

TEKA



User Manual
RTF 3210

EN ES FR PT

www.teka.com





Contents

Important safety instructions	2
Environmental protection.....	5
Install Instruction	6
Doors reversal	7
Leveling feet.....	8
Changing the light	8
Moving the appliance.....	8
Tips for energy saving	9
Product overview	10
Parts and functions.....	10
Operation Instructions	11
Use and functions	11
Storing food.....	13
Maintenance and cleaning.....	14
Troubleshooting.....	16
Technical specifications	18
Appendix	19
Special for new European standard	19

Before switching on the appliance for the first time read the following safety hints!

- > This appliance is intended to be used in household and similar applications such as staff kitchen areas in shops, offices and other working environments; farm houses and by clients in hotels, motels and other residential type environments; bed and breakfast type environments; catering and similar non-retail applications.
- > This appliance is not intended for use by persons (including children) with reduced physical, sensory or mental capabilities, or lack of experience and knowledge, unless they have been given supervision or instruction concerning use of the appliance by a person responsible for their safety.

Explanation of terms/symbols

	DANGER This symbol indicates that there are dangers to the life and health of persons due to extremely flammable gas.
	WARNING The signal word indicates a hazard with a medium level of risk which, if not avoided, may result in death or serious injury.
	CAUTION The signal word indicates a hazard with a low degree of risk which, if not avoided, may result in minor or moderate injury.
	ATTENTION The signal word indicates important information (e.g. damage to property), but not danger.

IMPORTANT: Pay particular attention to messages that contain the words **DANGER**, **WARNING** or **CAUTION**. These words are used to alert you to a potential hazard that can seriously injure you and others.

The instructions will tell you how to reduce the chance of injury and let you know what can happen if the instructions are not followed.

ATTENTION: These operating instructions are general. This means that certain functions apply to your refrigerator/freezer, while others do not.

We are constantly working on the further development and improvement of our appliance types and models. Therefore, we reserve the right to make changes to the design, equipment and accessories of all types and models without prior notice.

IMPORTANT SAFETY INSTRUCTIONS

READ AND SAVE THESE INSTRUCTIONS!



WARNING: Risk of fire / flammable material

Refrigerant and cyclopentane foaming material used for the appliance are flammable. Therefore, when the appliance is scrapped, it shall be kept away from any fire source and be recovered by a special recovering company with corresponding qualification other than be disposed by combustion, so as to prevent damage to the environment or any other harm



WARNING

General Safety

- > Children should be supervised to ensure that they do not play with the appliance.
- > If the supply cord is damaged, it must be replaced by the manufacturer, its service agent or similarly qualified persons in order to avoid a hazard.
- > Do not store explosive substances such as aerosol cans with a flammable propellant in this appliance.
- > The appliance has to be unplugged after use and before carrying out user maintenance on the appliance.
- > **WARNING:** Keep ventilation openings, in the appliance enclosure or in the built-in structure, clear of obstruction.
- > **WARNING:** Do not use mechanical devices or other means to accelerate the defrosting process, other than those recommended by the manufacturer.
- > **WARNING:** Do not damage the refrigerant circuit.
- > **WARNING:** Do not use electrical appliances inside the food storage compartments of the appliance, unless they are of the type recommended by the manufacturer.
- > **WARNING:** Please abandon the refrigerator according to local regulators for its use flammable blowing gas and refrigerant.
- > **WARNING:** When positioning the appliance, ensure the supply cord is not trapped or damaged.
- > **WARNING:** Do not locate multiple portable socket-outlets or portable power supplies at the rear of the appliance.
- > Do not use extension cords or ungrounded (two prong) adapters.
- > To avoid a hazard due to instability of the appliance, it must be fixed in accordance with the instructions.
- > The refrigerator must be disconnected from the source of electrical supply before attempting the installation of accessory. Ensure that the power cable is not trapped by the refrigerator. Do not step on the power cable.
- > For a freestanding appliance: this refrigerating appliance is not intended to be used as a built-in appliance.



CAUTION

Daily use

- > Do not pull the power cord when pulling the power plug of the refrigerator. Please firmly grasp the plug and pull out it from the socket directly.
- > To ensure safe use, do not damage the power cord or use the power cord when it is damaged or worn.
- > Please use a dedicated power socket and the power socket shall not be shared with other electrical appliances.
- > The power plug should be firmly contacted with the socket or else fires might be caused.
- > Please ensure that the grounding electrode of the power socket is equipped with a reliable grounding line.
- > Please turn off the valve of the leaking gas and then open the doors and windows in case of leakage of gas and other flammable gases.
- > Do not unplug the refrigerator and other electrical appliances considering that spark may cause a fire.
- > Do not use electrical appliances on the top of the appliance, unless they are of the type recommended by the manufacturer.
- > The gaps between refrigerator doors and between doors and refrigerator body are small, be noted not to put your hand in these areas to prevent from squeezing the finger. Please be gentle when close the refrigerator door to avoid falling articles.
- > Do not pick foods or containers with wet hands in the freezing chamber when the refrigerator is running, especially metal containers in order to avoid frostbite.
- > Do not allow any child to get into or climb the refrigerator; otherwise suffocation or falling injury of the child may be caused.
- > Do not place heavy objects on the top of the refrigerator considering that objectives may fall when close or open the door, and accidental injuries might be caused.
- > Do not put flammable, explosive, volatile and highly corrosive items in the refrigerator to prevent damages to the product or fire accidents.
- > Do not place flammable items near the refrigerator to avoid fires.
- > The refrigerator is intended for household use, such as storage of foods; it shall not be used for other purposes, such as storage of blood, drugs or biological products, etc.
- > Do not store beer, beverage or other fluid contained in bottles or enclosed containers in the freezing chamber of the refrigerator; or otherwise the bottles or enclosed containers may crack due to freezing to cause damages.



WARNING

- > Connect to potable water supply only. (Suitable for ice cube maker) (*)
- > To prevent children from being entrapped, the keys must be kept out of reach of children and not in the vicinity of chest freezer (or refrigerator) (suitable for products with locks).(*)

(*) : This feature varies depending on the model purchased.



WARNING

For EU standard:

This appliance can be used by children aged from 8 years and above and persons with reduced physical, sensory or mental capabilities or lack of experience and knowledge if they have been given supervision or instruction concerning use of the appliance in a safe way and understand the hazards involved. Children shall not play with the appliance. Cleaning and user maintenance shall not be made by children without supervision.

To avoid contamination of food, please respect the following instructions:

- Opening the door for long periods can cause a significant increase of the temperature in the compartments of the appliance.
- Clean regularly surfaces that can come in contact with food and accessible drainage systems.
- Clean water tanks if they have not been used for 48h; flush the water system connected to a water supply if water has not been drawn for 5 days. **(Note 1)(*)**
- Store raw meat and fish in suitable containers in the refrigerator, so that it is not in contact with or drip onto other food.
- Two-star frozen-food compartments are suitable for storing pre-frozen food, storing or making ice-cream and making ice cubes. **(Note 2)(*)**
- 1 star, 2 star and 3 star compartments are not suitable for the freezing of fresh food. **(note 3)(*)**
- For appliances without a 4-star compartment: this refrigerating appliance is not suitable for freezing foodstuffs. **(note 4)(*)**
- If the refrigerating appliance is left empty for long periods, switch off, defrost, clean, dry, and leave the door open to prevent mould developing within the appliance.

Note 1,2,3,4: Please confirm whether it is applicable according to your product compartment type.

(*): This feature varies depending on the model purchased.



"4 star" symbol: Freezer at -18 °C or colder, and it has the ability of quick freezing a certain amount of food



"3 star" symbol: Freezer compartment at -18 °C or colder



"2 star" symbol: Freezer compartment at -12 °C or colder



"1 star" symbol: Freezer compartment with a target temperature and storage conditions of -6 °C



CAUTION

This product is not recommended for use with sockets or main switch with the A/GFCI function, otherwise it may cause false tripping.

1. It's not pose a safety risk when tripped.
2. If tripping persists, it is recommended to replace the sockets or main switch without a/gfci function.



WARNING

Risk of child entrapment. Before you throw away your old refrigerator or freezer:

- > Take off the doors.
- > Leave the shelves in place so that children may not easily climb inside.

ENVIRONMENTAL PROTECTION

Disposing of old electrical devices in an environmentally-friendly manner



This crossed-out wheeled bin symbol indicates that waste electrical and electronic products (WEEE) should be disposed of separately from the municipal waste stream.

Old electrical products can contain hazardous substances so correct disposal of your old appliance will help prevent potential negative consequences for the environment and human health. Your old appliance may contain reusable parts that could be used to repair other products, and other valuable materials that can be recycled to conserve limited resources.

Package information



Packaging materials of the product are manufactured from recyclable materials in accordance with our National Environment Regulations. Do not dispose of the packaging materials together with the domestic or other wastes. Take them to the packaging material collection points designated by the local authorities.



CAUTION

Refrigerant and cyclopentane foaming material used for the refrigerator are flammable. Therefore, when the refrigerator is scrapped, it shall be kept away from any fire source and be recovered by a special recovering company with corresponding qualification other than be disposed by combustion, so as to prevent damage to the environment or any other harm.

INSTALL INSTRUCTION

Before first use

Remove the exterior and interior packing, wipe the outside thoroughly with a soft dry cloth and the inside with a wet, lukewarm cloth.

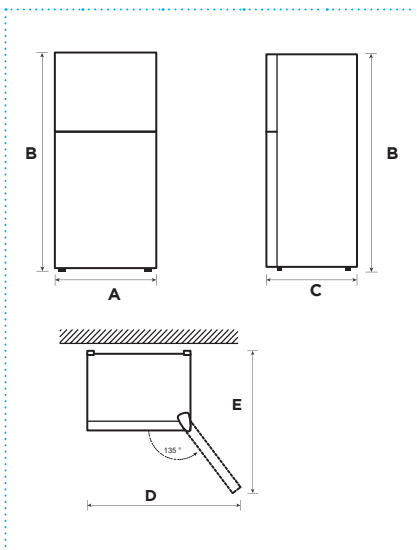
Avoid placing the cabinet in a narrow recess or near any heat source, direct sunlight, or moisture.

Let air circulate freely around the cabinet. When installing the unit, ensure that 10 cm of free space is left at both sides, 10 cm at the top of the unit and not more than 7.5 cm at the rear of the unit.

Before connecting your refrigerator to the power supply, check that the voltage stated on the rating label of your appliance corresponds to the voltage in your home. A different voltage could damage the appliance.

The appliance must be grounded. The manufacturer is not responsible for damages that may occur as a result of usage without grounding.

Space requirement diagram

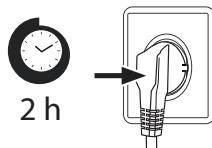


A	B	C	D	E
550	1590	550	902	1052

Notice: All dimensions in mm

Connecting the appliance

After installing the product, please let it stay for more than 2 hours before turning on the power, otherwise it will lead to a decrease in cooling capacity or a damage to the product.



Allow the appliance to run empty for 2-3 hours (4 hours in summer when the ambient temperature is high), so the compartment can cool to the appropriate temperature.

CAUTION

The refrigerator should always be plugged into its own individual electrical outlet which has a voltage rating that matches the rating plate. When positioning the appliance, ensure the supply cord is not trapped or damaged.

Ambient Temperature

Depending on the climate class, this refrigerator is intended to be used at an ambient temperature range as specified in the following table.

The product may not operate properly at temperatures outside of the specific range.

You can find the climate class on the product label.

Climate Class	Ambient Temperature
SN	+10 °C to +32 °C
N	+16 °C to +32 °C
ST	+16 °C to +38 °C
T	+16 °C to +43 °C

If you have any doubts regarding installation, please turn to the vendor, to our customer service or to the nearest Authorised Service Centre.

ATTENTION

The cooling performance and power consumption of the refrigerator may be affected by the ambient temperature, the door-opening frequency, and the location of the refrigerator. We recommend adjusting the temperature settings as appropriate.

Doors reversal

Based on the location where you plan to use your refrigerator, you may find it more convenient to reverse the position of the door.

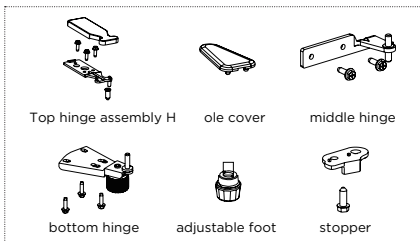
ATTENTION

To avoid injury to yourself or your property, we recommend that someone assist you during the door reversal process.

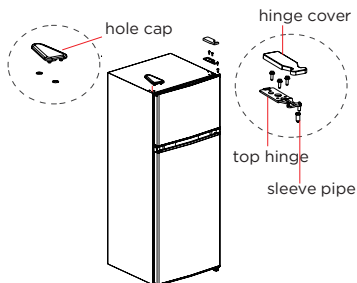
You will need: A standard screwdriver, a Phillips screwdriver.

- > Make sure that your refrigerator is unplugged and empty.
- > Have someone available to assist you in the process.
- > Keep all of the parts you remove to reuse them later.

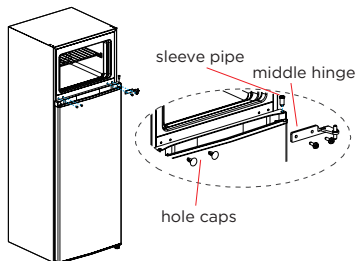
Parts already mounted on the door (as shipped):



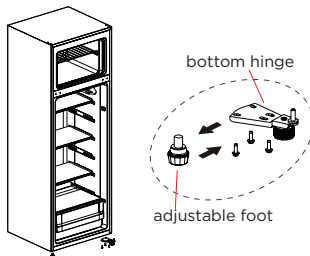
1. Power off the refrigerator, and remove all objects from the door trays.
2. Take off top hinge cover, top hinge ,the sleeve pipe of freezer door and hole cap on the other side.



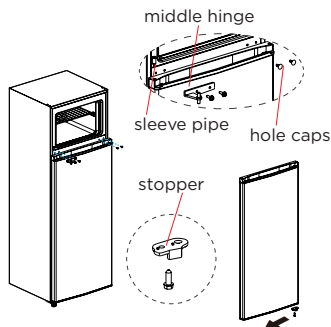
3. Take off freezer chamber door middle hinge, the sleeve pipe of refrigerating door and hole caps on the other side.



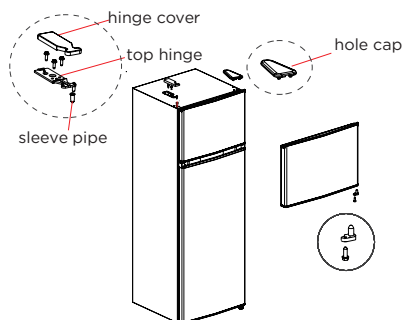
4. Remove the refrigerating door remove the bottom hinge and adjustable foot on the other side.
5. Assemble the bottom hinge assembly and adjustable foot on other side.



6. Assemble the stopper of the refrigerating door on the other side.
7. Put the refrigerating door on bottom hinge , assemble the middle hinge , hole caps and the sleeve pipe of refrigerating door.



8. Assemble the stopper of the freezer door on the other side.
9. Put the freezer door on the middle hinge, assemble the top hinge, the top hinge cover assemble the sleeve pipe of the freezer door and hole cap on the other side.



ATTENTION

Differences: Due to technical changes and different models, some of the illustrations in this manual may differ from your model.



Leveling feet

To avoid vibration, the appliance must be leveled.

If required, adjust the leveling feet to compensate for the uneven floor.

The front should be slightly higher than the rear to aid in door closing.

Leveling feet can be turned easily by tipping the cabinet slightly.

Turn the leveling feet counter clockwise  to raise the unit, clockwise  to lower it.

Changing the light

Any replacement or maintenance of the LED lamps is intended to be made by the manufacturer, its service agent or similar qualified person.

After connecting the power supply cord (or plug) to the outlet, wait 2 or 3 hours before you put food into the appliance. If you add food before the appliance has cooled completely, your food may spoil.

Moving the appliance

1. Remove all items from the appliance.
2. Pull the power plug out, insert and fix it into the power plug hook at the rear or on top of the appliance.
3. Tape parts such as shelves and the door to prevent from falling off while moving the appliance.
4. Move the appliance with more than two people carefully. When transporting the appliance over a long distance, keep the appliance upright.

Tips for energy saving

Do not place the appliance near cookers, radiators or other heat sources. If the ambient temperature is high, the compressor will run more frequently and for longer, resulting in increased energy consumption.

Ensure that there is sufficient ventilation at the base of the appliance, on the sides of the appliance and at the back of the appliance.

Please also observe the spacing dimensions in the chapter "Installation".

The arrangement of drawers, shelves and trays as shown in the product overview offers the most efficient use of energy and should be retained as far as possible.

To obtain a larger storage space (e.g. for large refrigerated/frozen goods), the middle drawers and shelves can be removed. The top and bottom drawers and shelves should be removed last if necessary.

An evenly filled refrigerator/freezer compartment contributes to optimal energy use.

Allow warm food to cool before placing it in the refrigerator/freezer compartment. Food that has already cooled down increases energy efficiency.

Allow frozen food to defrost in the refrigeration compartment. The coldness of the frozen food reduces the energy consumption in the refrigerator compartment and thus increases the energy efficiency.

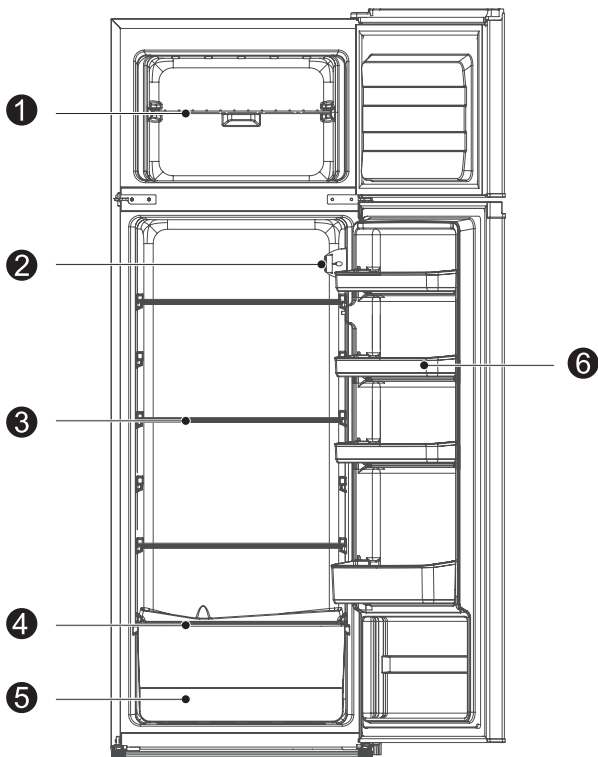
Open the door only as briefly as necessary to minimise cold loss. Opening the door briefly and closing it properly reduces energy consumption.

Setting the temperature no colder than necessary contributes to optimal energy use.

The door gaskets of your appliance must be perfectly intact so that the doors close properly and energy consumption is not increased unnecessarily.

PRODUCT OVERVIEW

Parts and functions



- | | | | |
|---|--------------------------|---|---------------------------|
| 1 | Shelf | 4 | Crisper cover |
| 2 | Temperature control knob | 5 | Fruits and vegetables box |
| 3 | Shelf | 6 | Door tray |

- > For the most efficient use of energy, please keep the all internal items such as trays, drawers, shelves and ice cube box on the position supplied by manufacturer.
- > This refrigerating appliance needs to be installed independently and cannot be used as a built-in. Otherwise, it will cause problems such the performance and life of the appliance are reduced. And the manufacturer does not provide basic appliance warrant.

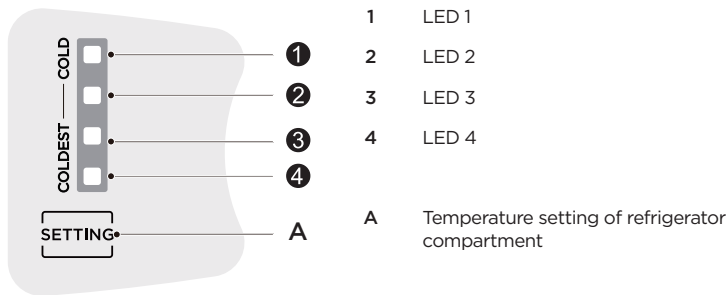
ATTENTION

Differences: Due to technical changes and different models, some of the illustrations in this manual may differ from your model.

OPERATION INSTRUCTIONS

Use and functions

Functions



ATTENTION

The actual control panel may differ from model to model.

Display

Once initially powered on, all LED lights turn on for 2 seconds, and then the refrigerator runs at the default setting (LED3 light is on).

In case of no failures, it shows the actual temperature setting of refrigerator.

In case of a failure, the corresponding LED blinks.

The fault code display will disappear after 30min. if you need to re-display the fault code, please disconnect the power supply and then power it back on.

Fault Code	Fault Description
LED1 / LED3 flashing	Ambient temperature sensor fault
LED1 / LED2 / LED4 flashing	Refrigerating defrost sensor fault

Temperature setting

Each time the temperature setting button A is pressed once, the temperature setting changes one time. After the temperature setting has been completed, the refrigerator will run according to the set value after 30s.

The shift regulation is:



Super freeze mode

Long press temperature setting button for 6s, it will enter Super freeze mode after 30s, and LED3 and LED4 turn on at the same time.

After running for 40 hours at Super freeze mode or the setting button is pressed, it will quit the Super freeze mode, then go back to the previous setting.

It is suggested to turn on super freeze mode for 12 hours before placing large amount of frozen food in freezer compartment at one time.

Super cool mode

Long press temperature setting button for 3s, it will enter Super cool mode after 30s, and LED1 and LED2 turn on at the same time.

After running for 6 hours at Super cool mode or the setting button is pressed, it will quit the Super cool mode, then go back to the previous setting.

Standby mode

Press and hold the setting button for 10s, all LEDs on the control panel will turn off, and the Standby mode will be activated after 30 seconds. Once in standby mode, press the setting button again to turn on all LEDs and exit the mode.

The refrigerator stops working and lamp turns off automatically in the standby mode.

ATTENTION

The Super freeze function is designed to maintain the nutritional value of the food in the freezer. It can freeze the food in the shortest time. If a large amount of food is frozen at one time, it is recommended that the user turn on the Super freeze function and put the food in. At this time, the freezing speed of the freezer compartment is increased, which can quickly freeze the food, effectively lock the nutrition of the food, and facilitate storage.

Storing food

Freezer compartment

The freezer compartment is designated for the low-temperature freezing of food, long-term storage of frozen food, and for the production of ice cubes.

Pay attention to the star classifications (4 star, 2 star and 1 star) in the freezer compartment and the resulting storage periods for frozen food.

Do not put fresh and frozen food next to each other. The frozen food may thaw.

When freezing large amounts of fresh food (such as meat, fish or chopped meat), please divide them into several small pieces before putting in, so that they can be quickly frozen and pick up easily.

Abide by the storage times recommended by food manufacturers on the packages, there is no information on the packaging, food should not be stored frozen for longer than three months from the date of purchase.

When purchasing frozen food, make sure that it was frozen at a suitable temperature and that the packaging is not damaged.

Frozen food should be kept in suitable individual packages to ensure that adjacent food cannot be contaminated. Consume thawed and defrosted foods immediately, do not refreeze them.

In case of prolonged power failure or malfunction of the appliance, remove the stored frozen food and check whether they are still edible, then store them in a sufficiently cool place or in another appliance.

To defrost food, remove it from the freezer and let it defrost at room temperature or in the refrigerator. To defrost food quickly, you can use the defrost function on your microwave, for example.

If you only want to defrost part of a pack, remove the portion you need and immediately close the rest of the pack. In this way, you will avoid "freezer burn" and will reduce ice formation on the remaining foods.

Cooling compartment

To reduce moisture and subsequent ice build-up, never put liquid into the fridge compartment in unsealed containers. Frost tends to concentrate in the coolest parts of the evaporator. Storing uncovered liquids results in a more frequent need for defrosting.

Never put warm foods in the fridge compartment. These should first cool down at room temperature and then be placed so as to ensure adequate air circulation in the fridge compartment.

Foods or food containers should not touch the back wall of the fridge because they could freeze to the wall. Do not keep regularly opening the door of the refrigerator.

Meat and clean fish (packed in a package or plastic foil) can be placed in the fridge compartment, which can be used in 1-2 days.

Fruit and vegetables without packaging can be placed in the part designated for fresh fruit and vegetables

ATTENTION

Storage of too much food during operation after the initial connection to power may adversely affect the freezing effect of the refrigerator.

Storage times and temperature

Note: Overlong storage or storage at inappropriate freezing temperature may cause a quality loss or spoiled foods, which causes food waste, is inedible and may cause food poisoning. The minimum temperature in most cases should be -18°C or colder. Follow the maximum recommended storage times below:

- > Stew, ice cream, sausages, bread: 2-6 months.
- > Fish, shrimp, lamb, meat: 4-8 months.
- > Vegetables, fruits, poultry, beef: 6-12 months.

MAINTENANCE AND CLEANING



CAUTION

Disconnect the appliance from the electrical supply before undertaking any routine maintenance. Allow at least 5 minutes before restarting the appliance, as frequent starting may damage the compressor.

Do not use mechanical devices or other means to accelerate the defrosting process, other than those recommended by the manufacturer.

Do not try to repair, disassemble or modify the appliance by yourself. In case of repair please contact our customer service.

Eliminate the dust on the back of the unit at least once in the year to avoid hazard by fire, as well as increased energy consumption.

Check the door gasket regularly to make sure there are no debris. Clean the door gasket with a soft cloth dampened with soapy water or diluted detergent.

The interior of the product should be cleaned regularly to avoid odor.

Use a soft cloth or sponge to clean the inside of the product, with two tablespoons of baking soda and a quart of warm water. Then rinse with water and wipe clean. After cleaning, open the door and let it dry naturally before turning on the power.

For areas that are difficult to clean in the product (such as narrow sandwiches, gaps or corners), it is recommended to wipe them regularly with a soft rag, soft brush, etc. and when necessary, combined with some auxiliary tools (such as thin sticks) to ensure no contaminants or bacterials accumulation in these areas.

Wipe the outer surface of the product with a soft cloth dampened with soapy water, detergent, etc., and then wipe dry.

Do not use hard brushes, clean steel balls, wire brushes, abrasives (such as toothpastes), organic solvents (such as alcohol, acetone, Isoamyl acetate, etc.), boiling water, acid or alkaline items, which may damage the fridge surface and interior. Boiling water and organic solvents such as benzene may deform or damage plastic parts.



Do not rinse directly with water or other liquids during cleaning to avoid short circuits or affect electrical insulation after immersion.

ATTENTION

The appliance shall run continuously once it is started. Generally, the operation of the appliance shall not be interrupted; otherwise the service life may be impaired

Defrosting

Refrigerator compartment

While the refrigerating unit is running, beads of condensation or hoarfrost form at the back of the refrigerator compartment. This is normal. It is not necessary to wipe off the condensation or frost. The condensation runs into the condensation channel and is conveyed to the refrigerating unit where it evaporates.

Note: Keep the condensation channel and drainage hole clean, so that the condensation can run out.

Defrosting the freezer compartment

The freezer compartment does not defrost automatically, otherwise the frozen food would start thawing.

A layer of frost in the freezer compartment impairs refrigeration of the frozen food and increases power consumption. Remove the layer of hoarfrost regularly.

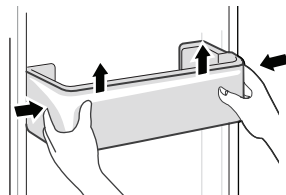
WARNING: Do not scrape off hoarfrost or ice with a knife or pointed object. Doing this may damage the refrigerant tubes.

1. Remove the frozen food and place temporarily in a cool location.
2. Disconnect the mains plug from the mains socket.
3. To accelerate the defrosting process, place a pan of hot water on a stand in the freezer compartment.
4. Wipe up condensation with a cloth or sponge.
5. Wipe dry the freezer compartment.
6. Plug in the appliance and adjust the temperature control knob as desired.
7. Put the frozen food back in the freezer compartment.

Cleaning of door tray

According to the direction arrow in the figure below, use both hands to squeeze the tray, and push it upward, then you can take it out.

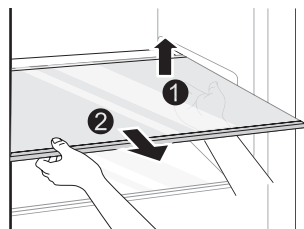
After washing the tray having been taken out, you can adjust its installing height in accordance with your requirement.



Cleaning of glass shelf

As the innermost part of the refrigerator liner where contacting the shelves has a backstop, you shall raise the shelves upward, then you can be able to take it out.

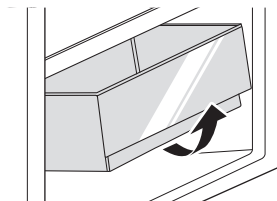
Adjust or clean the shelves according to your requirement.



Cleaning the vegetable drawer

Remove the contents of the drawer. Hold the handle of the vegetable drawer and pull it out completely until it stops.

Lift the vegetable drawer up and remove it by pulling it out.



ATTENTION

Differences: Due to technical changes and different models, some of the illustrations in this manual may differ from your model.

TROUBLESHOOTING

The following simple issues can be handled by the user. Please call the after-sale service department if the issues are not solved.

Problem	Possible Causes	Solution
Not operate	<ul style="list-style-type: none"> The power supply is not turned on and the plug is not firmly inserted. Low voltage, power failure or part of the circuit tripped. 	<ul style="list-style-type: none"> Insert the power cord plug firmly. Check the power supply at home.
Light not on	<ul style="list-style-type: none"> The appliance is not powered on. The light is broken. 	<ul style="list-style-type: none"> Unplug and re-plug the power cord. Replace the light with a new one.
Fruits or vegetables are frozen	<ul style="list-style-type: none"> Has the food been placed at the back of the fridge? The area near the back wall is where the temperatures are coldest. Fruits or vegetables are stored in the Fresh/Chill zone. 	<ul style="list-style-type: none"> Not placing food which may freeze easily at the back of the fridge compartment. The Fresh/Chill zone is only for meat/fish.
Fridge/freezer is over-cooling	<ul style="list-style-type: none"> Temperature control is not set correctly. 	<ul style="list-style-type: none"> Set the temperature higher.
Compressor working for a long time	<ul style="list-style-type: none"> High ambient temperature causing long working time. Putting too much food in at one time. Food is put in before it has cooled down. Opening the door too often. The frost layer inside is too thick. 	<ul style="list-style-type: none"> This is normal. Do not put too much food in at one time. Wait until the food has cooled down before putting it in. Do not open the door too often. Need to defrost.
Door does not close properly	<ul style="list-style-type: none"> Door is stuck with objects. Too much food in. Door gasket deformed. 	<ul style="list-style-type: none"> Do not put in too much food. Place the appliance stably. Heat the door gasket, then cool it for restoration (with an electrical drier or hot water for heating).
Outer wall is hot	<ul style="list-style-type: none"> When the appliance is operating, heat is dissipated to the outside through the metal tubes inside the cabinet. Higher ambient temperatures in the summer cause the temperature of the outer wall to rise. 	<ul style="list-style-type: none"> Higher temperature on the outer wall is normal. Increase the heat dissipation space, or put the appliance in a ventilated and cool place.
Cross or vertical beams are hot	<ul style="list-style-type: none"> There are metal tubes inside the beams, and the heat released from the tubes prevents condensation. 	<ul style="list-style-type: none"> This is normal.
Odors	<ul style="list-style-type: none"> Spoiled food Food with strong odors The interior compartment is dirty. 	<ul style="list-style-type: none"> Clean and remove any spoiled food. Make sure strong smelling food is wrapped airtight. Clean the interior compartment.
The actual temperature differs from the set temperature	<ul style="list-style-type: none"> When warm food is put in, the temperature will rise temporarily. After setting a new temperature, it will take some time for the temperature in the compartment to reach the set temperature when the door is not opened. After the temperature stability, the actual temperatures at different locations within the compartment are different, with a deviation of about $\pm 3^{\circ}\text{C}$. 	<ul style="list-style-type: none"> This is normal. Wait for some time before testing the actual temperature.

Problem	Possible Causes	Solution
Condensation forms on the outside	<ul style="list-style-type: none"> Condensation may form when the humidity in the room is high. 	<ul style="list-style-type: none"> This is normal. Wipe off the condensation using a dry cloth.
Condensation forms inside the fridge and drawers	<ul style="list-style-type: none"> The fridge maintains a high humidity to keep vegetables and other food items fresh. Humidity is too high in the room and doors have been opened frequently. The door gasket are not tight. 	<ul style="list-style-type: none"> Wipe off the condensation using a dry cloth. Do not open doors as frequently or do not keep them open too long. Check the door gasket, clean or correct position.
Frost around the vents	<ul style="list-style-type: none"> Door is not closed properly. The door gasket are not tight. 	<ul style="list-style-type: none"> Make sure food does not block the door. Check the door gasket, clean or correct position.
Hard to open the door	<ul style="list-style-type: none"> The difference in air pressure between the inside and outside of the compartment may sometimes make it hard to open the freezer door. 	<ul style="list-style-type: none"> Wait a few moments, and then try to open the door slowly.

Certain sounds can be heard during normal use of the refrigerator, which do not affect its correct operation.

Sounds, which can be easily prevented:

- > Noise caused by the appliance which is not level - adjust the position with the adjustable turn-in front feet. Alternatively, place pads made of soft material under the rear rollers, especially when the appliance is placed on tiles.
- > Touching the adjacent piece of furniture - move the refrigerator away.
- > Creaking of the drawers or shelves - take out and put back the drawer or shelf.
- > Sounds of clinking bottles - move bottles apart.

Sounds heard during normal use are mainly due to operation of the compressor (switching on) and cooling, system (thermal expansion and contraction of the radiator caused by flow of the cooling agent).

TECHNICAL SPECIFICATIONS

Brand	TEKA
Model	RTF 3210
Category	Refrigerator-freezer
Energy Class	E
Energy consump on of kWh per year, based on standard test results of 24 hours. The actual energy consump on will depend on the mode of use of the apparatus and loca on.	177kWh/year
Volume of fridge (L)	194.0L
Volume of star compartment (L)	❄️ ❄️ ❄️
Volume of freezer (L)	41.0L
Volume of other compartments (L)	/
Defrosting type, fridge compartment	Manual defrost
Defrosting type, freezer compartment	Manual defrost
Temperature rise value(h)	8h
Freezing Capacity(kg/24h)	2kg/24h
Climate Class	SN/N/ST
This appliance is intended to be used at an ambient temperature between 10 °C and 38 °C.	
Noise db(A)	40db(A)

APPENDIX

Special for new European standard

The ordered parts in the following table can be acquired from Service provider channel

Ordered part	Provided by	Minimum time required for Provision
Thermostats	Professional maintenance personnel	At least 7 years after the last model is launched on the market
Temperature sensors	Professional maintenance personnel	At least 7 years after the last model is launched on the market
Printed circuit boards	Professional maintenance personnel	At least 7 years after the last model is launched on the market
Light sources	Professional maintenance personnel	At least 7 years after the last model is launched on the market
Door handles	Professional repairers and final users	At least 7 years after the last model is launched on the market
Door hinges	Professional repairers and final users	At least 7 years after the last model is launched on the market
Trays	Professional repairers and final users	At least 7 years after the last model is launched on the market
Baskets	Professional repairers and final users	At least 7 years after the last model is launched on the market
Door gaskets	Professional repairers and final users	At least 10 years after the last model is launched on the market

Dear customer

1. If you want to return or replace the product, please contact the store where you buy.
(Remember to bring the purchase invoice)
2. If your product breaks down which needs to repair, please contact after-sales service provider.

ATTENTION

The model information in the product database, as well as the model identifier, can be obtained through a weblink scanned by a QR code, if any, on the energy efficiency label of the product.

For more information about the energy efficiency of the appliance, visit <https://ec.europa.eu> and search using the model name.

The model name can be found on the rating label of the appliance.

ÍNDICE



1 **ADVERTENCIAS DE SEGURIDAD**

8 **DISPOSICIÓN DE ELIMINACIÓN**

9 **DIAGRAMA DEL PRODUCTO**

10 **INSTALACIÓN**

17 **INSTRUCCIONES DE USO**

21 **LIMPIEZA Y MANTENIMIENTO**

23 **SOLUCIÓN DE PROBLEMAS**

25 **APÉNDICE**

ADVERTENCIAS DE SEGURIDAD

Uso previsto







Antes de encender el aparato por primera vez, lea las siguientes indicaciones de seguridad.

Este aparato está diseñado para ser utilizado en entornos domésticos y similares, como áreas de cocina del personal en tiendas, oficinas y otros entornos de trabajo; Casas rurales y por clientes en hoteles, moteles y otros entornos de tipo residencial; ambientes tipo bed&breakfast; Catering y aplicaciones similares no minoristas.

Si el aparato se utiliza con fines comerciales o para otros fines que no sean la refrigeración de alimentos, tenga en cuenta que el fabricante no se hace responsable de ningún daño.

Por motivos de seguridad, no está permitido realizar modificaciones o alteraciones en el aparato.

Explicación de símbolos

	Peligro Este símbolo indica que existen peligros para la vida y la salud de las personas debido al gas extremadamente inflamable.
	Advertencia de tensión eléctrica Este símbolo indica que existe peligro para la vida y la salud de las personas debido a una alta tensión.
	Advertencia Este símbolo indica una situación potencialmente peligrosa que, de no evitarse, puede provocar la muerte o lesiones graves.
	Atención Este símbolo indica una situación potencialmente peligrosa que puede resultar en lesiones moderadas o leves.
	Nota Este símbolo indica información importante (p.ej. daño a la propiedad), pero no peligro.
	Observe las instrucciones Este símbolo indica que sólo el servicio técnico debe utilizar y mantener este aparato de acuerdo con las instrucciones de funcionamiento.

Lea detenida y atentamente este manual de instrucciones antes de utilizar/poner en servicio el aparato y consérvolo en las inmediaciones del lugar de instalación o del aparato para su uso posterior.



Advertencia

Riesgo de fuego/materiales inflamables

Este símbolo le avisa de materiales inflamables que pueden prenderse y provocar un incendio si no tiene cuidado.

- El refrigerante y el material de espuma de ciclopentano utilizados para el frigorífico son inflamables. Por lo tanto, cuando se deseche el frigorífico, debe mantenerse alejado de cualquier fuente de fuego y ser recuperado por una empresa especializada con la calificación correspondiente, y nunca debe eliminarse por combustión, para evitar daños al medio ambiente o cualquier otro riesgo.

Advertencia

- En el caso de frigoríficos con puertas o tapas provistas de cerraduras y llaves, mantenga las llaves fuera del alcance de los niños para evitar que éstos se queden encerrados en su interior.
- Evite cualquier obstrucción de las aberturas de ventilación del interior de la carcasa del aparato o en la estructura incorporada.
- No utilice dispositivos mecánicos u otros medios para acelerar el proceso de descongelación que no sean los recomendados por el fabricante.
- No dañe el circuito del refrigerante.
- No utilice aparatos eléctricos dentro de los compartimentos de almacenamiento de alimentos del aparato, a menos que sean del tipo recomendado por el fabricante.
- Deseche el frigorífico de acuerdo con la normativa local, ya que emplea gas inflamable y refrigerante.
- Para evitar riesgos debidos a la inestabilidad del aparato, éste debe fijarse de acuerdo con las instrucciones.
- Para aparatos de libre instalación: este frigorífico no está destinado a ser utilizado como aparato integrado.



Advertencia: Descarga eléctrica

Una instalación eléctrica incorrecta o una tensión de red excesiva pueden provocar descargas eléctricas.

- Conecte su frigorífico únicamente a una toma de corriente con toma de tierra instalada correctamente si la tensión de red de la toma de corriente se corresponde con la especificada en la etiqueta de características técnicas*.
- No utilice alargadores ni adaptadores sin toma de tierra (de dos clavijas).
- Asegúrese de que todos los cables eléctricos fuera del aparato estén protegidos contra daños (por ejemplo, por animales o bordes afilados). Al colocar el equipo, asegúrese de que el cable de alimentación no esté atrapado o dañado.
- No coloque varias tomas de corriente portátiles o fuentes de alimentación portátiles en la parte trasera del aparato.
- Una alimentación eléctrica inadecuada puede provocar un incendio o descargas eléctricas.
- Evite las sobrecargas eléctricas. Desconecte el enchufe de la toma de corriente antes de realizar trabajos de cuidado, mantenimiento y reparación en el aparato.
- Apague el aparato y desenchúfelo de la toma de corriente cuando no lo utilice.
- Si el cable de alimentación está dañado, debe ser sustituido por el fabricante, su servicio técnico o personas con cualificación similar para evitar situaciones de peligro.
- Si los productos están equipados con LED, no retire usted mismo la cubierta de iluminación ni el LED. Cualquier sustitución o mantenimiento de las lámparas LED debe ser realizado por el fabricante, su agente de servicio o una persona similarmente cualificada.

No se recomienda utilizar este producto con enchufes o interruptores principales con la función A/GFCI, ya que de lo contrario podrían producirse desconexiones falsas.

- 1. No supone un riesgo para la seguridad cuando se desconecta.**
- 2. Si la desconexión persiste, se recomienda sustituir las tomas o el interruptor principal sin función a/gfci.**



Advertencia: Seguridad infantil

- Los niños deben ser supervisados para asegurarse de que no jueguen con el aparato.
- Destruya el cartón, las bolsas de plástico y cualquier material de embalaje exterior inmediatamente después de desembalar el producto.
- Los niños nunca deben utilizar estos artículos para jugar. Las cajas de cartón cubiertas con alfombras, colchas, sábanas de plástico o envoltorios elásticos pueden convertirse en cámaras herméticas y provocar rápidamente asfixia.
- Retire todas las grapas del cartón. Las grapas pueden causar cortes graves y destruir los acabados si entran en contacto con otros aparatos o muebles.

Existe riesgo de que los niños queden atrapados en el interior. Antes de tirar su viejo frigorífico o congelador:

- Quítele las puertas.
- Deje los estantes en su lugar para que los niños no puedan meterse fácilmente en el interior.



Atención: Riesgo de lesiones y daños.

- Nunca se coma alimentos congelados inmediatamente después de sacarlos del congelador.
- Evite el contacto prolongado de la piel con los alimentos congelados, el hielo y las tuberías del compartimento del congelador.
- No almacene, ni mantenga cerca del aparato, sustancias explosivas como latas de aerosol con carburante inflamable en este aparato.
- No guarde cerveza, bebidas u otros líquidos en botellas o recipientes herméticamente cerrados en el congelador.



Atención: Riesgo de lesiones

El incumplimiento de las instrucciones de seguridad puede provocar lesiones.

- Este dispositivo puede ser usado por niños de 8 años en adelante y personas con capacidades físicas, sensoriales o mentales reducidas o con falta de experiencia y conocimiento, siempre que se les proporcione supervisión o instrucciones sobre el uso del dispositivo de manera segura y que entiendan los peligros que su uso implica. Los niños no deben jugar con el aparato. La limpieza y el mantenimiento del usuario no deben ser realizados por niños sin supervisión.
- Los niños de 3 a 8 años de edad pueden cargar y descargar aparatos de refrigeración.



Advertencia

- Compruebe la etiqueta del compresor situada en la parte trasera del aparato o la etiqueta de características del interior del frigorífico para saber qué refrigerante se utiliza en su aparato. Cuando este producto contenga gas inflamable (refrigerante R-600a), póngase en contacto con las autoridades locales en relación con la eliminación segura de este producto.
- Al transportar y montar el aparato, asegúrese de que ninguna pieza del circuito de refrigerante resulte dañada.
- Para evitar la formación de una mezcla inflamable de gas y aire en caso de fuga en el circuito de refrigerante, la sala de instalación debe tener un tamaño mínimo de 1 m² por cada 8 g de refrigerante según la norma EN378. La cantidad de refrigerante de su producto figura en la placa de características.

Si el circuito de refrigerante está dañado:

- Evite a toda costa las llamas vivas y las fuentes de ignición.
- Ventile bien la habitación en la que se encuentre el aparato.



Atención

Para evitar la contaminación o desperdicio de los alimentos, tenga en cuenta las siguientes instrucciones:

- Abrir la puerta durante períodos prolongados puede provocar un aumento significativo de la temperatura en los compartimentos del aparato.
- Limpie regularmente las superficies que puedan entrar en contacto con alimentos y sistemas de drenaje accesibles.
- Limpie los tanques de agua si no se han utilizado durante 48 h; y enjuague los sistemas conectados al suministro de agua si no se ha extraído agua durante 5 días. (Nota 1)(*))
- Guarde la carne y el pescado crudos en recipientes adecuados en el frigorífico, de modo que no entren en contacto ni goteen sobre otros alimentos.
- Los compartimentos de alimentos congelados de dos estrellas son adecuados para almacenar alimentos precongelados, almacenar o hacer helados y hacer cubitos de hielo. (Nota 2)(*))
- Los compartimentos de una, dos y tres estrellas no son adecuados para la congelación de alimentos frescos. (Nota 3)(*))
- Los aparatos sin compartimento de 4 estrellas no son adecuados para congelar alimentos. (Nota 4)(*))
- Si el aparato de refrigeración se va a dejar vacío durante un período prolongado, apáguelo, descongélelo, límpielo, séquelo y deje la puerta abierta para evitar que se forme moho dentro del aparato.
- **Advertencia:** Llenar sólo con agua potable. (Apto para dispensador de agua)(*))
- **Advertencia:** Conectar sólo al suministro de agua potable. (Apto para máquina de hacer hielo)(*))



NOTA

(*): **Esta función varía en función del modelo adquirido.**

Nota 1,2,3,4: confirme si son aplicables según el tipo de compartimento de su producto



Atención

- El aparato no es apto para el almacenamiento y la refrigeración de medicamentos, plasma sanguíneo, preparados de laboratorio o sustancias y productos similares en virtud de la Directiva sobre productos sanitarios 2007/47/CE.
- Las piezas de plástico que entran en contacto con aceites/ácidos (animales o vegetales) durante un largo periodo de tiempo o con frecuencia envejecen más rápidamente y pueden agrietarse o romperse.
- Cuando sustituya la iluminación interior del producto, desenchúfelo siempre, de lo contrario existe riesgo de descarga eléctrica.
- Si la sustitución de la iluminación interior le resulta demasiado complicada, póngase en contacto con el servicio técnico.

Antes de su primer uso

El embalaje no debe presentar daños. Compruebe si el aparato ha sufrido daños durante el transporte.

No conecte bajo ningún concepto un aparato dañado. En caso de daños, póngase en contacto con el proveedor.

Retire la cubierta de transporte

El aparato y partes del interior están protegidos para el transporte. Puede retirar todas las cintas adhesivas de los lados derecho e izquierdo de la puerta del aparato, así como los restos de adhesivo con disolvente de limpieza. Retire también todas las cintas adhesivas y piezas de embalaje del interior del aparato.

Después del transporte, el aparato debe reposar durante 12 horas para que el refrigerante se acumule en el compresor. No cumplir esto podría dañar el compresor y, por tanto, provocar el deterioro del aparato.



Atención: Riesgo de daños

Configuración del aparato

- La temperatura ambiente afecta al consumo de energía y al correcto funcionamiento del aparato. Por lo tanto, el aparato debe colocarse en una habitación bien ventilada y seca con una temperatura ambiente correspondiente a la clase climática para la que se ha diseñado el aparato.
- No coloque el aparato al aire libre (por ejemplo, en un balcón, una terraza, una caseta de jardín, etc.).

No utilice cuchillos afilados ni objetos puntiagudos para abrir el aparato. Tenga en cuenta las indicaciones para la puesta en marcha: "Consejos para ahorrar energía"

Retire las puertas del aparato

- Si la unidad no cabe por la puerta del apartamento, se pueden desatornillar las puertas de la unidad.



NOTA

El desatornillado de las puertas de la unidad sólo puede ser realizado por el servicio técnico oficial.

Notas sobre la limpieza

Atención

Desconecte el aparato de la red eléctrica antes de limpiarlo.

- Debe limpiarse el polvo de detrás del frigorífico y del suelo regularmente para mejorar el efecto de refrigeración y ahorrar energía.
- Compruebe la goma de la puerta con regularidad para asegurarse de que no queda ningún resto o suciedad. Límpiela con un paño húmedo de agua y jabón o detergente diluido.
- El interior del frigorífico debe limpiarse a menudo para evitar olores.
- Desconecte el frigorífico de la corriente antes de limpiar el interior, y retire todos los alimentos, bebidas, estantes y cajones, etc...
- Use un paño suave o esponja para limpiar el interior del frigorífico, con una solución de agua caliente y dos cucharadas de bicarbonato sódico. Luego enjuáguelo y límpielo con un paño. Tras la limpieza, abra la puerta y deje que se seque al aire antes de volver a conectarlo a la corriente.
- Para zonas que sean más difíciles de limpiar (como ranuras estrechas, esquinas o recovecos), es recomendable limpiarlos a menudo con un paño o cepillo suaves y, si es necesario, ayudándose de otras herramientas (como algún palillo) para asegurar que no se acumulen contaminantes ni bacterias.
- No use jabón, detergente, polvos ni sprays, ya que pueden causar olores en el interior del frigorífico o contaminar los alimentos.
- Limpie el marco del botellero, los estantes y los cajones con un paño suave humedecido con agua y jabón o detergente diluido. Seque con un paño suave o deje que se seque al aire.
- Limpie la superficie exterior del frigorífico con un paño suave humedecido con agua y jabón o detergente, y luego séquela con un paño.
- No utilice cepillos duros, estropajos de aluminio, cepillos de metal, abrasivos (como dentífrico), disolventes orgánicos (como alcohol, acetona, etc.), agua hirviendo, soluciones ácidas o alcalinas ni nada que pueda dañar la superficie exterior o interior del frigorífico. El agua hirviendo o los disolventes orgánicos como el benceno pueden deformar o dañar las piezas de plástico.
- No enjuague directamente con agua ni otros líquidos durante la limpieza para evitar cortocircuitos ni afectar al aislamiento eléctrico por inmersión.

DISPOSICIÓN DE ELIMINACIÓN

Instrucciones importantes para el medio ambiente



ELIMINACIÓN: No elimine este producto como residuos municipales sin clasificar. Es necesario recoger estos residuos por separado para un tratamiento especial.

Según la directiva europea 2012/19/UE de residuos de aparatos eléctricos y electrónicos (RAEE), los electrodomésticos no pueden ser arrojados en los contenedores municipales habituales; tienen que ser recogidos selectivamente para optimizar la recuperación y reciclado de los componentes y materiales que los constituyan y reducir el impacto en la salud humana y el medio ambiente.

El símbolo del cubo de basura tachado se marca sobre todos los productos para recordar al consumidor la obligación de separarlos para la recogida selectiva. El consumidor debe contactar con la autoridad local o con el vendedor para informarse en relación a la correcta eliminación de su electrodoméstico.

Cumplimiento de la Directiva RoHS

El producto que ha adquirido cumple la Directiva RoHS de la UE (2011/65/UE). No contiene materiales nocivos y prohibidos especificados en la Directiva.

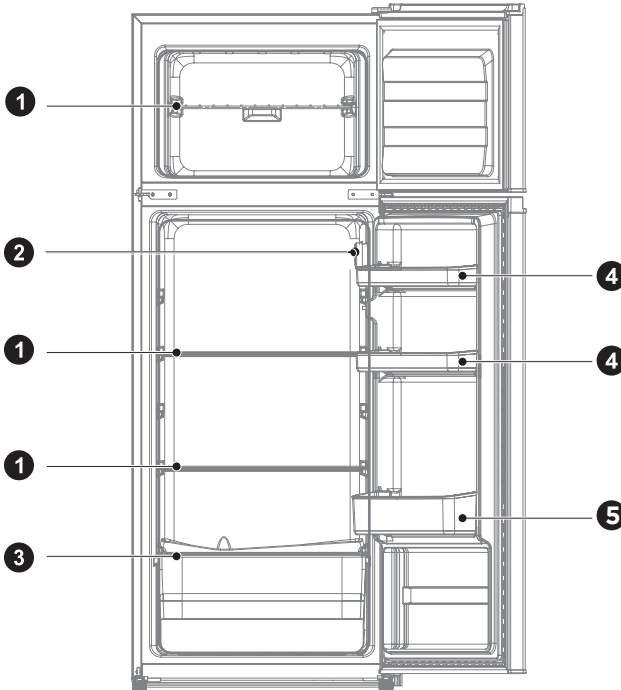
Información sobre el embalaje

Los materiales de embalaje del producto están fabricados con materiales reciclables de acuerdo con nuestra Normativa Nacional de Medio Ambiente. No deseche los materiales de embalaje junto con los residuos domésticos o de otro tipo. Llévelos a los puntos de recogida de materiales de embalaje designados por las autoridades locales.



DIAGRAMA DEL PRODUCTO

Nombre de los componentes



1 Estantes

2 Termostato

3 Cajón verdulero

4 Bandeja de la puerta

5 Bandeja grande de la puerta

● NOTA

La imagen de arriba es sólo de referencia. La configuración real dependerá del producto físico o de la especificación del distribuidor.

INSTALACIÓN

Instalación del producto

Para aparatos frigoríficos con clase climática

- Dependiendo de la clase climática, este aparato de refrigeración está diseñado para ser utilizado a temperaturas ambiente en el rango especificado en la siguiente tabla.
- La clase climática se encuentra en la placa de características. Es posible que el producto no funcione correctamente a temperaturas fuera del rango específico.
- Encontrará la clase climática en la etiqueta del producto.

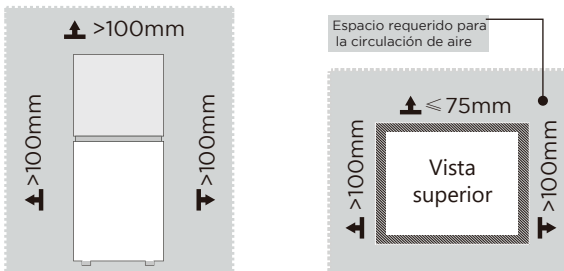
Rango de temperatura efectiva

- El producto está diseñado para funcionar normalmente en el rango de temperatura especificado por su clasificación.

Clase	Símbolo	Rango de temperatura ambiente (°C)	
		IEC 62552 (ISO 15502)	ISO 8561
Templado extendido	SN	+ 10 a + 32	+ 10 a + 32
Templado	N	+ 16 a + 32	+ 16 a + 32
Subtropical	ST	+ 16 a + 38	+ 18 a + 38
Tropical	T	+ 16 a + 43	+ 18 a + 43

Dimensiones y distancias

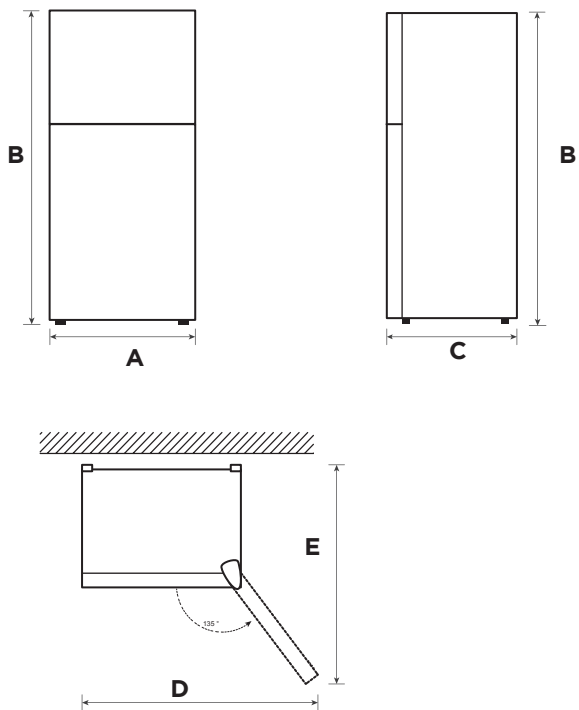
- Una distancia demasiado pequeña contra los elementos adyacentes puede resultar en la degradación de la capacidad de congelación y el aumento de los costos de electricidad. Ambos lados del refrigerador deben tener una distancia libre de la pared de más de 100 mm, y la parte trasera contra la pared a una distancia no superior a 75 mm.



NOTA

La imagen de arriba es sólo de referencia. La configuración real dependerá del producto físico o de la especificación del distribuidor.

Requisitos de espacio de la puerta (puerta cerrada y puerta abierta)



Ancho	Altura total	Fondo	Anchura con apertura de puerta a 135°	Fondo con apertura de puerta a 135°
A	B	C	D	E
550	1590	550	902	1052

Nota: Todas las dimensiones están en mm

Cambio de sentido de las puertas

En función de la ubicación en la que vaya a utilizar el frigorífico, puede que le resulte más cómodo invertir la posición de la puerta.

Atención

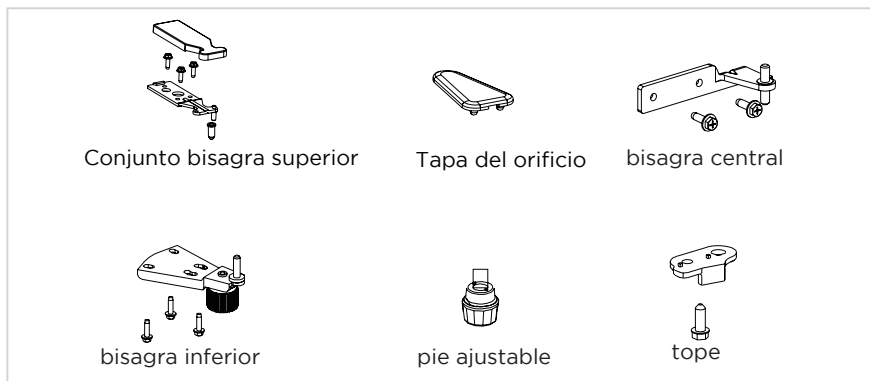
Para evitar daños personales o materiales, le recomendamos que alguien le ayude durante el proceso de inversión de la puerta.

Preparativos para cambiar la posición de la puerta

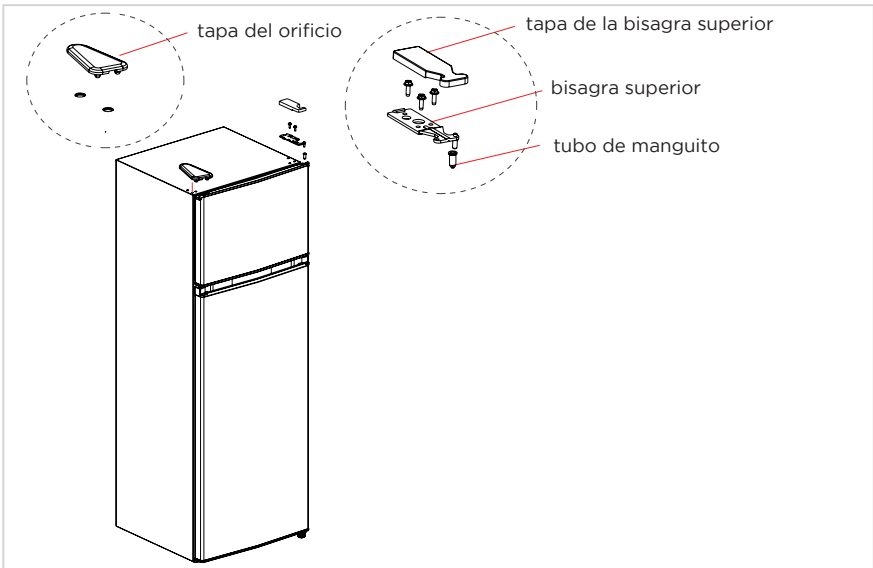
Necesitará: Un destornillador estándar, un destornillador de estrella.

- Asegúrese de que el frigorífico está desenchufado y vacío.
- Disponga de alguien que le ayude en el proceso.
- Guarde todas las piezas que retire para reutilizarlas más adelante.

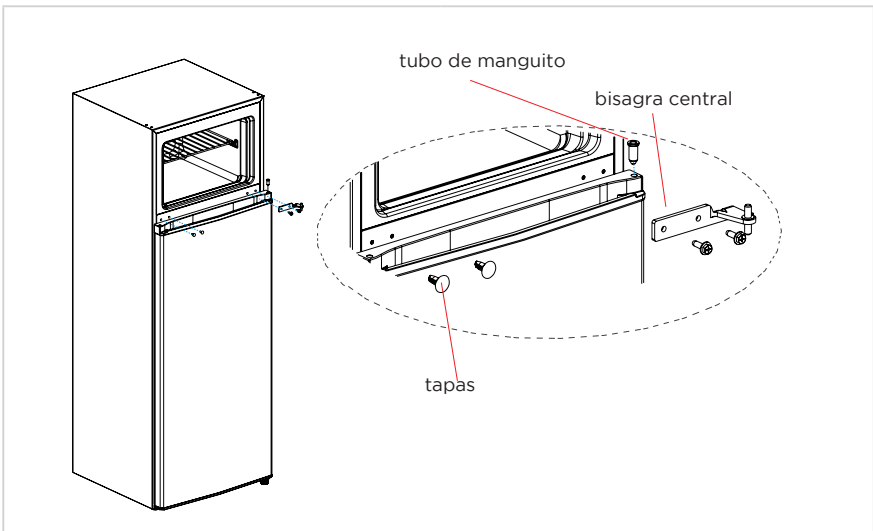
Piezas ya montadas en la puerta (tal como se envían):



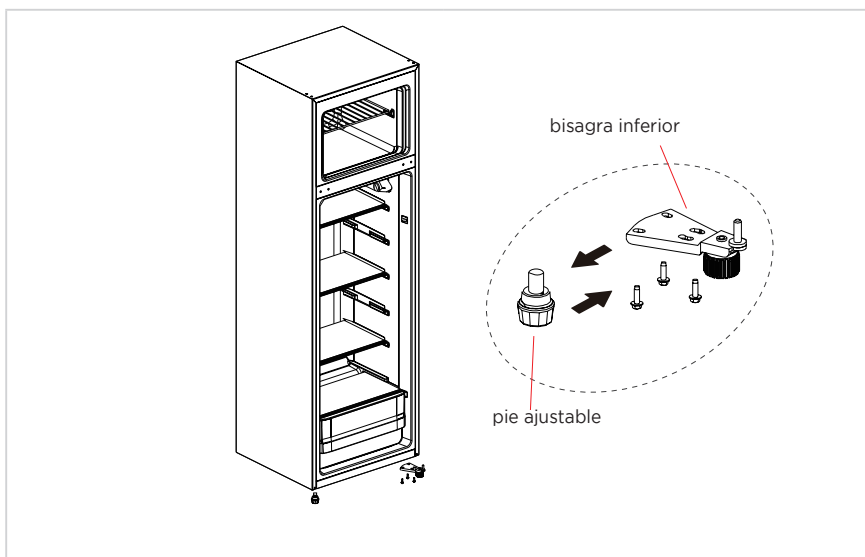
- Apague el frigorífico y retire todos los objetos de las bandejas de la puerta.
- Retire la cubierta de la bisagra superior, la bisagra superior, el tubo de la puerta del congelador y la tapa del orificio del otro lado.



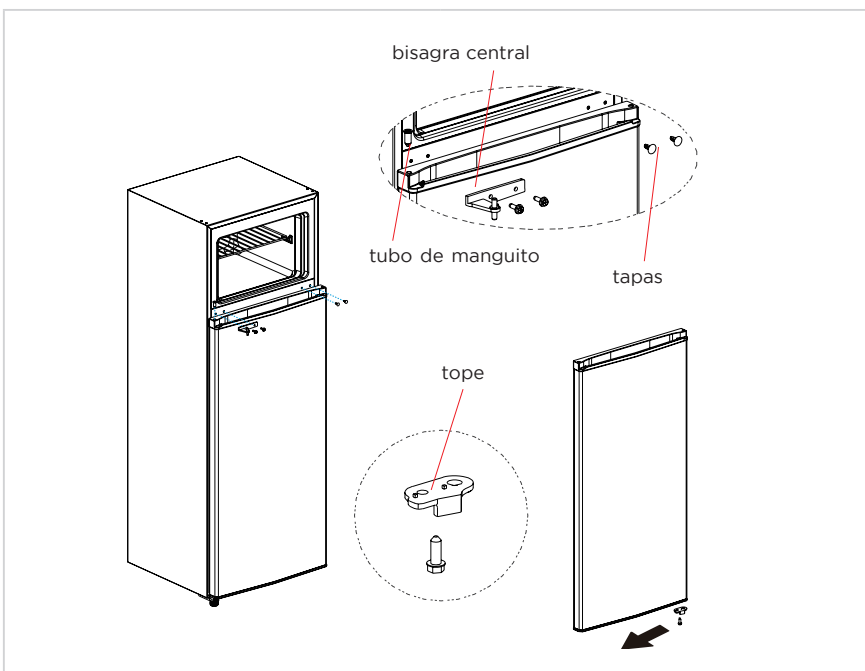
- Quite la puerta de la cámara del congelador, la bisagra central y el tubo de manguito de la puerta de refrigeración y las tapas de los agujeros del otro lado.



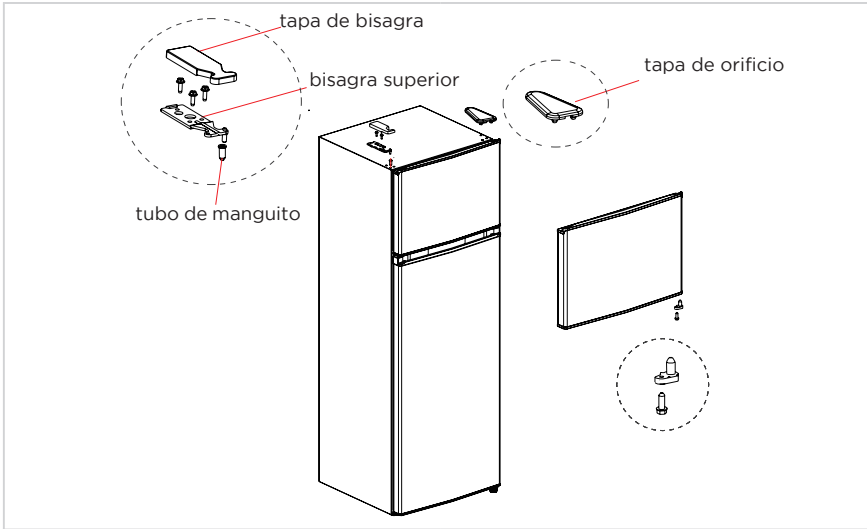
- Desmonte la puerta frigorífica, retire la bisagra inferior y el pie ajustable del otro lado.
- Monte el conjunto de bisagra inferior y pie ajustable en el otro lado.



- Monte el tapón de la puerta frigorífica en el otro lado.
- Coloque la puerta frigorífica en la bisagra inferior, monte la bisagra central, las tapas de los orificios y el tubo de la puerta frigorífica.



- Monte el tapón de la puerta del congelador en el otro lado.
- Coloque la puerta del congelador en la bisagra central, monte la bisagra superior, la tapa de la bisagra superior, el tubo de manguito de la puerta del congelador y la tapa del orificio en el otro lado.





NOTA

La imagen de arriba es sólo de referencia. La configuración real dependerá del producto físico o de la especificación del distribuidor.

Pies de nivelación

Para evitar vibraciones, la unidad debe estar nivelada.

Si es necesario, ajuste los tornillos de nivelación para compensar las irregularidades del suelo. La parte delantera debe estar ligeramente más alta que la trasera para facilitar el cierre de la puerta. Los tornillos de nivelación pueden girarse fácilmente inclinando ligeramente el mueble.

Gire los tornillos de nivelación en el sentido contrario a las agujas del reloj  para elevar la unidad y en el sentido de las agujas del reloj  para bajarla.

Conexión del aparato

Después de instalar el aparato, conecte el enchufe a una toma de corriente.

NOTA

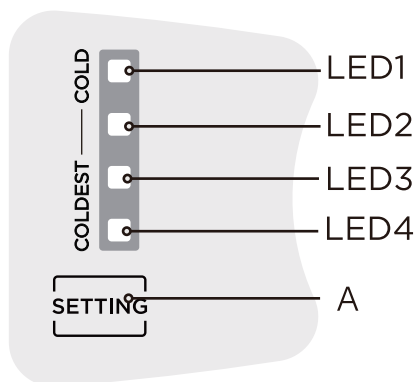
Después de conectar el cable de alimentación (o el enchufe) a la toma de corriente, espere 2 ó 3 horas antes de introducir alimentos en el aparato. Si introduce alimentos antes de que el aparato se haya enfriado por completo, podrían estropearse.

Consejos para el ahorro de energía

- No coloque el aparato cerca de cocinas, radiadores u otras fuentes de calor. Si la temperatura ambiente es alta, el compresor funcionará con más frecuencia y durante más tiempo, lo que aumentará el consumo de energía.
- Asegúrese de que haya suficiente ventilación en la base del aparato, en los laterales y en la parte trasera del mismo. No tape nunca las aberturas de ventilación.
- Tenga en cuenta también las medidas de separación indicadas en el capítulo "Instalación".
- La disposición de los cajones, estantes y bandejas que se muestra en la ilustración ofrece el uso más eficiente de la energía y, por lo tanto, debe conservarse en la medida de lo posible. Todos los cajones y estantes deben permanecer en el aparato para mantener la temperatura estable y ahorrar energía.
- Para obtener un espacio de almacenamiento mayor (por ejemplo, para productos refrigerados/congelados de gran tamaño), pueden retirarse los cajones centrales. Si es necesario, los cajones superiores e inferiores y los estantes deben retirarse en último lugar.
- Un compartimento frigorífico/congelador uniformemente lleno contribuye a un uso óptimo de la energía. Por lo tanto, evite los compartimentos vacíos o semivacíos.
- Deje que los alimentos calientes se enfríen antes de introducirlos en el frigorífico/congelador. Los alimentos que ya se han enfriado aumentan la eficiencia energética.
- Deje que los alimentos congelados se descongelen en el frigorífico. El frío de los alimentos congelados reduce el consumo de energía en el compartimento frigorífico y aumenta así la eficiencia energética.
- Abra la puerta sólo el tiempo necesario para minimizar la pérdida de frío. Abrir la puerta brevemente y cerrarla correctamente reduce el consumo de energía.
- Las juntas de la puerta de su aparato deben estar perfectamente intactas para que las puertas cierren correctamente y no aumente innecesariamente el consumo de energía.

INSTRUCCIONES DE USO

Panel de control



Pantalla		Botón	
1	LED 1	A	Ajuste de la temperatura del compartimento frigorífico
2	LED 2		
3	LED 3		
4	LED 4		

Pantalla

- La primera vez que se conecta, todas las luces LED se encienden durante 2 segundos y, a continuación, el frigorífico funciona con el ajuste predeterminado (la luz LED3 está encendida).
- En caso de que no haya errores, muestra el ajuste de temperatura real de la nevera.
- En caso de que se produzca un error, el LED correspondiente parpadea.
- Si necesita volver a visualizar el código de error, desconecte la fuente de alimentación y vuelva a conectarla.

Código de error	Descripción del error
LED1/LED3 parpadea	Fallo en el sensor de temperatura ambiente
LED1/LED2/ LED4 parpadea	Fallo del sensor de desescarche de la nevera

● NOTA

El panel de control real puede variar de un modelo a otro.

Ajuste de temperatura

- Cada vez que se pulsa una vez el botón de ajuste de temperatura A, el ajuste de temperatura cambia una vez. Una vez finalizado el ajuste de temperatura, el frigorífico funcionará según el valor ajustado después de 30s. La regulación del cambio es:



Función PowerFreeze

- Mantenga pulsado el botón de ajuste de temperatura durante 6 segundos, entrará en modo PowerFreeze después de 30 segundos, y el LED3 y LED4 se encenderán al mismo tiempo.
- Tras 40 horas de funcionamiento en modo Super Freeze o al pulsar el botón de ajuste, saldrá del modo PowerFreeze y volverá al ajuste anterior.
- Se sugiere activar el modo PowerFreeze durante 12 horas antes de colocar una gran cantidad de alimentos congelados en el congelador de una sola vez.

Función PowerCool

- Pulse el botón de ajuste de temperatura durante 3 segundos, entrará en el modo PowerCool después de 30 segundos, y el LED1 y el LED2 se encenderán al mismo tiempo.
- Tras funcionar durante 6 horas en modo PowerCool o al pulsar el botón de ajuste, saldrá del modo PowerCool y volverá al ajuste anterior.

Modo de espera

- Mantenga pulsado el botón de configuración durante 10s, todos los LEDs del panel de control se apagarán, y el modo de espera se activará después de 30 segundos. Una vez en el modo de espera, pulse de nuevo el botón de ajuste para encender todos los LED y salir del modo.
- El frigorífico deja de funcionar y la lámpara se apaga automáticamente en el modo de espera.

● NOTA

La función PowerFreeze está diseñada para mantener el valor nutricional de los alimentos en el congelador. Puede congelar los alimentos en el menor tiempo posible. Si se congela una gran cantidad de alimentos a la vez, se recomienda que el usuario active la función PowerFreeze e introduzca los alimentos. En este momento, la velocidad de congelación del compartimiento del congelador aumenta, lo que puede congelar rápidamente los alimentos, conservar eficazmente sus nutrientes y facilitar el almacenamiento.

Consejos de conservación de alimentos

Cámara de congelación

- La cámara de congelación a baja temperatura puede mantener los alimentos frescos durante mucho tiempo y se utiliza principalmente para almacenar alimentos congelados y hacer hielo.
- Utilice los estantes de la puerta del congelador sólo para guardar alimentos ya congelados, no para guardar alimentos calientes cocinados para congelar.
- No coloque alimentos frescos y congelados uno al lado del otro. Los alimentos congelados podrían descongelarse.
- Cuando congele alimentos frescos (como carne, fiambre o carne picada), córtelos en piezas que puedan utilizarse al mismo tiempo.
- Conservación de los alimentos congelados: en los envases suelen figurar instrucciones que deben respetarse. Si no hay información en el envase, los alimentos no deben conservarse más de tres meses desde la fecha de compra.
- Cuando compre alimentos congelados, asegúrese de que se han congelado a una temperatura adecuada y de que el envase no está dañado.
- Los alimentos congelados deben conservarse en envases adecuados para mantener su calidad y deben devolverse al congelador lo antes posible.
- Si un paquete de alimentos congelados presenta humedad o un abombamiento anormal, es probable que se haya almacenado a una temperatura incorrecta y que el contenido esté estropeado.
- El periodo de conservación de los alimentos congelados depende de la temperatura ambiente, el ajuste del termostato, la frecuencia de apertura de la puerta del congelador, el tipo de alimento y el tiempo de transporte del producto de la tienda al hogar. Siga siempre las instrucciones impresas en el envase y no supere nunca el tiempo máximo de conservación indicado en el mismo.

Cámara frigorífica

- Para reducir la humedad y la consiguiente formación de hielo, no introduzca nunca líquido en el frigorífico en recipientes sin cerrar. La escarcha tiende a concentrarse en las partes más frías del evaporador. Si almacena líquidos sin tapar, necesitará descongelarlos con más frecuencia.
- Nunca introduzca alimentos calientes en el frigorífico. Éstos deben enfriarse primero a temperatura ambiente y después colocarse de forma que se garantice una circulación de aire adecuada en el frigorífico.
- Los alimentos o los recipientes de alimentos no deben tocar la pared posterior del frigorífico porque podrían congelarse y pegarse en la pared. Evite abrir muchas veces la puerta del frigorífico.
- La carne y el pescado limpios (envasados en un paquete o en film de plástico) pueden introducirse en el frigorífico y utilizarse en 1-2 días.
- La fruta y la verdura sin envasar pueden colocarse en la parte destinada a la fruta y la verdura frescas.

NOTA

El ajuste de la temperatura óptima de cada compartimento depende de la temperatura ambiente. La temperatura óptima superior se basa en una temperatura ambiente de 25 °C.

Orden	Tipo de compartimento	Temp. óptima almacenaje (°C)	Alimentos adecuados
1	Frigorífico	$+2 \leq x \leq +8$	Huevos, alimentos cocinados, alimentos envasados, frutas y verduras, productos lácteos, pasteles, bebidas y otros alimentos no son aptos para la congelación.
2	Congelación de cuatro estrellas	$x \leq -18$	Con capacidad de congelación, velocidad de congelación rápida, puede congelar y almacenar alimentos rápidamente. Adecuado para congelar alimentos frescos como marisco (gambas, marisco), pescado y productos cárnicos. Recomendado: 3 - 6 meses, cuanto mayor sea el tiempo de almacenamiento, peor será el sabor y la nutrición.
3	Congelación de tres estrellas	$x \leq -18$	Con capacidad de congelación. Adecuado para congelar alimentos frescos como marisco (gambas, crustáceos), pescado y productos cárnicos. Recomendado no más de 3 meses.
4	Congelación de dos estrellas	$x \leq -12$	Sólo apto para el almacenamiento a medio plazo de alimentos ya congelados, por ejemplo, helados. Se recomienda no más de 1 mes.
5	Congelación de una estrella	$x \leq -6$	Sólo apto para refrigeración y almacenamiento a corto plazo de pequeñas cantidades de alimentos ya congelados. Se recomienda no más de 1 semana.
6	0 estrellas	$-6 \leq x \leq 0$	Carne fresca de cerdo, ternera, pescado, pollo, algunos alimentos procesados envasados, etc. (Se recomienda consumir en el mismo día, preferiblemente no más de 3 días). Alimentos procesados parcialmente envasados (alimentos no congelables).
7	Refrigeración	$-2 \leq x \leq +3$	Carne fresca/congelada de cerdo, ternera, pollo, pescado, etc. (7 días por debajo de 0°C y por encima de 0°C se recomienda consumir ese mismo día o, preferiblemente, no más de 2 días). Marisco menos de 0°C durante 15 días, no se recomienda almacenar por encima de 0°C.
8	Alimentos frescos	$0 \leq x \leq +4$	Carne fresca de cerdo, ternera, pescado, pollo, alimentos cocinados, etc. (Se recomienda consumir en el mismo día, preferiblemente no más de 3 días)
9	Vino	$+5 \leq x \leq +20$	Vino tinto, vino blanco, vino espumoso, etc.

NOTA

Almacene los distintos alimentos según los compartimentos o la temperatura de conservación deseada.

LIMPIEZA Y MANTENIMIENTO

Descongelación

- Desenchufe el frigorífico.
- Saque toda la comida del frigorífico y almacénela adecuadamente para evitar que se derrita.
- Limpie la tubería del desagüe, con materiales suaves que impidan que se dañe. Prepare recipientes para contener el agua descongelada. Asegúrese de limpiar con cuidado la bandeja de condensados del compartimento del compresor para evitar que se derrame al suelo.
- Puede dejar que el frigorífico se descongele a temperatura ambiente, o usar un rascador para eliminar el hielo, pero este debe ser de plástico o madera para evitar dañar las tuberías u otros componentes.
- También puede usar una cantidad adecuada de agua caliente para acelerar la descongelación, y secarla después con una toalla seca.
- Tras la descongelación, vuelva a meter la comida en el compartimento y encienda el frigorífico.

Periodos de desuso prolongados

Fallo de corriente:

En caso de que haya un corte de corriente, los alimentos que hay en el interior del aparato pueden conservarse durante varias horas, incluso en verano. Durante el corte de corriente, reduzca los tiempos de apertura de la puerta y no meta más alimentos en el frigorífico.

Si no se va a usar durante mucho tiempo:

El aparato debe desenchufarse y luego limpiarse; y dejar las puertas abiertas para evitar la formación de olores.

Desplazamiento:

Antes de mover el frigorífico, saque todos los objetos del interior, fije con cinta adhesiva los estantes de cristal, el cajón verdulero, los cajones de la cámara de congelación, etc., y apriete las patas niveladoras. Cierre las puertas y fijelas con cinta adhesiva. Durante el desplazamiento, el aparato no debe colocarse boca abajo ni horizontalmente, y debe evitarse cualquier sacudida. La inclinación durante el desplazamiento no debe ser superior a 45°.



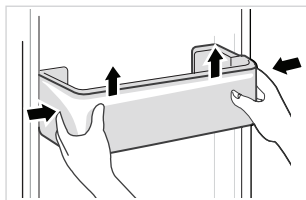
Atención

El aparato debe funcionar de forma continua una vez puesto en marcha. En general, evite interrumpir el funcionamiento del aparato, de lo contrario, su vida útil puede verse afectada.

Los alimentos pueden conservarse durante un par de horas incluso en verano en caso de apagón; se recomienda reducir la frecuencia de apertura de la puerta.

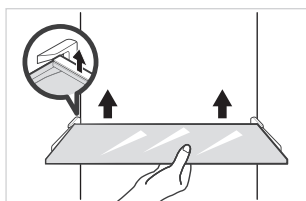
Limpeza de la bandeja de la puerta

- Siguiendo las flechas de dirección en la imagen, utilice ambas manos para apretar la bandeja y empújela hacia arriba, después podrá sacarla.
- Una vez extraída la bandeja, puede ajustar su altura de instalación en función de sus necesidades.



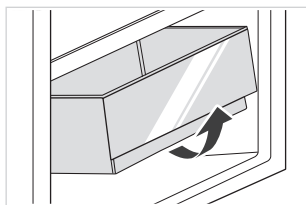
Limpeza del estante de vidrio

- El frigorífico tiene un tope trasero, deberá levantar los estantes hacia arriba para poder sacarlos.
- Ajuste o limpie los estantes según sus necesidades.



Limpeza del cajón de frutas y verduras

- Saque el contenido del cajón. Sujete el asa del cajón y tire de él completamente hasta que se detenga.
- Levante el cajón y extráigalo tirando de él.



● NOTA

Para la limpieza se sugieren paños suaves o una esponja mojada en agua y detergentes neutros no corrosivos. El congelador se deberá limpiar finalmente con agua limpia y un paño seco. Abra la puerta para que se seque al aire antes de conectar la alimentación. No utilice cepillos duros, estropajos metálicos, cepillos de alambre, abrasivos como pastas de dientes, disolventes orgánicos (tales como alcohol, acetona, aceite de plátano, etc.), agua hirviendo, o productos de limpieza ácidos o alcalinos, ya que esto puede dañar la superficie de la nevera y el interior.

SOLUCIÓN DE PROBLEMAS

Puede intentar solucionar estos problemas usted mismo. Si no se resuelven, póngase en contacto con el servicio técnico oficial.

Problema	Causa posible
Fallo de funcionamiento	• Compruebe si el aparato está conectado a la corriente y si el enchufe hace contacto correctamente.
	• Compruebe si el voltaje es demasiado bajo.
	• Compruebe si hay un corte de corriente o si ha fallado algún circuito.
Olor	• Envuelva muy bien las comidas con olores fuertes.
	• Compruebe si hay algún alimento en mal estado.
	• Limpie el interior del frigorífico.
El compresor está en marcha durante mucho tiempo	• Esto es normal en verano
	• Cuando la temperatura ambiente es más alta. No es recomendable que el frigorífico esté muy lleno.
	• Deje que la comida se enfríe antes de introducirla.
	• Las puertas se abren con demasiada frecuencia.
La luz no se enciende	• Compruebe si el frigorífico está conectado a la corriente, y si la bombilla del frigorífico está dañada.
	• Si es así, que la sustituya un profesional.
Las puertas no cierran bien	• La puerta puede estar bloqueada por algún alimento.
	• El frigorífico está inclinado.
Ruido fuerte	• Compruebe que el suelo es llano y que el frigorífico está estable.
	• Compruebe que los accesorios están correctamente colocados.

Problema	Causa posible
El sello de la puerta no cierra bien	<ul style="list-style-type: none"> • Retire los residuos u objetos que pueda haber en las juntas. • Caliente el sello de la puerta y deje que se enfríe (puede usar un secador eléctrico o una toalla caliente).
La bandeja de agua se desborda	<ul style="list-style-type: none"> • Hay demasiados alimentos almacenados, o éstos contienen demasiada agua, lo que da lugar al desescarche. • Las puertas no están bien cerradas. La entrada de aire genera hielo y aumenta el agua por el desescarche.
Paredes calientes	<ul style="list-style-type: none"> • La disipación de calor del condensador incorporado mediante las paredes es normal. Si se debe a una temperatura ambiente muy alta o a que hay demasiados alimentos almacenados, se recomienda una buena ventilación para facilitar la disipación de calor.
Condensación en la superficie	<ul style="list-style-type: none"> • La condensación en la parte exterior y en los burletes es normal si la humedad ambiente es muy alta. Séquela con un paño limpio.
Ruido anormal	<ul style="list-style-type: none"> • Zumbido: El compresor puede emitir zumbidos durante el funcionamiento, especialmente durante el arranque y la detención. Esto es normal. • Crujido: El flujo de refrigerante en el interior del frigorífico puede producir crujidos que también son normales.

APÉNDICE

Especial para la nueva norma europea:

Las piezas de la siguiente tabla pueden adquirirse en nuestro servicio postventa:

Repuesto	Vendido a	Tiempo mínimo de disponibilidad
Termostatos	Profesionales de mantenimiento	Al menos 7 años tras la salida al mercado del último modelo
Sondas de temperatura	Profesionales de mantenimiento	Al menos 7 años tras la salida al mercado del último modelo
Placas de circuito impreso	Profesionales de mantenimiento	Al menos 7 años tras la salida al mercado del último modelo
Luces	Profesionales de mantenimiento	Al menos 7 años tras la salida al mercado del último modelo
Asas de las puertas	Servicios de reparación y usuarios finales	Al menos 7 años tras la salida al mercado del último modelo
Bisagras	Servicios de reparación y usuarios finales	Al menos 7 años tras la salida al mercado del último modelo
Estantes	Servicios de reparación y usuarios finales	Al menos 7 años tras la salida al mercado del último modelo
Cestas	Servicios de reparación y usuarios finales	Al menos 7 años tras la salida al mercado del último modelo
Gomas de las puertas	Servicios de reparación y usuarios finales	Al menos 10 años tras la salida al mercado del último modelo

Estimado usuario/a,

1. Si desea devolver o cambiar el producto debe ponerse en contacto con la tienda donde lo compró. (Recuerde llevar el ticket o factura de compra)
2. Si su producto sufre una avería y debe repararse, póngase en contacto con el servicio de postventa.


NOTA

La información sobre el modelo en la base de datos de productos, así como el identificador del modelo, pueden obtenerse a través de un enlace web escaneado mediante un código QR, si existe, en la etiqueta de eficiencia energética del producto.

Para obtener más información sobre la eficiencia energética del aparato, visite <https://ec.europa.eu> y realice una búsqueda utilizando el nombre del modelo.

El nombre del modelo se encuentra en la etiqueta de clasificación del aparato.

Ficha de Producto

Marca comercial	TEKA
Modelo	RTF 3210
Categoría	Frigorífico- congelador
Clase de eficiencia energética	E
Consumo de energía en kWh/a, según los resultados obtenidos en la prueba estándar de 24 horas; el consumo de energía real depende de las condiciones de uso del aparato y de su localización	177kWh/a
Volumen útil en litros, frigorífico	194.0L
Volumen útil en litros, estrella	
Volumen útil en litros, congelador	41.0L
Volumen útil en litros, otros compar mentos	/
Tipo de descongelación, frigorífico	Descongelación manual
Tipo de descongelación, congelador	Descongelación manual
Tiempo de subida de temperatura, h	8h
Capacidad de congelación en kg/24h	2kg/24h
Clase climática	SN/N/ST
Este aparato está destinado a ser utilizado en una temperatura ambiente entre 10 °C y 38 ° C.	
Nivel de ruido db(A)	40db(A)

CONTENU



1 AVERTISSEMENTS DE SÉCURITÉ

8 ÉLIMINATION ET RECYCLAGE

9 DIAGRAMME DU PRODUIT

10 INSTALLATION

17 INSTRUCTIONS D'UTILISATION

21 MAINTENANCE ET ENTRETIEN

23 DÉPANNAGE

25 ANNEXE

AVERTISSEMENTS DE SÉCURITÉ

Utilisation prévue







Avant d'allumer l'appareil pour la première fois, veuillez lire les consignes de sécurité suivantes.

Cet appareil est destiné à être utilisé dans des environnements domestiques et similaires, tels que les cuisines du personnel dans les magasins, les offices et autres environnements de travail ; les chalets et les clients dans les hôtels, les motels et autres environnements de type résidentiel; bed&breakfast; la restauration et autres applications similaires non destinées à la vente au détail.

Si l'appareil est utilisé à des fins commerciales ou à des fins autres que la réfrigération des aliments, veuillez noter que le fabricant n'est pas responsable des dommages éventuels.

Pour des raisons de sécurité, il est interdit d'apporter des modifications ou des altérations à l'appareil.

Signification des symboles

	Danger Ce symbole indique qu'il existe des dangers pour la vie et la santé des personnes en raison de la présence de gaz extrêmement inflammable.
	Avertissement de tension électrique Ce symbole indique qu'il existe un danger pour la vie et la santé des personnes en raison de la tension électrique.
	Avertissement Le mot de signalisation indique un danger avec un niveau de risque moyen qui, s'il n'est pas évité, peut entraîner la mort ou des blessures graves.
	Attention Le mot de signalisation indique un danger avec un faible degré de risque qui, s'il n'est pas évité, peut entraîner des blessures mineures ou modérées.
	Remarque Le mot de signalisation indique une information importante (par exemple, des dégâts matériels), mais pas un danger.
	Observer les instructions Ce symbole indique qu'un technicien ne doit utiliser et entretenir cet appareil que conformément au mode d'emploi.

Lisez attentivement et complètement ce mode d'emploi avant d'utiliser ou de mettre en service l'appareil et conservez-le à proximité du lieu d'installation ou de l'appareil en vue d'une utilisation postérieure.



Danger

Risque d'incendie/matériaux dangereux.

Ce symbole vous avertit de la présence de matériaux inflammables qui peuvent s'enflammer et provoquer un incendie si vous ne faites pas attention.

- Les matériaux réfrigérants et cyclopentane utilisés dans l'appareil sont inflammables. Par conséquent, lorsque l'appareil est mis au rebut, il doit être tenu à l'écart de toute source d'incendie et il sera récupéré par une entreprise de récupération spéciale avec la qualification correspondante; et il ne sera pas éliminé par combustion, pour éviter des dommages à l'environnement ou tout autre dommage.

Avertissement

- Dans le cas des réfrigérateurs dont les portes ou les couvercles sont équipés de serrures et de clés, gardez les clés hors de portée des enfants afin d'éviter qu'ils ne s'enferment à l'intérieur.
- Évitez d'obstruer les orifices de ventilation à l'intérieur du boîtier de l'appareil ou dans la structure intégrée.
- Ne pas utiliser de dispositifs mécaniques ou d'autres moyens pour accélérer le processus de dégivrage autres que ceux recommandés par le fabricant.
- Ne pas endommager le circuit du réfrigérant.
- N'utilisez pas d'appareils électriques à l'intérieur des compartiments de stockage des aliments de l'appareil, sauf s'ils sont du type recommandé par le fabricant.
- Mettez le réfrigérateur au rebut conformément aux réglementations locales, car il utilise du gaz et du réfrigérant inutilisables.
- Pour éviter les risques liés à l'instabilité de l'appareil, celui-ci doit être fixé conformément aux instructions.
- Pour un appareil indépendant: cet appareil de réfrigération n'est pas destiné à être utilisé comme appareil encastré.



Avertissement: Choc électrique

Une installation électrique incorrecte ou une tension électrique trop élevée peuvent provoquer des chocs électriques.

- Ne branchez votre réfrigérateur à une prise de courant correctement installée et reliée à la terre que si la tension secteur de la prise correspond à la tension spécifiée sur la plaque signalétique*.
- N'utilisez pas de rallonges ou d'adaptateurs non reliés à la terre (à deux broches).
- Veillez à ce que tous les câbles électriques situés à l'extérieur de l'appareil soient protégés contre les dommages (par exemple, par des animaux ou des arêtes tranchantes). Lorsque vous placez l'appareil, assurez-vous que le cordon d'alimentation n'est pas pincé ou endommagé.
- Ne placez pas plusieurs prises de courant portables ou alimentations portables à l'arrière de l'appareil.
- Une mauvaise alimentation électrique peut provoquer un incendie ou une électrocution.
- Évitez les surcharges électriques. Débranchez la fiche de la prise de courant avant d'effectuer des travaux d'entretien, de maintenance et de réparation sur l'appareil.
- Éteignez l'appareil et débranchez-le de la prise de courant lorsque vous ne l'utilisez pas.
- Si le cordon d'alimentation est endommagé, il doit être remplacé par le fabricant, son agent de service ou des personnes de qualification similaire afin d'éviter toute situation dangereuse.
- Si les produits sont équipés de LED, ne retirez pas le couvercle de l'éclairage ou la LED vous-même. Tout remplacement ou entretien des lampes LED doit être effectué par le fabricant, son agent de service ou une personne de qualification similaire.

Il n'est pas recommandé d'utiliser ce produit avec des prises ou des interrupteurs principaux dotés de la fonction A/GFCI, sous peine de provoquer de fausses déconnexions.

- 1. Ne présente pas de risque de sécurité lorsqu'elle est déconnectée.**
- 2. Si la déconnexion persiste, il est recommandé de remplacer les prises ou l'interrupteur principal sans fonction a/gfci.**



Avertissement : Sécurité des enfants

- Les enfants doivent être surveillés afin de s'assurer qu'ils ne jouent pas avec l'appareil.
- Détruisez le carton, les sacs en plastique et tout autre matériau d'emballage extérieur immédiatement après avoir déballé le produit.
- Les enfants ne doivent jamais utiliser ces éléments pour jouer. Les cartons recouverts de tapis, d'édredons, de feuilles de plastique ou de film étirable peuvent devenir des chambres hermétiques et conduire rapidement à l'asphyxie.
- Retirez toutes les agrafes du carton. Les agrafes peuvent provoquer de graves coupures et détruire les finitions si elles entrent en contact avec d'autres appareils ou meubles.

Risque de piégeage d'enfants. Avant de jeter votre ancien réfrigérateur ou congélateur

- Retirez les portes.
- Laissez les étagères en place afin que les enfants ne puissent pas entrer facilement.

Attention: Risque de blessures et de dommages

- Nunca se coma alimentos congelados inmediatamente después de sacarlos del congelador.
- Evite el contacto prolongado de la piel con los alimentos congelados, el hielo y las tuberías del compartimento del congelador.
- Ne placez pas de substances ou d'objets inflammables à proximité du réfrigérateur pour éviter tout risque d'incendie.
- Ne conservez pas de bière, de boissons ou d'autres liquides dans des bouteilles ou des récipients fermés dans le compartiment congélateur.

Attention: Risque de blessure

Le non-respect des consignes de sécurité peut entraîner des blessures.

- Cet appareil peut être utilisé par des enfants à partir de 8 ans et par des personnes ayant des capacités physiques, sensorielles ou mentales réduites ou un manque d'expérience et de connaissances, si elles ont été supervisées ou instruites sur la façon d'utiliser l'appareil en toute sécurité et comprennent les dangers encourus. Les enfants ne doivent pas jouer avec l'appareil. Les enfants ne doivent pas effectuer de nettoyage et de maintenance par l'utilisateur sans surveillance.
- Les enfants de 3 à 8 ans peuvent charger et décharger le réfrigérateur.

Avertissement

- Vérifiez l'étiquette du compresseur à l'arrière de l'appareil ou l'étiquette signalétique à l'intérieur du réfrigérateur pour savoir quel fluide frigorigène est utilisé dans votre appareil.
Vérifiez l'étiquette du compresseur à l'arrière de l'appareil ou l'étiquette signalétique à l'intérieur du réfrigérateur pour savoir quel fluide frigorigène est utilisé dans votre appareil. Si ce produit contient du gaz inflammable (réfrigérant R-600a), contactez les autorités locales pour savoir comment le mettre au rebut en toute sécurité.
- Lors du transport et de l'assemblage de l'appareil, veillez à ce qu'aucune pièce du circuit de réfrigération ne soit endommagée.
- Pour éviter la formation d'un mélange air/gaz inflammable en cas de fuite dans le circuit de réfrigération, la pièce d'installation doit avoir une taille minimale de 1^{m3} pour 8 g de réfrigérant, conformément à la norme EN378. La quantité de réfrigérant de votre produit est indiquée sur la plaque signalétique.

Si le circuit de refroidissement est endommagé :

- Évitez à tout prix les flammes vives et les sources d'inflammation.
- Ventiler la pièce dans laquelle se trouve l'appareil.



Attention

Pour éviter la contamination des aliments, respectez les instructions suivantes:

- Une ouverture prolongée de la porte peut entraîner une augmentation significative de la température dans les compartiments de l'appareil.
- Nettoyez régulièrement les surfaces qui peuvent entrer en contact avec la nourriture et des systèmes de drainage accessibles.
- Nettoyez les réservoirs d'eau s'ils n'ont pas été utilisés pendant 48 heures. Rincez le système d'eau connecté à une alimentation en eau si aucune eau n'a été prélevée pendant 5 jours. (Note 1)
- Conservez la viande et le poisson crus dans des récipients appropriés au réfrigérateur, afin qu'ils n'entrent pas en contact avec d'autres aliments ou ne coulent pas dessus.
- Les compartiments pour aliments surgelés deux étoiles conviennent au stockage d'aliments pré-congelés, au stockage ou à la préparation de glaces et à la fabrication de glaçons. (Note 2)
- Les compartiments à deux et trois étoiles ne conviennent pas à la congélation des aliments frais (Note 3)
- Les appareils sans compartiment 4 étoiles ne sont pas adaptés à la congélation des aliments. (Note 4)
- Si l'appareil de réfrigération doit rester vide pendant une période prolongée, éteignez-le, dégivrez-le, nettoyez-le, séchez-le et laissez la porte ouverte pour éviter la formation de moisissures à l'intérieur de l'appareil.
- **Avertissement:** Ne remplir qu'avec de l'eau potable (adaptée au distributeur d'eau)(*).
- **Avertissement:** Ne branchez l'appareil qu'à l'eau potable (convient à la machine à glaçons)(*).



REMARQUE

(*): Cette fonction varie selon le modèle acheté.

Notes 1,2,3,4: Vérifiez si elles sont applicables selon le type de compartiment de votre produit.



Attention

- L'appareil ne convient pas au stockage et à la réfrigération de médicaments, de plasma sanguin, de préparations de laboratoire ou de substances et produits similaires conformément à la directive 2007/47/CE relative aux dispositifs médicaux.
- Les pièces en plastique qui entrent en contact avec des huiles/acides (animaux ou végétaux) pendant une longue période ou fréquemment vieillissent plus rapidement et peuvent se fissurer ou se casser.
- Lorsque vous remplacez l'éclairage intérieur du produit, débranchez-le toujours, sinon il y a un risque de choc électrique.
- Si le remplacement de l'éclairage intérieur est trop compliqué pour vous, veuillez contacter le service après-vente.

Avant la première utilisation

L'emballage doit être intact. Vérifiez que l'appareil n'a pas été endommagé pendant le transport.

Ne connectez en aucun cas un appareil endommagé. En cas de dommage, contacter le fournisseur.

Retirer le couvercle de transport

L'appareil et les pièces qu'il contient sont protégés pour le transport. Vous pouvez retirer tous les rubans adhésifs des côtés droit et gauche de la porte de l'appareil, ainsi que les éventuels résidus de colle, à l'aide d'un solvant de nettoyage. Retirez également tous les rubans adhésifs et les éléments d'emballage à l'intérieur de l'appareil.

Après le transport, l'appareil doit être laissé au repos pendant 12 heures pour permettre au réfrigérant de s'accumuler dans le compresseur. Le non-respect de cette consigne pourrait endommager le compresseur et, par conséquent, l'appareil.

 **Attention:** Risque de dommages

Configuration de l'appareil

- La température ambiante influe sur la consommation d'énergie et le bon fonctionnement de l'appareil. Par conséquent, l'appareil doit être placé dans une pièce bien ventilée et sèche, avec une température ambiante correspondant à la classe climatique pour laquelle l'appareil est conçu.
- L'appareil ne doit pas être placé à l'extérieur (par exemple sur un balcon, une terrasse, un abri de jardin, etc.)

N'utilisez pas de couteaux ou d'objets pointus pour ouvrir l'appareil. Respectez les instructions de mise en service : "Conseils pour économiser l'énergie".

Retirer les portes de l'appareil

- Si l'appareil ne passe pas par la porte plate, les portes de l'appareil peuvent être dévissées.

REMARQUE

Le dévissage des portes de l'appareil ne peut être effectué que par le service après-vente.

Notes sur les conditions de nettoyage

Attention

Débranchez l'appareil avant de le nettoyer.

- La poussière derrière le réfrigérateur et sur le sol doit être nettoyée souvent pour améliorer l'effet de refroidissement de l'appareil et économiser de l'énergie.
- Vérifiez régulièrement les joints de la porte pour vous assurer qu'il n'y a aucun résidu. Nettoyez les joints avec un chiffon doux imbibé d'eau savonneuse ou de détergent dilué.
- L'intérieur du réfrigérateur doit être nettoyé régulièrement pour éviter les odeurs.
- Débranchez le réfrigérateur avant de nettoyer l'intérieur et retirez tous les aliments, boissons, étagères, tiroirs, etc.
- Utilisez un chiffon doux ou une éponge pour nettoyer l'intérieur du réfrigérateur, avec deux cuillères à soupe de bicarbonate de soude mélangées à un litre d'eau tiède. Puis rincez à l'eau et nettoyez. Après le nettoyage, ouvrez la porte et laissez-la sécher avant de la connecter à l'alimentation.
- Il est recommandé de nettoyer régulièrement les zones les plus difficiles du réfrigérateur (telles que les joints étroits, les interstices ou les coins) avec un chiffon doux, une brosse douce, etc. et si nécessaire, combinez-les avec des outils auxiliaires (comme des bâtonnets minces) pour éviter que les contaminants et les bactéries ne s'accumulent dans ces zones.
- N'utilisez pas de savon, de détergent (liquide ou en poudre), de nettoyant en aérosol, etc., car ils peuvent provoquer des odeurs à l'intérieur du réfrigérateur ou contaminer les aliments.
- Nettoyez le cadre du porte-bouteilles, les étagères et les tiroirs avec un chiffon doux imbibé d'eau savonneuse ou de détergent dilué. Sécher avec un chiffon doux ou laisser sécher naturellement.
- Nettoyez la surface extérieure du réfrigérateur avec un chiffon doux imbibé d'eau savonneuse, de détergent, etc., et séchez.
- N'utilisez pas de brosses dures, de tampons à récuser en aluminium, d'abrasifs (comme du dentifrice), les solvants organiques (tels que l'alcool ou l'acétone, etc.), l'eau bouillante ou les substances acides ou alcalines qui peuvent endommager la surface du réfrigérateur et son intérieur. L'eau bouillante et les solvants organiques tels que le benzène peuvent déformer ou endommager les pièces en plastique.
- Ne pas rincer directement avec de l'eau et d'autres liquides pendant le nettoyage pour éviter les courts-circuits et ne pas affecter l'isolation électrique du réfrigérateur.

ÉLIMINATION ET RECYCLAGE

Instructions importantes pour l'environnement

 ÉLIMINATION: Ne jetez pas ce produit avec les déchets municipaux non triés. Ces déchets doivent être collectés séparément pour un traitement spécial.	<p>Conformément à la directive européenne 2012/19 / UE relative aux déchets d'équipements électriques et électroniques (DEEE), les appareils électro-ménagers ne peuvent pas être jetés dans les conteneurs municipaux habituels; Ils doivent être collectés de manière sélective pour optimiser la récupération et le recyclage des composants et des matériaux qui les composent et réduire leur impact sur la santé humaine et l'environnement.</p> <p>Le symbole de la poubelle barrée est inscrit sur tous les produits pour rappeler aux consommateurs l'obligation de les séparer pour une collecte séparée. Le consommateur doit contacter les autorités locales ou le vendeur pour se renseigner sur l'élimination correcte de son appareil.</p>
---	---

Conformité avec la directive RoHS

Le produit que vous avez acheté est conforme à la directive RoHS de l'UE (2011/65/EU). Il ne contient pas de matériaux nocifs et interdits spécifiés dans la directive.

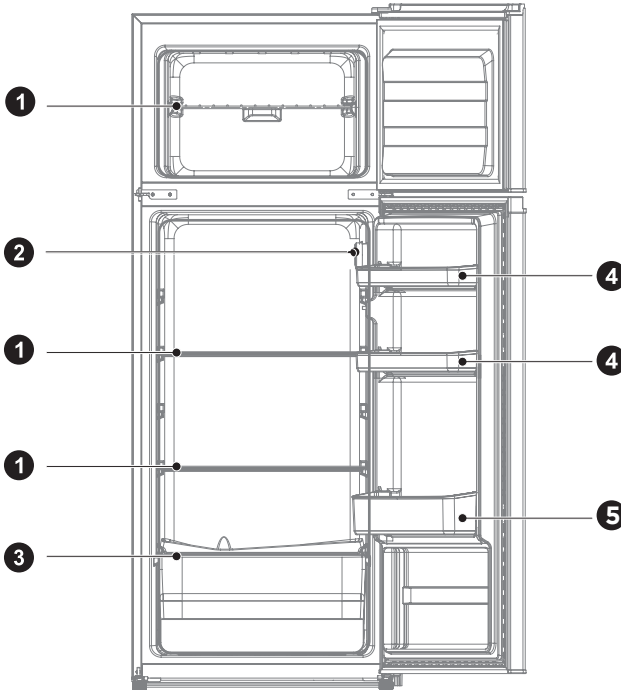
Information sur l'emballage

Les matériaux d'emballage du produit sont fabriqués à partir de matériaux recyclables, conformément aux réglementations nationales en matière d'environnement. Ne jetez pas les matériaux d'emballage avec les déchets ménagers ou autres. Veuillez les déposer aux points de collecte des matériaux d'emballage désignés par les autorités locales.



DIAGRAMME DU PRODUIT

Nom des composants



1 Étagères

2 Thermostat

3 Tiroir à légumes

4 Plateau de porte

5 Plateau de porte large

REMARQUE

L'image ci-dessus est fournie à titre de référence uniquement. La configuration réelle dépend du produit physique ou des spécifications du revendeur.

INSTALLATION

Installation du produit

Pour les appareils de réfrigération avec classe climatique

- En fonction de la classe climatique, cet appareil de réfrigération est conçu pour être utilisé à des températures ambiantes comprises dans la plage spécifiée dans le tableau suivant.
- La classe climatique est indiquée sur la plaque signalétique. Le produit peut ne pas fonctionner correctement à des températures situées en dehors de la plage spécifiée.
- La classe climatique est indiquée sur l'étiquette du produit.

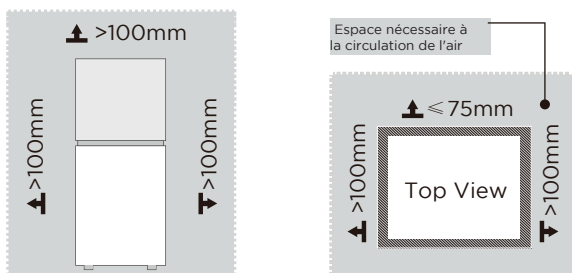
Plage de température effective

- Le produit est conçu pour fonctionner normalement dans la plage de température spécifiée par sa classification.

Classe	Symbole	Plage de température ambiante (°C)	
		IEC 62552 (ISO 15502)	ISO 8561
Tempéré prolongé	SN	+ 10 à + 32	+ 10 à + 32
Tempéré	N	+ 16 à + 32	+ 16 à + 32
Subtropical	ST	+ 16 à + 38	+ 18 à + 38
Tropical	T	+ 16 à + 43	+ 18 à + 43

Dimensions et distances

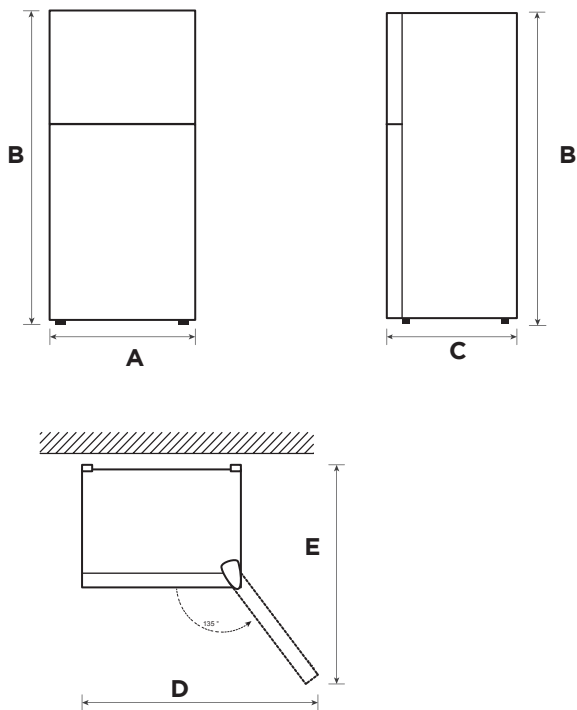
- Une distance trop faible par rapport aux éléments adjacents peut entraîner une dégradation de la capacité de congélation et une augmentation des coûts d'électricité. Les deux côtés du réfrigérateur doivent être placés contre le mur avec une distance libre de plus de 100 mm, et l'arrière du réfrigérateur doit être placé contre le mur avec une distance ne dépassant pas 75 mm.



REMARQUE

L'image ci-dessus est fournie à titre de référence uniquement. La configuration réelle dépend du produit physique ou des spécifications du revendeur.

Exigences en matière d'espace des portes (porte fermée et porte ouverte)



Largeur	Hauteur totale	Fonds	Largeur avec ouverture de la porte à 135°	Fonds avec ouverture de la porte à 135°
A	B	C	D	E
550	1590	550	902	1052

Remarque: Toutes les dimensions sont en mm

Modification de l'orientation de la porte

Selon l'endroit où le réfrigérateur sera utilisé, il peut être plus pratique d'inverser la position de la porte.

Attention

Pour éviter toute blessure ou tout dommage matériel, nous vous recommandons de vous faire aider par quelqu'un pendant le processus d'inversion de la porte.

Préparatifs pour changer la position de la porte

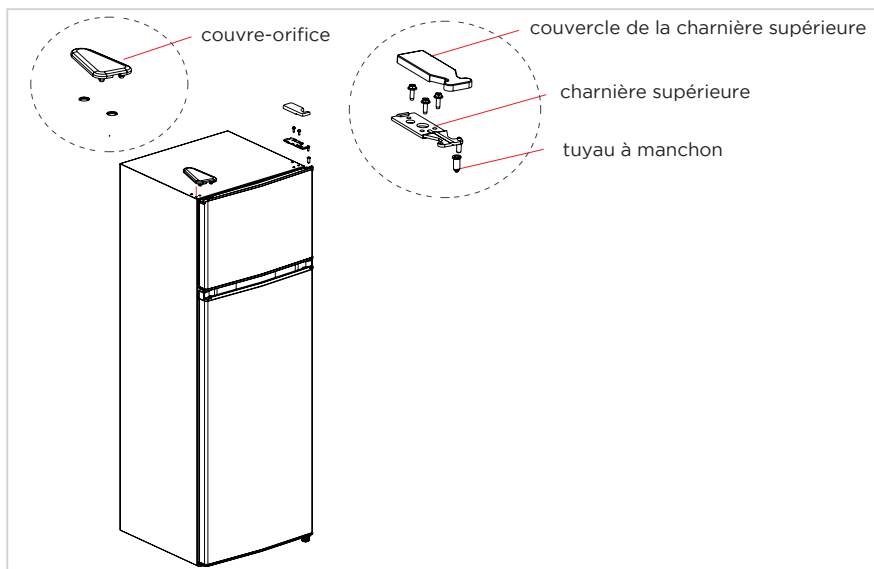
Vous aurez besoin de : Un tournevis standard, un tournevis Phillips.

- Assurez-vous que le réfrigérateur est débranché et vide.
- Demandez à quelqu'un de vous aider dans cette opération.
- Conservez toutes les pièces que vous retirez pour les réutiliser plus tard.

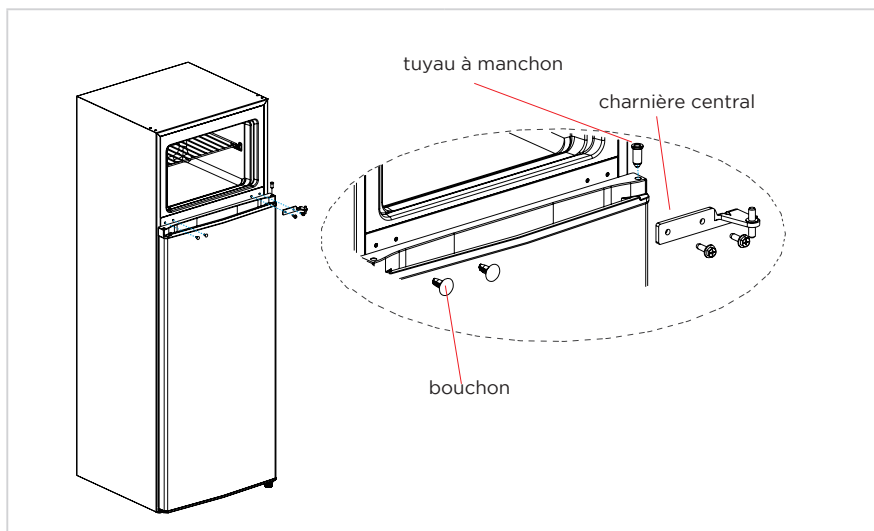
Pièces déjà montées sur la porte (telles que livrées):



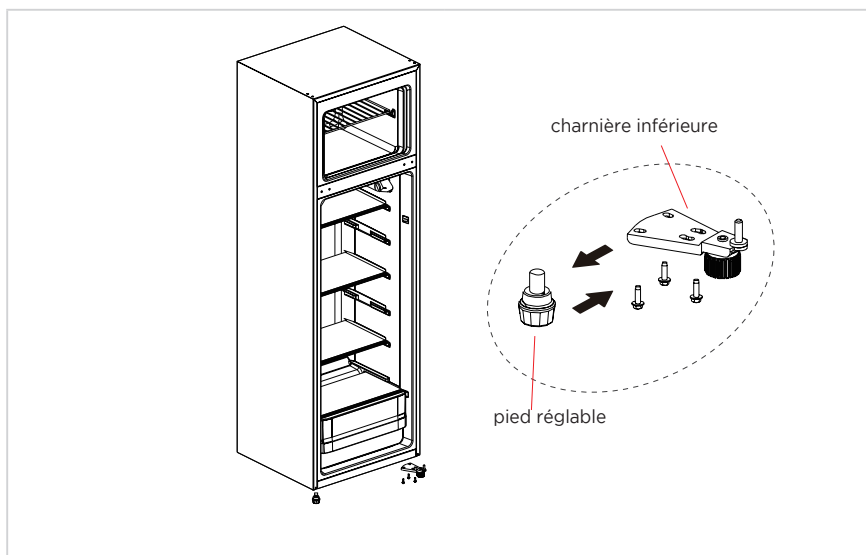
- Éteignez le réfrigérateur et retirez tous les articles des plateaux de la porte.
- Retirez le couvercle de la charnière supérieure, la charnière supérieure, le tuyau de la porte du congélateur et le couvercle du trou de l'autre côté.



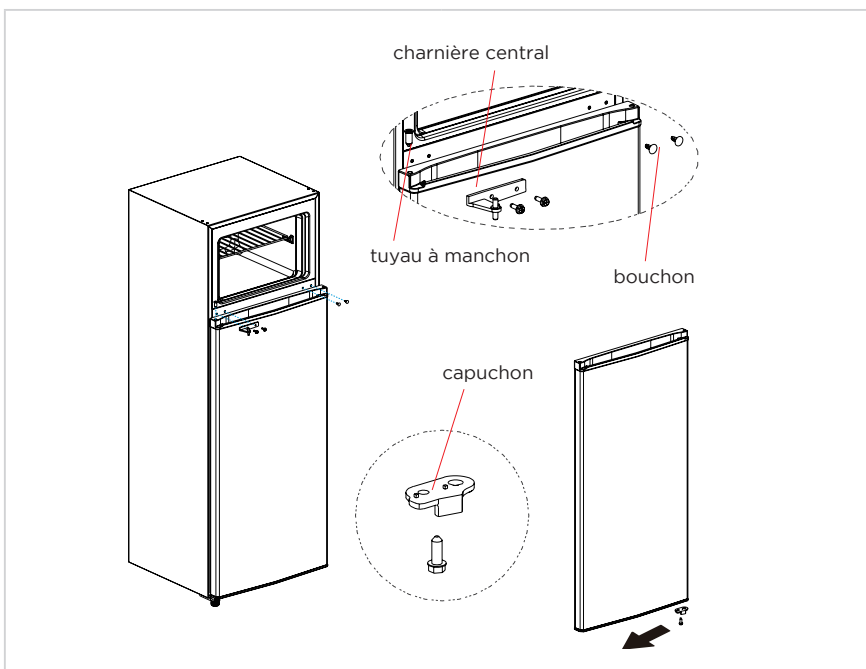
- Retirer la porte du compartiment congélateur, la charnière centrale et le tuyau du manchon de la porte du réfrigérateur, ainsi que les couvercles des trous de l'autre côté.



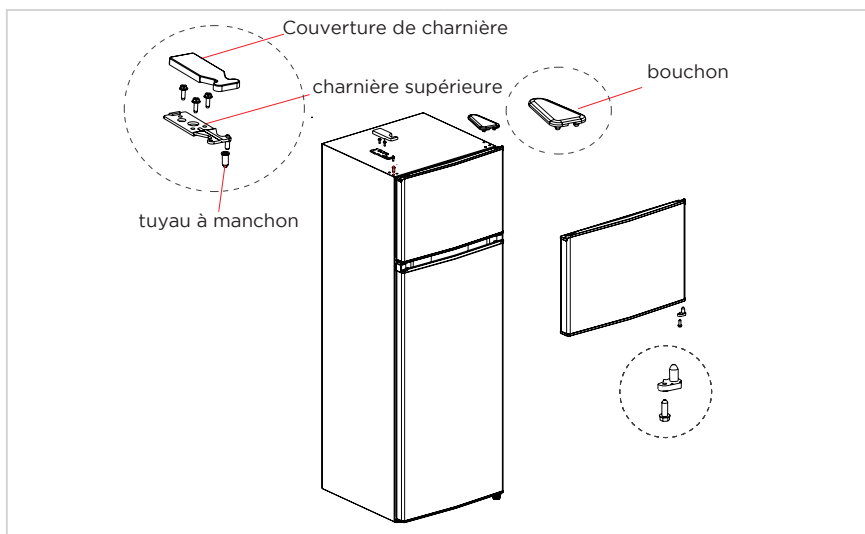
- Démontez la porte du réfrigérateur, retirez la charnière inférieure et le pied réglable de l'autre côté.
- Remontez l'ensemble charnière inférieure et pied réglable de l'autre côté.



- Placez le bouchon de la porte du réfrigérateur de l'autre côté.
- Placer la porte du réfrigérateur sur la charnière inférieure, mettre en place la charnière centrale, les couvercles des trous et le tube de la porte du réfrigérateur.



- Installez le bouchon de la porte du congélateur de l'autre côté.
- Placez la porte du congélateur sur la charnière centrale, installez la charnière supérieure, le couvercle de la charnière supérieure, le tube du manchon de la porte du congélateur et le couvercle du trou de l'autre côté.





REMARQUE

L'image ci-dessus est fournie à titre de référence uniquement. La configuration réelle dépend du produit physique ou des spécifications du revendeur.

Pieds de nivellement

Pour éviter les vibrations, l'appareil doit être de niveau.

Si nécessaire, réglez les vis de mise à niveau pour compenser les irrégularités du sol. L'avant doit être légèrement plus haut que l'arrière pour faciliter la fermeture de la porte. Les vis de nivellement peuvent être facilement tournées en inclinant légèrement l'armoire.

Tournez les vis de mise à niveau dans le sens inverse des aiguilles d'une montre  pour élever l'appareil et dans le sens des aiguilles d'une montre  pour l'abaisser

Connexion de l'appareil

Après avoir installé l'appareil, branchez la fiche sur une prise de courant.

REMARQUE

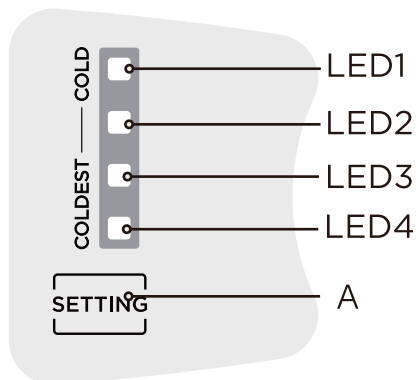
Après avoir branché le cordon d'alimentation (ou la fiche) à la prise de courant, attendez 2 à 3 heures avant d'introduire des aliments dans l'appareil. Si les aliments sont introduits avant que l'appareil n'ait complètement refroidi, ils risquent de s'abîmer.

Conseils pour économiser l'énergie

- Ne placez pas l'appareil à proximité de cuisinières, de radiateurs ou d'autres sources de chaleur. Si la température ambiante est élevée, le compresseur fonctionnera plus fréquemment et plus longtemps, ce qui augmentera la consommation d'énergie.
- Veillez à ce que la ventilation soit suffisante à la base de l'appareil, sur les côtés et à l'arrière de l'appareil. Ne recouvrez jamais les ouvertures de ventilation.
- Respectez également les mesures de dégagement décrites dans le chapitre "Installation".
- La disposition des tiroirs, des étagères et des plateaux indiquée sur l'illustration permet d'utiliser l'énergie de la manière la plus efficace possible et doit donc être conservée dans la mesure du possible. Tous les tiroirs et étagères doivent rester dans l'appareil pour maintenir une température stable et économiser de l'énergie.
- Pour un espace de stockage plus important (par exemple pour les produits réfrigérés/congelés de grande taille), les tiroirs du milieu peuvent être retirés. Si nécessaire, les tiroirs et étagères supérieurs et inférieurs doivent être retirés en dernier.
- Un compartiment réfrigérateur/congélateur uniformément rempli contribue à une utilisation optimale de l'énergie. Évitez donc les compartiments vides ou à moitié vides.
- Laissez refroidir les aliments chauds avant de les placer dans le réfrigérateur/congélateur. Les aliments déjà refroidis augmentent l'efficacité énergétique.
- Laissez les aliments congelés décongeler dans le réfrigérateur. La réfrigération des aliments congelés réduit la consommation d'énergie dans le compartiment réfrigérateur et augmente donc l'efficacité énergétique.
- N'ouvrez la porte que le temps nécessaire pour minimiser la perte de froid. Ouvrir la porte brièvement et la refermer correctement réduit la consommation d'énergie.
- Les joints de porte de votre appareil doivent être parfaitement intacts pour que les portes se ferment correctement et n'augmentent pas inutilement la consommation d'énergie.

INSTRUCTIONS D'UTILISATION

Panneau de contrôle



Écran	Bouton
1 LED 1	A
2 LED 2	
3 LED 3	
4 LED 4	

Écran

- La première fois qu'il est mis en marche, tous les voyants s'allument pendant 2 secondes, puis le réfrigérateur fonctionne avec le réglage par défaut (le voyant 3 est allumé).
- En l'absence d'erreur, il affiche la température réelle réglée par le réfrigérateur.
- En cas d'erreur, le voyant correspondant clignote.
- Si vous avez besoin d'afficher à nouveau le code d'erreur, débranchez l'alimentation et rebranchez-la.

Code d'erreur	Description de l'erreur
LED1/LED3 clignote	Défaut de la sonde de température ambiante
LED1/LED2/ LED4 clignote	Défaut du capteur de dégivrage du réfrigérateur

REMARQUE

Le panneau de commande peut varier d'un modèle à l'autre.

Réglage de température

- Chaque fois que l'on appuie une fois sur le bouton de réglage de la température A, le réglage de la température change une fois. Une fois le réglage de la température terminé, le réfrigérateur fonctionne selon la valeur réglée après 30 secondes.

La régulation du changement est la suivante :



Fonction PowerFreeze

- Appuyez sur le bouton de réglage de la température et maintenez-le enfoncé pendant 6 secondes. L'appareil passe en mode de congélation après 30 secondes et les LED3 et LED4 s'allument en même temps.
- Après 40 heures de fonctionnement en mode Super Freeze ou après avoir appuyé sur le bouton de réglage, l'appareil quitte le mode PowerFreeze et revient au réglage précédent.
- Il est conseillé d'activer le mode PowerFreeze pendant 12 heures avant de placer une grande quantité d'aliments congelés dans le congélateur en une seule fois.

Fonction PowerCool

- Appuyez sur le bouton de réglage de la température pendant 3 secondes, l'appareil passera en mode PowerCool après 30 secondes, et les LED1 et LED2 s'allumeront en même temps.
- Après 6 heures de fonctionnement en mode PowerCool ou après avoir appuyé sur le bouton de réglage, l'appareil quitte le mode PowerCool et revient au réglage précédent.

Mode veille

- Appuyez sur le bouton de réglage et maintenez-le enfoncé pendant 10 secondes, toutes les LED du panneau de commande s'éteignent et le mode veille est activé au bout de 30 secondes. Une fois en mode veille, appuyez à nouveau sur la touche Setting pour rallumer tous les voyants et quitter le mode.
- Le réfrigérateur s'arrête de fonctionner et la lampe s'éteint automatiquement en mode veille.

REMARQUE

La fonction PowerFreeze est conçue pour maintenir la valeur nutritionnelle des aliments dans le congélateur. Elle permet de congeler les aliments le plus rapidement possible. Si une grande quantité d'aliments doit être congelée à la fois, il est recommandé à l'utilisateur d'activer la fonction PowerFreeze et d'insérer les aliments. À ce moment-là, la vitesse de congélation du compartiment congélateur augmente, ce qui permet de congeler rapidement les aliments, de bloquer efficacement leur valeur nutritive et de faciliter leur conservation.

Conseils pour la conservation des aliments

Chambre de congélation

- La chambre de congélation à basse température permet de conserver les aliments frais pendant longtemps et est principalement utilisée pour conserver les aliments congelés et faire de la glace.
- Utilisez les clayettes de la porte du congélateur uniquement pour stocker des aliments congelés, et non pour stocker des aliments chauds destinés à être congelés.
- Ne placez pas des aliments frais et congelés côte à côte. Les aliments congelés risquent de se décongeler.
- Lorsque vous congelez des aliments frais (tels que de la viande, de la charcuterie ou de la viande hachée), coupez-les en morceaux pouvant être utilisés en même temps.
- Conservation des aliments congelés : les instructions sont généralement indiquées sur l'emballage et doivent être suivies. En l'absence d'informations sur l'emballage, les aliments ne doivent pas être conservés plus de trois mois à compter de la date d'achat.
- Lorsque vous achetez des aliments surgelés, assurez-vous qu'ils ont été congelés à une température appropriée et que l'emballage n'est pas endommagé.
- Les aliments congelés doivent être conservés dans un emballage approprié afin de préserver leur qualité et doivent être replacés dans le congélateur dès que possible.
- Si un emballage d'aliments surgelés présente de l'humidité ou un gonflement anormal, il est probable qu'il a été conservé à la mauvaise température et que son contenu est avarié.
- La durée de conservation des aliments surgelés dépend de la température ambiante, du réglage du thermostat, de la fréquence d'ouverture de la porte du congélateur, du type d'aliment et de la durée du transport entre le magasin et le domicile. Suivez toujours les instructions imprimées sur l'emballage et ne dépassez jamais la durée de conservation maximale indiquée sur l'emballage.

Chambre de refroidissement

- Pour réduire l'humidité et la formation de givre qui en découle, ne mettez jamais de liquide dans le réfrigérateur dans des récipients non fermés. Le givre a tendance à se concentrer dans les parties les plus froides de l'évaporateur. Si vous conservez des liquides à découvert, vous devrez les dégivrer plus fréquemment.
- Ne mettez jamais d'aliments chauds dans le réfrigérateur. Ils doivent d'abord être refroidis à température ambiante, puis placés de manière à assurer une bonne circulation de l'air dans le réfrigérateur.
- Les aliments ou les récipients ne doivent pas toucher la paroi arrière du réfrigérateur, car ils risquent de geler sur la paroi. N'ouvrez pas régulièrement la porte du réfrigérateur.
- La viande et le poisson nettoyés (emballés dans un paquet ou dans un film plastique) peuvent être placés dans le réfrigérateur et utilisés dans un délai de 1 à 2 jours.
- Les fruits et légumes non emballés peuvent être placés dans la section des fruits et légumes frais.

REMARQUE

Le réglage de la température optimale pour chaque compartiment dépend de la température ambiante. La température optimale supérieure est basée sur une température ambiante de 25 °C.

Ordre	Type de compartiment	Temp. optimale de stockage (°C)	Aliments appropriés
1	Réfrigérateur	$+2 \leq x \leq +8$	Les œufs, les aliments cuits, les aliments emballés, les fruits et légumes, les produits laitiers, les gâteaux, les boissons et autres aliments ne conviennent pas à la congélation.
2	Congélation à quatre étoiles	$x \leq -18$	Avec sa capacité de congélation et sa vitesse de congélation rapide, il permet de congeler et de conserver les aliments rapidement. Convient à la congélation d'aliments frais tels que les fruits de mer (poissons, crevettes, crustacés), les fruits de mer d'eau douce et les produits carnés. La durée de conservation recommandée est de 3 à 6 mois. Plus la durée de conservation est longue, plus le goût et la nutrition se détériorent.
3	Congélation à trois étoiles	$x \leq -18$	Avec capacité de congélation. Convient à la congélation de denrées alimentaires fraîches telles que les fruits de mer (poissons, crevettes, crustacés), les fruits de mer d'eau douce et les produits carnés. Recommandé pour une durée maximale de 3 mois.
4	Congélation à deux étoiles	$x \leq -12$	Convient uniquement à la conservation à moyen terme d'aliments déjà congelés, par exemple les crèmes glacées. Recommandé pour une durée maximale de 1 mois.
5	Congélation d'une étoile	$x \leq -6$	Convient uniquement pour la réfrigération et le stockage à court terme de petites quantités d'aliments déjà congelés. La durée de conservation recommandée n'excède pas une semaine.
6	0 étoiles	$-6 \leq x \leq 0$	Porc frais, bœuf, poisson, poulet, certains aliments transformés emballés, etc. (il est recommandé de les consommer le jour même, de préférence pas plus de 3 jours). Aliments transformés partiellement emballés (aliments non congelables).
7	Refroidissement	$-2 \leq x \leq +3$	Viande fraîche/congelée de porc, de bœuf, de volaille, de produits aquatiques d'eau douce, etc. (7 jours au-dessous de 0°C et au-dessus de 0°C le jour même de la consommation ou, de préférence, pas plus de 2 jours). Fruits de mer moins de 0 pendant 15 jours, le stockage au-dessus de 0°C n'est pas recommandé.
8	Aliments frais	$0 \leq x \leq +4$	Viande fraîche de porc, de bœuf, de poisson, de volaille, aliments cuits, etc. (consommation recommandée le jour même, de préférence depuis moins de 3 jours).
9	Vin	$+5 \leq x \leq +20$	Vin rouge, vin blanc, vin effervescent, etc.

REMARQUE

Conservez différents aliments en fonction des compartiments ou de la température de conservation souhaitée.

MAINTENANCE ET ENTRETIEN

Dégivrage

- Débranchez le réfrigérateur.
- Retirez tous les aliments du réfrigérateur et rangez-les correctement pour éviter qu'ils ne fondent.
- Nettoyez le tuyau d'évacuation, en utilisant des matériaux doux pour ne pas l'endommager. Préparez des récipients pour contenir l'eau décongelée. Veillez à nettoyer soigneusement le bac à condensats dans le compartiment du compresseur pour éviter qu'il ne se répande sur le sol.
- Vous pouvez laisser le réfrigérateur dégivrer à température ambiante ou utiliser un grattoir pour enlever la glace, mais il doit être en plastique ou en bois pour éviter d'endommager les tuyaux ou d'autres composants.
- Vous pouvez également utiliser une quantité suffisante d'eau chaude pour accélérer la décongélation, puis la sécher avec une serviette sèche.
- Après la décongélation, remettez les aliments dans le compartiment et allumez le réfrigérateur.

Longues périodes d'inactivité

Panne de courant:

En cas de panne de courant, les aliments à l'intérieur de l'appareil peuvent être conservés pendant plusieurs heures, même en été. En cas de panne de courant, réduisez les temps d'ouverture de la porte et ne mettez plus d'aliments dans le réfrigérateur.

Si vous n'avez pas l'intention de l'utiliser pendant une longue période:

L'appareil doit être débranché puis nettoyé, et les portes doivent être laissées ouvertes pour éviter la formation d'odeurs.

Déplacement:

Avant de déplacer le réfrigérateur, retirez tous les articles à l'intérieur, collez les clayettes en verre, le tiroir à légumes, les tiroirs du congélateur, etc., et serrez les pieds de nivellement. Fermez les portes et collez-les. Pendant le mouvement, l'appareil ne doit pas être placé à l'envers ou horizontalement et tout tremblement doit être évité. L'inclinaison en mouvement ne doit pas dépasser 45°.

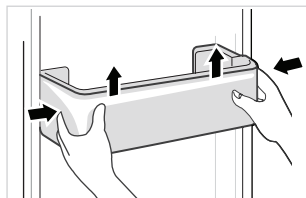


Attention

L'appareil doit fonctionner en continu après avoir été mis en marche. En général, le fonctionnement de l'appareil ne doit pas être interrompu, sinon sa durée de vie peut être affectée.

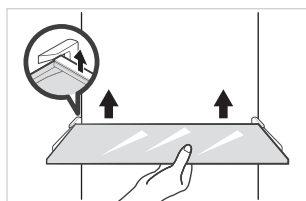
Nettoyage du plateau de la porte

- En suivant les flèches de direction sur l'image, utilisez vos deux mains pour serrer le plateau et le pousser vers le haut, puis vous pouvez le retirer.
- Une fois le plateau retiré, vous pouvez régler la hauteur d'installation en fonction de vos besoins.



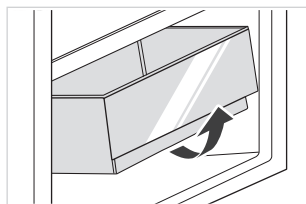
Nettoyage de l'étagère en verre

- Le réfrigérateur est équipé d'une butée arrière, vous devez soulever les clayettes pour les retirer.
- Réglez ou nettoyez les clayettes en fonction de vos besoins.



Nettoyage du tiroir à fruits et légumes

- Sortez le contenu du tiroir. Saisissez la poignée du tiroir et tirez le tiroir à fond jusqu'à ce qu'il s'arrête.
- Soulever le tiroir et le sortir.



REMARQUE

Pour le nettoyage, il est conseillé d'utiliser des chiffons doux ou une éponge trempée dans de l'eau et des détergents neutres non corrosifs. Le congélateur doit enfin être nettoyé avec de l'eau propre et un chiffon sec. Ouvrez la porte pour le laisser sécher à l'air avant de le remettre en marche. N'utilisez pas de brosses dures, de tampons à récurer métalliques, de brosses métalliques, de produits abrasifs tels que le dentifrice, de solvants organiques (tels que l'alcool, l'acétone, l'huile de banane, etc.), d'eau bouillante ou de produits de nettoyage acides ou alcalins, car cela pourrait endommager la surface du réfrigérateur et l'intérieur de l'appareil.

DÉPANNAGE

Vous pouvez essayer de résoudre ces problèmes vous-même. S'ils ne sont pas résolus, contactez le service technique officiel.

Problème	Cause
Mauvais fonctionnement	• Vérifiez si l'appareil est connecté au secteur et si la fiche établit un bon contact.
	• Vérifiez si la tension est trop basse.
	• Recherchez une panne de courant ou une panne de circuit.
Odeur	• Enveloppez bien les aliments à forte odeur.
	• Vérifiez les aliments avariés.
	• Nettoyez l'intérieur du réfrigérateur.
Le compresseur fonctionne depuis longtemps	• Ceci est normal en été
	• Lorsque la température ambiante est plus élevée, il n'est pas recommandé que le réfrigérateur soit très plein.
	• Laissez refroidir les aliments avant de les mettre.
	• Les portes sont ouvertes trop souvent.
La lumière ne s'allume pas	• Vérifiez si le réfrigérateur est connecté au secteur et si l'ampoule du réfrigérateur est endommagée.
	• Si es así, que la sustituya un profesional.
Les portes ne se ferment pas correctement	• La porte peut être bloquée par de la nourriture.
	• Le réfrigérateur est incliné.
Bruit forte	• Vérifiez que le sol est plat et que le réfrigérateur est stable.
	• Vérifiez que les accessoires sont correctement fixés.

Problème	Cause
Le joint de porte ne se ferme pas bien	<ul style="list-style-type: none"> • Retirez tous les débris ou objets qui pourraient se trouver sur les joints. • Chauffez le joint de la porte et laissez-le refroidir (vous pouvez utiliser un sèche-cheveux électrique ou une serviette chaude).
Débordement du bac à eau	<ul style="list-style-type: none"> • Il y a trop de nourriture dans le réfrigérateur, ou il contient trop d'eau, ce qui conduit à la décongélation. • Les portes ne sont pas fermées correctement. La prise d'air génère de la glace et augmente l'eau en raison du dégivrage.
Murs chauds	<ul style="list-style-type: none"> • La dissipation thermique du condenseur intégré à travers les parois est normale. Si cela est dû à une température ambiante très élevée ou si trop d'aliments sont stockés, une bonne ventilation est recommandée pour faciliter la dissipation de la chaleur.
Condensation en surface	<ul style="list-style-type: none"> • La condensation à l'extérieur et sur le coupe-froid est normale si l'humidité ambiante est très élevée. Séchez-le avec un chiffon propre.
Bruit anormal	<ul style="list-style-type: none"> • Bourdonnement: le compresseur peut bourdonner pendant le fonctionnement, en particulier lors du démarrage et de l'arrêt. C'est normal. • Fissuration: le flux de réfrigérant à l'intérieur du réfrigérateur peut produire des craquements qui sont également normaux.

ANNEXE

Spécial pour la nouvelle norme européenne:

Les pièces du tableau suivant peuvent être achetées auprès de notre service après-vente:

Pièce de rechange	Vendu à	Durée minimale de disponibilité
Thermostats	Professionnels de maintenance	Au moins 7 ans après le lancement sur le marché du dernier modèle.
Sondes de température	Professionnels de maintenance	Au moins 7 ans après le lancement sur le marché du dernier modèle.
Cartes de circuit imprimé	Professionnels de maintenance	Au moins 7 ans après le lancement sur le marché du dernier modèle.
Lumières	Professionnels de maintenance	Au moins 7 ans après le lancement sur le marché du dernier modèle.
Poignées de porte	Services de réparation et utilisateurs finaux	Au moins 7 ans après le lancement sur le marché du dernier modèle.
Charnières	Services de réparation et utilisateurs finaux	Au moins 7 ans après le lancement sur le marché du dernier modèle.
Étagères	Services de réparation et utilisateurs finaux	Al menos 7 años tras la salida al mercado del último modelo
Paniers	Services de réparation et utilisateurs finaux	Au moins 7 ans après le lancement sur le marché du dernier modèle.
Caoutchoucs de porte	Services de réparation et utilisateurs finaux	Au moins 10 ans après le lancement sur le marché du dernier modèle.

Cher utilisateur,


1. Si vous souhaitez retourner ou échanger le produit, vous devez contacter le magasin où vous l'avez acheté. (N'oubliez pas d'apporter votre reçu ou votre facture).
2. Si votre produit présente un défaut et doit être réparé, veuillez contacter le service après-vente.

REMARQUE

Les informations sur le modèle dans la base de données des produits, ainsi que l'identifiant du modèle, peuvent être obtenus grâce à un lien internet scanné via un code QR, s'il existe, sur l'étiquette d'efficacité énergétique du produit.

Pour plus d'informations sur l'efficacité énergétique de l'appareil, veuillez consulter le site suivant <https://ec.europa.eu> et effectuer une recherche à l'aide du nom du modèle.

Le nom du modèle figure sur l'étiquette d'évaluation de l'appareil.

Caractéristiques du Produit	
Marque	TEKA
Modèle	RTF 3210
Catégorie	Réfrigérateur-congélateur
Classe d'Énergie	E
Consommation d'énergie en kWh par an, d'après les résultats des tests standard sur 24 heures. La consommation d'énergie réelle dépendra du mode d'utilisation de l'appareil et de son emplacement.	177kWh/a
Volume du réfrigérateur (L)	194.0L
Volume du compartiment étoile (L)	
Volume du congélateur (L)	41.0L
Volume des autres compartiments (L)	/
Type de dégivrage, compartiment réfrigérateur	Dégivrage manuel
Type de dégivrage, compartiment congélateur	Dégivrage manuel
Autonomie en cas de coupure de courant (h)	8h
Pouvoir de congélation (kg/24h)	2kg/24h
Classes climatiques	SN/N/ST
Ce réfrigérateur est destiné à une utilisation pour une température ambiante allant de 10°C à 38°C.	
Émissions acoustiques db(A)	40db(A)



Points de collecte sur www.quefairedemesdechets.fr
 Privilégiez la réparation ou le don de votre appareil !

CONTEÚDO



1 PRECAUÇÕES DE SEGURANÇA

8 ELIMINAÇÃO DO DISPOSITIVO

9 DIAGRAMA DE PRODUTO

10 INSTALAÇÃO

17 INSTRUÇÕES DE USO

21 MANUTENÇÃO E CUIDADO

23 RESOLUÇÃO DE PROBLEMAS

25 ANEXO

PRECAUÇÕES DE SEGURANÇA


Utilização intendida

Antes de encender el aparato por primera vez, lea las siguientes indicaciones de seguridad.

Este aparelho destina-se à utilização em ambientes domésticos e similares, tais como áreas de cozinha do pessoal em lojas, escritórios e outros ambientes de trabalho; casas de campo e por clientes em hotéis, motéis e outros ambientes do tipo residencial; ambientes do tipo bed & breakfast; catering e aplicações similares não retalhistas.

Se o aparelho for utilizado para fins comerciais ou para outros fins que não a refrigeração de alimentos, o fabricante não é responsável por quaisquer danos. Por razões de segurança, não é permitido efetuar quaisquer modificações ou alterações no aparelho.

Explicação dos símbolos

	Perigo Este símbolo indica que existem perigos para a vida e a saúde das pessoas devido a gás extremamente inflamável.
	Advertência de tensão eléctrica Este símbolo indica que existe um perigo para a vida e a saúde das pessoas devido à tensão.
	Advertência A palavra de sinalização indica um perigo com um nível médio de risco que, se não for evitado, pode resultar em morte ou ferimentos graves.
	Atenção A palavra-sinal indica um perigo com um baixo grau de risco que, se não for evitado, pode resultar em lesões ligeiras ou moderadas.
	Nota A palavra-sinal indica uma informação importante (por exemplo, danos materiais), mas não um perigo.
	Observar as instruções Este símbolo indica que a utilização e a manutenção deste aparelho só podem ser efectuadas por um técnico de assistência, de acordo com o manual de instruções.

Leia atentamente este manual de instruções antes de utilizar/colocar o aparelho em funcionamento e guarde-o nas proximidades do local de instalação ou do aparelho para utilização posterior.



Perigo

Risco de incêndio/materiais inflamáveis.

Este símbolo avisa-o da presença de materiais inflamáveis que podem inflamar-se e provocar um incêndio se não tiver cuidado.

- O material de espuma refrigerante e ciclopentano utilizado para o refrigerador é inflamável. Por conseguinte, ao eliminar o frigorífico, este deve ser mantido afastado de qualquer fonte de incêndio e ser recuperado por uma empresa especializada com o adequado qualificação, e nunca deve ser eliminado por combustão, a fim de evitar danos para o ambiente ou qualquer outro risco.

Advertência

- No caso dos frigoríficos com portas ou tampas equipadas com fechaduras e chaves, mantenha as chaves fora do alcance das crianças para evitar que fiquem trancadas no interior..
- Evitar qualquer obstrução das aberturas de ventilação no interior da caixa do aparelho ou na estrutura incorporada.
- Não utilizar dispositivos mecânicos ou outros meios para acelerar o processo de descongelamento para além dos recomendados pelo fabricante.
- Não danificar o circuito do refrigerante.
- Não utilizar aparelhos eléctricos dentro dos compartimentos de armazenamento de alimentos do aparelho, a menos que sejam de um tipo recomendado pelo fabricante.
- Eliminar o frigorífico de acordo com os regulamentos locais, uma vez que este utiliza gás refrigerante e inflamável.
- Para evitar riscos devidos à instabilidade do aparelho, a sua fixação deve ser efectuada em conformidade com as instruções.
- Para um aparelho de instalação livre: este aparelho de refrigeração não se destina a ser utilizado como aparelho de encastrar.



Advertência: Choque elétrico

Uma instalação eléctrica incorrecta ou uma tensão de rede excessiva podem provocar choques eléctricos.

- Só ligue o seu frigorífico a uma tomada com ligação à terra devidamente instalada se a tensão de rede da tomada corresponder à tensão especificada na etiqueta de classificação*.
- Não utilize cabos de extensão ou adaptadores não ligados à terra (dois pinos).
- Certifique-se de que todos os cabos eléctricos no exterior do aparelho estão protegidos contra danos (por exemplo, por animais ou arestas afiadas). Ao posicionar o aparelho, certifique-se de que o cabo de alimentação não está preso ou danificado.
- Não coloque várias tomadas eléctricas portáteis ou fontes de alimentação portáteis na parte de trás do aparelho.
- Uma alimentação eléctrica inadequada pode provocar um incêndio ou um choque eléctrico.
- Evite sobrecargas eléctricas. Desligue a ficha de alimentação da tomada antes de efetuar trabalhos de conservação, manutenção e reparação no aparelho.
- Desligue o aparelho e retire a ficha da tomada quando não estiver a ser utilizado.
- Se o cabo de alimentação estiver danificado, deve ser substituído pelo fabricante, pelo seu agente de assistência ou por pessoas com qualificações semelhantes, a fim de evitar uma situação perigosa.
- Se os produtos estiverem equipados com LEDs, não remover a tampa de iluminação ou o próprio LED. Qualquer substituição ou manutenção das lâmpadas LED deve ser efectuada pelo fabricante, pelo seu agente de assistência ou por uma pessoa com qualificações semelhantes.

Não se recomenda a utilização deste produto com tomadas ou interruptores principais com a função A/GFCI, caso contrário podem ocorrer falsas desconexões.

- 1. Não representa um risco de segurança quando desligado.**
- 2. Se a desconexão persistir, recomenda-se a substituição das tomadas ou do interruptor geral sem função a/gfci.**



Advertência: Segurança das crianças

- As crianças devem ser supervisionadas para garantir que não brincam com o aparelho.
- Destrua o cartão, os sacos de plástico e qualquer material de embalagem exterior imediatamente após desembalar o produto.
- As crianças nunca devem utilizar estes objectos para brincar. As caixas de cartão cobertas com tapetes, edredões, folhas de plástico ou película extensível podem transformar-se em câmaras herméticas e provocar rapidamente asfixia.
- Retirar todos os agrafos do cartão. Os agrafos podem causar cortes graves e destruir os acabamentos se entrarem em contacto com outros aparelhos ou móveis.

Há o risco de as crianças ficarem presas no seu interior. Antes de deitar fora o seu velho frigorífico ou congelador:

- Retirar as portas.
- Deixar as prateleiras no lugar para que as crianças não possam facilmente subir para dentro.

Atenção: Risco de lesões e danos.

- Nunca coma alimentos congelados imediatamente após os ter retirado do congelador.
- Evite o contacto prolongado da pele com alimentos congelados, gelo e tubos no compartimento do congelador.
- Para evitar o risco de incêndio, não coloque substâncias ou objectos inflamáveis perto do frigorífico.
- Não guarde cerveja, bebidas ou outros líquidos em garrafas ou recipientes fechados no compartimento do congelador.

Atenção: Risco de lesões

O não cumprimento das instruções de segurança pode resultar em ferimentos.

- Este aparelho pode ser utilizado por crianças a partir dos 8 anos de idade e por pessoas com capacidades físicas, sensoriais ou mentais reduzidas ou com falta de experiência e conhecimentos, se lhes tiver sido dada supervisão ou instruções relativas à utilização do aparelho de uma forma segura e compreender os perigos envolvidos. As crianças não devem brincar com o aparelho. A limpeza e a manutenção do utilizador não devem ser feitas por crianças sem supervisão.
- As crianças dos 3 aos 8 anos de idade podem carregar e descarregar aparelhos de refrigeração.

Advertência

- Verifique a etiqueta do compressor na parte de trás do aparelho ou a etiqueta de classificação no interior do frigorífico para saber que refrigerante é utilizado no seu aparelho. Se este produto contiver gás inflamável (refrigerante R-600a), contacte as autoridades locais para saber como proceder à eliminação segura deste produto.
- Durante o transporte e a montagem do aparelho, certifique-se de que nenhuma peça do circuito de refrigeração está danificada.
- Para evitar a formação de uma mistura inflamável de gás/ar em caso de fuga no circuito de refrigerante, a sala de instalação deve ter uma dimensão mínima de 1 m³ por cada 8 g de refrigerante, de acordo com a norma EN378. A quantidade de refrigerante do seu produto pode ser encontrada na placa de identificação.

Se o circuito de refrigeração estiver danificado:

- Evitar a todo o custo as chamas livres e as fontes de ignição.
- Ventilar o local onde se encontra o aparelho.

Atenção

Para evitar a contaminação ou desperdício de alimentos, observar as seguintes instruções:

- A abertura da porta por longos períodos de tempo pode causar um aumento significativo da temperatura nos compartimentos dos aparelhos.
- Superfícies regularmente limpas que podem entrar em contacto com alimentos e sistemas de drenagem acessíveis.
- Tanques de água limpa, se não tiverem sido utilizados durante 48 h; e sistemas de descarga ligados ao abastecimento de água, se não tiver sido extraída água durante 5 dias. (nota 1)
- Armazenar carne e peixe crus em recipientes adequados no frigorífico para que não entrem em contacto ou pinguem sobre outros alimentos.
- Os compartimentos de alimentos congelados de duas estrelas são adequados para armazenar alimentos pré-congelados, armazenar ou fazer gelados e fazer cubos de gelo. (nota 2)
- Os compartimentos de duas e três estrelas não são adequados para congelar alimentos frescos. (nota 3).
- Os aparelhos sem um compartimento de 4 estrelas não são adequados para congelar alimentos. (nota 4)
- Se o aparelho de refrigeração for deixado vazio durante um longo período de tempo, desligá-lo, descongelá-lo, limpá-lo, secá-lo, e deixar a porta aberta para evitar a formação de bolor e mofo no interior do aparelho.
- **Advertência:** Encher apenas com água potável (Adequado para distribuidor de água)(*).
- **Advertência:** Ligar apenas à fonte de água potável. (Adequado para máquina de fazer gelo)(*).

NOTA

(*): Esta función varía en función del modelo adquirido.

Notas 1, 2, 3, 4: Verifique se são aplicáveis de acordo com o tipo de compartimento do seu produto.

Atenção

- O aparelho não é adequado para o armazenamento e refrigeração de medicamentos, plasma sanguíneo, preparações laboratoriais ou substâncias e produtos semelhantes, de acordo com a Diretiva de Dispositivos Médicos 2007/47/CE.
- As peças de plástico que entram em contacto com óleos/ácidos (animais ou vegetais) durante um longo período de tempo ou com frequência envelhecem mais rapidamente e podem rachar ou partir.
- Ao substituir a iluminação interior do produto, desligue sempre a ficha da tomada, caso contrário existe o risco de choque elétrico.
- Se a substituição da iluminação interior for demasiado complicada para si, contacte o serviço de assistência técnica.

Antes da primeira utilização

A embalagem não deve estar danificada. Verificar se o aparelho foi danificado durante o transporte.

Não ligar, em caso algum, um aparelho danificado. Em caso de danos, contactar o fornecedor.

Retirar a tampa de transporte

O aparelho e as peças no seu interior estão protegidos para o transporte. Pode retirar todas as fitas adesivas dos lados direito e esquerdo da porta do aparelho, bem como os resíduos de cola, utilizando um solvente de limpeza. Retire também todas as fitas adesivas e as peças da embalagem do interior do aparelho.

Após o transporte, o aparelho deve ser deixado em repouso durante 12 horas para permitir a acumulação de refrigerante no compressor. Se não o fizer, pode danificar o compressor e, consequentemente, provocar danos no aparelho.



Atenção: Risco de danos

Configuração do aparelho

- A temperatura ambiente influencia o consumo de energia e o bom funcionamento do aparelho. Por isso, o aparelho deve ser colocado num local bem ventilado e seco, com uma temperatura ambiente correspondente à classe climática para a qual o aparelho foi concebido.
- Não colocar o aparelho ao ar livre (por exemplo, numa varanda, terraço, telheiro de jardim, etc.).

Não utilizar facas afiadas ou objectos pontiagudos para abrir o aparelho. Respeitar as instruções de colocação em funcionamento: "Conselhos de poupança de energia".

Retirar as portas do frigorífico

- Se a unidade não couber na porta plana, as portas da unidade podem ser desparafusadas.

NOTA

O desenroscamento das portas do aparelho só pode ser efectuado pelo serviço de apoio ao cliente.

Notas sobre a limpeza

Atenção

Desligar o aparelho da rede eléctrica antes de o limpar.

- A poeira atrás do frigorífico e do chão deve ser limpa regularmente para melhorar o efeito de arrefecimento e poupar energia.
- Verificar regularmente a borracha da porta para ter a certeza de que não restam resíduos ou sujidade na porta. Limpe-o com um pano húmido de sabão e água ou detergente diluído.
- O interior do frigorífico deve ser limpo frequentemente para evitar odores.
- Desligue o frigorífico da alimentação antes de limpar o interior, e retire todos os alimentos, bebidas, prateleiras e gavetas, etc...
- Utilizar um pano ou esponja macia para limpar o interior do frigorífico com uma solução de água quente e duas colheres de sopa de bicarbonato de sódio. Em seguida, enxaguar e limpar com um pano. Após a limpeza, abrir a porta e deixá-la secar ao ar antes de a voltar a ligar.
- Para áreas mais difíceis de limpar (tais como ranhuras estreitas, cantos ou recantos e recantos), é aconselhável limpá-las frequentemente com um pano ou escova macia e, se necessário, utilizar outras ferramentas (tais como um palito de dentes) para garantir que os contaminantes e bactérias não se acumulem.
- Não utilizar sabão, detergente, pós ou sprays, pois estes podem causar odores no interior do frigorífico ou contaminar os alimentos.
- Limpar a estrutura da prateleira, prateleiras e gavetas com um pano macio humedecido com água e sabão ou detergente diluído. Limpar com um pano macio ou deixar secar ao ar.
- Limpar a superfície exterior do frigorífico com um pano macio humedecido com água e sabão ou detergente, e depois limpá-lo com um pano.
- Não utilizar escovas duras, esfregões de alumínio, escovas metálicas, abrasivos (tais como pasta de dentes), solventes orgânicos (tais como álcool, acetona, etc.), água a ferver, soluções ácidas ou alcalinas, ou qualquer outra coisa que possa danificar a superfície exterior ou interior do refrigerador. Água a ferver ou solventes orgânicos como o benzeno podem deformar ou danificar partes de plástico.
- Não lavar directamente com água ou outros líquidos durante a limpeza para evitar curto-circuitos ou afectar o isolamento eléctrico por imersão.

ELIMINAÇÃO DO DISPOSITIVO

Instruções importantes para o ambiente



DISPOSIÇÃO: Não eliminar este produto como lixo municipal não separado. É necessário recolher estes resíduos separadamente para tratamento especial.

De acordo com a directiva europeia 2012/19/UE relativa aos resíduos de equipamentos eléctricos e electrónicos (REEE), os aparelhos domésticos não podem ser eliminados nos contentores municipais habituais; devem ser recolhidos separadamente a fim de otimizar a recuperação e reciclagem dos seus componentes e materiais e de reduzir o impacto na saúde humana e no ambiente.

O símbolo do caixote do lixo com uma cruz é marcado em todos os produtos para lembrar ao consumidor a obrigação de os separar para recolha separada. O consumidor deve contactar a autoridade local ou o retalhista para obter informações sobre a correta eliminação do seu aparelho eléctrico.

Conformidade com a Directiva RoHS

O produto que adquiriu está em conformidade com a Directiva RoHS da UE (2011/65/UE). Não contém materiais nocivos e proibidos especificados na directiva.

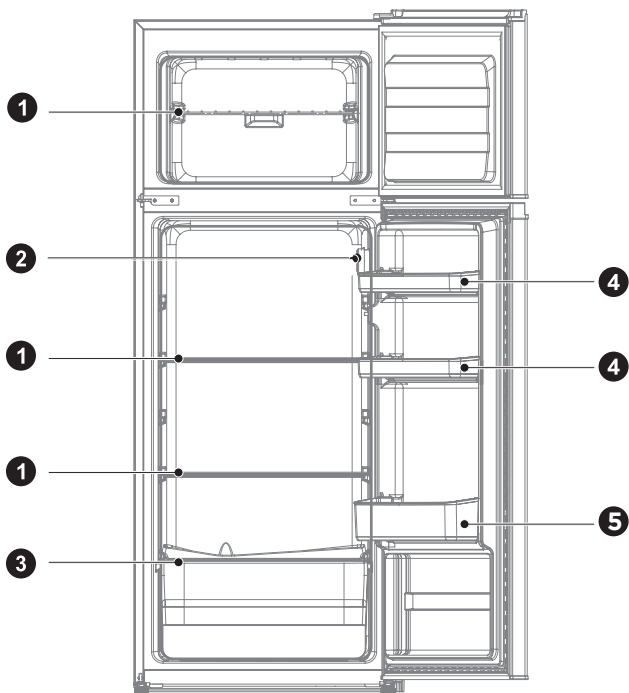
Informação sobre a embalagem

Os materiais de embalagem do produto são feitos de materiais recicláveis, de acordo com os nossos regulamentos ambientais nacionais. Não deite fora os materiais de embalagem juntamente com o lixo doméstico ou outro. Por favor, leve-os para os pontos de recolha de materiais de embalagem designados pelas autoridades locais.



DIAGRAMA DE PRODUTO

Nome dos componentes



1 Prateleira

2 Termostato

3 Gaveta de legumes

4 Bandeja da porta

5 Bandeja grande da porta

● NOTA

Todas as imagens deste manual de instruções são apenas para referência, prevalece a aparência do produto real.

INSTALAÇÃO

Instalação do produto

Para aparelhos de refrigeração com classe climática

- Consoante a classe climática, este aparelho de refrigeração foi concebido para ser utilizado a temperaturas ambiente no intervalo especificado na tabela seguinte.
- A classe climática encontra-se na placa de características. O produto pode não funcionar corretamente a temperaturas fora do intervalo especificado.
- A classe climática encontra-se na etiqueta do produto.

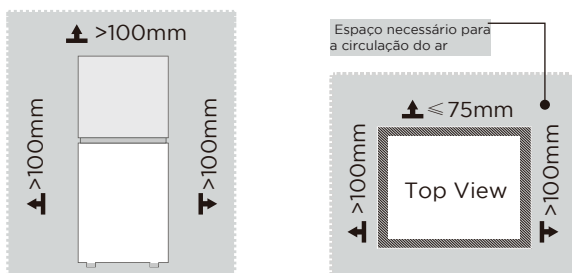
Gama de temperatura efectiva

O produto foi concebido para funcionar normalmente dentro da gama de temperaturas especificada pela sua classificação.

Classe	Símbolo	Gama de temperatura ambiente (°C)	
		IEC 62552 (ISO 15502)	ISO 8561
Temperado prolongado	SN	+ 10 ~ + 32	+ 10 ~ + 32
Temperado	N	+ 16 ~ + 32	+ 16 ~ + 32
Subtropical	ST	+ 16 ~ + 38	+ 18 ~ + 38
Tropical	T	+ 16 ~ + 43	+ 18 ~ + 43

Dimensões e distâncias

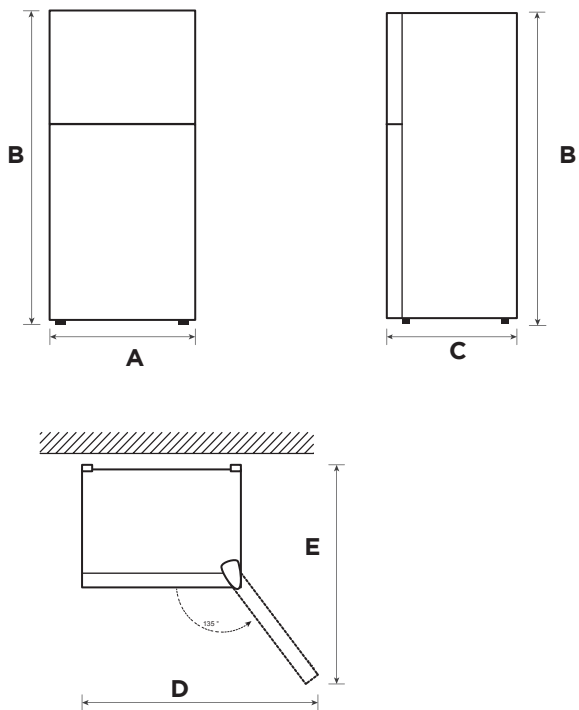
- Uma distância demasiado pequena dos artigos adjacentes pode resultar na degradação da capacidade de congelação e no aumento dos custos de electricidade. Ambos os lados do frigorífico devem ser colocados contra a parede com uma distância livre superior a 100 mm e a parte de trás do frigorífico deve estar contra a parede com uma distância não superior a 75 mm.



NOTA

Todas as imagens deste manual de instruções são apenas para referência, prevalece a aparência do produto real.

Requisitos de espaço nas portas (porta fechada e porta aberta)



Largura	Altura total	Fundo	Largura com abertura da porta a 135°	Fundo com abertura da porta a 135°
A	B	C	D	E
550	1590	550	902	1052

Nota: Todas as dimensões são em mm

Mudar a orientação da porta

Dependendo do espaço onde o frigorífico vai ser utilizado, pode ser mais conveniente inverter a posição da porta.

Atenção

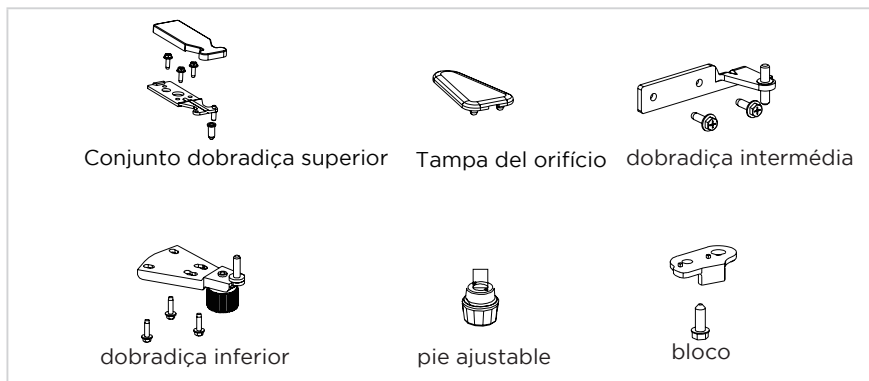
Para evitar danos pessoais ou materiais, recomendamos que seja assistido por alguém durante o processo de inversão da porta.

Preparativos para mudar a posição da porta

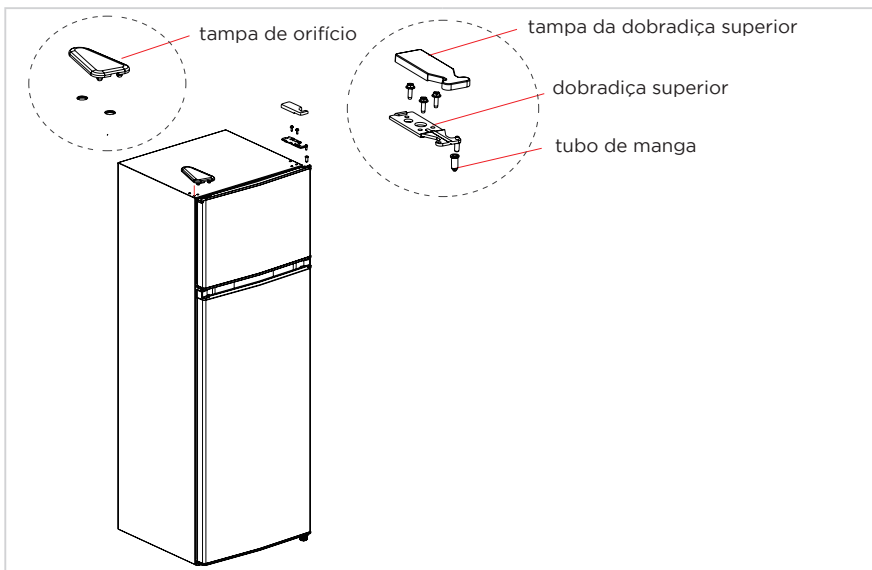
É necessário: Uma chave de fendas normal, uma chave de fendas Phillips.

- Certifique-se de que o frigorífico está desligado e vazio.
- Ter alguém que o ajude no processo.
- Guarde todas as peças que retirar para reutilização posterior.

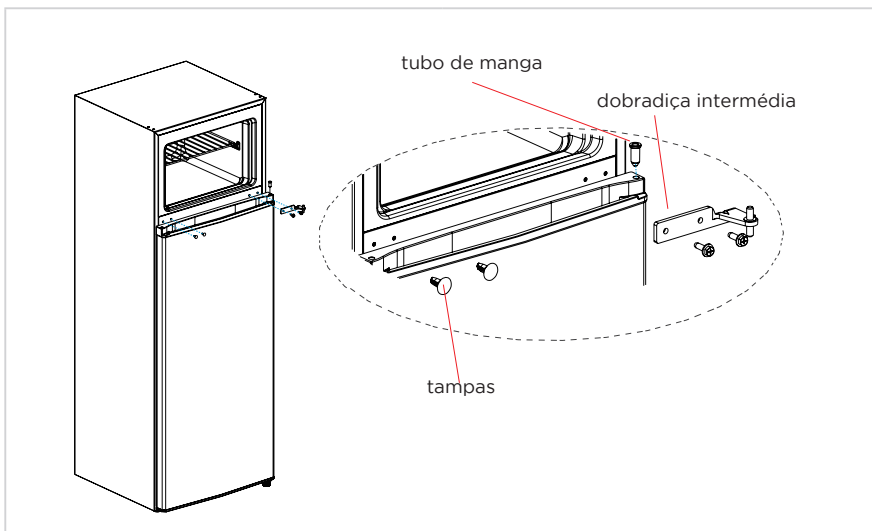
Peças já montadas na porta (tal como enviadas):



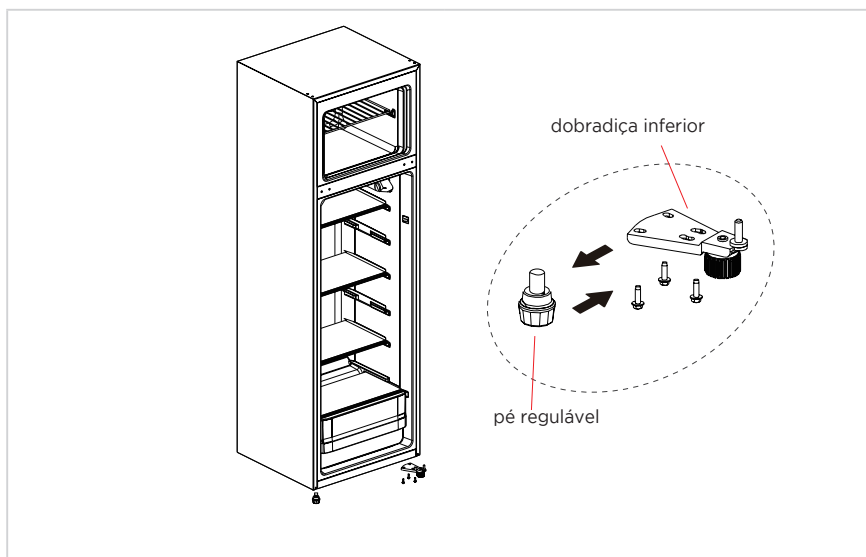
- Desligue o frigorífico e retire todos os objectos dos tabuleiros da porta.
- Retire a tampa da dobradiça superior, a dobradiça superior, o tubo da porta do congelador e a tampa do orificio do outro lado.



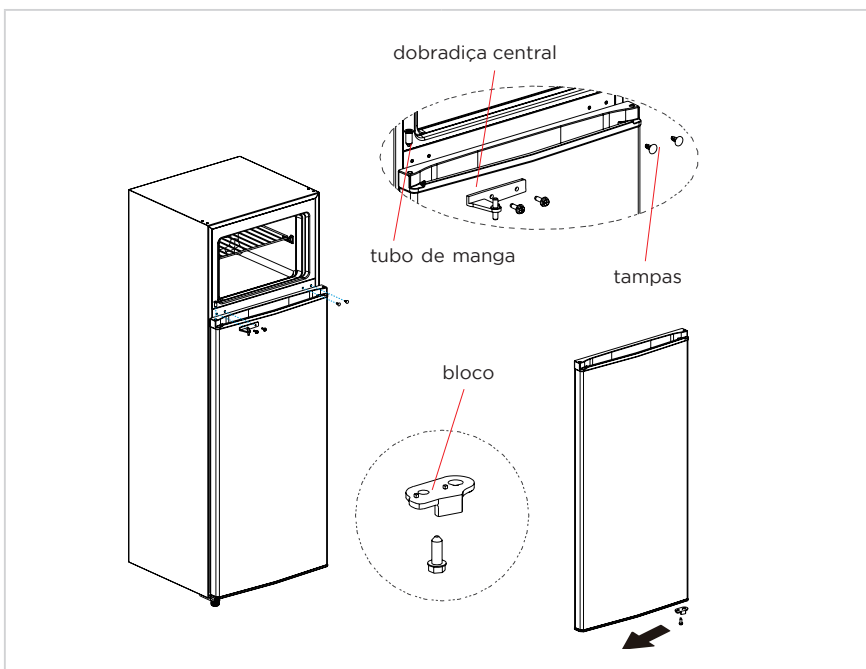
- Retire a porta do compartimento do congelador, a dobradiça central e o tubo de manga da porta do frigorífico e as tampas dos orifícios do outro lado.



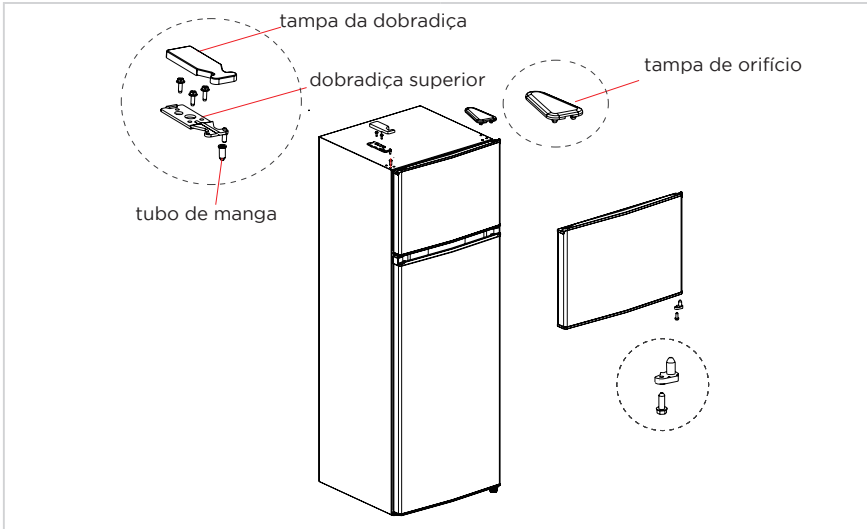
- Desmontar a porta do frigorífico, retirar a dobradiça inferior e o pé regulável do outro lado.
- Montar o conjunto da dobradiça inferior e do pé regulável do outro lado.



- Colocar o tampão da porta do frigorífico do outro lado.
- Colocar a porta de refrigeração na dobradiça inferior, encaixar a dobradiça central, as tampas dos orifícios e o tubo da porta de refrigeração.



- Colocar o tampão da porta do congelador do outro lado.
- Colocar a porta do congelador na dobradiça central, colocar a dobradiça superior, a tampa da dobradiça superior, o tubo da manga da porta do congelador e a tampa do orifício do outro lado.





NOTA

Todas as imagens são mostradas apenas para referência e a configuração real depende do produto físico ou da declaração do distribuidor.

Nivelamento das pernas

Para evitar vibrações, o aparelho deve estar nivelado.

Se necessário, ajustar os parafusos de nivelamento para compensar as irregularidades do chão. A parte da frente deve ser ligeiramente mais alta do que a parte de trás para facilitar o fecho da porta. Os parafusos de nivelamento podem ser facilmente rodados, inclinando ligeiramente o armário.

Rode os parafusos de nivelamento no sentido contrário ao dos ponteiros do relógio  para levantar a unidade e no sentido dos ponteiros do relógio  para a baixar.

Ligar o aparelho

Depois de instalar o aparelho, ligar a ficha a uma tomada eléctrica.

NOTA

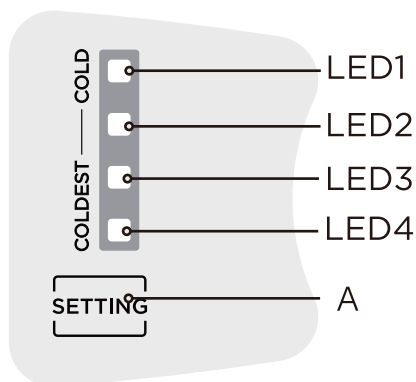
Depois de ligar o cabo de alimentação (ou a ficha) à tomada eléctrica, aguarde 2 a 3 horas antes de colocar alimentos no aparelho. Se os alimentos forem introduzidos antes de o aparelho ter arrefecido completamente, podem estragar-se.

Dicas de poupança de energia

- Não colocar o aparelho perto de fogões, radiadores ou outras fontes de calor. Se a temperatura ambiente for elevada, o compressor funcionará com mais frequência e durante mais tempo, o que aumentará o consumo de energia.
- Assegure-se de que existe ventilação suficiente na base do aparelho, nos lados e na parte de trás do aparelho. Nunca tape as aberturas de ventilação.
- Respeite também as medidas de afastamento descritas no capítulo "Instalação".
- A disposição das gavetas, prateleiras e tabuleiros mostrada na figura permite a utilização mais eficiente da energia, pelo que deve ser mantida na medida do possível. Todas as gavetas e prateleiras devem permanecer no aparelho para manter uma temperatura estável e poupar energia.
- Para um espaço de armazenamento maior (por exemplo, para produtos refrigerados/congelados de grandes dimensões), as gavetas intermédias podem ser retiradas. Se necessário, as gavetas e prateleiras superiores e inferiores devem ser retiradas em último lugar.
- Um compartimento do frigorífico/congelador uniformemente cheio contribui para uma utilização óptima da energia. Por conseguinte, evite compartimentos vazios ou meio vazios.
- Deixe os alimentos quentes arrefecerem antes de os colocar no frigorífico/congelador. Os alimentos que já arrefeceram aumentam a eficiência energética.
- Deixe que os alimentos congelados descongelem no frigorífico. A refrigeração de alimentos congelados reduz o consumo de energia no compartimento do frigorífico, aumentando assim a eficiência energética.
- Abrir a porta apenas o tempo necessário para minimizar a perda de frio. Abrir a porta por pouco tempo e fechá-la corretamente reduz o consumo de energia.
- As borrachas da porta do seu aparelho devem estar perfeitamente intactas para que as portas fechem corretamente e não aumentem desnecessariamente o consumo de energia.

INSTRUÇÕES DE USO

Painel de controlo



Ecrã	Botão	
1 LED 1	A	Regular a temperatura do compartimento do frigorífico
2 LED 2		
3 LED 3		
4 LED 4		

Ecrã

- Na primeira vez que é ligado, todos os LEDs se acendem durante 2 segundos e, em seguida, o frigorífico funciona com a predefinição (LED3 está ligado).
- Em caso de ausência de erros, indica a temperatura atual do frigorífico.
- Em caso de erro, o LED correspondente fica intermitente.
- Se for necessário voltar a visualizar o código de erro, desligue a alimentação eléctrica e volte a ligá-la.

Código de erro	Descrição do erro
LED1/LED3 pisca	Falha do sensor de temperatura ambiente
LED1/LED2/ LED4 pisca	Falha do sensor de descongelação do frigorífico

● NOTA

O painel de controlo real pode variar de modelo para modelo.

Regulação da temperatura

- Cada vez que o botão de regulação da temperatura A é premido uma vez, a regulação da temperatura muda uma vez. Quando a definição da temperatura estiver concluída, o frigorífico funcionará de acordo com o valor definido após 30s.

A regulação da mudança é:



Função PowerFreeze

- Premir e manter premido o botão de regulação da temperatura durante 6 segundos, entrará no modo PowerFreeze após 30 segundos e os LED3 e LED4 iluminam-se ao mesmo tempo.
- Após 40 horas de funcionamento no modo Super Freeze ou de premir o botão de regulação, sairá do modo PowerFreeze e voltará à definição anterior.
- Sugere-se que o modo PowerFreeze seja ativado durante 12 horas antes de colocar uma grande quantidade de alimentos congelados no congelador de uma só vez.

Função PowerCool

- Premir o botão de regulação da temperatura durante 3 segundos, entrará no modo PowerCool após 30 segundos e os LED1 e LED2 iluminam-se ao mesmo tempo.
- Depois de funcionar durante 6 horas no modo PowerCool ou de premir o botão de regulação, sai do modo PowerCool e regressa à definição anterior.

Modo de espera

- Premir e manter premido o botão de configuração durante 10s, todos os LEDs do painel de controlo se apagarão e o modo de espera será ativado após 30 segundos. Uma vez no modo de espera, prima novamente o botão set para ligar todos os LEDs e sair do modo.
- O frigorífico deixa de funcionar e a lâmpada desliga-se automaticamente no modo de espera.

NOTA

A função PowerFreeze foi concebida para manter o valor nutricional dos alimentos no congelador. Pode congelar alimentos no mais curto espaço de tempo possível. Se for congelada uma grande quantidade de alimentos de uma só vez, recomenda-se que o utilizador active a função PowerFreeze e introduza os alimentos. Neste momento, a velocidade de congelação do compartimento do congelador aumenta, o que permite congelar rapidamente os alimentos, bloquear eficazmente a nutrição dos alimentos e facilitar a sua conservação.

Dicas de conservação de alimentos

Câmara de congelamento

- A câmara de congelação a baixa temperatura pode manter os alimentos frescos durante muito tempo e é utilizada principalmente para armazenar alimentos congelados e fazer gelo.
- Utilize as prateleiras da porta do congelador apenas para guardar alimentos congelados e não para guardar alimentos quentes destinados a serem congelados.
- Não coloque alimentos frescos e congelados lado a lado. Os alimentos congelados podem descongelar.
- Quando congelar alimentos frescos (como carne, charcutaria ou carne picada), corte-os em partes que possam ser utilizadas ao mesmo tempo.
- Conservação dos alimentos congelados: as instruções são geralmente dadas na embalagem e devem ser seguidas. Se não houver qualquer informação na embalagem, os alimentos não devem ser conservados durante mais de três meses a partir da data de compra.
- Ao comprar alimentos congelados, certifique-se de que foram congelados a uma temperatura adequada e que a embalagem não está danificada.
- Os alimentos congelados devem ser mantidos em embalagens adequadas para manter a sua qualidade e devem ser devolvidos ao congelador o mais rapidamente possível.
- Se uma embalagem de alimentos congelados apresentar humidade ou um abaulamento anormal, é provável que tenha sido armazenada a uma temperatura incorrecta e que o conteúdo se tenha estragado.
- O prazo de validade dos alimentos congelados depende da temperatura ambiente, da regulação do termóstato, da frequência com que a porta do congelador é aberta, do tipo de alimento e do tempo de transporte do produto da loja para casa. Siga sempre as instruções impressas na embalagem e nunca exceda o prazo de validade máximo indicado na embalagem.

Câmara de refrigeração

- Para reduzir a humidade e a consequente formação de gelo, nunca coloque líquidos no frigorífico em recipientes não fechados. O gelo tende a concentrar-se nas partes mais frias do evaporador. Se guardar os líquidos destapados, terá de os descongelar com mais frequência.
- Nunca coloque alimentos quentes no frigorífico. Devem primeiro ser arrefecidos à temperatura ambiente e depois colocados de forma a garantir uma circulação de ar adequada no frigorífico.
- Os alimentos ou os recipientes para alimentos não devem tocar na parede traseira do frigorífico, pois podem congelar na parede. Não abrir regularmente a porta do frigorífico.
- A carne e o peixe limpos (embalados numa embalagem ou em folha de plástico) podem ser colocados no frigorífico e utilizados no prazo de 1-2 dias.
- A fruta e os legumes não embalados podem ser colocados na secção de fruta e legumes frescos.

NOTA

A regulação da temperatura ideal para cada compartimento depende da temperatura ambiente. A temperatura óptima superior baseia-se numa temperatura ambiente de 25 °C.

Ordem	Tipo de compartimento	Temp. óptima de armazenamento (°C)	Alimentos adequados
1	Frigorífico	$+2 \leq x \leq +8$	Os ovos, os alimentos cozinhados, os alimentos embalados, as frutas e os legumes, os produtos lácteos, os bolos, as bebidas e outros alimentos não são adequados para a congelação.
2	Congelação quatro estrelas	$x \leq -18$	Com capacidade de congelação, velocidade de congelação rápida, pode congelar e armazenar alimentos rapidamente. Adequado para congelar alimentos frescos, tais como marisco (peixe, camarão, marisco), marisco de água doce e produtos à base de carne. Recomendado para 3 - 6 meses, quanto maior for o tempo de armazenamento, pior será o sabor e a nutrição.
3	Congelação tres estrellas	$x \leq -18$	Com capacidade de congelação. Adequado para congelar alimentos frescos, tais como marisco (peixe, camarão, crustáceos), produtos marinhos de água doce e produtos à base de carne. Recomendado para um período máximo de 3 meses.
4	Congelação duas estrelas	$x \leq -12$	Apenas adequado para a conservação a médio prazo de alimentos já congelados, por exemplo, gelados. Recomendado não mais de 1 mês.
5	Congelação uma estrela	$x \leq -6$	Apenas adequado para refrigeração e armazenamento a curto prazo de pequenas quantidades de alimentos já congelados. Recomendado para um período não superior a 1 semana.
6	0 estrelas	$-6 \leq x \leq 0$	Carne de porco fresca, carne de vaca, peixe, frango, alguns alimentos transformados embalados, etc. (Recomenda-se o consumo no próprio dia, de preferência não mais de 3 dias). Alimentos transformados parcialmente embalados (alimentos não congeláveis).
7	Frio	$-2 \leq x \leq +3$	Carne fresca/congelada de porco, vaca, aves de capoeira, produtos aquáticos de água doce, etc. (7 dias abaixo de 0°C e acima de 0°C no próprio dia de consumo ou, de preferência, não mais de 2 dias). Marisco menos de 0 durante 15 dias, não é recomendada a conservação acima de 0°C.
8	Produtos frescos	$0 \leq x \leq +4$	Carne de porco, carne de vaca, peixe, aves de capoeira, alimentos cozinhados, etc., frescos (recomenda-se o consumo no próprio dia, de preferência com não mais de 3 dias)
9	Vinho	$+5 \leq x \leq +20$	Vinho tinto, vinho branco, vinho espumante, etc.

NOTA

Armazene diferentes alimentos de acordo com os compartimentos ou a temperatura de conservação pretendida.

MANUNTENÇÃO E CUIDADO

Descongelação

- Desligar o frigorífico.
- Retirar todos os alimentos do frigorífico e armazená-los devidamente para evitar o seu derretimento.
- Limpar o tubo de drenagem, utilizando materiais macios para evitar danos. Preparar recipientes para segurar a água descongelada. Certifique-se de limpar cuidadosamente o recipiente de condensação no compartimento do compressor para evitar que este se derrame sobre o chão.
- Pode deixar o frigorífico descongelar à temperatura ambiente, ou utilizar um raspador para remover o gelo, mas este deve ser feito de plástico ou madeira para evitar danificar os tubos ou outros componentes.
- Também se pode utilizar uma quantidade adequada de água quente para acelerar a descongelação, e depois secá-la com uma toalha seca.
- Depois de descongelar, voltar a colocar os alimentos no compartimento e ligar o frigorífico.

Periodos prolongados de desuso

Falha de corrente:

Em caso de falha de energia, a comida dentro do aparelho pode ser guardada durante várias horas, mesmo no Verão. Durante uma falha de energia, reduzir os tempos de abertura das portas e não colocar mais comida no frigorífico.

Se não vai ser usado durante muito tempo:

O aparelho deve ser desligado da tomada e depois limpo; e as portas devem ser deixadas abertas para evitar a formação de odores.

Deslocação:

Antes de deslocar o frigorífico, retirar todos os artigos do interior, colar as prateleiras de vidro, gaveta mais estaladiça, gavetas de congelação, etc., e apertar os pés de nivelamento. Fechar as portas e prendê-las com fita adesiva. Ao mover o aparelho, este não deve ser colocado de cabeça para baixo ou horizontalmente, e qualquer sacudidela deve ser evitada. A inclinação durante o movimento não deve exceder 45

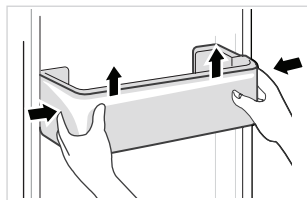


Atenção

O dispositivo deve funcionar continuamente depois de ter sido ligado. Em geral, evite interromper o funcionamento do dispositivo, caso contrário a sua vida útil pode ser afectada.

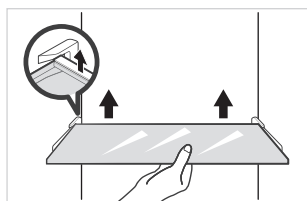
Limpeza do tabuleiro da porta

- Seguindo as flechas de direção na imagem, utilize as duas mãos para apertar o tabuleiro e empurrá-lo para cima, podendo depois retirá-lo.
- Quando o tabuleiro for retirado, pode ajustar a altura de instalação de acordo com as suas necessidades.



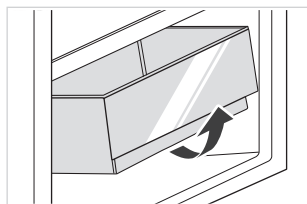
Limpar a prateleira de vidro

- O frigorífico tem um batente traseiro, pelo que terá de levantar as prateleiras para cima para as retirar.
- Ajuste ou limpe as prateleiras de acordo com as suas necessidades.



Limpeza da gaveta das frutas e legumes

- Retirar o conteúdo da gaveta. Agarrar na pega da gaveta e puxar a gaveta até ao fim até parar.
- Levante a gaveta e puxe-a para fora.



● NOTA

Para a limpeza, sugere-se a utilização de panos macios ou de uma esponja embebida em água e detergentes neutros não corrosivos. Por fim, o congelador deve ser limpo com água limpa e um pano seco. Abrir a porta para deixar secar ao ar livre antes de ligar a corrente eléctrica. Não utilize escovas duras, esfregões metálicos, escovas de arame, abrasivos como pasta de dentes, solventes orgânicos (como álcool, acetona, óleo de banana, etc.), água a ferver ou produtos de limpeza ácidos ou alcalinos, pois podem danificar a superfície do frigorífico e o seu interior.

RESOLUÇÃO DE PROBLEMAS

Pode tentar resolver estes problemas você mesmo. Se não forem resolvidos, por favor contacte o centro de serviço oficial.

Problema	Causa
Mau funcionamento	• Verificar se o aparelho está ligado à rede e se a ficha faz o contacto correcto.
	• Verificar se a voltagem é demasiado baixa.
	• Verificar se há uma falha de energia ou um circuito defeituoso.
Cheiro	• Envolver bem os alimentos com cheiros fortes.
	• Verificar se há comida estragada.
	• Limpar o interior do frigorífico.
Compressor está em funcionamento há muito tempo	• Isto é normal no Verão
	• Quando a temperatura ambiente é mais elevada, não se recomenda que o frigorífico esteja demasiado cheio.
	• Deixe a comida arrefecer antes de a pôr dentro.
	• As portas são abertas com demasiada frequência.
A luz não acende	• Verificar se o frigorífico está ligado à fonte de alimentação, e se a lâmpada do frigorífico está danificada.
	• Em caso afirmativo, mandar substituir por um profissional.
As portas não fecham correctamente	• A porta pode ser bloqueada por alimentos.
	• O frigorífico está inclinado.
Barulho alto	• Verificar se o chão está nivelado e se o frigorífico está estável.
	• Verificar se os acessórios estão correctamente posicionados.

Problema	Causa
O fecho da porta não fecha corretamente	<ul style="list-style-type: none"> • Remover quaisquer detritos ou objectos que possam estar nos selos. • Aqueça o fecho da porta e deixe-o arrefecer (pode usar um secador eléctrico ou uma toalha quente).
Sobrefluxo na bandeja de água	<ul style="list-style-type: none"> • Demasiada comida é armazenada, ou a comida contém demasiada água, resultando em descongelação. • As portas não estão devidamente fechadas. A entrada de ar cria gelo e aumenta a água devido ao descongelamento.
Paredes quentes	<ul style="list-style-type: none"> • A dissipação de calor do condensador incorporado através das paredes é normal. Se for devido a uma temperatura ambiente muito elevada ou a demasiados alimentos armazenados, recomenda-se uma boa ventilação para facilitar a dissipação de calor.
Condensação da superfície	<ul style="list-style-type: none"> • A condensação no exterior e na previsão do tempo é normal se a humidade ambiente for muito elevada. Limpar com um pano limpo.
Ruído anormal	<ul style="list-style-type: none"> • Zumbido: O compressor pode zumbir durante o funcionamento, especialmente durante o arranque e o desligamento. Isto é normal. • Rangido: O fluxo de refrigerante no interior do frigorífico pode produzir ruídos de ranger, que também são normais.

ANEXO

Especial para a nova norma europeia:

As peças da tabela seguinte podem ser adquiridas no nosso serviço pós-venda:

Peça sobresalente	Vendido a	Tempo mínimo de disponibilidade
Termóstatos	Profissionais de manutenção	Pelo menos 7 anos após o lançamento do último modelo
Sondas de temperatura	Profissionais de manutenção	Pelo menos 7 anos após o lançamento do último modelo
Placas de circuito impresso	Profissionais de manutenção	Pelo menos 7 anos após o lançamento do último modelo
Luzes	Profissionais de manutenção	Pelo menos 7 anos após o lançamento do último modelo
Puxadores de porta	Serviços de reparação e utilizadores finais	Pelo menos 7 anos após o lançamento do último modelo
Dobradiças	Serviços de reparação e utilizadores finais	Pelo menos 7 anos após o lançamento do último modelo
Prateleiras	Serviços de reparação e utilizadores finais	Pelo menos 7 anos após o lançamento do último modelo
Cestas	Serviços de reparação e utilizadores finais	Pelo menos 7 anos após o lançamento do último modelo
Borrachas de porta	Serviços de reparação e utilizadores finais	Pelo menos 10 anos após o lançamento do último modelo

Caro utilizador,

1. Se desejar devolver ou trocar o produto, deve contactar a loja onde o comprou. (Lembre-se de trazer consigo o seu recibo ou factura).
2. Se o seu produto sofrer uma avaria e precisar de ser reparado, por favor contacte o serviço pós-venda.

NOTA

As informações sobre o modelo na base de dados do produto, bem como o identificador do modelo, podem ser obtidas através de uma hiperligação web digitalizada através de um código QR, se disponível, na etiqueta de eficiência energética do produto.

Para obter mais informações sobre a eficiência energética do aparelho, visite <https://ec.europa.eu> e pesquise utilizando o nome do modelo.

O nome do modelo pode ser encontrado na etiqueta de classificação do aparelho.

Ficha do Produto

Marca comercial	TEKA
Modelo	RTF 3210
Categoria	Frigorífico - congelador
Classe de eficiência energética	E
Consumo de energia de kWh/a, com base nos resultados do ensaio normalizado durante 24 horas. O valor real do consumo de energia dependerá do modo de utilização do aparelho e da sua localização	177kWh/a
Volume do compartimento frigorífico (L)	194.0L
Volume do compartimento de Estrela (L)	✳️
Volume do compartimento congelador(L)	41.0L
Volume do outros compartimentos(L)	/
Tipo de Descongelação, frigorífico	Descongelação manual
Tipo de Descongelação, congelador	Descongelação manual
Tempo de subida de temperatura (h)	8h
Capacidade de congelação (kg/24h)	2kg/24h
Classe climática	SN/N/ST
Este aparelho destina-se a ser utilizado a uma temperatura ambiente entre 10 °C e 38 °C	
Nível de ruído db(A)	40db(A)

TeKa Subsidiaries

Country Subsidiary	Address	City	Phone
Austria Küppersbusch Austria	Eitnergasse, 13	1231 Wien	+43 18 668 022
Belgium Küppersbusch Belgium S.P.R.L.	Doomveld Industrie, Asse 3, No. 11 - Boite 7	1731 Zellik	+32 24 668 740
Bulgaria TeKa Bulgaria EOOD	Bldv. "Tsarigradsko Shosse" 135	1784 Sofia	+359 29 768 330
Chile TeKa Chile S.A.	Avd El Retiro Parque los Maitenes, 1237. Parque Enea	Pudahuel, Santiago de Chile	+ 56 24 386 000
China TeKa International Trading (Shanghai) Co. Ltd.	No. 1506, Shengyuan Henghua Bldg. No. 200 Wending Rd.	Xuhui, Dist. 200030 Shanghai	+86 2 153 076 996
Czech Republic TeKa CZ S.R.O.	V Holesovickách, 593	182 00 Praha 8 - Liben	+420 284 691 940
Ecuador TeKa Ecuador S.A.	Parque Ind. California 2, Via a Daule Km 12	Guayaquil	+593 42 100 311
Greece TeKa Hellas A.E.	Thesi Roupaki - Aspropyrgos	193 00 Athens	+30 2 109 760 283
Hungary TeKa Hungary Kft.	Bajcsy Zsilinszky u. 53	1065 Budapest	+36 13 542 110
Indonesia PT TeKa Buana	Jalan Menteng Raya, Kantor Taman A9 Unit A3	12950 Jakarta	+62 215 762 272
Malaysia TeKa KÜchentechnik (Malaysia) Sdn Bhd	10 Jalan Kartunis U1/47, Temasya Park, Off Glenmarie	40150 Shah Alam, Selangor Darul Ehsan	+60 376 201 600
Mexico TeKa Mexicana S.A. de C.V.	Ferrocarril 200, Esquina Norte 29, Col. Moctezuma	15500 Mexico D.F.	+52 5 551 330 493
Morocco TeKa Maroc S.A.	73, Bd. Slimane, Dépôt 33, Route de Ain Sebaa	Casablanca	+212 22 674 462
Peru TeKa KÜchentechnik Perú S.A.	Av. El Polo 670 local A 201, CC El polo, Surco	Lima	+51 14 363 078
Poland TeKa Polska Sp. ZO.O.	ul. 3-go Maja 8 / A2	05-800 Pruszkow	+48 227 383 270
Portugal TeKa Portugal S.A.	Estrada da Mota - Apdo 533	3834-909 Ilhavo, Aveiro	+35 1 234 329 500
Romania S.C. TeKa KÜchentechnik Romania S.R.L.	Sevastopol str., no 24, 5th floor, of. 15	010992 Bucharest Sector 1	+40 212 334 450
Russia/Россия TeKa Rus LLC/OOO "TeKa Pyc"	Neverovskovo 9, Office 417, 121170, Moscow, Russia	121087 Россия, Москва	+7 4 956 450 064
Singapore TeKa Singapore PTE Ltd	Clemenceau Avenue, 83, 01-33/34 UE Square	239920 Singapore	+65 67 342 415
Spain TeKa Industrial, S.A.	C/ Cajo,17	39011 Santander	+34 942 355 050
Thailand TeKa (Thailand) Co. Ltd.	364/8 Sri-Ayuttaya Road, Phayathai, Ratchatavee	10400 Bangkok	+66 -26 424 888
Turkey TeKa Teknik Mutfak Aletleri Sanayi Ve	Büyükdere Cad. 24/13	80290 Mecidiyeköy, Istanbul	+90 2 122 883 134
Ukraine TeKa Ukraine LLC	86-e, Bozhenko Str. 2nd floor, 4th entrance	03150 Kyiv	+380 444 960 680
United Arab Emirates TeKa Middle East Fze	Building LOB 16, Office 417	P.O. Box 18251 Dubai	+971 48 872 912
United Arab Emirates TeKa KÜchentechnik U.A.E LLC	Bin Khedia Centre	P.O. Box 35142 Dubai	+971 42 833 047
Venezuela TeKa Andina S.A.	Ctra. Petare-Santa Lucia, km 3 (El Limoncito)	1070 Caracas	+58 2 122 912 821
Vietnam TEKA Vietnam Co., Ltd.	803, Floor 8th, Daiminh Convention Center, 77, Hoang Van Thai, Tan Phu Ward, District 7, Ho Chi Minh		+84 854 160 646





FR

Cet appareil
et ses accessoires
se recyclent

REPRISE
À LA LIVRAISON



OU

À DÉPOSER
EN MAGASIN



OU

À DÉPOSER
EN DÉCHÈTERIE



Points de collecte sur www.quefairedemesdechets.fr
Privilégiez la réparation ou le don de votre appareil !

www.teka.com