

CANDY

User Manual



Refrigerator-Freezer

CNCQ4T620E*

CNCQ4T620D*

CNCQ4T620C*

CNCQ4T618E*

CNCQ4T618D*

EN

DE

EL

ES

ET

FR

IT

LT

LV

NL

PL

PT

SL

DOWNLOAD THE hOn App

Discover extra contents



**WARNING: Risk of fire/ flammable material****EN**

The symbol indicates there is a risk of fire since flammable materials are used. Take care to avoid causing a fire by ingiting flammable material.

WARNUNG: Brandgefahr/brennbares Material.**DE**

Das Symbol zeigt an, dass Brandgefahr besteht, da brennbare Materialien verwendet werden. Achten Sie darauf, dass kein Feuer entstehen kann, indem brennbares Material sich entzündet.

ΠΡΟΕΙΔΟΠΟΙΗΣΗ: Κίνδυνος πυρκαγιάς/ εύφλεκτα υλικά**EL**

Το σύμβολο υποδεικνύει ότι υπάρχει κίνδυνος πυρκαγιάς, καθώς χρησιμοποιούνται εύφλεκτα υλικά. Επιδείξτε προσοχή για την αποτροπή της πρόκλησης πυρκαγιάς εξαιτίας των εύφλεκτων υλικών.

ADVERTENCIA: Riesgo de incendio/material inflamable.**ES**

Este símbolo indica que existe riesgo de incendio dado que el electrodoméstico contiene materiales inflamables. Tenga cuidado para evitar provocar un incendio por la ignición del material inflamable.

HOIATUS! Tuleoht/ tuleohtlik materjal**ET**

Sümbol näitab tuleohtu, kuna kasutatakse tuleohtlikke materjale. Pöörake tähelepanu tuleohtlike materjalide süttimisega kaasnevale tulekahju ohule.

AVERTISSEMENT : Risque d'incendie/matière inflammable**FR**

Le symbole indique qu'il y a un risque d'incendie, étant donné que des matières inflammables sont utilisées. Évitez de provoquer un incendie en brûlant des matières inflammables.

AVVERTENZA: Rischio di incendio/materiale infiammabile**IT**

Il simbolo indica che esiste il rischio di incendio poiché sono utilizzati materiali infiammabili. Prestare particolare attenzione per evitare incendi causati dall'accensione di materiali infiammabili.

ĮSPĖJIMAS. Gaisro / degių medžiagų pavojus**LT**

Šis simbolis rodo, kad yra gaisro pavojus, nes naudojami degios medžiagos. Saugokitės, kad nekiltų gaisras užsidegus degioms medžiagoms.

BRĪDINĀJUMS. Aizdeģšanās/uzliesmojošu materiālu risks**LV**

Šis simbols norāda, ka pastāv aizdeģšanās risks, jo tiek izmantoti uzliesmojoši materiāli. Nepieļaujiet uzliesmojoša materiāla aizdeģšanos, lai netiktu izraisīts ugunsgrēks.

WAARSCHUWING: Risico op brand/ontvlambaar materiaal**NL**

Het symbool geeft aan dat er brandgevaar bestaat doordat brandbare materialen worden gebruikt. Let op dat u geen brand veroorzaakt door brandbare materialen te ontsteken.

OSTRZEŻENIE: Ryzyko pożaru / materiał łatwopalny**PL**

Ten symbol wskazuje na ryzyko pożaru, ponieważ urządzenie zawiera materiały łatwopalne. Uważaj, aby nie spowodować pożaru przez podpalenie łatwopalnego materiału.

AVISO: Risco de incêndio/material inflamável**PT**

O símbolo indica que existe um risco de incêndio, uma vez que são utilizados materiais inflamáveis. Tenha cuidado para evitar provocar um incêndio acendendo material inflamável.

OPOZORILO: Nevarnost požara/vnetljiv material**SL**

Simbol označuje nevarnost požara, saj se uporabljajo vnetljivi materiali. Pazite, da ne povzročite požara z vžigom vnetljivega materiala.

<u>5 Safety information</u>	•	<u>Before first use</u>	6
		<u>Installation</u>	6
		<u>Daily use</u>	7
<u>10 Intended use</u>	•		
<u>11 Product description</u>	•		
<u>13 Control panel</u>	•		
<u>14 Use</u>	•	<u>Adjust the temperature for fridge</u>	15
		<u>Adjust the temperature for freezer</u>	15
		<u>Super freeze function</u>	15
		<u>Super cool function</u>	15
		<u>Fresh 0°C function</u>	15
<u>20 Equipment</u>	•		
<u>22 Energy saving tips</u>	•		
<u>23 Care and cleaning</u>	•		
<u>25 Troubleshooting</u>	•		
<u>29 Installation</u>	•		
<u>33 Technical data</u>	•		
<u>35 Customer service</u>	•		



Please click the contents to look at the detail information.



Thank you for purchasing a Candy Product.

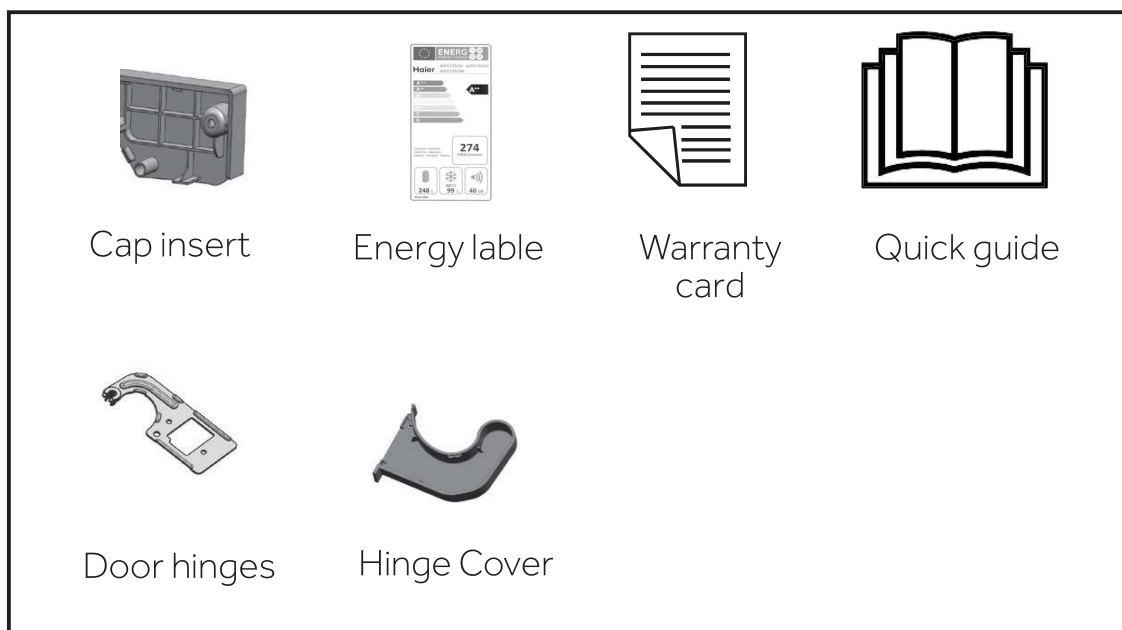
Please read these instructions carefully before using this appliance. The instructions contain important information which will help you get the best out of the appliance and ensure safe and proper installation, use and maintenance.

Keep this manual in a convenient place so you can always refer to it for the safe and proper use of the appliance.

If you sell the appliance, give it away, or leave it behind when you move house, make sure you also pass this manual so that the new owner can become familiar with the appliance and safety warnings.

Accessories

Check the accessories and literature in accordance with this list:





WARNING – Important Safety information



NOTICE-General information and tips



Environmental information



Disposal

Help protect the environment and human health. Put the packaging in applicable containers to recycle it. Help to recycle waste of electrical and electronic appliances. Do not dispose appliances marked with this symbol with the household waste. Return the product to your local recycling facility or contact your municipal office.



WARNING!

Risk of injury or suffocation!

Refrigerants and gases must be disposed of professionally. Ensure that the tubing of the refrigerant circuit is not damaged before being properly disposed of. Disconnect the appliance from the mains supply. Cut off the mains cable and dispose of it. Remove the trays and drawers as well as the door catch and seals, to prevent children and pets to get closed in the appliance.



Before switching on the appliance for the first time read the following safety hints!:



WARNING!

Before first use

- ▶ Make sure there is no transport damage.
- ▶ Remove all packaging and keep out of children's reach.
- ▶ Wait at least two hours before installing the appliance in order to ensure the refrigerant circuit is fully efficient.
- ▶ Handle the appliance always with at least two persons because it is heavy.

Installation

- ▶ The appliance should be placed in a well-ventilated place. Ensure a space of at least 10 cm above and around the appliance.
- ▶ Never place the appliance in a damp area or location where it might be splashed with water. Clean and dry water splashes and stains with a soft clean cloth.
- ▶ Do not install the appliance in direct sunlight or in the near of heat sources (e.g. stoves, heaters).
- ▶ Install and level the appliance in an area suitable for its size and use.
- ▶ Keep ventilation openings in the appliance or in the in-built structure clear of obstruction.
- ▶ Make sure that the electrical information on the rating plate agrees with the power supply. If it does not, contact an electrician.
- ▶ The appliance is operated by a 220-240 VAC/50 Hz power supply. Abnormal voltage fluctuation may cause the appliance to fail to start, or damage to the temperature control or compressor, or there may be an abnormal noise when operating. In such case, an automatic regulator shall be mounted.
- ▶ Do not use multi-plug adapters and extension cables.
- ▶ Do not locate multiple portable socket-outlets or portable power supplies at the rear of the appliance.
- ▶ Ensure that the power cable is not trapped by the refrigerator. Do not step on the power cable.



WARNING!

- ▶ Use a separate earthed socket for the power supply which is easy accessible. The appliance must be earthed.
Only for UK: The appliance's power cable is fitted with 3-cord (grounding) plug that fits a standard 3-cord (grounded) socket. Never cut off or dismount the third pin (grounding). After the appliance is installed, the plug should be accessible.
- ▶ Do not damage the refrigerant circuit.

Daily use

- ▶ This appliance can be used by children aged from 8 years and above and persons with reduced physical, sensory or mental capabilities or lack of experience and knowledge if they have been given supervision or instruction concerning use of the appliance in a safe way and understand the hazards involved.
- ▶ Children aged from 3 to 8 years are allowed to load and unload, but not allowed to clean or install the refrigerating appliances.
- ▶ Keep away children under 3 years of age from the appliance unless they are constantly supervised.
- ▶ Children shall not play with the appliance.
- ▶ If cool gas or other inflammable gas is leaking in the vicinity of the appliance, turn off the valve of the leaking gas, open the doors and windows and do not unplug a plug in the power cable of the refrigerator or any other appliance.
- ▶ Notice that the appliance, for example CNCQ4T620EX, CNCQ4T620EW, CNCQ4T618EX, CNCQ4T618EW, CNCQ4T618EB, is set for operation at a specific ambient range between 10 °C and 38°C. The appliance may not work properly if it is left for a long period at a temperature above or below the indicated range.
- ▶ Notice that the appliance, for example CNCQ4T620DX, CNCQ4T620DW, CNCQ4T620CX, is set for operation at a specific ambient range between 10 °C and 43°C. The appliance may not work properly if it is left for a long period at a temperature above or below the indicated range.
- ▶ Do not place unstable articles (heavy objects, containers filled with water) on top of the refrigerator, to avoid personal injury caused by falling or electric shock caused by contact with water.
- ▶ Do not pull on the door shelves. The door may be pulled slant, the bottle rack, may be pulled away, or the appliance may topple.



WARNING!

- ▶ Do not store or use inflammable, explosive or corrosive materials in the appliance or in the vicinity.
 - ▶ Do not store medicines, bacteria or chemical agents in the appliance. This appliance is a household appliance. It is not recommended to store materials that require strict temperatures.
 - ▶ Never store liquids in bottles or cans (besides high percentage spirits) especially carbonated beverages in the freezer, as these will burst during freezing.
 - ▶ Check the condition of food if a warming in the freezer has taken place.
 - ▶ Do not set unnecessarily low temperature in the refrigerator compartment. Minus temperatures may occur at high settings. Attention: Bottles can burst
 - ▶ Do not touch frozen goods with wet hands (wear gloves). Especially do not eat ice lollies immediately after removal from the freezer compartment. There is the risk to freeze or the formation of frost blisters. FIRST aid: keep immediately under running cold water. Do not pull away!
 - ▶ Do not touch the inside surface of the freezer storage compartment when in operation, especially with wet hands, as your hands may freeze onto the surface.
 - ▶ Unplug the appliance in the event of a power interruption or before cleaning. Allow at least 7 minutes before restarting the appliance, as frequent starting may damage the compressor.
 - ▶ Do not use electrical devices inside the food storage compartments of the appliance, unless they are of the type recommended by the manufacturer.
- Maintenance / cleaning
- ▶ Make sure children are supervised if they carry out cleaning and maintenance.
 - ▶ Disconnect the appliance from the electrical supply before undertaking any routine maintenance. Allow at least 5 minutes before restarting the appliance, as frequent starting may damage the compressor.
 - ▶ When positioning the appliance, ensure the supply cord is not trapped or damaged.
 - ▶ Do not locate multiple portable socket-outlets or portable power supplies at the rear of the appliance.
 - ▶ Do not use electrical appliances inside the food storage compartments of the appliance, unless they are of the type recommended by the manufacturer.
 - ▶ Do not store explosive substances such as aerosol cans with a flammable propellant in this appliance.



WARNING!

- ▶ Hold the plug, not the cable, when unplugging the appliance.
- ▶ Do not clean the appliance with hard brushes, wire brushes, detergent powder, petrol, amyl acetate, acetone and similar organic solutions, acid or alkaline solutions. Please clean with special refrigerator detergent to avoid damage.
- ▶ Do not scrape off frost and ice with sharp objects. Do not use sprays, electric heaters like heater, hair dryer, steam cleaners or other sources of heat in order to avoid damage to the plastic parts.
- ▶ Do not use mechanical devices or other means to accelerate the defrosting process, other than those recommended by the manufacturer.
- ▶ If the supply cord is damaged, it must be replaced by the manufacturer, its service agent or similarly qualified persons in order to avoid a hazard.
- ▶ Do not try to repair, disassemble or modify the appliance by yourself. In case of repair please contact our customer service.
- ▶ Eliminate the dust on the back of the unit at least once in the year to avoid hazard by fire, as well as increased energy consumption.
- ▶ Do not spray or flush the appliance during cleaning.
- ▶ Do not use water spray or steam to clean the appliance.
- ▶ Do not clean the cold glass shelves with hot water. Sudden temperature change may cause the glass to break.

Refrigerant gas information



WARNING!

The appliance contains the flammable refrigerant ISOBUTANE (R600a). Make sure the refrigerant circuit is not damaged during transportation or installation. Leaking refrigerant may cause eye injuries or ignite. If a damage has occurred, keep away open fire sources, thoroughly ventilate the room, do not plug or unplug the power cords of the appliance or any other appliance. Inform the customer service.

In case of eyes get into contact with the refrigerant, rinse immediately it under running water and call immediately the eye specialist.








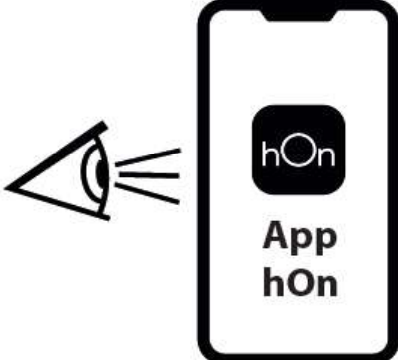
Intended use

This appliance is intended for cooling and freezing food. It has been designed exclusively for use in household and similar applications such as staff kitchen areas in shops, offices and other working environments; farm houses and by clients in hotels, motels and other residential type environments as well as in bed-and-breakfast and catering business. It is not intended for commercial or industrial use. Changes or modifications to the device are not allowed. Unintended use may cause hazards and loss of warranty claims.

Standards and directives

This product meets the requirements of all applicable EC directives with the corresponding harmonised standards, which provide for CE marking.

IN APP PAIRING PROCEDURE

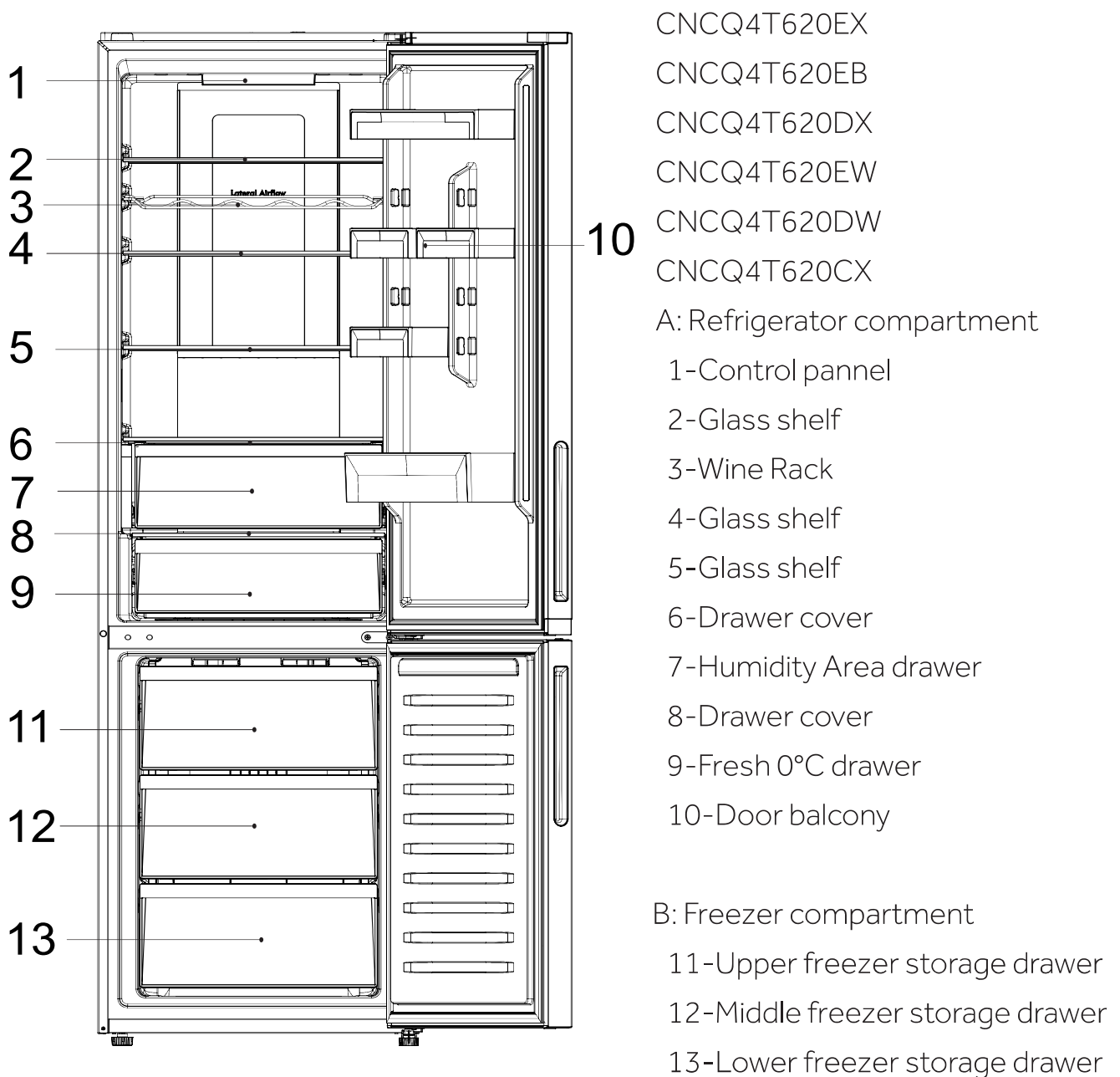
Step 1 • Download the hOn app on the stores    	
Step 2 • Create your account on the hOn App or log in if you already have an account 	Step 3 • Follow pairing instructions in the hOn App 

Radio-module - Technical data

Frequency rate (OFR)	2400 MHz-2843.5 MHz
Channel frequencies	2412...2472 MHz(step size 5 MHz)
Maximum power(EIRP)	100 mW

i NOTICE

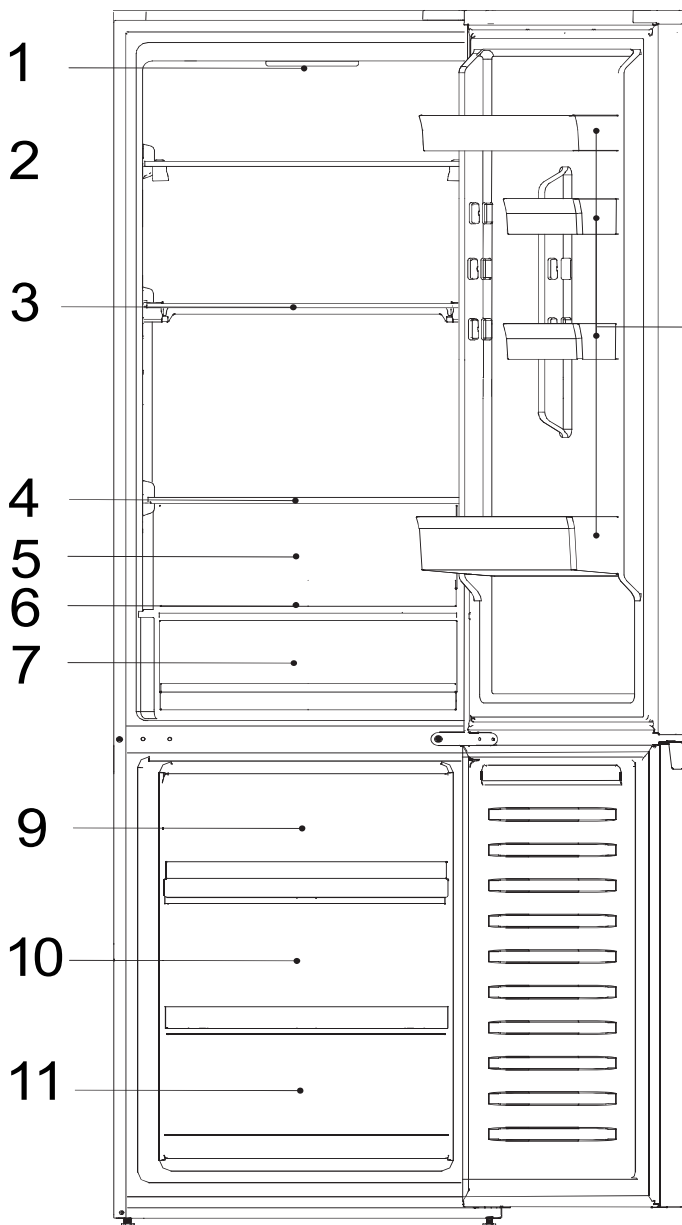
Due to technical changes and different models, some of the illustrations in this manual may differ from your model.





i NOTICE

Due to technical changes and different models, some of the illustrations in this manual may differ from your model.



CNCQ4T618DW

CNCQ4T618CX

CNCQ4T618EX

CNCQ4T618EB

CNCQ4T618EW

8 A: Refrigerator compartment

1-Control pannel

2-Glass shelf

3-Glass shelf

4-Glass shelf

5-Humid y Zone drawer

6-Drawer cover

7- Fresh 0°C drawer

8-Door balcony

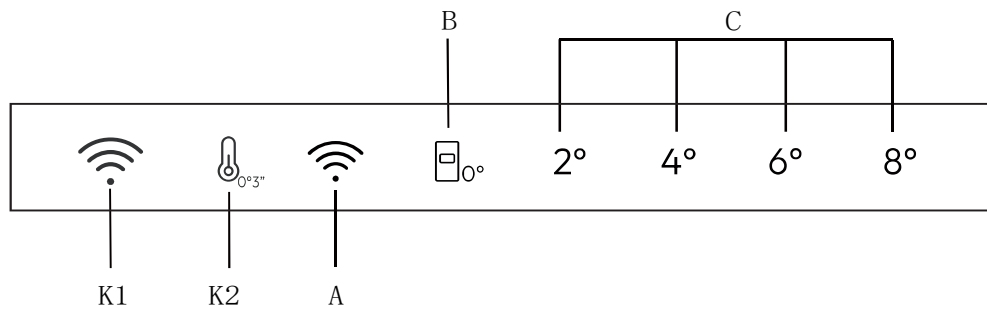
B: Freezer compartment

9-Upper freezer storage drawer

10-Middle freezer storage drawer

11-Lower freezer storage drawer

Control panel



Buttons

- K1 Wi-Fi function on/off.
- K2 Temperature selection on/off key, used to switch on/off fresh 0°C Indicators
- A Wi-Fi display.

Indicators

- B Fresh 0°C function
- C Fridge temperature display

Before first use

- ▶ Remove all packaging materials, keep them out of children's reach and dispose them in an environment friendly way.
- ▶ Clean the inside and outside of the appliance as well as the interior and accessories with water and a mild detergent, and dry it well with soft cloth.
- ▶ After the appliance has been levelled and cleaned, please wait for at least 2 hours before connecting it to the power supply. See Section INSTALLATION.
- ▶ Precool the compartments at high settings before loading with food.

Mechanical buttons

The buttons on the control panel are mechanical buttons.

Switch on /off the appliance

The appliance is in operation as soon as it is connected to the power supply.

When the refrigerator is first powered on, the indicator "4" of "B" (Fridge temperature display) and the indicator "0°" of 0°C storage drawer illuminates. The fridge temperature and freezer temperature are automatically set to 4°C and -20°C respectively, 0°C storage drawer come into operation.



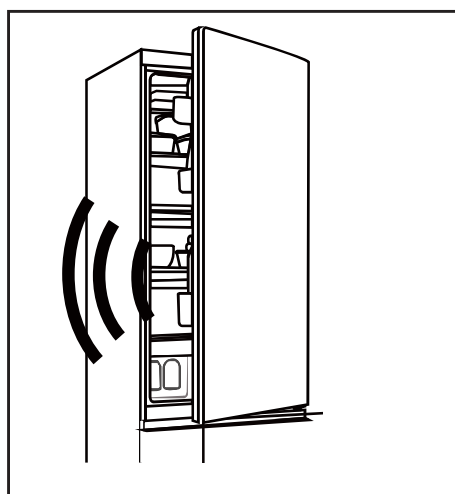
NOTICE

The appliance is preset to the recommended temperature of 4°C. These are the recommended settings. If desired, you can change these temperatures manually.

Door opening alarm

When the refrigerator door is open for more than 3 minutes, the door opening alarm will sound.

The alarm can be silenced by closing the door. If the door is open for more than 7 minutes, the light inside the refrigerator and control panel illumination will automatically turn off.



Power on/off

When the appliance is in the power on, press the K1 button for 3 seconds, the appliance enters standby mode, the compressor stops working, and the light extinguish; When the appliance is in standby mode, press the K1 button for 3 seconds, the appliance is power on, the compressor will work, and the light will be on.

Adjust the temperature

The indoor temperatures are influenced by the following factors:

Ambient temperature



Frequency of door opening

Amount of stored foods

Installation of the appliance`

Adjust the temperature for fridge/freezer compartment

1. Press the key "K2" (Fridge Temperature Selection) to select the Fridge Temperature;

2. Indicator "B" (Fridge temperature display) will be bright alternately as below;

2° → 4° → 6° → 8°

3. When selecting the Fridge temperature from the control panel, the corresponding temperature for Freezer is 2°(-22°) → 4°(-20°) → 6°(-18°) → 8°(-16°).

Fresh 0°C Function

To enter "0°" mode, with the fridge door open, press the K2 for 3 seconds with an acoustic signal, the indicator "0°" illuminates, the temperature of fresh 0°C will nearby 0°C.

To exit "0°" mode, with the fridge door open, press the K2 for 3 seconds and an acoustic signal, the indicator "0°" extinguish; the temperature of the "0°" drawer will change with the temperature of the refrigeration.

Gear Adjustment

After the Wi-Fi of the refrigerator is successfully connected, you can adjust the gear through the APP, after adjustment, the indicators C display will be extinguish. The door light flashes once for every successful gear adjustment.

The adjustable range of fridge is 2°, 3°, 4°, 5°, 6°, 7°, 8°;

The adjustable range of freezer is -24°, -23°, -22°, -21°, -20°, -19°, -18°, -17°, -16°.

The fresh 0°C function can be opened or closed.

Super Freeze Function

1. Fresh food should be frozen as quickly as possible to the core. This can preserve the best nutritional value, appearance and taste. The Super Freeze function accelerates the freezing of fresh food and protects the food already stored from undesirable warming. If you need to freeze a large amount of food at once, it is recommended to set the Super Freeze function on ahead for 24h the usage of frozen room.

2. You can enter the Super freeze function through APP, and at this time the display



NOTICE

1. The appliance quits "Super Freeze function" after entering "Super Freeze function" for 50 hours or pressing "K2" or turn it off from the APP.

2. In the state of Super Freeze, you cannot adjust the temperature for freeze compartment.

Super Cool Function

1. It is suggested to switch on the Super Cool function if larger quantity of food



should be stored (for example after the purchase). The Super Cool function accelerates the cooling of fresh food and protects the food already stored from undesirable warming.

2. You can enter the Super cool function through APP, and at this time the display board C icon are extinguish.

NOTICE

1. The appliance quits "Super cool function" after entering "Super cool function" for 6 hours or pressing "K2" or turn it off from the APP.
2. In the state of Super cool, you cannot adjust the temperature for fridge compartment

Holiday Function

The Holiday function can be used to reduce the energy consumption of the appliance, when it is not used regularly. When the function is on, the fridge is turned off, whereas the freezer will keep working normally. The function sets the fridge temperature permanently to 17°C.

You can enter the Holiday Function through APP, and at this time the display board C icon are extinguish.

NOTICE

The function can be deactivated by setting the fridge temperature or by performing any other setting, or turning it off from the App.

When Holiday mode is on, the refrigerated light is off.

Wi-Fi Interconnection Function

Under the refrigeration open door state, long press K1 key for 3S, the refrigerator sounds a beep, A icon flashes rapidly, and Wi-Fi enters the configuration state.

Open Door Alarm and Trouble Tips

Refrigerator door open up to 3 minutes not closed, the refrigerator issued a beep-beep-beep beep, at the same time the door indicator light flashes; if the door open time reaches 13 minutes refrigerator door still not closed, the refrigerator no longer issued a beep sound, the door indicator light stays flashing.

If the refrigerator freezer door is closed, the refrigerator still sends out a beepbeep-beep or the door indicator light continues to flash, then the refrigerator parts may have failed, please contact the after-sales personnel as soon as possible
Power Failure Memory

When the refrigerator is powered off, the instantaneous working status of power failure is memorized, and when the power is turned on again, the refrigerator still continues to work according to the set gear and function status before power failure.



Tips on storing fresh food

Storing into the refrigerator compartment

Keep your fridge temperature below 5°C.

Hot food must be cooled to room temperature before storing in the appliance.

Foods stored in the refrigerator should be washed and dried before storing.

Food to be stored should be properly sealed to avoid odor or taste alterations.

Do not store excessive quantities of food. Leave spaces between foods to allow cold air flowing around them, for a better and more homogeneous cooling.

Foods eaten daily should be stored at the front of the shelf.

Leave a gap between foods and the inner walls, allowing air flowing. In any way, don't store foods against the rear wall: foods could freeze against the rear wall. Avoid direct contact of food (especially oily or acidic food) with the inner liner, as oil/acid can erode the inner liner. Clean away oily/acid dirt whenever it is found.

Frozen food can be gently defrizzed in the refrigerator compartment. This saves energy.

The ageing process of fruit and vegetables such as courgettes, melons, papaya, bananas, pineapples, etc. can be accelerated in the refrigerator. Therefore, it is not recommended to store them in the refrigerator. However, the ripening of strongly green fruits can be promoted for a certain period. Onions, garlic, ginger and other root vegetables should also be stored at room temperature.

Unpleasant odours inside the fridge are a sign that something has spilled and cleaning is required. See Care And Cleaning.

Different foods should be placed in different areas according to their properties.

Storage into the freezer compartment

- Keep the freezer temperature at -18°C.
- Hot food must be cooled to room temperature before storing in the freezer compartment.
- Food cut into small portions will freeze faster and be easier to defrost and cook. The recommended weight for each portion is less than 2.5 kg
- It is better to pack food before putting it into the freezer. The outside of the packaging must be dry to avoid bags sticking together. Packaging materials should be odour-free, airtight, non-poisonous and nontoxic.
- In order to avoid expiration of storage periods, please note the freezing date, time limit and name of the food on the packaging according to the storage periods of different foods.



WARNING!

Acid, alkali and salt etc. could erode the internal surface of the freezer.

- Do not place the food with these substances (e.g. sea fish) directly on the internal surface. Salt water in the freezer should be cleaned up immediately.
- Do not exceed the food storage time recommended by the manufacturers. Only take the required amount of food out of the freezer.
- Consume defrosted food quickly. Defrosted food cannot be re-frozen unless it is first cooked, otherwise it may be less edible.
- Do not load excessive quantities of fresh food in the freezer compartment. Refer to the freezing capacity of the freezer - See TECHNICAL DATA or data at the type plate.
- Food can be stored in the freezer at a temperature of at least -18°C for 2 to 12 months, depending on its properties (e.g. meat: 3-12 months, vegetables: 6-12 months).
- While freezing fresh food, avoid bringing them in contact with already frozen food. Risk of thawing!

When storing commercially frozen foods, please follow these guidelines:

- Always follow manufacturers' guidelines for the length of time you should store food for. Do not exceed these guidelines!
- Try to keep the length of time between purchase and storage as short as possible to preserve food quality.
- Buy frozen food, which have been stored at a temperature of -18°C or below.
- Avoid buying food which has ice or frost on the packaging - This indicates that the products might have been partially defrosted and refrozen at some point-temperature rising affects the quality of food.

Wi-Fi mode setting

IN APP PAIRING PROCEDURE

Step 1

- Download the hOn app on the stores



Step 2

- Create your account on the hOn App or log in if you already have an account



Step 3

- Follow pairing instructions in the hOn App



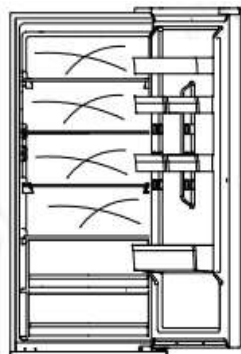
Radio-module - Technical data

Frequency rate (OFR)	2400 MHz-2843.5 MHz
Channel frequencies	2412...2472 MHz(step size 5 MHz)
Maximum power(EIRP)	100 mW



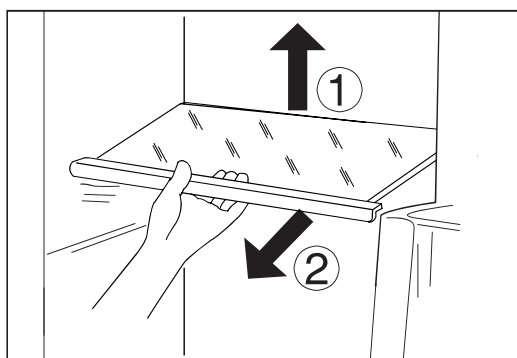
NOTICE

Due to different models, your product may not have all of the following features. Please refer to chapter Product Description.



Multi-air-flow

The refrigerator is equipped with a multi-air-flow system, with which cool air flows are located on every shelf level. This helps to maintain a uniform temperature to ensure that your food is kept fresher for longer.

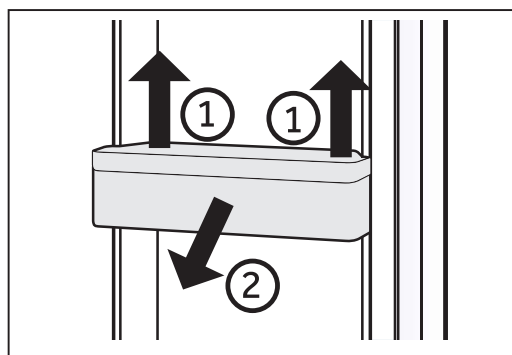


Adjustable shelves

1. The height of the shelves can be adjusted to fit your storage needs.
2. To relocate a shelf, remove it first by uplifting its hind edge ① and pulling it out ②.
3. To reinstall it, put it on the lugs on both sides and push it to the most rearward position until the rear of the shelf is fixed inside the slots in the sides

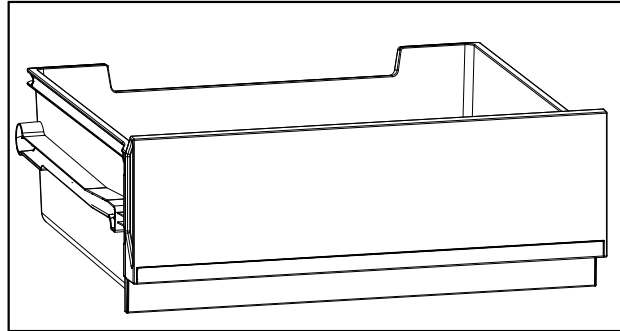
Removable door racks/bottle holder

1. The door racks can be removed for cleaning:
2. Place hands on each side of the rack, lift it upwards ① and pull it out ②.
3. In order to insert the door rack, the above steps are carried out in reverse order.



Fridge storage drawer

For using and setting the Fridge storage compartment, please check section USE .



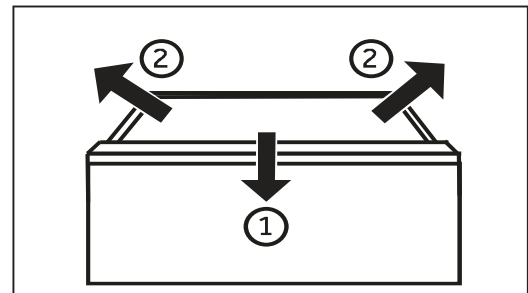
Freezer drawer

The freezer drawer can be extended straightly and completely. They are mounted on easy roll telescopic rail. So that you can store and remove the freezing good comfortably. Because of the automatic door closing mechanism, the handing is easy and you can save energy.

Removable drawer

To remove the drawer out, pull out to the maximum extent ①, lift and remove ②.

In order to insert the drawer, the above steps are carried out in reverse order.



WARNING!

Do not overload the drawers: Maximum load of each drawer: 35kg!

The Light

The LED interior light comes on when the door is opened. The performance of the lights is not affected by any of the appliances other settings.



Energy saving tips

- ▶ Make sure the appliance is properly ventilated (see INSTALLATION).
- ▶ Do not install the appliance in direct sunlight or in the near of heat sources (e.g. stoves, heaters).
- ▶ Avoid unnecessarily low temperature in the appliance. The energy consumption increases the lower the temperature in the appliance is set.
- ▶ Allow warm food to cool down before placing it in the appliance.
- ▶ Open the appliance door as little and briefly as possible.
- ▶ Do not overfill the appliance to avoid obstructing the air flow.
- ▶ Avoid air within the food packaging.
- ▶ Keep door seals clean so that the door always closes correctly.
- ▶ The most energy-saving configuration requires drawer, food box and shelves to be positioned in the appliance in a factory-fresh condition, and food to be placed without blocking the air outlet of the duct.



WARNING!

Disconnect the appliance from the power supply before cleaning.

Cleaning

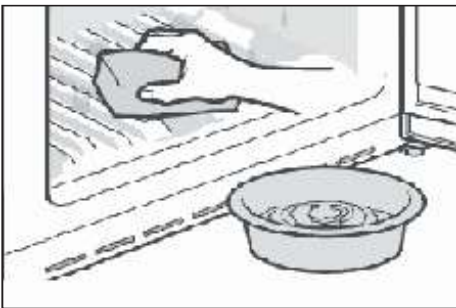
Clean the appliance when only little or no food is stored.

The appliance should be cleaned every four weeks for good maintenance and to prevent bad stored food odors.



WARNING!

- ▶ Do not clean the appliance with hard brushes, wire brushes, detergent powder, petrol, amyl acetate, acetone and similar organic solutions, acid or alkaline solutions. Please clean with special refrigerator detergent to avoid damage.
- ▶ Do not spray or flush the appliance during cleaning.
- ▶ Do not use water spray or steam to clean the appliance.
- ▶ Do not clean the cold glass shelves with hot water. Sudden temperature change may cause the glass to break.
- ▶ Do not touch the inside surface of the freezer storage compartment, especially with wet hands, as your hands may freeze onto the surface.



- ▶ Always keep the door gasket clean.
- ▶ Clean the inside and housing of the appliance with a sponge dampened in warm water and neutral detergent.
- ▶ Please scrub the interior and exterior of the refrigerator, including door sealing, door rack, glass shelves, boxes and so on, with a soft towel or sponge dipped in warm water (you may add neutral detergent into the warm water).
- ▶ If there is liquid spilled, remove all the contaminated parts, directly rinse with the flow water, dry and place it back into the fridge.
- ▶ If there is spilled cream (such as the cream, melting ice cream), please remove all the contaminated parts, put into the warm water with about 40 °C for some time, then rinse with the flow water, dry and place it back into the fridge.
- ▶ In case some small part or component gets stuck inside of the fridge (between shelves or drawers), use small soft brush to release it. If you could not reach the part, please contact Haier service
- ▶ Rinse and dry with soft cloth.
- ▶ Do not clean any of the parts of the appliance in a dishwasher.
- ▶ Allow at least 7 minutes before restarting the appliance as frequent starting may damage the compressor.

Defrosting

The defrosting of the refrigerator and the freezer compartment are done automatically; no manual operation is needed.



Replacing the LED-lamps

WARNING!

Do not replace the LED lamp yourself, it must only be replaced by either the manufacturer or the authorised service agent.

The lamps adopts LED as its light source, featuring low energy consumption and long service life. If there is any abnormality, please contact the customer service . See CUSTOMER SERVICE.

Parameters of the lamps:

Refrigerator compartment:12 V max 1.5 W

Non-use for a longer period

If the appliance is not used for an extended period of time :

Take out the food.

Unplug the power cord.

Clean the appliance as described above.

Keep the doors open to prevent the creation of bad odours inside.

NOTICE

Turn the appliance off only if strictly necessary.

Moving the appliance

1. Remove all food and unplug the appliance.
2. Secure shelves and other moveable parts in the fridge and the freezer with adhesive tape.
3. Do not tilt the refrigerator more than 45° to avoid damaging the refrigerating system.

WARNING!

- ▶ Do not lift the appliance by its handles.
- ▶ Never place the appliance horizontally on the ground.

Many occurring problems could be solved by yourself without specific expertise. In case of a problem please check all shown possibilities and follow below instructions before you contact an after sales service. See CUSTOMER SERVICE.



WARNING!

- ▶ Before maintenance, deactivate the appliance and disconnect the mains plug from the mains socket.
- ▶ Electrical equipment should be serviced only by qualified electrical experts, because improper repairs can cause considerable consequential damages.
- ▶ A damaged supply should only be replaced by the manufacturer, its service agent or similarly qualified persons in order to avoid a hazard.

Problem	Possible Cause	Possible Solution
The compressor does not work.	<ul style="list-style-type: none"> • Mains plug is not connected in the mains socket. • The appliance is in the defrosting cycle 	<ul style="list-style-type: none"> • Connect the mains plug. • This is normal for an automatic defrosting
The appliance runs frequently or runs for a too long period of time.	<ul style="list-style-type: none"> • The indoor or outdoor temperature is too high. • The appliance has been off power for a period of time. • A door of the appliance is not tightly closed. • The door has been opened too frequently or for too long. • The temperature setting for the freezer compartment is too low. • The door gasket is dirty, worn, cracked or mismatched. • The required air circulation is not guaranteed. 	<ul style="list-style-type: none"> • In this case, it is normal for the appliance to run longer. • Normally, it takes 8 to 12 hours for the appliance to cool down completely. • Close the door/drawer and ensure the appliance is located on a level ground and there is no food or container jarring the door. • Do not open the door/drawer too frequently. • Set the temperature higher until a satisfactory refrigerator temperature is obtained. It takes 24 hours for the refrigerator temperature to become stable. • Clean the door/drawer gasket or replace them by the customer service. • Ensure adequate ventilation.
The inside of the refrigerator is dirty and/or smells.	<ul style="list-style-type: none"> • The inside of the refrigerator needs cleaning. • Food of strong odour is stored in the refrigerator. 	<ul style="list-style-type: none"> • Clean the inside of the refrigerator. • Wrap the food thoroughly..



Problem	Possible Cause	Possible Solution
It is not cold enough inside the appliance.	<ul style="list-style-type: none"> The temperature is set too high. Too warm goods has been stored. Too much food has been stored at one time. The goods are too close to each other. A door/drawer of the appliance is not tightly closed. The door/drawer has been opened too frequently or for too long. 	<ul style="list-style-type: none"> Reset the temperature. Always cool down goods before storing them. Always store small quantities of food. Leave a gap between several foods allowing air flowing. Close the door/drawer. Do not open the door/drawer too frequently.
It is too cold inside the appliance.	<ul style="list-style-type: none"> The temperature is set too low. 	<ul style="list-style-type: none"> Reset the temperature.
Moisture formation on the inside of the refrigerator compartment.	<ul style="list-style-type: none"> The climate is too warm and toodamp. A door/drawer of the appliance is not tightly closed. The door/drawer has been opened too frequently or for too long. Food containers or liquids are left open. 	<ul style="list-style-type: none"> Increase the temperature. Close the door/drawer. Do not open the door/drawer too frequently. Let hot foods cool to room temperature and cover foods and liquids.
Moisture accumulates on the refrigerators outside surface or between the doors/door and drawer.	<ul style="list-style-type: none"> The climate is too warm and too damp. The door is not closed tightly. The cold air in the appliance and the warm air outside it condensates. 	<ul style="list-style-type: none"> This is normal in damp climate and will change when the humidity decreases. Ensure that he door/drawer is tightly shut.



Problem	Possible Cause	Possible Solution
Strong ice and frost in the freezer compartment.	<ul style="list-style-type: none">• The goods were not adequately packaged.• A door/drawer of the appliance is not tightly closed.• The door/drawer has been opened too frequently or for too long.• The door/drawer gasket is dirty, worn, cracked or mismatched.• Something on the inside prevents the door/drawer to close properly.	<ul style="list-style-type: none">• Always pack the goods well.• Close the door/drawer.• Do not open the door/drawer too frequently.• Clean the door/drawer gasket or replace them by new ones.• Reposition the shelves, door racks, or internal containers to allow the door/drawer to close.
The sides of the cabinet and door strip get warm.	<ul style="list-style-type: none">• -	<ul style="list-style-type: none">• This is normal.
The appliance makes abnormal sounds.	<ul style="list-style-type: none">• The appliance is not located on level ground.• The appliance touches some object around it.	<ul style="list-style-type: none">• Adjust the feet to level the appliance.• Remove objects around the appliance.
A slight sound is to be heard similar to that of flowing water.	<ul style="list-style-type: none">• -	<ul style="list-style-type: none">• This is normal.
You will hear an alarm beep.	<ul style="list-style-type: none">• The fridge storage compartment door is open.	<ul style="list-style-type: none">• Close the door.
You will hear a faint hum.	<ul style="list-style-type: none">• The anti-condensation system is working	<ul style="list-style-type: none">• This prevents condensation and is normal
The interior lighting or cooling system does not work.	<ul style="list-style-type: none">• It is in demo mode	<ul style="list-style-type: none">• Refrigerator is plug in power and refrigerator door is open.• Press and hold the K1 button, and click the K2 button five times, then the icon will stop lighting circularly.



Problem	Possible Cause	Possible Solution
The interior lighting or cooling system does not work.	<ul style="list-style-type: none"> • Mains plug is not connected in the mains socket. • The power supply is not intact. • The LED-lamp is out of order. 	<ul style="list-style-type: none"> • Connect the mains plug. • Check the electrical supply to the room. Call the local electricity company! • Please call the service for changing the lamp.

To contact the technical assistance, visit our website: <https://corporate.haier-europe.com/en/>

Under the section "website", choose the brand of your product and your country. You will be redirected to the specific website where you can find the telephone number and form to contact the technical assistance.

Power interruption

In the event of a power cut, food should remain safely cold for about 5 hours. Follow these tips during a prolonged power interruption, especially in summer:

- ▶ Open the door/drawer as few times as possible.
- ▶ Do not put additional food into the appliance during a power interruption.
- ▶ If prior notice of a power interruption is given and the interruption duration is longer than 5 hours, make some ice and put it in a container in the top of the refrigerator compartment.
- ▶ An inspection of the goods is required immediately after the interruption.
- ▶ As temperature in the refrigerator will rise during a power interruption or other failure, the storage period and edible quality of food will be reduced. Any food that defrosts should be either consumed, or cooked and refrozen (where suitable) soon afterwards in order to prevent health risks.

Memory function during power interruption

After restoration of power the appliance continues with the settings that were set before the power failure.

Unpacking



WARNING!

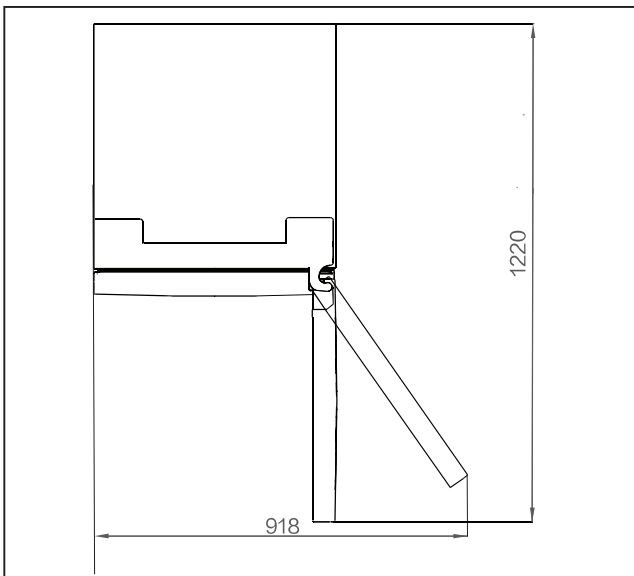
- ▶ The appliance is heavy. Always handle with at least two persons.
- ▶ Keep all packaging materials out of children's reach and dispose them in an environmentally friendly manner.
- ▶ Take the appliance out of the packaging.
- ▶ Remove all packaging materials.

Environmental conditions

The room temperature should always be between 10° C and 43° C ,for this refrigerator,such as, CNCQ2T620EX、 CNCQ2T620EW、 CNCQ2T618EX、 CNCQ4T618EW 、 CNCQ4T618EB; either or the room temperature should always be between 10° C and 38° C ,for this refrigerator, for example, CNCQ4T620DX、 CNCQ4T620DW, since it can influence the temperature inside the appliance and its energy consumption. Do not install the appliance near other heat-emitting appliances (ovens, refrigerators) without isolation.

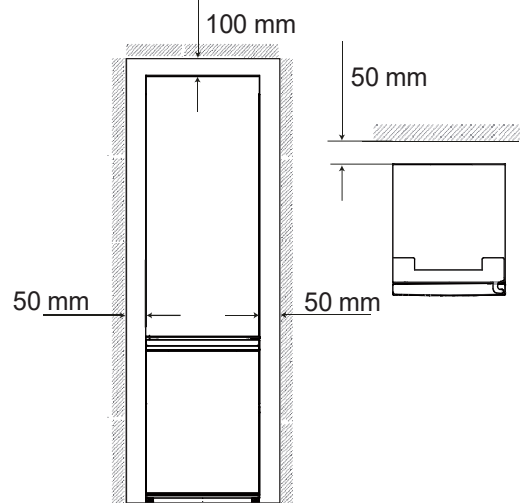
Space requirement

Recommended space when door is



Ventilation cross-section

To achieve sufficient ventilation of the appliance for safety reasons, it's recommended to observe the information of the ventilation cross sections

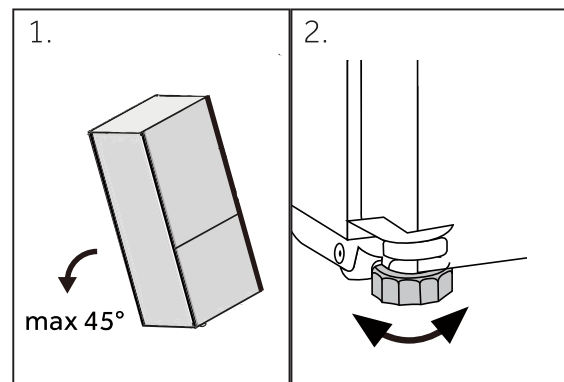


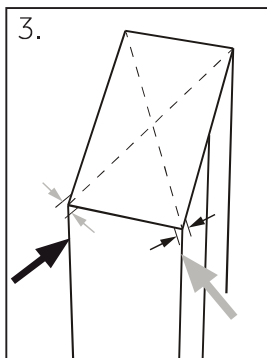
Aigning the appliance

The appliance should be placed on a flat and solid surface.

1. Tilt the refrigerator slightly backwards.
2. Set the feet to the desired level.

Make sure the distance to the wall on the hinge side is at least 100 mm for the door to open properly.

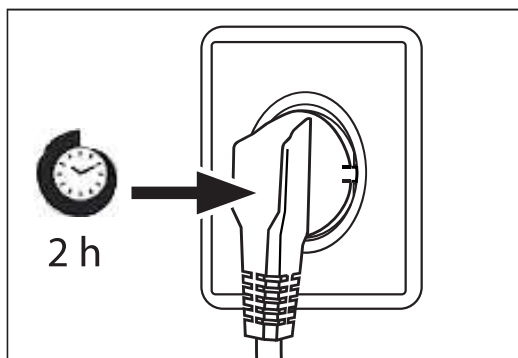




1. The stability can be checked by alternately bumping on the diagonals. The slightly swaying should be the same in both directions. Otherwise the frame can warp; possible leaking door seals are the result. A low tendency to the rear facilitates the closing of the doors.

NOTICE

For a free standing appliance: this refrigerating appliance is not intended to be used as a built-in appliance



Waiting time

To the maintenance-free lubrication oil is located in the capsule of the compressor. This oil can get through the closed pipe system during slanting transport. Before connecting the appliance to the power supply you have to wait at least 2 hours so that the oil runs back into the capsule.

Electrical connection

Before each connection check if:

- ▶ power supply, socket and fusing are appropriate to the rating plate.
- ▶ the power socket is earthed and no multi-plug or extension.
- ▶ the power plug and socket are strictly according.

Connect the plug to a properly installed household socket.

WARNING!

To avoid risks a damaged power cord must be replaced by the customer service (see warranty card).

Door Reversibility

Before connecting the appliance to the power supply, you should check whether the door swing must be changed from right (as delivered) to left, if this is required by the installation location and the usability.



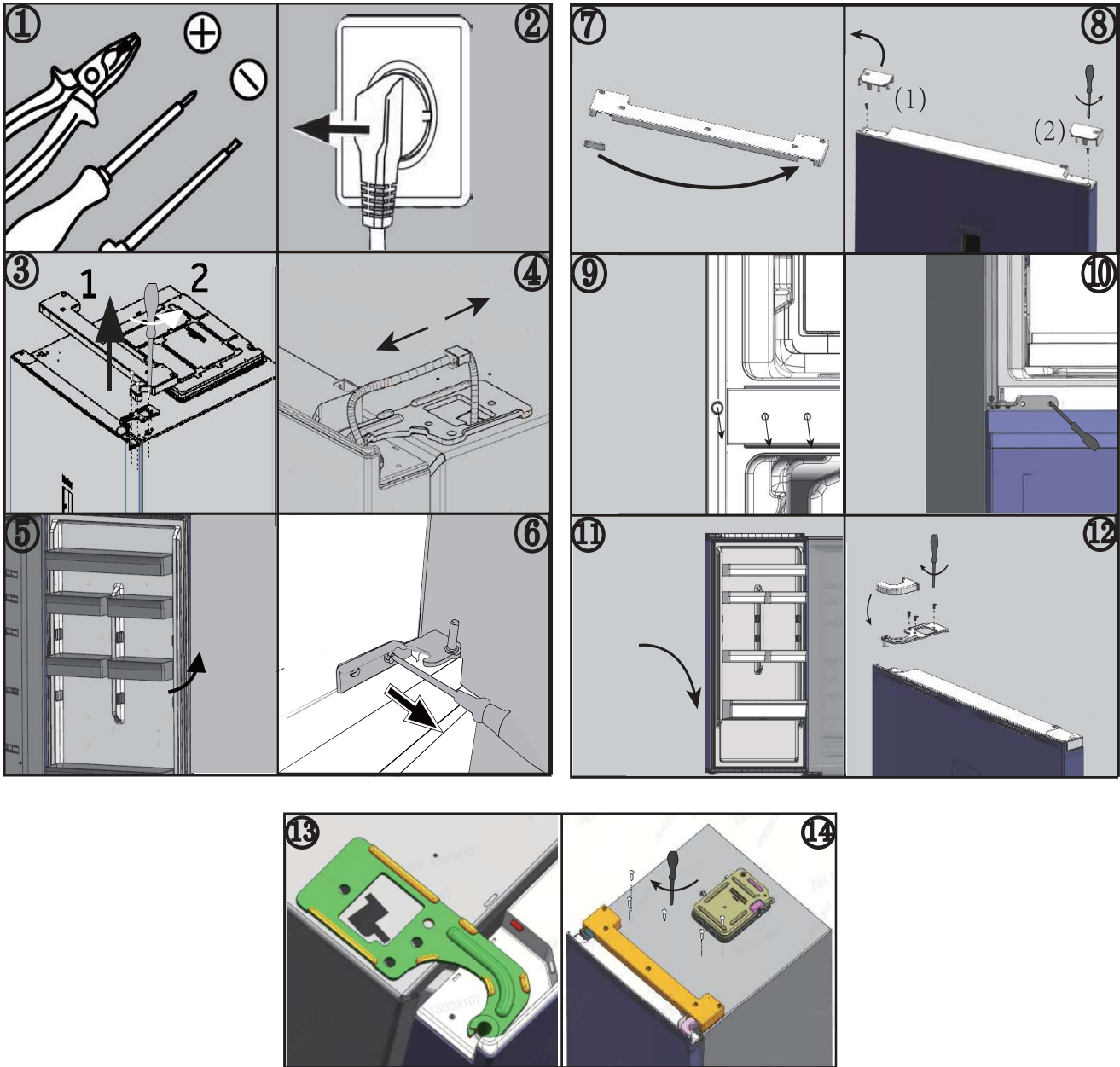
WARNING!

- ▶ The appliance is heavy. You need two persons to carry out the door reversibility.
- ▶ Before any operation, first unplug the appliance from the mains
- ▶ Do not tilt the appliance more than 45°C to prevent damage of the refrigeration system.

Assembly steps

1. Provide necessary tool.
2. Unplug the appliance.
3. Remove the upper hinge cover 1 and unscrew the upper hinge (three screws) on right side 2.
4. Lift the loose refrigerator door carefully off the middle hinge.
5. Remove the middle hinge.
6. Remove the small cover of the front panel from left to right side.
7. Turn the door upside down and unscrew the cover (1). Take out the new cover (2) from the necessary bag and screw them to opposite side.
8. Change the positions of the blanking plugs and the screw on the side.
9. Screw the middle hinge to the left side of the appliance. Pay attention to inverting the pivot of the middle hinge, ensuring that the side with the gasket is facing upwards
10. Lift the upper door carefully on the middle hinge. And be sure the pivot fits into the hinge barrel of the lower door.
11. Take out the new upper hinge and hinge cover from the accessory bag. Fix the upper hinge with three screws on left side of appliance. And the put the hinge cover over the hinge.
12. Replace front panel and fix it with five screws.

After the change of the door, check if the door seals are located properly on the housing and all screws are tightened well.



Ambient temperatures

Extended temperate: this refrigerating appliance is intended to be used at ambient temperatures ranging from 10°C to 32°C

Temperate: this refrigerating appliance is intended to be used at ambient temperatures ranging from 16°C to 32°C;

Subtropical: this refrigerating appliance is intended to be used at ambient temperatures ranging from 16°C to 38°C;

Tropical: "this refrigerating appliance is intended to be used at ambient temperatures ranging from 16°C to 43°C.

**Product parameters according to regulation (EU)2019/2016**

Based on standard test results for 24 hours. Actual energy consumption will depend on how the appliance is used and where it is located

Model	CNCQ4T620EW CNCQ4T620EX CNCQ4T620EB	CNCQ4T620DX CNCQ4T620DW	CNCQ4T620CX
Type of refrigerating appliance	Refrigerator-freezer	Refrigerator-freezer	Refrigerator-freezer
Energy efficiency class	E	D	C
Annual energy consumption (kWh/annum)	279	223	178
Volume Refrigerator compartment(L)	289	289	289
Volume Freezer compartment(L)	120	120	120
Freezing Class	4-star	4-star	4-star
Defrosting type	Auto-defrost	Auto-defrost	Auto-defrost
Temperature rise time(h)	11	11	13
Freezing capacity(kg/24h)	10	10	10
Climate class	SN.N.ST	SN.N.ST.T	SN.N.ST.T



Model	CNCQ4T618DX	CNCQ4T618EW CNCQ4T618EX CNCQ4T618EB
Type of refrigerating appliance	Refrigerator-freezer	Refrigerator-freezer
Energy efficiency class	D	E
Annual energy consumption (kWh/annum)	216	270
Volume Refrigerator compartment(L)	235	235
Volume Freezer compartment(L)	120	120
Freezing Class	4-star	4-star
Defrosting type	Auto-defrost	Auto-defrost
Temperature rise time(h)	11	11
Freezing capacity(kg/24h)	10	10
Climate class	SN.N.ST.T	SN.N.ST

Explanations:

• Yes, featured

- (1) Based on the results of the standards conformance test over 24 hours. The actual consumption depends on the use and the location of the appliance.
- (2) Climate rating SN: This appliance is intended for use in an ambient temperature of between + 10°C and +32°C

Climate rating N: This appliance is intended for use in an ambient temperature of between + 16°C and +32°C

Climate rating ST: This appliance is intended for use in an ambient temperature of between + 16°C and +38°C

Climate rating T: This appliance is intended for use in an ambient temperature of between + 16°C and +43°C

Additional technical data

Model	CNCQ4T620EW CNCQ4T620EX CNCQ4T620EB	CNCQ4T620DX CNCQ4T620DW	CNCQ4T618EW CNCQ4T618EX CNCQ4T618EB
Total volume(L)	409	409	355
Voltage/Frequency	220~240V/50Hz	220~240V/50Hz	220~240V/50Hz
Rated current(A)	0.9	1.4	0.9
Main fuse(A)	15	15	15
Refrigerant	R600a(53g)	R600a(53g)	R600a(53g)
Dimensions (W/D/H in mm)	595*667*2050	595*667*2050	595*667*1850

Model	CNCQ4T620CX	CNCQ4T618DX
Total volume(L)	409	355
Voltage/Frequency	220~240V/50Hz	220~240V/50Hz
Rated current(A)	1.4	1.4
Main fuse(A)	15	15
Refrigerant	R600a(50g)	R600a(53g)
Dimensions (W/D/H in mm)	595*667*2050	595*667*1850



We recommend our Haier Customer Service and the use of original spare parts. If you have a problem with your appliance, please first check section TROUBLE-SHOOTING.

If you cannot find a solution there, please contact

- ▶ your local dealer or
- ▶ our European Call Service-Center (see listed phone numbers below) or
- ▶ the Service & Support area at www.haier.com where you can activate the service claim and also find FAQs.

To contact our Service, ensure that you have the following data available. The information can be found on the rating plate.

Model _____

Serial No. _____

Also check the Warranty Card supplied with the product in case of warranty.

European Call Service-Center		
Country*	Phone number	Costs
Haier Italy (IT)	199 100 912	
Haier Spain (ES)	902 509 123	
Haier Germany (DE)	0180 5 39 39 99	<ul style="list-style-type: none"> • 14 Ct/Min Landline • max 42 Ct/Min Mobile
Haier Austria (AT)	0820 001 205	<ul style="list-style-type: none"> • 14,53 Ct/Min Landline • max 20 Ct/Min all others
Haier United Kingdom (UK)	0333 003 8122	
Haier France (FR)	0980 406 409	



* For other countries please refer to www.haier.com

Haier Europe Trading S.r.l

Branch UK

Westgate House, Westgate, Ealing

London, W5 1YY

*Duration of the guarantee of the refrigerating appliance:

Minimum guarantee is: 2 years for EU Countries, 3 years for Turkey, 1 year for UK, 1 year for Russia, 3 years for Sweden, 2 years for Serbia, 5 years for Norway, 1 year for Morocco, 6 months for Algeria, Tunisia no legal warranty required.

*The period of spare parts for the repair of the appliance:

Thermostats, temperature sensors, printed circuit boards and light sources are available for a minimum period of seven years after placing the last unit of the model on the market.

Door handles, door hinges, trays and baskets for a minimum period of seven years and door gaskets for a minimum period of 10 year, after placing the last unit of the model on the market.

*For further information about the product, please consult <https://eprel.ec.europa.eu/> or scan the QR on the energy label supplied with the appliance.

<u>5 Sicherheitsinformationen</u>	<u>Vor der ersten Inbetriebnahme</u>	6
	<u>Installation</u>	6
	<u>Täglicher Gebrauch</u>	7
<u>10 Bestimmungsgemäße Verwendung</u>		
<u>11 Produktbeschreibung</u>		
<u>13 Bedienfeld</u>		
<u>14 Verwendung</u>	<u>Temperatur für Kühlschrank einstellen</u>	15
	<u>Einstellen der Temperatur für den Gefrierschrank</u>	15
	<u>Super Freeze-Funktion</u>	15
	<u>Super Cool-Funktion</u>	16
	<u>Funktion Fresh 0°C</u>	15
<u>20 Ausrüstung</u>		
<u>22 Energiespartipps</u>		
<u>23 Pflege und Reinigung</u>		
<u>25 Fehlerbehebung</u>		
<u>29 Installation</u>		
<u>33 Technische Daten</u>		
<u>36 Kundendienst</u>		



**Bitte klicken Sie auf den Inhalt,
um die Detailinformationen zu sehen.**

Vielen Dank, dass Sie sich für den Kauf eines Candy-Produktes entschieden haben.

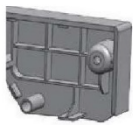
Bitte lesen Sie diese Anleitung sorgfältig durch, bevor Sie dieses Gerät benutzen. Die Anleitung enthält wichtige Informationen, die Ihnen dabei helfen, das Gerät optimal zu nutzen und eine sichere und ordnungsgemäße Installation, Verwendung und Wartung zu gewährleisten.

Bewahren Sie diese Anleitung an einem geeigneten Ort auf, damit Sie jederzeit für die sichere und ordnungsgemäße Verwendung des Geräts darauf zurückgreifen können.

Wenn Sie das Gerät verkaufen, weggeben oder bei einem Umzug zurücklassen, vergewissern Sie sich, dass diese Anleitung auch beigelegt wird, damit sich der neue Besitzer mit dem Gerät und den Sicherheitshinweisen vertraut machen kann.

Zubehör

Überprüfen Sie das Zubehör und die Dokumentation gemäß dieser Liste:



Kappeneinsatz



Energie-
Kennzeichnung



Garantiekarte



Kurzanleitung



Türscharniere



Scharnierab-
deckung

**WARNUNG - Wichtige Sicherheitsinformationen****HINWEIS - Allgemeine Informationen und Tipps****Umweltinformationen****Entsorgung**

Tragen Sie zum Schutz der Umwelt und der menschlichen Gesundheit bei. Entsorgen Sie die Verpackung zum Recyceln in die entsprechenden Behälter. Unterstützen Sie das Recycling von Elektro- und Elektronik-Altgeräten. Entsorgen Sie Geräte, die mit diesem Symbol gekennzeichnet sind, nicht mit dem Hausmüll. Geben Sie das Produkt an Ihre lokale Recyclinganlage zurück oder wenden Sie sich an Ihre Stadtverwaltung.

**WARNUNG!**

Verletzungs- oder Erstickungsgefahr!

Kältemittel und Gase müssen fachgerecht entsorgt werden. Überprüfen Sie, dass der Schlauch des Kühlkreislaufs nicht beschädigt ist, bevor er ordnungsgemäß entsorgt wird. Trennen Sie das Gerät von der Stromversorgung. Trennen Sie das Netzkabel und entsorgen Sie es. Entfernen Sie die Fächer und Schubladen sowie die Türöffnung und die Dichtungen, um zu verhindern, dass Kinder und Haustiere im Gerät eingeschlossen werden.



Lesen Sie vor dem ersten Einschalten des Geräts folgende Sicherheitshinweise:



WARNUNG!

Vor der ersten Inbetriebnahme

- ▶ Vergewissern Sie sich, dass keine Transportschäden vorliegen.
- ▶ Entfernen Sie alle Verpackungsteile und bewahren Sie sie außerhalb der Reichweite von Kindern auf.
- ▶ Warten Sie vor dem Einschalten des Geräts mindestens zwei Stunden, damit der Kühlkreislauf auch sicher und effektiv arbeitet.
- ▶ Das Gerät immer mit mindestens zwei Personen transportieren, da es schwer ist.

Installation

- ▶ Das Gerät sollte an einem gut belüfteten Ort aufgestellt werden. Idealerweise müssen mindestens 10 cm rund um das Gerät frei bleiben.
- ▶ Stellen Sie das Gerät niemals in einem feuchten Bereich oder an einem Ort auf, wo es mit Wasser nassgespritzt werden könnte. Reinigen Sie Wasserspritzer und Flecken mit einem weichen, sauberen Tuch.
- ▶ Stellen Sie das Gerät nicht in direktem Sonnenlicht oder in der Nähe von Hitzequellen (z. B. Herden, Heizungen) auf.
- ▶ Installieren und richten Sie das Gerät in einem Bereich ein, der für seine Größe und Verwendung geeignet ist.
- ▶ Halten Sie die Lüftungsschlitze am Gerät oder in der Einbaustruktur frei.
- ▶ Stellen Sie sicher, dass die elektrischen Informationen auf dem Typenschild der Stromversorgung entsprechen. Ist dies nicht der Fall, wenden Sie sich an einen Elektriker.
- ▶ Das Gerät wird über eine 220-240 V Wechselspannung/50 Hz betrieben. Abnormale Spannungsschwankungen könnten dazu führen, dass das Gerät nicht angeht, der Temperaturregler oder Kompressor beschädigt wird, oder dass während des Betriebs ein abnormales Geräusch auftritt. In einem solchen Fall ist ein automatischer Regler anzubringen.
- ▶ Verwenden Sie keine Mehrfachsteckadapter und Verlängerungskabel.
- ▶ Positionieren Sie keine Mehrfachsteckdosen oder Verlängerungen hinter dem Gerät.
- ▶ Stellen Sie sicher, dass das Netzkabel nicht durch den Kühlschrank eingeklemmt wird. Treten Sie nicht auf das Netzkabel.



WARNUNG!

- ▶ Verwenden Sie eine separate, geerdete Steckdose für eine leicht zugängliche Stromversorgung. Das Gerät muss geerdet werden.
Nur für Großbritannien: Das Gerätenetzkabel ist mit einem 3-adrigen Stecker (Erdungsstecker) ausgestattet, der in eine 3-adrige Norm-Buchse (geerdet) passt. Den dritten Stift (Erdung) auf keinen Fall kappen oder entfernen. Das Gerät muss so installiert werden, dass der Stecker erreichbar ist.
- ▶ Den Kühlkreislauf nicht beschädigen.

Täglicher Gebrauch

- ▶ Dieses Gerät kann von Kindern ab 8 Jahren und Personen mit eingeschränkten körperlichen, sensorischen oder geistigen Fähigkeiten oder mangelnder Erfahrung und mangelndem Wissen benutzt werden, wenn diese in die sichere Bedienung des Geräts eingewiesen wurden oder beaufsichtigt werden und die damit verbundenen Gefahren verstanden haben.
- ▶ Kinder im Alter von 3 bis 8 Jahren dürfen Kühlschränke be- und entladen, aber nicht reinigen und installieren.
- ▶ Kinder unter 3 Jahren vom Gerät fernhalten, es sei denn, sie werden ständig beaufsichtigt.
- ▶ Kinder dürfen nicht mit dem Gerät spielen.
- ▶ Wenn Kühlgas oder ein anderes brennbares Gas in der Nähe des Geräts austritt, drehen Sie das Ventil des austretenden Gases ab. Öffnen Sie die Türen und Fenster, und ziehen Sie nicht den Netzstecker des Kühlschranks oder eines anderen Haushaltsgeräts.
- ▶ Beachten Sie, dass das Gerät, z. B. CNCQ4T620EX, CNCQ4T620EW, CNCQ4T618EX, CNCQ4T618EW, CNCQ4T618EB, für den Betrieb im Umgebungstemperaturbereich zwischen 10 °C und 38 °C ausgelegt ist. Das Gerät funktioniert möglicherweise nicht ordnungsgemäß, wenn es über einen längeren Zeitraum bei einer Temperatur oberhalb oder unterhalb des angegebenen Bereichs betrieben wird.
- ▶ Beachten Sie, dass das Gerät, z.B. CNCQ4T620DX, CNCQ4T620DW, CNCQ4T620CX, für den Betrieb im Umgebungstemperaturbereich zwischen 10°C und 43°C ausgelegt ist. Das Gerät funktioniert möglicherweise nicht ordnungsgemäß, wenn es über einen längeren Zeitraum bei einer Temperatur oberhalb oder unterhalb des angegebenen Bereichs betrieben wird.
- ▶ Stellen Sie keine instabilen Gegenstände (schwere Gegenstände, mit Wasser gefüllte Behälter) auf den Kühlschrank, um Verletzungen durch Herunterfallen oder elektrische Schläge durch Kontakt mit Wasser zu vermeiden.
- ▶ Ziehen Sie nicht an den Türfächern. Die Tür kann schief verzogen werden, das Flaschenregal kann herausgezogen werden, oder das Gerät kann umkippen.

**WARNUNG!**

- ▶ Verwenden Sie keine brennbaren, explosionsfähigen oder korrosiven Substanzen im Gerät oder in der Nähe.
- ▶ Lagern Sie keine Arzneimittel, Bakterien oder Chemikalien im Gerät. Dieses Gerät ist ein Haushaltsgerät. Es wird davon abgeraten, Materialien zu lagern, die extreme Temperaturen erfordern.
- ▶ Lagern Sie niemals Flüssigkeiten in Flaschen oder Dosen (außer hochprozentige Spirituosen), insbesondere kohlenensäurehaltige Getränke, im Gefrierschrank, da diese beim Einfrieren platzen können.
- ▶ Überprüfen Sie den Zustand der Lebensmittel, wenn die Temperatur im Gefrierschrank angestiegen ist.
- ▶ Stellen Sie keine unnötig niedrigen Temperaturen im Kühlschrank ein. Bei hohen Einstellungen kann es zu Minustemperaturen kommen. Achtung: Flaschen können platzen.
- ▶ Berühren Sie Gefriergut nicht mit nassen Händen (Handschuhe tragen). Verzehren Sie insbesondere Eis am Stiel nicht sofort nach der Entnahme aus dem Gefrierfach. Es besteht die Gefahr des Erfrierens oder der Bildung von Frostblasen an Mund und Zunge. ERSTE HILFE: Sofort unter fließend kaltes Wasser halten. Nicht mit Gewalt abziehen!
- ▶ Berühren Sie nicht die Innenfläche des Gefrierfachs, insbesondere nicht mit nassen Händen, da Ihre Hände an der Oberfläche festfrieren könnten.
- ▶ Ziehen Sie den Gerätestecker aus der Steckdose, falls die Stromversorgung unterbrochen wird oder bevor Sie das Gerät reinigen. Warten Sie vor dem Neustart mindestens 7 Minuten, da durch häufiges Einschalten der Kompressor beschädigt werden kann.
- ▶ Im Inneren des Haushaltsgeräts keine elektrischen Geräte benutzen, es sei denn, sie werden vom Hersteller empfohlen.
Wartung / Reinigung
- ▶ Kinder müssen beaufsichtigt werden, wenn sie das Gerät reinigen und warten.
- ▶ Trennen Sie das Gerät von der Stromversorgung, bevor Sie eine routinemäßige Wartung durchführen. Warten Sie vor dem Neustart mindestens 5 Minuten, da durch häufiges Einschalten der Kompressor beschädigt werden kann.
- ▶ Beim Aufstellen des Geräts darauf achten, dass das Stromkabel nicht eingeklemmt oder beschädigt wird.
- ▶ Positionieren Sie keine Mehrfachsteckdosen oder Verlängerungen hinter dem Gerät.
- ▶ Im Inneren des Haushaltsgeräts keine elektrischen Geräte benutzen, es sei denn, sie sind vom Hersteller empfohlen.
- ▶ Keine explosiven Substanzen mit entzündlichen Treibgasen, wie Sprühdosen, in diesem Gerät lagern.



WARNUNG!

- ▶ Fassen Sie beim Herausziehen des Gerätesteckers aus der Steckdose den Stecker und nicht das Kabel an.
- ▶ Reinigen Sie das Gerät nicht mit harten Bürsten, Drahtbürsten, Reinigungspulver, Benzin, Amylacetat, Aceton und ähnlichen organischen Lösungen, Säure oder Alkalilösungen. Reinigen Sie das Gerät mit einem speziellen Reinigungsmittel für Kühlgeräte, um Beschädigungen zu vermeiden.
- ▶ Kratzen Sie Frost und Eis nicht mit scharfkantigen Gegenständen ab. Verwenden Sie keine Sprays, elektrischen Heizgeräte, Haartrockner zum Abtauen oder Dampfreiniger im Gerät, um Beschädigungen der Kunststoffteile zu vermeiden.
- ▶ Verwenden Sie keine mechanischen oder sonstigen Hilfsmittel, um den Abtauvorgang zu beschleunigen, es sei denn, dies wird vom Hersteller so empfohlen.
- ▶ Wenn das Stromkabel beschädigt ist, muss es vom Hersteller, von seinem Service-Mitarbeiter oder einer gleichwertig qualifizierten Person ausgetauscht werden, um jegliches Risiko zu vermeiden.
- ▶ Versuchen Sie nicht, das Gerät selbst zu reparieren, zu zerlegen oder zu verändern. Bei Reparaturen wenden Sie sich bitte an unseren Kundenservice.
- ▶ Entfernen Sie den Staub auf der Geräterückseite mindestens einmal im Jahr, um Brandgefahr und einen erhöhten Energieverbrauch zu vermeiden.
- ▶ Das Gerät darf während der Reinigung nicht besprüht oder mit Wasser beschüttet werden.
- ▶ Das Gerät nicht mit Wasser besprühen oder mit Dampf reinigen.
- ▶ Reinigen Sie die kalten Einlegeböden aus Glas nicht mit heißem Wasser. Plötzliche Temperaturschwankungen können dazu führen, dass das Glas zerspringt.

Informationen zum Kältemittelgas



WARNUNG!

Das Gerät enthält das entzündliche Kältemittel ISOBUTAN (R600a). Stellen Sie sicher, dass der Kühlkreislauf während des Transports oder der Installation nicht beschädigt wird. Auslaufendes Kältemittel kann Augenverletzungen verursachen oder sich entzünden. Falls Schäden aufgetreten sind, halten Sie sich von offenen Brandquellen fern, lüften Sie den Raum gründlich, stecken Sie die Netzkabel des Geräts oder eines anderen Geräts nicht ein oder aus. Informieren Sie den Kundendienst.

Falls die Augen mit dem Kältemittel in Kontakt kommen, spülen Sie sofort unter fließendem Wasser aus und verständigen Sie den Augenarzt.

Dieses Gerät ist zum Kühlen und Gefrieren von Lebensmitteln bestimmt. Es ist ausschließlich für den Einsatz in Haushalten und ähnlichen Bereichen konzipiert, wie z. B. in Personalküchen in Geschäften, Büros und anderen Arbeitsumgebungen, auf Bauernhöfen und in Hotels, Motels und anderen wohnähnlichen Umgebungen sowie in Bed-and-Breakfasts und fürs Catering. Das Gerät ist nicht für die kommerzielle oder industrielle Nutzung bestimmt.

Änderungen oder Anpassungen am Gerät sind nicht erlaubt. Eine unsachgemäße Verwendung kann zu Gefahren und zum Verlust von Garantieansprüchen führen.

Normen und Richtlinien

Dieses Produkt erfüllt die Anforderungen aller geltenden EG-Richtlinien mit den entsprechenden harmonisierten Normen, die eine CE-Kennzeichnung vorsehen.

KOPPLUNGSVORGANG IN DER APP

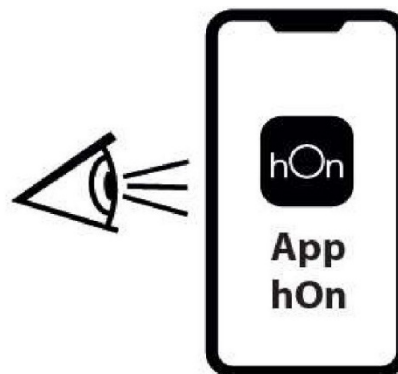
Schritt 1 • Laden Sie die hOn-App aus den Stores herunter.



Schritt 2 • Erstellen Sie Ihr Konto in der hOn-App oder melden Sie sich an, wenn Sie bereits ein Konto haben.



Schritt 3 • Folgen Sie den Kopplungsanweisungen in der hOn-App.

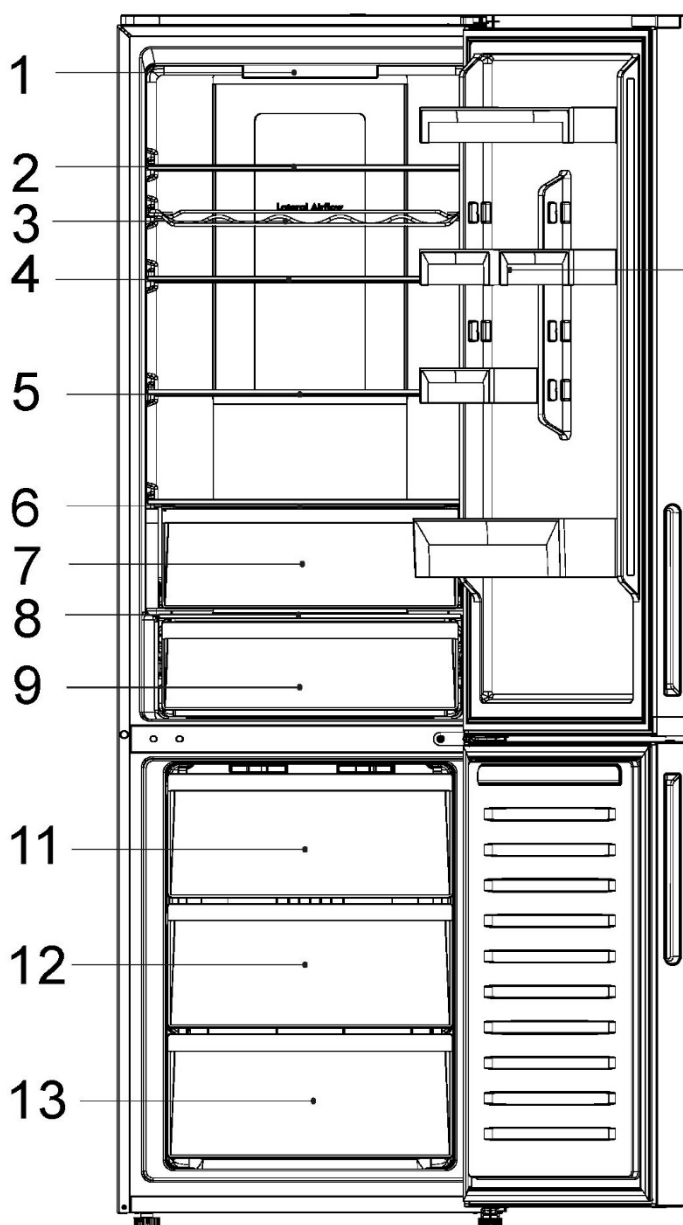


Funkmodul - Technische Daten

Frequenzrate (OFR)	2400 MHz-2843,5 MHz
Kanalfrequenzen	2412...2472 MHz (Schrittweite 5 MHz)
Maximale Leistung (EIRP)	100 mW

i HINWEIS

Aufgrund von technischen Änderungen und unterschiedlichen Modellen können einige der Abbildungen in diesem Handbuch von Ihrem Modell abweichen.



CNCQ4T620EX
 CNCQ4T620EB
 CNCQ4T620DX
 CNCQ4T620EW
 CNCQ4T620DW
 CNCQ4T620CX

A: Kühlfach des Kühlschranks

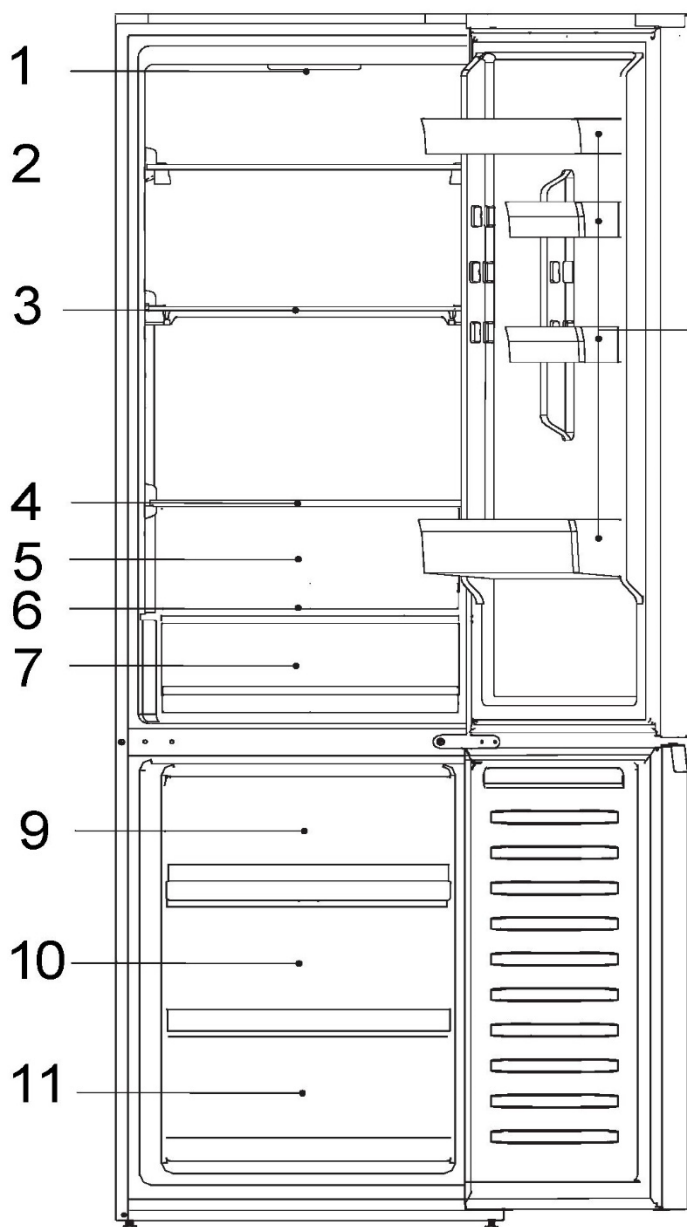
- 1- Bedienfeld
- 2- Einlegeboden aus Glas
- 3- Weinregal
- 4- Einlegeboden aus Glas
- 5- Einlegeboden aus Glas
- 6- Abdeckung der Schublade
- 7- Humidity Area-Schublade
- 8- Abdeckung der Schublade
- 9- Fresh 0°C-Schublade
- 10- Türfach

B: Gefrierfach

- 11- Obere Gefrierschrank-Schublade
- 12- Mittlere Gefrierschrank-Schublade
- 13- Untere Gefrierschrank-Schublade

i HINWEIS

Aufgrund von technischen Änderungen und unterschiedlichen Modellen können einige der Abbildungen in diesem Handbuch von Ihrem Modell abweichen.



CNCQ4T618DW
 CNCQ4T618CX
 CNCQ4T618EX
 CNCQ4T618EB
 CNCQ4T618EW

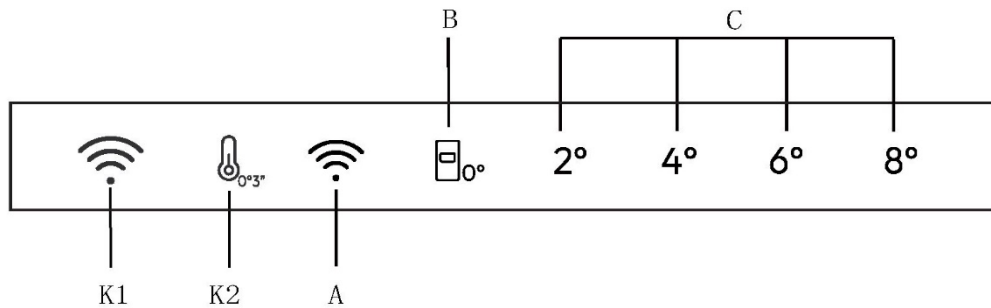
A: Kühlfach des Kühlschranks

- 8
- 1- Bedienfeld
 - 2- Einlegeboden aus Glas
 - 3- Einlegeboden aus Glas
 - 4- Einlegeboden aus Glas
 - 5- Humidity Zone-Schublade
 - 6- Abdeckung der Schublade
 - 7- Fresh 0°C-Schublade
 - 8- Türfach

B: Gefrierfach

- 9- Obere Gefrierschrank-Schublade
- 10- Mittlere Gefrierschrank-Schublade
- 11- Untere Gefrierschrank-Schublade

Bedienfeld



Tasten

K1 Wi-Fi-Funktion ein/aus.

K2 Temperaturwahltaste ein/aus, zum Ein- und Ausschalten der Fresh 0°C-Anzeige

A Wi-Fi-Anzeige.

Anzeigen

B Funktion Fresh 0°C

C Temperaturanzeige Kühlschrank

Vor der ersten Inbetriebnahme

- ▶ Entfernen Sie sämtliches Verpackungsmaterial, bewahren Sie es außerhalb der Reichweite von Kindern auf und entsorgen Sie es umweltfreundlich.
- ▶ Reinigen Sie die Innen- und Außenseite des Geräts sowie den Innenraum und das Zubehör mit Wasser und einem milden Reinigungsmittel, und trocknen Sie es mit einem weichen Tuch gut ab.
- ▶ Warten Sie, nachdem Sie den Kühlschrank ausgerichtet und gereinigt haben, mindestens 2 Stunden, bevor Sie ihn an die Stromversorgung anschließen. Siehe Abschnitt INSTALLATION.
- ▶ Kühlen Sie die Fächer auf hoher Stufe vor, bevor Sie die Lebensmittel einlegen.

Mechanische Tasten

Die Tasten auf dem Bedienfeld sind mechanische Tasten.

Gerät ein-/ausschalten

Das Gerät ist sofort in Betrieb, wenn es an die Stromversorgung angeschlossen wird.

Beim ersten Einschalten des Kühlschranks leuchtet die Anzeige „4°“ von „B“

(Kühlschranktemperaturanzeige) und die Anzeige „ 0°“ der 0°C Schublade auf.

Die Kühlschranktemperatur und die Gefrierschranktemperatur werden automatisch auf 4°C bzw. -20°C eingestellt, wenn die 0°C Schublade in Betrieb genommen wird.



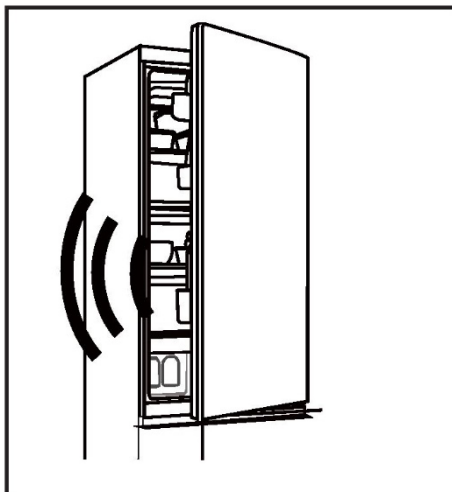
HINWEIS

Das Gerät ist auf die empfohlene Temperatur von 4°C voreingestellt. Falls gewünscht, können Sie diese Temperatur manuell ändern.

Türöffnungsalarm

Wenn die Kühlschranktür länger als 3 Minuten geöffnet ist, ertönt der Türöffnungsalarm.

Der Alarm kann durch Schließen der Tür ausgeschaltet werden. Wenn die Tür länger als 7 Minuten geöffnet bleibt, schalten sich das Licht im Inneren des Kühlschranks und die Beleuchtung des Bedienfelds automatisch aus.



Einschalten/Ausschalten

Wenn das Gerät eingeschaltet ist, drücken Sie die Taste K1 drei Sekunden lang. Das Gerät geht in den Standby-Modus, der Kompressor hört auf zu arbeiten und das Licht erlischt. Wenn das Gerät im Standby-Modus ist, drücken Sie die Taste K1 drei Sekunden lang. Das Gerät schaltet sich ein, der Kompressor arbeitet und das Licht leuchtet.

Temperatur einstellen

Die Temperaturen im Inneren werden durch folgende Faktoren beeinflusst:

Umgebungstemperatur



Häufigkeit der Türöffnung
Menge der gelagerten Lebensmittel
Installation des Geräts


Einstellen der Temperatur für das Kühl-/Gefrierfach


1. Drücken Sie die Taste „K2“ (Auswahl der Kühlschranktemperatur), um die Kühlschranktemperatur auszuwählen.
2. Die Anzeige „B“ (Kühlschranktemperaturanzeige) leuchtet abwechselnd wie unten dargestellt.

2° → 4° → 6° → 8°

3. Wenn Sie die Kühlschranktemperatur auf dem Bedienfeld auswählen, ist die entsprechende Temperatur für den Gefrierschrank 2°(-22°) → 4°(-20°) → 6°(-18°) → 8°(-16°).

Funktion Fresh 0°C

Um in den Modus „0°“ zu gelangen, drücken Sie bei geöffneter Kühlschranktür 3 Sekunden lang die Taste K2, woraufhin ein akustisches Signal ertönt, die Anzeige „ 0°“ leuchtet auf und die Temperatur von Fresh 0°C liegt nahe 0°C.

Um den Modus „0°“ zu verlassen, drücken Sie bei geöffneter Kühlschranktür 3 Sekunden lang die Taste K2, woraufhin ein akustisches Signal ertönt und die Anzeige „ 0°“ erlischt; die Temperatur der „0°“ Schublade ändert sich mit der Temperatur des Kühlschranks.

Einstellung der Gradwerte

Nachdem das Wi-Fi des Kühlschranks erfolgreich verbunden wurde, können Sie den Gradwert über die APP einstellen; nach der Einstellung erlöschen die Anzeigen C. Die Türleuchte blinkt einmal für jede erfolgreiche Gradeinstellung.

Der einstellbare Bereich des Kühlschranks ist 2°, 3°, 4°, 5°, 6°, 7°, 8°;

Der einstellbare Bereich des Gefrierschranks ist -24°, -23°, -22°, -21°, -20°, -19°, -18°, -17°, -16°. Die Funktion Fresh 0°C kann geöffnet oder geschlossen werden.

Super Freeze-Funktion

1. Frische Lebensmittel sollten so schnell wie möglich bis zum Kern eingefroren werden. So bleiben Nährwert, Aussehen und Geschmack am besten erhalten. Die Super Freeze-Funktion beschleunigt das Einfrieren frischer Lebensmittel und schützt die bereits gelagerte Ware vor unerwünschter Erwärmung. Wenn Sie eine große Menge an Lebensmitteln auf einmal einfrieren müssen, empfiehlt es sich, die Super Freeze-Funktion für 24 Stunden vor der Nutzung des Gefrierraums zu aktivieren.

2. Sie können die Super Freeze-Funktion über die APP aufrufen. Zu diesem Zeitpunkt erlischt das Symbol C auf der Anzeige.



HINWEIS

1. Das Gerät beendet die Super Freeze-Funktion automatisch nach 50 Stunden, nach Drücken der Taste „K2“ oder wenn sie über die App ausgeschaltet wurde.
2. Im Super Freeze-Status können Sie die Temperatur für das Gefrierfach nicht einstellen.



Super Cool-Funktion

1. Es wird empfohlen, die Super Cool-Funktion einzuschalten, wenn eine große Menge an Lebensmitteln gelagert werden soll (z. B. nach dem Einkauf). Die Super Cool-Funktion beschleunigt die Abkühlung frischer Lebensmittel und schützt die bereits gelagerte Ware vor unerwünschter Erwärmung.
2. Sie können die Super Cool-Funktion über die APP aufrufen. Zu diesem Zeitpunkt erlischt das Symbol C auf der Anzeige.



HINWEIS

1. Das Gerät beendet die Super Cool-Funktion automatisch nach 6 Stunden, nach Drücken der Taste „K2“ oder wenn sie über die App ausgeschaltet wurde.
2. Im Super Cool-Status können Sie die Temperatur für das Kühlfach nicht einstellen.

Holiday-Funktion

Die Holiday-Funktion kann verwendet werden, um den Energieverbrauch des Geräts zu reduzieren, wenn es nicht regelmäßig benutzt wird. Wenn die Funktion eingeschaltet ist, wird der Kühlschrank ausgeschaltet, während der Gefrierschrank normal weiterarbeitet. Die Funktion stellt die Kühlschranktemperatur dauerhaft auf 17 °C ein. Sie können die Holiday-Funktion über die APP aufrufen. Zu diesem Zeitpunkt erlischt das Symbol C auf der Anzeige.



HINWEIS

Die Funktion kann durch Einstellen der Kühlschranktemperatur oder durch eine andere Einstellung deaktiviert oder über die App ausgeschaltet werden. Wenn der Holiday-Modus eingeschaltet ist, ist das Kühllicht ausgeschaltet.

Wi-Fi-Verbindungsfunktion

Drücken Sie bei geöffneter Kühlschranktür die Taste K1 3 Sekunden lang. Der Kühlschrank gibt einen Signalton ab, das Symbol A blinkt schnell und das Wi-Fi wechselt in den Konfigurationsmodus.

Alarm bei offener Tür und Tipps zur Fehlerbehebung

Wenn die Kühlschranktür offen ist und nicht innerhalb von 3 Minuten geschlossen wird, gibt der Kühlschrank einen wiederholten Signalton aus, gleichzeitig blinkt die Türkontrollleuchte; wenn die Tür nach 13 Minuten immer noch offen ist, gibt der Kühlschrank keinen Piep-Ton mehr aus und die Türkontrollleuchte blinkt weiter.

Wenn die Tür des Gefrierschranks geschlossen ist und der Kühlschrank immer noch einen wiederholten Signalton ausgibt oder die Türkontrollleuchte weiterhin blinkt, sind möglicherweise Teile des Kühlschranks defekt; wenden Sie sich bitte so bald wie möglich an den Kundendienst.

Wenn der Kühlschrank ausgeschaltet wird, wird der momentane Zustand des Stromausfalls gespeichert, und wenn der Strom wieder eingeschaltet wird, läuft der Kühlschrank entsprechend dem eingestellten Gradwert und Funktionsstatus vor dem Stromausfall weiter.



Tipps zum Lagern frischer Lebensmittel

Aufbewahrung im Kühlschrank

Halten Sie die Temperatur Ihres Kühlschranks unter 5 °C.

Heiße Lebensmittel vor der Lagerung im Kühlschrank auf Raumtemperatur abkühlen lassen.

Lebensmittel sollten vor der Lagerung im Kühlschrank gewaschen und abgetrocknet werden.

Die zu lagernden Lebensmittel sollten gut verpackt und verschlossen sein, um Geruchs- oder Geschmacksveränderungen zu vermeiden.

Lagern Sie keine übermäßigen Mengen an Lebensmitteln. Lassen Sie Zwischenräume zwischen den Lebensmitteln, damit die kalte Luft zirkulieren kann, um eine bessere und gleichmäßigere Kühlung zu erreichen.

Lebensmittel, die täglich verzehrt werden, sollten im vorderen Teil des Einlegebodens gelagert werden.

Lassen Sie Platz zwischen den Lebensmitteln und den Innenwänden, damit die Luft zirkulieren kann. Lagern Sie Lebensmittel niemals an der Rückwand, da sie dort festfrieren könnten. Vermeiden Sie den direkten Kontakt von Lebensmitteln (insbesondere bei öligen oder säurehaltigen Lebensmitteln) mit der Innenauskleidung, da Öl/Säure diese angreifen kann. Reinigen Sie ölige/saure Verschmutzungen sofort, wenn Sie sie sehen.

Gefrorene Lebensmittel können im Kühlschrank schonend aufgetaut werden. Das spart Energie.

Die Reifung von Obst und Gemüse wie Zucchini, Melonen, Papaya, Banane, Ananas usw. kann im Kühlschrank beschleunigt werden. Daher sollten sie nicht im Kühlschrank aufbewahrt werden. Die Reifung von noch grünem Obst kann im Kühlschrank jedoch auch beschleunigt werden. Zwiebeln, Knoblauch, Ingwer und anderes Wurzelgemüse sollten ebenfalls bei Raumtemperatur gelagert werden.

Unangenehme Gerüche im Inneren des Kühlschranks sind ein Zeichen dafür, dass etwas verschüttet wurde und gesäubert werden muss. Siehe „Pflege und Reinigung“.

Verschiedene Lebensmittel sollten entsprechend ihrer Eigenschaften an verschiedenen Stellen eingeräumt werden.

Einlagerung im Gefrierfach

- Halten Sie die Gefriertemperatur bei -18°C.
- Heiße Lebensmittel vor der Lagerung im Gefrierschrank auf Raumtemperatur abkühlen lassen.
- In kleine Portionen geschnittene Lebensmittel frieren schneller ein und lassen sich leichter auftauen und garen. Das empfohlene Gewicht für jede Portion beträgt höchstens 2,5 kg.



- Lebensmittel verpacken, bevor Sie sie in den Gefrierschrank legen. Die Außenseite der Verpackung muss trocken sein, damit die Gefrierbeutel nicht aneinander kleben. Verpackungsmaterialien sollten geruchsfrei, luftdicht, lebensmittelecht und ungiftig sein.
- Damit das Verfallsdatum nicht abläuft, notieren Sie sich das Einfrierdatum, das Verfallsdatum und den Namen des Lebensmittels auf der Verpackung. Unterschiedliche Lebensmittel können unterschiedlich lange gelagert werden.



WARNUNG!

- Säuren, Laugen und Salze usw. könnten die Innenfläche des Gefriergeräts erodieren.
- Legen Sie die Lebensmittel, die diese Stoffe enthalten (z. B. Seefisch), nicht direkt auf die Innenfläche. Ausgetropftes Salzwasser im Gefrierschrank sollte sofort beseitigt werden.
- Überschreiten Sie nicht die von den Herstellern empfohlene Haltbarkeitsdauer der Lebensmittel. Nehmen Sie nur die benötigte Menge an Lebensmitteln aus dem Gefrierschrank.
- Verbrauchen Sie aufgetaute Lebensmittel schnell. Aufgetaute Lebensmittel können nicht wieder eingefroren werden, es sei denn, sie wurden erneut durchgegart. Ansonsten können sie ungenießbar sein.
- Legen Sie keine übermäßigen Mengen an frischen Lebensmitteln in das Gefrierfach. Informieren Sie sich über die Gefrierkapazität des Tiefkühlgeräts. - Siehe TECHNISCHE DATEN oder Daten auf dem Typenschild.
- Lebensmittel können im Gefrierschrank bei einer Temperatur von mindestens -18°C je nach Beschaffenheit 2 bis 12 Monate gelagert werden (z. B. Fleisch: 3-12 Monate, Gemüse: 6-12 Monate).
- Vermeiden Sie beim Einfrieren frischer Lebensmittel den Kontakt mit bereits gefrorenen Lebensmitteln. Gefahr des Auftauens!

Beachten Sie bei der Lagerung von handelsüblicher Tiefkühlware diese Richtlinien:

- Befolgen Sie immer die Richtlinien der Hersteller, die angeben, wie lange die Lebensmittel aufbewahrt werden können. Überschreiten Sie diese Richtlinien nicht!
- Versuchen Sie, die Zeitspanne zwischen Einkauf und Lagerung so kurz wie möglich zu halten, um die Lebensmittelqualität zu erhalten.
- Kaufen Sie Tiefkühlkost, die bei einer Temperatur von -18°C oder darunter gelagert wurde.
- Vermeiden Sie den Kauf von Lebensmitteln, die Eis oder Reif auf der Verpackung haben. Dies deutet darauf hin, dass die Produkte möglicherweise teilweise aufgetaut und irgendwann wieder eingefroren wurden. Temperaturerhöhungen beeinträchtigen die Qualität der Lebensmittel.

Einstellung des WLAN-Modus

KOPPLUNGSVORGANG IN DER APP

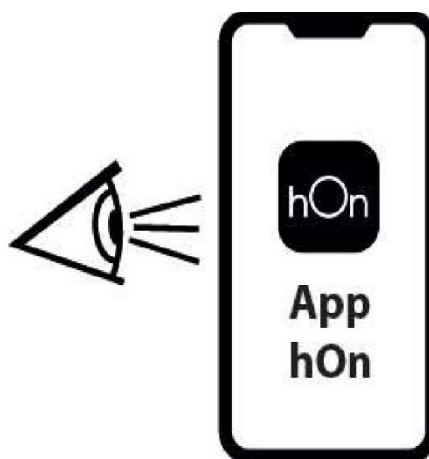
Schritt 1 • Laden Sie die hOn-App aus den Stores herunter.



Schritt 2 • Erstellen Sie Ihr Konto in der hOn-App oder melden Sie sich an, wenn Sie bereits ein Konto haben.



Schritt 3 • Folgen Sie den Kopplungsanweisungen in der hOn-App.

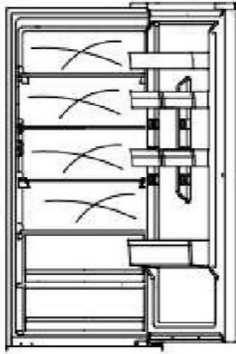


Funkmodul - Technische Daten

Frequenzrate (OFR)	2400 MHz-2843,5 MHz
Kanalfrequenzen	2412...2472 MHz (Schrittweite 5 MHz)
Maximale Leistung (EIRP)	100 mW

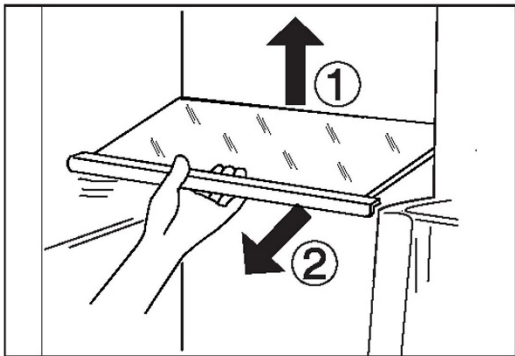
i HINWEIS

Aufgrund der unterschiedlichen Modelle verfügt Ihr Produkt möglicherweise nicht über alle der folgenden Funktionen. Bitte beachten Sie das Kapitel zur Produktbeschreibung.



Mehrfach-Luftstrom

Der Kühlschrank ist mit einem Mehrfach-Luftstrom-System ausgestattet, bei dem auf jeder Ebene der Einlegeböden kühle Luftströme zirkulieren. Dadurch wird eine gleichmäßige Temperatur aufrechterhalten, um sicherzustellen, dass Ihre Lebensmittel länger frisch bleiben.

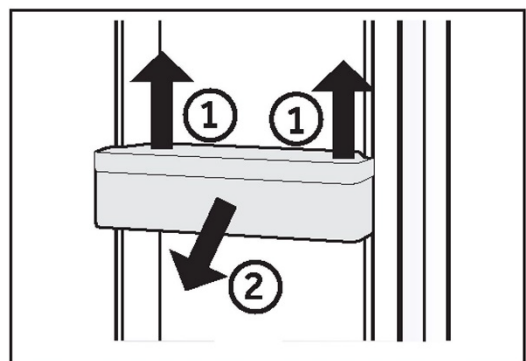


Verstellbare Einlegeböden

1. Die Höhe der Einlegeböden kann an Ihren Lagerbedarf angepasst werden.
2. Um einen Einlegeboden zu versetzen, heben Sie ihn an der Hinterkante an ① und ziehen Sie ihn heraus ②.
3. Um ihn wieder einzubauen, setzen Sie ihn auf die Träger an beiden Seiten und schieben Sie ihn ganz nach hinten, bis die Rückseite des Einlegebodens in den Schlitzen an den Seiten steckt.

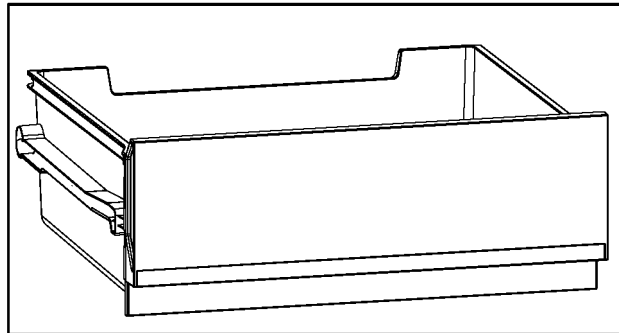
Abnehmbare Türfächer/Flaschenhalter

1. Die Türablagen können zur Reinigung herausgenommen werden:
2. Halten Sie dazu die Ablage mit beiden Händen fest, heben Sie sie nach oben ① und ziehen Sie sie heraus ②.
3. Um die Ablage wieder einzusetzen, werden die oben genannten Schritte in umgekehrter Reihenfolge durchgeführt.



Schublade des Kühlschranks

Informationen zur Verwendung und Einstellung des Kühlfachs finden Sie im Abschnitt VERWENDUNG.



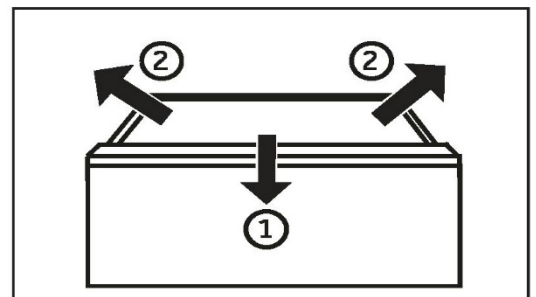
Gefrierschublade

Die Gefrierschublade kann gerade und vollständig ausgezogen werden. Sie ist auf einer leichtgängigen Teleskopschiene montiert. So können Sie das Gefriergut bequem lagern und entnehmen. Durch den automatischen Türschließmechanismus ist die Handhabung einfach und Sie sparen Energie.

Herausnehmbare Schublade

Um die Schublade herauszunehmen, diese bis zum Anschlag herausziehen (1), anheben und herausnehmen (2).

Um die Schublade wieder einzusetzen, werden die oben genannten Schritte in umgekehrter Reihenfolge durchgeführt.



WARNUNG!

Schubladen nicht überladen: Maximale Belastung der einzelnen Schubladen: 35 kg!

Beleuchtung

Die LED-Innenbeleuchtung leuchtet, wenn die Tür geöffnet wird. Die Leistung der LEDs wird durch keine der anderen Geräteeinstellungen beeinflusst.



Energiespartipps

- ▶ Stellen Sie sicher, dass das Gerät ordnungsgemäß belüftet ist (siehe INSTALLATION).
- ▶ Stellen Sie das Gerät nicht in direktem Sonnenlicht oder in der Nähe von Hitzequellen (z. B. Herden, Heizungen) auf.
- ▶ Vermeiden Sie unnötig niedrige Temperaturen im Gerät. Je niedriger die im Gerät eingestellte Temperatur ist, desto höher ist der Energieverbrauch.
- ▶ Lassen Sie warme Mahlzeiten abkühlen, bevor Sie diese in den Kühlschrank stellen.
- ▶ Öffnen Sie die Gerätetür so wenig und so kurz wie möglich.
- ▶ Achten Sie darauf, das Gerät nicht zu überladen, um den Luftstrom nicht zu behindern.
- ▶ Vermeiden Sie Luft innerhalb der Lebensmittelverpackung.
- ▶ Halten Sie die Türdichtungen sauber, damit die Tür immer richtig schließt.
- ▶ Die energiesparendste Konfiguration erfordert, dass Schublade, Lebensmittelbox und Einlegeböden im Gerät so wie geliefert eingesetzt sind und die Lebensmittel so platziert werden, dass sie den Luftauslass des Kanals nicht blockieren.



WARNUNG!

Trennen Sie das Gerät vor der Reinigung von der Stromversorgung.

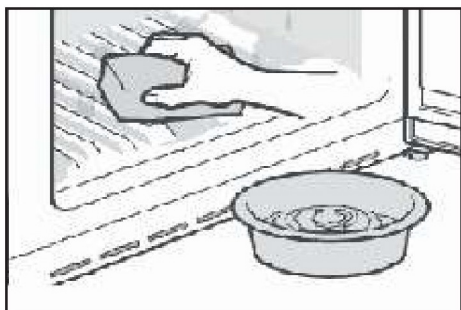
Reinigung

Reinigen Sie das Gerät, wenn nur wenig oder keine Lebensmittel gelagert werden. Das Gerät sollte alle vier Wochen gereinigt werden, um eine gute Wartung zu gewährleisten und um schlechte Gerüche von gelagerten Lebensmitteln zu vermeiden.



WARNUNG!

- ▶ Reinigen Sie das Gerät nicht mit harten Bürsten, Drahtbürsten, Reinigungspulver, Benzin, Amylacetat, Aceton und ähnlichen organischen Lösungen, Säure oder Alkalilösungen. Reinigen Sie das Gerät mit einem speziellen Reinigungsmittel für Kühlgeräte, um Beschädigungen zu vermeiden.
- ▶ Das Gerät darf während der Reinigung nicht besprüht oder mit Wasser beschüttet werden.
- ▶ Das Gerät nicht mit Wasser besprühen oder mit Dampf reinigen.
- ▶ Reinigen Sie die kalten Einlegeböden aus Glas nicht mit heißem Wasser. Plötzliche Temperaturschwankungen können dazu führen, dass das Glas zerspringt.
- ▶ Berühren Sie nicht die Innenfläche des Gefrierschranks, insbesondere nicht mit nassen Händen, da Ihre Hände an der Oberfläche festfrieren könnten.



- ▶ Halten Sie die Türdichtung immer sauber.
- ▶ Reinigen Sie das Innere und das Gehäuse des Geräts mit einem Schwamm, der mit warmem Wasser und einem neutralen Reinigungsmittel angefeuchtet wurde.
- ▶ Säubern Sie den Kühlschrank außen und innen, einschließlich Türdichtungen, Türablage, Einlegeböden aus Glas, Schubladen usw., gründlich mit einem weichen Geschirrtuch oder einem Schwamm mit warmem Wasser (eventuell mit etwas neutralem Reinigungsmittel im Wasser).
- ▶ Wenn Flüssigkeit verschüttet wurde, nehmen Sie alle verschmutzten Teile heraus, spülen Sie sie unter fließendem Wasser ab, trocknen Sie sie ab und setzen Sie sie wieder in den Kühlschrank ein.
- ▶ Bei verschütteten Milchprodukten (z. B. Sahne, schmelzendes Eis) entfernen Sie die verunreinigten Teile, legen Sie sie für eine Weile in ca. 40 °C warmes Wasser, spülen Sie sie dann unter fließendem Wasser ab, trocknen Sie sie ab, und setzen Sie sie wieder in den Kühlschrank ein.
- ▶ Falls ein kleines Teil oder Krümel im Inneren des Kühlschranks (zwischen die Ablagen oder Schubladen) festsitzen, lösen Sie die Verunreinigung mit einer weichen Zahnbürste. Wenn Sie die Verunreinigung nicht entfernen konnten, wenden Sie sich bitte an den Haier-Kundendienst.
- ▶ Wischen Sie den Kühlschrank mit einem feuchten Tuch gründlich aus und trocknen Sie ihn mit einem weichen Tuch ab.

- ▶ Reinigen Sie Geräteteile nicht in einer Geschirrspülmaschine.
- ▶ Warten Sie vor dem Neustart mindestens 7 Minuten, da durch häufiges Einschalten der Kompressor beschädigt werden kann.

Abtauen

Das Abtauen des Kühl- und Gefrierschranks erfolgt automatisch, es ist keine manuelle Tätigkeit erforderlich.

Austausch der LED-Leuchten



WARNUNG!

Wechseln Sie die LED nicht selbst. Sie darf nur vom Hersteller oder von einem autorisierten Service-Mitarbeiter ausgetauscht werden.

Die Leuchte nutzt als Lichtquelle eine LED mit geringem Energieverbrauch und langer Lebensdauer. Bei Anomalien wenden Sie sich bitte an den Kundenservice. Siehe KUNDENSERVICE.

Parameter der Leuchte:

Kühlfach: 12 V max. 1,5 W

Nichtverwendung für einen längeren Zeitraum

Wenn das Gerät über einen längeren Zeitraum nicht verwendet wird:

Nehmen Sie die Lebensmittel heraus.

Ziehen Sie das Netzkabel ab.

Reinigen Sie das Gerät wie oben beschrieben.

Lassen Sie die Türen auf, um die Bildung von schlechten Gerüchen zu verhindern.



HINWEIS

Schalten Sie das Gerät nur aus, wenn es unbedingt nötig ist.

Verstellen des Geräts

1. Nehmen Sie alle Lebensmittel heraus und ziehen Sie den Gerätestecker aus der Steckdose.
2. Fixieren Sie die Einlegeböden und andere bewegliche Teile im Kühlschrank und im Gefrierschrank mit Klebeband.
3. Den Kühlschrank um maximal 45° kippen, um eine Beschädigung des Kühlsystems zu vermeiden.



WARNUNG!

- ▶ Heben Sie das Gerät nicht an seinen Griffen an.
- ▶ Stellen Sie das Gerät niemals waagrecht auf den Boden.

Viele auftretende Probleme können von Ihnen selbst ohne spezifische Fachkenntnisse gelöst werden. Bei Problemen prüfen Sie bitte alle angezeigten Möglichkeiten und befolgen Sie die nachstehenden Anweisungen, bevor Sie einen Kundendienst kontaktieren. Siehe KUNDENSERVICE.



WARNUNG!

- ▶ Schalten Sie das Gerät vor der Wartung aus und ziehen Sie den Netzstecker aus der Steckdose.
- ▶ Elektrische Geräte sollten nur von qualifizierten Fachelektrikern repariert werden, da unsachgemäße Reparaturen erhebliche Folgeschäden verursachen können.
- ▶ Eine beschädigte Lieferung sollte nur vom Hersteller, von seinem Service-Mitarbeiter oder einer gleichwertig qualifizierten Person ausgetauscht werden, um jegliches Risiko zu vermeiden.

Problem	Mögliche Ursache	Mögliche Behebung
Der Kompressor funktioniert nicht.	<ul style="list-style-type: none"> • Der Netzstecker ist nicht an die Steckdose angeschlossen. • Das Gerät befindet sich im Abtauvorgang. 	<ul style="list-style-type: none"> • Den Netzstecker anschließen. • Dies ist normal für eine automatische Abtauung.
Das Gerät läuft häufig oder zu lange.	<ul style="list-style-type: none"> • Die Innen- oder Außentemperatur ist zu hoch. • Das Gerät wurde über einen längeren Zeitraum ausgeschaltet. • Eine Gerätetür wurde nicht richtig geschlossen. • Die Tür wurde zu häufig oder zu lange geöffnet. • Die Temperatur für den Gefrierschrank ist zu niedrig. • Die Türdichtungen sind verschmutzt, verschlissen, gerissen oder verrutscht. • Die erforderliche Luftzirkulation ist nicht gewährleistet. 	<ul style="list-style-type: none"> • In diesem Fall ist es normal, dass das Gerät länger läuft. • Normalerweise dauert es 8 bis 12 Stunden, bis das Gerät vollständig abgekühlt ist. • Die Tür/Schublade schließen und sicherstellen, dass das Gerät auf einem ebenem Untergrund steht und dass keine Lebensmittel oder Behälter gegen die Tür stoßen. • Die Tür/Schublade nicht zu häufig öffnen. • Die Temperatur höher einstellen, bis eine zufriedenstellende Kühlschranktemperatur erreicht ist. Es dauert 24 Stunden, bis sich die Kühlschranktemperatur stabilisiert hat. • Die Tür-/Schubladendichtungen reinigen oder vom Kundendienst ersetzen lassen. • Für eine ausreichende Belüftung sorgen.



Problem	Mögliche Ursache	Mögliche Behebung
Das Innere des Kühlschranks ist schmutzig und/oder übelriechend.	<ul style="list-style-type: none"> • Das Innere des Kühlschranks muss gereinigt werden. • Lebensmittel mit starkem Geruch werden im Kühlschrank gelagert. 	<ul style="list-style-type: none"> • Das Innere des Kühlschranks reinigen. • Packen Sie diese Lebensmittel sorgfältig ein.
Das Innere des Geräts ist nicht kalt genug.	<ul style="list-style-type: none"> • Die Temperatur ist zu hoch eingestellt. • Es wurden zu warme Lebensmittel eingelagert. • Es wurden zu viele Lebensmittel auf einmal hineingelegt. • Die Lebensmittel liegen zu dicht beieinander. • Eine Tür/Schublade wurde nicht richtig geschlossen. • Die Tür/Schublade wurde zu häufig oder zu lange geöffnet. 	<ul style="list-style-type: none"> • Die Temperatur zurücksetzen. • Die Lebensmittel immer abkühlen lassen, bevor Sie sie hineinlegen. • Nur kleinere Mengen an Lebensmitteln hineinlegen. • Zwischen mehreren Lebensmitteln einen Abstand lassen, damit die Luft zirkulieren kann. • Die Tür/Schublade schließen. • Die Tür/Schublade nicht zu häufig öffnen.
Das Innere des Geräts ist zu kalt.	<ul style="list-style-type: none"> • Die Temperatur ist zu niedrig eingestellt. 	<ul style="list-style-type: none"> • Die Temperatur zurücksetzen.
Feuchtigkeitsbildung im Innern des Kühlfachs.	<ul style="list-style-type: none"> • Das Klima ist zu warm und zu feucht. • Eine Tür/Schublade wurde nicht richtig geschlossen. • Die Tür/Schublade wurde zu häufig oder zu lange geöffnet. • Lebensmittelbehälter oder Flüssigkeiten werden offen gelassen. 	<ul style="list-style-type: none"> • Die Temperatur erhöhen. • Die Tür/Schublade schließen. • Die Tür/Schublade nicht zu häufig öffnen. • Heiße Speisen auf Raumtemperatur abkühlen lassen und Speisen und Flüssigkeiten abdecken.
Feuchtigkeit sammelt sich außen am Kühlschrank oder zwischen der Tür oder den Türen und der Schublade.	<ul style="list-style-type: none"> • Das Klima ist zu warm und zu feucht. • Die Tür ist nicht richtig geschlossen. Die kalte Luft im Gerät und die warme Außenluft kondensieren. 	<ul style="list-style-type: none"> • Das ist bei feuchtem Klima normal und ändert sich, wenn die Feuchtigkeit abnimmt. • Prüfen Sie, ob die Tür/Schublade fest geschlossen ist.



Problem	Mögliche Ursache	Mögliche Behebung
Starke Eisbildung und Frost im Gefrierfach.	<ul style="list-style-type: none">• Die Lebensmittel sind nicht angemessen verpackt.• Eine Tür/Schublade wurde nicht richtig geschlossen.• Die Tür/Schublade wurde zu häufig oder zu lange geöffnet.• Die Tür-/Schubladendichtungen sind verschmutzt, verschlissen, gerissen oder verrutscht.• Etwas im Inneren verhindert, dass die Tür/Schublade richtig schließt.	<ul style="list-style-type: none">• Die Lebensmittel immer gut verpacken.• Die Tür/Schublade schließen.• Die Tür/Schublade nicht zu häufig öffnen.• Die Tür-/Schubladendichtungen reinigen oder austauschen.• Die Einlegeböden, Türfächer oder Behälter so versetzen, dass die Tür/Schublade richtig schließt.
Die Seitenwände des Schrankes und die Türleiste werden warm.	<ul style="list-style-type: none">• -	<ul style="list-style-type: none">• Das ist normal.
Das Gerät macht ungewöhnliche Geräusche.	<ul style="list-style-type: none">• Das Gerät befindet sich nicht auf einem ebenen Untergrund.• Das Gerät berührt einige Gegenstände um es herum.	<ul style="list-style-type: none">• Die Füße entsprechend einstellen, um das Gerät zu nivellieren.• Die Gegenstände um das Gerät herum entfernen.
Es ist ein leichtes Geräusch zu hören, ähnlich wie dem von fließendem Wasser.	<ul style="list-style-type: none">• -	<ul style="list-style-type: none">• Das ist normal.
Sie hören einen Signalton.	<ul style="list-style-type: none">• Die Kühlschranktür ist offen.	<ul style="list-style-type: none">• Die Tür schließen.
Sie hören ein schwaches Brummen.	<ul style="list-style-type: none">• Das Antikondensationsystem arbeitet.	<ul style="list-style-type: none">• Dies verhindert Kondensation und ist normal.
Die Innenbeleuchtung oder das Kühlsystem funktioniert nicht.	<ul style="list-style-type: none">• Der Demo-Modus ist aktiviert.	<ul style="list-style-type: none">• Der Kühlschrank ist an das Stromnetz angeschlossen und die Kühlschranktür ist geöffnet.• Die Taste K1 drücken und gedrückt halten und fünfmal auf die Taste K2 klicken, dann hört das Symbol auf, kreisförmig zu leuchten.



Problem	Mögliche Ursache	Mögliche Behebung
Die Innenbeleuchtung oder das Kühlsystem funktioniert nicht.	<ul style="list-style-type: none"> • Der Netzstecker ist nicht an die Steckdose angeschlossen. • Die Stromversorgung ist nicht intakt. • Die LED-Leuchte ist defekt. 	<ul style="list-style-type: none"> • Den Netzstecker anschließen. • Die Stromversorgung des Raums überprüfen. Den örtlichen Stromversorger anrufen! • Für den Austausch der Leuchte rufen Sie bitte den Kundendienst an.

Um den technischen Kundendienst zu kontaktieren, besuchen Sie unsere Website: <https://corporate.haier-europe.com/en/>

Wählen Sie im Abschnitt „Website“ die Marke Ihres Produkts und Ihr Land aus. Sie werden auf die entsprechende Website weitergeleitet, auf der Sie die Telefonnummer und das Formular zur Kontaktaufnahme mit dem technischen Kundendienst finden.

Stromunterbrechung

Bei Stromausfall sollten die gelagerten Lebensmittel noch 5 Stunden lang frisch gekühlt bleiben. Beachten Sie diese Tipps bei einer längeren Stromunterbrechung, insbesondere im Sommer:

- ▶ Öffnen Sie die Tür/Schublade so selten wie möglich.
- ▶ Legen Sie während eines Stromausfalls keine weiteren Lebensmittel in das Gerät.
- ▶ Wenn eine Stromunterbrechung vorher angekündigt wurde und die Unterbrechung länger als 5 Stunden dauert, bereiten Sie etwas Eis vor und legen Sie es in einen Behälter oben im Kühlfach.
- ▶ Prüfen Sie nach dem Stromausfall direkt, ob die Lebensmittel verdorben sind.
- ▶ Da die Temperatur im Kühlschrank während einer Stromunterbrechung oder eines anderen Fehlers ansteigt, werden die Haltbarkeit und die Qualität der Lebensmittel reduziert. Aufgetaute Lebensmittel sollten entweder verzehrt oder gekocht und (sofern geeignet) gleich danach wieder eingefroren werden, um Gesundheitsrisiken zu vermeiden.

Speicherfunktion bei Stromunterbrechung

Nach Wiederherstellung der Stromversorgung fährt das Gerät mit den Einstellungen fort, die vor dem Stromausfall eingestellt waren.

Auspacken



WARNUNG!

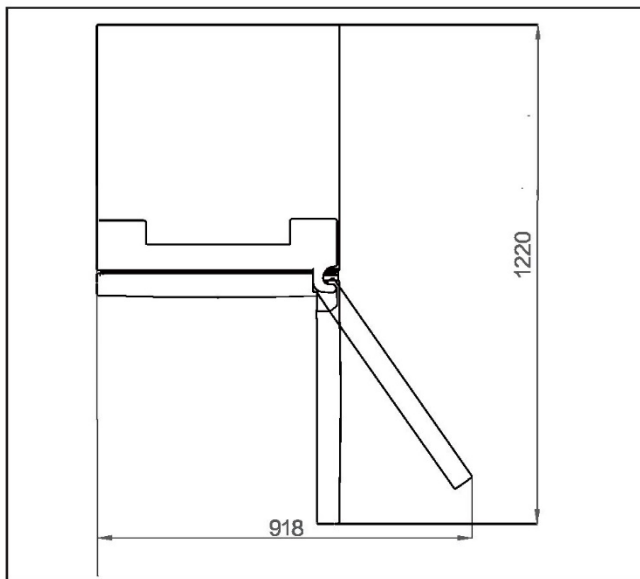
- ▶ Das Gerät ist schwer. Transportieren oder bewegen Sie es immer mit mindestens zwei Personen.
- ▶ Bewahren Sie sämtliche Verpackungsmaterialien außerhalb der Reichweite von Kindern auf und entsorgen Sie sie umweltfreundlich.
- ▶ Nehmen Sie das Gerät aus der Verpackung.
- ▶ Entfernen Sie alle Verpackungsmaterialien.

Umgebungsbedingungen

Die Raumtemperatur sollte beim Kühlschrank, z.B. CNCQ2T620EX, CNCQ2T620EW, CNCQ2T618EX, CNCQ4T618EW, CNCQ4T618EB, immer zwischen 10°C und 43°C liegen; oder die Raumtemperatur sollte beim Kühlschrank, z.B. CNCQ4T620DX, CNCQ4T620DW, immer zwischen 10°C und 38°C liegen, da sie die Temperatur im Inneren des Geräts und den Energieverbrauch beeinflussen kann. Installieren Sie das Gerät nicht in der Nähe anderer wärmeemittierender Geräte (Ofen, Kühlschränke).

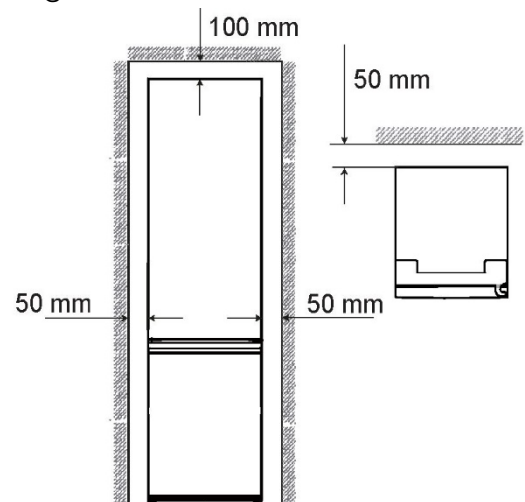
Platzbedarf

Empfohlener Abstand beim Öffnen der Tür.



Platzbedarf für eine ausreichende Belüftung

Damit eine ausreichende Belüftung des Geräts gewährleistet wird, sollten die Hinweise zum ausreichenden Platzbedarf aus Sicherheitsgründen nicht missachtet werden.

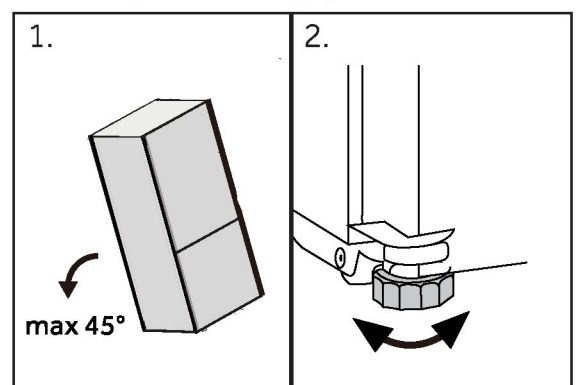


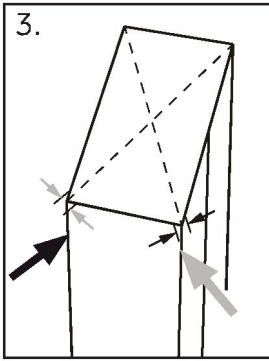
Geräteausrichtung

Das Gerät sollte auf einer flachen und festen Oberfläche aufgestellt werden.

1. Kippen Sie den Kühlschrank leicht nach hinten.
2. Die Stellfüße auf die gewünschte Höhe justieren.

Stellen Sie sicher, dass der Abstand zur Wand auf der Scharnierseite mindestens 100 mm beträgt, damit sich die Tür richtig öffnen lässt.



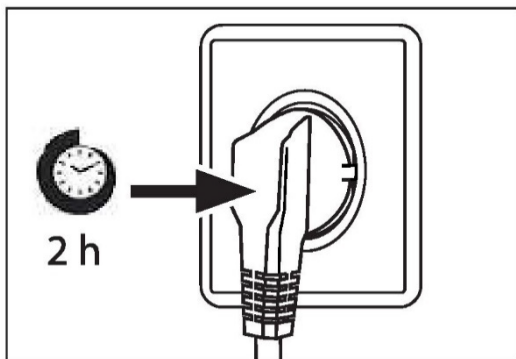


1. Die Stabilität kann durch abwechselndes Anschlagen gegen die Diagonalen überprüft werden. Das leichte Schwanken sollte in beide Richtungen gleich sein. Andernfalls kann sich der Rahmen verziehen: Mögliche undichte Türdichtungen sind die Folge. Eine geringe Neigung nach hinten erleichtert das Schließen der Türen.



HINWEIS

Für ein frei stehendes Gerät: Dieses Kühlgerät ist nicht zur Verwendung als Einbaugerät bestimmt.



Wartezeit

Das wartungsfreie Schmieröl befindet sich in der Kapsel des Kompressors. Dieses Öl kann beim Transport durch das geschlossene Rohrsystem gelangen, wenn das Gerät gekippt wird. Warten Sie mindestens 2 Stunden, bevor Sie das Gerät an die Stromversorgung anschließen, damit das Öl wieder in die Kapsel zurückfließt.

Elektrischer Anschluss

Stellen Sie vor jedem Anschluss sicher, dass:

- ▶ die Stromversorgung, Steckdose und Sicherung den Angaben auf dem Typenschild entsprechen.
- ▶ die Steckdose geerdet ist und kein Mehrfachstecker oder Verlängerungskabel vorhanden ist.
- ▶ der Netzstecker und die Steckdose richtig zusammenpassen.

Schließen Sie den Stecker an eine ordnungsgemäß installierte Haushaltssteckdose an.



WARNUNG!

Um Gefahren zu vermeiden, muss ein beschädigtes Netzkabel vom Kundenservice ausgetauscht werden (siehe Garantiekarte).

Umkehrbarkeit der Tür

Bevor Sie das Gerät an die Stromversorgung anschließen, sollten Sie prüfen, ob der Türanschlag von rechts (nach der Lieferung) nach links gewechselt werden muss, wenn der Installationsort und die Nutzbarkeit dies erfordern.



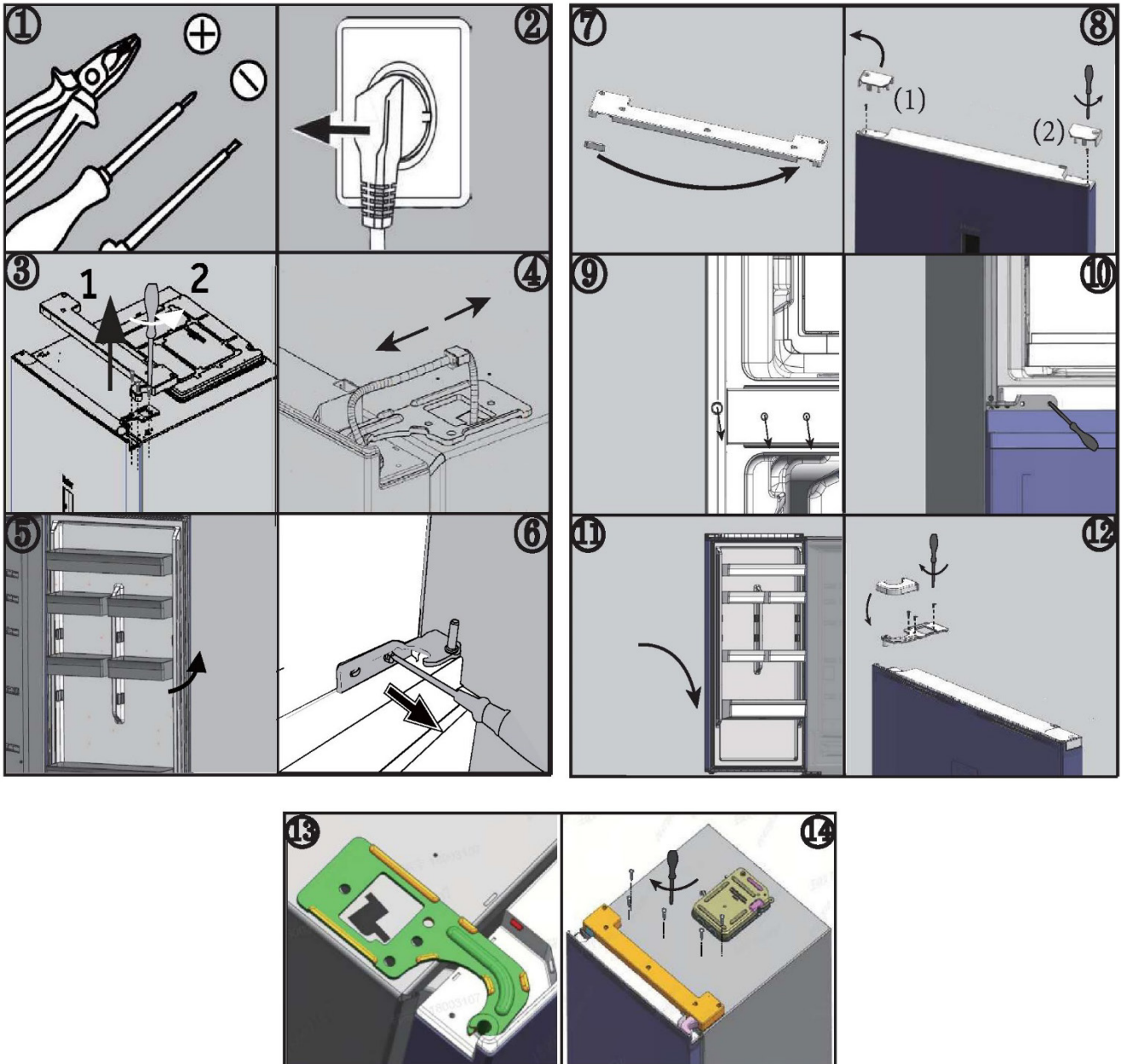
WARNUNG!

- ▶ Das Gerät ist schwer. Sie benötigen zwei Personen, um die Umkehrbarkeit der Tür zu ändern.
- ▶ Vor dem Eingriff müssen Sie zuerst den Gerätestecker aus der Steckdose ziehen.
- ▶ Das Gerät nicht um mehr als 45 ° kippen, um Schäden am Kühlsystem zu vermeiden.

Montageschritte

1. Das notwendige Werkzeug bereitstellen.
2. Ziehen Sie den Netzstecker des Geräts.
3. Entfernen Sie die obere Scharnierabdeckung 1 und schrauben Sie das obere Scharnier (drei Schrauben) auf der rechten Seite 2 ab.
4. Heben Sie die lose Kühlschrantür vorsichtig aus dem mittleren Scharnier.
5. Entfernen Sie das mittlere Scharnier.
6. Setzen Sie die kleine Abdeckung der Frontblende von links nach rechts.
7. Drehen Sie die Tür auf den Kopf und schrauben Sie die Abdeckung (1) ab. Nehmen Sie die neue Abdeckung (2) aus dem mitgelieferten Beutel und schrauben Sie sie auf der gegenüberliegenden Seite fest.
8. Ändern Sie die Positionen der Blindstopfen und der Schraube an der Seite.
9. Schrauben Sie das mittlere Scharnier an der linken Seite des Geräts fest. Achten Sie darauf, den Drehpunkt des mittleren Scharniers umzudrehen, um sicherzustellen, dass die Seite mit der Dichtung nach oben zeigt.
10. Heben Sie die obere Tür vorsichtig am mittleren Scharnier an. Achten Sie darauf, dass der Zapfen in den Scharnierzylinder der unteren Tür passt.
11. Nehmen Sie das neue obere Scharnier und die Scharnierabdeckung aus der Zubehörtasche. Befestigen Sie das obere Scharnier mit drei Schrauben auf der linken Seite des Geräts. Setzen Sie dann die Scharnierabdeckung auf.
12. Setzen Sie die vordere Abdeckung wieder auf und befestigen Sie sie mit fünf Schrauben.

Prüfen Sie nach dem Austausch der Tür, ob die Türdichtungen richtig am Gehäuse sitzen und alle Schrauben gut angezogen sind.



Umgebungstemperaturen

Subnormal: Dieses Kühlgerät ist für die Verwendung bei einer Umgebungstemperatur zwischen 10 °C und 32 °C ausgelegt.

Normal: Dieses Kühlgerät ist für die Verwendung bei einer Umgebungstemperatur zwischen 16 °C und 32 °C ausgelegt.

Subtropisch: Dieses Kühlgerät ist für die Verwendung bei einer Umgebungstemperatur zwischen 16 °C und 38 °C ausgelegt.

Tropisch: Dieses Kühlgerät ist für die Verwendung bei einer Umgebungstemperatur zwischen 16 °C und 43 °C ausgelegt.

Produktparameter gemäß der Verordnung (EU) 2019/2016

Basierend auf Standard-Testergebnissen für 24 Stunden. Der tatsächliche Energieverbrauch hängt davon ab, wie das Gerät verwendet wird und wo es steht.

Modell	CNCQ4T620EW CNCQ4T620EX CNCQ4T620EB	CNCQ4T620DX CNCQ4T620DW	CNCQ4T620CX
Typ des Kühlgeräts	Kühl-Gefrier- kombination	Kühl-Gefrier- kombination	Kühl-Gefrier- kombination
Energieeffi- zienzklasse	E	D	C
Jährlicher Energieverbrauch (kWh/Jahr)	279	223	178.
Volumen Kühlfach (L)	289	289	289
Volumen Gefrierfach (L)	120	120	120
Klasse des Gefrierschranks	4-Sterne	4-Sterne	4-Sterne
Art der Abtauung	Automatisches Abtauen	Automatisches Abtauen	Automatisches Abtauen
Temperatur- anstiegszeit (h)	11	11	13
Gefrierleistung (kg/24h)	10	10	10
Klimaklasse	SN.N.ST	SN.N.ST.T	SN.N.ST.T



Modell	CNCQ4T618DX	CNCQ4T618EW CNCQ4T618EX CNCQ4T618EB
Typ des Kühlgeräts	Kühl-Gefrierkombination	Kühl-Gefrierkombination
Energieeffizienzklasse	D	E
Jährlicher Energieverbrauch (kWh/Jahr)	216	270
Volumen Kühlfach (L)	235	235
Volumen Gefrierfach (L)	120	120
Klasse des Gefrierschranks	4-Sterne	4-Sterne
Art der Abtauung	Automatisches Abtauen	Automatisches Abtauen
Temperaturanstiegszeit (h)	11	11
Gefrierleistung (kg/24h)	10	10
Klimaklasse	SN.N.STT	SN.N.ST

Erläuterungen:

- Ja, vorhanden
- (1) Basierend auf den Ergebnissen des Normenkonformitätstests über 24 Stunden. Der tatsächliche Verbrauch hängt von der Verwendung und dem Standort des Geräts ab.
 - (2) Klima-Bewertung SN: Dieses Gerät ist für die Verwendung bei einer Umgebungstemperatur zwischen +10 °C und +32 °C ausgelegt.
 Klima-Bewertung N: Dieses Gerät ist für die Verwendung bei einer Umgebungstemperatur zwischen +16 °C und +32 °C ausgelegt.
 Klima-Bewertung ST: Dieses Gerät ist für die Verwendung bei einer Umgebungstemperatur zwischen +16 °C und +38 °C ausgelegt.
 Klima-Bewertung T: Dieses Gerät ist für die Verwendung bei einer Umgebungstemperatur zwischen +16 °C und +43 °C ausgelegt.

Zusätzliche technische Daten

Modell	CNCQ4T620EW CNCQ4T620EX CNCQ4T620EB	CNCQ4T620DX CNCQ4T620DW	CNCQ4T618EW CNCQ4T618EX CNCQ4T618EB
Gesamtvolumen (L)	409	409	355
Spannung/ Frequenz	220~240 V/50 Hz	220~240 V/50 Hz	220~240 V/50 Hz
Nennstrom (A)	0.9	1,4	0.9
Hauptsicherung (A)	15	15	15
Kältemittel	R600a(53 g)	R600a(53 g)	R600a(53 g)
Abmessungen (B/T/H in mm)	595*667*2050	595*667*2050	595*667*1850

Modell	CNCQ4T620CX	CNCQ4T618DX
Gesamtvolumen (L)	409	355
Spannung/ Frequenz	220~240 V/50 Hz	220~240 V/50 Hz
Nennstrom (A)	1,4	1,4
Hauptsicherung (A)	15	15
Kältemittel	R600a(50 g)	R600a(53 g)
Abmessungen (B/T/H in mm)	595*667*2050	595*667*1850



Wir empfehlen unseren Haier Kundendienst und die Verwendung von Original-Ersatzteilen.

Wenn Sie Probleme mit dem Gerät haben, lesen Sie bitte zuerst den Abschnitt „FEHLERBEHEBUNG“.

Wenn Sie dort keine Lösung finden, wenden Sie sich bitte an

- ▶ Ihren Händler vor Ort oder
- ▶ an unser Europäisches Call-Service-Center (siehe unten aufgeführte Telefonnummern) oder
- ▶ an den Kundendienst und Support unter www.haier.com, wo Sie den Serviceanspruch aktivieren können.
- ▶ Hier finden Sie auch die FAQ.

Um unseren Kundendienst zu kontaktieren, stellen Sie sicher, dass Sie die folgenden Daten zur Hand haben.

Die Informationen finden Sie auf dem Typenschild.

Modell _____

Seriennummer _____

Prüfen Sie im Garantiefall auch die mit dem Produkt mitgelieferte Garantiekarte.

Europäisches Call-Service-Center		
Land*	Telefonnummer	Kosten
Haier Italy (IT)	199 100 912	
Haier Spain (ES)	902 509 123	
Haier Germany (DE)	0180 5 39 39 99	<ul style="list-style-type: none"> • 14 Ct/Min Festnetz • max. 42 Ct/Min Mobil
Haier Austria (AT)	0820 001205	<ul style="list-style-type: none"> • 14,53 Ct/Min Festnetz • max. 20 Ct/Min alle anderen
Haier United Kingdom (UK)	0333 003 8122	
Haier France (FR)	0980 406 409	



*Für andere Länder siehe www.haier.com

Haier Europe Trading S.r.l

Niederlassung UK

Westgate House, Westgate, Ealing

London, W5 1YY

*Gewährleistungsdauer des Kühlgeräts:

Die Mindestgarantie beträgt: 2 Jahre für EU-Länder, 3 Jahre für die Türkei, 1 Jahr für Großbritannien, 1 Jahr für Russland, 3 Jahre für Schweden, 2 Jahre für Serbien, 5 Jahre für Norwegen, 1 Jahr für Marokko, 6 Monate für Algerien, Tunesien keine gesetzliche Gewährleistung erforderlich.

*Der Zeitraum für die Beschaffung von Ersatzteilen für die Reparatur des Geräts:

Thermostate, Temperatursensoren, Leiterplatten und Leuchtmittel sind für einen Zeitraum von mindestens sieben Jahren nach Inverkehrbringen des letzten Gerätes des Modells erhältlich.

Türgriffe, Türscharniere, Auszüge und Schubladen für eine Mindestdauer von sieben Jahren und Türdichtungen für eine Mindestdauer von 10 Jahren, nachdem das letzte Gerät des Modells in Verkehr gebracht wurde.

*Weitere Informationen zum Produkt finden Sie entweder unter

<https://eprel.ec.europa.eu/> oder Sie scannen den QR-Code auf dem Energielabel, das dem Gerät beiliegt.

<u>5 Πληροφορίες ασφάλειας</u>	Πριν από την πρώτη χρήση	6
	Εγκατάσταση	6
	Καθημερινή χρήση	7
<u>10 Προβλεπόμενη χρήση</u>		
<u>11 Περιγραφή προϊόντος</u>		
<u>13 Πίνακας ελέγχου</u>		
<u>14 Χρήση</u>	Ρύθμιση θερμοκρασίας του ψυγείου	15
	Ρύθμιση θερμοκρασίας του καταψύκτη	15
	Λειτουργία Super Freeze	15
	Λειτουργία Super Cool	16
	Λειτουργία Fresh 0°C	15
<u>20 Εξοπλισμός</u>		
<u>22 Συμβουλές εξοικονόμησης ενέργειας</u>		
<u>23 Φροντίδα και καθαρισμός</u>		
<u>25 Αντιμετώπιση προβλημάτων</u>		
<u>29 Εγκατάσταση</u>		
<u>33 Τεχνικά δεδομένα</u>		
<u>36 Εξυπηρέτηση πελατών</u>		



Κάντε κλικ στα περιεχόμενα για να δείτε λεπτομερείς πληροφορίες.

Ευχαριστούμε που αγοράσατε ένα προϊόν Candy.

Παρακαλούμε διαβάστε προσεκτικά αυτές τις οδηγίες πριν από την χρήση αυτής της συσκευής. Οι οδηγίες περιέχουν σημαντικές πληροφορίες που θα σας βοηθήσουν να αξιοποιήσετε στο έπακρο τη συσκευή και να εξασφαλίσετε την ασφαλή και σωστή εγκατάσταση, χρήση και συντήρηση.

Φυλάξτε αυτό το εγχειρίδιο σε μια προσβάσιμη θέση, ώστε να μπορείτε πάντα να ανατρέξετε σε αυτό για την ασφαλή και σωστή χρήση της συσκευής.

Εάν πουλήσετε τη συσκευή, την χαρίσετε ή την αφήσετε πίσω όταν μετακομίσετε από το σπίτι, βεβαιωθείτε ότι έχετε αφήσει επίσης και αυτό το εγχειρίδιο, ώστε ο νέος ιδιοκτήτης να εξοικειωθεί με τη συσκευή και τις προειδοποιήσεις ασφαλείας.

Εξαρτήματα

Ελέγξτε τα εξαρτήματα και τη βιβλιογραφία σύμφωνα με αυτόν τον κατάλογο:



Ένθετο
καπακιού



Ενεργειακή
ετικέτα



Κάρτα
εγγύησης



Σύντομος
οδηγός



Μεντεσέδες
πόρτας



Κάλυμμα
μεντεσέ



ΠΡΟΕΙΔΟΠΟΙΗΣΗ - Σημαντικές πληροφορίες ασφάλειας



ΣΗΜΕΙΩΣΗ-Γενικές πληροφορίες και συμβουλές



Περιβαλλοντικές πληροφορίες

Απόρριψη



Βοήθεια και συμβολή στην προστασία του περιβάλλοντος και της ανθρώπινης υγείας. Τοποθετήστε τη συσκευασία σε κατάλληλα δοχεία για την ανακύκλωση της. Συμβολή στην ανακύκλωση των αποβλήτων ηλεκτρικών και ηλεκτρονικών συσκευών. Συσκευές που φέρουν αυτό το σύμβολο μην τις απορρίπτετε μαζί με τα οικιακά απορρίμματα. Επιστρέψτε το προϊόν στην τοπική μονάδα ανακύκλωσης ή επικοινωνήστε με το αρμόδιο δημοτικό γραφείο του Δήμου σας.



ΠΡΟΕΙΔΟΠΟΙΗΣΗ!

Κίνδυνος τραυματισμού ή ασφυξίας!

Τα ψυκτικά μέσα και τα αέρια πρέπει να απορρίπτονται επαγγελματικά. Βεβαιωθείτε ότι η σωλήνωση του κυκλώματος ψυκτικού δεν έχει υποστεί ζημιά πριν απορριφθεί σωστά. Αποσυνδέστε τη συσκευή από την πρίζα παροχής ρεύματος. Κόψτε το καλώδιο τροφοδοσίας και απορρίψτε το. Αφαιρέστε τους δίσκους και τα συρτάρια, καθώς και τα αλιεύματα και τις σφραγίδες της πόρτας, για να αποτρέψετε τα παιδιά και τα κατοικίδια ζώα να κλείσουν στη συσκευή.

Διαβάστε τις παρακάτω υποδείξεις ασφαλείας πριν ενεργοποιήσετε τη συσκευή για πρώτη φορά:



ΠΡΟΕΙΔΟΠΟΙΗΣΗ!

Πριν από την πρώτη χρήση

- ▶ Βεβαιωθείτε ότι δεν υπάρχει ζημιά εξαιτίας της μεταφοράς.
- ▶ Αφαιρέστε όλες τις συσκευασίες και κρατήστε τις μακριά από τα παιδιά.
- ▶ Περιμένετε τουλάχιστον δύο ώρες πριν τοποθετήσετε τη συσκευή για να βεβαιωθείτε ότι το κύκλωμα του ψυκτικού είναι πλήρως αποτελεσματικό.
- ▶ Χειριστείτε τη συσκευή πάντοτε με δύο άτομα τουλάχιστον, διότι είναι βαριά.

Εγκατάσταση

- ▶ Η συσκευή πρέπει να τοποθετηθεί σε καλά αεριζόμενο μέρος. Βεβαιωθείτε ότι υπάρχει χώρος τουλάχιστον 10 εκατοστών πάνω και γύρω από τη συσκευή.
- ▶ Μην τοποθετείτε ποτέ τη συσκευή σε υγρή περιοχή ή θέση όπου μπορεί να πιτσιλιστεί ή βραχεί με νερό. Καθαρίστε και ξύστε τις ξεραμένες πιτσιλιές νερού και λεκέδες με ένα μαλακό καθαρό πανί.
- ▶ Μην εγκαθιστάτε τη συσκευή σε σημείο με άμεσο ηλιακό φως ή κοντά σε πηγές θερμότητας (π.χ. σόμπες, θερμαντήρες).
- ▶ Εγκαταστήστε και τοποθετήστε τη συσκευή σε μια περιοχή κατάλληλη για το μέγεθος και τη χρήση της.
- ▶ Διατηρείτε τα ανοίγματα εξαερισμού στη συσκευή ή την ενσωματωμένη δομή ελεύθερα εμποδίων.
- ▶ Βεβαιωθείτε ότι οι ηλεκτρολογικές πληροφορίες στην πινακίδα τύπου συμφωνούν με την αντίστοιχη παροχή ρεύματος. Εάν όχι, επικοινωνήστε με έναν ηλεκτρολόγο.
- ▶ Η συσκευή λειτουργεί με τροφοδοσία 220-240 VAC / 50 Hz. Η μη φυσιολογική διακύμανση της τάσης μπορεί να προκαλέσει την αποτυχία εκκίνησης της συσκευής ή ζημιά στον έλεγχο θερμοκρασίας ή τον συμπιεστή ή μπορεί να υπάρχει ανώμαλος θόρυβος κατά τη λειτουργία. Στην περίπτωση αυτή, πρέπει να τοποθετηθεί ένας αυτόματος ρυθμιστής.
- ▶ Μη χρησιμοποιείτε προσαρμογείς πολλαπλών θέσεων (πολύπριζα) και καλώδια επέκτασης / προέκτασης.
- ▶ Μην τοποθετείτε πολλαπλές φορητές πρίζες ή φορητά τροφοδοτικά στο πίσω μέρος της συσκευής.
- ▶ Βεβαιωθείτε ότι το καλώδιο τροφοδοσίας δεν έχει παγιδευτεί από το ψυγείο. Μην πατάτε το καλώδιο τροφοδοσίας.



ΠΡΟΕΙΔΟΠΟΙΗΣΗ!

- ▶ Χρησιμοποιήστε μια ξεχωριστή γειωμένη πρίζα για την παροχή ηλεκτρικού ρεύματος, η οποία να είναι εύκολα προσβάσιμη. Αυτή η συσκευή πρέπει να είναι γειωμένη. Μόνο για το Ηνωμένο Βασίλειο: Το καλώδιο τροφοδοσίας της συσκευής είναι εξοπλισμένο με βύσμα 3-καλωδίων (με γείωση) που ταιριάζει σε μια τυπική πρίζα 3-καλωδίων (πρίζα με γείωση). Ποτέ μην κόβετε ή αποσυναρμολογείτε τον τρίτο πείρο (γείωση). Μετά την εγκατάσταση της συσκευής, το βύσμα πρέπει να είναι άμεσα προσβάσιμο.
- ▶ Αποφύγετε την πρόκληση ζημιών στο κύκλωμα ψύξης.

Καθημερινή χρήση

- ▶ Η συσκευή αυτή μπορεί να χρησιμοποιηθεί από παιδιά ηλικίας 8 ετών και άνω και από άτομα με μειωμένες σωματικές, αισθητηριακές ή διανοητικές ικανότητες ή έλλειψη εμπειρίας και γνώσης, εφόσον βρίσκονται υπό εποπτεία ή εάν τους έχουν δοθεί σαφείς οδηγίες σχετικά με τη χρήση της συσκευής με ασφαλή τρόπο και έχουν κατανοήσει επακριβώς τους σχετικούς κινδύνους.
- ▶ Τα παιδιά ηλικίας 3 έως 8 ετών επιτρέπεται να τοποθετούν και να βγάζουν (αντικείμενα) από τις ψυκτικές συσκευές, αλλά δεν επιτρέπεται να τις καθαρίζουν ή να τις εγκαθιστούν.
- ▶ Κρατήστε μακριά τα παιδιά κάτω των 3 ετών από τη συσκευή, εκτός εάν επιβλέπονται συνεχώς.
- ▶ Τα παιδιά δεν επιτρέπεται να παίζουν με τη συσκευή.
- ▶ Εάν υπάρχει διαρροή ψυκτικού αερίου ή άλλου εύφλεκτου αερίου κοντά στη συσκευή, κλείστε τη βαλβίδα του αερίου που διαρρέει, ανοίξτε τις πόρτες και τα παράθυρα και μην αποσυνδέσετε ή συνδέσετε το καλώδιο τροφοδοσίας του ψυγείου ή οποιασδήποτε άλλης συσκευής.
- ▶ Σημειώστε ότι η συσκευή, για παράδειγμα CNCQ4T620EX, CNCQ4T620EW, CNCQ4T618EX, CNCQ4T618EW, CNCQ4T618EB, έχει ρυθμιστεί για λειτουργία σε συγκεκριμένο εύρος θερμοκρασίας περιβάλλοντος μεταξύ 10°C και 38°C. Η συσκευή ενδέχεται να μη λειτουργεί σωστά εάν αφηθεί για μεγάλο χρονικό διάστημα σε θερμοκρασία υψηλότερη ή χαμηλότερη από το υποδεικνυόμενο εύρος τιμών.
- ▶ Σημειώστε ότι η συσκευή, για παράδειγμα CNCQ4T620DX, CNCQ4T620DW, CNCQ4T620CX, έχει ρυθμιστεί για λειτουργία σε συγκεκριμένο εύρος θερμοκρασίας περιβάλλοντος μεταξύ 10°C και 43°C. Η συσκευή ενδέχεται να μη λειτουργεί σωστά εάν αφηθεί για μεγάλο χρονικό διάστημα σε θερμοκρασία υψηλότερη ή χαμηλότερη από το υποδεικνυόμενο εύρος τιμών.
- ▶ Μην τοποθετείτε ασταθή αντικείμενα (βαριά αντικείμενα, δοχεία γεμάτα με νερό) στο πάνω μέρος του ψυγείου, για να αποφύγετε τραυματισμούς από πτώση ή ηλεκτροπληξία από επαφή με νερό.
- ▶ Μην τραβάτε τα ράφια των θυρών της πόρτας. Η πόρτα μπορεί να βγει από τη θέση της, η σχάρα για τα μπουκάλια μπορεί να τραβηχτεί μακριά ή η συσκευή μπορεί να ανατραπεί.



ΠΡΟΕΙΔΟΠΟΙΗΣΗ!

- ▶ Μην αποθηκεύετε και μην χρησιμοποιείτε εύφλεκτα, εκρηκτικά ή διαβρωτικά υλικά εντός ή εγγύς της συσκευής.
- ▶ Μην αποθηκεύετε φάρμακα, βακτήρια ή χημικούς παράγοντες στη συσκευή. Αυτή η συσκευή είναι μια οικιακή συσκευή. Δεν συνιστάται η αποθήκευση υλικών που απαιτούν αυστηρές θερμοκρασίες.
- ▶ Ποτέ μην αποθηκεύετε υγρά σε φιάλες ή δοχεία (πέραν των αλκοολούχων υψηλού βαθμού) και ιδιαίτερα ανθρακούχα αναψυκτικά στον καταψύκτη καθώς θα διαρραγούν κατά την ψύξη.
- ▶ Ελέγξτε την κατάσταση των τροφίμων εάν έχουν προηγηθεί συνθήκες θέρμανσης στον καταψύκτη.
- ▶ Μην ορίσετε άσκοπα χαμηλή θερμοκρασία στον θάλαμο του ψυγείου. Οι αρνητικές θερμοκρασίες μπορεί να εμφανιστούν σε υψηλές ρυθμίσεις. Προσοχή: Τα μπουκάλια μπορούν να σκάσουν
- ▶ Μην αγγίζετε κατεψυγμένα προϊόντα με βρεγμένα χέρια (φοράτε γάντια). Ειδικά μην πιείτε (τρώτε) γρανίτες αμέσως μετά την αφαίρεση από τον θάλαμο κατάψυξης. Υπάρχει ο κίνδυνος κατάψυξης ή σχηματισμός φουσκάλων παγετού. ΠΡΩΤΕΣ βοήθειες: κρατήστε αμέσως κάτω από τρεχούμενο κρύο νερό. Μην τις τραβάτε μακριά!
- ▶ Μην αγγίζετε την εσωτερική επιφάνεια του χώρου αποθήκευσης του καταψύκτη όταν λειτουργείτε, ειδικά με βρεγμένα χέρια, καθώς τα χέρια σας μπορεί να παγώσουν στην επιφάνεια.
- ▶ Αποσυνδέστε τη συσκευή από την πρίζα σε περίπτωση διακοπής ρεύματος ή πριν από τον καθαρισμό. Αφήστε τουλάχιστον 7 λεπτά πριν από την επανεκκίνηση της συσκευής, καθώς η συχνή εκκίνηση μπορεί να προκαλέσει ζημιά στον συμπιεστή.
- ▶ Μην χρησιμοποιείτε ηλεκτρικές συσκευές στο εσωτερικό των θαλάμων αποθήκευσης τροφίμων της συσκευής, εκτός αν είναι συσκευές που συνιστά ο κατασκευαστής.
Συντήρηση / καθαρισμός
- ▶ Βεβαιωθείτε ότι τα παιδιά επιβλέπονται εάν πραγματοποιούν καθαρισμό και συντήρηση.
- ▶ Αποσυνδέστε τη συσκευή από την ηλεκτρική τροφοδοσία πριν πραγματοποιήσετε οποιαδήποτε συντήρηση ρουτίνας. Αφήστε τουλάχιστον 5 λεπτά πριν από την επανεκκίνηση της συσκευής, καθώς η συχνή εκκίνηση μπορεί να προκαλέσει ζημιά στον συμπιεστή.
- ▶ Κατά την τοποθέτηση της συσκευής διασφαλίστε ότι το καλώδιο τροφοδοσίας δεν έχει παγιδευτεί ή υποστεί ζημιά.
- ▶ Μην τοποθετείτε πολλαπλές φορητές πρίζες ή φορητά τροφοδοτικά στο πίσω μέρος της συσκευής.
- ▶ Μην χρησιμοποιείτε ηλεκτρικές συσκευές μέσα στα διαμερίσματα αποθήκευσης τροφίμων της συσκευής, εκτός εάν είναι του τύπου που συνιστά ο κατασκευαστής.
- ▶ Μην αποθηκεύετε εκρηκτικές ουσίες όπως δοχεία αερολύματος με εύφλεκτο περιεχόμενο σε αυτή τη συσκευή.

**ΠΡΟΕΙΔΟΠΟΙΗΣΗ!**

- ▶ Κρατήστε το φιλτράκι, όχι το καλώδιο, όταν αποσυνδέετε τη συσκευή.
- ▶ Μην καθαρίζετε τη συσκευή με σκληρές βούρτσες, συρμάτινες βούρτσες, σκόνη απορρυπαντικού, βενζίνη, οξικό αμύλιο, ακετόνη και παρόμοια οργανικά διαλύματα, όξινα ή αλκαλικά διαλύματα. Καθαρίστε με ειδικό απορρυπαντικό ψυγείου για να αποφύγετε ζημιές.
- ▶ Μην ξύσετε τον δροσοπάγο και τον πάγο με αιχμηρά αντικείμενα. Μην χρησιμοποιείτε σπρέι, ηλεκτρικούς θερμαντήρες όπως θερμαντήρα, στεγνωτήρα μαλλιών, ατμοκαθαριστές ή άλλες πηγές θερμότητας για να αποφύγετε ζημιές στα πλαστικά μέρη.
- ▶ Μην χρησιμοποιείτε μηχανικές συσκευές ή άλλα μέσα για να επιταχύνετε τη διαδικασία απόψυξης, παρά μόνο όσα συνιστώνται από τον κατασκευαστή.
- ▶ Αν το καλώδιο παροχής ρεύματος έχει φθαρεί πρέπει να αντικατασταθεί από τον κατασκευαστή ή τον αντιπρόσωπο του σέρβις ή παρόμοια εξουσιοδοτημένα πρόσωπα, προς αποφυγή του κινδύνου.
- ▶ Μην προσπαθήσετε να επισκευάσετε, να αποσυναρμολογήσετε ή να τροποποιήσετε τη συσκευή μόνοι σας. Σε περίπτωση επισκευής επικοινωνήστε με την εξυπηρέτηση πελατών μας.
- ▶ Εξαλείψτε τη σκόνη στο πίσω μέρος της μονάδας τουλάχιστον μία φορά το χρόνο για να αποφύγετε τον κίνδυνο από πυρκαγιά, καθώς και την αυξημένη κατανάλωση ενέργειας.
- ▶ Μην ψεκάζετε ή ξεπλένετε τη συσκευή κατά τον καθαρισμό.
- ▶ Μην χρησιμοποιείτε σπρέι νερού ή ατμό για να καθαρίσετε τη συσκευή.
- ▶ Μην καθαρίζετε τα κρύα γυάλινα ράφια με ζεστό νερό. Η απότομη αλλαγή θερμοκρασίας μπορεί να προκαλέσει το σπάσιμο του γυαλιού.

Πληροφορίες για τα ψυκτικά αέρια**ΠΡΟΕΙΔΟΠΟΙΗΣΗ!**

Η συσκευή περιέχει το εύφλεκτο ψυκτικό μέσο ΙΣΟΒΟΥΤΑΝΙΟ (R600a). Βεβαιωθείτε ότι το κύκλωμα ψυκτικού δεν έχει υποστεί ζημιά κατά τη μεταφορά ή την εγκατάσταση. Η διαρροή ψυκτικού μπορεί να προκαλέσει τραυματισμούς στα μάτια ή ανάφλεξη. Εάν έχει προκληθεί ζημιά, κρατήστε το μακριά από ακάλυπτες πηγές φωτιάς, αερίστε καλά το δωμάτιο, μην συνδέσετε ή αποσυνδέσετε τα καλώδια τροφοδοσίας της συσκευής ή οποιασδήποτε άλλης συσκευής. Ενημερώστε την εξυπηρέτηση πελατών.

Σε περίπτωση που τα μάτια έρθουν σε επαφή με το ψυκτικό μέσο, ξεπλένετε τα αμέσως κάτω από τρεχούμενο νερό και καλέστε αμέσως τον οφθαλμίατρο.

Αυτή η συσκευή προορίζεται για ψύξη και κατάψυξη τροφίμων. Έχει σχεδιαστεί αποκλειστικά για χρήση σε οικιακές και παρόμοιες εφαρμογές, όπως χώρους κουζίνας προσωπικού σε καταστήματα, γραφεία και άλλα εργασιακά περιβάλλοντα αγροικίες και από πελάτες σε ξενοδοχεία, μοτέλ και άλλα περιβάλλοντα οικιστικού τύπου, καθώς και σε ξενοδοχειακές επιχειρήσεις bed-and-breakfast και catering. Δεν προορίζεται για εμπορική ή βιομηχανική χρήση.

Δεν επιτρέπονται αλλαγές ή τροποποιήσεις στη συσκευή. Η μη προβλεπόμενη χρήση μπορεί να προκαλέσει κινδύνους και απώλεια αξιώσεων εγγύησης.

Πρότυπα και οδηγίες **CE**

Αυτό το προϊόν πληροί τις απαιτήσεις όλων των εφαρμοστέων οδηγιών της ΕΚ με τα αντίστοιχα εναρμονισμένα πρότυπα, τα οποία προβλέπονται για τη σήμανση CE.

ΔΙΑΔΙΚΑΣΙΑ ΑΝΤΙΣΤΟΙΧΙΣΗΣ ΣΤΗΝ ΕΦΑΡΜΟΓΗ

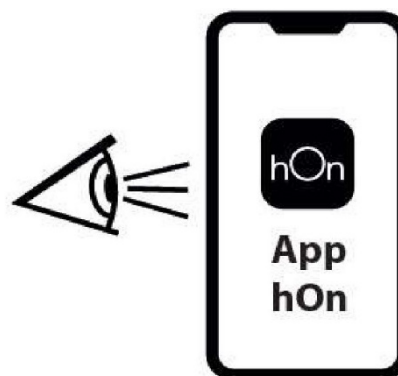
Βήμα 1 • Κατεβάστε την εφαρμογή hOn από τα stores



Βήμα 2 • Δημιουργήστε τον λογαριασμό σας στην εφαρμογή hOn ή συνδεθείτε εάν έχετε ήδη λογαριασμό



Βήμα 3 • Ακολουθήστε τις οδηγίες αντιστοίχισης στην εφαρμογή hOn



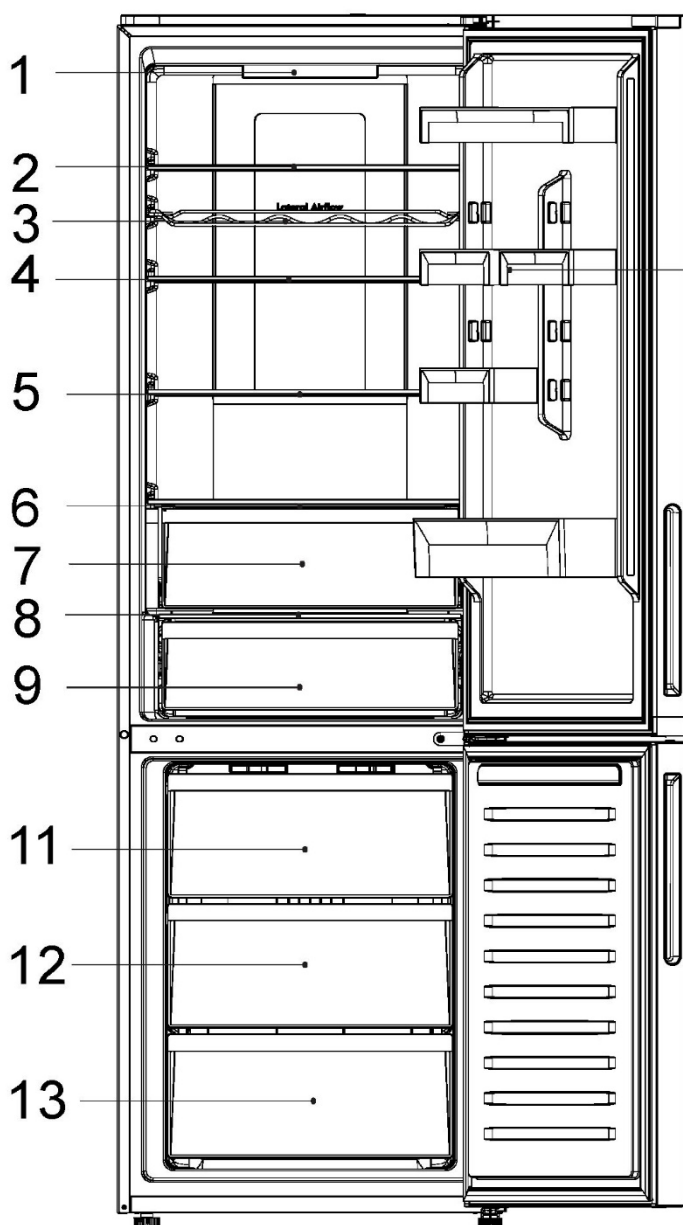
Ραδιοδομοστοιχείο - Τεχνικά δεδομένα

Συχνότητα λειτουργίας (OFR)	2400 MHz-2843,5 MHz
Συχνότητες καναλιών	2412...2472 MHz (μέγεθος βήματος 5 MHz)
Μέγιστη ισχύς (EIRP)	100 mW



ΕΙΔΟΠΟΪΗΣΗ

Λόγω τεχνικών αλλαγών και διαφορετικών μοντέλων, ορισμένες από τις εικόνες σε αυτό το εγχειρίδιο ενδέχεται να διαφέρουν από το μοντέλο σας.



CNCQ4T620EX
CNCQ4T620EB
CNCQ4T620DX
CNCQ4T620EW
CNCQ4T620DW
CNCQ4T620CX

10

A: Θάλαμος ψυγείου

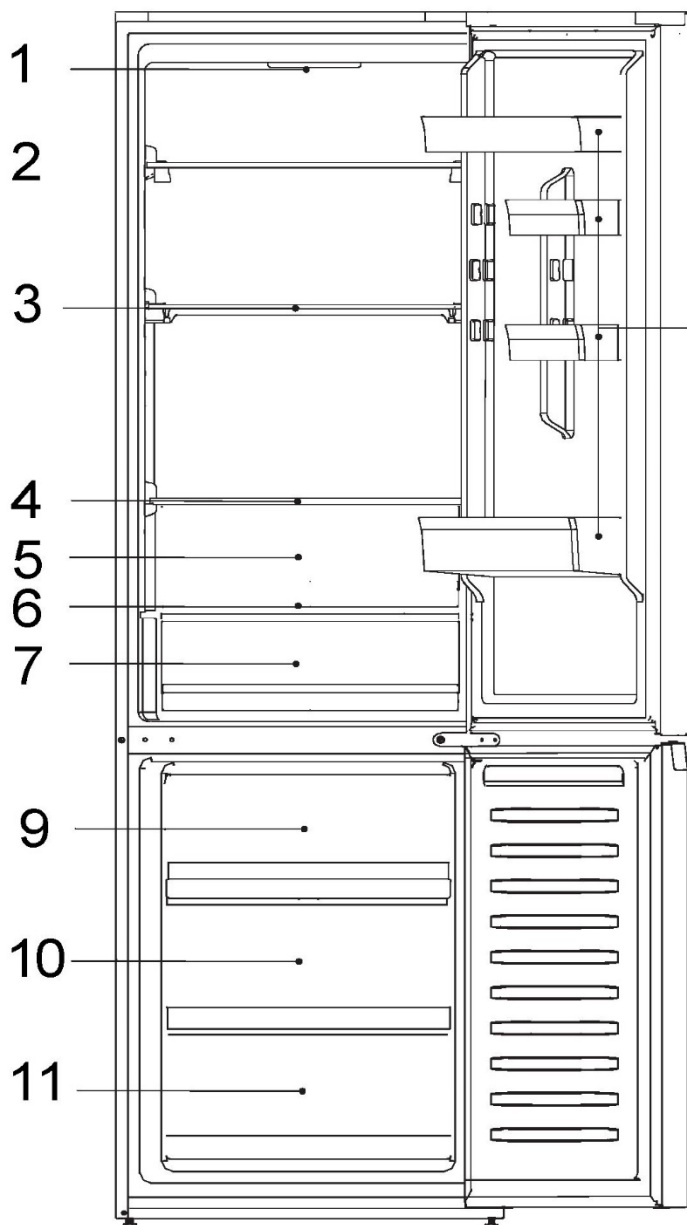
- 1- Πίνακας ελέγχου
- 2- Γυάλινο ράφι
- 3- Ράφι κρασιού
- 4- Γυάλινο ράφι
- 5- Γυάλινο ράφι
- 6- Κάλυμμα συρταριού
- 7- Συρτάρι περιοχής υγρασίας
- 8- Κάλυμμα συρταριού
- 9- Συρτάρι Fresh 0°C
- 10- Ράφια πόρτας ψυγείου

B: Θάλαμος καταψύκτη

- 11- Συρτάρι αποθήκευσης άνω καταψύκτη
- 12- Συρτάρι αποθήκευσης μεσαίου καταψύκτη
- 13- Συρτάρι αποθήκευσης κάτω καταψύκτη

i ΕΙΔΟΠΟΪΗΣΗ

Λόγω τεχνικών αλλαγών και διαφορετικών μοντέλων, ορισμένες από τις εικόνες σε αυτό το εγχειρίδιο ενδέχεται να διαφέρουν από το μοντέλο σας.



CNCQ4T618DW
CNCQ4T618CX
CNCQ4T618EX
CNCQ4T618EB
CNCQ4T618EW

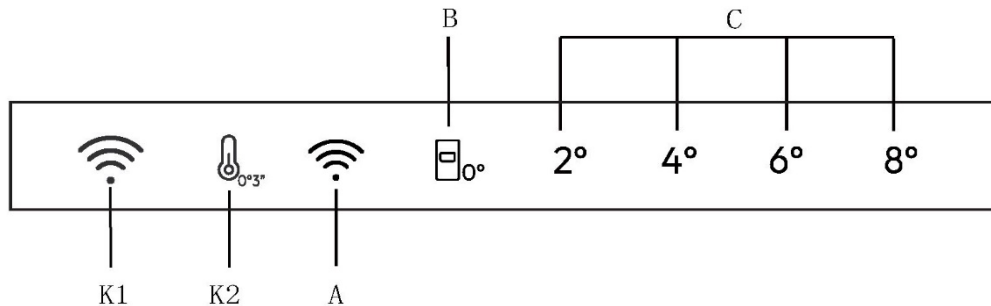
A: Θάλαμος ψυγείου

- 8**
- 1- Πίνακας ελέγχου
 - 2- Γυάλινο ράφι
 - 3- Γυάλινο ράφι
 - 4- Γυάλινο ράφι
 - 5- Συρτάρι Humidity Zone
 - 6- Κάλυμμα συρταριού
 - 7- Συρτάρι Fresh 0°C
 - 8- Ράφια πόρτας ψυγείου

B: Θάλαμος καταψύκτη

- 9- Συρτάρι αποθήκευσης άνω καταψύκτη
- 10- Συρτάρι αποθήκευσης μεσαίου καταψύκτη
- 11- Συρτάρι αποθήκευσης κάτω καταψύκτη

Πίνακας ελέγχου



Κουμπιά

- K1 Ενεργοποίηση/απενεργοποίηση λειτουργίας Wi-Fi.
- K2 Πλήκτρο ενεργοποίησης/απενεργοποίησης επιλογής θερμοκρασίας, χρησιμοποιείται για την ενεργοποίηση/απενεργοποίηση των ενδείξεων Fresh 0°C
- A Οθόνη Wi-Fi.

Ενδείξεις

- B Λειτουργία Fresh 0°C
- C Ένδειξη θερμοκρασίας ψυγείου

Πριν από την πρώτη χρήση

- ▶ Αφαιρέστε όλα τα υλικά συσκευασίας, κρατήστε τα μακριά από τα παιδιά και απορρίψτε τα με φιλικό προς το περιβάλλον τρόπο.
- ▶ Καθαρίστε τη συσκευή μέσα και έξω, καθώς και το εσωτερικό και τα παρελκόμενα, με νερό και ήπιο απορρυπαντικό και στεγνώστε τη καλά με μαλακό πανί.
- ▶ Αφού η συσκευή τοποθετηθεί απολύτως οριζοντιωμένη και καθαριστεί, περιμένετε τουλάχιστον 2 ώρες πριν τη συνδέσετε στην παροχή ηλεκτρικής ισχύος. Ανατρέξτε στην ενότητα ΕΓΚΑΤΑΣΤΑΣΗ.
- ▶ Προψύξτε τους θαλάμους σε υψηλές ρυθμίσεις πριν τοποθετήσετε τρόφιμα.

Μηχανικά κουμπιά

Τα κουμπιά στον πίνακα ελέγχου είναι μηχανικά κουμπιά.

Ενεργοποίηση /απενεργοποίηση της συσκευής

Η συσκευή λειτουργεί μόλις συνδεθεί με την παροχή ρεύματος.

Κατά την πρώτη θέση σε λειτουργία του ψυγείου, ανάβει η ένδειξη "4°" του "B" (ένδειξη θερμοκρασίας ψυγείου) και η ένδειξη "0°" του συρταριού αποθήκευσης 0°C.

Η θερμοκρασία ψυγείου και η θερμοκρασία καταψύκτη ρυθμίζονται αυτόματα στους 4°C και -20°C αντίστοιχα, το συρτάρι αποθήκευσης 0°C τίθεται σε λειτουργία.



ΕΙΔΟΠΟΪΗΣΗ

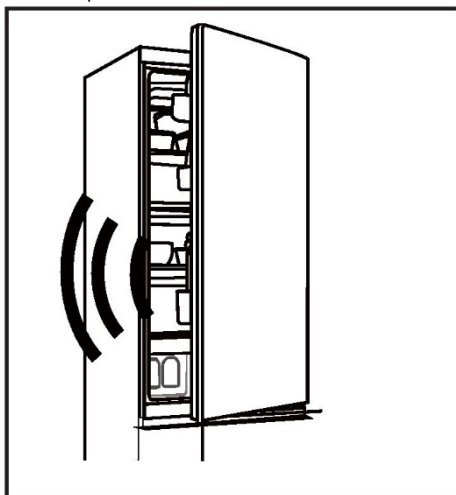
Η συσκευή είναι προρυθμισμένη στη συνιστώμενη θερμοκρασία των 4°C.

Αυτές είναι οι συνιστώμενες ρυθμίσεις. Εάν θέλετε, μπορείτε να αλλάξετε αυτές τις θερμοκρασίες χειροκίνητα.

Συναγερμός ανοίγματος πόρτας

Όταν η πόρτα του ψυγείου είναι ανοικτή για περισσότερο από 3 λεπτά, θα ηχήσει ο συναγερμός ανοίγματος της πόρτας.

Ο συναγερμός μπορεί να αποσιωπηθεί κλείνοντας την πόρτα. Εάν η πόρτα είναι ανοικτή για περισσότερο από 7 λεπτά, το φως μέσα στο ψυγείο και ο φωτισμός του πίνακα ελέγχου θα σβήσουν αυτόματα.



Υπό/εκτός τροφοδοσίας

Όταν η συσκευή βρίσκεται σε κατάσταση τροφοδοσίας, πατήστε το κουμπί K1 για 3 δευτερόλεπτα, η συσκευή εισέρχεται σε κατάσταση αναμονής, ο συμπιεστής σταματά να λειτουργεί και το φως σβήνει. Όταν η συσκευή βρίσκεται σε κατάσταση αναμονής, πατήστε το κουμπί K1 για 3 δευτερόλεπτα, η συσκευή τίθεται σε λειτουργία, ο συμπιεστής θα λειτουργεί και το φως θα είναι αναμμένο.

Ρύθμιση θερμοκρασίας


Οι εσωτερικές θερμοκρασίες επηρεάζονται από τους ακόλουθους παράγοντες:
Θερμοκρασία περιβάλλοντος

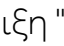
Συχνότητα ανοίγματος πόρτας
Ποσότητα αποθηκευμένων τροφίμων
Εγκατάσταση της συσκευής

Ρύθμιση της θερμοκρασίας του θαλάμου ψυγείου/καταψύκτη

1. Πατήστε το πλήκτρο "K2" (Επιλογή θερμοκρασίας ψυγείου) για να επιλέξετε τη θερμοκρασία ψυγείου.
2. Η ένδειξη "B" (ένδειξη θερμοκρασίας ψυγείου) θα ανάβει εναλλάξ όπως παρακάτω.
 $2^{\circ} \rightarrow 4^{\circ} \rightarrow 6^{\circ} \rightarrow 8^{\circ}$
3. Όταν επιλέγετε τη θερμοκρασία ψυγείου από τον πίνακα ελέγχου, η αντίστοιχη θερμοκρασία για τον Καταψύκτη είναι $2^{\circ} (-22^{\circ}) \rightarrow 4^{\circ} (-20^{\circ}) \rightarrow 6^{\circ} (-18^{\circ}) \rightarrow 8^{\circ} (-16^{\circ})$.

Λειτουργία Fresh 0°C

Για να εισέλθετε στη λειτουργία "0°", με την πόρτα του ψυγείου ανοιχτή, πιέστε K2 για 3 δευτερόλεπτα με ένα ηχητικό σήμα, η ένδειξη "  " ανάβει, η θερμοκρασία του Fresh 0°C θα βρίσκεται κοντά στους 0°C.

Για να εξέλθετε από τη λειτουργία "0°", με την πόρτα του ψυγείου ανοιχτή, πατήστε K2 για 3 δευτερόλεπτα με ένα ηχητικό σήμα, η ένδειξη "  " σβήνει". Η θερμοκρασία του συρταριού "0°" θα αλλάξει με τη θερμοκρασία του ψυγείου.

Ρύθμιση της «ταχύτητας»

Αφού συνδεθεί επιτυχώς το Wi-Fi του ψυγείου, μπορείτε να ρυθμίσετε την «ταχύτητα» μέσω της εφαρμογής, μετά τη ρύθμιση, οι ενδείξεις C στην οθόνη θα σβήσουν. Το φως της πόρτας αναβοσβήνει μία φορά για κάθε επιτυχή ρύθμιση της «ταχύτητας».

Το ρυθμιζόμενο εύρος θερμοκρασίας του ψυγείου είναι 2°, 3°, 4°, 5°, 6°, 7°, 8°.

Το ρυθμιζόμενο εύρος θερμοκρασίας του καταψύκτη είναι -24°, -23°, -22°, -21°, -20°, -19°, -18°, -17°, -16°. Η λειτουργία Fresh 0°C μπορεί να ανοίξει ή να κλείσει.

Λειτουργία Super Freeze

1. Τα νωπά τρόφιμα πρέπει να καταψύχονται όσο το δυνατόν γρηγορότερα στο εσωτερικό τους. Έτσι μπορεί να διαφυλάσσεται η καλύτερη διατροφική αξία, η εμφάνιση και η γεύση. Η λειτουργία Super Freeze επιταχύνει την κατάψυξη των νωπών τροφίμων και προστατεύει τα τρόφιμα που έχουν ήδη αποθηκευτεί από ανεπιθύμητη θέρμανση. Εάν πρέπει να καταψύξετε μια μεγάλη ποσότητα τροφίμων άμεσα, συνιστάται να ρυθμίσετε τη λειτουργία Super Freeze 24 ώρες νωρίτερα από τη χρήση του χώρου κατάψυξης.

2. Μπορείτε να εισέλθετε στη λειτουργία Super Freeze μέσω της εφαρμογής και εκείνη τη στιγμή το εικονίδιο C του πίνακα ενδείξεων σβήνει



ΕΙΔΟΠΟΪΗΣΗ

1. Η συσκευή τερματίζει τη λειτουργία Super Freeze 50 ώρες μετά την καταχώρηση της λειτουργίας Super Freeze ή πιέζοντας "K2" ή τη θέτει εκτός λειτουργίας από την εφαρμογή.
2. Στην κατάσταση Super Freeze, δεν μπορείτε να ρυθμίσετε τη θερμοκρασία του θαλάμου κατάψυξης.

Λειτουργία Super Cool

1. Προτείνεται να ενεργοποιήσετε τη λειτουργία Super Cool εάν πρέπει να αποθηκευτεί μεγαλύτερη ποσότητα τροφίμων (για παράδειγμα μετά τα ψώνια). Η λειτουργία Super Cool επιταχύνει την ψύξη των φρέσκων τροφίμων και προστατεύει τα τρόφιμα που έχουν ήδη αποθηκευτεί από ανεπιθύμητη θέρμανση.
2. Μπορείτε να εισέλθετε στη λειτουργία Super Cool μέσω της εφαρμογής και εκείνη τη στιγμή το εικονίδιο C του πίνακα ενδείξεων σβήνει.



ΕΙΔΟΠΟΪΗΣΗ

1. Η συσκευή τερματίζει τη "λειτουργία Super Cool" 6 ώρες μετά την καταχώρηση του "λειτουργία Super Cool" ή πιέζοντας "K2" ή τη θέτει εκτός λειτουργίας από την εφαρμογή.
2. Στην κατάσταση Super Cool, δεν μπορείτε να ρυθμίσετε τη θερμοκρασία του θαλάμου ψύξης

Λειτουργία Holiday

Η λειτουργία Holiday μπορεί να χρησιμοποιηθεί για τη μείωση της κατανάλωσης ενέργειας της συσκευής, όταν δεν χρησιμοποιείται τακτικά. Όταν η λειτουργία είναι ενεργοποιημένη, το ψυγείο είναι σβηστό, ενώ ο καταψύκτης θα συνεχίσει να λειτουργεί κανονικά. Η λειτουργία ρυθμίζει τη θερμοκρασία του ψυγείου μόνιμα στους 17°C.

Μπορείτε να εισέλθετε στη λειτουργία Holiday μέσω της εφαρμογής και εκείνη τη στιγμή το εικονίδιο C του πίνακα ενδείξεων σβήνει.



ΕΙΔΟΠΟΪΗΣΗ

Η λειτουργία μπορεί να απενεργοποιηθεί ρυθμίζοντας τη θερμοκρασία του ψυγείου, ή πραγματοποιώντας οποιαδήποτε άλλη ρύθμιση, ή απενεργοποιώντας την από την εφαρμογή.

Όταν η λειτουργία Holiday είναι ενεργοποιημένη, το φως του ψυγείου είναι σβηστό.

Λειτουργία διασύνδεσης Wi-Fi

Σε κατάσταση ανοικτής πόρτας ψυγείου, πατήστε παρατεταμένα το πλήκτρο K1 για 3", το ψυγείο θα κάνει ένα μπιπ, το εικονίδιο A αναβοσβήνει γρήγορα και το Wi-Fi εισέρχεται στην κατάσταση διαμόρφωσης.

Συναγερμός ανοικτής πόρτας και συμβουλές για προβλήματα

Αν η πόρτα του ψυγείου ανοίξει έως και 3 λεπτά χωρίς να κλείσει, το ψυγείο θα εκπέμψει έναν ήχο μπιπ-μπιπ-μπιπ-μπιπ, ενώ ταυτόχρονα θα αναβοσβήνει η ενδεικτική λυχνία της πόρτας. Αν ο χρόνος ανοίγματος της πόρτας φτάσει τα 13 λεπτά και η πόρτα του ψυγείου δεν έχει κλείσει, το ψυγείο δεν θα εκπέμψει πλέον κανένα μπιπ, ενώ η ενδεικτική λυχνία της πόρτας εξακολουθεί να αναβοσβήνει. Εάν η πόρτα του ψυγειοκαταψύκτη είναι κλειστή και το ψυγείο εξακολουθεί να εκπέμπει ένα μπιπ-μπιπ-μπιπ ή η ενδεικτική λυχνία της πόρτας συνεχίζει να αναβοσβήνει, τότε τα εξαρτήματα του ψυγείου μπορεί να έχουν παρουσιάσει βλάβη. Επικοινωνήστε με το προσωπικό εξυπηρέτησης μετά την πώληση το συντομότερο δυνατό. Μνήμη διακοπής ρεύματος

Όταν το ψυγείο είναι εκτός τροφοδοσίας, η στιγμιαία κατάσταση λειτουργίας της διακοπής ρεύματος απομνημονεύεται και όταν το ρεύμα επιστρέφει ξανά, το ψυγείο εξακολουθεί να λειτουργεί σύμφωνα με την καθορισμένη ταχύτητα και την κατάσταση λειτουργίας πριν από τη διακοπή ρεύματος.

Συμβουλές για την αποθήκευση νωπών τροφίμων

Αποθήκευση στον θάλαμο ψυγείου

Διατηρήστε τη θερμοκρασία του ψυγείου σας κάτω από 5° C.

Το ζεστό φαγητό πρέπει να ψύχεται σε θερμοκρασία δωματίου πριν από την αποθήκευση στη συσκευή.

Τα τρόφιμα που αποθηκεύονται στο ψυγείο πρέπει να πλένονται και να στεγνώνουν πριν από την αποθήκευση.

Τα τρόφιμα προς αποθήκευση θα πρέπει να σφραγίζονται σωστά για να αποφευχθούν δυσοσμίες ή αλλοιώσεις γεύσης.

Μην αποθηκεύετε υπερβολικές ποσότητες τροφίμων. Αφήστε κενά μεταξύ των τροφίμων για να επιτρέψετε στον κρύο αέρα να ρέει γύρω τους, για καλύτερη και πιο ομοιογενή ψύξη.

Τα τρόφιμα που τρώγονται καθημερινά πρέπει να αποθηκεύονται στο μπροστινό μέρος του ραφιού.

Αφήστε ένα κενό μεταξύ τροφίμων και εσωτερικών τοιχωμάτων, επιτρέποντας τη ροή του αέρα. Για κανέναν λόγο μην αποθηκεύετε τρόφιμα σε επαφή με το πίσω τοίχωμα: τα τρόφιμα θα μπορούσαν να παγώσουν σε επαφή με το πίσω τοίχωμα. Αποφύγετε την άμεση επαφή των τροφίμων (ιδιαίτερα των ελαιωδών ή όξινων τροφίμων) με την εσωτερική επένδυση, καθώς το λάδι/οξύ μπορεί να διαβρώσει την εσωτερική επένδυση. Καθαρίστε τη λιπαρή/όξινη βρωμιά όποτε βρεθεί.

Τα κατεψυγμένα τρόφιμα μπορούν να αποψυχθούν προσεκτικά στον θάλαμο ψυγείου. Κάτι που εξοικονομεί ενέργεια.

Η διαδικασία ωρίμασης φρούτων και λαχανικών όπως κολοκυθάκια, πεπόνια, παπάγια, μπανάνες, ανανάδες, κ.λπ., μπορεί να επιταχυνθεί στο ψυγείο. Ως εκ τούτου, δεν συνιστάται η αποθήκευσή τους στο ψυγείο. Ωστόσο, η ωρίμανση (γήρανση) των φρούτων που έχουν έντονη τάση ωρίμανσης μπορεί να επιταχυνθεί για μια συγκεκριμένη περίοδο. Τα κρεμμύδια, το σκόρδο, το τζίντζερ και άλλα λαχανικά που διαθέτουν ρίζες θα πρέπει επίσης να αποθηκεύονται σε θερμοκρασία δωματίου.

Οι δυσάρεστες οσμές μέσα στο ψυγείο είναι ένα σημάδι ότι κάτι έχει χυθεί και απαιτείται καθαρισμός. Δείτε «Φροντίδα και καθαρισμός».

Διαφορετικά τρόφιμα πρέπει να τοποθετούνται σε διαφορετικές περιοχές ανάλογα με τις ιδιότητές τους.

Αποθήκευση στον θάλαμο καταψύκτη

- Διατηρήστε τη θερμοκρασία καταψύκτη στους -18° C.
- Το ζεστό φαγητό πρέπει να ψύχεται σε θερμοκρασία δωματίου πριν από την αποθήκευση στον θάλαμο καταψύκτη.
- Τα τρόφιμα που κόβονται σε μικρές μερίδες θα παγώσουν γρηγορότερα και θα είναι πιο εύκολο να ξεπαγώσουν και να μαγειρευτούν. Το συνιστώμενο βάρος για κάθε μερίδα είναι μικρότερο από 2,5 κιλά

- Είναι καλύτερα να συσκευάσετε το φαγητό πριν το βάλετε στον καταψύκτη. Το εξωτερικό της συσκευασίας πρέπει να είναι στεγνό για να αποφεύγονται οι σακούλες που κολλάνε μεταξύ τους. Τα υλικά συσκευασίας πρέπει να είναι χωρίς οσμές, αεροστεγή, μη δηλητηριώδη και μη τοξικά.
- Για να αποφύγετε τη λήξη των περιόδων αποθήκευσης, παρακαλείστε να σημειώσετε την ημερομηνία κατάψυξης, την προθεσμία και το όνομα του τροφικού στη συσκευασία ανάλογα με τις περιόδους αποθήκευσης διαφορετικών τροφίμων.



ΠΡΟΕΙΔΟΠΟΙΗΣΗ!

Οξύ, αλκάλια και αλάτι κ.λπ.θα μπορούσαν να διαβρώσουν την εσωτερική επιφάνεια του καταψύκτη.

- Μην τοποθετείτε τρόφιμα με αυτές τις ουσίες (π.χ. ψάρια θαλασσινού νερού) απευθείας στην εσωτερική επιφάνεια. Το αλμυρό νερό στην κατάψυξη πρέπει να καθαριστεί αμέσως.
- Μην υπερβαίνετε το χρόνο αποθήκευσης τροφίμων που προτείνουν οι κατασκευαστές. Βγάλτε μόνο την απαιτούμενη ποσότητα τροφής από την κατάψυξη.
- Καταναλώστε τα αποψυγμένα τρόφιμα γρήγορα. Τα αποψυγμένα τρόφιμα δεν μπορούν να καταψυχθούν εκ νέου εκτός εάν πρώτα μαγειρευτούν, διαφορετικά μπορεί να γίνουν λιγότερο βρώσιμα.
- Μην τοποθετείτε υπερβολικές ποσότητες νωπών τροφίμων στον θάλαμο κατάψυξης. Ανατρέξτε στην ικανότητα κατάψυξης του καταψύκτη - Δείτε στο ΤΕΧΝΙΚΑ ΔΕΔΟΜΕΝΑ ή δεδομένα στην πινακίδα τύπου.
- Τα τρόφιμα μπορούν να αποθηκευτούν στον καταψύκτη σε θερμοκρασία τουλάχιστον -18°C για 2 έως 12 μήνες, ανάλογα με τις ιδιότητές του (π.χ. κρέας: 3-12 μήνες, λαχανικά: 6-12 μήνες).
- Κατά την κατάψυξη νωπών τροφίμων, αποφύγετε να τα φέρετε σε επαφή με ήδη κατεψυγμένα τρόφιμα. Κίνδυνος ή απόψυξη!

Κατά την αποθήκευση εμπορικά κατεψυγμένων τροφίμων, ακολουθήστε αυτές τις οδηγίες:

- Να ακολουθείτε πάντα τις οδηγίες των κατασκευαστών για το χρονικό διάστημα για το οποίο πρέπει να αποθηκεύετε τρόφιμα. Μην υπερβαίνουμε αυτές τις οδηγίες!
- Προσπαθήστε να διατηρήσετε το χρονικό διάστημα μεταξύ αγοράς και αποθήκευσης όσο το δυνατόν συντομότερο για να διατηρήσετε την ποιότητα των τροφίμων.
- Αγοράστε κατεψυγμένα τρόφιμα, τα οποία έχουν αποθηκευτεί σε θερμοκρασία -18°C ή χαμηλότερη.
- Αποφύγετε να αγοράζετε τρόφιμα που έχουν πάγο ή δροσοπάγο πάνω στη συσκευασία - Αυτό υποδηλώνει ότι τα προϊόντα μπορεί να έχουν αποψυχθεί μερικώς και να έχουν καταψυχθεί ξανά κάποια στιγμή - οι αυξήσεις της θερμοκρασίας επηρεάζουν την ποιότητα των τροφίμων.

Ρύθμιση λειτουργίας Wi-Fi

ΔΙΑΔΙΚΑΣΙΑ ΑΝΤΙΣΤΟΙΧΙΣΗΣ ΣΤΗΝ ΕΦΑΡΜΟΓΗ

Βήμα 1 • Κατεβάστε την εφαρμογή hOn από τα stores



Βήμα 2 • Δημιουργήστε τον λογαριασμό σας στην εφαρμογή hOn ή συνδεθείτε εάν έχετε ήδη λογαριασμό



Βήμα 3 • Ακολουθήστε τις οδηγίες αντιστοίχισης στην εφαρμογή hOn

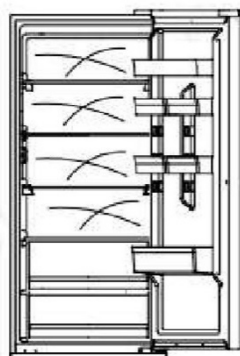


Ραδιοδομοστοιχείο - Τεχνικά δεδομένα

Συχνότητα λειτουργίας (OFR)	2400 MHz-2843,5 MHz
Συχνότητες καναλιών	2412...2472 MHz (μέγεθος βήματος 5 MHz)
Μέγιστη ισχύς (EIRP)	100 mW

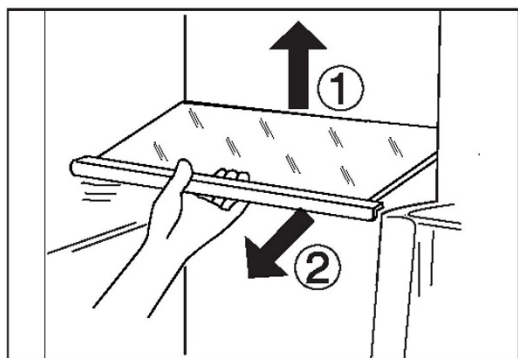
i ΕΙΔΟΠΟΪΗΣΗ

Λόγω διαφορετικών μοντέλων, το προϊόν σας ενδέχεται να μην έχει όλα τα ακόλουθα χαρακτηριστικά. Ανατρέξτε στο κεφάλαιο Περιγραφή προϊόντος.



Πολλαπλή ροή αέρα

Το ψυγείο είναι εξοπλισμένο με σύστημα πολλαπλών ροών αέρα, το οποίο παρέχει ροή κρύου αέρα σε κάθε επίπεδο στα ράφια. Αυτό βοηθά στη διατήρηση μιας ομοιόμορφης θερμοκρασίας για να διασφαλιστεί ότι τα τρόφιμά σας διατηρούνται πιο φρέσκα για μεγαλύτερο χρονικό διάστημα.

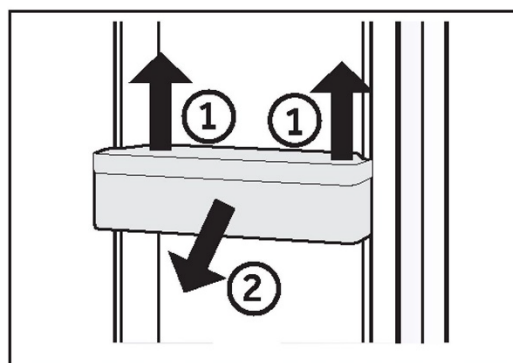


Ρυθμιζόμενα ράφια

1. Το ύψος των ραφιών μπορεί να ρυθμιστεί ώστε να ταιριάζει στις ανάγκες αποθήκευσης.
2. Για να μετακινήσετε ένα ράφι, αφαιρέστε το πρώτα ανυψώνοντας την οπίσθια άκρη του ① και τραβώντας το έξω ②.
3. Για να το επανατοποθετήσετε, τοποθετήστε το στις υποδοχές και στις δύο πλευρές και σπρώξτε το στην πίσω θέση μέχρι το πίσω μέρος του ραφιού να στερεωθεί στις πλαϊνές σχισμές

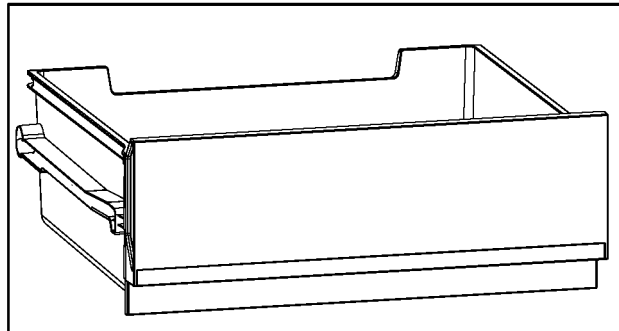
Αφαιρούμενες σχάρες πόρτας/αφαιρούμενη μπουκαλοθήκη

1. Τα ράφια των πορτών μπορούν να αφαιρεθούν για καθαρισμό:
2. Τοποθετήστε τα χέρια σε κάθε πλευρά της σχάρας, σηκώστε την προς τα πάνω ① και τραβήξτε την προς τα έξω ②.
3. Για την εισαγωγή της σχάρας της πόρτας, τα παραπάνω βήματα πραγματοποιούνται με αντίστροφη σειρά.



Συρτάρι αποθήκευσης ψυγείου

Για τη χρήση και τη ρύθμιση του θαλάμου αποθήκευσης ψυγείου, ανατρέξτε στην ενότητα «ΧΡΗΣΗ».



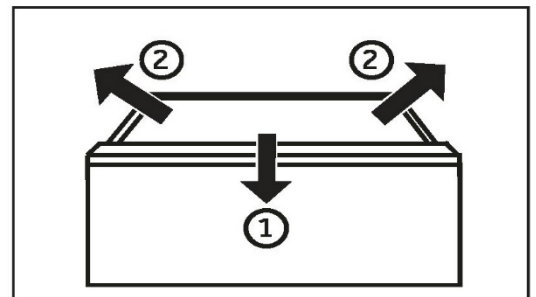
Συρτάρι καταψύκτη

Το συρτάρι του καταψύκτη μπορεί να επεκταθεί ευθεία και πλήρως. Τοποθετούνται σε τηλεσκοπική ράγα easy roll. Για να μπορείτε να αποθηκεύετε και να αφαιρείτε άνετα το κατεψυγμένο προϊόν. Λόγω του μηχανισμού αυτόματου κλεισίματος της πόρτας, ο χειρισμός είναι εύκολος και μπορείτε να εξοικονομήσετε ενέργεια.

Αφαιρούμενο συρτάρι

Για να αφαιρέσετε το συρτάρι προς τα έξω, τραβήξτε προς τα έξω στο μέγιστο βαθμό ①, σηκώστε και αφαιρέστε ②.

Για την τοποθέτηση του συρταριού, τα παραπάνω βήματα γίνονται με αντίστροφη σειρά.



ΠΡΟΕΙΔΟΠΟΙΗΣΗ!

Μην υπερφορτώνετε τα συρτάρια: Μέγιστο φορτίο κάθε συρταριού: 35kg!

Το φως

Το εσωτερικό φως LED ανάβει όταν ανοίγει η πόρτα. Η απόδοση των φώτων δεν επηρεάζεται από καμία από τις άλλες ρυθμίσεις της συσκευής.



Συμβουλές εξοικονόμησης ενέργειας

- ▶ Βεβαιωθείτε ότι η συσκευή αερίζεται σωστά (δείτε ΕΓΚΑΤΑΣΤΑΣΗ).
- ▶ Μην εγκαθιστάτε τη συσκευή σε σημείο με άμεσο ηλιακό φως ή κοντά σε πηγές θερμότητας (π.χ. σόμπες, θερμαντήρες).
- ▶ Αποφύγετε την άσκοπα χαμηλή θερμοκρασία στη συσκευή. Η κατανάλωση ενέργειας αυξάνεται όσο χαμηλότερη είναι η θερμοκρασία στη συσκευή.
- ▶ Αφήστε το ζεστό φαγητό να κρυώσει πριν το τοποθετήσετε μέσα στη συσκευή.
- ▶ Να ανοίγετε την πόρτα της συσκευής όσο το δυνατόν λιγότερο και για όσο πιο σύντομα γίνεται.
- ▶ Μην γεμίζετε και φορτώνετε υπερβολικά τη συσκευή για να αποφύγετε τη φραγή του αέρα χαμηλά.
- ▶ Αποφύγετε το να υπάρχει αέρας μέσα στη συσκευασία των τροφίμων.
- ▶ Διατηρείτε καθαρά τα στεγανοποιητικά της πόρτας ούτως ώστε η πόρτα να κλείνει πάντοτε σωστά.
- ▶ Οι περισσότερες ρυθμίσεις εξοικονόμησης ενέργειας απαιτούν το συρτάρι, το δοχείο τροφίμων και τα ράφια να τοποθετούνται στη συσκευή με την εργοστασιακή τους κατάσταση ψύξης και τα τρόφιμα πρέπει να τοποθετηθούν έτσι ώστε να μην εμποδίζεται η έξοδος αέρα του αγωγού.



ΠΡΟΕΙΔΟΠΟΙΗΣΗ!

Αποσυνδέστε τη συσκευή από την τροφοδοσία πριν από τον καθαρισμό.

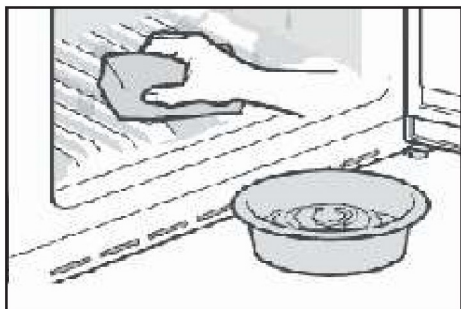
Καθαρισμός

Καθαρίστε τη συσκευή μόνο όταν υπάρχουν αποθηκευμένα λίγα ή καθόλου τρόφιμα. Η συσκευή πρέπει να καθαρίζεται κάθε τέσσερις εβδομάδες για καλή συντήρηση και για την αποφυγή αποθηκευμένων τροφίμων με δυσάρεστες οσμές.



ΠΡΟΕΙΔΟΠΟΙΗΣΗ!

- ▶ Μην καθαρίζετε τη συσκευή με σκληρές βούρτσες, συρμάτινες βούρτσες, σκόνη απορρυπαντικού, βενζίνη, οξικό αμύλιο, ακετόνη και παρόμοια οργανικά διαλύματα, όξινα ή αλκαλικά διαλύματα. Καθαρίστε με ειδικό απορρυπαντικό ψυγείου για να αποφύγετε ζημιές.
- ▶ Μην ψεκάζετε ή ξεπλένετε τη συσκευή κατά τον καθαρισμό.
- ▶ Μην χρησιμοποιείτε σπρέι νερού ή ατμό για να καθαρίσετε τη συσκευή.
- ▶ Μην καθαρίζετε τα κρύα γυάλινα ράφια με ζεστό νερό. Η απότομη αλλαγή θερμοκρασίας μπορεί να προκαλέσει το σπάσιμο του γυαλιού.
- ▶ Μην αγγίζετε την εσωτερική επιφάνεια του χώρου αποθήκευσης του καταψύκτη, ειδικά με βρεγμένα χέρια, καθώς τα χέρια σας μπορεί να παγώσουν στην επιφάνεια.



- ▶ Πάντα να διατηρείτε την πόρτα καθαρή.
- ▶ Καθαρίστε το εσωτερικό και το περίβλημα της συσκευής με ένα σφουγγάρι βρεγμένο σε ζεστό νερό και ουδέτερο απορρυπαντικό.
- ▶ Παρακαλώ τρίψτε το εσωτερικό και το εξωτερικό του ψυγείου, συμπεριλαμβανομένης της σφράγισης των θυρών, της σχάρας της πόρτας, των γυάλινων ραφιών, των κιβωτίων και ούτω καθεξής, με μια μαλακή πετσέτα ή σφουγγάρι βουτηγμένο σε ζεστό νερό (μπορείτε να προσθέσετε ουδέτερο απορρυπαντικό στο ζεστό νερό).
- ▶ Εάν χυθεί υγρό, αφαιρέστε όλα τα μολυσμένα μέρη, ξεπλύνετε απευθείας με το νερό ροής, στεγνώστε και τοποθετήστε το πίσω στο ψυγείο.
- ▶ Εάν υπάρχει χυμένη κρέμα (όπως η κρέμα γάλακτος, το παγωτό που λιώνει), αφαιρέστε όλα τα μολυσμένα μέρη, βάλτε στο ζεστό νερό με περίπου 40 °C για κάποιο χρονικό διάστημα, στη συνέχεια ξεπλύνετε με το νερό ροής, στεγνώστε και τοποθετήστε το ξανά στο ψυγείο.
- ▶ Σε περίπτωση που κάποιο μικρό μέρος ή εξάρτημα κολλήσει μέσα στο ψυγείο (ανάμεσα σε ράφια ή συρτάρια), χρησιμοποιήστε μια μικρή μαλακή βούρτσα για να το απελευθερώσετε. Εάν δεν μπορείτε να φτάσετε το εξάρτημα, επικοινωνήστε με την υπηρεσία Haier
- ▶ Ξεπλύνετε και στεγνώστε με μαλακό πανί.
- ▶ Μην καθαρίζετε κανένα από τα μέρη της συσκευής σε πλυντήριο πιάτων.
- ▶ Αφήστε να περάσουν τουλάχιστον 7 λεπτά πριν θέσετε ξανά σε λειτουργία τη συσκευή, καθώς η συχνή ενεργοποίηση μπορεί να προκαλέσει ζημιά στον συμπιεστή.

Απόψυξη

Η απόψυξη των θαλάμων του ψυγείου και της κατάψυξης γίνεται αυτόματα, δεν απαιτείται χειροκίνητη λειτουργία.

Αντικατάσταση των λυχνιών LED



ΠΡΟΕΙΔΟΠΟΙΗΣΗ!

Μην αντικαθιστάτε μόνοι σας τη λυχνία LED, πρέπει να αντικατασταθεί μόνο από τον κατασκευαστή ή από τον εξουσιοδοτημένο αντιπρόσωπο σέρβις.

Ο λαμπτήρας υιοθετεί το LED ως πηγή φωτός του, που χαρακτηρίζεται για τη χαμηλή κατανάλωση ενέργειας και τη μακριά διάρκεια ζωής. Εάν υπάρχει κάποια ανωμαλία, επικοινωνήστε με την εξυπηρέτηση πελατών. Δείτε την ενότητα ΕΞΥΠΗΡΕΤΗΣΗ ΠΕΛΑΤΩΝ.

Παράμετροι του λαμπτήρα:

Θάλαμος ψυγείου: 12 V μέγ. 1,5 W

Μη χρήση για μεγαλύτερα διαστήματα

Εάν η συσκευή δεν χρησιμοποιείται για μεγάλο χρονικό διάστημα:

Αφαιρέστε τα τρόφιμα.

Αποσυνδέστε το καλώδιο τροφοδοσίας.

Καθαρίστε τη συσκευή, όπως περιγράφεται παραπάνω.

Διατηρήσετε τις πόρτες ανοικτές για να αποτρέψετε τη δημιουργία δυσοσμίας στο εσωτερικό.



ΕΙΔΟΠΟΪΗΣΗ

Απενεργοποιήστε τη συσκευή μόνο εάν είναι απολύτως απαραίτητο.

Μετακίνηση της συσκευής

1. Αφαιρέστε όλα τα τρόφιμα και αποσυνδέστε τη συσκευή.
2. Ασφαλίστε τα ράφια και τα άλλα κινητά μέρη στο ψυγείο και στον καταψύκτη με κολλητική ταινία.
3. Μην γέρνετε το ψυγείο περισσότερο από 45° ώστε να αποφύγετε ζημιά στο ψυκτικό σύστημα.



ΠΡΟΕΙΔΟΠΟΙΗΣΗ!

- ▶ Μην σηκώνετε τη συσκευή από τις λαβές της.
- ▶ Μην τοποθετείτε ποτέ τη συσκευή οριζόντια στο έδαφος.

Πολλά προβλήματα που παρουσιάζονται θα μπορούσαν να επιλυθούν από τον εαυτό σας χωρίς ειδική εμπειρογνώμοσύνη. Σε περίπτωση προβλήματος, ελέγξτε όλες τις εμφανιζόμενες δυνατότητες και ακολουθήστε τις παρακάτω οδηγίες προτού επικοινωνήσετε με το τμήμα εξυπηρέτησης πελατών μετά την πώληση. Δείτε την ενότητα ΕΞΥΠΗΡΕΤΗΣΗ ΠΕΛΑΤΩΝ.



ΠΡΟΕΙΔΟΠΟΙΗΣΗ!

- ▶ Πριν από τη συντήρηση, απενεργοποιήστε τη συσκευή και αποσυνδέστε το φις από την πρίζα.
- ▶ Ο ηλεκτρικός εξοπλισμός πρέπει να συντηρείται μόνο από εξειδικευμένους ηλεκτρολόγους, επειδή οι ακατάλληλες επισκευές μπορούν να προκαλέσουν σημαντικές επακόλουθες ζημιές.
- ▶ Μια κατεστραμμένη τροφοδοσία θα πρέπει να αντικατασταθεί από τον κατασκευαστή ή τον αντιπρόσωπο του σέρβις ή παρόμοια εξουσιοδοτημένα πρόσωπα, προς αποφυγή του κινδύνου.

Πρόβλημα	Πιθανή αιτία	Πιθανή λύση
Ο συμπιεστής δεν λειτουργεί.	<ul style="list-style-type: none"> • Το βύσμα δικτύου δεν είναι συνδεδεμένο στην πρίζα. • Η συσκευή βρίσκεται στον κύκλο απόψυξης 	<ul style="list-style-type: none"> • Συνδέστε την πρίζα. • Αυτό είναι φυσιολογικό για αυτόματη απόψυξη
Η συσκευή λειτουργεί συχνά ή λειτουργεί για πολύ μεγάλο χρονικό διάστημα.	<ul style="list-style-type: none"> • Η εσωτερική και η εξωτερική θερμοκρασία είναι πολύ υψηλή. • Η συσκευή απενεργοποιήθηκε για ένα χρονικό διάστημα. • Η πόρτα της συσκευής δεν είναι καλά κλειστή. • Η πόρτα ανοίγει πολύ συχνά ή για μεγάλα χρονικά διαστήματα. • Η ρύθμιση θερμοκρασίας για την κατάψυξη είναι πολύ χαμηλή. 	<ul style="list-style-type: none"> • Είναι φυσιολογικό η συσκευή να λειτουργεί περισσότερο. • Κανονικά, χρειάζονται 8 έως 12 ώρες για να κρυώσει εντελώς η συσκευή. • Κλείστε την πόρτα / συρτάρι και βεβαιωθείτε ότι η συσκευή βρίσκεται σε επίπεδη επιφάνεια και ότι δεν υπάρχει τροφή ή δοχείο που να «χτυπά» πάνω στην πόρτα. • Μην ανοίγετε την πόρτα / το συρτάρι πολύ συχνά. • Ρυθμίστε τη θερμοκρασία ψηλότερα μέχρι να ληφθεί ικανοποιητική θερμοκρασία ψυγείου. Χρειάζονται 24 ώρες για να σταθεροποιηθεί η θερμοκρασία του ψυγείου.

Πρόβλημα	Πιθανή αιτία	Πιθανή λύση
	<ul style="list-style-type: none"> • Το λάστιχο της πόρτας είναι βρώμικο, φθαρμένο, με ρωγμές ή δεν ταιριάζει. • Η απαιτούμενη κυκλοφορία του αέρα δεν είναι εγγυημένη. 	<ul style="list-style-type: none"> • Καθαρίστε την πόρτα/το φλάουτο του συρταριού ή αντικαταστήστε τα από την εξυπηρέτηση πελατών. • Εξασφαλίστε επαρκή αερισμό.
Το εσωτερικό του ψυγείου είναι βρώμικο ή/και μυρίζει άσχημα.	<ul style="list-style-type: none"> • Το εσωτερικό του ψυγείου χρειάζεται καθαρισμό. • Τα τρόφιμα με έντονη οσμή αποθηκεύονται στο ψυγείο. 	<ul style="list-style-type: none"> • Καθαρίστε το εσωτερικό του ψυγείου. • Τυλίξτε καλά το φαγητό.
Δεν υπάρχει αρκετή ψύξη στο εσωτερικό της συσκευής.	<ul style="list-style-type: none"> • Η θερμοκρασία είναι πολύ υψηλή. • Πολύ ζεστά αγαθά έχουν αποθηκευτεί. • Πάρα πολύ φαγητό έχει αποθηκευτεί ταυτόχρονα. • Τα αγαθά είναι πολύ κοντά το ένα στο άλλο. • Η πόρτα / συρτάρια της συσκευής δεν είναι κλειστά. • Η πόρτα/το συρτάρι ανοίγει πολύ συχνά ή για μεγάλα χρονικά διαστήματα. 	<ul style="list-style-type: none"> • Επαναφέρετε τη θερμοκρασία. • Πάντα να ψύχετε τα αγαθά πριν τα αποθηκεύετε. • Να αποθηκεύετε πάντα μικρές ποσότητες τροφίμων. • Αφήστε ένα κενό μεταξύ πολλών τροφίμων που επιτρέπουν τη ροή του αέρα. • Κλείστε την πόρτα/το συρτάρι. • Μην ανοίγετε την πόρτα / το συρτάρι πολύ συχνά.
Υπάρχει αρκετή ψύξη στο εσωτερικό της συσκευής.	<ul style="list-style-type: none"> • Η θερμοκρασία είναι πολύ χαμηλή. 	<ul style="list-style-type: none"> • Επαναφέρετε τη θερμοκρασία.
Σχηματισμός υγρασίας στο εσωτερικό του διαμερίσματος του ψυγείου.	<ul style="list-style-type: none"> • Το κλίμα είναι πολύ ζεστό και πολύ υγρό. • Η πόρτα / συρτάρια της συσκευής δεν είναι κλειστά. • Η πόρτα/το συρτάρι ανοίγει πολύ συχνά ή για μεγάλα χρονικά διαστήματα. • Τα δοχεία τροφίμων ή τα υγρά παραμένουν ανοιχτά. 	<ul style="list-style-type: none"> • Αυξήστε τη θερμοκρασία. • Κλείστε την πόρτα/το συρτάρι. • Μην ανοίγετε την πόρτα / το συρτάρι πολύ συχνά. • Αφήστε τα ζεστά τρόφιμα να κρυώσουν σε θερμοκρασία δωματίου και καλύψτε τα τρόφιμα και τα υγρά.

Πρόβλημα	Πιθανή αιτία	Πιθανή λύση
Η υγρασία συσσωρεύεται στα ψυγεία έξω από την επιφάνεια ή ανάμεσα στις πόρτες / την πόρτα και τα συρτάρια.	<ul style="list-style-type: none"> • Το κλίμα είναι πολύ ζεστό και πολύ υγρό. • Η πόρτα δεν είναι ερμητικά κλειστή. Ο κρύος αέρας στη συσκευή και ο ζεστός αέρας έξω από αυτήν συμπυκνώνονται. 	<ul style="list-style-type: none"> • Αυτό είναι φυσιολογικό σε υγρό κλίμα και θα αλλάξει όταν μειώνεται η υγρασία. • Βεβαιωθείτε ότι η πόρτα/το συρτάρι είναι καλά κλειστά.
Ισχυρός πάγος και παγετός στο διαμέρισμα του καταψύκτη.	<ul style="list-style-type: none"> • Τα εμπορεύματα δεν είχαν συσκευαστεί επαρκώς. • Η πόρτα / συρτάρια της συσκευής δεν είναι κλειστά. • Η πόρτα/το συρτάρι ανοίγει πολύ συχνά ή για μεγάλα χρονικά διαστήματα. • Η φλάντζα πόρτας/συρταριού είναι βρώμικη, φθαρμένη, ραγισμένη ή αταίριαστη. • Κάτι στο εσωτερικό εμποδίζει την πόρτα / συρτάρι να κλείσει σωστά. 	<ul style="list-style-type: none"> • Πάντα να συσκευάζετε καλά τα προϊόντα. • Κλείστε την πόρτα/το συρτάρι. • Μην ανοίγετε την πόρτα / το συρτάρι πολύ συχνά. • Καθαρίστε την τσιμούχα πόρτας/συρταριού ή αντικαταστήστε την με νέα. • Επανατοποθετήστε τα ράφια, τα ράφια των θυρών ή τα εσωτερικά δοχεία για να επιτρέψετε στο κλείσιμο της πόρτας / συρταριού.
Οι πλευρές του ντουλαπιού και της λωρίδας της πόρτας θερμαίνονται.	<ul style="list-style-type: none"> • - 	<ul style="list-style-type: none"> • Αυτό είναι φυσιολογικό.
Η συσκευή κάνει αφύσικους ήχους.	<ul style="list-style-type: none"> • Η συσκευή δεν βρίσκεται σε επίπεδο έδαφος. • Η συσκευή αγγίζει κάποιο αντικείμενο γύρω της. 	<ul style="list-style-type: none"> • Ρυθμίστε τα πόδια για να ισιώσετε τη συσκευή. • Αφαιρέστε τα αντικείμενα γύρω από τη συσκευή.
Ένας ελαφρύς ήχος πρέπει να ακούγεται παρόμοιος με αυτόν του ρέοντος νερού.	<ul style="list-style-type: none"> • - 	<ul style="list-style-type: none"> • Αυτό είναι φυσιολογικό.
Θα ακούσετε ένα ηχητικό σήμα συναγερμού.	<ul style="list-style-type: none"> • Η πόρτα του χώρου αποθήκευσης ψυγείου είναι ανοιχτή. 	<ul style="list-style-type: none"> • Κλείστε την πόρτα.
Θα ακούσετε ένα αχνό βουητό.	<ul style="list-style-type: none"> • Το σύστημα κατά της συμπύκνωσης λειτουργεί 	<ul style="list-style-type: none"> • Αυτό αποτρέπει τη συμπύκνωση και είναι φυσιολογικό



Πρόβλημα	Πιθανή αιτία	Πιθανή λύση
Το σύστημα εσωτερικού φωτισμού ή ψύξης δεν λειτουργεί.	<ul style="list-style-type: none"> Είναι σε λειτουργία demo 	<ul style="list-style-type: none"> Το ψυγείο είναι συνδεδεμένο στο ρεύμα και η πόρτα του ψυγείου είναι ανοιχτή. Πατήστε παρατεταμένα το κουμπί K1 και κάντε κλικ στο κουμπί K2 πέντε φορές, στη συνέχεια το εικονίδιο θα σταματήσει να ανάβει κυκλικά.
Το σύστημα εσωτερικού φωτισμού ή ψύξης δεν λειτουργεί.	<ul style="list-style-type: none"> Το βύσμα δικτύου δεν είναι συνδεδεμένο στην πρίζα. Η παροχή ρεύματος δεν είναι άθικτη. Η λυχνία LED είναι εκτός λειτουργίας. 	<ul style="list-style-type: none"> Συνδέστε την πρίζα. Ελέγξτε την παροχή ηλεκτρικού ρεύματος στο δωμάτιο. Καλέστε την τοπική εταιρεία ηλεκτρισμού! Καλέστε την υπηρεσία για αλλαγή της λυχνίας.

Για να επικοινωνήσετε με την τεχνική βοήθεια, επισκεφθείτε τον ιστότοπό μας: <https://corporate.haier-europe.com/en/>

Στην ενότητα "ιστότοπος", επιλέξτε τη μάρκα του προϊόντος σας και τη χώρα σας. Θα ανακατευθυνθείτε στον συγκεκριμένο ιστότοπο, όπου μπορείτε να βρείτε τον αριθμό τηλεφώνου και τη φόρμα για να επικοινωνήσετε με την τεχνική υποστήριξη.

Διακοπή ρεύματος

Σε περίπτωση διακοπής ρεύματος, τα τρόφιμα πρέπει να παραμένουν με ασφάλεια κρύα και σε συνθήκες ψύξης για περίπου 5 ώρες. Ακολουθήστε αυτές τις συμβουλές κατά τη διάρκεια παρατεταμένης διακοπής ρεύματος, ειδικά το καλοκαίρι:

- ▶ Ανοίγετε την πόρτα / συρτάρια όσο το δυνατόν λιγότερες φορές.
- ▶ Μην βάζετε επιπλέον τρόφιμα στη συσκευή κατά τη διάρκεια διακοπής ρεύματος.
- ▶ Εάν δοθεί προηγούμενη ειδοποίηση για διακοπή ρεύματος και η διάρκεια διακοπής είναι μεγαλύτερη από 5 ώρες, φτιάξτε λίγο πάγο και τοποθετήστε τον σε ένα δοχείο στο πάνω μέρος του ψυγείου
- ▶ Ο έλεγχος των εμπορευμάτων απαιτείται αμέσως μετά τη διακοπή.
- ▶ Καθώς η θερμοκρασία στο ψυγείο θα αυξηθεί κατά τη διάρκεια διακοπής ρεύματος ή άλλης βλάβης, η περίοδος αποθήκευσης και η βρώσιμη ποιότητα των τροφίμων θα μειωθούν. Οποιοδήποτε φαγητό αποψύχεται πρέπει να καταναλώνεται ή να μαγειρεύεται και να καταψύχεται (όταν επιτρέπεται αυτή η διαδικασία) λίγο μετά για την αποφυγή κινδύνων για την υγεία.

Λειτουργία μνήμης κατά τη διακοπή ρεύματος

Μετά την αποκατάσταση του ρεύματος, η συσκευή συνεχίζει με τις ρυθμίσεις που είχαν ρυθμιστεί πριν από την διακοπή ρεύματος.

Αποσυσκευασία



ΠΡΟΕΙΔΟΠΟΙΗΣΗ!

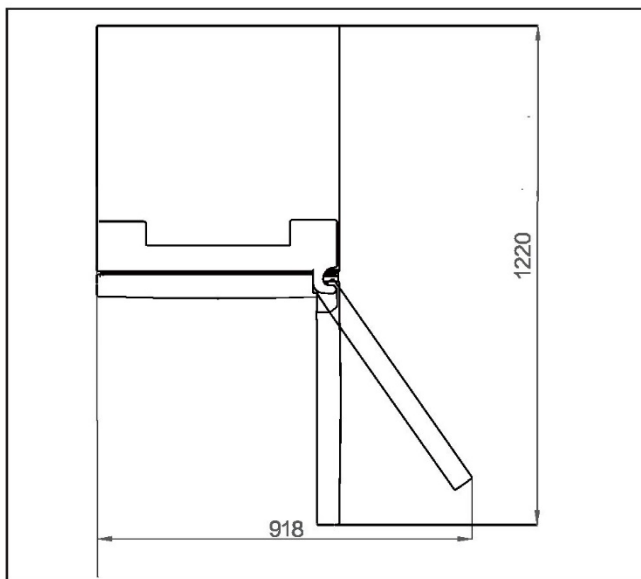
- ▶ Η συσκευή είναι βαριά. Πάντοτε θα πρέπει να χειρίζονται τη συσκευή δύο άτομα τουλάχιστον.
- ▶ Κρατήστε όλα τα υλικά συσκευασίας μακριά από τα παιδιά και απορρίψτε τα με φιλικό προς το περιβάλλον τρόπο.
- ▶ Βγάλε τη συσκευή από τη συσκευασία.
- ▶ Αφαιρέστε όλα τα υλικά συσκευασίας.

Περιβαλλοντικές συνθήκες

Η θερμοκρασία δωματίου θα πρέπει πάντα να κυμαίνεται μεταξύ 10°C και 43°C, για αυτό το ψυγείο, όπως και για CNCQ2T620EX, CNCQ2T620EW, CNCQ2T618EX, CNCQ4T618EW, CNCQ4T618EB· ή η θερμοκρασία δωματίου θα πρέπει πάντα να κυμαίνεται μεταξύ 10°C και 38°C, για αυτό το ψυγείο όπως για παράδειγμα, CNCQ4T620DX, CNCQ4T620DW, καθώς μπορεί να επηρεάσει τη θερμοκρασία στο εσωτερικό της συσκευής και την κατανάλωση ενέργειας. Μην εγκαθιστάτε τη συσκευή κοντά σε άλλες συσκευές που εκπέμπουν θερμότητα (φούρνους, ψυγεία) χωρίς μόνωση.

Απαιτήσεις χώρου

Συνιστώμενος χώρος όταν η πόρτα είναι ανοιχτή



Ευθυγράμμιση της συσκευής

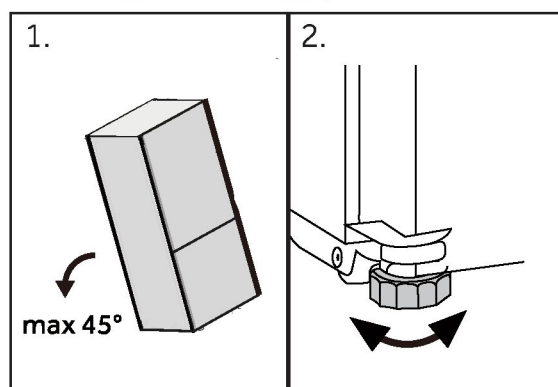
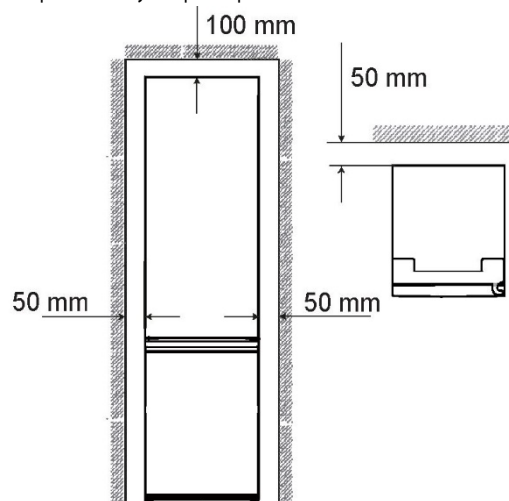
Η συσκευή πρέπει να τοποθετηθεί σε επίπεδη και συμπαγή επιφάνεια.

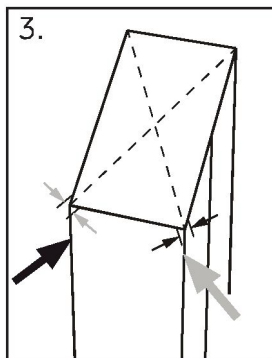
1. Γείρετε ελαφρά το ψυγείο προς τα πίσω.
2. Ρυθμίστε τα πόδια στο επιθυμητό επίπεδο.

Βεβαιωθείτε ότι η απόσταση από τον τοίχο στην πλευρά του μεντεσέ είναι τουλάχιστον 100 mm για να ανοίξει σωστά η πόρτα.

Διατομή εξαερισμού

Για να επιτευχθεί επαρκής αερισμός της συσκευής για λόγους ασφαλείας, συνιστάται να τηρείτε τις πληροφορίες των διατομών εξαερισμού



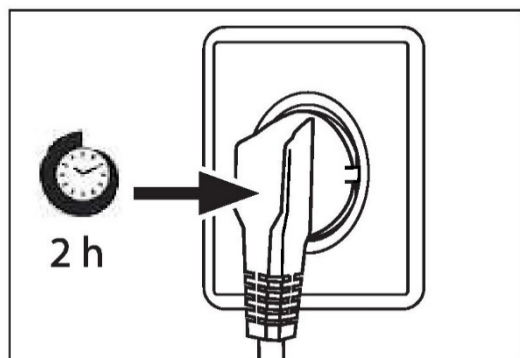


3. 1. Η σταθερότητα μπορεί να ελεγχθεί χτυπώντας εναλλάξ τις διαγώνιες πλευρές. Η ελαφριά ταλάντωση πρέπει να είναι ίδια και προς τις δύο κατευθύνσεις. Διαφορετικά το πλαίσιο μπορεί να παραμορφωθεί και το αποτέλεσμα μπορεί να είναι πιθανές διαρροές από τα λάστιχα της πόρτας. Μια χαμηλή κλίση προς τα πίσω διευκολύνει το κλείσιμο των θυρών.



ΕΙΔΟΠΟΪΗΣΗ

Για μια συσκευή ελεύθερης τοποθέτησης: αυτή η ψυκτική συσκευή δεν προορίζεται για χρήση ως εντοιχιζόμενη συσκευή



Χρόνος αναμονής

Το λάδι λίπανσης χωρίς συντήρηση βρίσκεται στην κάψουλα του συμπιεστή. Αυτό το λάδι μπορεί να περάσει από το κλειστό σύστημα σωλήνων κατά τη διάρκεια της κεκλιμένης μεταφοράς. Πριν συνδέσετε τη συσκευή στην παροχή ρεύματος θα πρέπει να περιμένετε τουλάχιστον 2 ώρες, ώστε το λάδι να επιστρέψει στην κάψουλα.

Ηλεκτρική σύνδεση

Πριν από κάθε σύνδεση ελέγξτε αν:

- ▶ η τροφοδοσία ρεύματος, η πρίζα και η ασφάλεια είναι κατάλληλα σύμφωνα με την πινακίδα ονομαστικών στοιχείων.
- ▶ η πρίζα είναι γειωμένη και δεν υπάρχει πολλαπλή πρίζα ή επέκταση.
- ▶ το βύσμα τροφοδοσίας και η πρίζα είναι σύμφωνα με.

Συνδέστε το βύσμα σε μια σωστά εγκατεστημένη οικιακή πρίζα.



ΠΡΟΕΙΔΟΠΟΙΗΣΗ!

Για να αποφύγετε τους κινδύνους, ένα κατεστραμμένο καλώδιο τροφοδοσίας πρέπει να αντικατασταθεί από την εξυπηρέτηση πελατών (βλ. κάρτα εγγύησης).

Αντιστρεψιμότητα πόρτας

Πριν συνδέσετε τη συσκευή στην τροφοδοσία ρεύματος, θα πρέπει να ελέγξετε εάν το άνοιγμα της πόρτας πρέπει να αλλάξει από δεξιά (όπως παραδίδεται) προς αριστερά, εάν αυτό απαιτείται από τη θέση εγκατάστασης και τη χρηστικότητα.

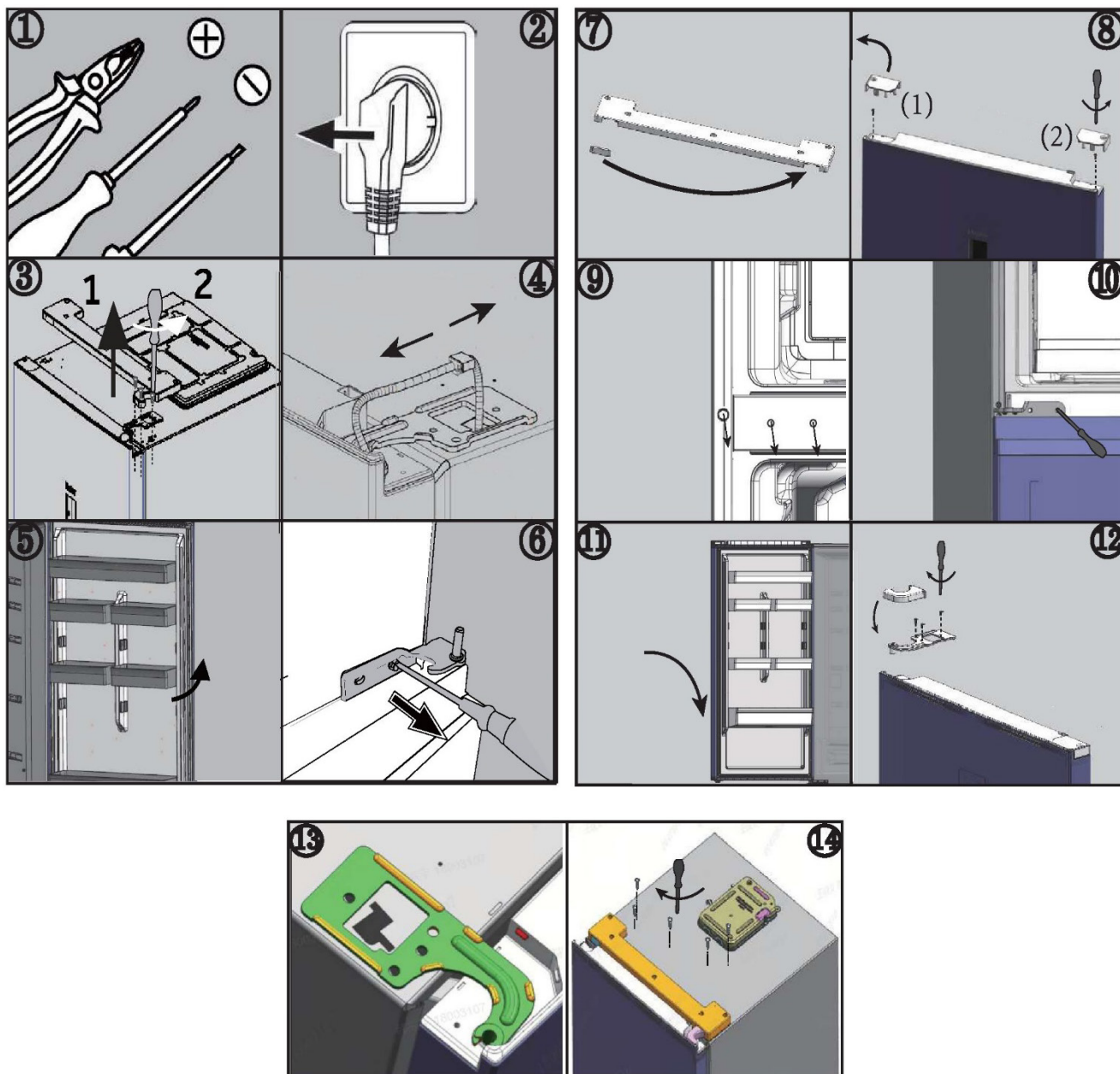


ΠΡΟΕΙΔΟΠΟΙΗΣΗ!

- ▶ Η συσκευή είναι βαριά. Χρειάζεστε δύο άτομα για να πραγματοποιήσετε την αντιστρεψιμότητα της πόρτας.
- ▶ Πριν από οποιαδήποτε λειτουργία, αποσυνδέστε πρώτα τη συσκευή από την πρίζα.
- ▶ Μην γέρνετε τη συσκευή περισσότερο από 45° για να αποφύγετε ζημιά στο σύστημα ψύξης.

Βήματα συναρμολόγησης

1. Παρέχετε τα απαραίτητα εργαλεία.
 2. Αποσυνδέστε τη συσκευή από την πρίζα.
 3. Αφαιρέστε το κάλυμμα του επάνω μεντεσέ 1 και ξεβιδώστε τον επάνω μεντεσέ (τρεις βίδες) στη δεξιά πλευρά 2.
 4. Ανασηκώστε προσεκτικά τη λασκαρισμένη πόρτα του ψυγείου από τον μεσαίο μεντεσέ.
 5. Αφαιρέστε τον μεσαίο μεντεσέ.
 6. Αφαιρέστε το μικρό κάλυμμα του μπροστινού πάνελ από την αριστερή προς τη δεξιά πλευρά.
 7. Γυρίστε την πόρτα ανάποδα και ξεβιδώστε το κάλυμμα (1). Βγάλτε το νέο κάλυμμα (2) από τον σάκο παρελκόμενων και βιδώστε το στην απέναντι πλευρά.
 8. Αλλάξτε τις θέσεις των τυφλών πωμάτων και της βίδας στο πλάι.
 9. Βιδώστε τον μεσαίο μεντεσέ στην αριστερή πλευρά της συσκευής. Προσέξτε να αντιστρέψετε τον άξονα περιστροφής του μεσαίου μεντεσέ, διασφαλίζοντας ότι η πλευρά με το παρέμβυσμα είναι στραμμένη προς τα πάνω.
 10. Σηκώστε προσεκτικά την επάνω πόρτα στον μεσαίου μεντεσέ. Και βεβαιωθείτε ότι ο άξονας εφαρμόζει στην υποδοχή μεντεσέ της κάτω πόρτας.
 11. Βγάλτε τον καινούργιο επάνω μεντεσέ και το κάλυμμα μεντεσέ από τον σάκο παρελκόμενων. Στερεώστε τον επάνω μεντεσέ με τρεις βίδες στην αριστερή πλευρά της συσκευής. Και μετά τοποθετήστε το κάλυμμα του μεντεσέ πάνω από τον μεντεσέ.
 12. Αντικαταστήστε το μπροστινό πάνελ και στερεώστε το με πέντε βίδες.
- Μετά την αλλαγή της πόρτας, ελέγξτε εάν οι τσιμούχες πόρτας έχουν τοποθετηθεί σωστά στο περίβλημα και όλες οι βίδες είναι καλά σφιγμένες.



Θερμοκρασίες περιβάλλοντος

Εκτεταμένη εύκρατη: αυτή η ψυκτική συσκευή προορίζεται να χρησιμοποιηθεί σε θερμοκρασίες περιβάλλοντος από 10°C έως 32°C

Εύκρατη: αυτή η ψυκτική συσκευή προορίζεται να χρησιμοποιηθεί σε θερμοκρασίες περιβάλλοντος από 16°C έως 32°C.

Υποτροπική: αυτή η ψυκτική συσκευή προορίζεται να χρησιμοποιηθεί σε θερμοκρασίες περιβάλλοντος από 16°C έως 38°C.

Τροπική: αυτή η ψυκτική συσκευή προορίζεται να χρησιμοποιηθεί σε θερμοκρασίες περιβάλλοντος από 16°C έως 43°C.

Παράμετροι προϊόντος σύμφωνα με τον κανονισμό (ΕΕ)2019/2016

Βάσει αποτελεσμάτων τυποποιημένων δοκιμών για 24 ώρες. Η πραγματική κατανάλωση ενέργειας εξαρτάται από τον τρόπο χρήσης της συσκευής και από τη θέση που βρίσκεται

Μοντέλο	CNCQ4T620EW CNCQ4T620EX CNCQ4T620EB	CNCQ4T620DX CNCQ4T620DW	CNCQ4T620CX
Τύπος ψυκτικής συσκευής	Ψυγείο-καταψύκτης	Ψυγείο-καταψύκτης	Ψυγείο-καταψύκτης
Κατηγορία ενεργειακής απόδοσης	E	D	C
Ετήσια κατανάλωση ενέργειας (kWh/έτος)	279	223	178
Όγκος διαμερίσματος ψυγείου(L)	289	289	289
Όγκος θαλάμου καταψύκτη (L)	120	120	120
Κατηγορία κατάψυξης	4 αστέρων	4 αστέρων	4 αστέρων
Τύπος απόψυξης	Αυτόματη απόψυξη	Αυτόματη απόψυξη	Αυτόματη απόψυξη
Χρόνος αύξησης θερμοκρασίας (ώρες)	11	11	13
Χωρητικότητα καταψύκτη (κιλά/24 ώρες)	10	10	10
Κλιματική κλάση	SN.N.ST	SN.N.ST.T	SN.N.ST.T



Μοντέλο	CNCQ4T618DX	CNCQ4T618EW CNCQ4T618EX CNCQ4T618EB
Τύπος ψυκτικής συσκευής	Ψυγείο-καταψύκτης	Ψυγείο-καταψύκτης
Κατηγορία ενεργειακής απόδοσης	D	E
Ετήσια κατανάλωση ενέργειας (kWh/έτος)	216	270
Όγκος διαμερίσματος ψυγείου(L)	235	235
Όγκος θαλάμου καταψύκτη (L)	120	120
Κατηγορία κατάψυξης	4 αστέρων	4 αστέρων
Τύπος απόψυξης	Αυτόματη απόψυξη	Αυτόματη απόψυξη
Χρόνος αύξησης θερμοκρασίας (ώρες)	11	11
Χωρητικότητα καταψύκτη (κιλά/24 ώρες)	10	10
Κλιματική κλάση	SN.N.STT	SN.N.ST

Επεξηγήσεις:

- Ναι, υπάρχει

(1) Με βάση τα αποτελέσματα της δοκιμής συμμόρφωσης προτύπων για 24 ώρες. Η πραγματική κατανάλωση εξαρτάται από τη χρήση και τη θέση της συσκευής.

(2) Κλιματική κατάσταση SN: Αυτή η συσκευή προορίζεται για χρήση σε θερμοκρασία περιβάλλοντος μεταξύ + 10 °C και +32 °C

Κλιματική κατάσταση N: Αυτή η συσκευή προορίζεται για χρήση σε θερμοκρασία περιβάλλοντος μεταξύ + 16 °C και +32 °C

Κλιματική κατάσταση ST: Αυτή η συσκευή προορίζεται για χρήση σε θερμοκρασία περιβάλλοντος μεταξύ + 16 °C και +38 °C

Κλιματική κατάσταση T: Αυτή η συσκευή προορίζεται για χρήση σε θερμοκρασία περιβάλλοντος μεταξύ + 16 °C και +43 °C

Πρόσθετα τεχνικά δεδομένα

Μοντέλο	CNCQ4T620EW CNCQ4T620EX CNCQ4T620EB	CNCQ4T620DX CNCQ4T620DW	CNCQ4T618EW CNCQ4T618EX CNCQ4T618EB
Συνολικός όγκος (L)	409	409	355
Τάση/Συχνότητα	220~240V/50Hz	220~240V/50Hz	220~240V/50Hz
Ονομαστικό ρεύμα (A)	0,9	1,4	0,9
Ασφάλεια κεντρική (A)	15	15	15
Ψυκτικό μέσο	R600a(53g)	R600a(53g)	R600a(53g)
Διαστάσεις (Π/Β/Υ σε mm)	595*667*2050	595*667*2050	595*667*1850

Μοντέλο	CNCQ4T620CX	CNCQ4T618DX
Συνολικός όγκος (L)	409	355
Τάση/Συχνότητα	220~240V/50Hz	220~240V/50Hz
Ονομαστικό ρεύμα (A)	1,4	1,4
Ασφάλεια κεντρική (A)	15	15
Ψυκτικό μέσο	R600a(50g)	R600a(53g)
Διαστάσεις (Π/Β/Υ σε mm)	595*667*2050	595*667*1850



Συνιστούμε την Εξυπηρέτηση Πελατών της Haier και τη χρήση γνήσιων ανταλλακτικών. Εάν έχετε κάποιο πρόβλημα με τη συσκευή σας, ελέγξτε πρώτα την ενότητα ΑΝΤΙΜΕΤΩΠΙΣΗ ΠΡΟΒΛΗΜΑΤΩΝ.

Εάν δεν μπορείτε να βρείτε μια λύση εκεί, επικοινωνήστε

- ▶ με τον τοπικό σας αντιπρόσωπο ή
- ▶ το Ευρωπαϊκό τηλεφωνικό κέντρο εξυπηρέτησης (βλ. παρακάτω αριθμούς τηλεφώνου) ή
- ▶ πηγαίνετε στην ενότητα Εξυπηρέτηση και Υποστήριξη στη διεύθυνση www.haier.com όπου μπορείτε να υποβάλετε αίτημα εξυπηρέτησης
- ▶ και επίσης να βρείτε τις συχνές ερωτήσεις.

Για να επικοινωνήσετε με την Υπηρεσία μας, βεβαιωθείτε ότι έχετε τα ακόλουθα δεδομένα διαθέσιμα.

Οι πληροφορίες μπορούν να βρεθούν στην πινακίδα ονομαστικών στοιχείων.

Μοντέλο _____

Σειριακός αριθμός. _____

Επίσης, ελέγξτε την Κάρτα Εγγύησης που παρέχεται με το προϊόν σε περίπτωση εγγύησης.

Ευρωπαϊκό Τηλεφωνικό Κέντρο		
Χώρα*	Αριθμός τηλεφώνου	Έξοδα
Haier Italy (IT)	199 100 912	
Haier Spain (ES)	902 509 123	
Haier Germany (DE)	0180 5 39 39 99	<ul style="list-style-type: none"> • 14 λεπτά/λεπτό από σταθερό • μέγιστο 42 λεπτά/λεπτό από κινητό
Haier Austria (AT)	0820 001205	<ul style="list-style-type: none"> • 14,53 λεπτά/λεπτό από σταθερό • μέγιστο 20 λεπτά/λεπτό όλα τα άλλα
Haier United Kingdom (UK)	0333 003 8122	
Haier France (FR)	0980 406 409	



*Για άλλες χώρες, ανατρέξτε στη διεύθυνση www.haier.com

Haier Europe Trading S.r.l

Branch UK

Westgate House, Westgate, Ealing

Λονδίνο, W5 1YY

*Διάρκεια εγγύησης της ψυκτικής συσκευής:

Η ελάχιστη εγγύηση είναι: 2 χρόνια για τις χώρες της ΕΕ, 3 χρόνια για την Τουρκία, 1 χρόνο για το Ηνωμένο Βασίλειο, 1 χρόνο για τη Ρωσία, 3 χρόνια για τη Σουηδία, 2 χρόνια για τη Σερβία, 5 χρόνια για τη Νορβηγία, 1 χρόνο για το Μαρόκο, 6 μήνες για την Αλγερία, για την Τυνησία δεν απαιτείται νομική εγγύηση.

*Περίοδος διάθεσης ανταλλακτικών για επισκευή της συσκευής:

Θερμοστάτες, αισθητήρες θερμοκρασίας, πλακέτες τυπωμένων κυκλωμάτων και πηγές φωτός διατίθενται για επτά τουλάχιστον χρόνια μετά τη διάθεση της τελευταίας μονάδας του μοντέλου στην αγορά.

Λαβές πόρτας, μεντεσέδες πόρτας, δίσκοι και καλάθια διατίθενται για περίοδο τουλάχιστον επτά ετών και λάστιχα πόρτας για περίοδο τουλάχιστον 10 ετών μετά τη διάθεση της τελευταίας μονάδας του μοντέλου στην αγορά.

*Για περισσότερες πληροφορίες σχετικά με το προϊόν, συμβουλευτείτε τη διεύθυνση <https://eprel.ec.europa.eu/> ή σαρώστε τον κωδικό QR στην ενεργειακή ετικέτα που παρέχεται με τη συσκευή.

<u>5 Información de seguridad</u>	<u>Antes del primer uso</u>	6
	<u>Instalación</u>	6
	<u>Uso diario</u>	7
<u>10 Uso previsto</u>		
<u>11 Descripción del producto</u>		
<u>13 Panel de control</u>		
<u>14 Uso</u>	<u>Ajustar la temperatura del frigorífico</u>	15
	<u>Ajustar la temperatura del congelador</u>	15
	<u>Función Super Freeze</u>	15
	<u>Función Super Cool</u>	16
	<u>Función Fresh 0 °C</u>	15
<u>20 Equipo</u>		
<u>22 Consejos de ahorro de energía</u>		
<u>23 Cuidado y limpieza</u>		
<u>25 Solución de problemas</u>		
<u>29 Instalación</u>		
<u>33 Datos técnicos</u>		
<u>36 Atención al cliente</u>		



Haga clic en el contenido para ver la información detallada.

Gracias por comprar un producto Candy.

Lea atentamente estas instrucciones antes de utilizar este electrodoméstico. Estas instrucciones contienen información importante que le ayudará a sacar el máximo provecho del electrodoméstico y a garantizar una instalación, uso y mantenimiento seguros y adecuados.

Guarde este manual en un lugar seguro para poder consultarlo en cualquier momento y garantizar un uso seguro y adecuado del electrodoméstico.

Si vende este electrodoméstico, lo dona o lo deja al mudarse, asegúrese de entregar también este manual para que el nuevo propietario pueda familiarizarse con el electrodoméstico y las advertencias de seguridad.

Accesorios

Verifique los accesorios y la documentación según la siguiente lista:



Inserto
de la tapa



Etiqueta
energética



Tarjeta
de garantía



Guía rápida



Bisagras
de la puerta



Tapa
de la bisagra



ADVERTENCIA: Información de seguridad importante



AVISO: Información general y consejos



Información medioambiental



Eliminación

Ayude a proteger el medio ambiente y la salud humana. Tire el embalaje en los contenedores correspondientes para reciclarlo. Ayude a reciclar los residuos de aparatos eléctricos y electrónicos. No deseche los aparatos marcados con este símbolo en la basura doméstica. Lleve el producto a su planta de reciclaje local o póngase en contacto con su oficina municipal.



¡ADVERTENCIA!

¡Peligro de lesiones o asfixia!

Los refrigerantes y gases deben ser eliminados de forma profesional. Asegúrese de que la tubería del circuito refrigerante no está dañada antes de desecharla adecuadamente. Desconecte el electrodoméstico de la red eléctrica. Corte el cable de red y deséchelo. Quite las bandejas y los cajones, así como el asa de la puerta y las juntas, para evitar que los niños y las mascotas se queden encerrados en el electrodoméstico.



Antes de encender el electrodoméstico por primera vez, lea las siguientes directrices de seguridad:



¡ADVERTENCIA!

Antes del primer uso

- ▶ Asegúrese de que no haya daños causados por el transporte.
- ▶ Retire todo el embalaje y manténgalo fuera del alcance de los niños.
- ▶ Espere al menos dos horas antes de instalar el electrodoméstico para asegurarse de que el circuito refrigerante sea totalmente eficiente.
- ▶ Este electrodoméstico pesa mucho: manipúlelo con la ayuda de otra persona.

Instalación

- ▶ Este electrodoméstico debe colocarse en un lugar bien ventilado. Asegúrese de dejar un espacio libre de al menos 10 cm por encima y alrededor del electrodoméstico.
- ▶ No coloque el electrodoméstico en un área húmeda o en un lugar donde pueda recibir salpicaduras de agua. Limpie y seque las salpicaduras y manchas con un paño suave y limpio.
- ▶ No instale el electrodoméstico bajo la luz directa del sol o cerca de fuentes de calor (p. ej.: fogones, estufas...).
- ▶ Instale y nivele el electrodoméstico en un lugar adecuado para su tamaño y uso.
- ▶ No obstruya las aberturas de ventilación del armazón del electrodoméstico o de la estructura integrada.
- ▶ Asegúrese de que la información eléctrica de la placa de características técnicas coincida con la fuente de alimentación. Si no es así, póngase en contacto con un electricista.
- ▶ Este electrodoméstico funciona mediante una fuente de alimentación de 220-240 V CA/50 Hz. Una fluctuación anormal del voltaje puede provocar que el electrodoméstico no se ponga en marcha o que se dañe el control de temperatura o el compresor, o que se oiga un ruido anormal durante el funcionamiento. En tal caso, se deberá instalar un regulador automático.
- ▶ No utilice adaptadores de múltiples contactos ni cables de extensión.
- ▶ No ubique tomas de corriente múltiples portátiles ni fuentes de alimentación portátiles en la parte trasera del electrodoméstico.
- ▶ Asegúrese de que el cable de alimentación no quede aprisionado por el frigorífico. No oprima el cable de alimentación.



¡ADVERTENCIA!

- ▶ Utilice una toma de corriente a tierra separada para la fuente de alimentación a la que se pueda acceder fácilmente. Este electrodoméstico debe conectarse a tierra. Solo para el Reino Unido: El cable de alimentación de este electrodoméstico está equipado con un enchufe de 3 cables (con puesta a tierra) que se ajusta a una toma de corriente estándar de 3 cables (puesta a tierra). No corte ni desmonte la tercera patilla (toma de tierra). Una vez instalado el electrodoméstico, el enchufe debe ser accesible.
- ▶ No dañe el circuito del refrigerante.

Uso diario

- ▶ Este electrodoméstico puede ser utilizado por niños a partir de 8 años y por personas con capacidades físicas, sensoriales o mentales reducidas, o sin experiencia o conocimientos previos, siempre y cuando hayan recibido la supervisión y las instrucciones necesarias para utilizar el electrodoméstico de forma segura y comprendan los riesgos que implica.
- ▶ Se permite que los niños de 3 a 8 años llenen y vacíen electrodomésticos de refrigeración, pero no están autorizados a limpiarlos o instalarlos.
- ▶ Mantenga alejados del electrodoméstico a los niños menores de 3 años a menos que estén constantemente supervisados.
- ▶ Los niños no deben jugar con este electrodoméstico.
- ▶ Si se filtra gas refrigerante u otro gas inflamable en las proximidades del electrodoméstico, apague la válvula del gas filtrado, abra las puertas y ventanas y no desconecte un enchufe en el cable de alimentación del frigorífico/congelador o cualquier otro electrodoméstico.
- ▶ Tenga en cuenta que el aparato, por ejemplo CNCQ4T620EX, CNCQ4T620EW, CNCQ4T618EX, CNCQ4T618EW o CNCQ4T618EB, está ajustado para funcionar en un rango ambiente específico de entre 10 °C y 38 °C. El electrodoméstico no puede funcionar correctamente si se deja durante mucho tiempo a una temperatura superior o inferior al intervalo indicado.
- ▶ Tenga en cuenta que el aparato, por ejemplo CNCQ4T620DX, CNCQ4T620DW o CNCQ4T620CX, está ajustado para funcionar en un rango ambiente específico de entre 10 °C y 43 °C. El electrodoméstico no puede funcionar correctamente si se deja durante mucho tiempo a una temperatura superior o inferior al intervalo indicado.
- ▶ No coloque artículos inestables (objetos pesados, recipientes llenos de agua) en la parte superior del frigorífico, a fin de evitar lesiones personales causadas por caídas o descargas eléctricas causadas por el contacto con el agua.
- ▶ No tire de los estantes de la puerta. Se puede tirar de la puerta de forma inclinada, el botellero puede retirarse o el electrodoméstico puede volcar.



¡ADVERTENCIA!

- ▶ No almacene ni utilice elementos inflamables, explosivos o corrosivos en el electrodoméstico ni cerca de él.
 - ▶ No guarde medicamentos, bacterias ni agentes químicos en el electrodoméstico. Este aparato es un electrodoméstico. No se recomienda almacenar materiales que requieran temperaturas extremas.
 - ▶ Nunca almacene líquidos en botellas o latas (aparte de bebidas de alto grado alcohólico), especialmente las bebidas carbonatadas, en el congelador, ya que se romperían durante la congelación.
 - ▶ Compruebe el estado de los alimentos si se ha producido un calentamiento en el congelador.
 - ▶ No ajuste una temperatura demasiado baja sin necesidad en el compartimento frigorífico. Los ajustes más altos pueden generar temperaturas bajo cero. Atención: Las botellas pueden reventar.
 - ▶ No toque los productos congelados con las manos mojadas (use guantes). Sobre todo, no coma hielo inmediatamente después de haberlo sacado del congelador. Existe el riesgo de congelación o de formación de ampollas. PRIMEROS AUXILIOS: poner inmediatamente bajo el grifo de agua fría. ¡No tirar!
 - ▶ No toque la superficie interior del compartimento de almacenamiento del frigorífico cuando esté en funcionamiento, especialmente con las manos mojadas, ya que las manos pueden congelarse por la superficie.
 - ▶ Desenchufe el electrodoméstico en caso de interrupción del suministro eléctrico o antes de limpiarlo. Espere al menos 7 minutos antes de volver a poner en marcha el aparato, ya que un arranque frecuente puede dañar el compresor.
 - ▶ No deben utilizarse dispositivos eléctricos dentro de los compartimentos para alimentos del electrodoméstico, salvo que sean del tipo recomendado por el fabricante.
- Mantenimiento / limpieza
- ▶ Asegúrese de que los niños están bajo supervisión si realizan tareas de limpieza y mantenimiento.
 - ▶ Desconecte el electrodoméstico de la red eléctrica antes de realizar cualquier mantenimiento rutinario. Deje pasar al menos 5 minutos antes de reiniciar el electrodoméstico, ya que el arranque frecuente puede dañar el compresor.
 - ▶ Antes de colocar el electrodoméstico, asegúrese de que el cable de alimentación no está atrapado ni dañado.
 - ▶ No ubique tomas de corriente múltiples portátiles ni fuentes de alimentación portátiles en la parte trasera del electrodoméstico.
 - ▶ No use dispositivos eléctricos dentro de los compartimentos para alimentos del electrodoméstico, salvo que sean del tipo recomendado por el fabricante.
 - ▶ No conserve en este electrodoméstico sustancias explosivas, como aerosoles con propelentes inflamables.



¡ADVERTENCIA!

- ▶ Cuando desenchufe el electrodoméstico, hágalo por la clavija, no por el cable.
- ▶ No limpie el electrodoméstico con cepillos duros, cepillos de alambre, detergente en polvo, gasolina, acetato de amilo, acetona y soluciones orgánicas similares, soluciones ácidas o alcalinas. Limpie con un detergente especial para frigoríficos para evitar daños.
- ▶ No raspe la escarcha y el hielo con objetos afilados. No utilice aerosoles, calentadores eléctricos como secadores de pelo, limpiadores a vapor u otras fuentes de calor para evitar dañar las piezas de plástico.
- ▶ No utilice dispositivos mecánicos ni otros equipos para acelerar el proceso de descongelación, salvo aquellos recomendados por el fabricante.
- ▶ Si el cable de alimentación está dañado, debe ser sustituido por el fabricante, por su servicio técnico o por cualquier profesional cualificado similar para evitar riesgos.
- ▶ No intente reparar, desmontar o modificar este electrodoméstico por su cuenta. En caso de reparación, póngase en contacto con nuestro servicio de atención al cliente.
- ▶ Saque el polvo de la parte posterior de la unidad al menos una vez al año para evitar el riesgo de incendio, así como un mayor consumo de energía.
- ▶ No rocíe ni enjuague el electrodoméstico durante la limpieza.
- ▶ No use agua pulverizada o vapor para limpiar el electrodoméstico.
- ▶ No limpie los estantes de cristal fríos con agua caliente. Un cambio repentino de temperatura puede causar que el cristal se rompa.

Información sobre el gas refrigerante



¡ADVERTENCIA!

Este electrodoméstico contiene el refrigerante inflamable ISOBUTANO (R600a). Asegúrese de no dañar el circuito refrigerante durante el transporte o la instalación. La fuga de refrigerante puede causar lesiones oculares o incendios. Si se produce algún daño, manténgase alejado de llamas abiertas, ventile bien la habitación y no conecte o desconecte los cables de alimentación de este ni de cualquier otro electrodoméstico. Informe al servicio de atención al cliente.

En caso de que los ojos entren en contacto con el refrigerante, enjuáguelos inmediatamente con agua corriente y llame inmediatamente a un oftalmólogo.

Este electrodoméstico está diseñado para enfriar y congelar alimentos. Ha sido diseñado exclusivamente para su uso en aplicaciones domésticas y similares, como áreas de cocina para personal de tiendas, oficinas y otros entornos de trabajo; granjas y el uso por clientes en hoteles, moteles y otros entornos de tipo residencial, así como en alojamientos y restauración. No está destinado a un uso comercial o industrial. No se permite realizar cambios o modificaciones en el electrodoméstico. Un uso no previsto puede causar riesgos y la pérdida de los derechos de reclamación por garantía.

Normas y directivas **CE**

Este producto cumple los requisitos de todas las directivas CE aplicables con las correspondientes normas acordadas, que establecen el mercado CE.

PROCEDIMIENTO DE EMPAREJAMIENTO EN LA APLICACIÓN

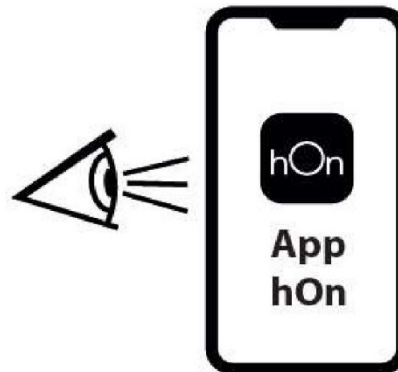
Paso 1 • Descargue la aplicación hOn de la tienda de aplicaciones.



Paso 2 • Cree su cuenta en la aplicación hOn o inicie sesión si ya tiene una.



Paso 3 • Siga las instrucciones de emparejamiento en la aplicación hOn.

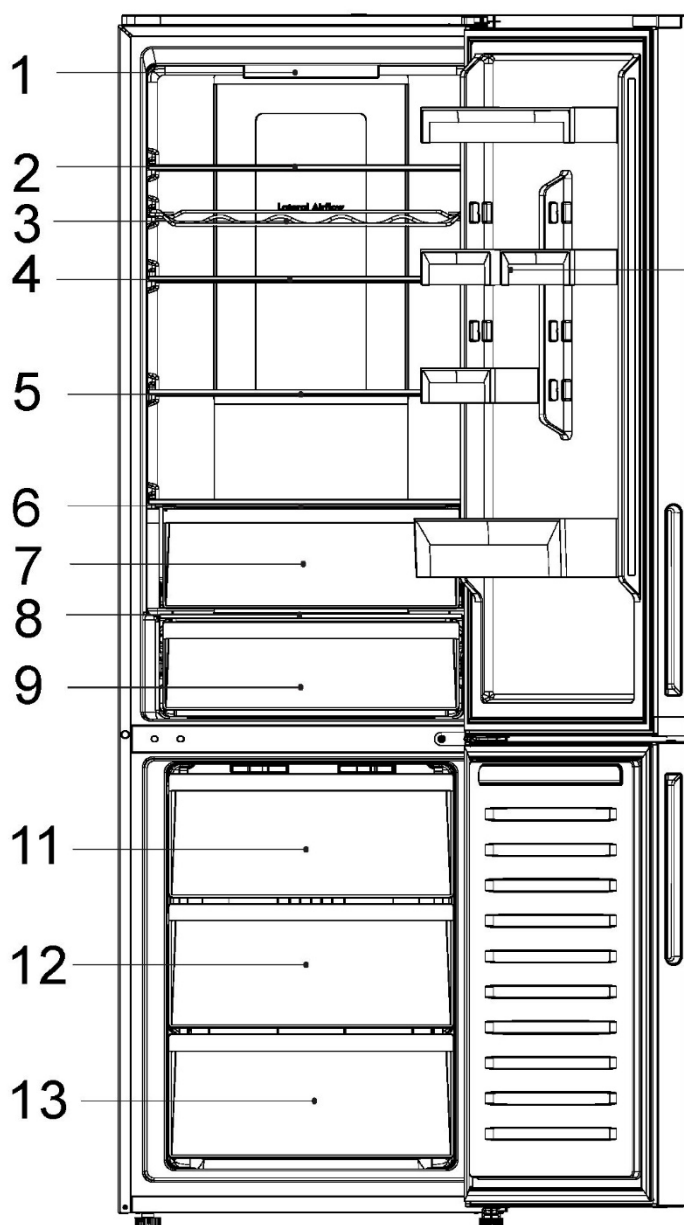


Módulo de radio - Datos técnicos

Rango de frecuencia (OFR)	2400 MHz-2843,5 MHz
Frecuencias de los canales	2412...2472 MHz (tamaño de intervalo 5 MHz)
Potencia máxima (EIRP)	100 mW

i AVISO

Debido a cambios técnicos y a las diferencias entre modelos, algunas de las ilustraciones de este manual pueden diferir de su modelo.



CNCQ4T620EX
 CNCQ4T620EB
 CNCQ4T620DX
 CNCQ4T620EW
 CNCQ4T620DW
 CNCQ4T620CX

A: Compartimento frigorífico

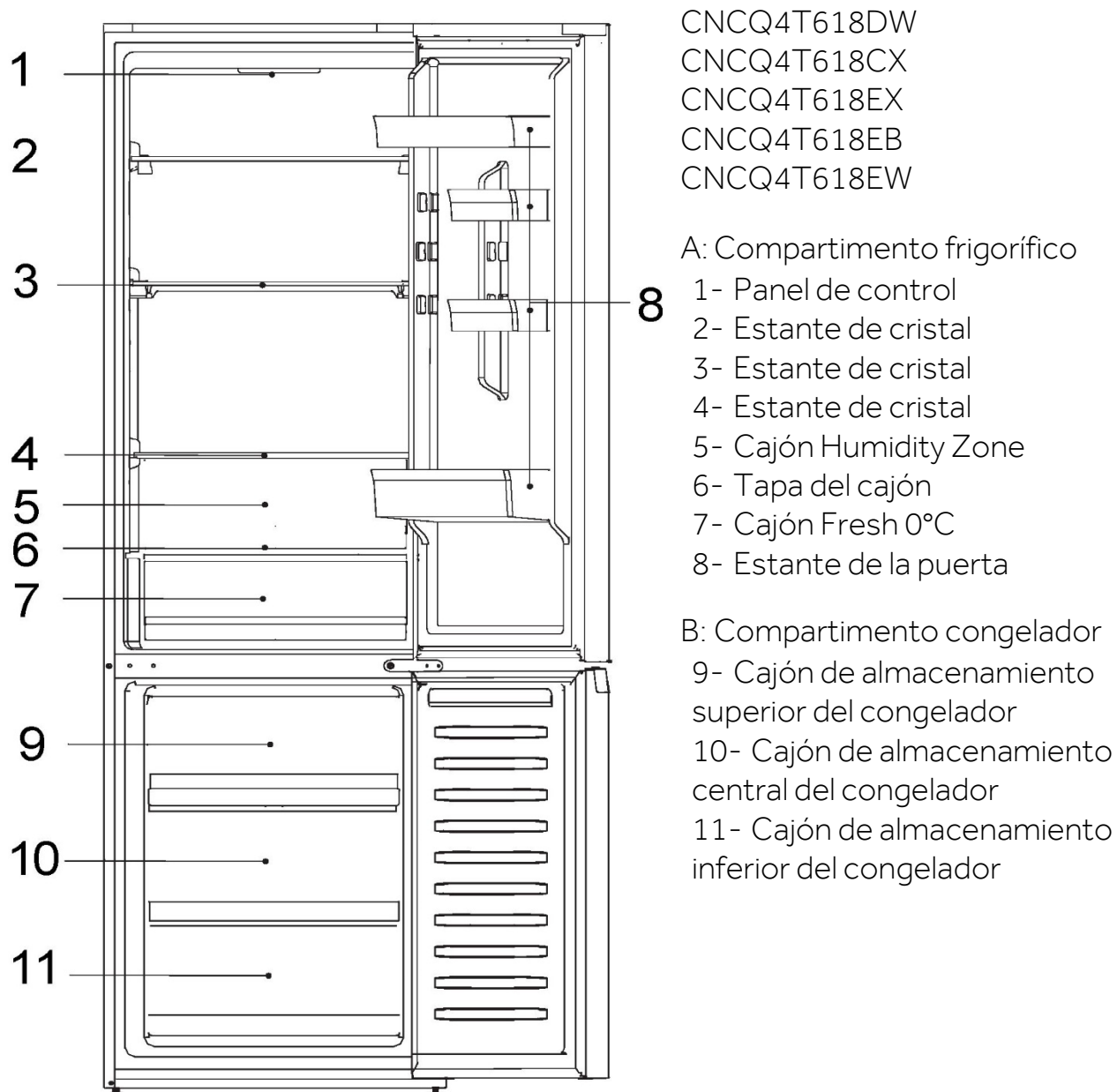
- 1- Panel de control
- 2- Estante de cristal
- 3- Estante para el vino
- 4- Estante de cristal
- 5- Estante de cristal
- 6- Tapa del cajón
- 7- Cajón Humidity Area
- 8- Tapa del cajón
- 9- Cajón Fresh 0°C
- 10- Estante de la puerta

B: Compartimento congelador

- 11- Cajón de almacenamiento superior del congelador
- 12- Cajón de almacenamiento central del congelador
- 13- Cajón de almacenamiento inferior del congelador


AVISO

Debido a cambios técnicos y a las diferencias entre modelos, algunas de las ilustraciones de este manual pueden diferir de su modelo.



CNCQ4T618DW
 CNCQ4T618CX
 CNCQ4T618EX
 CNCQ4T618EB
 CNCQ4T618EW

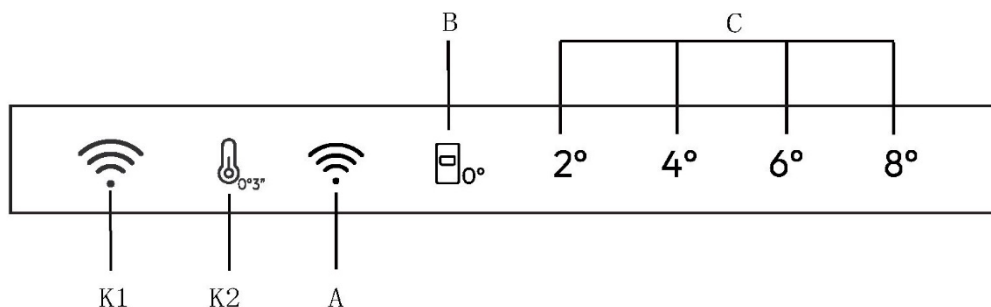
A: Compartimento frigorífico

- 1- Panel de control
- 2- Estante de cristal
- 3- Estante de cristal
- 4- Estante de cristal
- 5- Cajón Humidity Zone
- 6- Tapa del cajón
- 7- Cajón Fresh 0°C
- 8- Estante de la puerta

B: Compartimento congelador

- 9- Cajón de almacenamiento superior del congelador
- 10- Cajón de almacenamiento central del congelador
- 11- Cajón de almacenamiento inferior del congelador

Panel de control



Botones

- K1 Activación/desactivación de la función Wi-Fi.
- K2 Tecla de activación/desactivación de la selección de temperatura, se utiliza para activar/desactivar los indicadores de Fresh 0 °C.
- A Visualización Wi-Fi.

Indicadores

- B Función Fresh 0 °C
- C Indicador de temperatura del frigorífico

Antes del primer uso

- ▶ Retire todo el material de embalaje, manténgalo fuera del alcance de los niños y deséchelo de forma respetuosa con el medio ambiente.
- ▶ Limpie el interior y el exterior del electrodoméstico, así como el interior y los accesorios con agua y un detergente suave, y séquelo bien con un paño suave.
- ▶ Después de nivelar y limpiar el electrodoméstico, espere al menos 2 horas antes de conectarlo a la fuente de alimentación. Ver sección INSTALACIÓN.
- ▶ Enfríe previamente los compartimentos a altas temperaturas antes de llenarlos de alimentos.

Botones mecánicos

Los botones del panel de control son botones mecánicos.

Encender/apagar el electrodoméstico

El electrodoméstico se pondrá en marcha en cuanto se conecte a la fuente de alimentación.

Cuando el frigorífico se enciende por primera vez, se ilumina el indicador "4°" de "B" (visualización de la temperatura del frigorífico) y el indicador "0°" del cajón de almacenamiento 0°C.

La temperatura del frigorífico y del congelador se ajustan automáticamente a 4 °C y -20 °C, respectivamente, cuando entra en funcionamiento el cajón de almacenamiento 0°C.



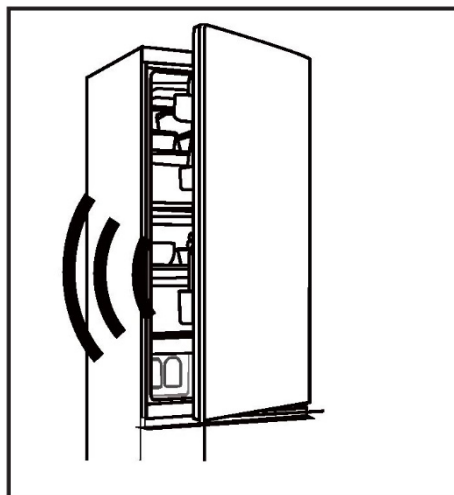
AVISO

El aparato está preajustado a la temperatura recomendada de 4 °C. Estos son los ajustes recomendados. Si lo desea, puede cambiar estas temperaturas manualmente.

Alarma de apertura de la puerta

Cuando la puerta del frigorífico esté abierta durante más de 3 minutos, la alarma de apertura de la puerta sonará.

La alarma puede ser silenciada cerrando la puerta. Si la puerta se deja abierta durante más de 7 minutos, la luz del frigorífico y la iluminación del panel de control se apagarán automáticamente.



Encendido/Apagado

Cuando el aparato esté encendido, pulse el botón K1 durante 3 segundos, el aparato entra en modo de espera, el compresor deja de funcionar y la luz se apaga; cuando el aparato esté en modo de espera, pulse el botón K1 durante 3 segundos, el aparato se encenderá, el compresor se pondrá en marcha y la luz se encenderá.

Ajuste de la temperatura

Las temperaturas interiores están influenciadas por los siguientes factores:

Temperatura ambiente





Frecuencia de apertura de la puerta
Cantidad de alimentos almacenados
Instalación del electrodoméstico

Ajustar la temperatura del compartimento frigorífico/congelador

1. Pulse la tecla "K2" (selección de temperatura del frigorífico) para seleccionar la temperatura del frigorífico.
2. El indicador "B" (visualización de la temperatura del frigorífico) se iluminará alternativamente como se indica a continuación;
 $2^{\circ} \rightarrow 4^{\circ} \rightarrow 6^{\circ} \rightarrow 8^{\circ}$
3. Al seleccionar la temperatura del Frigorífico en el panel de control la temperatura correspondiente para el Congelador es $2^{\circ} (-22^{\circ}) \rightarrow 4^{\circ} (-20^{\circ}) \rightarrow 6^{\circ} (-18^{\circ}) \rightarrow 8^{\circ} (-16^{\circ})$.

Función Fresh 0 °C

Para entrar en el modo "0°", con la puerta del frigorífico abierta, pulse K2 durante 3 segundos; con una señal acústica, el indicador "  " se ilumina y la temperatura de Fresh 0°C se acercará a 0 °C.

Para salir del modo "0°", con la puerta del frigorífico abierta, pulse K2 durante 3 segundos; con una señal acústica, el indicador "  " se apagará; la temperatura del cajón "0°" cambiará con la temperatura de la refrigeración.

Ajuste de marchas

Después de que el Wi-Fi del frigorífico se conecte correctamente, puede ajustar la marcha a través de la aplicación, después del ajuste, los indicadores C visualizados se apagarán. La luz de la puerta parpadea una vez por cada ajuste correcto de la marcha. El rango ajustable del frigorífico es de 2°, 3°, 4°, 5°, 6°, 7°, 8°.

El rango ajustable del congelador es -24°, -23°, -22°, -21°, -20°, -19°, -18°, -17°, -16°.

La función Fresh 0 °C puede activarse o desactivarse.

Función Super Freeze

1. Los alimentos frescos deben congelarse lo antes posible hasta su centro; de este modo, se puede conservar el mejor valor nutricional, aspecto y sabor. La función Super Freeze acelera el enfriamiento de los alimentos frescos y protege la comida almacenada de un calentamiento indeseado. Si necesita congelar una gran cantidad de alimentos a la vez, se recomienda configurar la función Super Freeze durante 24 horas antes del uso del congelador.

2. Puede entrar en la función Super Freeze a través de la aplicación, y en este momento la pantalla



AVISO

1. El aparato sale de la función Super Freeze después de entrar en la función Super Freeze durante 50 horas o al pulsar "K2" o desactivarla desde la aplicación.
2. En el estado Super Freeze, no se puede ajustar la temperatura del compartimento congelador.

Función Super Cool

1. Se recomienda activar la función Super Cool si se debe guardar una gran cantidad de alimentos (por ejemplo, después de la compra). La función Super Cool acelera el enfriamiento de los alimentos frescos y protege la comida almacenada de un calentamiento indeseado.
2. Puede entrar en la función Super Cool a través de la aplicación y, en este momento, el icono C de la pantalla se apaga.



AVISO

1. El aparato sale de la "función Super Cool" después de entrar en la "función Super Cool" durante 6 horas o pulsando "K2" o desactivándola desde la aplicación.
2. En el estado Super Cool, no se puede ajustar la temperatura del compartimento frigorífico.

Función Holiday

La función Holiday puede utilizarse para reducir el consumo de energía del electrodoméstico, si éste no se utiliza con regularidad. Cuando la función está activada, el frigorífico se apaga, mientras que el congelador seguirá funcionando con normalidad. Esta función ajusta la temperatura del frigorífico de forma permanente a 17 °C. Puede entrar en la función Holiday a través de la aplicación y, en este momento, el icono C de la pantalla se apaga.



AVISO

La función se puede desactivar ajustando la temperatura del frigorífico o realizando cualquier otro ajuste o desactivándola desde la app. Cuando el modo Holiday está activado, la luz de refrigeración está apagada.

Función de interconexión Wi-Fi

En el estado de puerta abierta del frigorífico, pulse prolongadamente la tecla K1 durante 3S, el frigorífico emite un pitido, el icono A parpadea rápidamente y se entra en el modo de configuración Wi-Fi.

Alarma de puerta abierta y consejos sobre problemas

Si la puerta del frigorífico se queda abierta hasta 3 minutos, el frigorífico emite un pitido, al mismo tiempo que la luz indicadora de la puerta parpadea; si el tiempo de apertura de la puerta alcanza los 13 minutos y la puerta del frigorífico sigue sin cerrarse, el frigorífico deja de emitir un pitido y la luz indicadora de la puerta permanece parpadeando.

Si la puerta del congelador del frigorífico está cerrada, el frigorífico sigue emitiendo un pitido o la luz indicadora de la puerta sigue parpadeando, es posible que las piezas del frigorífico hayan fallado; póngase en contacto con el personal de posventa lo antes posible. Memoria de fallo de alimentación

Cuando se apaga el frigorífico, se memoriza el estado de funcionamiento instantáneo del fallo de alimentación, y cuando se vuelve a encender, el frigorífico sigue funcionando



de acuerdo con la marcha ajustada y el estado de funcionamiento anterior al fallo de alimentación.

Consejos para almacenar alimentos frescos

Almacenar en el compartimento frigorífico

Mantenga la temperatura de su frigorífico por debajo de los 5° C.

Los alimentos calientes deben haberse enfriado a temperatura ambiente antes de ser almacenados en el electrodoméstico.

Los alimentos almacenados en el frigorífico deben lavarse y secarse antes de almacenarse.

Los alimentos a almacenar deben estar debidamente sellados para evitar olores o alteraciones del sabor.

No almacene cantidades excesivas de comida. Deje espacio entre los alimentos para permitir que el aire frío fluya alrededor de ellos y lograr una refrigeración mejor y más homogénea.

Los alimentos consumidos diariamente deben almacenarse en la parte frontal del estante.

Deje espacio entre los alimentos y las paredes interiores, permitiendo que el aire fluya. De cualquier modo, se recomienda que los alimentos no toquen la pared trasera: los alimentos podrían congelarse contra la pared trasera. Evite el contacto directo de los alimentos (especialmente alimentos aceitosos o ácidos) con el revestimiento interno, ya que el aceite/ácido puede erosionarlo. Limpie los restos de aceite/ácido cuando los encuentre.

Los alimentos congelados se pueden descongelar suavemente en el compartimento frigorífico. Esto ahorra energía.

El proceso de maduración de las frutas y verduras como calabacines, melones, papaya, plátano, piña, etc. se puede acelerar en el frigorífico. Por lo tanto, no se recomienda conservarlos en el frigorífico. Sin embargo, se puede promover la maduración de algunas frutas durante un cierto período. Las cebollas, el ajo, el jengibre y otras raíces también deben almacenarse a temperatura ambiente.

Los malos olores en el interior del frigorífico son un signo de que algo se ha derramado y se requiere limpieza. Vea Cuidado y limpieza.

Los diferentes alimentos deben colocarse en diferentes áreas según sus propiedades.

Conservación en el compartimento congelador

- Mantenga la temperatura del congelador a -18° C.
- Los alimentos calientes deben haberse enfriado a temperatura ambiente antes de ser almacenados en el congelador.



- Los alimentos cortados en porciones pequeñas se congelarán más rápido y serán más fáciles de descongelar y cocinar. El peso recomendado para cada porción es de menos de 2,5 kg.
- Es mejor envasar los alimentos antes de introducirlos en el congelador. El exterior del embalaje debe estar seco para evitar que las bolsas se peguen. Los materiales de embalaje deben estar libres de olores y ser herméticos y atóxicos.
- Para evitar la expiración de los periodos de conservación, anote la fecha de congelación, el límite de tiempo y el nombre de los alimentos en el envase según los períodos de conservación de los diferentes alimentos.



¡ADVERTENCIA!

El ácido, la alcalinidad y la sal, etc. podrían erosionar la superficie interna del congelador.

- No coloque los alimentos que contengan estas sustancias (p.ej.: pescados marinos) directamente sobre la superficie interna. El agua salada en el congelador debe limpiarse inmediatamente.
- No supere el tiempo de almacenamiento recomendado por los fabricantes. Saque solo la cantidad necesaria de alimentos del congelador.
- Consuma rápidamente los alimentos descongelados. Los alimentos descongelados no pueden volver a congelarse a menos que se cuezan antes; de lo contrario, pueden no ser comestibles.
- No cargue cantidades excesivas de alimentos frescos en el congelador. Consulte la capacidad de congelación del congelador (Vea los DATOS TÉCNICOS o los datos de la placa).
- Los alimentos pueden almacenarse en el congelador a una temperatura mínima de -18°C de 2 a 12 meses, dependiendo de sus propiedades (p. ej. carne: 3-12 meses, verduras: 6-12 meses).
- Cuando congele alimentos frescos, evite ponerlos en contacto con alimentos ya congelados. ¡Riesgo de descongelación!

Cuando guarde alimentos congelados en tienda, siga estas directrices:

- Siempre siga las directrices de los fabricantes sobre el tiempo que debe almacenar los alimentos. ¡No exceda estas directrices!
- Trate de que el tiempo que pasa entre la compra y el almacenamiento sea el menor posible para preservar la calidad de los alimentos.
- Compre alimentos congelados que se hayan conservado a una temperatura de -18°C o menos.
- Evite comprar alimentos que tengan hielo o escarcha en el envase: esto indica que los productos podrían haber sido parcialmente descongelados y recongelados en algún punto (el aumento de la temperatura afecta a la calidad de los alimentos).

Configuración del modo Wi-Fi

PROCEDIMIENTO DE EMPAREJAMIENTO EN LA APLICACIÓN

Paso 1 • Descargue la aplicación hOn de la tienda de aplicaciones.



Paso 2 • Cree su cuenta en la aplicación hOn o inicie sesión si ya tiene una.



Paso 3 • Siga las instrucciones de emparejamiento en la aplicación hOn.

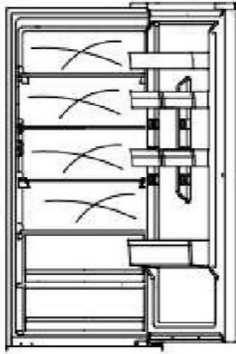


Módulo de radio - Datos técnicos

Rango de frecuencia (OFR)	2400 MHz-2843,5 MHz
Frecuencias de los canales	2412...2472 MHz (tamaño de intervalo 5 MHz)
Potencia máxima (EIRP)	100 mW

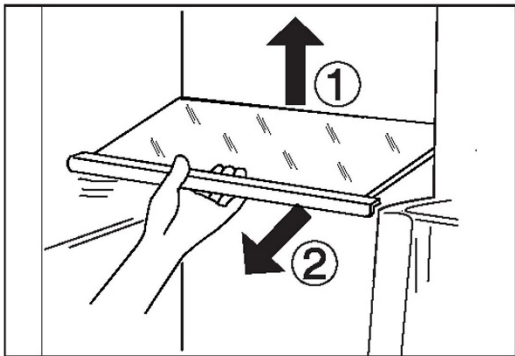
i AVISO

Debido a la existencia de diferentes modelos, es posible que su producto no tenga todas las características siguientes. Consulte el apartado Descripción del producto.



Flujo de aire múltiple

El refrigerador está equipado con un sistema de flujo de aire múltiple, con el que se aseguran corrientes de aire frío en cada nivel de estante. Esto ayuda a mantener una temperatura uniforme para asegurar que sus alimentos se mantienen frescos por más tiempo.

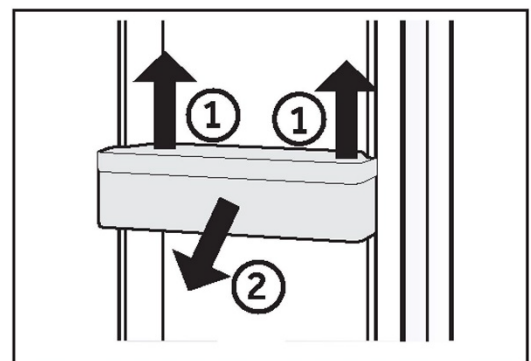


Estantes ajustables

1. La altura de los estantes se puede ajustar para adaptarse a sus necesidades de almacenamiento.
2. Para reubicar un estante, retírelo primero levantando su borde posterior (1) y extráigalo (2).
3. Para volver a instalarlo, colóquelo en los rieles de ambos lados y empuje hasta que la parte trasera del estante se fije dentro de las ranuras laterales.

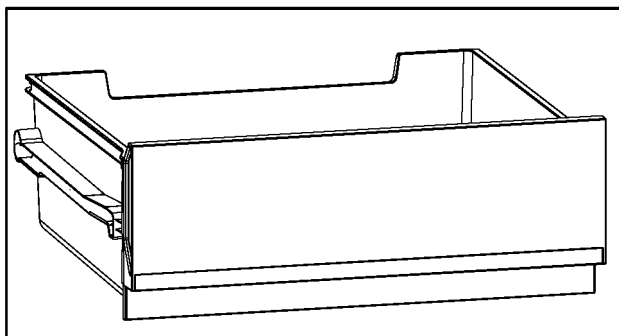
Estantes de puerta/soportes para botellas desmontables

1. Los estantes de la puerta se pueden desmontar para limpiarlos:
2. Coloque las manos en cada lado del estante, levántelo hacia arriba (1) y extráigalo (2).
3. Para insertar el estante de la puerta, realice los pasos anteriores en orden inverso.



Cajón de almacenamiento del frigorífico

Para utilizar y ajustar el compartimento frigorífico, consulte el apartado USO.



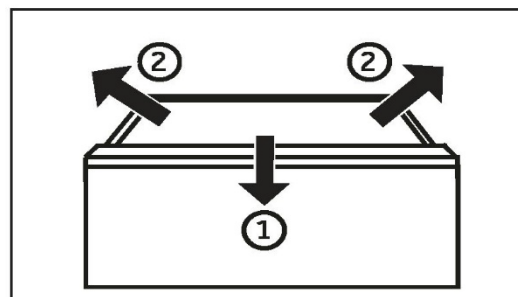
Cajón del congelador

El cajón del congelador se puede extender de forma recta y completa. Están montados en un riel telescópico de fácil desplazamiento. Así puede almacenar y extraer los alimentos congelados cómodamente. Gracias al mecanismo automático de cierre de la puerta, el manejo es fácil y puede ahorrar energía.

Cajón extraíble

Para sacar el cajón, tire al máximo ①, levante y retire ②.

Para insertar el cajón, realice los pasos anteriores en orden inverso.



¡ADVERTENCIA!

No sobrecargue los cajones: Carga máxima de cada cajón: ¡35 kg!

Luz

La luz interior LED se enciende al abrir la puerta. El rendimiento de las luces no se ve afectado por ninguna de las otras configuraciones del electrodoméstico.



Consejos de ahorro de energía

- ▶ Asegúrese de que el electrodoméstico esté bien ventilado (vea INSTALACIÓN).
- ▶ No instale el electrodoméstico bajo la luz directa del sol o cerca de fuentes de calor (p. ej.: fogones, estufas...).
- ▶ Evite una temperatura innecesariamente baja en el electrodoméstico. El consumo de energía aumenta la temperatura del electrodoméstico.
- ▶ Deje enfriar los alimentos calientes antes de introducirlos en el electrodoméstico.
- ▶ Abra la puerta del electrodoméstico lo menos y lo más brevemente posible.
- ▶ No llene en exceso el electrodoméstico para evitar obstruir la circulación de aire.
- ▶ Evite la presencia de aire dentro del embalaje de los alimentos.
- ▶ Mantenga las juntas de la puerta limpias para que la puerta se cierre siempre correctamente.
- ▶ La configuración que ahorra más energía requiere que el cajón, las fiambreras y los estantes se coloquen en el electrodoméstico según el estado de fábrica, y que los alimentos se coloquen de modo que no bloqueen la salida de aire del conducto.



¡ADVERTENCIA!

Desconecte el electrodoméstico de la fuente de alimentación antes de limpiarlo.

Limpieza

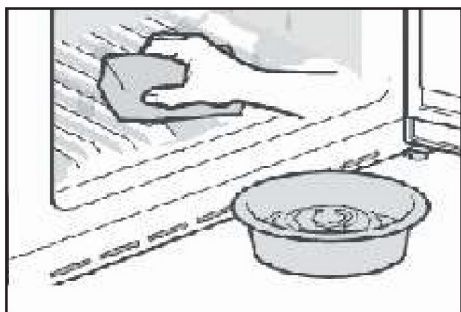
Limpie el electrodoméstico solo cuando haya pocos o ningún alimento guardado.

Este electrodoméstico debe limpiarse cada cuatro semanas para realizar un buen mantenimiento y evitar malos olores.



¡ADVERTENCIA!

- ▶ No limpie el electrodoméstico con cepillos duros, cepillos de alambre, detergente en polvo, gasolina, acetato de amilo, acetona y soluciones orgánicas similares, soluciones ácidas o alcalinas. Limpie con un detergente especial para frigoríficos para evitar daños.
- ▶ No rocíe ni enjuague el electrodoméstico durante la limpieza.
- ▶ No use agua pulverizada o vapor para limpiar el electrodoméstico.
- ▶ No limpie los estantes de cristal fríos con agua caliente. Un cambio repentino de temperatura puede causar que el cristal se rompa.
- ▶ No toque la superficie interior del compartimento del electrodoméstico, especialmente con las manos mojadas, ya que las manos pueden congelarse en la superficie.



- ▶ Mantenga siempre limpia la junta de la puerta.
- ▶ Limpie el interior y el armazón del electrodoméstico con una esponja humedecida en agua tibia y detergente neutro.
- ▶ Frote el interior y el exterior del frigorífico, incluyendo la junta de la puerta, los estantes de la puerta, los estantes de cristal, los cajones, etc., con una toalla suave o una esponja sumergida en agua caliente (se puede añadir detergente neutro).
- ▶ Si hay líquido derramado, retire todas las piezas contaminadas, enjuague directamente con agua corriente, seque y coloque las piezas de nuevo en el frigorífico.
- ▶ Si hay productos cremosos derramados (como nata, helado derretido...), retire todas las piezas contaminadas, póngalas en agua caliente a unos 40 °C durante un rato, enjuague con agua corriente, séquelas y colóquelas de nuevo en el frigorífico.
- ▶ En caso de que alguna parte o componente pequeño quede atascada dentro del frigorífico (entre las estanterías o los cajones), utilice un cepillo suave pequeño para sacarlo. Si no la alcanza, póngase en contacto con el servicio de Haier.
- ▶ Aclare y seque con un paño suave.
- ▶ No limpie ninguna de las piezas o partes de este electrodoméstico en un lavavajillas.
- ▶ Deje pasar al menos 7 minutos antes de reiniciar el electrodoméstico, ya que el arranque frecuente puede dañar el compresor.

Descongelación



La descongelación de los compartimentos frigorífico y congelador se realiza automáticamente: no se requiere ninguna operación manual.

Sustitución de las lámparas LED



¡ADVERTENCIA!

No sustituya usted mismo la lámpara LED, solo debe cambiarla el fabricante o un técnico autorizado.

Las lámparas utilizan LED como fuente de luz, con bajo consumo energético y larga vida útil. Si detecta alguna anomalía, póngase en contacto con el servicio de atención al cliente. Vea ATENCIÓN AL CLIENTE.

Parámetros de las lámparas:

Compartimento frigorífico: 12 V máx. 1,5 W

Si no se utiliza durante un período más largo

Si el electrodoméstico no se utiliza durante un período prolongado de tiempo:

Saque la comida.

Desenchufe el cable de la toma de corriente.

Limpie el electrodoméstico como se ha descrito anteriormente.

Mantenga las puertas abiertas para evitar que se generen malos olores en el interior.



AVISO

Apague el electrodoméstico solo si es estrictamente necesario.

Desplazar el electrodoméstico

1. Retire toda la comida y desenchufe el electrodoméstico.
2. Fije los estantes y otras partes móviles en el frigorífico y el congelador con cinta adhesiva.
3. No incline el frigorífico más de 45° para evitar dañar el sistema de refrigeración.



¡ADVERTENCIA!

- ▶ No levante el electrodoméstico por las asas.
- ▶ No coloque el electrodoméstico horizontalmente sobre el suelo.

Usted mismo puede resolver muchos de los problemas que puedan presentarse sin tener conocimientos específicos. En caso de que se produzca algún problema, compruebe todas las posibilidades ilustradas y siga las instrucciones pertinentes antes de ponerse en contacto con un servicio posventa. Vea ATENCIÓN AL CLIENTE.



¡ADVERTENCIA!

- ▶ Antes de realizar tareas de mantenimiento, desactive el electrodoméstico y desconecte el enchufe de la toma de corriente.
- ▶ Los equipos eléctricos solo deben ser revisados y manejados por electricistas expertos cualificados, ya que las reparaciones incorrectas pueden causar daños considerables en consecuencia.
- ▶ Si el sistema de alimentación está dañado, debe ser sustituido por el fabricante, por su servicio técnico o por cualquier profesional cualificado similar para evitar riesgos.

Problema	Causa posible	Solución posible
El compresor no funciona.	<ul style="list-style-type: none"> • El enchufe no está conectado a la toma de corriente. • El electrodoméstico está en el ciclo de descongelación 	<ul style="list-style-type: none"> • Conecte el enchufe. • Esto es normal para una descongelación automática
El electrodoméstico funciona con frecuencia o funciona durante un período de tiempo demasiado largo.	<ul style="list-style-type: none"> • La temperatura interior o exterior es demasiado alta. • El electrodoméstico ha estado apagado durante cierto de tiempo. • Una puerta del electrodoméstico no está bien cerrada. • La puerta se ha abierto con demasiada frecuencia o durante mucho tiempo. • El ajuste de temperatura del compartimento congelador es demasiado bajo. 	<ul style="list-style-type: none"> • En este caso, es normal que el electrodoméstico funcione más tiempo. • Normalmente, lleva de 8 a 12 horas que el electrodoméstico se enfríe completamente. • Cierre la puerta/cajón y asegúrese de que el electrodoméstico esté ubicado sobre una superficie plana y que no haya alimentos o recipientes que impidan que la puerta se cierre bien. • No abra la puerta/cajón con demasiada frecuencia. • Ajuste una temperatura más alta hasta obtener una temperatura satisfactoria para el frigorífico. Se necesitan 24 horas para que la temperatura del frigorífico se mantenga estable.



Problema	Causa posible	Solución posible
	<ul style="list-style-type: none"> • La junta de la puerta está sucia, desgastada, agrietada o desaparejada. • La circulación de aire requerida no está garantizada. 	<ul style="list-style-type: none"> • Limpie la junta de la puerta/cajón o pídale al servicio de atención al cliente que la cambie. • Garantice una ventilación adecuada.
El interior del frigorífico está sucio y/o huele mal.	<ul style="list-style-type: none"> • El interior del frigorífico necesita limpieza. • Hay alimentos de olor fuerte guardados en el frigorífico. 	<ul style="list-style-type: none"> • Limpie el interior del frigorífico. • Envuelva bien los alimentos.
La temperatura del interior del electrodoméstico no es lo suficientemente fría.	<ul style="list-style-type: none"> • La temperatura establecida es demasiado alta. • Se han almacenado alimentos demasiado calientes. • Se ha almacenado demasiada comida a la vez. • Los alimentos están demasiado cerca entre sí. • Una puerta/cajón del electrodoméstico no está bien cerrada. • La puerta/cajón se ha abierto con demasiada frecuencia o durante mucho tiempo. 	<ul style="list-style-type: none"> • Restablezca la temperatura. • Enfríe siempre los alimentos antes de guardarlos. • Guarde siempre pequeñas cantidades de alimentos. • Deje un espacio entre varios alimentos para permitir que el aire fluya. • Cierre la puerta/cajón. • No abra la puerta/cajón con demasiada frecuencia.
La temperatura del interior del electrodoméstico es demasiado fría.	<ul style="list-style-type: none"> • La temperatura establecida es demasiado baja. 	<ul style="list-style-type: none"> • Restablezca la temperatura.
Formación de humedad en el interior del compartimento frigorífico.	<ul style="list-style-type: none"> • El ambiente es demasiado cálido y demasiado húmedo. • Una puerta/cajón del electrodoméstico no está bien cerrada. • La puerta/cajón se ha abierto con demasiada frecuencia o durante mucho tiempo. • Hay recipientes de alimentos o líquidos abiertos. 	<ul style="list-style-type: none"> • Aumente la temperatura. • Cierre la puerta/cajón. • No abra la puerta/cajón con demasiada frecuencia. • Deje que los alimentos calientes se enfríen a temperatura ambiente y cubra los alimentos y líquidos.



Problema	Causa posible	Solución posible
Se acumula humedad fuera de la superficie o entre las puertas/puerta y cajón.	<ul style="list-style-type: none">• El ambiente es demasiado cálido y demasiado húmedo.• La puerta no está bien cerrada. Hay aire frío dentro del electrodoméstico y aire caliente en el exterior, y se produce condensación.	<ul style="list-style-type: none">• Esto es normal en un ambiente húmedo y cambiará cuando la humedad disminuya.• Asegúrese de que la puerta/cajón está bien cerrada.
Hay mucho hielo y escarcha en el compartimento congelador.	<ul style="list-style-type: none">• Los alimentos no están correctamente embalados.• Una puerta/cajón del electrodoméstico no está bien cerrada.• La puerta/cajón se ha abierto con demasiada frecuencia o durante mucho tiempo.• La junta de la puerta/cajón está sucia, desgastada, agrietada o desaparejada.• Algo en el interior impide que la puerta/cajón se cierren correctamente.	<ul style="list-style-type: none">• Embale bien los alimentos.• Cierre la puerta/cajón.• No abra la puerta/cajón con demasiada frecuencia.• Limpie la junta de la puerta/cajón o cámbiela por una nueva.• Vuelva a colocar los estantes, estantes de la puerta o contenedores internos para permitir que la puerta/cajón se cierre.
Los lados del frigorífico y la tira de la puerta se calientan.	<ul style="list-style-type: none">• -	<ul style="list-style-type: none">• Esto es normal.
El electrodoméstico hace sonidos anormales.	<ul style="list-style-type: none">• El electrodoméstico no está ubicado sobre una superficie plana.• El electrodoméstico toca algún objeto a su alrededor.	<ul style="list-style-type: none">• Ajuste las patas para nivelar el electrodoméstico.• Retire los objetos que haya alrededor del electrodoméstico.
Se oye un ligero sonido similar al del flujo de agua.	<ul style="list-style-type: none">• -	<ul style="list-style-type: none">• Esto es normal.
Oirá un pitido de alarma.	<ul style="list-style-type: none">• La puerta del compartimento frigorífico está abierta.	<ul style="list-style-type: none">• Cierre la puerta.
Oirá un débil zumbido.	<ul style="list-style-type: none">• El sistema anticorrosión está en marcha	<ul style="list-style-type: none">• Esto evita la condensación y es normal



Problema	Causa posible	Solución posible
El sistema de iluminación o refrigeración interior no funciona.	<ul style="list-style-type: none"> • Está en modo demo 	<ul style="list-style-type: none"> • El frigorífico está enchufado a la corriente y la puerta está abierta. • Mantenga pulsado el botón K1 y pulse el botón K2 cinco veces, entonces el icono dejará de iluminarse circularmente.
El sistema de iluminación o refrigeración interior no funciona.	<ul style="list-style-type: none"> • El enchufe no está conectado a la toma de corriente. • La fuente de alimentación presenta alguna alteración. • La lámpara LED no funciona. 	<ul style="list-style-type: none"> • Conecte el enchufe. • Compruebe el suministro eléctrico a la habitación. Llame a la compañía eléctrica local. • Llame al servicio técnico para cambiar la lámpara.

Para ponerse en contacto con el servicio de asistencia técnica, visite nuestro sitio web: <https://corporate.haier-europe.com/en/>

En la sección "website", elija la marca de su producto y su país. Se le redirigirá a la página web específica donde podrá encontrar el número de teléfono y el formulario para ponerse en contacto con el servicio de asistencia técnica.

Interrupción del suministro

En caso de un corte de luz, los alimentos deberían permanecer frescos y a salvo durante 5 horas. Siga estos consejos durante una interrupción prolongada del suministro, especialmente en verano:

- ▶ abra la puerta/cajón lo menos posible.
- ▶ No introduzca más alimentos en el electrodoméstico durante un corte de luz.
- ▶ Si se da el aviso previo de un corte de luz y la duración de la interrupción es superior a 5 horas, fabrique algo de hielo y póngalo en un recipiente en la parte superior del compartimento frigorífico.
- ▶ Inmediatamente después de la interrupción, es necesario llevar a cabo una inspección de los alimentos.
- ▶ Como la temperatura del frigorífico subirá durante una interrupción del suministro eléctrico u otro fallo, el período de conservación y la calidad comestible de los alimentos se reducirán. Cualquier alimento que se descongele debe consumirse, o bien cocinarse y volver a congelarse (cuando proceda) rápidamente para evitar riesgos para la salud.

Función de memoria durante el corte de luz

En cuanto vuelva la luz, el electrodoméstico restablecerá los ajustes establecidos antes del corte de luz.

Desempaquetado



¡ADVERTENCIA!

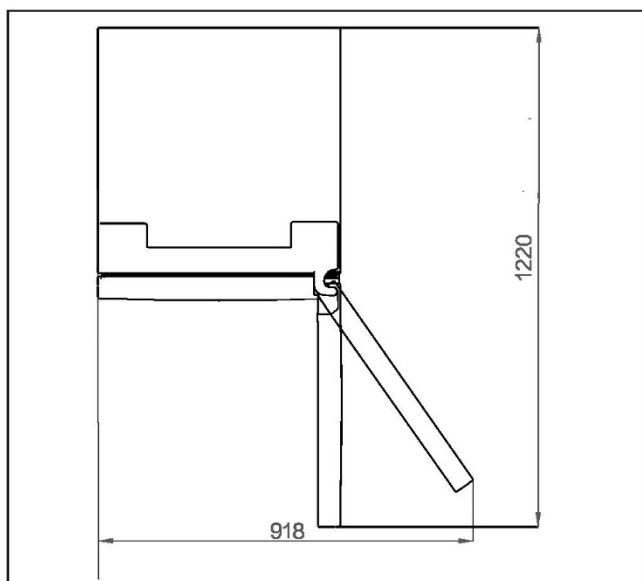
- ▶ Este es un electrodoméstico pesado. Manipúlelo con la ayuda de otra persona.
- ▶ Mantenga todo el material de embalaje fuera del alcance de los niños y deséchelo de forma respetuosa con el medio ambiente.
- ▶ Saque el electrodoméstico de su embalaje.
- ▶ Retire todos los materiales de embalaje.

Condiciones ambientales

La temperatura ambiente debe estar siempre entre 10 °C y 43 °C para este frigorífico, por ejemplo, CNCQ2T620EX, CNCQ2T620EW, CNCQ2T618EX, CNCQ4T618EW o CNCQ4T618EB; o bien la temperatura ambiente debe estar siempre entre 10 °C y 38 °C para este frigorífico, por ejemplo, CNCQ4T620DX o CNCQ4T620DW, ya que puede influir en la temperatura interior del aparato y en su consumo energético. No instale el electrodoméstico cerca de otros electrodomésticos emisores de calor (hornos, neveras) sin aislamiento.

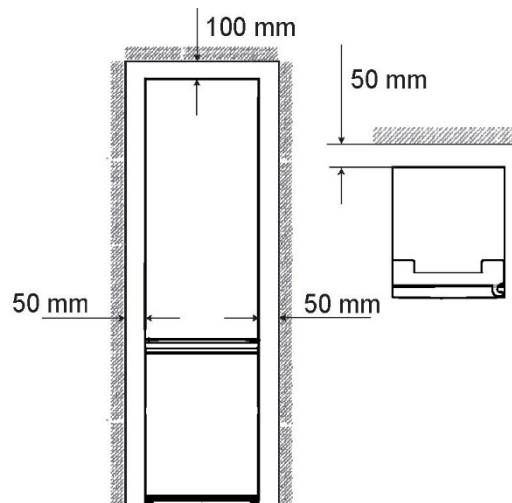
Requisitos de espacio

Espacio recomendado con la puerta



Sección cruzada de ventilación

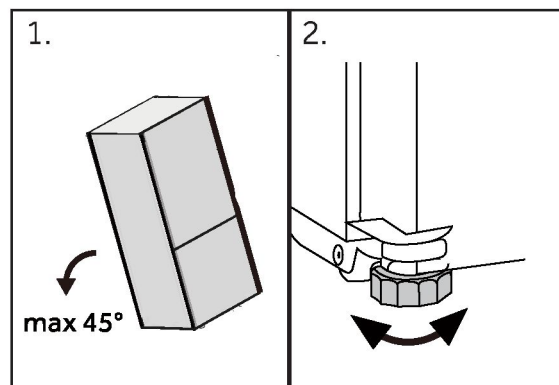
Para lograr una ventilación suficiente del aparato por razones de seguridad, se recomienda observar la información de las secciones transversales de ventilación.

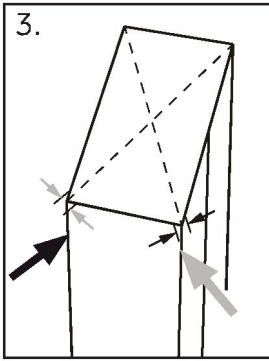


Alineación del aparato

Este electrodoméstico debe colocarse sobre una superficie plana y sólida.

1. Incline el frigorífico ligeramente hacia atrás.
 2. Ajuste las patas al nivel deseado.
- Asegúrese de que la distancia a la pared del lado de la bisagra sea de al menos 100 mm para que la puerta se abra correctamente.



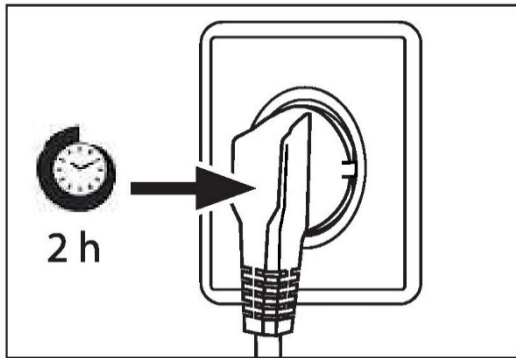


1. Puede comprobarse la estabilidad golpeando alternativamente las diagonales. El ligero bamboleo debe ser el mismo en ambas direcciones. De lo contrario, el marco puede deformarse y resultar en fugas en las juntas de la puerta. Una ligerísima inclinación hacia atrás facilita el cierre de las puertas.



AVISO

Para un electrodoméstico independiente: este electrodoméstico de refrigeración no está diseñado para ser utilizado como un electrodoméstico integrado.



Tiempo de espera

El aceite de lubricación sin mantenimiento se encuentra en la cápsula del compresor. Este aceite puede pasar por el sistema de tuberías cerradas durante el transporte si el electrodoméstico está inclinado. Antes de conectar el electrodoméstico a la fuente de alimentación, espere al menos 2 horas para que el aceite vuelva a entrar en la cápsula.

Conexión eléctrica

Antes de cada conexión, compruebe si:

- ▶ La fuente de alimentación, la toma de corriente y el fusible son adecuados para la placa de clasificación.
- ▶ La toma de corriente tiene conexión a tierra y no tiene múltiples contactos ni extensiones.
- ▶ El enchufe y la toma de corriente encajan perfectamente.

Conecte el enchufe a una toma de corriente doméstica correctamente instalada.



¡ADVERTENCIA!

Para evitar riesgos, solo el servicio de atención al cliente debe reemplazar un cable de alimentación dañado (ver tarjeta de garantía).

Reversibilidad de la puerta

Antes de conectar el electrodoméstico a la fuente de alimentación, debe comprobar si la apertura de la puerta debe cambiar de derecha (por defecto) a izquierda por la ubicación de instalación y la facilidad de uso.

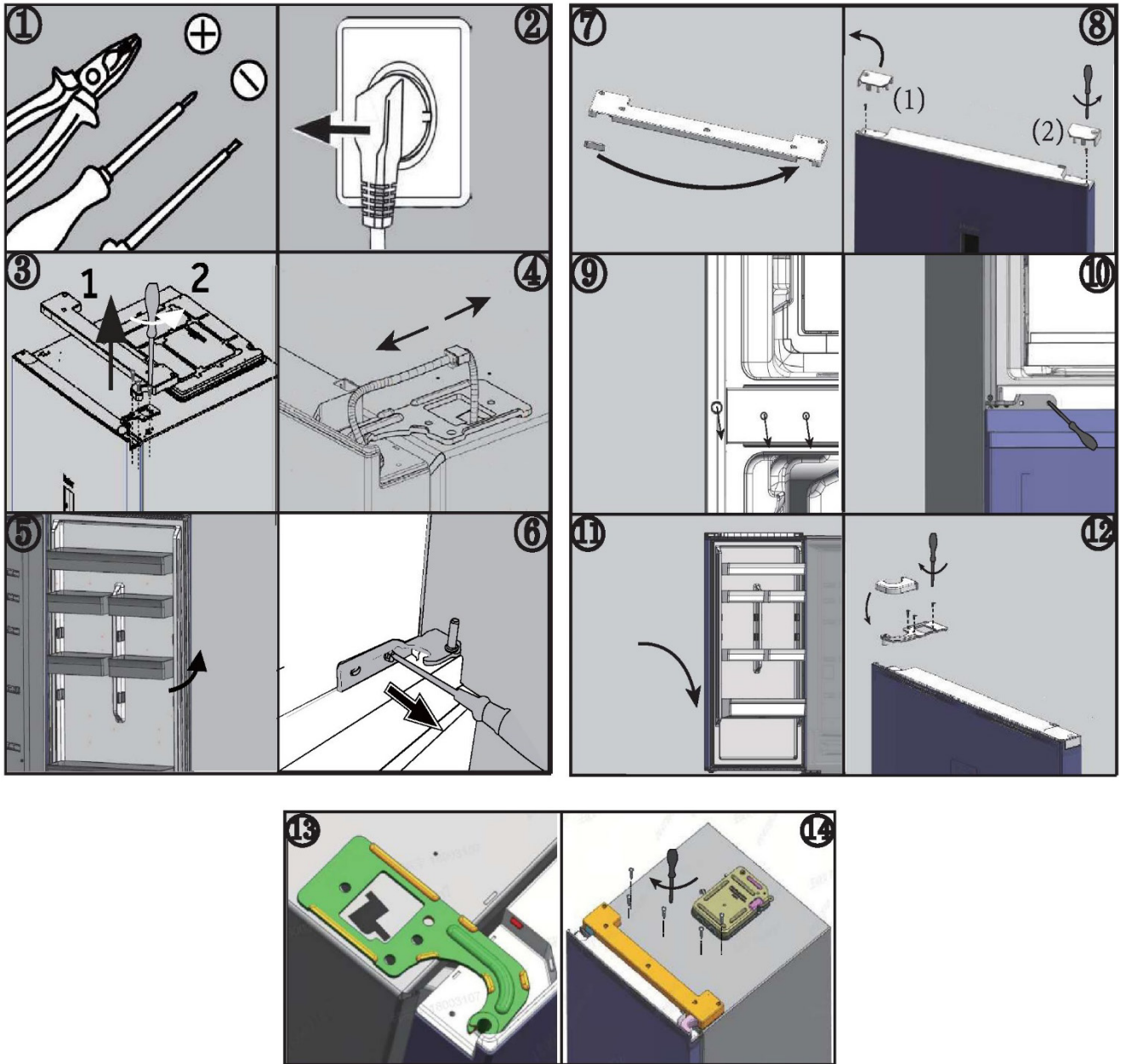


¡ADVERTENCIA!

- ▶ Este es un electrodoméstico pesado. Se necesitan dos personas para cambiar la reversibilidad de la puerta.
- ▶ Antes de realizar cualquier operación, desenchufe el electrodoméstico de la red eléctrica.
- ▶ No incline el electrodoméstico más de 45° para evitar daños en el sistema de refrigeración.

Pasos de montaje

1. Consiga las herramientas necesarias.
 2. Desenchufe el electrodoméstico.
 3. Retire la tapa superior de la bisagra 1 y desenrosque la bisagra superior (tres tornillos) a la derecha 2.
 4. Retire cuidadosamente la puerta del frigorífico suelta de la bisagra del medio.
 5. Retire la bisagra central.
 6. Retire la pequeña tapa del panel frontal de izquierda a derecha.
 7. Dé la vuelta a la puerta y desenrosque la tapa (1). Saque la nueva tapa (2) de la bolsa necesaria y atorníllela al lado opuesto.
 8. Cambie las posiciones de los tapones y el tornillo en el lateral.
 9. Atornille la bisagra del medio al lado izquierdo del aparato. Preste atención a invertir el pivote de la bisagra central, asegurándose de que el lado con la junta quede hacia arriba.
 10. Levante con cuidado la puerta superior sobre la bisagra del medio. Asegúrese de que el pivote encaja en el cuerpo de la bisagra de la puerta inferior.
 11. Saque la nueva bisagra superior y la cubierta de la bisagra de la bolsa de accesorios. Fije la bisagra superior con tres tornillos en el lado izquierdo del aparato. Ponga cubierta de la bisagra sobre la bisagra.
 12. Vuelva a colocar el panel frontal y fíjelo con cinco tornillos.
- Después del cambio de la puerta, compruebe si las juntas de la puerta están bien colocadas en la carcasa y todos los tornillos están bien apretados.



Temperaturas ambiente

Templada extendida: este aparato de refrigeración está destinado a ser utilizado a una temperatura ambiente comprendida entre 10 °C y 32 °C.

Templada: este electrodoméstico de refrigeración está destinado a ser utilizado a una temperatura ambiente comprendida entre 16 °C y 32 °C.

Subtropical: este aparato de refrigeración está destinado a ser utilizado a una temperatura ambiente comprendida entre 16 °C y 38 °C.

Tropical: este aparato de refrigeración está destinado a ser utilizado a una temperatura ambiente comprendida entre 16 °C y 43 °C.

Parámetros del producto conforme al Reglamento (UE)2019/2016

Basado en los resultados de la prueba estándar de 24 horas. El consumo de energía real dependerá de la ubicación y del modo de uso del electrodoméstico.

Modelo	CNCQ4T620EW CNCQ4T620EX CNCQ4T620EB	CNCQ4T620DX CNCQ4T620DW	CNCQ4T620CX
Tipo de electrodoméstico frigorífico	Frigorífico-congelador	Frigorífico-congelador	Frigorífico-congelador
Clase de eficiencia energética	E	D	C
Consumo anual de energía (kWh/año)	279	223	178
Volumen del compartimento frigorífico (L)	289	289	289
Volumen del congelador (L)	120	120	120
Clase de congelación	4 estrellas	4 estrellas	4 estrellas
Tipo de descongelación	Descongelación automática	Descongelación automática	Descongelación automática
Tiempo de aumento de la temperatura (h)	11	11	13
Capacidad de congelación (kg/24 h)	10	10	10
Clase climática	SN.N.ST	SN.N.ST.T	SN.N.ST.T



Modelo	CNCQ4T618DX	CNCQ4T618EW CNCQ4T618EX CNCQ4T618EB
Tipo de electrodoméstico frigorífico	Frigorífico-congelador	Frigorífico-congelador
Clase de eficiencia energética	D	E
Consumo anual de energía (kWh/año)	216	270
Volumen del compartimento frigorífico (L)	235	235
Volumen del congelador (L)	120	120
Clase de congelación	4 estrellas	4 estrellas
Tipo de descongelación	Descongelación automática	Descongelación automática
Tiempo de aumento de la temperatura (h)	11	11
Capacidad de congelación (kg/24 h)	10	10
Clase climática	SN.N.STT	SN.N.ST

Explicaciones:

- Sí
- (1) Basado en los resultados de la prueba de conformidad normativa durante 24 horas. El consumo real depende del uso y de la ubicación del electrodoméstico.
 - (2) Calificación climática SN: Este electrodoméstico está diseñado para ser utilizado a una temperatura ambiente comprendida entre + 10 °C y +32 °C
 Calificación climática N: Este electrodoméstico está diseñado para ser utilizado a una temperatura ambiente comprendida entre + 16 °C y +32 °C
 Calificación climática ST: Este electrodoméstico está diseñado para ser utilizado a una temperatura ambiente comprendida entre + 16 °C y +38 °C
 Calificación climática T: Este electrodoméstico está diseñado para ser utilizado a una temperatura ambiente comprendida entre + 16 °C y +43 °C

Datos técnicos adicionales

Modelo	CNCQ4T620EW CNCQ4T620EX CNCQ4T620EB	CNCQ4T620DX CNCQ4T620DW	CNCQ4T618EW CNCQ4T618EX CNCQ4T618EB
Volumen total (L)	409	409	355
Voltaje/Frecuencia	220~240V/50Hz	220~240V/50Hz	220~240V/50Hz
Corriente clasificada (A)	0,9	1,4	0,9
Fusible principal (A)	15	15	15
Refrigerante	R600a(53g)	R600a(53g)	R600a(53g)
Dimensiones (A/P/A en mm)	595*667*2050	595*667*2050	595*667*1850

Modelo	CNCQ4T620CX	CNCQ4T618DX
Volumen total (L)	409	355
Voltaje/Frecuencia	220~240V/50Hz	220~240V/50Hz
Corriente clasificada (A)	1,4	1,4
Fusible principal (A)	15	15
Refrigerante	R600a (50g)	R600a(53g)
Dimensiones (A/P/A en mm)	595*667*2050	595*667*1850



Recomendamos nuestro Servicio de atención al cliente Haier y el uso de repuestos originales.

Si tiene algún problema con su electrodoméstico, compruebe primero la sección SOLUCIÓN DE PROBLEMAS.

Si no encuentra una solución allí, póngase en contacto con

- ▶ su distribuidor local o
- ▶ nuestro Centro europeo de atención al cliente (ver números de teléfono listados abajo) o
- ▶ el área de servicio y asistencia en www.haier.com, donde puede activar la
- ▶ solicitud de servicio y encontrar las Preguntas frecuentes.

Para ponerse en contacto con nuestro Servicio, asegúrese de tener los siguientes datos disponibles.

Puede encontrar la información en la placa de datos.

Modelo _____

N.º de serie _____

Compruebe también la tarjeta de garantía suministrada con el producto en caso de garantía.

Centro europeo de atención al cliente		
País*	Número de teléfono	Costes
Haier Italy (IT)	199 100 912	
Haier Spain (ES)	902 509 123	
Haier Germany (DE)	0180 5 39 39 99	<ul style="list-style-type: none"> • 14 ct/min teléfono fijo • máx. 42 ct/min móvil
Haier Austria (AT)	0820 001205	<ul style="list-style-type: none"> • 14,53 ct/min teléfono fijo • máx. 20 ct/min el resto
Haier United Kingdom (UK)	0333 003 8122	
Haier France (FR)	0980 406 409	



*Para otros países, consulte www.haier.com

Haier Europe Trading S.r.l

Sucursal Reino Unido

Westgate House, Westgate, Ealing

Londres, W5 1YY

*Duración de la garantía del electrodoméstico de refrigeración:

La garantía mínima es de: 2 años para los países de la UE, 3 años para Turquía, 1 año para el Reino Unido, 1 año para Rusia, 3 años para Suecia, 2 años para Serbia, 5 años para Noruega, 1 año para Marruecos, 6 meses para Argelia, Túnez sin garantía legal, al no requerirse.

*El período de piezas de repuesto para la reparación del aparato:

Los termostatos, los sensores de temperatura, las placas de circuito impresas y las fuentes de luz están disponibles durante un período mínimo de 7 años después de la comercialización de la última unidad del modelo.

Las asas, bisagras, bandejas y cestas lo están durante un período mínimo de 7 años, y las juntas durante un período mínimo de 10 años después de la comercialización de la última unidad del modelo.

*Para más información sobre el producto, consulte <https://eprel.ec.europa.eu/> o escanee el código QR en la etiqueta energética suministrada con el electrodoméstico.

<u>5 Ohutusteave</u>	Enne esmakordset kasutamist	6
	Paigaldamine	6
	Igapäevane kasutus	7
<u>10 Kasutusotstarve</u>		
<u>11 Toote kirjeldus</u>		
<u>13 Juhtpaneel</u>		
<u>14 Kasutamine</u>	Külmiku temperatuuri reguleerimine	15
	Sügavkülmiku temperatuuri reguleerimine	15
	Super Freeze funktsioon	15
	Super Cool funktsioon	16
	Funktsioon Fresh 0°C	15
<u>20 Seadmed</u>		
<u>22 Energiasäästu nõuanded</u>		
<u>23 Hooldus ja puhastamine</u>		
<u>25 Veaotsing</u>		
<u>29 Paigaldamine</u>		
<u>33 Tehnilised andmed</u>		
<u>36 Klienditeenindus</u>		
	Üksikasjaliku teabe vaatamiseks klõpsa sisu.	



Täname, et ostsite Candy toote.

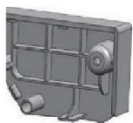
Enne seadme kasutuselevõttu lugege see juhend hoolikalt läbi. Juhend sisaldab olulist teavet, mis aitab tagada seadme optimaalset funktsioonivõimet ning selle paigaldamise, kasutamise ja hoolduse ohutust ja nõuetekohasust.

Hoidke kasutusjuhendit käepärases kohas, et saaksite seda seadme ohutut ja nõuetekohast kasutamist puudutavate suuniste kontrollimiseks vaadata.

Kui peaksite seadme maha müüma, selle ära andma või kolimise korral endisesse elukohta jätma, andke uuele omanikule kindlasti ka kasutusjuhend, et ta saaks seadme ja ohutusalaste hoiatustega tutvuda.

Tarvikud

Kontrollige alljärgneva loendi alusel tarvikuid ja dokumentatsiooni.



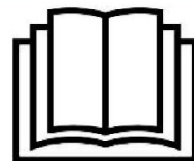
Korgi sisend



Energiamärgis



Garantiikaart



Lühijuhend



Uksehinged



Hingekate



HOIATUS - oluline ohutusteave



Tähelepanu - üldine teave ja nõuanded



Keskkonnateave

Utiliseerimine



Andke keskkonna ja inimeste tervise kaitsmisel oma panus. Pange pakendi komponendid ringlussevõtuks ette nähtud konteineritesse. Järgige elektri- ja elektroonikaseadmete romude ringlussevõtule kohalduvaid nõudeid. Osutatud sümboliga tähistatud seadmeid ei tohi olmejäätmete hulka visata. Viige toode piirkondlikku ringlussevõtujaama või võtke ühendust kohaliku omavalitsuse asjaomase allüksusega.



HOIATUS!

Vigastuste või lämbumise oht!

Kõrvaldamisel tuleb järgida külmutusagensitele ja jahutusgaasidele kohalduvaid spetsiifilisi nõudeid. Enne nõuetekohast kõrvaldamist veenduge, et külmutusagensi kontuuri torustik ei ole kahjustunud. Ühendage seade vooluvõrgust lahti. Lahutage toitekaabel ja kõrvaldage see. Eemaldage alused, sahtlid, ukseulgur ja tihendid, et vältida laste ning lemmikloomade seadmesse kinnijäämist.



Enne seadme esmakordset sisselülitamist tutvuge alljärgnevate ohutuslaste nõuannetega.



HOIATUS!

Enne esmakordset kasutamist

- ▶ Kontrollige toodet transpordikahjustuste suhtes.
- ▶ Eemaldage kõik pakendi komponendid ja hoidke neid lastele kättesaamatus kohas.
- ▶ Enne seadme paigaldamist oodake vähemalt kaks tundi, et külmutusagensi kontuur oleks seadme sisselülitamiseks valmis.
- ▶ Seadet peab teisaldama vähemalt kaks inimest, sest see on raske.

Paigaldamine

- ▶ Seade tuleb paigutada korraliku ventilatsiooniga kohta. Seadme kohale ja külgedele peab jääma vähemalt 10 cm vaba ruumi.
- ▶ Seadet ei tohi paigutada niiskesse kohta ega nii, et sellele võiksid sattuda veepritsmed. Kasutage veepritsmete ja plekkide eemaldamiseks ning seadme kuivatamiseks puhast pehmet riidelappi.
- ▶ Ärge paigutage seadet otsese päikesevalguse kätte ega soojusallikate (näiteks ahju või kütteseadme) lähedusse.
- ▶ Seade tuleb paigaldada ja nivelleerida kohas, mis on seadme mõõtmetele vastav ning seadme kasutamiseks sobiv.
- ▶ Jälgige, et seadme või integreeritud konstruktsiooni ventilatsiooniavad ei oleks blokeeritud.
- ▶ Veenduge, et andmesildil välja toodud elektrilised parameetrid on toiteallikaga vastavuses. Lahknevuste korral võtke ühendust elektrikuga.
- ▶ Seadme toiteallikas peab vastama järgmistele parameetritele: 220–240 VAC / 50 Hz. Pinge anomaalse kõikumisega võib kaasneda seadme mittekäivitumine, temperatuuriregulaatori või kompressori kahjustumine või seadme käitamisaegne tavatu müra. Sellisel juhul tuleb paigaldada automaatregulaator.
- ▶ Ärge kasutage mitme pistikuga adaptereid ega pikendusjuhtmeid.
- ▶ Jälgige, et seadme taha ei jääks portatiivseid mitmikpistikupesasid ega teisaldatavaid toiteallikaid.
- ▶ Jälgige, et toitekaabel ei saaks külmkappi takerduda. Ärge astuge toitekaablile.



HOIATUS!

- ▶ Toitevarustuse tagamiseks tuleb kasutada eraldiseisvat maandatud pistikupesast, mis on hõlpsalt ligipääsetav. Seade peab olema maandatud.
Ainult Ühendkuningriigis: seadme toitekaablil on kolmejuhtmeline (maandusega) pistik, mis on ette nähtud ühendamiseks standardse kolmejuhtmeline (maandusega) pistikupesaga. Kolmandat kontakti (maandust) ei tohi ära lõigata ega demonteerida. Pistik peab pärast seadme paigaldamist ligipääsetav olema.
- ▶ Jälgige, et külmutusagensi kontuur ei saaks kahjustada.

Igapäevane kasutamine

- ▶ Lapsed alates 8. eluaastast ning piiratud füüsiliste, sensoorsete või vaimsete võimetega või väheste kogemuste ja teadmistega isikud võivad seadet kasutada üksnes järelevalvel või kui neid on juhendatud seadme ohutu kasutamise osas ning nad mõistavad seadme kasutamisega seotud ohte.
- ▶ 3–8-aastased lapsed võivad seadmetesse sööke-jooke panna ja neid sealt võtta, kuid neil ei ole lubatud külmutusseadmeid puhastada ega paigaldada.
- ▶ Hoidke alla 3-aastased lapsed seadmest eemal, välja arvatud juhul, kui neid pidevalt jälgitakse.
- ▶ Lapsed ei tohi seadmega mängida.
- ▶ Kui seadme läheduses lekib jahutusgaasi või muud kergesti süttivat gaasi, lülitage lekkiva gaasi klapp välja, avage uksed ja aknad ning ärge lahutage külmkapi ega ühegi muu seadme toitekaablit.
- ▶ Pange tähele, et seade, näiteks CNCQ4T620EX, CNCQ4T620EW, CNCQ4T618EX, CNCQ4T618EW, CNCQ4T618EB, on seadistatud töötama teatud ümbritseva õhu temperatuurivahemikus 10 °C kuni 38 °C. Seade ei pruugi nõuetekohaselt töötada, kui see on pikemat aega temperatuuril, mis on osutatud vahemikust kõrgem või madalam.
- ▶ Pange tähele, et seade, näiteks CNCQ4T620DX, CNCQ4T620DW, CNCQ4T620CX, on seadistatud töötama teatud ümbritseva õhu temperatuurivahemikus 10 °C kuni 43 °C. Seade ei pruugi nõuetekohaselt töötada, kui see on pikemat aega temperatuuril, mis on osutatud vahemikust kõrgem või madalam.
- ▶ Ärge asetage külmkapile ebastabiilseid esemeid (näiteks raskeid esemeid või veega täidetud anumaid), et vältida eseme kukumisega kaasnevat kehavigastusi või veega kokkupuutest tingitud elektrilööki.
- ▶ Ärge tõmmake ukseriulitest. Uks võib viltu vajuda, pudeliriul võib eemalduda või seade võib ümber kukkuda.



HOIATUS!

- ▶ Ärge hoidke ega kasutage seadmes ega selle läheduses kergsüttivaid, plahvatusohtlikke või söövitavaid aineid.
- ▶ Ärge hoidke seadmes ravimeid, baktereid ega keemilisi aineid. Seade on mõeldud kasutamiseks kodukeskkonnas. Selles ei ole soovitatav hoida aineid, mille säilitamisele kohalduvad ranged temperatuurinõuded.
- ▶ Ärge hoidke sügavkülmikus gaseeritud karastusjooke, karboniseeritud nõrgalt alkohoolseid jooke ega vedelikega täidetud klaaspudeleid või plekkpurke, sest need lõhkevad külmudes (erandiks on kange alkohol).
- ▶ Kui sügavkülmik on mingil põhjusel soojenenud, kontrollige selles olnud toidu seisundit.
- ▶ Ärge seadistage külmiku kambri temperatuuri tarbetult madalaks. Kõrgete sätete korral võib esineda miinustemperatuure. Tähelepanu! Pudelikud võivad lõhkeda.
- ▶ Ärge puudutage külmutatud toiduaineid märgade kätega (kasutage kindaid). Pulgajäästist ei tohiks süüa kohe pärast selle sügavkülmikust välja võtmist. Kohaldub kinnikülmumise, külmakahjustuste ja külmavillide oht. ESMAABI: pange kinnikülmunud esemega piirkond kohe jooksva külma vee alla. Ärge tõmmake kinnikülmunud eset jõuga lahti.
- ▶ Ärge puudutage töötava sügavkülmiku kambri sisepinda, sest käed võivad kambri sisepinna külge jääda. Eriti suur on oht siis, kui käed on märjad.
- ▶ Voolukatkestuse korral või enne puhastamist lahutage seade vooluvõrgust. Enne seadme taaskäivitamist oodake vähemalt 7 minutit, kuna sagedane käivõtmine võib kompressorit kahjustada.
- ▶ Ärge kasutage külmkapi toiduainete hoiualades elektriseadmeid, kui nende tüüp ei ole vastavuses tootjapoolsete soovitustega.
Hooldus/puhastamine
- ▶ Kui külmkapi puhastus- ja hooldustoiminguid teevad lapsed, tuleb neid kindlasti jälgida.
- ▶ Enne korralist hooldust lahutage seade vooluvõrgust. Enne seadme taaskäivitamist oodake vähemalt viis minutit, sest sagedane käivõtmine võib kompressorit kahjustada.
- ▶ Seadme paigutamisel veenduge, et toitekaabel poleks kuhugi kinni jäänud ega kahjustunud.
- ▶ Jälgige, et seadme taha ei jääks portatiivseid mitmikpistikupesasid ega teisaldatavaid toiteallikaid.
- ▶ Ärge kasutage külmkapi toiduainete hoiualades elektriseadmeid, kui nende tüüp ei ole vastavuses tootjapoolsete soovitustega.
- ▶ Ärge hoidke seadmes plahvatusohtlikke aineid, näiteks tuleohtliku propellendiga aerosoolpurke.



HOIATUS!

- ▶ Seadme vooluvõrgust lahutamisel hoidke pistikust, mitte kaablist.
- ▶ Seadme puhastamisel ei tohi kasutada abrasiivset harja, traatkäsna, pesuvahendi pulbrit, bensiini, amüülatsetaati, atsetooni, sarnaseid orgaanilisi lahuseid ega happelisi või leeliselisi lahuseid. Kahjustuste vältimiseks kasutage spetsiaalset külmkapi puhastusvahendit.
- ▶ Ärge kraapige härmatist ja jääd teravate esemetega. Plastosade kahjustuste vältimiseks ärge kasutage pihusteid või elektrilisi soojendusseadmeid, näiteks kuumutit, fööni, aurupuhastit ega muid soojusallikaid.
- ▶ Ärge kasutage sulamisprotsessi kiirendamiseks mehaanilisi vahendeid ega seadmeid, kui tootja ei ole neid selleks otstarbeks soovitanud.
- ▶ Kui toitekaabel on kahjustunud, peab ohtude minimeerimiseks selle välja vahetama tootja, tootja volitatud hooldustehnik või sarnase kvalifikatsiooniga spetsialist.
- ▶ Ärge proovige seadet ise parandada, lahti võtta ega modifitseerida. Remondi korral võtke palun ühendust meie klienditeenindusega.
- ▶ Eemaldage seadme tagaküljelt tolm vähemalt kord aastas, et vältida tuleohtu ja energiatarbimise suurenemist.
- ▶ Ärge pihustage ega loputage seadet puhastamise ajal.
- ▶ Ärge kasutage seadme puhastamiseks veepihustit ega auru.
- ▶ Ärge puhastage külmi klaasriiuleid kuuma veega. Järsk temperatuurimuutus võib põhjustada klaasi purunemise.

Külmutusagensit puudutav teave



HOIATUS!

Seadmes on tuleohtlik külmutusagens isobutaan (R600a). Veenduge, et külmutusagensi kontuur ei oleks transpordi või paigaldamise ajal kahjustunud. Lekkiv külmutusagens võib põhjustada silmavigastusi või süttida. Kahjustuse korral hoidke tuleallikad eemal, ventileerige ruum põhjalikult, ärge ühendage ega lahutage seadme või ühegi muu seadme toitejuhtmeid. Teavitage juhtunust klienditeenindust.

Kui külmutusagens peaks sattuma silmadesse, loputage silmi viivitamatult voolava vee all ja võtke kohe ühendust silmaarstiga.

Seade on mõeldud toiduainete jahutamiseks ja külmutamiseks. See on ette nähtud kasutamiseks kodumajapidamises ja sarnastes kasutuskeskkondades, näiteks kaupluste, kontorite ja tööruumide kööginurkades, talumajapidamistes, hotelli- ja motelitubades ning majutusasutustes, külalistemajades ja toitlustusettevõtetes. See ei ole mõeldud kaubanduslikuks ega tööstuslikuks kasutuseks.

Seadme muutmine või modifitseerimine ei ole lubatud. Kavandatust erinev kasutamine võib endas ohte kätkeada ja garantii tühistada.

Standardid ja direktiivid

See toode vastab kõigi kohaldatavate EÜ direktiivide nõuetele koos vastavate harmoneeritud standarditega, mis näevad ette CE-märgistuse.

SEADME SIDUMINE RAKENDUSES

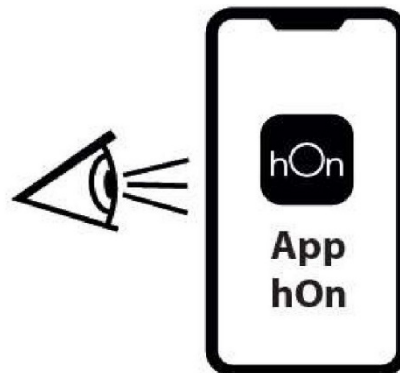
1. samm • Laadi rakendus hOn kauplustes alla



2. samm • Loo oma konto rakenduses hOn või logi sisse, kui sul on konto juba olemas



3. samm • Järgige rakenduses hOn kuvatavaid sidumisjuhiseid

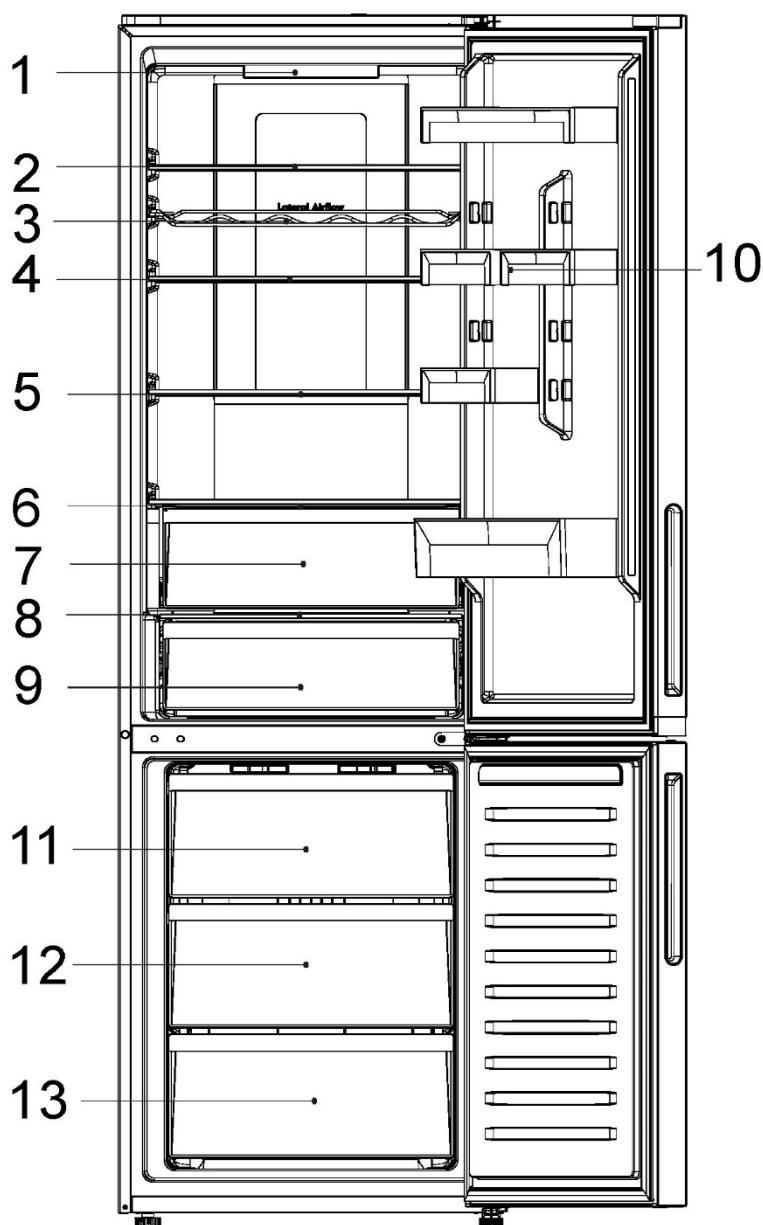


Raadiomoodul – tehnilised andmed

Sagedusala (töösageduspiirkond)	2400 MHz kuni 2843,5 MHz
Kanalisagedused	2412...2472 MHz (sammu suurus 5 MHz)
Maksimumvõimsus (ekvivalentne isotroopne kiirgusvõimsus)	100 mW

i MÄRKUS

Tehniliste muudatuste ja mudelite varieeruvuse tõttu võivad mõned juhendis sisalduvad illustratsioonid konkreetsest mudelist erineda.



CNCQ4T620EX
 CNCQ4T620EB
 CNCQ4T620DX
 CNCQ4T620EW
 CNCQ4T620DW
 CNCQ4T620CX

A: Külmiku kamber

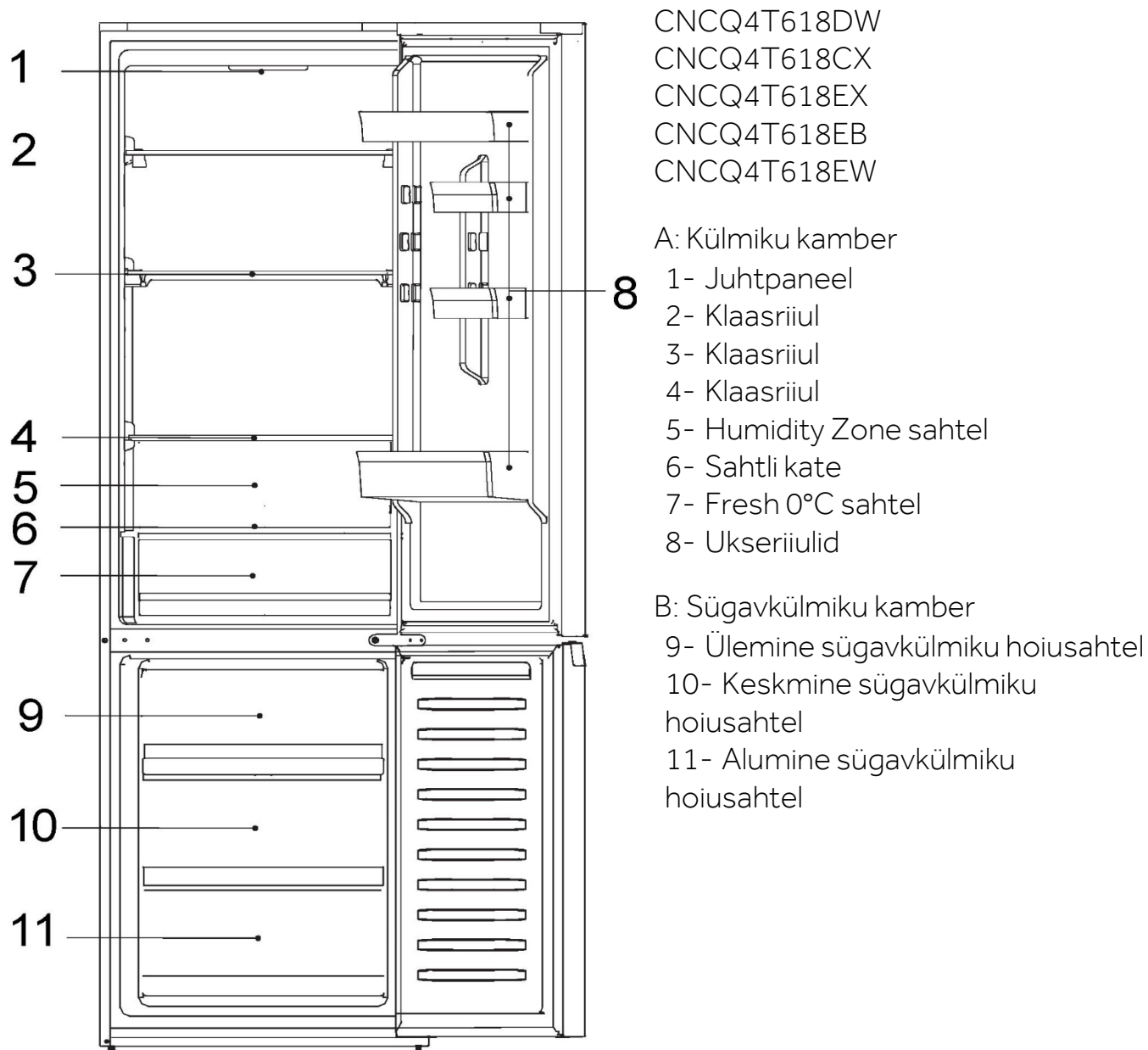
- 1- Juhtpaneel
- 2- Klaasriiul
- 3- Veiniriiul
- 4- Klaasriiul
- 5- Klaasriiul
- 6- Sahtli kate
- 7- Niiskusala sahtel
- 8- Sahtli kate
- 9- Fresh 0°C sahtel
- 10- Ukseriiulid

B: Sügavkülmiku kamber

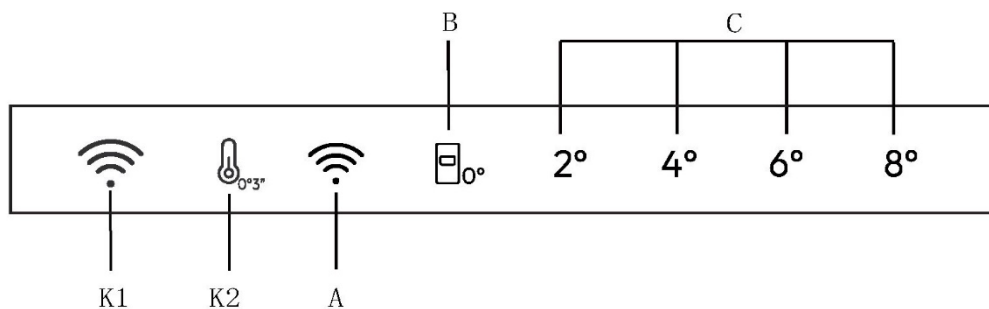
- 11- Ülemine sügavkülmiku hoiusahtel
- 12- Keskmise sügavkülmiku hoiusahtel
- 13- Alumine sügavkülmiku hoiusahtel

i MÄRKUS

Tehniliste muudatuste ja mudelite varieeruvuse tõttu võivad mõned juhendis sisalduvad illustratsioonid konkreetsest mudelist erineda.



Juhtpaneel



Nupud

- K1 Wi-Fi funktsioon sees/väljas.
- K2 Temperatuuri valimise sisse-/väljalülitusnupp, mida kasutatakse Fresh 0 °C indikaatorite sisse-/väljalülitamiseks
- A Wi-Fi-kuva.

Indikaatorid

- B Funktsioon Fresh 0°C
- C Külmiku temperatuuri näidik

Enne esimest kasutuskorda

- ▶ Eemaldage kõik pakkematerjalid, hoidke neid lastele kättesaamatus kohas ja kõrvaldage need keskkonnasõbralikul viisil.
- ▶ Puhastage seadet seest ja väljast, sisemusest ja lisatarvikutest vee ja õrna pesuvahendiga ning kuivatage see pehme lapiga.
- ▶ Pärast tasandamist ja puhastamist oodake vähemalt 2 tundi, enne kui ühendate seadme toiteallikaga. Vaadake osa „PAIGALDAMINE“.
- ▶ Enne toiduainete külmkappi panemist eeljahutage kambreid kõrgetel sätetel.

Mehaanilised nupud

Juhtpaneeli nupud on mehaanilised nupud.

Külmkapi sisse-/väljalülitamine

Seade lülitub vooluvõrku ühendamisel automaatselt sisse.

Külmiku esmakordsel sisselülitamisel süttib "B" indikaator "4°" (Külmkapi temperatuuri näidik) ja 0°C sahtli indikaator "0°".

Külmiku temperatuuriks ja sügavkülmiku temperatuuriks seatakse automaatselt vastavalt 4 °C ja -20 °C, käivitub 0 °C hoiusahtel.



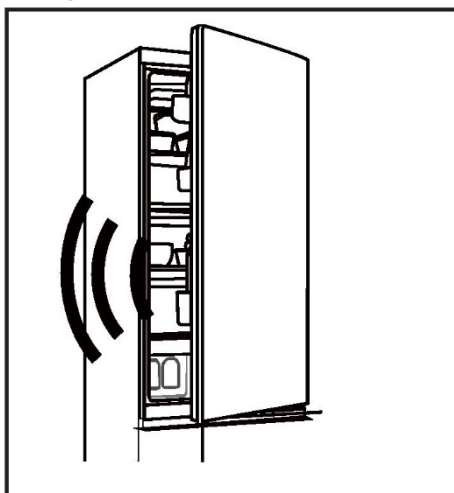
MÄRKUS

Seade on eelseadistatud soovitatavale temperatuurile 4 °C. Need on soovitatavad seaded. Soovi korral saate temperatuure käsitsi muuta.

Avatud ukse helisignaali

Kui külmkapi uks on avatud kauem kui 3 minutit, kõlab ukse avamise häire.

Sulgege helisignaali vaigistamiseks uks. Kui uks on avatud kauem kui 7 minutit, kustub külmkapi ja juhtpaneeli valgus automaatselt.



Toide sees/väljas

Kui seade on sisse lülitatud, vajutage nuppu K1 3 sekundit, seade läheb ooterežiimile, kompressor lakkab töötamast ja tuli kustub. Kui seade on ooterežiimil, vajutage nuppu K1 3 sekundit, seade on sisse lülitatud, kompressor töötab ja tuli põleb.

Temperatuuri kohandamine

Külmkapi sisetemperatuuri mõjutavad alljärgnevad tegurid.

Ümbritseva õhu temperatuur



Ukse avamise sagedus
Külmkapis olevate toiduainete kogus
Seadme paigalduskoht

Külmiku/sügavkülmiku temperatuuri reguleerimine

1. Vajutage klahvi "K2" (Külmiku temperatuuri valik), et valida külmiku temperatuur;
2. Indikaator "B" (Külmiku temperatuuri näidik) on vaheldumisi hele, nagu on näha allpool;
 $2^{\circ} \rightarrow 4^{\circ} \rightarrow 6^{\circ} \rightarrow 8^{\circ}$
3. Külmiku temperatuuri valimisel juhtpaneelilt on vastav temperatuur sügavkülmikule
 $2^{\circ} (-22^{\circ}) \rightarrow 4^{\circ} (-20^{\circ}) \rightarrow 6^{\circ} (-18^{\circ}) \rightarrow 8^{\circ} (-16^{\circ})$.

Funktsioon Fresh 0°C

Režiimi "0°" sisenemiseks, kui külmiku uks on avatud, vajutage 3 sekundi jooksul helisignaali nuppu K2, näidik "0°" süttib, Fresh 0 °C funktsiooni temperatuur on lähedal 0 °C-le.

Režiimist "0°" väljumiseks vajutage külmiku ukse avatud asendis 3 sekundit nupule K2 ja helisignaali, märgutuli "0°" kustub; "0°" sahtli temperatuur muutub vastavalt külmiku temperatuurile.

Käigu reguleerimine

Kui külmiku Wi-Fi on edukalt ühendatud, saate käiku RAKENDUSE kaudu reguleerida, pärast reguleerimist kustub indikaatorite C kuva. Uksetuli vilgub iga kord, kui käik on edukalt reguleeritud.

Külmiku reguleeritav vahemik on 2°, 3°, 4°, 5°, 6°, 7°, 8°;

Sügavkülmiku reguleeritav vahemik on -24°, -23°, -22°, -21°, -20°, -19°, -18°, -17°, -16°.

Funktsiooni Fresh 0°C saab avada või sulgeda.

Super Freeze funktsioon

1. Värske toit tuleks külmutada võimalikult kiiresti südamikuni. See võib säilitada parima toiteväärtuse, välimuse ja maitse. Super Freeze funktsioon kiirendab värske toidu külmutamist ja kaitseb juba säilitatud toitu soovimatu soojenemise eest. Kui teil on vaja korraka külmutada suur kogus toitu, on soovitatav lülitada Super Freeze funktsioon sisse 24-tunniseks külmutatud ruumi kasutamiseks.
2. RAKENDUSE kaudu saate sisestada Super Freeze funktsiooni ja sel ajal kuvatakse see ekraanil



MÄRKUS

1. Seade lülitab Super Freeze funktsiooni välja pärast seda, kui on olnud Super Freeze funktsioonis 50 tundi või kui vajutatakse nuppu "K2" või lülitatakse see välja RAKENDUSEST.
2. Super Freeze režiimis olles ei saa külmutussektiooni temperatuuri reguleerida.

Super Cool funktsioon

1. Suurema toidukoguse hoiustamiseks (näiteks pärast ostmist) on soovitatav sisse lülitada Super Cool funktsioon. Super Cool funktsioon kiirendab värsket toidu jahutamist ja kaitseb juba säilitatud toitu soovimatu soojenemise eest.
2. Saate APR-i kaudu sisestada funktsiooni Super Cool ja sel ajal kustub ekraanipaneeli C-ikoon.



MÄRKUS

1. Seade lülitab "Super Cool funktsiooni" välja pärast 6-tunnist "Super Cool funktsioonis" viibimist või kui vajutatakse nuppu "K2" või lülitatakse see välja RAKENDUSEST.
2. Super Cool funktsioonis viibides ei saa külmkapi sahtli temperatuuri reguleerida

Holiday funktsioon

Holiday funktsioon vähendab seadme energiatarvet, kui külmkapp ei ole regulaarselt kasutusel. Kui funktsioon on sisse lülitatud, on külmik välja lülitatud, samal ajal kui sügavkülmik jätkab normaalset tööd. Funktsioon seab külmiku temperatuuri püsivalt 17 °C-le.

Saate sisestada Holiday funktsiooni APR-i kaudu ja sel ajal kustub ekraanipaneeli C-ikoon.



MÄRKUS

Funktsiooni saab välja lülitada, seadistades külmiku temperatuuri või tehes mis tahes muu seadistuse või lülitades selle rakendusest välja.

Kui Holiday režiim on sisse lülitatud, siis külmikutuli kustub.

Wi-Fi-ühenduse funktsioon

Külmiku avatud ukse olekus vajutage 3S-i jaoks pikalt K1 klahvi, külmikus kõlab piiks, A-ikoon vilgub kiiresti ja Wi-Fi siseneb seadistamise olekusse.

Avatud ukse alarm ja tõrkenõuanded

Külmiku uks on avatud kuni 3 minutit, külmik teeb piiks-piiks-piiks piiks, samal ajal vilgub ukse märgutuli; kui ukse lahtioleku aeg jõuab 13 minutini ja külmiku ust ei ole ikka veel suletud, siis külmik ei anna enam helisignaali, ukse märgutuli jääb vilkuma.

Kui sügavkülmiku uks on suletud, aga külmik teeb ikka piiks piiks-piiks või ukse märgutuli jätkab vilkumist, siis võib mõni külmiku detail olla katki. Võtke esimesel võimalusel ühendust müügijärgse personaliga. Voolukatkestuse mälu

Kui külmik on välja lülitatud, salvestatakse voolukatkestuse hetkeseis ja kui toide on uuesti sisse lülitatud, jätkab külmik endiselt tööd vastavalt seatud käigule ja funktsioonile enne voolukatkestust.

Nõuanded värske toidu säilitamiseks

Toiduainete külmiku kambris säilitamine

Jälgige, et külmiku temperatuur oleks 5 °C või sellest madalam.

Soe toit tuleb enne külmkappi panemist toatemperatuurile jahutada.

Teatavad külmkapis hoitavad toiduained tuleks enne külmikusse panemist pesta ja kuivatada.

Säilitatav toit peab olema nõuetekohaselt suletud, et vältida lõhna või maitse muutusi.

Ärge säilitage liiga suures koguses toitu. Jätke toiduainete vahele ruumi, et külm õhk saaks nende ümber liikuda – see tagab tõhusama ja ühtlasema jahutuse.

Igapäevaselt tarbitavaid toiduaineid tuleks hoida riiuli eesmisel servas.

Paigutage toiduained õhuvoolu tagamiseks siseseintest veidi kaugemale. Ärge mingil juhul hoidke toitu vastu tagaseina: toit võib külmuda vastu tagaseina. Vältige toidu (eriti õlise või happelise toidu) otsest kokkupuudet külmkapi sisekülgedega, sest õli/hape võib neid kahjustada. Kõrvaldage külmkappi jäänud õlised/happelised toidujäägid.

Külmutatud toitu võib külmkambris aeglaselt üles sulatada. See säästab energiat.

Külmikus hoidmine võib kiirendada puu- ja köögiviljade, näiteks kabatšokkide, melonite, papaiade, banaanide, ananasside jms vananemisprotsessi. Seetõttu ei ole soovitatav neid külmkapis hoida. Külmikus hoidmine võib aga kiirendada mõningate roheliste puuviljade järevalmimist. Toatemperatuuril tuleks hoida sibulat, küüslauku, ingverit ja muid juurvilju.

Ebameeldiv lõhn külmikus viitab sellele, et midagi on maha valgunud ja vajalik on külmkapi puhastamine. Vt Hooldus ja puhastamine.

Erinevad toidud tuleks paigutada erinevatesse kohtadesse vastavalt nende omadustele.

Toiduainete sügavkülmiku kambris säilitamine

- Jälgige, et sügavkülmiku temperatuur oleks –18 °C.
- Soe toit tuleb enne sügavkülmiku kambrisse panemist toatemperatuurile jahutada.
- Väikesteks portsjoniteks lõigatud toiduained külmuvad kiiremini ning neid on lihtsam sulatada ja küpsetada. Soovituslikult võiks üks portsjon kaaluda vähem kui 2,5 kg.
- Toiduained tuleks enne sügavkülmikusse panemist pakendada. Pakendi välispind peab olema kuiv, et säilituskotid üksteise külge ei jääks. Pakkevahendid peavad olema lõhnatud, õhukindlad, mittemürgised ja toksiideta.
- Märkige pakendile külmutamise kuupäev, säilitusaeg ja toiduaine nimetus – see aitab vältida erinevatele toiduainetele kohalduvate säilitustähtaegade ületamist.



HOIATUS!

- Hape, leelis, sool ja muud ained võivad sügavkülmiku sisepinda kahjustada.
- Ärge asetage toitu koos nende ainetega (nt merekalad) vahetult sisepinnale. Sügavkülmikusse loksunud soolane vesi tuleb koheselt eemaldada.
 - Ärge ületage toiduainete tootjate määratud soovituslikke säilitusaegu. Võtke sügavkülmikust välja vaid vajalik kogus toitu.
 - Sulatatud toit tuleb tarbida võimalikult kiiresti. Sulatatud toitu ei saa uuesti külmutada, kui seda ei ole eelnevalt keedetud, vastasel juhul võib see olla vähem söödav.
 - Ärge pange sügavkülmiku kambri ülemäärases koguses uusi toiduaineid. Arvestage sügavkülmiku külmutusvõimsusega – vaadake osa „TEHNILISED ANDMED“ või andmesildil välja toodud spetsifikatsioone.
 - Toiduaineid võib sügavkülmikus, mille temperatuur on vähemalt -18°C , nende omadustest lähtuvalt 2–12 kuud hoida (näiteks liha võib säilitada 3–12 kuud ja köögivilju 6–12 kuud).
 - Värske toidu külmutamisel vältige nende kokkupuudet juba külmutatud toiduga. Sulamisohht!

Järgige poest ostetud külmutatud toiduainete säilitamisel alljärgnevaid suuniseid.

- Järgige säilitusaja osas tootjapoolseid soovitusi. Ärge ületage soovituslikku säilitustähtaega.
- Külmutatud toiduainete ostmise ja sügavkülmikusse panemise vaheline aeg peab olema võimalikult lühike – see aitab toidu kvaliteeti alal hoida.
- Ostke külmutatud toitu, mida on hoitud temperatuuril -18°C või alla selle.
- Vältige toidu ostmist, mille pakendil on jää või härmatis - see näitab, et tooted võisid mingil hetkel olla osaliselt sulatatud ja uuesti külmutatud - temperatuuri tõus mõjutab toidu kvaliteeti.

Wi-Fi režiimi seadistamine

SEADME SIDUMINE RAKENDUSES

1. samm • Laadi rakendus hOn kauplustes alla



2. samm • Loo oma konto rakenduses hOn või logi sisse, kui sul on konto juba olemas



3. samm • Järgi rakenduses hOn kuvatavaid sidumisjuhiseid

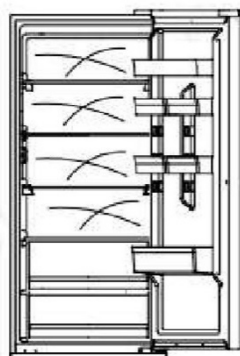


Raadiomoodul – tehnilised andmed

Sagedusala (töösageduspiirkond)	2400 MHz kuni 2843,5 MHz
Kanalisagedused	2412...2472 MHz (sammu suurus 5 MHz)
Maksimaalne võimsus (EIRP)	100 mW

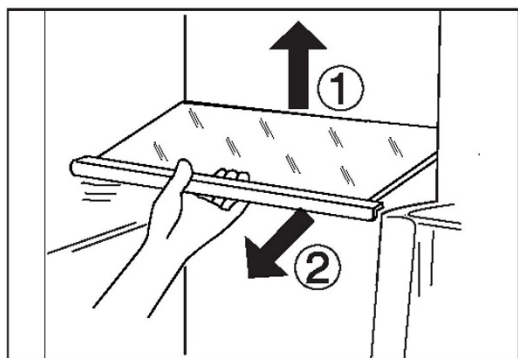
i MÄRKUS

Mudelite varieeruvuse tõttu ei pruugi teie tootel olla kõiki alljärgnevalt kirjeldatud funktsioone. Palun vaadake peatükki Toote kirjeldus.



Mitmesuunalise õhuvoo süsteem

Külmkapp on varustatud mitmesuunalise õhuvoo süsteemiga, millega jahedad õhuvood liiguvad igal riiulitasandil. See aitab säilitada ühtlast temperatuuri, et toit püsiks kauem värskena.

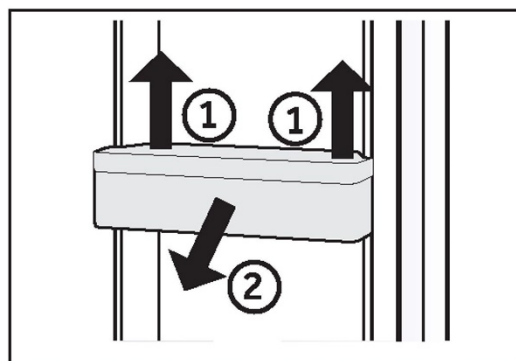


Reguleeritavad riiulid

1. Riiulite kõrgust saab hoiustamisvajadustest lähtuvalt kohandada.
2. Riiuli ümberpaigutamiseks eemaldage see esmalt, tõstes selle tagaserva ① ja tõmmates selle välja ②.
3. Riiuli uuesti külmikusse paigutamiseks asetage see kummalgi küljel olevatele eenditele ja lükake riiulit tahapoole, kuni selle tagaserv on külgedel olevatesse süvenditesse fikseeritud

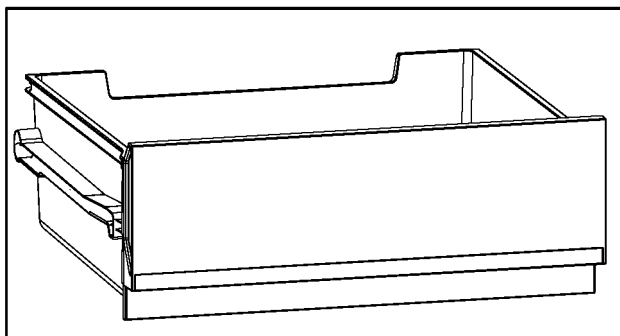
Eemaldatavad ukseriiulid/pudelihoidik

1. Ukseriuleid saab puhastamiseks eemaldada.
2. Asetage käed riiuli mõlemale küljele, tõstke seda ülespoole ① ja tõmmake välja ②.
3. Ukseriuli tagasi oma kohale panemiseks tehke ülaltoodud toimingud vastupidises järjekorras.



Külmiku hoiusahtel

Külmiku hoiusahtli kasutamiseks ja seadistamiseks kontrollige jaotist KASUTAMINE.



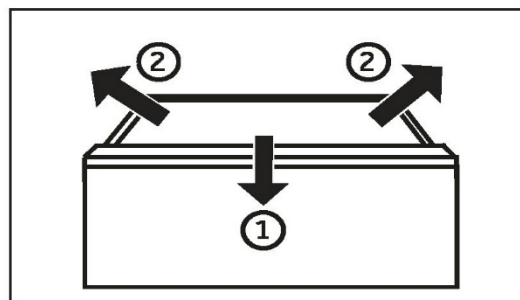
Sügavkülmiku sahtel

Sügavkülmiku sahtlit saab sirgelt ja täielikult pikendada. Need paiknevad hõlpsat veeremist võimaldaval teleskooprööpal. Et saaksite külmutatavat toitu mugavalt hoiustada ja eemaldada. Tänu uste automaatsele sulgemismehhanismile on käitlemine lihtne ja saate säästa energiat.

Eemaldatav sahtel

Sahtli väljavõtmiseks tõmmake see maksimaalselt välja ①, tõstke ja eemaldage ②.

Sahtli tagasi oma kohale panemiseks tehke ülaltoodud toimingud vastupidises järjekorras.



HOIATUS!

Ärge paigutage sahtlitesse ülemäärases koguses toiduaineid: Iga sahtli maksimaalne koormus: 35 kg!

Valgusti

Ukse avamisel süttib valgusdiodiga sisevalgusti. Tulede intensiivsust ei mõjuta seadme ükski säte.



Nõuanded energiatarbe vähendamiseks

- ▶ Veenduge, et seadme ventilatsioon vastab nõuetele (vaadake osa „PAIGALDAMINE“).
- ▶ Ärge paigutage seadet otsese päikesevalguse kätte ega soojusallikate (näiteks ahju või kütteseadme) lähedusse.
- ▶ Hoiduge tarbetult madalate temperatuuride seadistamisest. Mida madalam on temperatuuri säte, seda suurem on seadme energiatarve.
- ▶ Laske soojal toidul enne selle külmkappi panemist maha jahtuda.
- ▶ Hoidke külmkapi ust võimalikult vähest aega avatuna.
- ▶ Õhuvoolu takistuste välistamiseks ärge täitke külmkappi liigselt.
- ▶ Jälgige, et toiduainete pakendites oleks võimalikult vähe õhku.
- ▶ Uksetihendid peavad olema puhtad, et uks alati korralikult sulguks.
- ▶ Kõige energiasäästlikum seadistus nõuab sahtli, toidukasti ja riiulite paigutamist seadmesse tehasest saabunud seisukorras ning toidu paigutamist kanali õhu väljalaskeava blokeerimata.



HOIATUS!

Enne puhastamist lahutage külmkapp vooluvõrgust.

Puhastamine

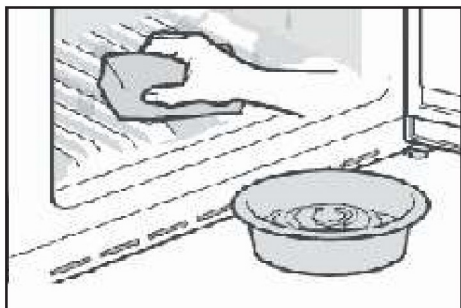
Puhastage külmkappi siis, kui selles on vähe toiduaineid või see on tühi.

Külmkappi tuleb puhastada iga nelja nädala järel – see tagab seadme nõuetekohase hoolduse ja aitab vältida ebameeldiva lõhna teket.



HOIATUS!

- ▶ Seadme puhastamisel ei tohi kasutada abrasiivset harja, traatkäsna, pesuvahendi pulbrit, bensiini, amüülatsetaati, atsetooni, sarnaseid orgaanilisi lahuseid ega happelisi või leeliselisi lahuseid. Kahjustuste vältimiseks kasutage spetsiaalset külmkapi puhastusvahendit.
- ▶ Ärge pihustage ega loputage seadet puhastamise ajal.
- ▶ Ärge kasutage seadme puhastamiseks veepihustit ega auru.
- ▶ Ärge puhastage külmi klaasriiuleid kuuma veega. Järsk temperatuurimuutus võib põhjustada klaasi purunemise.
- ▶ Ärge puudutage sügavkülmiku kambri sisepinda, sest käed võivad kambri sisepinna külge jääda. Eriti kohaldub see siis, kui käed on märjad.



- ▶ Jälgige, et uksetihend oleks alati puhas.
 - ▶ Puhastage seadme sisemust ja korpust soojas vees ning neutraalses puhastusvahendis niisutatud svammiga.
 - ▶ Puhastage külmiku sisemust ja välispinda, sealhulgas uksetihendit, ukseraami, klaasriiuleid, kaste jne, pehme rätiku või käsna, mis on kastetud sooja vette (millesse võib lisada neutraalset pesuvahendit).
- ▶ Vedeliku mahavalgumise korral eemaldage kõik määrdunud osad, loputage otse voolava veega, kuivatage ja asetage tagasi külmkappi.
 - ▶ Mahavoolanud koore (nt koor, sulava jäätis) korral eemaldage kõik saastunud osad, asetage need mõneks ajaks sooja vette temperatuuril umbes 40 °C, seejärel loputage voolava veega, kuivatage ja asetage tagasi külmikusse.
 - ▶ Kui külmiku sisse (riiulite või sahtlite vahele) satub mõni väike osa või komponent, kasutage selle vabastamiseks väikest pehmet harja. Kui te ei ulatu osani, võtke ühendust Haieri teenindusega.
 - ▶ Loputage ja kuivatage pehme riidelapiga.
 - ▶ Ärge puhastage seadme osi nõudepesumasinas.
 - ▶ Enne seadme taaskäivitamist oodake vähemalt seitse minutit, sest sagedane käivitamine võib kompressorit kahjustada.

Sulatamine

Külmiku ja sügavkülmiku kambrite sulatamine on automaatne, nende käsitsi sulatamine ei ole vajalik.

Valgusdiodi vahetamine



HOIATUS!

Ärge asendage valgusdiodiga valgustit ise, seda võib vahetada vaid tootja või volitatud hooldustehnik.

Valgusallikaks on valgusdiod, millel on väike energiatarve ja pikk kasutusiga. Valgustiga seotud probleemide korral võtke ühendust klienditeenindusega. Vaadake osa „KLIENDITEENINDUS“.

Valgusti parameetrid on alljärgnevad:

Külmkapp: 12 V max 1,5 W

Pikaajaline mittekasutamine

Kui te ei kavatse seadet pikemal ajaperioodil kasutada, järgige alljärgnevat suuniseid.

Võtke toiduained külmkapist välja.

Lahutage toitekaabel.

Puhastage seadet eespool kirjeldatud viisil.

Hoidke ukсед lahti, et vältida halbade lõhnade teket sedame sees.



MÄRKUS

Lülitage külmkapp välja vaid siis, kui see on vältimatult vajalik.

Seadme teisaldamine

1. Võtke toiduained külmkapist välja ja lahutage seade vooluvõrgust.
2. Fikseerige riiulid ning külmiku ja sügavkülmiku muud liikuvad osad kleeplindiga.
3. Külmkappi ei tohi külmutussüsteemi kahjustuste vältimiseks kallutada rohkem kui 45 kraadi.



HOIATUS!

- ▶ Ärge tõstke külmkappi selle käepidemetest.
- ▶ Ärge asetage seadet horisontaalselt põrandapinnale.

Paljusid tekkida võivaid probleeme saab kõrvaldada ilma mingite eriteadmisteta. Probleemide korral järgige allpool välja toodud suuniseid, enne kui võtate ühendust müügijärgse teenindusega. Vaadake osa „KLIENDITEENINDUS“.



HOIATUS!

- ▶ Enne hooldustoiminguid lahutage seadme väljalülitamiseks toitepistik pistikupesast.
- ▶ Elektriseadmete remonditöid võivad teha vaid kvalifitseeritud elektrikud, sest ebaõige remondiga võivad kaasned märkimisväärsed kahjustused.
- ▶ Kahjustunud toitekaabli võib ohtude minimeerimiseks välja vahetada üksnes tootja, tootja volitatud hooldustehnik või sarnase kvalifikatsiooniga spetsialist.

Probleem	Võimalik põhjus	Võimalik lahendus
Kompressor ei tööta.	<ul style="list-style-type: none"> • Toitepistik ei ole vooluvõrku ühendatud. • Aktiveeritud on seadme sulatustsüklil. 	<ul style="list-style-type: none"> • Ühendage toitepistik. • See on automaatse sulatamise korral normaalne.
Seade käivitub sageli või on selle käitustsüklil liiga pikk.	<ul style="list-style-type: none"> • Sise- või välistemperatuur on liiga kõrge. • Seade on olnud pikemat aega välja lülitatud. • Seadme uks ei ole korralikult suletud. • Ust avatakse liiga sageli või hoitakse seda liiga kaua lahti. • Sügavkülmiku kambri on valitud liiga madal temperatuuri säte. • Uksetihend on määrdunud, kulunud, pragunenud või valesti sobitatud. • Õhuringlus ei vasta nõuetele. 	<ul style="list-style-type: none"> • Sellisel juhul on normaalne, kui käitustsüklil on tavalisest pikem. • Üldjuhul kulub seadmel ette nähtud temperatuuri saavutamiseks 8–12 tundi. • Sulgege uks/sahtel, kontrollige, kas seade paikneb ühetasasel pinnal, ning veenduge, et mõni toiduaine või anum ei takista ukse sulgemist. • Hoiduge ukse/sahkli liiga sagedasest avamisest. • Tõstke temperatuuri sätet, kuni saavutate rahuldava külmkapi temperatuuri. Külmkapi temperatuuri stabiliseerumiseks kulub 24 tundi. • Puhastage ukse/sahkli tihend või laske klienditeenindusel see asendada. • Tagage küllaldane ventilatsioon.



Probleem	Võimalik põhjus	Võimalik lahendus
Külmkapi sisemus on määrdunud ja/või lõhnab.	<ul style="list-style-type: none"> Vajalik on külmkapi sisemuse puhastamine. Külmkapis hoitakse intensiivse lõhnaga toitu. 	<ul style="list-style-type: none"> Puhastage külmkapi sisemus. Pakendage toit korralikult ja õhukindlalt.
Seadme sisetemperatuur ei ole piisavalt madal.	<ul style="list-style-type: none"> Temperatuur on seadistatud liiga kõrgele sättele. Külmkappi on pandud liiga soe toit. Külmkapis hoitakse liiga paljusid toiduaineid. Toiduained on üksteisele liiga lähedale paigutatud. Seadme uks/sahtel ei ole korralikult suletud. Ust/sahtlit avatakse liiga sageli või hoitakse seda liiga kaua lahti. 	<ul style="list-style-type: none"> Lähtestage temperatuuri säte. Jahutage soe toit enne selle külmkappi panemist. Jälgige, et säilitatavate toiduainete kogus poleks ülemäära suur. Jätke vajaliku õhuvoolu tagamiseks toiduainete vahele veidi ruumi. Sulgege uks/sahtel. Hoiduge ukse/sahtli liiga sagedasest avamisest.
Seadme sisetemperatuur on liiga madal.	<ul style="list-style-type: none"> Temperatuur on seadistatud liiga madalale sättele. 	<ul style="list-style-type: none"> Lähtestage temperatuuri säte.
Külmiku kambris tekib kondensaat.	<ul style="list-style-type: none"> Ümbritsev keskkond on liiga soe ja liiga niiske. Seadme uks/sahtel ei ole korralikult suletud. Ust/sahtlit avatakse liiga sageli või hoitakse seda liiga kaua lahti. Toiduanumad või vedelikke sisaldavad nõud on katmata. 	<ul style="list-style-type: none"> Tõstke temperatuuri sätet. Sulgege uks/sahtel. Hoiduge ukse/sahtli liiga sagedasest avamisest. Laske kuumal toidul enne selle külmkappi panemist toatemperatuurile jahtuda ning katke toidud ja vedelikud.
Külmkapi välispinnale, uste vahele või ukse ja sahtli vahele koguneb kondensaati.	<ul style="list-style-type: none"> Ümbritsev keskkond on liiga soe ja liiga niiske. Uks ei ole nõuetekohaselt suletud. Seadmesisese külma õhu ja ümbritseva keskkonna sooja õhu kokkupuutel tekib kondensaat. 	<ul style="list-style-type: none"> See on niisketes ilmastikuoludes normaalne ja muutub niiskustaseme langedes. Jälgige, et uks/sahtel oleks korralikult suletud.

Probleem	Võimalik põhjus	Võimalik lahendus
Sügavkülmiku kambris on liigselt jääd ja härmatist.	<ul style="list-style-type: none"> Toiduained ei olnud nõuetekohaselt pakendatud. Seadme uks/sahtel ei ole korralikult suletud. Ust/sahtlit avatakse liiga sageli või hoitakse seda liiga kaua lahti. Ukse/sahtli tihend on määrdunud, kulunud, pragunenud või mittesobiv. Mõni ese või toiduanum ei võimalda ust/sahtlit korralikult sulgeda. 	<ul style="list-style-type: none"> Pakendage toiduained alati korralikult. Sulgege uks/sahtel. Hoiduge ukse/sahtli liiga sagedasest avamisest. Puhastage ukse/sahtli tihend või laske see uuega asendada. Paigutage ukse/sahtli nõuetekohaseks sulgemiseks riulid, ukseriulid või külmkapis olevad toiduanumad ümber.
Külmkapi küljed ja ukseliist soojenevad.	<ul style="list-style-type: none"> - 	<ul style="list-style-type: none"> See on normaalne.
Seadmest kostab anomaalseid helisid.	<ul style="list-style-type: none"> Seade ei paikne ühetasasel pinnal. Seade on mõne läheduses paikneva eseme vastas. 	<ul style="list-style-type: none"> Reguleerige seadme nivelleerimiseks jalgu. Eemaldage seadme vahetust ümbrusest esemed.
Seadmest kostab vee voolamisele sarnane tasane heli.	<ul style="list-style-type: none"> - 	<ul style="list-style-type: none"> See on normaalne.
Seade genereerib helisignaali.	<ul style="list-style-type: none"> Külmiku kambri uks on lahti. 	<ul style="list-style-type: none"> Sulgege uks.
Seadmest kostab vaikne surisev heli.	<ul style="list-style-type: none"> Kondensniiskust vähendav süsteem on sisse lülitunud. 	<ul style="list-style-type: none"> See aitab vältida kondenseerumist ja on normaalne.
Seadme sisevalgusti või jahutussüsteem ei tööta.	<ul style="list-style-type: none"> See on demorežiimis 	<ul style="list-style-type: none"> Külmik on ühendatud vooluvõrku ja külmiku uks on avatud. Vajutage ja hoidke all nuppu K1 ning klõpsake nuppu K2 viis korda, seejärel lõpetab ikoon ümmarguse valgustuse.
Seadme sisevalgusti või jahutussüsteem ei tööta.	<ul style="list-style-type: none"> Toitepistik ei ole vooluvõrku ühendatud. Seadme toitevarustus puudub. Valgusdiodiga valgusti on kahjustunud. 	<ul style="list-style-type: none"> Ühendage toitepistik. Kontrollige ruumi elektrivarustust. Vajadusel helistage elektriettevõttesse. Helistage valgusti asendamiseks teenindusse.



Tehnilise toega ühenduse võtmiseks külasta meie veebisaiti:
<https://corporate.haier-eu-rope.com/en/>

Seejärel valige asjaomane tootemark ja riik. Teid suunatakse konkreetsele veebilehele, kust leiate telefoninumbri ja vormi tehnilise toega ühendust võtmiseks.

Voolukatkestus

Voolukatkestuse korral peaks toit umbes 5 tundi ohutult külmana püsima. Järgige pikaajalise voolukatkestuse korral alljärgnevat soovitusi, millest kinnipidamine on eriti oluline suvel.

- ▶ Avage ust/sahtlit nii harva kui võimalik.
- ▶ Voolukatkestuse korral ärge pange külmkappi uusi toiduaineid.
- ▶ Kui elektrikatkestusest on eelnevalt teatatud ja katkestus kestab kauem kui 5 tundi, tehke veidi jääd ja pange see külmkapi sahtli ülaosas olevasse mahutisse
- ▶ Kohe pärast toitevarustuse taastumist on vajalik toiduainete ülevaatus.
- ▶ Külmkapi sisetemperatuur tõuseb voolukatkestuse või muu rikke korral, mistõttu vähenevad nii toiduainete säilivusaeg kui ka nende kvaliteet ja söödavus. Terviseriskide minimeerimiseks tuleks kõik üles sulanud toiduained koheselt tarbida või küpsetada ja uuesti külmutada (kui see on asjakohane).

Voolukatkestuse aegne sätete talletamine

Pärast toitevarustuse taastumist lülitub seade sisse toitekatkestusele eelnenud sätetega.

Lahtipakkimine



HOIATUS!

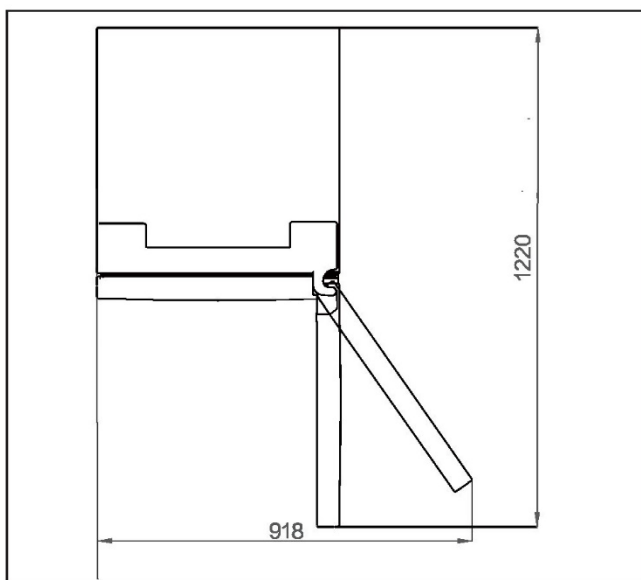
- ▶ Seade on raske. Seda peab teisaldama vähemalt kaks inimest.
- ▶ Hoidke kõiki pakendi komponente lastele kättesaamatus kohas ja kõrvaldage need keskkonnasäästlikult.
- ▶ Võtke seade pakendist välja.
- ▶ Eemaldage kõik pakendi komponendid.

Keskkonnatingimused

Selle külmiku mudelite CNCQ2T620EX, CNCQ2T620EW, CNCQ2T618EX, CNCQ4T618EW, CNCQ4T618EB toatemperatuur peaks alati olema vahemikus 10°C kuni 43°C; selle külmiku mudelite CNCQ2T620DX, CNCQ2T620DW toatemperatuur peaks alati olema vahemikus 10°C kuni 38°C, kuna see võib mõjutada seadmesisest temperatuuri ja selle energiatarbimist. Ärge paigaldage seadet ilma isolatsioonita muude soojust kiirgavate seadmete (näiteks ahju või teise külmiku) lähedusse.

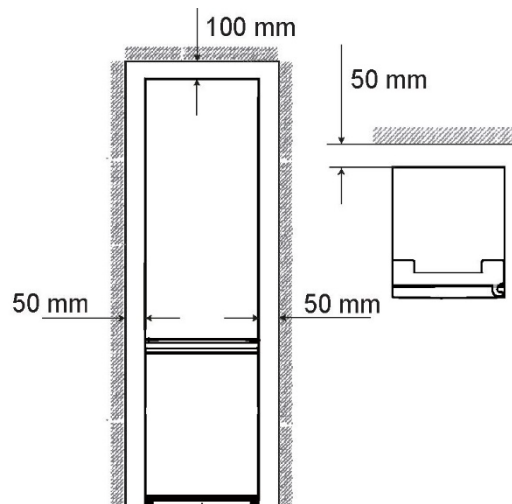
Ruuminõuded

Soovitav ruum, kui uks on



Ventilatsiooni ristlõige

Seadme piisava ventilatsiooni tagamiseks ohutuse eesmärgil on soovitatav jälgida ventilatsiooni ristlõike teavet

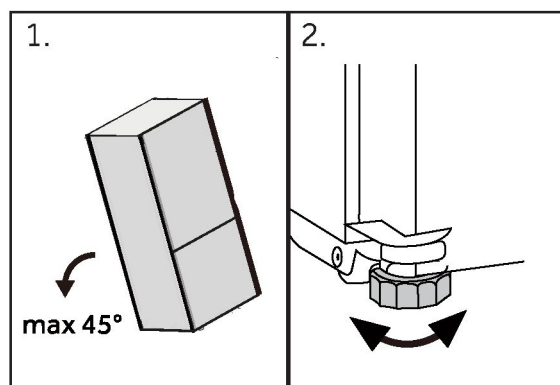


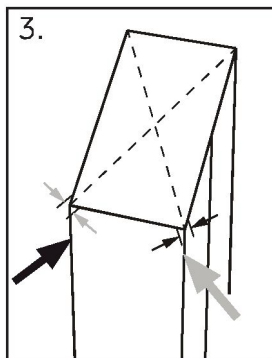
Seadme tsentreerimine ja nivelleerimine

Seade tuleb paigutada ühetasasele ja stabiilsele pinnale.

1. Kallutage külmkappi veidi tahapoole.
2. Reguleerige jalad soovitud kõrgusele.

Veenduge, et vahekaugus hingepoolsest seinast on vähemalt 100 mm, et ust saaks nõuetekohaselt avada.



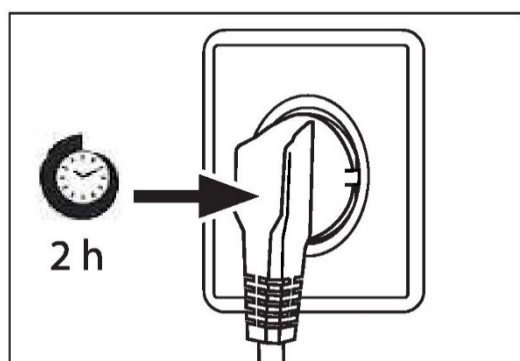


1. Kontrollige külmkapi stabiilsuse hindamiseks seadme diagonaalteigi. Mõningane kalle kummaski suunas peaks olema ühesugune. Vastasel juhul võib karkass deformeeruda, millega võiks kaasneda uksetihendite leke. Kerge kaldenurk tagakülje suunas hõlbustab ukse sulgemist.



MÄRKUS

Autonoomne külmutusseade ei ole mõeldud kasutamiseks integreeritud seadmena.



Ooteaeg

Kasutajapoolset sekkumist mittevajav määrdeõli asub kompressoris olevas kapslis. Õli võib transportimisega kaasneva seadme kaldumise tõttu suletud torustikku voolata. Oodake enne seadme vooluvõrku ühendamist vähemalt kaks tundi, et õli saaks tagasi kapslisse valguda.

Seadme vooluvõrku ühendamine

Enne seadme vooluvõrku ühendamist kontrollige, kas:

- ▶ toiteallikas, pistikupesa ja kaitsmed vastavad andmesildil välja toodud parameetritele;
- ▶ pistikupesa on maandatud ning kasutusel pole mitme pistikuga adaptereid ega pikendusjuhtmeid;
- ▶ toitepistik ja pistikupesa vastavad nõuetele.

Ühendage pistik nõuetekohaselt paigaldatud pistikupesaga.



HOIATUS!

Ohtude minimeerimiseks võib kahjustunud toitekaabli asendada vaid klienditeenindus (vaadake garantiikaarti).

Ukse poolsuse muutmine

Enne seadme ühendamist toiteallikaga peaksite kontrollima, kas ukse pöördtelg tuleb vahetada paremalt (tarnimisel) vasakule, kui see on vajalik paigalduskoha ja kasutusmugavuse tõttu.

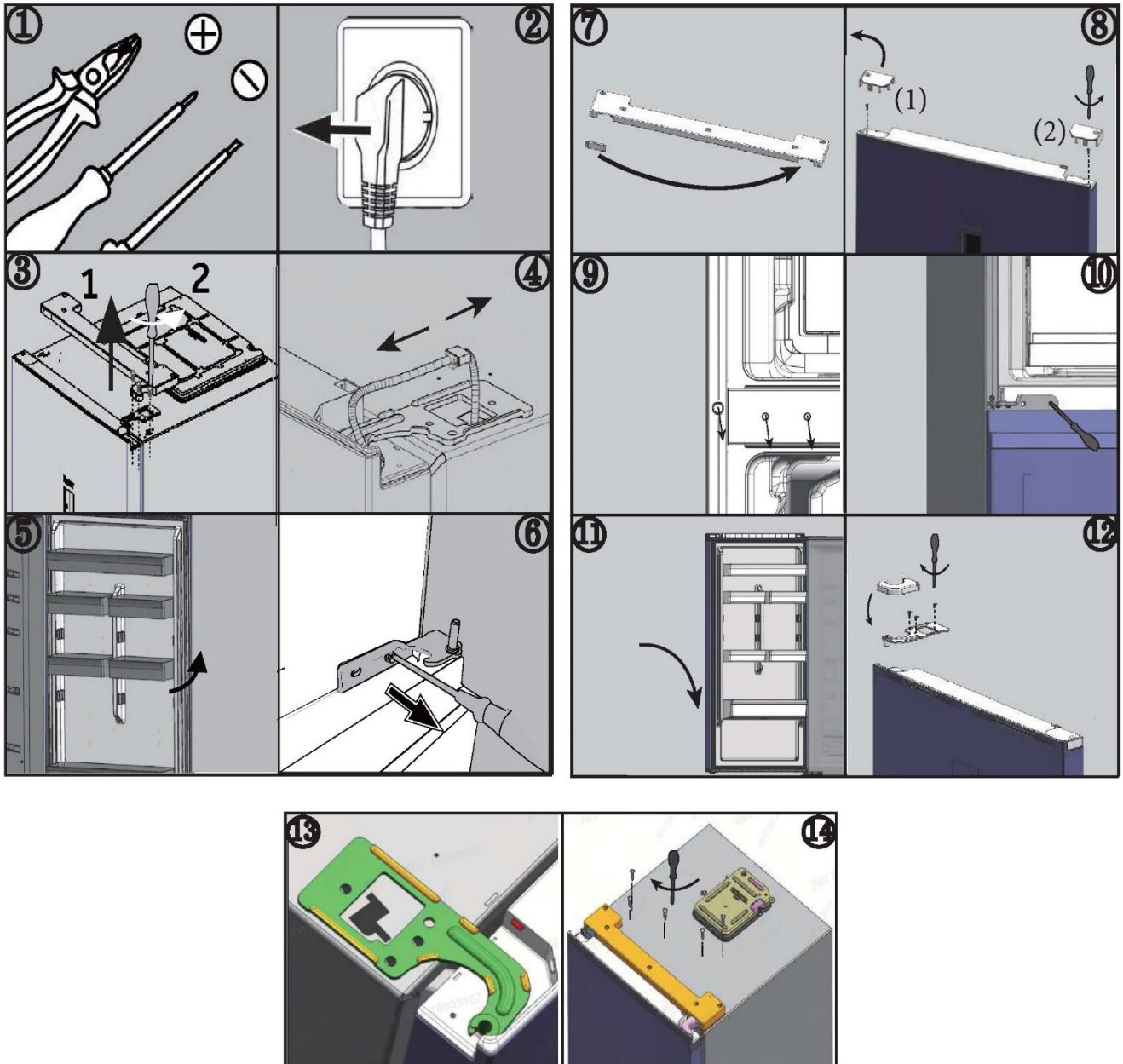


HOIATUS!

- ▶ Seade on raske. Ukse poolsuse muutmiseks on vaja kahte inimest.
- ▶ Enne mis tahes toimingut eemaldage seade kõigepealt vooluvõrgust
- ▶ Külmutussüsteemi kahjustamise vältimiseks ärge kallutage seadet üle 45 °C.

Monteerimisetapid

1. Pange valmis vajalik tööriist.
 2. Lahutage seade vooluvõrgust.
 3. Eemaldage ülemine hingekate 1 ja keerake lahti ülemine hing (kolm kruvi) paremal küljel 2.
 4. Tõstke lahtine külmkapi uks ettevaatlikult keskmiselt hingelt maha.
 5. Eemaldage keskmine hing.
 6. Lükake esipaneeli väike kate vasakult paremale.
 7. Keerake uks tagurpidi ja keerake kate (1) lahti. Võtke uus kate (2) vajalikust kotist välja ja kruvige vastasküljele.
 8. Muutke lukustustüüblite ja küljel oleva kruvi paigutust.
 9. Kruvige keskmine hing seadme vasakule küljele. Pöörake tähelepanu keskmise hinge pöördetelje ümberpööramisele, tagades, et tihendiga külg oleks ülespoole
 10. Tõstke ülemine uks ettevaatlikult keskmisele hingele. Veenduge, et pöördetihvt sobituks alumise ukse hingesilindrisse.
 11. Võtke tarvikute kotist uus ülemine hing ja hingekate. Kinnitage ülemine hing kolme kruviga seadme vasakule küljele. Ja asetage hingekate üle hinge.
 12. Asendage esipaneel ja kinnitage see viie kruviga.
- Pärast ukse vahetamist kontrollige, kas uksetihendid asuvad korpusel õigesti ja kõik kruvid on korralikult pingutatud.



Ümbritseva õhu temperatuur

Laiendatud parasvööde: see külmutusseade on mõeldud kasutamiseks ümbritseva õhu temperatuuril vahemikus 10 °C kuni 32 °C

Parasvööde: see külmutusseade on mõeldud kasutamiseks ümbritseva õhu temperatuuril vahemikus 16 °C kuni 32 °C:

Subtroopiline: see külmutusseade on ette nähtud kasutamiseks ümbritseva õhu temperatuuril vahemikus 16 °C kuni 38 °C;

Troopiline: "see külmutusseade on mõeldud kasutamiseks ümbritseva õhu temperatuuril 16-43 °C.

Toote parameetrid vastavalt määrusele (EL)2019/2016

Põhineb standardtingimustes mõõdetud 24 tunni tulemustel. Tegelik energiatarbimine oleneb seadme kasutusviisist ja asukohast

Mudel	CNCQ4T620EW CNCQ4T620EX CNCQ4T620EB	CNCQ4T620DX CNCQ4T620DW	CNCQ4T620CX
Külmutusseadme tüüp	Külmik-sügavkülmik	Külmik-sügavkülmik	Külmik-sügavkülmik
Energiatõhususe klass	E	D	C
Aastane energiatarbimine (kWh/aasta)	279	223	178
Külmkapi sahtli maht(l)	289	289	289
Sügavkülmiku sahtli maht(l)	120	120	120
Külmutamisklass	Neljatärniline	Neljatärniline	Neljatärniline
Sulatustüüp	Automaatne sulatamine	Automaatne sulatamine	Automaatne sulatamine
Temperatuuri tõusu aeg (h)	11	11	13
Külmutusvõimsus (kg 24 tunni kohta)	10	10	10
Kliimaklass	SN.N.ST	SN.N.ST.T	SN.N.ST.T



Mudel	CNCQ4T618DX	CNCQ4T618EW CNCQ4T618EX CNCQ4T618EB
Külmutusseadme tüüp	Külmik-sügavkülmik	Külmik-sügavkülmik
Energiatõhususe klass	D	E
Aastane energiatarbimine (kWh/aasta)	216	270
Külmkapi sahtli maht(l)	235	235
Sügavkülmiku sahtli maht(l)	120	120
Külmutamisklass	Neijatärniline	Neijatärniline
Sulatustüüp	Automaatne sulatamine	Automaatne sulatamine
Temperatuuri tõusu aeg (h)	11	11
Külmutusvõimsus (kg 24 tunni kohta)	10	10
Kliimaklass	SN.N.STT	SN.N.ST

Selgitused:

- Jah, esiletõstetud
- (1) Põhineb standarditele vastavuse 24-tunnise testi tulemustel. Tegelik tarbimine sõltub seadme kasutusala ja asukohast.
- (2) Kliimaklass SN: Seade on ette nähtud kasutamiseks kohas, kus ümbritseva õhu temperatuur on vahemikus 10 °C ja 32 °C
 Kliimaklass N: Seade on ette nähtud kasutamiseks kohas, kus ümbritseva õhu temperatuur on vahemikus 16 °C ja 32 °C
 Kliimaklass ST: Seade on ette nähtud kasutamiseks kohas, kus ümbritseva õhu temperatuur on vahemikus 16 °C ja 38 °C
 Kliimaklass T: Seade on ette nähtud kasutamiseks kohas, kus ümbritseva õhu temperatuur on vahemikus 16 °C ja 43 °C

Täiendavad tehnilised andmed

Mudel	CNCQ4T620EW CNCQ4T620EX CNCQ4T620EB	CNCQ4T620DX CNCQ4T620DW	CNCQ4T618EW CNCQ4T618EX CNCQ4T618EB
Kogumaht (l)	409	409	355
Pinge/sagedus	220~240V/50Hz	220~240V/50Hz	220~240V/50Hz
Nimivool(A)	0,9	1,4	0,9
Peakaitse(A)	15	15	15
Külmutusaine	R600a(53g)	R600a(53g)	R600a(53g)
Mõõtmed (L/S/K mm)	595*667*2050	595*667*2050	595*667*1850

Mudel	CNCQ4T620CX	CNCQ4T618DX
Kogumaht (l)	409	355
Pinge/sagedus	220~240V/50Hz	220~240V/50Hz
Nimivool(A)	1,4	1,4
Peakaitse(A)	15	15
Külmutusaine	R600a(50 g)	R600a(53g)
Mõõtmed (L/S/K mm)	595*667*2050	595*667*1850



Küsimuste korral pöörduge ettevõtte Haier klienditeeninduse poole.
Tungivalt soovitatav on kasutada originaalvaruosi.
Seadmega seotud probleemide puhul vaadake esmalt osa „Veaotsing“.

Kui seal täpsustatud meetmed ei kõrvalda probleemi:

- ▶ võtke ühendust kohalikuga edasimüüjaga või
- ▶ helistage ettevõtte Euroopa kõnekeskusesse (telefoninumbrid on välja toodud allpool) või
- ▶ teeninduse ja toe ala aadressil www.haier.com, kus saate teenuse aktiveerida
- ▶ nõuda ja leida ka KKK-sid.

Teenindusega ühendust võttes peavad teil käepärast olema alljärgnevad andmed.
Vastav teave on välja toodud andmesildil.

Mudel _____

Seerianumber _____

Garantiinõuete korral kontrollige ka tootega kaasasolevat garantiikaarti.

Ettevõtte kõnekeskused Euroopas		
Riik*	Telefoninumber	Tariif
Haier Italy (IT)	199 100 912	
Haier Spain (ES)	902 509 123	
Haier Germany (DE)	0180 5 39 39 99	<ul style="list-style-type: none"> • Kõneminut 14 senti (lauatelefon) • Kõneminut maksimaalselt 42 senti (mobiiltelefon)
Haier Austria (AT)	0820 001205	<ul style="list-style-type: none"> • Kõneminut 14,53 senti (lauatelefon) • Kõneminut maksimaalselt 20 senti (muud liinid)
Haier United Kingdom (UK)	0333 003 8122	
Haier France (FR)	0980 406 409	



* Teisi riike vaadake aadressilt www.haier.com

Haier Europe Trading S.r.l

Ühendkuningriigi filiaal

Westgate House, Westgate, Ealing

London, W5 1YY

* Külmutusseadme garantii kestus:

Minimaalne garantii on: 2 aastat ELi riikides, 3 aastat Türgis, 1 aasta Ühendkuningriigis, 1 aasta Venemaal, 3 aastat Rootsis, 2 aastat Serbias, 5 aastat Norras, 1 aasta Marokos, 6 kuud Alžeerias, Tuneesias seaduslikku garantiid ei nõuta.

*Seadme remondiks vajalike varuosade periood:

Termostaadid, temperatuuriandurid, trükkplaadid ja valgusallikad on saadaval vähemalt seitse aastat pärast mudeli viimase seadme turustamist.

Ukse käepidemed, uksehinged, alused ja sahtlid on saadaval vähemalt seitse aastat ning uksetihendid vähemalt kümme aastat pärast mudeli viimase seadme turustamist.

*Lisateavet toote kohta leiate aadressilt <https://eprel.ec.europa.eu/> või skannides seadmega kaasasoleval energiamärgisel olevat QR-koodi.

<u>5 Informations sur la sécurité</u>	Avant la première utilisation	6
	Installation	6
	Utilisation quotidienne	7
<u>10 Utilisation prévue</u>		
<u>11 Description du produit</u>		
<u>13 Panneau de commande</u>		
<u>14 Utilisation</u>	Régler la température du réfrigérateur	15
	Régler la température du congélateur	15
	Fonction Super Freeze	15
	Fonction Super Cool	16
	Fonction Fresh 0 °C	15
<u>20 Matériel</u>		
<u>22 Conseils d'économie d'énergie</u>		
<u>23 Entretien et nettoyage</u>		
<u>25 Dépannage</u>		
<u>29 Installation</u>		
<u>33 Données techniques</u>		
<u>36 Service clientèle</u>		



Veillez cliquer sur le contenu pour obtenir des informations détaillées.

Merci d'avoir acheté un produit Candy.

Veillez lire attentivement ces instructions avant d'utiliser cet appareil. Les instructions contiennent des informations importantes qui vous aideront à tirer le meilleur parti de l'appareil et à assurer l'installation, l'utilisation et l'entretien sûrs et appropriés de celui-ci.

Conservez ce manuel dans un endroit facilement accessible afin que vous puissiez toujours vous y référer pour une utilisation sûre et appropriée de l'appareil.

Si vous vendez l'appareil, si vous le donnez ou si vous le laissez lorsque vous déménagez, assurez-vous que vous transmettez également ce manuel pour que le nouveau propriétaire puisse se familiariser avec l'appareil et les consignes de sécurité.

Accessoires

Vérifiez les accessoires et la littérature conformément à cette liste :



Cache



Étiquette
énergétique



Carte de
garantie



Guide rapide



Charnières
de porte



Couvre
charnière



AVERTISSEMENT : informations importantes sur la sécurité



REMARQUE : informations générales et conseils



Informations environnementales

Mise au rebut



Contribuez à protéger l'environnement et la santé humaine. Jetez l'emballage dans les bacs correspondants pour le recycler. Participez au recyclage des déchets d'appareils électriques et électroniques. Ne jetez pas les appareils marqués de ce symbole avec les déchets ménagers. Ramenez le produit à votre déchetterie locale ou contactez votre bureau municipal.



AVERTISSEMENT !

Risque de blessure ou de suffocation !

Les frigorigènes et les gaz doivent être éliminés par un professionnel. Assurez-vous que le tube du circuit réfrigérant n'est pas endommagé avant d'être correctement éliminé. Débranchez l'appareil du secteur. Coupez le câble d'alimentation et jetez-le. Retirez les clayettes et les tiroirs ainsi que le verrou et les joints de la porte, afin d'éviter que les enfants et les animaux domestiques ne se retrouvent enfermés dans l'appareil.

Avant d'allumer l'appareil pour la première fois, lisez les conseils de sécurité suivants :



AVERTISSEMENT !

Avant la première utilisation

- ▶ Assurez-vous qu'il n'a pas été endommagé pendant le transport.
- ▶ Retirez tous les emballages et gardez-les hors de portée des enfants.
- ▶ Attendez au moins deux heures avant d'installer l'appareil afin de vous assurer que le circuit réfrigérant fonctionne parfaitement.
- ▶ Manipulez toujours l'appareil avec au moins deux personnes parce qu'il est lourd.

Installation

- ▶ L'appareil doit être placé dans un endroit bien ventilé. Garantissez un espace d'au moins 10 cm au-dessus et autour de l'appareil.
- ▶ Ne placez jamais l'appareil dans un endroit humide ou un endroit où il pourrait être éclaboussé d'eau. Nettoyez et séchez les éclaboussures d'eau et les taches avec un chiffon doux et propre.
- ▶ N'installez pas l'appareil en plein soleil ou à proximité de sources de chaleur (par ex. cuisinières, chauffages).
- ▶ Installez et mettez à niveau l'appareil dans une zone adaptée à sa taille et à son utilisation.
- ▶ Maintenez les ouvertures de ventilation situées dans l'appareil ou dans la structure encastrée libres de toute obstruction.
- ▶ Assurez-vous que les informations électriques figurant sur la plaque signalétique sont conformes à l'alimentation électrique. Si ce n'est pas le cas, contactez un électricien.
- ▶ L'appareil est alimenté par une alimentation de 220-240 VCA/50 Hz. Les variations anormales de tension peuvent provoquer l'arrêt de l'appareil ou endommager le régulateur de température ou le compresseur, ou il peut y avoir un bruit anormal lors du fonctionnement. Dans ce cas, un régulateur automatique doit être monté.
- ▶ N'utilisez pas d'adaptateurs multiprises ni de rallonges.
- ▶ Ne placez pas de systèmes multiprises portatifs ou d'alimentations portatives à l'arrière de l'appareil.
- ▶ Assurez-vous que le câble d'alimentation n'est pas coincé par le réfrigérateur. Ne marchez pas sur le câble d'alimentation.



AVERTISSEMENT !

- ▶ Utilisez une prise de terre séparée pour l'alimentation électrique qui est facile d'accès. L'appareil doit être mis à la terre.
Uniquement pour le Royaume-Uni : le câble d'alimentation de l'appareil est équipé d'une fiche 3 pôles (de mise à la terre) qui s'adapte à une prise standard 3 pôles (de mise à la terre). Ne coupez jamais ou ne démontez jamais la troisième broche (mise à la terre). Une fois l'appareil installé, la fiche doit être accessible.
- ▶ N'endommagez pas le circuit réfrigérant.

Utilisation quotidienne

- ▶ Cet appareil peut être utilisé par des enfants à partir de 8 ans et par des personnes ayant des capacités physiques, sensorielles ou mentales réduites ou un manque d'expérience et de connaissances, s'ils sont sous surveillance ou si on leur a appris à utiliser l'appareil en toute sécurité et s'ils comprennent les risques courus.
- ▶ Les enfants âgés de 3 à 8 ans sont autorisés à remplir et vider les appareils de réfrigération, mais ne sont pas autorisés à les nettoyer ni à les installer.
- ▶ Gardez les enfants âgés de moins de 3 ans à l'écart de l'appareil à moins qu'ils ne soient constamment surveillés.
- ▶ Les enfants ne doivent pas jouer avec l'appareil.
- ▶ Si du gaz réfrigérant ou tout autre gaz inflammable fuit à proximité de l'appareil, fermez la vanne du gaz qui fuit, ouvrez les portes et les fenêtres et ne débranchez pas le câble d'alimentation du réfrigérateur ou de tout autre appareil.
- ▶ Notez que l'appareil, par exemple CNCQ4T620EX, CNCQ4T620EW, CNCQ4T618EX, CNCQ4T618EW, CNCQ4T618EB, est réglé pour fonctionner à une température ambiante spécifique comprise entre 10 °C et 38 °C. L'appareil peut ne pas fonctionner correctement s'il est laissé pendant une longue période à une température inférieure ou supérieure à la plage indiquée.
- ▶ Notez que l'appareil, par exemple CNCQ4T620DX, CNCQ4T620DW, CNCQ4T620CX, est réglé pour fonctionner à une température ambiante spécifique comprise entre 10 °C et 43 °C. L'appareil peut ne pas fonctionner correctement s'il est laissé pendant une longue période à une température inférieure ou supérieure à la plage indiquée.
- ▶ Ne placez pas d'objets instables (objets lourds, récipients remplis d'eau) sur le dessus du réfrigérateur, pour éviter les blessures corporelles causées par une chute ou une électrocution causée par le contact avec de l'eau.
- ▶ Ne tirez pas sur les balconnets. La porte peut être tirée en biais, le porte-bouteilles peut être retiré ou l'appareil risque de basculer.



AVERTISSEMENT !

- ▶ Ne conservez pas et n'utilisez pas de matières corrosives, explosives ou inflammables dans l'appareil ou à proximité.
 - ▶ Ne conservez pas de médicaments, de bactéries ou d'agents chimiques dans l'appareil. Cet appareil est un appareil électroménager. Il n'est pas recommandé pour stocker des produits qui nécessitent des températures strictes.
 - ▶ Ne conservez jamais des liquides dans des bouteilles ou des canettes (en dehors des spiritueux avec un degré d'alcool très élevé), en particulier les boissons gazeuses, dans le congélateur car ceux-ci pourraient exploser durant la congélation.
 - ▶ Vérifiez l'état des aliments si l'intérieur du congélateur s'est réchauffé.
 - ▶ Ne réglez pas une température inutilement basse dans le compartiment du réfrigérateur. Des températures inférieures peuvent se produire à des réglages élevés. Attention : les bouteilles peuvent éclater
 - ▶ Ne touchez pas les produits surgelés avec les mains mouillées (portez des gants). Ne mangez surtout pas les glaces à l'eau juste après les avoir sorties du compartiment congélateur. Vous risquez de vous blesser ou de vous brûler à cause du froid. Premiers secours : mettez immédiatement sous l'eau froide. Ne retirez pas !
 - ▶ Ne touchez pas la surface intérieure du compartiment congélateur lorsqu'il est en fonctionnement, en particulier avec les mains mouillées, car vos mains peuvent geler sur la surface.
 - ▶ Débranchez l'appareil en cas de coupure de courant ou avant de le nettoyer. Attendez au moins 7 minutes avant de redémarrer l'appareil, car des démarrages trop fréquents risqueraient d'endommager le compresseur.
 - ▶ N'utilisez pas des appareils électriques à l'intérieur des compartiments de conservation des aliments de l'appareil, sauf s'ils correspondent aux modèles recommandés par le fabricant.
- Entretien/nettoyage
- ▶ Veillez à superviser les enfants s'ils effectuent le nettoyage et l'entretien.
 - ▶ Débranchez l'appareil du secteur avant d'effectuer tout entretien courant. Attendez au moins 5 minutes avant de redémarrer l'appareil, car des démarrages trop fréquents risqueraient d'endommager le compresseur.
 - ▶ Lors du positionnement de l'appareil, vérifiez que le cordon d'alimentation n'est pas coincé ou abîmé.
 - ▶ Ne placez pas de systèmes multiprises portatifs ou d'alimentations portatives à l'arrière de l'appareil.
 - ▶ N'utilisez pas d'appareils électriques à l'intérieur des compartiments de conservation des aliments de l'appareil, sauf s'ils correspondent aux modèles recommandés par le fabricant.
 - ▶ Ne rangez pas des substances explosives comme des bombes d'aérosol contenant un combustible inflammable dans cet appareil.

**AVERTISSEMENT !**

- ▶ Tenez la fiche, pas le câble, lorsque vous débranchez l'appareil.
- ▶ Ne nettoyez pas l'appareil à l'aide de brosses dures, de brosses métalliques, de détergents en poudre, d'essence, d'acétate d'amyle, d'acétone et de solutions organiques similaires, d'acides ou de solutions alcalines. Nettoyez-le avec un détergent spécial pour réfrigérateur afin d'éviter de l'endommager.
- ▶ Ne raclez pas le givre et la glace avec des objets tranchants. N'utilisez pas de pulvérisateurs ni de réchauffeurs électriques comme des nettoyeurs à vapeur, des sèche-cheveux ou d'autres sources de chaleur pour éviter d'endommager les pièces en plastique.
- ▶ N'utilisez pas de dispositifs mécaniques ou d'autres moyens pour accélérer le processus de dégivrage, hormis ceux recommandés par le fabricant.
- ▶ Si le cordon d'alimentation est endommagé, faites-le remplacer par le fabricant, le service clientèle ou un électricien qualifié pour éviter tout risque d'accident.
- ▶ N'essayez pas de réparer, démonter ou modifier l'appareil vous-même. En cas de réparation, veuillez contacter notre service clientèle.
- ▶ Éliminez la poussière à l'arrière de l'appareil au moins une fois par an pour éviter tout risque d'incendie, ainsi que l'augmentation de la consommation d'énergie.
- ▶ Ne pulvérisez pas et ne rincez pas l'appareil pendant le nettoyage.
- ▶ N'utilisez pas de jet d'eau ou de vapeur pour nettoyer l'appareil.
- ▶ Ne nettoyez pas les clayettes froides en verre à l'eau chaude. Un changement soudain de température peut casser le verre.

Informations sur les gaz réfrigérants**AVERTISSEMENT !**

L'appareil contient de l'ISOBUTANE, un réfrigérant inflammable (R600a). Assurez-vous que le circuit du réfrigérant n'est pas endommagé pendant le transport ou l'installation. Les fuites de frigorigène peuvent provoquer des blessures oculaires ou s'enflammer. Si un dommage s'est produit, gardez les sources de feu ouvert à l'écart, aérez complètement la pièce, ne branchez pas ou ne débranchez pas les cordons d'alimentation de l'appareil ou de tout autre appareil. Informez le service clientèle.

En cas de contact du réfrigérant avec les yeux, rincez-les immédiatement à l'eau courante et appelez immédiatement un oculiste.

Cet appareil est destiné à réfrigérer et à congeler les aliments. Il a été conçu exclusivement pour une utilisation dans les habitations et des applications similaires telles que les espaces de cuisine dans les magasins, bureaux et autres environnements de travail; les habitations rurales et par les clients dans les hôtels, motels et autres environnements de type résidentiel, ainsi que dans les chambres d'hôtes ou B&B et activités de restauration. Il n'est pas destiné à un usage commercial ou industriel. Les changements ou modifications apportés à l'appareil ne sont pas autorisés. Une utilisation non prévue peut entraîner des risques et la perte de garantie.

Normes et directives

Ce produit satisfait aux exigences de toutes les directives CE applicables avec les normes harmonisées correspondantes, qui prévoient le marquage CE.

PROCÉDURE D'APPAIRAGE DANS L'APPLICATION

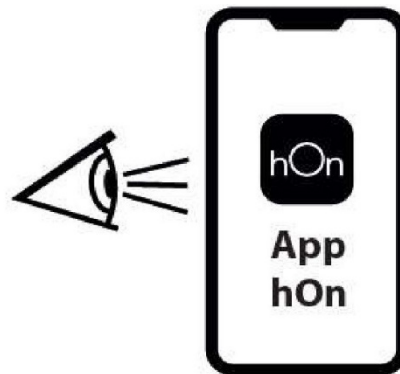
Étape 1 • Téléchargez l'application hOn dans les stores



Étape 2 • Créez votre compte sur l'application hOn ou connectez-vous si vous possédez déjà un compte



Étape 3 • Suivez les instructions d'appairage dans l'application hOn

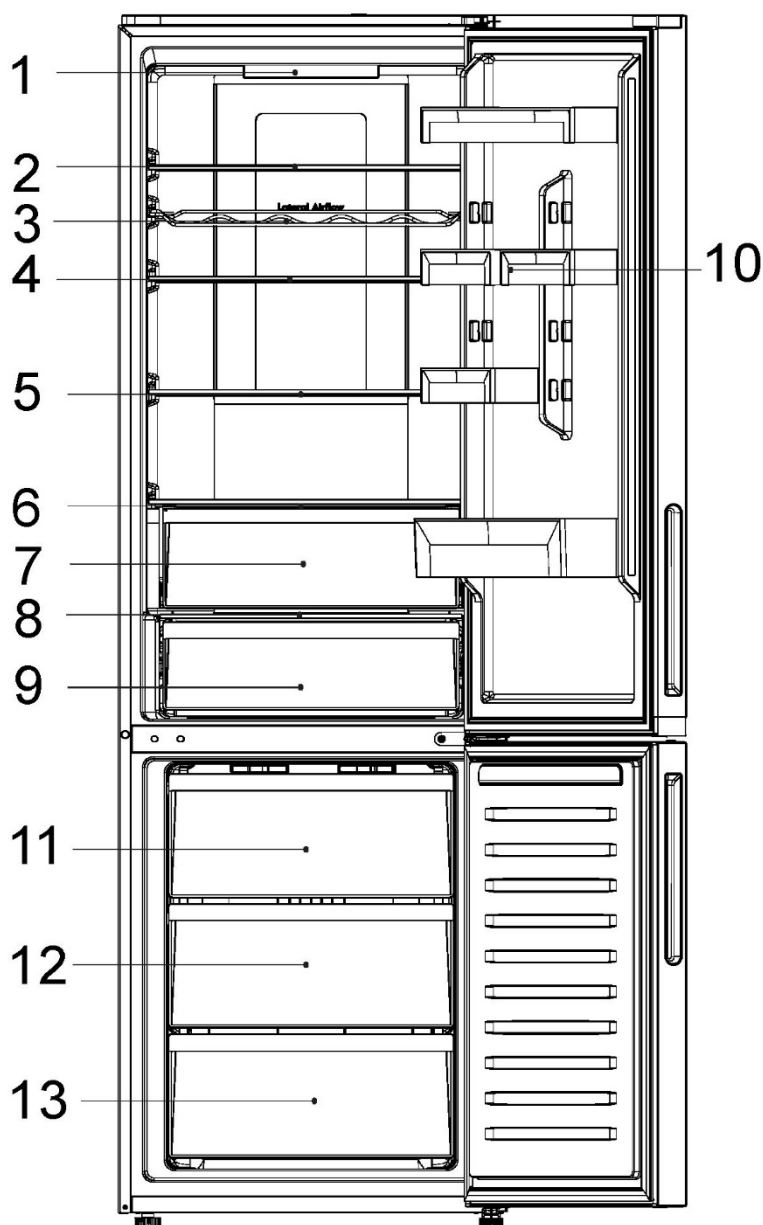


Module radio - Données techniques

Taux de fréquence (OFR)	2400 MHz-2843,5 MHz
Fréquences des canaux	2412...2472 MHz (pas de 5 MHz)
Puissance maximale (PIRE)	100 mW


REMARQUE

En raison des changements techniques et de différents modèles, certaines des illustrations de ce manuel peuvent différer de votre modèle.



CNCQ4T620EX
 CNCQ4T620EB
 CNCQ4T620DX
 CNCQ4T620EW
 CNCQ4T620DW
 CNCQ4T620CX

A: Compartiment réfrigérateur

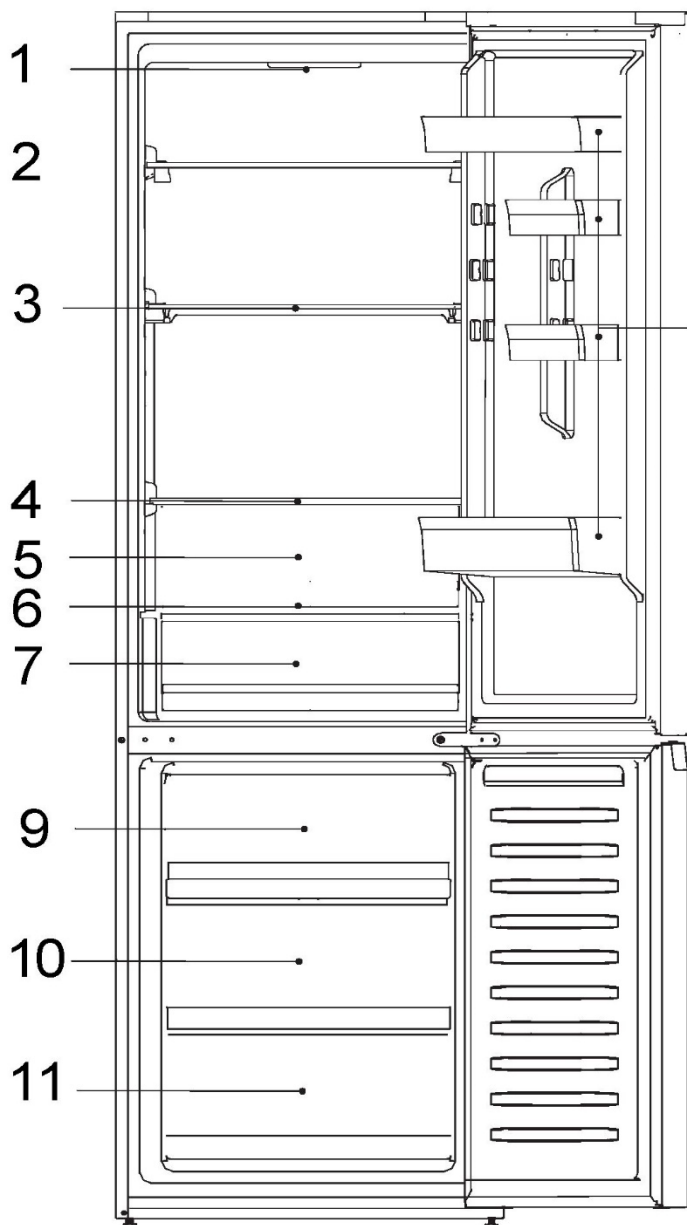
- 1- Panneau de commande
- 2- Clayette en verre
- 3- Porte-bouteilles
- 4- Clayette en verre
- 5- Clayette en verre
- 6- Couvercle du tiroir
- 7- Tiroir Humidity Area
- 8- Couvercle du tiroir
- 9- Tiroir Fresh 0 °C
- 10- Balconnet de porte

B: Compartiment congélateur

- 11- Tiroir de rangement supérieur du congélateur
- 12- Tiroir de rangement central du congélateur
- 13- Tiroir de rangement inférieur du congélateur

i REMARQUE

En raison des changements techniques et de différents modèles, certaines des illustrations de ce manuel peuvent différer de votre modèle.



CNCQ4T618DW
CNCQ4T618CX
CNCQ4T618EX
CNCQ4T618EB
CNCQ4T618EW

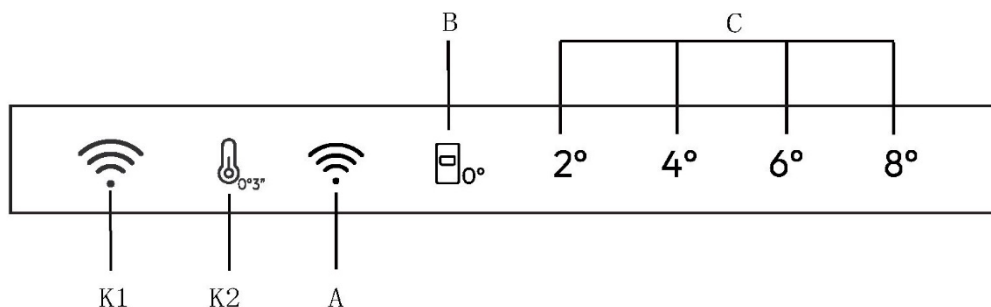
A: Compartiment réfrigérateur

- 1- Panneau de commande
- 2- Clayette en verre
- 3- Clayette en verre
- 4- Clayette en verre
- 5- Tiroir Humidity Zone
- 6- Couvercle du tiroir
- 7- Tiroir Fresh 0 °C
- 8- Balconnet de porte

B: Compartiment congélateur

- 9- Tiroir de rangement supérieur du congélateur
- 10- Tiroir de rangement central du congélateur
- 11- Tiroir de rangement inférieur du congélateur

Panneau de commande



Boutons

- K1 Activation/désactivation de la fonction Wi-Fi.
- K2 Touche marche/arrêt de sélection de la température, utilisée pour activer/désactiver les indicateurs Fresh 0 °C
- A Affichage du Wi-Fi.

Indicateurs

- B Fonction Fresh 0 °C
- C Affichage de la température du réfrigérateur

Avant la première utilisation


- Retirez tous les emballages, gardez-les hors de la portée des enfants, puis jetez-les d'une manière respectueuse de l'environnement.
- Nettoyez l'intérieur et l'extérieur de l'appareil ainsi que les accessoires avec de l'eau et un détergent doux, puis séchez-le bien avec un chiffon doux.
- Une fois l'appareil de niveau et nettoyé, attendez au moins 2 heures avant de le brancher à l'alimentation électrique. Voir la section INSTALLATION.
- Pré-réfrigérez les compartiments à des réglages élevés avant de les remplir d'aliments.

Boutons mécaniques

Les boutons du panneau de commande sont des boutons mécaniques.

Allumer / éteindre l'appareil

L'appareil fonctionne dès qu'il est branché sur l'alimentation électrique.

Lorsque le réfrigérateur est mis sous tension pour la première fois, l'indicateur « 4° » de « B » (affichage de la température du réfrigérateur) et l'indicateur «  0° » du tiroir de conservation à 0 °C s'allument.

La température du réfrigérateur et la température du congélateur sont automatiquement réglées à 4 °C et -20 °C respectivement. Le tiroir de conservation à 0 °C se met en marche.



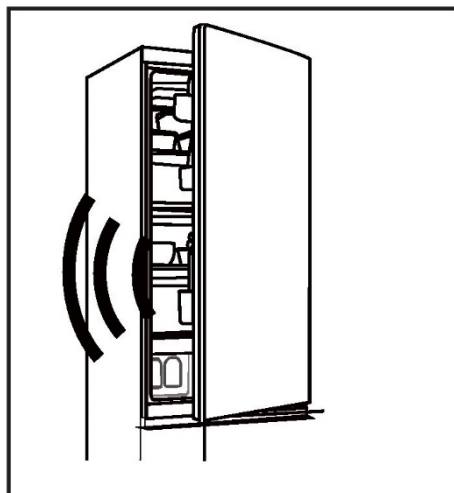
REMARQUE

L'appareil est préréglé à la température recommandée de 4 °C. Il s'agit des réglages recommandés. Si vous le souhaitez, vous pouvez modifier ces températures manuellement.

Alarme d'ouverture de porte

Lorsque la porte du réfrigérateur reste ouverte pendant plus de 3 minutes, l'alarme d'ouverture de porte retentit.

L'alarme peut être interrompue en fermant la porte. Si la porte reste ouverte pendant plus de 7 minutes, la lumière à l'intérieur du réfrigérateur et l'éclairage du panneau de commande s'éteignent automatiquement.



Marche/Arrêt

Lorsque l'appareil est sous tension, appuyez sur le bouton K1 pendant 3 secondes, l'appareil passe en mode veille, le compresseur s'arrête de fonctionner et le voyant s'éteint. Lorsque l'appareil est en mode veille, appuyez sur le bouton K1 pendant 3 secondes, l'appareil est sous tension, le compresseur fonctionne et le voyant s'allume.

Réglage de la température

Les températures intérieures sont influencées par les facteurs suivants :

Température ambiante



Fréquence d'ouverture de la porte
Quantité d'aliments stockés
Installation de l'appareil

Régler la température du compartiment réfrigérateur/congérateur


1. Appuyez sur la touche « K2 » (Sélection de la température du réfrigérateur) pour sélectionner la température du réfrigérateur ;
2. L'indicateur « B » (affichage de la température du réfrigérateur) s'allume alternativement comme suit ;

2° → 4° → 6° → 8°

3. Lorsque vous sélectionnez la température du réfrigérateur sur le panneau de commande, la température correspondante pour le congélateur est de 2° (-22°) → 4° (-20°) → 6° (-18°) → 8° (-16°).

Fonction Fresh 0 °C

Pour entrer dans le mode « 0 °C », avec la porte du réfrigérateur ouverte, appuyez sur la touche K2 pendant 3 secondes. Un signal sonore se déclenche, l'indicateur «  0° » s'allume, la température de Fresh 0 °C sera proche de 0 °C.

Pour sortir du mode « 0° », avec la porte du réfrigérateur ouverte, appuyez sur la touche K2 pendant 3 secondes et un signal sonore se déclenche, l'indicateur «  0° » s'éteint ; la température du tiroir « 0° » change avec la température du réfrigérateur.

Réglage du niveau

Une fois que le Wi-Fi du réfrigérateur est connecté avec succès, vous pouvez régler le niveau via l'application. Après le réglage, les indicateurs C s'éteignent. Le voyant de la porte clignote une fois pour chaque réglage de niveau réussi.

La plage de réglage du réfrigérateur est la suivante : 2°, 3°, 4°, 5°, 6°, 7°, 8° ;

La plage de réglage du congélateur est la suivante : -24°, -23°, -22°, -21°, -20°, -19°, -18°, -17°, -16°.

La fonction Fresh 0 °C peut être ouverte ou fermée.

Fonction Super Freeze

1. Les aliments frais doivent être congelés le plus rapidement possible au cœur. Cela permet de préserver la meilleure valeur nutritionnelle, l'aspect et le goût des aliments. La fonction Super Freeze accélère la congélation des aliments frais et protège les aliments déjà entreposés du réchauffement indésirable. Si vous avez besoin de congeler une grande quantité d'aliments en une fois, il est recommandé de régler la fonction Super Freeze à l'avance pendant 24h avant d'utiliser la chambre congelée.

2. Vous pouvez accéder à la fonction Super Freeze par l'intermédiaire de l'application, et à ce moment-là, les icônes C du panneau d'affichage sont éteintes.



REMARQUE

1. L'appareil quitte la « fonction Super Freeze » après que celle-ci a été activée pendant 50 heures ou après avoir appuyé sur « K2 » ou l'avoir éteint à partir de l'application.
2. Dans le mode Super Freeze, vous ne pouvez pas régler la température du compartiment de congélation.



Fonction Super Cool

1. Il est suggéré d'activer la fonction Super Cool lorsqu'une grande quantité d'aliments doit être conservée (par exemple après avoir fait les courses). La fonction Super Cool accélère le refroidissement des aliments frais et protège les aliments déjà entreposés du réchauffement indésirable.
2. Vous pouvez accéder à la fonction Super Cool par l'intermédiaire de l'application et, à ce moment-là, les icônes C du panneau d'affichage sont éteintes.



REMARQUE

1. L'appareil quitte la « fonction Super Cool » après que celle-ci a été activée pendant 6 heures ou après avoir appuyé sur « K2 » ou après l'avoir éteinte à partir de l'application.
2. Dans le mode Super Cool, vous ne pouvez pas régler la température du compartiment réfrigérateur.

Fonction Holiday

La fonction Holiday peut être utilisée pour réduire la consommation d'énergie de l'appareil lorsqu'il n'est pas utilisé régulièrement. Lorsque la fonction est activée, le réfrigérateur est éteint, tandis que le congélateur continue de fonctionner normalement. Cette fonction permet de régler la température du réfrigérateur de façon permanente à 17 °C.

Vous pouvez accéder à la fonction Holiday par l'intermédiaire de l'application et, à ce moment-là, les icône C du panneau d'affichage sont éteintes.



REMARQUE

La fonction peut être désactivée en réglant la température du réfrigérateur ou en effectuant tout autre réglage, ou encore en l'éteignant à partir de l'application. Lorsque le mode Holiday est activé, le voyant réfrigéré est éteint.

Fonction d'interconnexion Wi-Fi

Lorsque la porte du réfrigérateur est ouverte, appuyez longuement sur la touche K1 pendant 3 secondes, le réfrigérateur émet un signal sonore, l'icône A clignote rapidement et le Wi-Fi passe en phase de configuration.

Alarme de porte ouverte et conseils de dépannage

Porte du réfrigérateur ouverte jusqu'à 3 minutes sans être fermée, le réfrigérateur émet un bip-bip-bip-bip, tandis que le voyant de la porte clignote ; si le temps d'ouverture de la porte atteint 13 minutes et que la porte du réfrigérateur n'est toujours pas fermée, le réfrigérateur n'émet plus de bip sonore et le voyant de la porte continue de clignoter. Si la porte du réfrigérateur-congélateur est fermée et que le réfrigérateur émet toujours un bip-bip-bip ou le voyant de la porte continue de clignoter, il se peut que les pièces du réfrigérateur soient défectueuses, veuillez contacter le personnel du service après-vente dès que possible

Mémoire en cas de coupure de courant



Lorsque le réfrigérateur est éteint, l'état de fonctionnement instantané de la panne de courant est mémorisé, et lorsque le courant est rétabli, le réfrigérateur continue de fonctionner selon le niveau réglé et l'état de fonctionnement avant la panne de courant.

Conseils pour conserver des aliments frais

Conservation dans le compartiment réfrigérateur

Conservez la température de votre réfrigérateur en dessous de 5 °C.

Les aliments chauds doivent avoir refroidi à température ambiante avant d'être placés dans l'appareil.

Les aliments conservés au réfrigérateur doivent être lavés et essuyés avant de les entreposer.

Les aliments à conserver doivent être bien emballés hermétiquement pour éviter les odeurs ou l'altération du goût.

Ne conservez pas des quantités excessives d'aliments. Laissez de la place entre les aliments pour permettre à l'air froid de circuler autour d'eux, pour un refroidissement meilleur et plus homogène.

Les aliments consommés quotidiennement doivent être conservés à l'avant de la clayette. Laissez un espace entre les aliments et les parois intérieures, pour permettre la circulation de l'air. Ne placez en aucun cas d'aliments contre la paroi arrière : les aliments pourraient y geler. Évitez tout contact direct des aliments (en particulier les aliments gras ou acides) avec le revêtement intérieur, car l'huile / l'acide peut éroder le revêtement intérieur. Nettoyez les saletés grasses/acides chaque fois que vous en découvrez.

Les aliments congelés peuvent être légèrement décongelés dans le compartiment du réfrigérateur. Cela permet d'économiser de l'énergie.

Le vieillissement des fruits et des légumes comme les courgettes, les melons, la papaye, la banane, l'ananas, etc. peut être accéléré au réfrigérateur. Par conséquent, il n'est pas recommandé de les conserver au réfrigérateur. Cependant, la maturation des fruits très verts peut être favorisée pendant une certaine période. Les oignons, l'ail, le gingembre et les autres légumes-racines doivent également être conservés à température ambiante.

Les odeurs désagréables à l'intérieur du réfrigérateur sont un signe que quelque chose a été renversé et qu'il faut nettoyer. Voir Entretien et nettoyage.

Différents aliments doivent être placés dans différents endroits en fonction de leurs propriétés.

Conservation dans le compartiment congélateur

- Maintenez la température du congélateur à -18 °C.
- Les aliments chauds doivent avoir refroidi à température ambiante avant d'être placés dans le compartiment congélateur.
- Les aliments coupés en petites portions congèleront plus rapidement et seront plus faciles à décongeler et à cuire. Le poids recommandé pour chaque portion est inférieur à 2,5 kg



- Il vaut mieux emballer les aliments avant de les mettre dans le congélateur. L'extérieur de l'emballage doit être sec pour éviter que les sacs ne collent les uns aux autres. Les matériaux d'emballage doivent être exempts d'odeurs, étanches à l'air et non toxiques.
- Afin d'éviter l'expiration des périodes de conservation, veuillez noter la date de congélation, la limite de temps et le nom des aliments présents sur l'emballage en fonction des périodes de conservation des différents aliments.



AVERTISSEMENT !

les acides, les alcalis et le sel, etc., pourraient éroder la surface interne du congélateur.

- Ne placez pas les aliments contenant ces substances (par ex. poissons de mer) directement sur la surface interne. L'eau salée dans le congélateur doit être nettoyée immédiatement.
- Ne dépassez pas le temps de conservation des aliments recommandé par les fabricants. Ne sortez que la quantité requise d'aliments du congélateur.
- Consommez rapidement les aliments décongelés. Les aliments décongelés ne peuvent pas être recongelés à moins qu'ils ne soient d'abord cuits, sans quoi ils risqueraient de devenir impropres à la consommation.
- Ne pas mettre de quantités excessives d'aliments frais dans le compartiment congélateur. Reportez-vous à la capacité de congélation du congélateur - Voir les DONNÉES TECHNIQUES ou les données sur la plaque signalétique.
- Les aliments peuvent être conservés au congélateur à une température d'au moins -18 °C pendant 2 à 12 mois, en fonction de leurs propriétés (par ex. viande : 3-12 mois, légumes : 6-12 mois).
- Lorsque vous congélez des aliments frais, évitez de les mettre en contact avec des aliments déjà congelés. Risque de décongélation !

Lorsque vous conservez des aliments surgelés achetés dans le commerce, veuillez suivre ces directives :

- Suivez toujours les directives du fabricant pour la durée de conservation des aliments. Ne dépassez pas ces directives !
- Essayez de garder le temps entre l'achat et le stockage le plus court possible pour préserver la qualité des aliments.
- Achetez des aliments surgelés, qui ont été conservés à une température de -18 °C ou moins.
- Évitez d'acheter des aliments qui ont de la glace ou du givre sur l'emballage : cela indique que les produits ont pu être partiellement décongelés et recongelés à un certain moment et les hausses de température affectent la qualité des aliments.

Réglage du mode Wi-Fi

PROCÉDURE D'APPAIRAGE DANS L'APPLICATION

Étape 1 • Téléchargez l'application hOn dans les stores



Étape 2 • Créez votre compte sur l'application hOn ou connectez-vous si vous possédez déjà un compte



Étape 3 • Suivez les instructions d'appairage dans l'application hOn



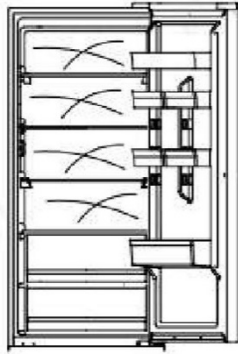
Module radio - Données techniques

Taux de fréquence (OFR)	2400 MHz-2843,5 MHz
Fréquences des canaux	2412...2472 MHz (pas de 5 MHz)
Puissance maximale (PIRE)	100 mW



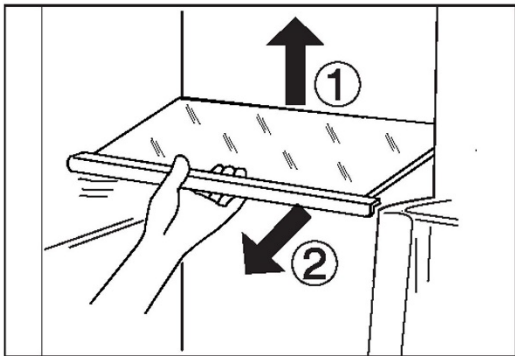
REMARQUE

En raison des différents modèles, votre produit peut ne pas avoir toutes les fonctions suivantes. Reportez-vous au chapitre Description du produit.



Flux multi-air

Le réfrigérateur est équipé d'un système à flux multi-air, avec lequel des flux d'air froids se trouvent au niveau de chaque clayette. Cela permet de maintenir une température uniforme afin de garantir que vos aliments conservent leur fraîcheur pendant plus longtemps.

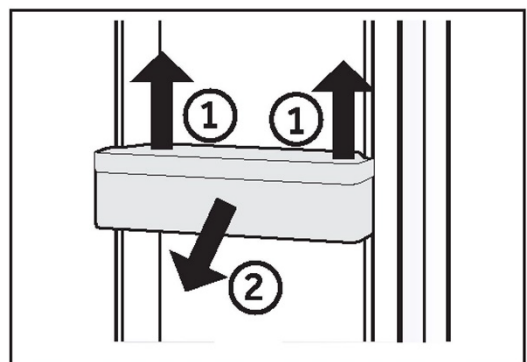


Clayettes réglables

1. La hauteur des clayettes peut être réglée en fonction de vos besoins de rangement.
2. Pour déplacer une clayette, retirez-la d'abord en levant son bord arrière ① et en la tirant ②.
3. Pour la remettre en place, placez-la sur les ergots des deux côtés et poussez-la dans la position la plus reculée jusqu'à ce que l'arrière de la clayette soit fixé à l'intérieur des fentes sur les côtés.

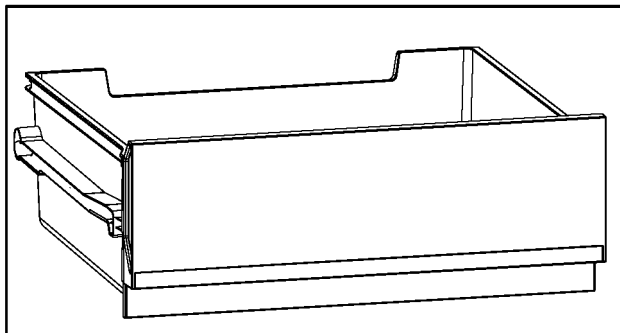
Balconnets de porte amovibles/ Porte-bouteille

1. Les balconnets de porte peuvent être retirés pour le nettoyage :
2. Placez les mains de chaque côté du balconnet, soulevez-le ① et tirez-le ②.
3. Pour insérer le balconnet de porte, vous devez suivre les étapes ci-dessus dans l'ordre inverse.



Tiroir de rangement du réfrigérateur

Pour l'utilisation et le réglage du compartiment de rangement du réfrigérateur, veuillez consulter la section UTILISATION.



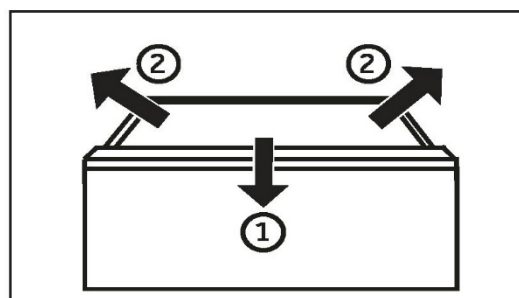
Tiroir du congélateur

Le tiroir du congélateur peut être sorti entièrement en le gardant bien droit. Ils sont montés sur un rail télescopique à roulettes, afin que vous puissiez stocker et retirer les aliments congelés confortablement. Grâce au mécanisme de fermeture automatique de la porte, la manipulation est facile et vous économisez de l'énergie.

Tiroir amovible

Pour retirer le tiroir, sortez-le au maximum (1), soulevez-le et retirez-le (2).

Pour introduire le tiroir, vous devez effectuer les étapes ci-dessus dans l'ordre inverse.



AVERTISSEMENT !

Ne surchargez pas les tiroirs: Charge maximale de chaque tiroir : 35 kg !

La lumière

La lumière LED à l'intérieur s'allume lorsque la porte est ouverte. Le fonctionnement des lampes n'est affecté par aucun des autres réglages de l'appareil.



Conseils d'économie d'énergie

- ▶ Assurez-vous que l'appareil est bien ventilé (voir INSTALLATION).
- ▶ N'installez pas l'appareil en plein soleil ou à proximité de sources de chaleur (par ex. cuisinières, chauffages).
- ▶ Évitez une température inutilement basse dans l'appareil. Plus vous réglez une température basse dans l'appareil, plus la consommation d'énergie augmente.
- ▶ Laissez les aliments chauds refroidir avant de les mettre dans l'appareil.
- ▶ Ouvrez la porte de l'appareil le moins souvent et le plus brièvement possible.
- ▶ Ne remplissez pas trop l'appareil pour éviter de bloquer la circulation de l'air.
- ▶ Évitez l'air dans l'emballage des aliments.
- ▶ Gardez les joints de la porte propres afin que la porte se ferme toujours correctement.
- ▶ La configuration la plus économe en énergie nécessite que le tiroir, le bac de rangement et les clayettes soient positionnés dans l'appareil dans les conditions d'usine, et que les aliments soient placés sans bloquer la sortie d'air du conduit.



AVERTISSEMENT !

Débranchez l'appareil de l'alimentation électrique avant de le nettoyer.

Nettoyage

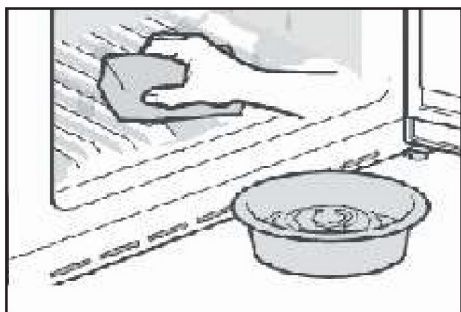
Nettoyez l'appareil lorsqu'il n'y a qu'un peu de nourriture ou qu'il n'y a pas de nourriture à l'intérieur.

L'appareil doit être nettoyé toutes les quatre semaines pour un bon entretien et pour éviter les mauvaises odeurs des aliments conservés à l'intérieur.



AVERTISSEMENT !

- ▶ Ne nettoyez pas l'appareil à l'aide de brosses dures, de brosses métalliques, de détergents en poudre, d'essence, d'acétate d'amyle, d'acétone et de solutions organiques similaires, d'acides ou de solutions alcalines. Nettoyez-le avec un détergent spécial pour réfrigérateur afin d'éviter de l'endommager.
- ▶ Ne pulvérisez pas et ne rincez pas l'appareil pendant le nettoyage.
- ▶ N'utilisez pas de jet d'eau ou de vapeur pour nettoyer l'appareil.
- ▶ Ne nettoyez pas les clayettes froides en verre à l'eau chaude. Un changement soudain de température peut casser le verre.
- ▶ Ne touchez pas la surface intérieure du compartiment de l'appareil, en particulier avec les mains mouillées, car vos mains peuvent geler sur la surface.



- ▶ Gardez toujours le joint de la porte propre.
- ▶ Nettoyez l'intérieur et le bâti de l'appareil à l'aide d'une éponge imbibée d'eau tiède et de détergent neutre.
- ▶ Veuillez frotter l'intérieur et l'extérieur du réfrigérateur, y compris le joint de porte, le porte-bouteille, les clayettes en verre, les boîtes, etc., avec un torchon doux ou une éponge imbibée d'eau chaude (vous pouvez ajouter un détergent neutre dans l'eau chaude).
- ▶ S'il y a du liquide renversé, retirez toutes les parties contaminées, rincez-les directement sous l'eau du robinet, séchez-les et remettez-les dans le réfrigérateur.
- ▶ S'il y a de la crème (par exemple de la crème, de la crème glacée qui fond), retirez toutes les parties contaminées, placez-les dans de l'eau chaude à 40 °C pendant un certain temps, puis rincez-les à l'eau courante, séchez-les et remettez-les dans le réfrigérateur.
- ▶ Si une petite pièce ou un élément reste coincé à l'intérieur du réfrigérateur (entre les clayettes ou les tiroirs), utilisez une petite brosse souple pour l'éliminer. Si vous ne pouvez pas atteindre la pièce, veuillez contacter le service clientèle Haier
- ▶ Rincez et séchez avec un chiffon doux.
- ▶ Ne nettoyez aucune des parties de l'appareil au lave-vaisselle.
- ▶ Attendez au moins 7 minutes avant de redémarrer l'appareil, car un démarrage fréquent risque d'endommager le compresseur.

Dégivrage

Le dégivrage des compartiments réfrigérateur et congélateur se fait automatiquement ; aucune opération manuelle n'est nécessaire.

Remplacement des lampes LED



AVERTISSEMENT !

Ne remplacez pas la lampe LED vous-même, elle ne doit être remplacée que par le fabricant ou l'agent de maintenance agréé.

Les lampes utilisent des LED comme source lumineuse, avec une faible consommation d'énergie et une longue durée de vie. En cas d'anomalie, veuillez contacter le service clientèle. Reportez-vous au paragraphe SERVICE CLIENTÈLE.

Paramètres des lampes :

Compartiment réfrigérateur : 12 V max 1,5 W

Non-utilisation pendant une période prolongée

Si l'appareil n'est pas utilisé pendant une période prolongée :

Sortez les aliments.

Débranchez le cordon d'alimentation.

Nettoyez l'appareil selon les instructions ci-dessus.

Gardez les portes ouvertes pour éviter la formation de mauvaises odeurs à l'intérieur.



REMARQUE

N'éteignez l'appareil que si cela est strictement nécessaire.

Déplacement de l'appareil

1. Retirez tous les aliments et débranchez l'appareil.
2. Fixez les clayettes et les autres parties mobiles dans le réfrigérateur et dans le congélateur avec du ruban adhésif.
3. N'inclinez pas le réfrigérateur à plus de 45° pour éviter d'endommager le système de réfrigération.



AVERTISSEMENT !

- ▶ Ne soulevez pas l'appareil par ses poignées.
- ▶ Ne placez jamais l'appareil à l'horizontale sur le sol.

Vous pouvez résoudre de nombreux problèmes vous-même sans expertise spécifique. En cas de problème, veuillez vérifier toutes les possibilités indiquées et suivre les instructions ci-dessous avant de contacter un service clientèle. Reportez-vous au paragraphe SERVICE CLIENTÈLE.



AVERTISSEMENT !

- ▶ Avant l'entretien, désactivez l'appareil et débranchez la fiche secteur de la prise secteur.
- ▶ L'équipement électrique ne doit être entretenu que par des experts en électricité qualifiés, car des réparations inappropriées peuvent causer des dommages consécutifs considérables.
- ▶ Une alimentation endommagée ne devrait être remplacée que par le fabricant, son agent de maintenance ou des personnes avec une qualification similaire de manière à éviter tout danger.

Problème	Cause possible	Solution possible
Le compresseur ne fonctionne pas.	<ul style="list-style-type: none"> • La fiche secteur n'est pas branchée dans la prise secteur. • L'appareil est en cours de dégivrage 	<ul style="list-style-type: none"> • Branchez la fiche secteur. • C'est normal pour un dégivrage automatique
L'appareil fonctionne fréquemment ou fonctionne trop longtemps.	<ul style="list-style-type: none"> • La température intérieure ou extérieure est trop élevée. • L'appareil a été hors tension pendant un certain temps. • Une porte de l'appareil n'est pas bien fermée. • La porte a été ouverte trop fréquemment ou trop longtemps. • Le réglage de la température du compartiment congélateur est trop bas. 	<ul style="list-style-type: none"> • Dans ce cas, il est normal que l'appareil fonctionne plus longtemps. • Normalement, il faut 8 à 12 heures pour que l'appareil refroidisse complètement. • Fermez la porte/le tiroir et assurez-vous que l'appareil est situé sur un sol à niveau et qu'il n'y a pas d'aliment ou de récipient bloquant la porte. • N'ouvrez pas trop souvent la porte/le tiroir. • Réglez une température plus élevée jusqu'à l'obtention d'une température satisfaisante dans le réfrigérateur. Il faut 24 heures pour que la température du réfrigérateur devienne stable.



Problème	Cause possible	Solution possible
	<ul style="list-style-type: none"> Le joint de la porte est sale, usé, fissuré ou ne correspond pas. La circulation de l'air requise n'est pas garantie. 	<ul style="list-style-type: none"> Nettoyez le joint de la porte/du tiroir ou faites-le remplacer par le service clientèle. Assurez une ventilation adéquate.
L'intérieur du réfrigérateur est sale et/ou sent.	<ul style="list-style-type: none"> L'intérieur du réfrigérateur a besoin d'être nettoyé. Des aliments à forte odeur sont conservés au réfrigérateur. 	<ul style="list-style-type: none"> Nettoyez l'intérieur du réfrigérateur. Enveloppez soigneusement les aliments.
Il ne fait pas suffisamment froid à l'intérieur de l'appareil.	<ul style="list-style-type: none"> La température réglée est trop élevée. Des produits trop chauds ont été stockés. Trop d'aliments ont été mis à l'intérieur en même temps. Les aliments sont trop proches les uns des autres. Une porte/un tiroir de l'appareil n'est pas bien fermé(e). La porte/le tiroir a été ouvert(e) trop fréquemment ou trop longtemps. 	<ul style="list-style-type: none"> Réinitialisez la température. Laissez toujours refroidir les aliments avant de les mettre à l'intérieur. Conservez toujours de petites quantités d'aliments. Laissez de la place entre plusieurs aliments pour permettre la circulation de l'air. Fermez la porte/le tiroir. N'ouvrez pas trop souvent la porte/le tiroir.
Il fait trop froid à l'intérieur de l'appareil.	<ul style="list-style-type: none"> La température réglée est trop basse. 	<ul style="list-style-type: none"> Réinitialisez la température.
Formation d'humidité à l'intérieur du compartiment du réfrigérateur.	<ul style="list-style-type: none"> Le climat est trop chaud et trop humide. Une porte/un tiroir de l'appareil n'est pas bien fermé(e). La porte/le tiroir a été ouvert(e) trop fréquemment ou trop longtemps. Les récipients contenant des aliments ou des liquides sont laissés ouverts. 	<ul style="list-style-type: none"> Augmentez la température. Fermez la porte/le tiroir. N'ouvrez pas trop souvent la porte/le tiroir. Laissez refroidir les aliments chauds à température ambiante et couvrez les aliments et les liquides.



Problème	Cause possible	Solution possible
L'humidité s'accumule sur le réfrigérateur à l'extérieur de la surface ou entre les portes / la porte et le tiroir.	<ul style="list-style-type: none">• Le climat est trop chaud et trop humide.• La porte n'est pas fermée hermétiquement. L'air froid de l'appareil et l'air chaud à l'extérieur de celui-ci se condense.	<ul style="list-style-type: none">• C'est normal dans un climat humide et cela va changer lorsque l'humidité diminuera.• Assurez-vous que la porte/le tiroir est bien fermé(e).
Glace dure et givre dans le compartiment congélateur.	<ul style="list-style-type: none">• Les produits n'ont pas été correctement emballés.• Une porte/un tiroir de l'appareil n'est pas bien fermé(e).• La porte/le tiroir a été ouvert(e) trop fréquemment ou trop longtemps.• Le joint de la porte/du tiroir est sale, usé, fissuré ou ne correspond pas.• Quelque chose à l'intérieur empêche la porte / le tiroir de se fermer correctement.	<ul style="list-style-type: none">• Emballez toujours bien les produits.• Fermez la porte/le tiroir. • N'ouvrez pas trop souvent la porte/le tiroir.• Nettoyez le joint de la porte / du tiroir ou remplacez-les par des joints neufs.• Repositionnez les clayettes, les balconnets de porte ou les récipients à l'intérieur pour permettre à la porte / au tiroir de se fermer.
Les côtés de l'appareil et de la bande de la porte se réchauffent.	<ul style="list-style-type: none">• -	<ul style="list-style-type: none">• Cela est normal.
L'appareil émet des sons anormaux.	<ul style="list-style-type: none">• L'appareil n'est pas situé sur un sol plan.• L'appareil touche un objet situé à proximité.	<ul style="list-style-type: none">• Réglez le pied pour mettre l'appareil à niveau.• Retirez les objets autour de l'appareil.
Un léger son doit être entendu comme celui de l'eau courante.	<ul style="list-style-type: none">• -	<ul style="list-style-type: none">• Cela est normal.
Un bip d'alarme retentit.	<ul style="list-style-type: none">• La porte du compartiment de rangement du réfrigérateur est ouverte.	<ul style="list-style-type: none">• Fermez la porte.
Vous entendrez un petit hum.	<ul style="list-style-type: none">• Le système anti-condensation fonctionne.	<ul style="list-style-type: none">• Cela empêche la condensation et est normal.



Problème	Cause possible	Solution possible
Le système d'éclairage ou de refroidissement à l'intérieur ne fonctionne pas.	<ul style="list-style-type: none"> Il est en mode démo 	<ul style="list-style-type: none"> Le réfrigérateur est branché sur le secteur et la porte du réfrigérateur est ouverte. Appuyez sur le bouton K1 et maintenez-le enfoncé, puis cliquez cinq fois sur le bouton K2 ; l'icône cesse alors de s'allumer de façon circulaire.
Le système d'éclairage ou de refroidissement à l'intérieur ne fonctionne pas.	<ul style="list-style-type: none"> La fiche secteur n'est pas branchée dans la prise secteur. L'alimentation n'est pas intacte. La lampe LED est hors service. 	<ul style="list-style-type: none"> Branchez la fiche secteur. Vérifiez l'alimentation électrique de la pièce. Appelez la société d'électricité locale ! Veillez appeler le service technique pour faire changer la lampe.

Pour contacter l'assistance technique, visitez notre site web :
<https://corporate.haier-europe.com/en/>

Dans la rubrique « site web », choisissez la marque de votre produit et votre pays. Vous serez redirigé vers le site web spécifique où vous trouverez le numéro de téléphone et le formulaire pour contacter l'assistance technique.

Coupure de courant

En cas de coupure de courant, les aliments devraient rester froids en toute sécurité pendant 5 heures environ. Suivez ces conseils pendant une coupure de courant prolongée, en particulier en été :

- ▶ Ouvrez la porte/le tiroir le moins possible.
- ▶ Ne mettez pas d'aliments supplémentaires dans l'appareil pendant une coupure de courant.
- ▶ Si un préavis de coupure de courant est donné et que la durée de la coupure est supérieure à 5 heures, préparez des glaçons et placez-les dans un récipient en haut du compartiment réfrigérateur.
- ▶ Une inspection des produits est requise immédiatement après la coupure de courant.
- ▶ Étant donné que la température du réfrigérateur augmentera lors d'une coupure de courant ou d'une autre panne, la durée de conservation et la qualité alimentaire des aliments seront réduites. Tout aliment décongelé doit être consommé ou cuit et recongelé (le cas échéant) peu de temps après afin de prévenir les risques pour la santé.

Fonction mémoire pendant la coupure de courant

Lorsque le courant revient, l'appareil continue à fonctionner avec les réglages réglés avant la panne de courant.

Déballage



AVERTISSEMENT !

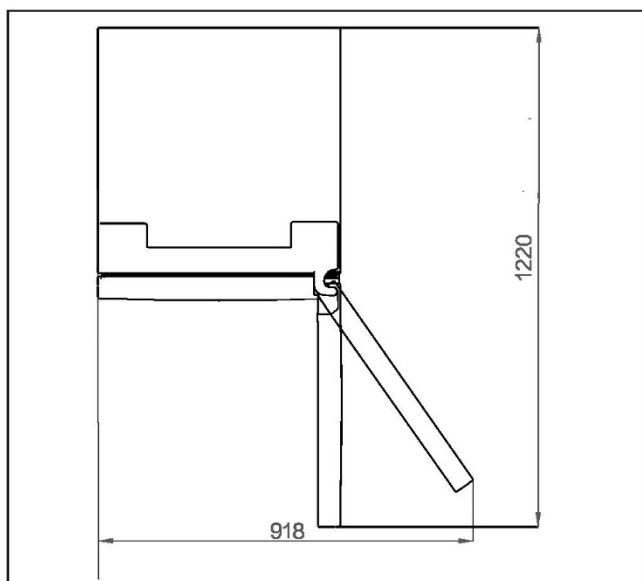
- ▶ L'appareil est lourd. Manipulez-le toujours avec au moins deux personnes.
- ▶ Conservez tous les emballages hors de la portée des enfants, puis jetez-les d'une manière respectueuse de l'environnement.
- ▶ Sortez l'appareil de l'emballage.
- ▶ Retirez tous les matériaux d'emballage.

Conditions environnementales

La température ambiante doit toujours être comprise entre 10°C et 43°C, pour ce réfrigérateur, par exemple, CNCQ2T620EX, CNCQ2T620EW, CNCQ2T618EX, CNCQ4T618EW, CNCQ4T618EB; ou bien la température ambiante doit toujours être comprise entre 10°C et 38°C, pour ce réfrigérateur, par exemple, CNCQ4T620DX, CNCQ4T620DW, car elle peut influencer la température à l'intérieur de l'appareil et la consommation d'énergie de ce dernier. N'installez pas l'appareil à proximité d'autres appareils générant de la chaleur (fours, réfrigérateurs) sans isolation.

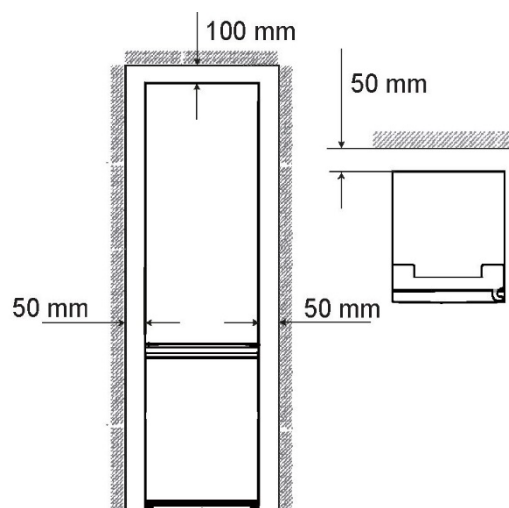
Espace requis

Espace recommandé pour la porte



Coupe transversale de ventilation

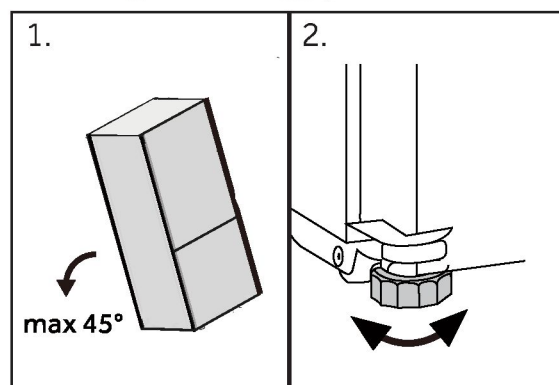
Pour obtenir une ventilation suffisante de l'appareil pour des raisons de sécurité, il est recommandé de respecter les informations relatives aux coupes transversales de ventilation.

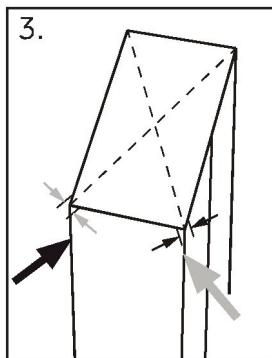


Alignement de l'appareil

L'appareil doit être placé sur une surface plane et solide.

1. Inclinez le réfrigérateur légèrement vers l'arrière.
 2. Réglez les pieds au niveau souhaité.
- Assurez-vous que la distance entre le mur et le côté de la charnière est d'au moins 100 mm pour que la porte s'ouvre correctement.



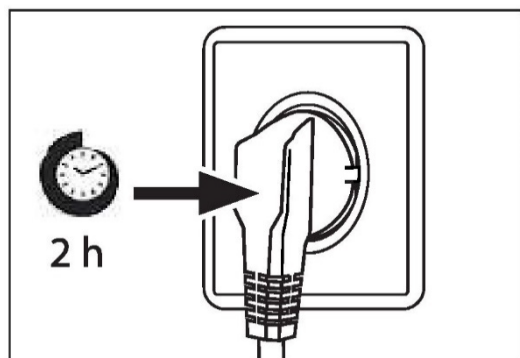


1. La stabilité peut être vérifiée en alternant les diagonales. Le léger flottement doit être le même dans les deux directions. Dans le cas contraire, le cadre peut se déformer ; cela se traduit par des fuites au niveau des joints de la porte. Une faible tendance vers l'arrière facilite la fermeture des portes.



REMARQUE

Pour un appareil en pose libre : cet appareil de réfrigération n'est pas destiné à être utilisé comme un appareil encastré.



Temps d'attente

L'huile de lubrification sans entretien se trouve dans la capsule du compresseur. Cette huile peut passer par le système fermé de tuyauterie pendant le transport incliné. Avant de brancher l'appareil sur l'alimentation électrique, attendez au moins 2 heures afin que l'huile revienne dans la capsule.

Branchement électrique

Avant chaque branchement, vérifiez si :

- ▶ l'alimentation, la prise et le fusible sont adaptés à la plaque signalétique.
- ▶ la prise de courant est mise à la terre et sans multiprise ni rallonge.
- ▶ la fiche d'alimentation et la prise sont adaptées l'une à l'autre.

Branchez la fiche sur une prise domestique correctement installée.



AVERTISSEMENT !

Pour éviter tout risque, un câble d'alimentation endommagé doit être remplacé par le service à la clientèle (voir carte de garantie).

Réversibilité de la porte

Avant de brancher l'appareil sur l'alimentation électrique, vérifiez si le battant de porte doit passer de droite (tel qu'il est livré) à gauche, lorsque cela est requis par l'emplacement d'installation et l'utilisation.



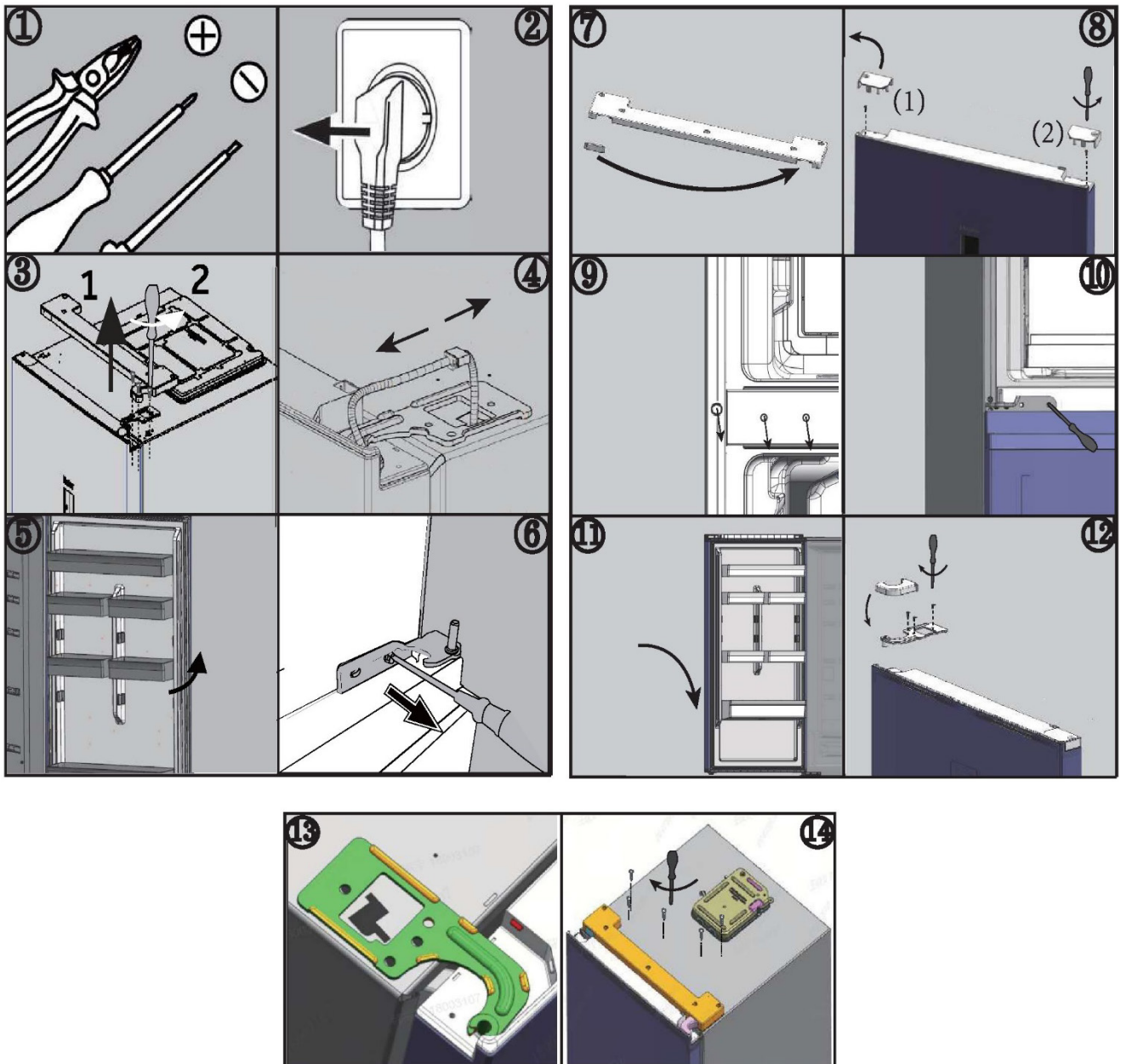
AVERTISSEMENT !

- ▶ L'appareil est lourd. Vous avez besoin de deux personnes pour changer la porte de côté.
- ▶ Avant toute opération, débranchez d'abord l'appareil du secteur.
- ▶ N'inclinez pas l'appareil à plus de 45° pour éviter d'endommager le système de refroidissement.

Étapes du montage

1. Munissez-vous de l'outil nécessaire.
2. Débranchez l'appareil.
3. Retirez le cache de la charnière supérieure 1 et dévissez la charnière supérieure (trois vis) sur le côté droit 2.
4. Soulevez soigneusement la porte du réfrigérateur défaite pour la retirer de la charnière centrale.
5. Retirez la charnière centrale.
6. Retirez le petit couvercle du panneau avant de gauche à droite.
7. Retournez la porte et dévissez le couvercle (1). Retirez le nouveau couvercle (2) du sac fourni et vissez-le sur le côté opposé.
8. Changez les positions des bouchons d'obturation et de la vis latérale.
9. Vissez la charnière centrale sur le côté gauche de l'appareil. Inversez le pivot de la charnière centrale, en veillant à ce que le côté avec le joint soit orienté vers le haut.
10. Soulevez avec précaution la porte supérieure sur la charnière centrale. Assurez-vous que le pivot s'insère dans le cylindre de charnière de la porte inférieure.
11. Sortez la nouvelle charnière supérieure et le nouveau couvercle de charnière du sac d'accessoires. Fixez la charnière supérieure à l'aide de trois vis sur le côté gauche de l'appareil. Ensuite, placez le couvercle sur la charnière.
12. Remplacez le panneau avant et fixez-le à l'aide de cinq vis.

Après le changement de porte, vérifiez si les joints de porte sont correctement placés sur le bâti et que toutes les vis sont bien serrées.



Températures ambiantes

Tempéré étendu : « cet appareil de réfrigération est destiné à être utilisé à des températures ambiantes allant de 10 °C à 32 °C » ;

Tempéré : « cet appareil de réfrigération est destiné à être utilisé à des températures ambiantes allant de 16 °C à 32 °C » ;

Subtropical : « cet appareil de réfrigération est destiné à être utilisé à des températures ambiantes allant de 16 °C à 38 °C » ;

Tropical : « cet appareil de réfrigération est destiné à être utilisé à des températures ambiantes allant de 16 °C à 43 °C ».

Paramètres du produit conformément au règlement (UE)2019/2016

D'après les résultats des tests standard pendant 24 heures. La consommation d'énergie réelle dépendra des conditions d'utilisation et de l'emplacement de l'appareil

Modèle	CNCQ4T620EW CNCQ4T620EX CNCQ4T620EB	CNCQ4T620DX CNCQ4T620DW	CNCQ4T620CX
Type d'appareil de réfrigération	Réfrigérateur-congélateur	Réfrigérateur-congélateur	Réfrigérateur-congélateur
Classe d'efficacité énergétique	E	D	C
Consommation d'énergie annuelle (kWh/an)	279	223	178
Volume du compartiment réfrigérateur (l)	289	289	289
Volume du compartiment congélateur (l)	120	120	120
Classe de congélation	4 étoiles	4 étoiles	4 étoiles
Type de dégivrage	Dégivrage automatique	Dégivrage automatique	Dégivrage automatique
Temps de montée en température (h)	11	11	13
Capacité de congélation (kg/24h)	10	10	10
Classe climatique	SN.N.ST	SN.N.ST.T	SN.N.ST.T



Modèle	CNCQ4T618DX	CNCQ4T618EW CNCQ4T618EX CNCQ4T618EB
Type d'appareil de réfrigération	Réfrigérateur-congélateur	Réfrigérateur-congélateur
Classe d'efficacité énergétique	D	E
Consommation d'énergie annuelle (kWh/an)	216	270
Volume du compartiment réfrigérateur (l)	235	235
Volume du compartiment congélateur (l)	120	120
Classe de congélation	4 étoiles	4 étoiles
Type de dégivrage	Dégivrage automatique	Dégivrage automatique
Temps de montée en température (h)	11	11
Capacité de congélation (kg/24h)	10	10
Classe climatique	SN.N.STT	SN.N.ST

Explications :

- Oui, fonction présente
- (1) Sur la base des résultats de l'essai de conformité aux normes pendant plus de 24 heures. La consommation réelle dépend de l'utilisation et de l'emplacement de l'appareil.
 - (2) Classe climatique SN : cet appareil est destiné à être utilisé à une température ambiante comprise entre +10 °C et +32 °C
 Classe climatique N : cet appareil est destiné à être utilisé à une température ambiante comprise entre +16 °C et +32 °C
 Classe climatique ST : cet appareil est destiné à être utilisé à une température ambiante comprise entre +16 °C et +38 °C
 Classe climatique T : cet appareil est destiné à être utilisé à une température ambiante comprise entre +16 °C et +43 °C

Données techniques supplémentaires

Modèle	CNCQ4T620EW CNCQ4T620EX CNCQ4T620EB	CNCQ4T620DX CNCQ4T620DW	CNCQ4T618EW CNCQ4T618EX CNCQ4T618EB
Volume total (L)	409	409	355
Tension/Fréquence	220-240 V ~/50 Hz	220-240 V ~/50 Hz	220-240 V ~/50 Hz
Intensité nominale (A)	0,9	1,4	0,9
Fusible principal (A)	15	15	15
Réfrigérant	R600a(53g)	R600a(53g)	R600a(53g)
Dimensions (L/P/H en mm)	595*667*2 050	595*667*2 050	595*667*1 850

Modèle	CNCQ4T620CX	CNCQ4T618DX
Volume total (L)	409	355
Tension/Fréquence	220-240 V ~/50 Hz	220-240 V ~/50 Hz
Intensité nominale (A)	1,4	1,4
Fusible principal (A)	15	15
Réfrigérant	R600a(50 g)	R600a(53g)
Dimensions (L/P/H en mm)	595*667*2 050	595*667*1 850



Nous recommandons notre Service clientèle Haier et l'utilisation de pièces détachées d'origine.

Si vous rencontrez un problème avec votre appareil, veuillez d'abord consulter le paragraphe DÉPANNAGE.

Si vous ne trouvez pas de solution, veuillez contacter

- ▶ votre revendeur local ou
- ▶ notre centre de service d'appel européen (voir les numéros de téléphone ci-dessous) ou
- ▶ l'espace Service & Assistance à l'adresse www.haier.com où vous pouvez activer la demande
- ▶ de service et trouver également les FAQ.

Pour contacter notre Service, assurez-vous que vous disposez des données suivantes. Les informations se trouvent sur la plaque signalétique.

Modèle _____

N° de série _____

Vérifiez également la carte de garantie fournie avec le produit en cas de garantie.

Centre de service d'appel européen		
Pays*	Numéro de téléphone	Coûts
Haier Italy (IT)	199 100 912	
Haier Spain (ES)	902 509 123	
Haier Germany (DE)	0180 5 39 39 99	<ul style="list-style-type: none"> • 14 centimes/min ligne fixe • max 42 centimes/min mobile
Haier Austria (AT)	0820 001205	<ul style="list-style-type: none"> • 14,53 centimes/min ligne fixe • max 20 centimes/min pour tous les autres
Haier United Kingdom (UK)	0333 003 8122	
Haier France (FR)	0980 406 409	



*Pour les autres pays, veuillez vous référer à www.haier.com

Haier Europe Trading S.r.l

Filiale Royaume-Uni

Westgate House, Westgate, Ealing

Londres, W5 1YY

*Durée de la garantie de l'appareil de réfrigération :

La garantie minimale est : 2 ans pour les pays de l'UE, 3 ans pour la Turquie, 1 an pour le Royaume-Uni, 1 an pour la Russie, 3 ans pour la Suède, 2 ans pour la Serbie, 5 ans pour la Norvège, 1 an pour le Maroc, 6 mois pour l'Algérie, aucune garantie légale pour la Tunisie.


*La période des pièces détachées pour la réparation de l'appareil :

Les thermostats, les capteurs de température, les circuits imprimés et les sources de lumière sont disponibles pendant une période minimale de sept ans après la mise sur le marché de la dernière unité du modèle.

Poignées de porte, charnières de porte, bacs et paniers pendant une période minimale de sept ans et joints de porte pendant une période minimale de 10 ans, après la mise sur le marché de la dernière unité du modèle.

*Pour plus d'informations sur le produit, consultez <https://eprel.ec.europa.eu/> ou scannez le code QR sur l'étiquette énergétique fournie avec l'appareil.

<u>5 Informazioni per la sicurezza</u>	Operazioni preliminari al primo utilizzo	6
	Installazione	6
	Utilizzo quotidiano	7
<u>10 Uso previsto</u>		
<u>11 Descrizione del prodotto</u>		
<u>13 Pannello di controllo</u>		
<u>14 Uso</u>	Regolazione della temperatura del frigorifero	15
	Regolazione della temperatura del congelatore	15
	Funzione Super Freeze	15
	Funzione Super Cool	16
	Funzione Fresh 0°C	15
<u>20 Dotazioni</u>		
<u>22 Suggerimenti per il risparmio energetico</u>		
<u>23 Cura e pulizia</u>		
<u>25 Risoluzione dei problemi</u>		
<u>29 Installazione</u>		
<u>33 Dati tecnici</u>		
<u>36 Assistenza clienti</u>		



Fare clic sui contenuti per visualizzare le informazioni dettagliate.

Grazie per aver acquistato un prodotto Candy.




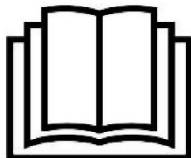


Leggere attentamente queste istruzioni prima di utilizzare l'elettrodomestico. Le istruzioni contengono informazioni importanti per ottimizzare l'uso dell'elettrodomestico e garantire l'installazione, l'uso e la manutenzione sicuri e corretti.

Conservare il presente manuale in un luogo comodo, in modo da poterlo sempre consultare per un uso sicuro e corretto dell'elettrodomestico.

Se l'elettrodomestico viene venduto, ceduto o abbandonato in caso di trasloco, trasferire anche il presente manuale in modo che il nuovo proprietario possa comprendere l'uso dell'elettrodomestico e delle avvertenze di sicurezza.

Accessori

Controllare gli accessori e la documentazione in base al seguente elenco:

			
Inserto del cappuccio	Etichetta energetica	Scheda della garanzia	Guida rapida
			
Cerniere dello sportello	Coperchio della cerniera		



AVVERTENZA - Informazioni importanti per la sicurezza



AVVISO - Informazioni generali e consigli



Informazioni ambientali



Smaltimento

Contribuire a proteggere l'ambiente e la salute umana. Collocare l'imballo in appositi contenitori affinché venga riciclato. Contribuire al riciclo dei rifiuti delle apparecchiature elettriche ed elettroniche. Non smaltire gli elettrodomestici contrassegnati con questo simbolo assieme ai rifiuti domestici. Conferire il prodotto presso la struttura di riciclo locale o rivolgersi all'ufficio comunale preposto.



AVVERTENZA!

Pericolo di lesioni o soffocamento!

I refrigeranti e i gas devono essere smaltiti in maniera professionale. Accertarsi che la tubazione del circuito del refrigerante non sia danneggiata prima di smaltirla correttamente. Scollegare l'elettrodomestico dalla rete elettrica. Tagliare il cavo di alimentazione e smaltirlo. Rimuovere vassoi e cassette, fermaporte e guarnizioni, per evitare che bambini e animali domestici rimangano chiusi nell'elettrodomestico.



Prima di accendere l'elettrodomestico per la prima volta, leggere i seguenti consigli sulla sicurezza:



AVVERTENZA!

Operazioni preliminari al primo utilizzo

- ▶ Accertarsi dell'assenza di danni dovuti al trasporto.
- ▶ Rimuovere tutti gli elementi di imballo e tenerli fuori dalla portata dei bambini.
- ▶ Per garantire la totale efficienza del circuito del refrigerante, attendere almeno due ore prima di installare l'elettrodomestico.
- ▶ L'elettrodomestico deve essere maneggiato sempre da almeno due persone perché è pesante.

Installazione

- ▶ Installare l'elettrodomestico in un luogo asciutto e ben ventilato. Lasciare uno spazio libero di almeno 10 cm sopra e attorno all'elettrodomestico.
- ▶ Non collocare mai l'elettrodomestico in zone umide o soggette a schizzi d'acqua. Pulire e asciugare schizzi e macchie d'acqua con un panno morbido e pulito.
- ▶ Non installare l'elettrodomestico esposto alla luce diretta del sole o in prossimità di fonti di calore (ad es. stufe o radiatori).
- ▶ Installare l'elettrodomestico a livello in un'area adatta alle dimensioni e all'uso.
- ▶ Le aperture di ventilazione nell'elettrodomestico o nella struttura a incasso devono rimanere sempre libere.
- ▶ Accertarsi che i dati elettrici sulla targhetta siano conformi all'alimentazione elettrica. In caso contrario, rivolgersi a un elettricista.
- ▶ L'elettrodomestico funziona con corrente elettrica 220-240 Vca / 50 Hz. Oscillazioni anomale della tensione possono causare il mancato avvio dell'elettrodomestico, danni al controllo della temperatura o al compressore oppure rumori anomali durante il funzionamento. In tal caso, è opportuno montare un regolatore automatico.
- ▶ Non adoperare prese multiple o cavi di prolunga.
- ▶ Non collocare prese multiple o alimentatori portatili nella parte posteriore dell'elettrodomestico.
- ▶ Accertarsi che il cavo di alimentazione non sia intrappolato dal frigorifero. Non calpestare il cavo di alimentazione.



AVVERTENZA!

- ▶ Per l'alimentazione elettrica utilizzare una presa separata collegata a terra e facilmente accessibile. L'elettrodomestico deve essere collegato a terra. Solo per il Regno Unito: il cavo di alimentazione dell'elettrodomestico è dotato di una spina a 3 conduttori (collegata a terra) adatta a una presa standard a 3 conduttori (collegata a terra). Non tagliare né smontare mai il terzo conduttore (collegamento a terra). Dopo l'installazione dell'elettrodomestico, la spina deve essere accessibile.
- ▶ Non danneggiare il circuito di refrigerazione.

Utilizzo quotidiano

- ▶ Questo elettrodomestico può essere utilizzato da bambini di almeno 8 anni, da persone con ridotte capacità fisiche, sensoriali o mentali e da persone inesperte solo sotto stretta sorveglianza o se hanno appreso le modalità di utilizzo sicuro dell'elettrodomestico e sono consapevoli dei relativi pericoli.
- ▶ I bambini di età da 3 a 8 anni possono introdurre e prelevare alimenti dall'elettrodomestico, ma non devono pulirlo o installarlo.
- ▶ Tenere lontani dall'elettrodomestico i bambini di età inferiore a 3 anni, a meno che non siano costantemente sorvegliati.
- ▶ Impedire ai bambini di giocare con l'elettrodomestico.
- ▶ In caso di perdite di gas refrigerante o altri gas infiammabili in prossimità dell'elettrodomestico, chiudere la valvola del gas che fuoriesce, aprire porte e finestre e non staccare la spina del cavo di alimentazione del frigorifero o di altri elettrodomestici.
- ▶ Notare che l'elettrodomestico, ad esempio CNCQ4T620EX, CNCQ4T620EW, CNCQ4T618EX, CNCQ4T618EW, CNCQ4T618EB, è impostato per il funzionamento in un intervallo di temperatura ambiente specifico compreso tra 10 °C e 38 °C. L'elettrodomestico potrebbe non funzionare correttamente se lasciato per un lungo periodo a una temperatura superiore o inferiore all'intervallo indicato.
- ▶ Notare che l'elettrodomestico, ad esempio CNCQ4T620DX, CNCQ4T620DW, CNCQ4T620CX, è impostato per il funzionamento in un intervallo di temperatura ambiente specifico compreso tra 10 °C e 43 °C. L'elettrodomestico potrebbe non funzionare correttamente se lasciato per un lungo periodo a una temperatura superiore o inferiore all'intervallo indicato.
- ▶ Non collocare elementi instabili (oggetti pesanti, contenitori pieni d'acqua) sopra il frigorifero, per evitare lesioni personali dovute a cadute o scosse elettriche causate dal contatto con l'acqua.
- ▶ Non caricare eccessivamente i ripiani dello sportello. Lo sportello potrebbe deformarsi, il portabottiglie potrebbe fuoriuscire o l'elettrodomestico potrebbe rovesciarsi.



AVVERTENZA!

- ▶ Non conservare né utilizzare materiali esplosivi o corrosivi nell'elettrodomestico o nelle vicinanze.
- ▶ Non conservare medicinali, batteri o sostanze chimiche nell'elettrodomestico. Questo apparecchio è un elettrodomestico. Si sconsiglia di conservare materiali che richiedono temperature rigide.
- ▶ Non riporre liquidi in bottiglie o lattine (né alcolici ad elevata gradazione), specialmente bevande gassate, nel congelatore, perché durante il congelamento potrebbero scoppiare.
- ▶ Se la temperatura del congelatore è aumentata, controllare lo stato degli alimenti.
- ▶ Non impostare una temperatura inutilmente bassa nel comparto frigorifero. Con impostazioni elevate possono crearsi temperature sotto zero. Attenzione: le bottiglie possono scoppiare.
- ▶ Non toccare i prodotti congelati con le mani bagnate (indossare i guanti). In particolare, non mangiare i ghiaccioli subito dopo averli tolti dal comparto congelatore. In caso contrario, potrebbe congelarsi la bocca e potrebbero formarsi vesciche da gelo. PRONTO SOCCORSO: collocare immediatamente la zona congelata sotto l'acqua fredda corrente. Non tirare via la zona congelata!
- ▶ Non toccare la superficie interna del comparto congelatore durante il funzionamento, soprattutto con le mani bagnate, poiché le mani potrebbero congelarsi sulla superficie.
- ▶ In caso di blackout o prima della pulizia, scollegare l'elettrodomestico. Attendere almeno 7 minuti prima di riavviare l'elettrodomestico, poiché un avvio frequente può danneggiare il compressore.
- ▶ Non adoperare dispositivi elettrici all'interno dei comparti dell'elettrodomestico destinati alla conservazione degli alimenti, a meno che non siano del tipo consigliato dal produttore.
Manutenzione / pulizia
- ▶ Accertarsi che i bambini siano sorvegliati se effettuano la pulizia e la manutenzione.
- ▶ Scollegare l'elettrodomestico dalla rete elettrica prima di effettuare operazioni di manutenzione ordinaria. Attendere almeno 5 minuti prima di riavviare l'elettrodomestico, poiché un avvio frequente può danneggiare il compressore.
- ▶ Quando l'elettrodomestico viene collocato nella sede prescelta, accertarsi che il cavo di alimentazione non sia incastrato o danneggiato.
- ▶ Non collocare prese multiple o alimentatori portatili nella parte posteriore dell'elettrodomestico.
- ▶ Non adoperare apparecchiature elettriche all'interno dei comparti dell'elettrodomestico destinati alla conservazione degli alimenti, a meno che non siano del tipo consigliato dal produttore.
- ▶ Non collocare sostanze esplosive (ad es. lattine di aerosol con propellente infiammabile) all'interno di questo elettrodomestico.



AVVERTENZA!

- ▶ Scollegare l'elettrodomestico tenendo la spina e non il cavo.
- ▶ Non pulire l'elettrodomestico con spazzole rigide, spazzole metalliche, detersivi in polvere, benzina, acetato di pentile, acetone e soluzioni organiche simili, soluzioni acide o alcaline. Per evitare danni, effettuare la pulizia con un detergente speciale per frigoriferi.
- ▶ Non raschiare via ghiaccio e brina con oggetti appuntiti. Non adoperare spray, riscaldatori elettrici (ad es. asciugacapelli) o altre fonti di calore per evitare danni ai componenti in plastica.
- ▶ Non usare oggetti meccanici o utensili diversi da quelli consigliati dal produttore per accelerare lo sbrinamento.
- ▶ Se il cavo di alimentazione è danneggiato, deve essere sostituito dal produttore, da un tecnico dell'assistenza o da una persona con analogo qualifica per evitare rischi.
- ▶ Non cercare di riparare, smontare o modificare personalmente l'elettrodomestico. Per le riparazioni rivolgersi all'assistenza clienti.
- ▶ Eliminare la polvere sul retro dell'unità almeno una volta all'anno per scongiurare il rischio di incendio e limitare i consumi energetici.
- ▶ Non spruzzare o schizzare liquidi sull'elettrodomestico durante la pulizia.
- ▶ Per pulire questo elettrodomestico non utilizzare apparecchi a vapore.
- ▶ Non pulire i ripiani di vetro freddi con acqua calda. Un'improvvisa variazione della temperatura può causare la rottura del vetro.

Informazioni sul gas refrigerante



AVVERTENZA!

L'elettrodomestico contiene il refrigerante infiammabile ISOBUTANO (R600a). Accertarsi che il circuito del refrigerante non abbia subito danni durante il trasporto o l'installazione. Eventuali perdite di refrigerante possono causare lesioni oculari o incendi. In caso di danni, tenere lontane fonti di fiamme libere, ventilare perfettamente l'ambiente e non collegare o scollegare i cavi di alimentazione dell'elettrodomestico o di altri elettrodomestici. Informare l'assistenza clienti.

In caso di contatto con gli occhi, sciacquare immediatamente con acqua corrente e rivolgersi tempestivamente a un oculista.

Questo elettrodomestico è destinato al raffreddamento e al congelamento di alimenti. È stato progettato esclusivamente per l'uso in applicazioni domestiche e simili, ad es. zone cucina del personale in negozi, uffici e altri ambienti di lavoro; in fattorie, da clienti in hotel, motel e altri ambienti di tipo residenziale, nonché in bed-and-breakfast e attività di ristorazione. Non è destinato ad usi commerciali o industriali.


Non sono consentiti cambiamenti o modifiche all'elettrodomestico. Utilizzi errati possono causare pericoli e annullare la garanzia.

Norme e direttive


Questo prodotto è conforme ai requisiti di tutte le direttive CE vigenti con le corrispondenti norme armonizzate che prevedono il marchio CE.

PROCEDURA DI ACCOPPIAMENTO DELL'APP

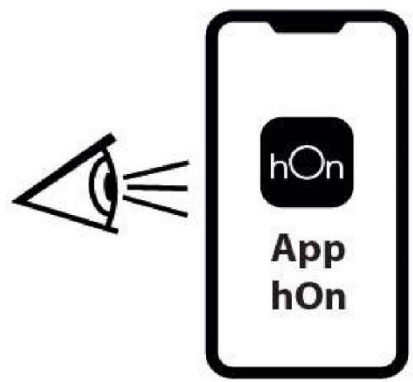
Passo 1 • Scaricare l'applicazione hOn



Passo 2 • Creare un account nell'app hOn o accedere se esiste già un account



Passo 3 • Per l'accoppiamento, seguire le istruzioni dell'app hOn

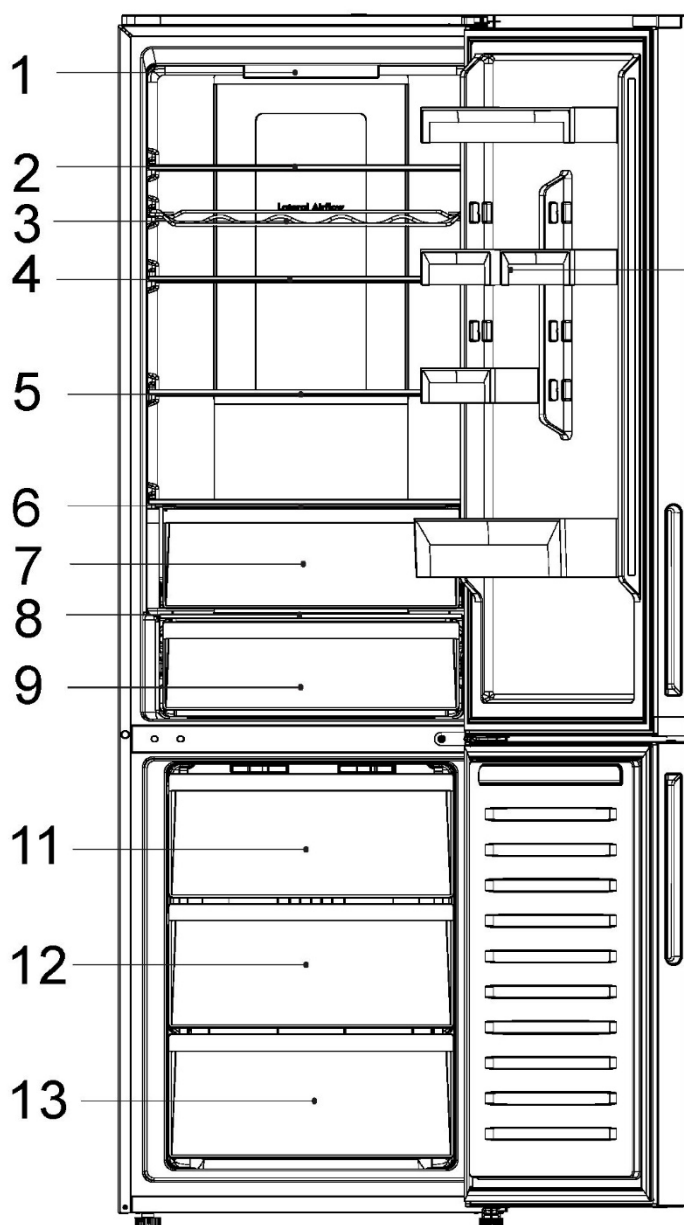


Modulo radio - Dati tecnici

Gamma di frequenze (OFR)	2400 MHz-2843,5 MHz
Frequenze dei canali	2412...2472 MHz (passi di 5 MHz)
Potenza massima (EIRP)	100 mW

i AVVISO

A causa di modifiche tecniche e della varietà dei modelli, alcune illustrazioni riportate nel presente manuale possono essere diverse dall'aspetto reale del modello acquistato.



CNCQ4T620EX
 CNCQ4T620EB
 CNCQ4T620DX
 CNCQ4T620EW
 CNCQ4T620DW
 CNCQ4T620CX

A: Comparto frigorifero

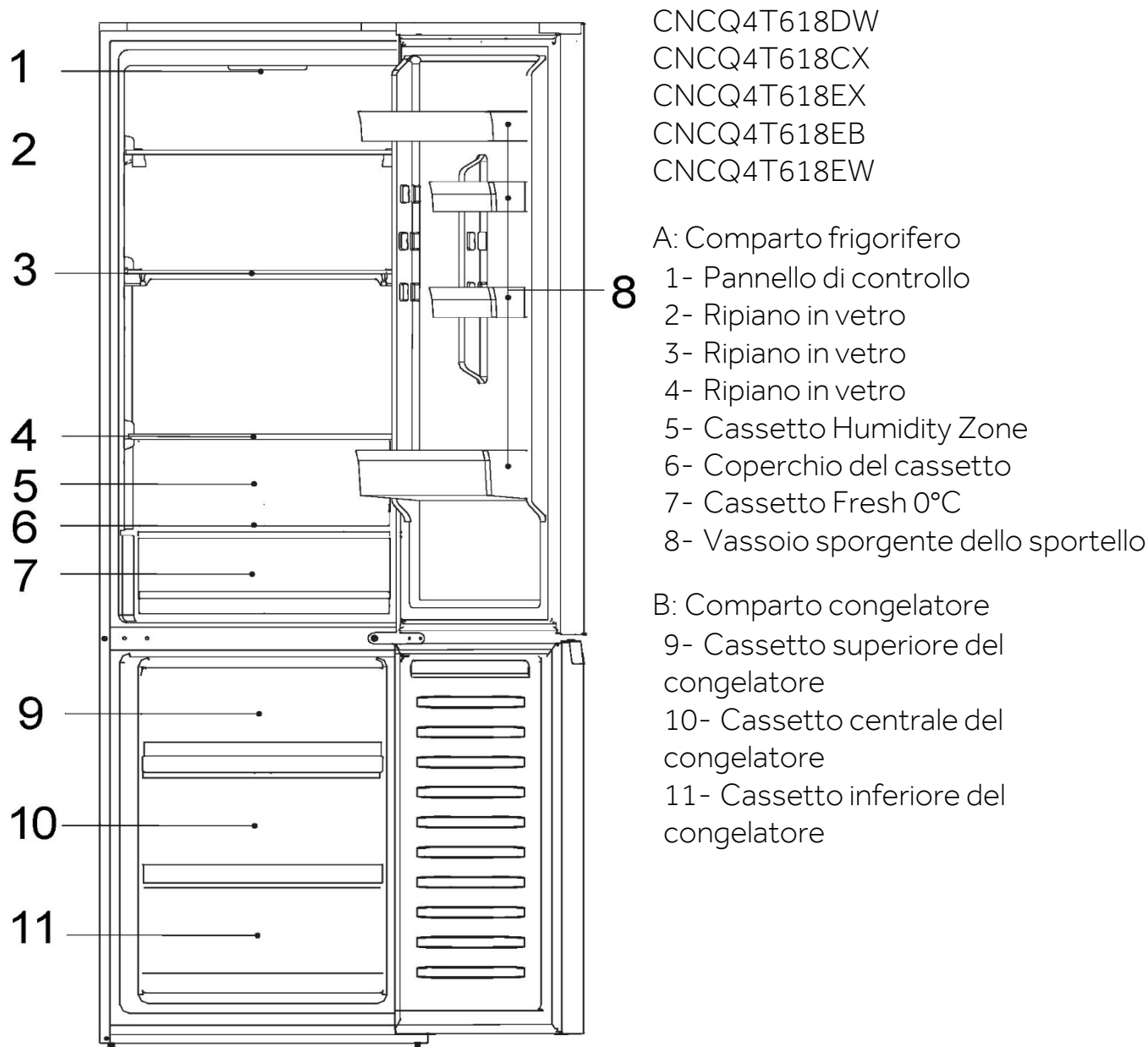
- 1- Pannello di controllo
- 2- Ripiano in vetro
- 3- Porta-vini
- 4- Ripiano in vetro
- 5- Ripiano in vetro
- 6- Coperchio del cassetto
- 7- Cassetto Humidity Zone
- 8- Coperchio del cassetto
- 9- Cassetto Fresh 0°C
- 10- Vassoio sporgente dello sportello

B: Comparto congelatore

- 11- Cassetto superiore del congelatore
- 12- Cassetto centrale del congelatore
- 13- Cassetto inferiore del congelatore

i AVVISO

A causa di modifiche tecniche e della varietà dei modelli, alcune illustrazioni riportate nel presente manuale possono essere diverse dall'aspetto reale del modello acquistato.



CNCQ4T618DW
 CNCQ4T618CX
 CNCQ4T618EX
 CNCQ4T618EB
 CNCQ4T618EW

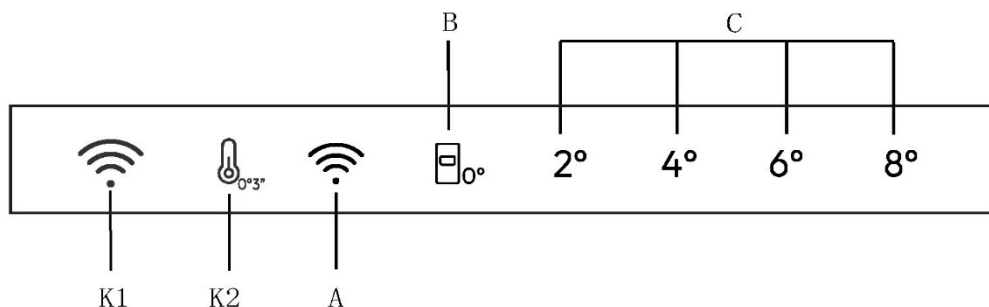
A: Comparto frigorifero

- 1- Pannello di controllo
- 2- Ripiano in vetro
- 3- Ripiano in vetro
- 4- Ripiano in vetro
- 5- Cassetto Humidity Zone
- 6- Coperchio del cassetto
- 7- Cassetto Fresh 0°C
- 8- Vassoio sporgente dello sportello

B: Comparto congelatore

- 9- Cassetto superiore del congelatore
- 10- Cassetto centrale del congelatore
- 11- Cassetto inferiore del congelatore

Pannello di controllo



Pulsanti

- K1 Attivazione/disattivazione della funzione Wi-Fi.
- K2 Tasto on/off Selezione temperatura, utilizzato per attivare/disattivare gli indicatori Fresh 0°C
- A Indicatore Wi-Fi.

Indicatori

- B Funzione Fresh 0°C
- C Visualizzazione della temperatura del frigorifero

Operazioni preliminari al primo utilizzo

- ▶ Rimuovere tutti i materiali di imballo, tenerli fuori dalla portata dei bambini e smaltirli nel rispetto dell'ambiente.
- ▶ Pulire l'interno e l'esterno dell'elettrodomestico, nonché l'interno e gli accessori con acqua e un detergente delicato, quindi asciugarlo bene con un panno morbido.
- ▶ Dopo l'installazione a livello e la pulizia dell'elettrodomestico, attendere almeno 2 ore prima di collegarlo all'alimentazione elettrica. Vedere la sezione INSTALLAZIONE.
- ▶ Prima di caricare gli alimenti, preraffreddare i compartimenti con impostazioni elevate.

Pulsanti meccanici

I pulsanti sul pannello di controllo sono pulsanti meccanici.

Accensione e spegnimento dell'elettrodomestico

L'elettrodomestico entra in funzione non appena viene collegato all'alimentazione elettrica.

Quando il frigorifero viene acceso per la prima volta, l'indicatore "4°" di "B" (display della temperatura del frigorifero) e l'indicatore "❏ 0°" del cassetto per la conservazione a 0°C si accendono.

La temperatura del frigorifero e quella del congelatore vengono impostate automaticamente rispettivamente a 4 °C e -20 °C. Il cassetto per la conservazione a 0°C entra in funzione.



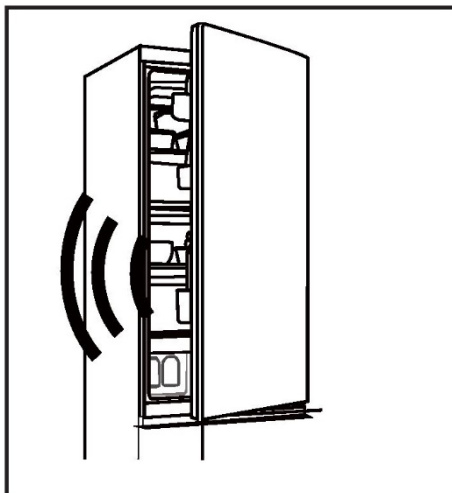
AVVISO

L'elettrodomestico è preimpostato sulla temperatura consigliata di 4°C. Queste sono le impostazioni consigliate. È possibile, tuttavia, cambiare manualmente queste temperature.

Allarme sportello aperto

Se lo sportello rimane aperto per oltre 3 minuti, il frigorifero emette un allarme acustico per segnalarlo.

L'allarme può essere tacitato chiudendo lo sportello. Se lo sportello rimane aperto per oltre 7 minuti, l'illuminazione interna del frigorifero e l'illuminazione del pannello di controllo si spengono automaticamente.



Accensione/spegnimento

Quando l'apparecchio è acceso, premere il pulsante K1 per 3 secondi, l'apparecchio entra in modalità standby, il compressore smette di funzionare e la luce si spegne; Quando l'apparecchio è in modalità standby, premere il pulsante K1 per 3 secondi, l'apparecchio si accende, il compressore entra in funzione e la luce si accende.

Regolazione della temperatura

Le temperature interne dipendono dai seguenti fattori:

Temperatura ambiente



Frequenza di apertura dello sportello
Quantità di alimenti conservati
Installazione dell'elettrodomestico

Regolazione della temperatura del comparto frigorifero/congelatore

1. Premere il tasto "K2" (selezione della temperatura del frigorifero) per selezionare la temperatura del frigo;
2. L'indicatore "B" (display della temperatura del frigorifero) si illuminerà alternativamente come di seguito;

2° → 4° → 6° → 8°

3. Quando si seleziona la temperatura del frigorifero dal pannello di controllo, la temperatura corrispondente per il congelatore è 2° (-22°) → 4° (-20°) → 6° (-18°) → 8° (-16°).

Funzione Fresh 0°C

Per accedere alla modalità "0°", con lo sportello del frigorifero aperto premere K2 per 3 secondi con un segnale acustico: l'indicatore "  " si accenderà e la temperatura di Fresh 0°C si avvicinerà a 0°C.

Per uscire dalla modalità "0°", con lo sportello del frigorifero aperto, premere K2 per 3 secondi con un segnale acustico: l'indicatore "  " si spegnerà e la temperatura del cassetto "0°" passerà alla temperatura del frigorifero.

Regolazione del livello di temperatura

Dopo aver collegato correttamente il Wi-Fi del frigorifero, è possibile regolare il livello di temperatura tramite l'app; dopo la regolazione, gli indicatori C si spegneranno. La luce dello sportello lampeggia una volta a ogni regolazione del livello effettuata.

La gamma regolabile del frigorifero è 2°, 3°, 4°, 5°, 6°, 7°, 8°;

La gamma regolabile del congelatore è -24°, -23°, -22°, -21°, -20°, -19°, -18°, -17°, -16°.

La funzione Fresh 0°C può essere attivata o disattivata.

Funzione Super Freeze

1. Gli alimenti freschi devono essere congelati fino all'interno il più rapidamente possibile. In tal modo se ne preserva il massimo valore nutrizionale, nonché l'aspetto e il gusto. La funzione Super Freeze accelera il congelamento degli alimenti freschi e protegge quelli già conservati da un riscaldamento indesiderato. Se occorre congelare molti alimenti insieme, è preferibile impostare la funzione Super Freeze 24 ore prima dell'utilizzo dello spazio di congelamento.

2. È possibile accedere alla funzione Super Freeze tramite app



AVVISO

1. L'elettrodomestico esce dalla funzione Super Freeze dopo essere rimasto nella funzione Super Freeze per 50 ore, premendo "K2" o dopo che la funzione è stata disattivata dall'app.
2. In stato Super Freeze, non è possibile regolare la temperatura del comparto congelatore.

Funzione Super Cool

1. È preferibile attivare la funzione Super Cool se occorre conservare una quantità maggiore di alimenti (ad es. dopo l'acquisto). La funzione Super Cool accelera il raffreddamento degli alimenti freschi e protegge quelli già conservati da un riscaldamento indesiderato.
2. È possibile accedere alla funzione Super Cool tramite app: l'icona C del pannello si spegne.



AVVISO

1. L'elettrodomestico esce dalla "funzione Super Cool" dopo essere rimasto nella "funzione Super Cool" per 6 ore, premendo "K2" o disattivando la funzione dall'app.
2. In stato Super Cool, non è possibile regolare la temperatura del comparto frigorifero

Funzione Holiday

La funzione Holiday può essere utilizzata per ridurre il consumo energetico dell'elettrodomestico quando non viene utilizzato regolarmente. Quando la funzione è attiva, il frigorifero è spento, mentre il congelatore continuerà a funzionare normalmente. La funzione imposta la temperatura del frigorifero in modo permanente a 17°C.

È possibile accedere alla funzione Holiday tramite app: l'icona C del pannello si spegne.



AVVISO

La funzione può essere disattivata impostando la temperatura del frigorifero oppure eseguendo una qualsiasi altra impostazione o infine spegnendola dall'app.

Quando la modalità Holiday è attiva, la luce del frigorifero è spenta.

Funzione di interconnessione Wi-Fi

Con lo sportello aperto del frigorifero, premere a lungo il tasto K1 per 3 secondi, il frigorifero emette un segnale acustico, l'icona A lampeggia rapidamente e il Wi-Fi entra in stato di configurazione.

Allarme sportello aperto e suggerimenti per la risoluzione dei problemi

Se lo sportello del frigorifero rimane aperto per 3 minuti, il frigorifero emette un segnale acustico e contemporaneamente la spia dello sportello lampeggia; se il tempo di apertura dello sportello raggiunge 13 minuti, il frigorifero non emette più il segnale acustico, ma la spia dello sportello continua a lampeggiare.

Se lo sportello del frigorifero e del congelatore sono chiusi, ma il frigorifero continua ad emettere un segnale acustico o la spia dello sportello continua a lampeggiare, potrebbe trattarsi di un guasto dei componenti del frigorifero; contattare il personale post-vendita il prima possibile. Memorizzazione in caso di interruzione dell'alimentazione

Se l'alimentazione viene interrotta e il frigorifero si spegne, lo stato di funzionamento al momento dell'interruzione di corrente viene memorizzato, e al ripristino

dell'alimentazione il frigorifero riprende a funzionare in base al livello di temperatura e allo stato di funzionamento impostati prima dell'interruzione di corrente.

Suggerimento per la conservazione di alimenti freschi

Conservazione nel comparto frigorifero

Mantenere nel frigorifero una temperatura inferiore a 5 °C.

Lasciare raffreddare gli alimenti caldi fino a quando raggiungono la temperatura ambiente prima di conservarli nell'elettrodomestico.

Lavare e asciugare gli alimenti prima di conservarli nel frigorifero.

Per evitare alterazioni dell'odore o del sapore, sigillare adeguatamente gli alimenti da conservare.

Non conservare alimenti in quantità eccessiva. Per un raffreddamento migliore e più omogeneo, lasciare spazio tra gli alimenti per consentire il passaggio dell'aria fredda.

È preferibile conservare nella parte anteriore del ripiano gli alimenti consumati quotidianamente.

Lasciare spazio tra gli alimenti e le pareti interne, per facilitare il passaggio dell'aria. In ogni caso, non riporre gli alimenti a contatto con la parete posteriore, perché potrebbero congelarsi. Evitare il contatto diretto degli alimenti (specialmente se oleosi o acidi) con il rivestimento interno, poiché l'olio e l'acido possono corroderlo. Pulire immediatamente lo sporco oleoso o acido.

Gli alimenti congelati possono essere scongelati gradualmente nel comparto frigorifero. In questo modo si risparmia energia.

Il processo di invecchiamento di frutta e verdura come zucchine, meloni, papaia, banane, ananas ecc. può essere accelerato nel frigorifero. Per tale motivo, è sconsigliabile conservare questi alimenti nel frigorifero. Un breve periodo di conservazione in frigorifero, tuttavia, può accelerare la maturazione di frutti molto acerbi. Conservare a temperatura ambiente anche cipolle, aglio, zenzero e altri tuberi.

Eventuali odori sgradevoli all'interno del frigorifero indicano che qualcosa si è rovesciato ed è necessario pulire l'elettrodomestico. Vedere Cura e pulizia.

È preferibile collocare alimenti diversi in aree diverse, a seconda delle loro proprietà.

Conservazione nel comparto congelatore

- Nel congelatore mantenere la temperatura di -18 °C.
- Lasciare raffreddare gli alimenti caldi fino a quando raggiungono la temperatura ambiente prima di conservarli nel comparto congelatore.
- Gli alimenti tagliati in piccole porzioni si congelano e si scongelano più rapidamente. Il peso consigliato per ogni porzione è inferiore a 2,5 kg



- È preferibile confezionare gli alimenti prima di collocarli nel congelatore. Per evitare che i sacchetti si attacchino tra loro, la parte esterna della confezione deve essere asciutta. I materiali per il confezionamento devono essere inodori, ermetici, non velenosi e non tossici.
- Per evitare di superare la scadenza dei periodi di conservazione, annotare sulla confezione la data di congelamento, il limite di tempo e il nome dell'alimento in base ai periodi di conservazione dei vari alimenti.



AVVERTENZA!

Acidi, alcali, sale ecc. potrebbero corrodere la superficie interna del congelatore.

- Non collocare alimenti con tali sostanze (ad es. pesce di mare) a contatto diretto con la superficie interna. Eliminare immediatamente l'acqua salata dal congelatore.
- Non superare i tempi di conservazione degli alimenti consigliati dai produttori. Estrarre dal congelatore solo la quantità di alimenti necessaria.
- Consumare rapidamente gli alimenti scongelati. Gli alimenti scongelati non possono essere ricongelati, a meno che non vengano cotti.
- Non caricare troppi alimenti freschi nel comparto congelatore. Fare riferimento alla capacità di congelamento del congelatore - Vedere DATI TECNICI o controllare i dati sulla targhetta.
- Gli alimenti possono essere conservati nel congelatore a una temperatura di almeno -18°C per 2-12 mesi, a seconda delle loro proprietà (ad es. carne): 3-12 mesi, verdure: 6-12 mesi).
- Quando si congelano alimenti freschi, evitare che entrino a contatto con alimenti già congelati. Rischio di scongelamento!

Quando si conservano alimenti surgelati, attenersi alle linee guida indicate di seguito:

- Per il tempo di conservazione degli alimenti, attenersi sempre alle linee guida dei produttori. Non ignorare queste linee guida!
- Ridurre il più possibile il tempo tra l'acquisto e la conservazione per preservare la qualità degli alimenti.
- Acquistare alimenti congelati conservati a una temperatura di -18°C o inferiore.
- Evitare di acquistare alimenti con ghiaccio o brina sulla confezione, in quanto potrebbero essere stati parzialmente scongelati e ricongelati; l'aumento della temperatura riduce la qualità degli alimenti.

Impostazione della modalità Wi-Fi

PROCEDURA DI ACCOPPIAMENTO DELL'APP

Passo 1 • Scaricare l'applicazione hOn



Passo 2 • Creare un account nell'app hOn o accedere se esiste già un account



Passo 3 • Per l'accoppiamento, seguire le istruzioni dell'app hOn

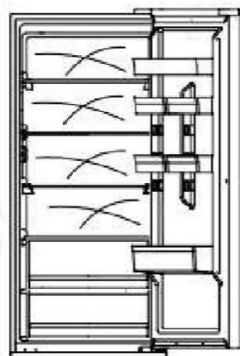


Modulo radio - Dati tecnici

Gamma di frequenze (OFR)	2400 MHz-2843,5 MHz
Frequenze dei canali	2412...2472 MHz (passi di 5 MHz)
Potenza massima (EIRP)	100 mW

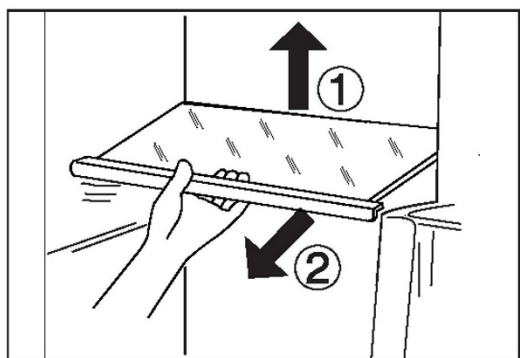
i AVVISO

A causa dei diversi modelli, il prodotto potrebbe non essere dotato di tutte le caratteristiche riportate di seguito. Fare riferimento al capitolo relativo alla descrizione del prodotto.



Flusso d'aria multiplo

Il frigorifero è dotato di un sistema con flusso d'aria multiplo, grazie al quale flussi di aria fresca investono tutti i ripiani. Ciò facilita il mantenimento di una temperatura uniforme per garantire la freschezza degli alimenti per un periodo maggiore.

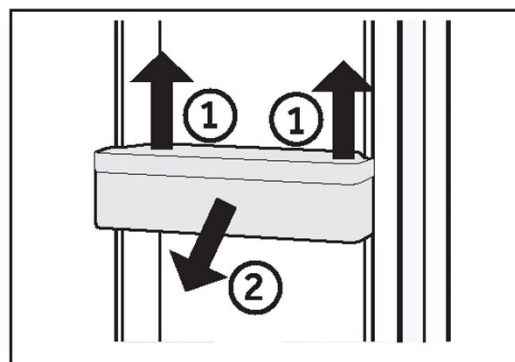


Ripiani regolabili

1. L'altezza dei ripiani può essere regolata in base alle esigenze.
2. Per spostare un ripiano, rimuoverlo sollevandone il bordo posteriore ① ed estrarlo ②.
3. Per reinstallarlo, collocarlo sulle alette su entrambi i lati e spingerlo dentro fino in fondo in modo che la parte posteriore del ripiano sia fissata all'interno delle feritoie laterali

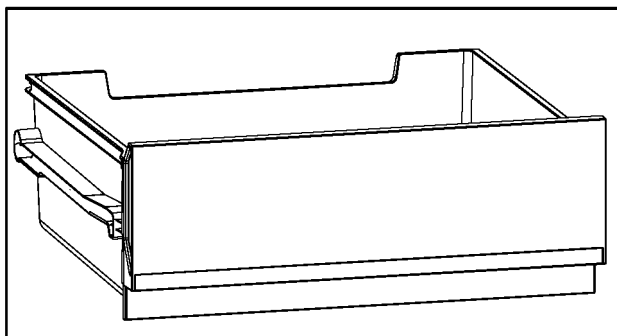
Portabottiglie/Cassetti incassati nello sportello rimovibili

1. I cassetti incassati nello sportello possono essere rimossi per essere puliti:
2. Tenere con le mani entrambi i lati del cassetto incassato, sollevarlo ① ed estrarlo ②.
3. Per inserire il cassetto incassato nello sportello, seguire la procedura inversa.



Cassetto frigo

Per l'utilizzo e l'impostazione del comparto frigo, consultare la sezione USO.



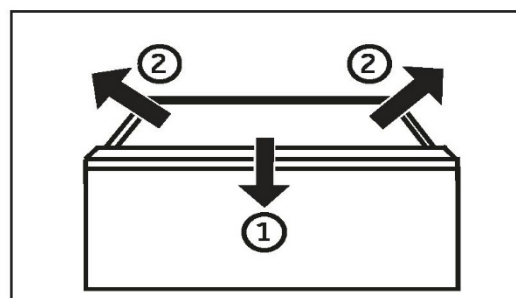
Cassetto del congelatore

Il cassetto del congelatore può essere estratto orizzontalmente in modo completo. È montato su guida telescopica easy roll. in modo da poter conservare e rimuovere comodamente i prodotti congelati. Grazie al meccanismo di chiusura automatica dello sportello, i cassetti del congelatore sono facili da utilizzare e permettono di risparmiare energia.

Cassetto rimovibile

Per rimuovere il cassetto, estrarlo al massimo ①, sollevarlo e toglierlo ②.

Per inserire il cassetto, seguire la procedura inversa.



AVVERTENZA!

Non sovraccaricare i cassetti: Carico massimo per ciascun cassetto: 35 kg.

Illuminazione

La luce interna a LED si accende quando si apre lo sportello. Le prestazioni dell'illuminazione non dipendono da altre impostazioni degli elettrodomestici.



Suggerimenti per il risparmio energetico

- ▶ Accertarsi che l'elettrodomestico sia adeguatamente ventilato (v. INSTALLAZIONE).
- ▶ Non installare l'elettrodomestico esposto alla luce diretta del sole o in prossimità di fonti di calore (ad es. stufe o radiatori).
- ▶ Evitare che la temperatura dell'elettrodomestico sia inutilmente bassa. Riducendo la temperatura impostata nell'elettrodomestico, il consumo energetico aumenta.
- ▶ Attendere che gli alimenti caldi si raffreddino prima di collocarli nell'elettrodomestico.
- ▶ Aprire lo sportello dell'elettrodomestico senza spalancarlo e per il più breve tempo possibile.
- ▶ Per evitare ostruzioni del flusso d'aria, non riempire eccessivamente l'elettrodomestico.
- ▶ Evitare l'ingresso di aria nelle confezioni di alimenti.
- ▶ Mantenere pulite le guarnizioni dello sportello in modo che si chiuda sempre perfettamente.
- ▶ Per ottimizzare il risparmio energetico, collocare nell'elettrodomestico i cassetti, i contenitori degli alimenti e i ripiani, e riporre gli alimenti senza ostruire l'uscita dell'aria del condotto.



AVVERTENZA!

Prima di effettuare la pulizia, staccare la spina di alimentazione dell'elettrodomestico.

Pulizia

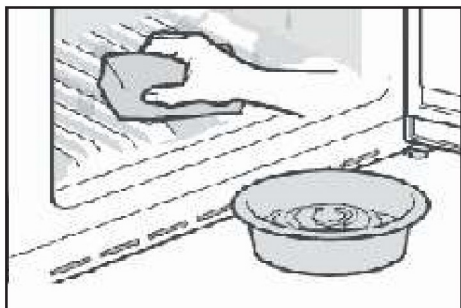
Pulire l'elettrodomestico quando è vuoto o contiene pochi alimenti.

Per una corretta manutenzione e per evitare cattivi odori degli alimenti conservati, pulire l'elettrodomestico ogni quattro settimane.



AVVERTENZA!

- ▶ Non pulire l'elettrodomestico con spazzole rigide, spazzole metalliche, detersivi in polvere, benzina, acetato di pentile, acetone e soluzioni organiche simili, soluzioni acide o alcaline. Per evitare danni, effettuare la pulizia con un detergente speciale per frigoriferi.
- ▶ Non spruzzare o schizzare liquidi sull'elettrodomestico durante la pulizia.
- ▶ Per pulire questo elettrodomestico non utilizzare apparecchi a vapore.
- ▶ Non pulire i ripiani di vetro freddi con acqua calda. Un'improvvisa variazione della temperatura può causare la rottura del vetro.
- ▶ Non toccare la superficie interna del comparto congelatore, soprattutto con le mani bagnate, poiché le mani potrebbero congelarsi sulla superficie.



- ▶ Tenere sempre pulita la guarnizione dello sportello.
- ▶ Pulire l'interno e l'alloggiamento dell'elettrodomestico con una spugna imbevuta di acqua calda e detergente neutro.
- ▶ Strofinare l'interno e l'esterno del frigorifero (compresi la guarnizione dello sportello, il cassetto incassato nello sportello, i ripiani di vetro, i comparti ecc.) con un panno morbido o una spugna imbevuta di acqua calda (è possibile aggiungere un detergente neutro).
- ▶ In presenza di liquidi versati, rimuovere tutte le parti contaminate, sciacquarle sotto l'acqua corrente, asciugarle e ricollocarle nel frigorifero.
- ▶ In caso di versamenti di alimenti cremosi (ad es. panna o gelato sciolto), rimuovere tutte le parti contaminate, lasciarle un po' di tempo in acqua calda a circa 40 °C, poi sciacquarle sotto l'acqua corrente, asciugarle e ricollocarle nel frigorifero.
- ▶ Nel caso in cui rimangano intrappolati piccoli oggetti all'interno del frigorifero (tra i ripiani o i cassetti), toglierli con una spazzolina morbida. Se non si riesce a raggiungere l'oggetto, rivolgersi all'assistenza Haier
- ▶ Sciacquare e asciugare con un panno morbido.
- ▶ Non lavare i componenti dell'elettrodomestico in lavastoviglie.
- ▶ Attendere almeno 7 minuti prima di riavviare l'elettrodomestico, poiché un avvio frequente può danneggiare il compressore.



Sbrinamento

Lo sbrinamento dei compartimenti frigorifero e congelatore avviene automaticamente e non richiede operazioni manuali.

Sostituzione delle lampade a LED



AVVERTENZA!

La lampada a LED deve essere sostituita solo dal produttore o da un tecnico dell'assistenza autorizzato.

La lampada utilizza una sorgente luminosa a LED che riduce i consumi energetici e garantisce una lunga durata. In caso di anomalie, rivolgersi all'assistenza clienti. V. ASSISTENZA CLIENTI.

Parametri delle lampade:

Comparto frigorifero: 12 V, max 1,5 W

Inutilizzo per lunghi periodi

Se l'elettrodomestico non viene utilizzato per un lungo periodo di tempo:

Estrarre gli alimenti.

Scollegare il cavo di alimentazione.

Pulire l'elettrodomestico come descritto in precedenza.

Lasciare aperti gli sportelli per evitare la produzione di cattivi odori all'interno.



AVVISO

Spegnere l'elettrodomestico solo se è strettamente necessario.

Spostamento dell'elettrodomestico

1. Togliere tutti gli alimenti e staccare la spina dell'elettrodomestico.
2. Fissare con nastro adesivo i ripiani e gli altri componenti mobili presenti nel frigorifero e nel congelatore.
3. Non inclinare il frigorifero oltre 45°, altrimenti il sistema di refrigerazione potrebbe danneggiarsi.



AVVERTENZA!

- ▶ Non sollevare l'elettrodomestico tenendolo per le maniglie dello sportello.
- ▶ Non collocare mai l'elettrodomestico orizzontalmente a terra.

Molti problemi possono essere risolti personalmente senza particolari competenze. In caso di problemi, consultare tutte le soluzioni possibili indicate e attenersi alle seguenti istruzioni prima di contattare l'assistenza post-vendita. V. ASSISTENZA CLIENTI.



AVVERTENZA!

- ▶ Prima di effettuare la manutenzione, spegnere l'elettrodomestico e staccare la spina dalla presa di corrente.
- ▶ La manutenzione delle apparecchiature elettriche deve essere effettuata solo da elettricisti qualificati, dal momento che eventuali riparazioni improprie possono causare danni notevoli.
- ▶ Se il cavo di alimentazione è danneggiato, deve essere sostituito unicamente dal produttore, da un tecnico dell'assistenza o da una persona con analoga qualifica per evitare rischi.

Problema	Causa possibile	Soluzione possibile
Il compressore non funziona.	<ul style="list-style-type: none"> • La spina non è collegata alla presa di corrente. • L'elettrodomestico sta effettuando il ciclo di sbrinamento 	<ul style="list-style-type: none"> • Collegare la spina alla presa di corrente. • Ciò è normale per lo sbrinamento automatico
L'elettrodomestico si aziona frequentemente o per un periodo di tempo troppo lungo.	<ul style="list-style-type: none"> • La temperatura interna o esterna è troppo elevata. • L'elettrodomestico è rimasto spento per un certo periodo di tempo. • Uno sportello dell'elettrodomestico non è chiuso ermeticamente. • Lo sportello è stato aperto troppo spesso o troppo a lungo. • L'impostazione della temperatura del comparto congelatore è troppo bassa. • La guarnizione dello sportello è sporca, usurata, danneggiata o inadeguata. • Non è garantita la circolazione dell'aria necessaria. 	<ul style="list-style-type: none"> • In questo caso è normale che l'elettrodomestico rimanga in funzione più a lungo. • Il raffreddamento completo dell'elettrodomestico normalmente richiede 8-12 ore. • Chiudere lo sportello o il cassetto e accertarsi che l'elettrodomestico sia a livello e che gli alimenti o i contenitori non urtino lo sportello. • Non aprire lo sportello o il cassetto troppo spesso. • Scegliere un'impostazione della temperatura più alta fino a quando la temperatura del frigorifero è soddisfacente. Per stabilizzare la temperatura del frigorifero occorrono 24 ore. • Pulire la guarnizione dello sportello o del cassetto o farla sostituire dall'assistenza clienti. • Garantire un'adeguata ventilazione.



Problema	Causa possibile	Soluzione possibile
L'interno del frigorifero è sporco e/o si sentono cattivi odori.	<ul style="list-style-type: none"> L'interno del frigorifero deve essere pulito. In frigorifero vengono conservati alimenti che producono un odore intenso. 	<ul style="list-style-type: none"> Pulire la parte interna del frigorifero. Avvolgere completamente gli alimenti.
La temperatura nell'elettrodomestico non è sufficientemente bassa.	<ul style="list-style-type: none"> La temperatura impostata è troppo alta. Sono stati collocati alimenti troppo caldi. Sono stati collocati troppi alimenti contemporaneamente. Gli alimenti sono troppo vicini tra loro. Uno sportello o un cassetto dell'elettrodomestico non è chiuso bene. Lo sportello o il cassetto è stato aperto troppo spesso o troppo a lungo. 	<ul style="list-style-type: none"> Reimpostare la temperatura. Gli alimenti devono essere sempre raffreddati prima di conservarli. Non conservare troppi alimenti. Lasciare spazio tra i vari alimenti per consentire il passaggio del flusso d'aria. Chiudere lo sportello o il cassetto. Non aprire lo sportello o il cassetto troppo spesso.
La temperatura nell'elettrodomestico è troppo bassa.	<ul style="list-style-type: none"> La temperatura impostata è troppo bassa. 	<ul style="list-style-type: none"> Reimpostare la temperatura.
Formazione di umidità all'interno del comparto frigorifero.	<ul style="list-style-type: none"> Il clima è troppo caldo e troppo umido. Uno sportello o un cassetto dell'elettrodomestico non è chiuso bene. Lo sportello o il cassetto è stato aperto troppo spesso o troppo a lungo. Contenitori per alimenti o liquidi rimasti aperti. 	<ul style="list-style-type: none"> Aumentare la temperatura. Chiudere lo sportello o il cassetto. Non aprire lo sportello o il cassetto troppo spesso. Lasciare raffreddare gli alimenti caldi a temperatura ambiente e coprire cibi e liquidi.

Problema	Causa possibile	Soluzione possibile
Accumulo di umidità sulla superficie esterna del frigorifero o tra gli sportelli e il cassetto.	<ul style="list-style-type: none"> • Il clima è troppo caldo e troppo umido. • Lo sportello non è chiuso ermeticamente. L'aria fredda all'interno dell'elettrodomestico e l'aria calda all'esterno formano condensa. 	<ul style="list-style-type: none"> • Ciò è normale in un clima umido; la situazione cambia quando l'umidità diminuisce. • Accertarsi che lo sportello o il cassetto sia chiuso bene.
Presenza di molto ghiaccio e brina nel comparto congelatore.	<ul style="list-style-type: none"> • Gli alimenti non sono stati confezionati adeguatamente. • Uno sportello o un cassetto dell'elettrodomestico non è chiuso bene. • Lo sportello o il cassetto è stato aperto troppo spesso o troppo a lungo. • Le guarnizioni dello sportello o del cassetto sono sporche, usurate, danneggiate o inadeguate. • Qualcosa all'interno impedisce la chiusura corretta dello sportello o del cassetto. 	<ul style="list-style-type: none"> • Confezionare sempre gli alimenti. • Chiudere lo sportello o il cassetto. • Non aprire lo sportello o il cassetto troppo spesso. • Pulire la guarnizione dello sportello o del cassetto oppure sostituirla. • Risistemare i ripiani, i cassetti incassati nello sportello o i contenitori interni per consentire la chiusura dello sportello o del cassetto.
I lati del comparto e la striscia dello sportello si riscaldano.	<ul style="list-style-type: none"> • - 	<ul style="list-style-type: none"> • È normale.
L'elettrodomestico emette suoni anomali.	<ul style="list-style-type: none"> • L'elettrodomestico non è a livello. • L'elettrodomestico urta qualche oggetto vicino. 	<ul style="list-style-type: none"> • Regolare i piedini per collocare l'elettrodomestico a livello. • Rimuovere gli oggetti attorno all'elettrodomestico.
Si sente un lieve rumore, simile a quello dell'acqua che scorre.	<ul style="list-style-type: none"> • - 	<ul style="list-style-type: none"> • È normale.
Viene emesso un allarme acustico.	<ul style="list-style-type: none"> • Lo sportello del comparto frigorifero è aperto. 	<ul style="list-style-type: none"> • Chiudere lo sportello.
Viene emesso un lieve sibilo.	<ul style="list-style-type: none"> • È in funzione il sistema anticondensa 	<ul style="list-style-type: none"> • Ciò evita la formazione di condensa ed è normale



Problema	Causa possibile	Soluzione possibile
L'illuminazione interna o il sistema di raffreddamento non funziona.	<ul style="list-style-type: none"> • È in modalità demo 	<ul style="list-style-type: none"> • Il frigorifero è collegato all'alimentazione e lo sportello del frigorifero è aperto. • Tenere premuto il pulsante K1 e fare clic cinque volte sul pulsante K2: l'icona smetterà di accendersi in modo circolare.
L'illuminazione interna o il sistema di raffreddamento non funziona.	<ul style="list-style-type: none"> • La spina non è collegata alla presa di corrente. • Problema della fonte di alimentazione. • La lampada a LED è fuori uso. 	<ul style="list-style-type: none"> • Collegare la spina alla presa di corrente. • Controllare l'alimentazione elettrica. Chiamare l'azienda elettrica locale. • Chiamare l'assistenza per la sostituzione.

Per rivolgersi all'assistenza tecnica, visitare il nostro sito web:

<https://corporate.haier-europe.com/en/>

Nella sezione "sito Web", scegliere la marca del proprio prodotto e il proprio paese. Si aprirà il sito Web specifico contenente il numero di telefono e il modulo per contattare l'assistenza tecnica.

Interruzione della corrente

In caso di interruzione della corrente, gli alimenti dovrebbero rimanere freddi in maniera sicura per circa 5 ore. Durante un'interruzione prolungata della corrente, soprattutto in estate, attenersi ai suggerimenti seguenti:

- ▶ Limitare al massimo l'apertura dello sportello o del cassetto.
- ▶ In caso di interruzione della corrente, non collocare altri alimenti nell'elettrodomestico.
- ▶ Se viene fornito un preavviso di interruzione della corrente di durata superiore a 5 ore, produrre un po' di ghiaccio e collocarlo nella parte superiore del comparto frigorifero
- ▶ Dopo l'interruzione della corrente, è indispensabile controllare immediatamente gli alimenti.
- ▶ Siccome la temperatura nel frigorifero aumenta durante un'interruzione della corrente o in caso di altri guasti, il periodo di conservazione e la commestibilità degli alimenti si riducono. Per evitare rischi per la salute, gli alimenti che si scongelano devono essere immediatamente consumati oppure cotti e ricongelati (se possibile).

Funzione di memoria durante un'interruzione di corrente

Al ripristino della corrente, l'elettrodomestico riprende il funzionamento in base alle impostazioni precedenti.

Disimballo



AVVERTENZA!

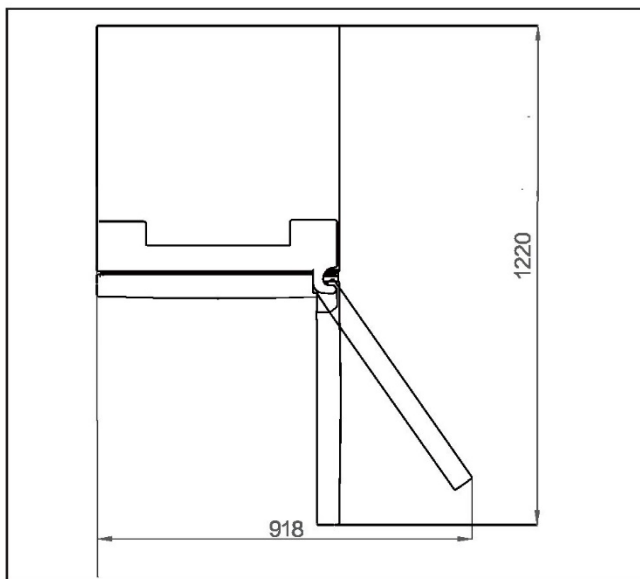
- ▶ L'elettrodomestico è pesante. Per spostarlo occorrono almeno due persone.
- ▶ Tenere fuori dalla portata dei bambini tutti i materiali di imballaggio e smaltirli nel rispetto dell'ambiente.
- ▶ Estrarre l'elettrodomestico dall'imballo.
- ▶ Togliere tutti i materiali di imballo.

Condizioni ambientali

Per i frigoriferi modello CNCQ2T620EX, CNCQ2T620EW, CNCQ2T618EX, CNCQ4T618EW, CNCQ4T618EB la temperatura ambiente deve essere sempre compresa tra 10°C e 43°C; per i modelli CNCQ4T620DX, CNCQ4T620DW la temperatura ambiente deve essere sempre compresa tra 10 °C e 38 °C, dal momento che essa può influenzare la temperatura all'interno dell'elettrodomestico e il suo consumo energetico. Non installare l'elettrodomestico vicino ad altri elettrodomestici che emettono calore (forni, frigoriferi) senza isolamento.

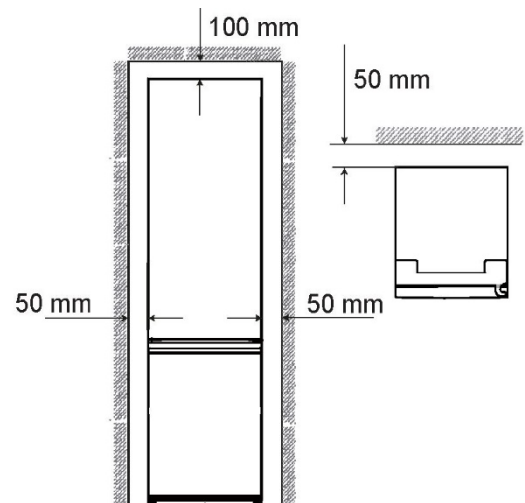
Spazio necessario

Spazio consigliato per lo sportello



Sezione di ventilazione

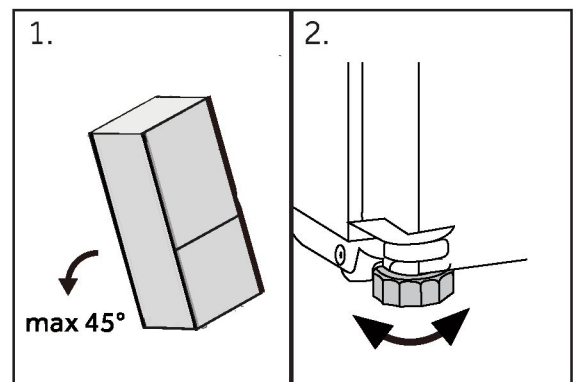
Per ottenere una ventilazione sufficiente dell'elettrodomestico per motivi di sicurezza, si raccomanda di attenersi alle indicazioni sulle sezioni di ventilazione

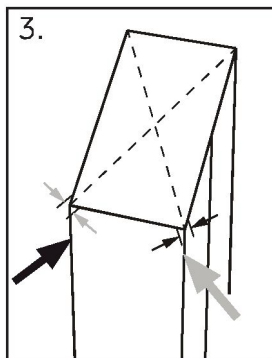


Allineamento dell'elettrodomestico

Installare l'elettrodomestico su una superficie solida e piana.

1. Inclinare leggermente il frigorifero all'indietro.
2. Regolare i piedini all'altezza desiderata. Accertarsi che la distanza dalla parete lato cerniera sia almeno 100 mm affinché lo sportello possa aprirsi correttamente.



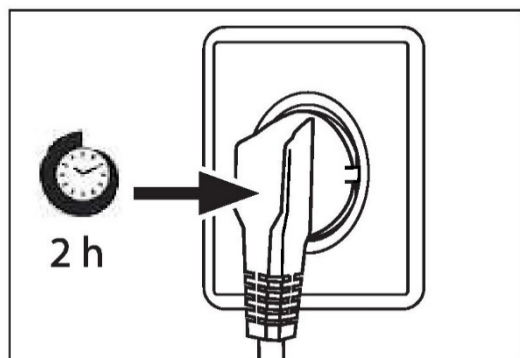


1. La stabilità può essere verificata spingendo diagonalmente l'elettrodomestico a destra e a sinistra. Il lieve ondeggiamento deve essere identico in entrambe le direzioni. In caso contrario, il telaio potrebbe deformarsi e le guarnizioni dello sportello potrebbero perdere. Una lieve inclinazione posteriore facilita la chiusura degli sportelli.



AVVISO

Per gli elettrodomestici a libera installazione: questo elettrodomestico non è progettato per l'installazione a incasso



Tempo di attesa

L'olio di lubrificazione esente da manutenzione si trova nella capsula del compressore. Questo olio può percorrere il sistema di tubazioni chiuse durante il trasporto. Prima di collegare l'elettrodomestico all'alimentazione elettrica, attendere almeno 2 ore in modo che l'olio torni nella capsula.

Collegamento elettrico

Prima di ogni collegamento, effettuare i seguenti controlli:

- ▶ La fonte di alimentazione, la presa e i fusibili sono conformi ai dati indicati nella targhetta.
- ▶ La presa di corrente è collegata a terra e non sono utilizzate prese multiple o prolunghie.
- ▶ La spina e la presa di corrente sono compatibili.

Collegare la spina a una presa domestica installata correttamente.



AVVERTENZA!

Per evitare rischi, i cavi di alimentazione danneggiati devono essere sostituiti dall'assistenza clienti (v. scheda di garanzia).

Reversibilità dello sportello

Prima di collegare l'elettrodomestico all'alimentazione elettrica, controllare se l'apertura dello sportello deve essere invertita da destra (come consegnato) verso sinistra per facilitare l'uso.



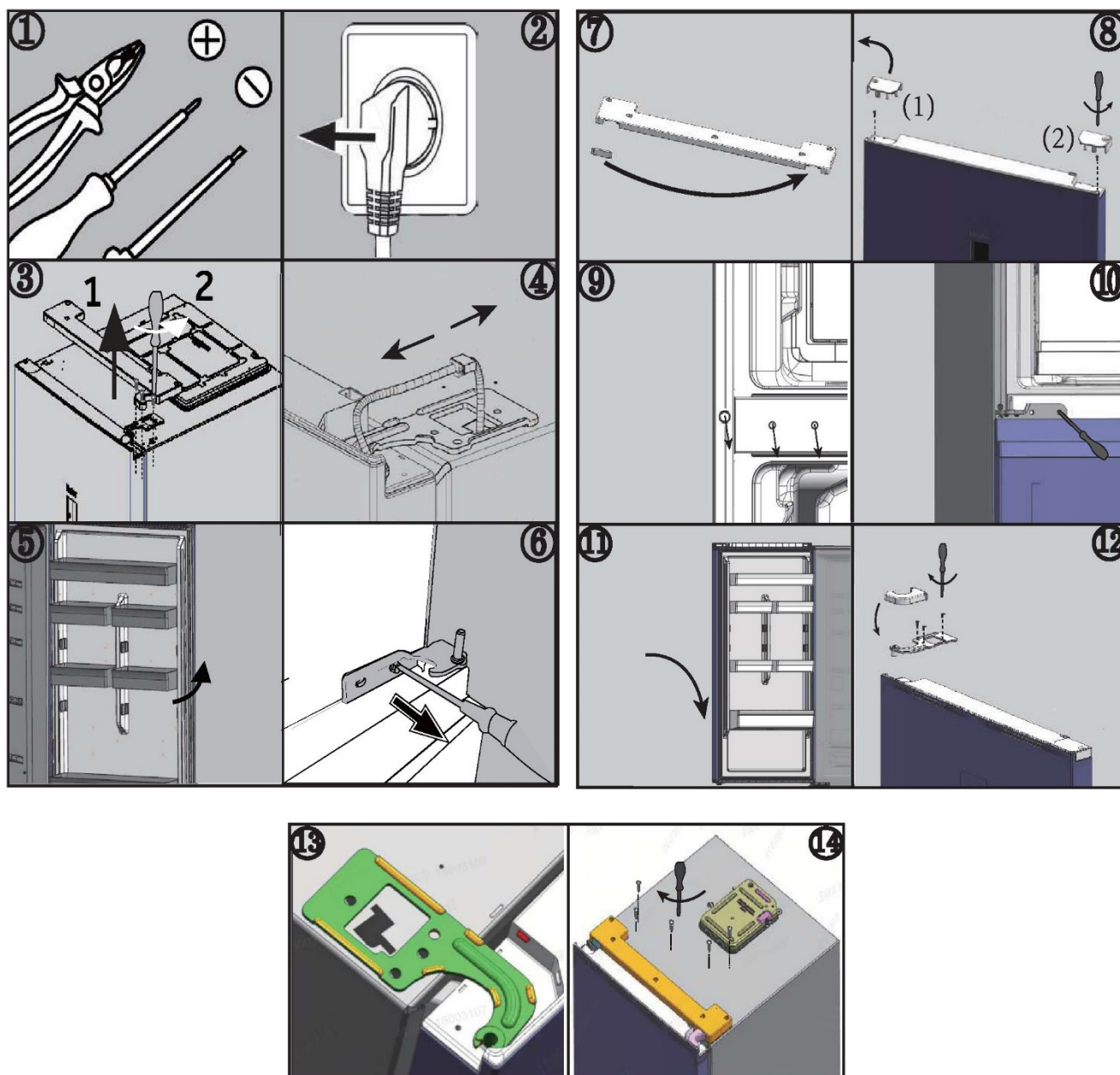
AVVERTENZA!

- ▶ L'elettrodomestico è pesante. Per invertire lo sportello occorrono due persone.
- ▶ Prima di qualunque operazione, scollegare l'elettrodomestico dalla rete elettrica
- ▶ Non inclinare l'elettrodomestico oltre 45° C per evitare danni al sistema di refrigerazione.

Fasi di montaggio

1. Procurarsi gli utensili necessari.
2. Staccare la spina dell'elettrodomestico.
3. Rimuovere il coperchio della cerniera superiore 1 e svitare la cerniera superiore (tre viti) sul lato destro 2.
4. Sollevare con cautela lo sportello del frigorifero dalla cerniera centrale.
5. Rimuovere la cerniera centrale.
6. Rimuovere il piccolo coperchio del pannello frontale da sinistra a destra.
7. Capovolgere lo sportello e svitare il coperchio (1). Estrarre il nuovo coperchio (2) dal sacchetto degli accessori e avvitare sul lato opposto.
8. Modificare le posizioni dei tappi ciechi e della vite laterale.
9. Avvitare la cerniera centrale sul lato sinistro dell'elettrodomestico. Fare attenzione ad invertire il perno della cerniera centrale, assicurandosi che il lato con la guarnizione sia rivolto verso l'alto
10. Sollevare con cautela lo sportello superiore sulla cerniera centrale. Assicurarsi che il perno si inserisca nel cilindro della cerniera dello sportello inferiore.
11. Estrarre la nuova cerniera superiore e il relativo coperchio dal sacchetto degli accessori. Fissare la cerniera superiore sul lato sinistro dell'apparecchio con tre viti. Posizionare il coperchio della cerniera sopra la cerniera.
12. Sostituire il pannello frontale e fissarlo con cinque viti.

Dopo la sostituzione dello sportello, verificare che le relative guarnizioni siano posizionate correttamente sull'alloggiamento e che tutte le viti siano ben serrate.



Temperature ambiente

Temperata estesa: questo elettrodomestico è destinato all'uso con temperature ambiente comprese tra 10 °C e 32 °C;

Temperata: questo elettrodomestico è destinato all'uso con temperature ambiente comprese tra 16 °C e 32 °C;

Subtropicale: questo elettrodomestico è destinato all'uso con temperature ambiente comprese tra 16 °C e 38 °C;

Tropicale: questo elettrodomestico è destinato all'uso con temperature ambiente comprese tra 16 °C e 43 °C.

Parametri del prodotto secondo il regolamento (UE)2019/2016

Sulla base dei risultati di test standard per 24 ore. Il consumo energetico effettivo dipende dalla modalità di utilizzo dell'elettrodomestico e dalla sua collocazione

Modello	CNCQ4T620EW CNCQ4T620EX CNCQ4T620EB	CNCQ4T620DX CNCQ4T620DW	CNCQ4T620CX
Tipo di apparecchio di refrigerazione	Frigorifero-congelatore	Frigorifero-congelatore	Frigorifero-congelatore
Classe di efficienza energetica	E	D	C
Consumo energetico annuo (kWh/anno)	279	223	178
Volume comparto frigorifero (litri)	289	289	289
Volume comparto congelatore (litri)	120	120	120
Classe di congelamento	4 stelle	4 stelle	4 stelle
Tipo di scongelamento	Scongelamento automatico	Scongelamento automatico	Scongelamento automatico
Tempo di aumento della temperatura (h)	11	11	13
Capacità di congelamento (kg/24 h)	10	10	10
Classe climatica	SN.N.ST	SN.N.ST.T	SN.N.ST.T



Modello	CNCQ4T618DX	CNCQ4T618EW CNCQ4T618EX CNCQ4T618EB
Tipo di apparecchio di refrigerazione	Frigorifero-congelatore	Frigorifero-congelatore
Classe di efficienza energetica	D	E
Consumo energetico annuo (kWh/anno)	216	270
Volume comparto frigorifero (litri)	235	235
Volume comparto congelatore (litri)	120	120
Classe di congelamento	4 stelle	4 stelle
Tipo di scongelamento	Scongelamento automatico	Scongelamento automatico
Tempo di aumento della temperatura (h)	11	11
Capacità di congelamento (kg/24 h)	10	10
Classe climatica	SN.N.STT	SN.N.ST

Descrizioni:

- Sì

(1) In base ai risultati del test di conformità agli standard per 24 ore. Il consumo effettivo dipende dall'uso e dalla posizione dell'elettrodomestico.

(2) Classe climatica SN: questo elettrodomestico è destinato all'uso con temperature ambiente comprese tra +10 °C e +32 °C

Classe climatica N: questo elettrodomestico è destinato all'uso con temperature ambiente comprese tra +16 °C e +32 °C

Classe climatica ST: questo elettrodomestico è destinato all'uso con temperature ambiente comprese tra +16 °C e +38 °C

Classe climatica T: questo elettrodomestico è destinato all'uso con temperature ambiente comprese tra +16 °C e +43 °C

Dati tecnici supplementari

Modello	CNCQ4T620EW CNCQ4T620EX CNCQ4T620EB	CNCQ4T620DX CNCQ4T620DW	CNCQ4T618EW CNCQ4T618EX CNCQ4T618EB
Volume totale (litri)	409	409	355
Tensione/Frequenza	220~240V/50Hz	220~240V/50Hz	220~240V/50Hz
Corrente nominale (A)	0,9	1,4	0,9
Fusibile principale (A)	15	15	15
Refrigerante	R600a(53g)	R600a(53g)	R600a(53g)
Dimensioni (L/P/A in mm)	595*667*2050	595*667*2050	595*667*1850

Modello	CNCQ4T620CX	CNCQ4T618DX
Volume totale (litri)	409	355
Tensione/Frequenza	220~240V/50Hz	220~240V/50Hz
Corrente nominale (A)	1.4	1.4
Fusibile principale (A)	15	15
Refrigerante	R600a(50g)	R600a(53g)
Dimensioni (L/P/A in mm)	595*667*2050	595*667*1850



Si consiglia di rivolgersi all'Assistenza Clienti Haier e di utilizzare ricambi originali. In caso di problemi con l'elettrodomestico, consultare prima la sezione SOLUZIONE DEI PROBLEMI.

Se non si riesce a trovare una soluzione, contattare

- ▶ il rivenditore locale o
- ▶ lo European Call Service-Center (vedere i numeri di telefono elencati di seguito) o
- ▶ l'area Service & Support su www.haier.com dove è possibile chiedere assistenza
- ▶ e trovare risposte a domande frequenti.

Per contattare l'assistenza, procurarsi i dati seguenti. Le informazioni si trovano sulla targhetta.

Modello _____
N. di serie _____

Controllare anche la scheda di garanzia fornita con il prodotto.

European Call Service-Center		
Paese*	Numero di telefono	Costi
Haier Italy (IT)	199 100 912	
Haier Spain (ES)	902 509 123	
Haier Germany (DE)	0180 5 39 39 99	<ul style="list-style-type: none"> • 14 cent/min su linea fissa • max 42 cent/min su linea mobile
Haier Austria (AT)	0820 001205	<ul style="list-style-type: none"> • 14,53 cent/min su linea fissa • max 20 cent/min su altre linee
Haier United Kingdom (UK)	0333 003 8122	
Haier France (FR)	0980 406 409	



*Per altri paesi. fare riferimento al sito www.haier.com

Haier Europe Trading S.r.l

Filiale Regno Unito

Westgate House, Westgate, Ealing

London, W5 1YY

*Durata della garanzia dell'elettrodomestico:

Garanzia minima: 2 anni per i paesi UE, 3 anni per la Turchia, 1 anno per il Regno Unito, 1 anno per la Russia, 3 anni per la Svezia, 2 anni per la Serbia, 5 anni per la Norvegia, 1 anno per il Marocco, 6 mesi per l'Algeria; per la Tunisia non è obbligatoria alcuna garanzia legale.

*Periodo di disponibilità dei pezzi di ricambio per la riparazione dell'elettrodomestico: termostati, sensori di temperatura, circuiti stampati e lampade rimangono disponibili per almeno sette anni dopo l'immissione sul mercato dell'ultima unità del modello.

Maniglie e cerniere degli sportelli, vassoi e cestelli rimangono disponibili per almeno di sette anni e le guarnizioni degli sportelli per almeno 10 anni dopo l'immissione sul mercato dell'ultima unità del modello.

*Per ulteriori informazioni sul prodotto, consultare <https://eprel.ec.europa.eu/> o effettuare una scansione del codice QR apposto sull'etichetta fornita con l'elettrodomestico.

<u>5 Saugos informacija</u>	Prieš naudojant pirmą kartą	6
	Įrengimas	6
	Kasdienis naudojimas	7
<u>10 Paskirtis</u>		
<u>11 Gaminio aprašymas</u>		
<u>13 Valdymo skydelis</u>		
<u>14 Naudojimas</u>	Šaldytuvo temperatūros reguliavimas	15
	Šaldiklio temperatūros reguliavimas	15
	Intensyvaus šaldymo funkcija „Super Freeze“	15
	Intensyvaus vėsinimo funkcija „Super Cool“	16
	„Fresh 0°C“ funkcija	15
<u>20 Įranga</u>		
<u>22 Energijos taupymo patarimai</u>		
<u>23 Priežiūra ir valymas</u>		
<u>25 Trikčių šalinimas</u>		
<u>29 Įrengimas</u>		
<u>33 Techniniai duomenys</u>		
<u>36 Klientų aptarnavimas</u>		



Norėdami peržiūrėti išsamią informaciją, spustelėkite turinį.

Dėkojame, kad įsigijote „Candy“ gaminį.

Prieš naudodami šį prietaisą, atidžiai perskaitykite šias instrukcijas. Instrukcijose yra svarbios informacijos, kuri padės geriausiai naudotis prietaisu ir užtikrinti saugų ir tinkamą jo įrengimą, eksploatavimą ir priežiūrą.

Laikykite šį vadovą patogioje vietoje, kad visada galėtumėte juo vadovautis ir saugiai bei tinkamai naudoti prietaisą.

Jei prietaisą parduodate, atiduodate arba paliekate persikeldami į kitą būstą, taip pat turite perduoti šį vadovą, kad naujasis savininkas galėtų susipažinti su prietaisu ir saugos įspėjimais.

Priedai

Patikrinkite priedus ir literatūrą pagal šį sąrašą:



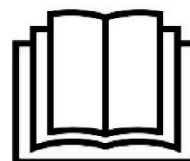
Dangtelio
įdėklas



Energijos
efektyvumo
etiketė



Garantijos
kortelė



Trumpasis
vadovas



Durų vyriai



Vyrio dangtis



ĮSPĖJIMAS – svarbi saugos informacija



PRANEŠIMAS – bendroji informacija ir patarimai



Aplinkosaugos informacija



Utilizavimas

Padėkite apsaugoti aplinką ir žmonių sveikatą. Išmeskite pakuotę jautingamus konteinerius skirtus perdirbimui. Padėkite perdirbti elektros ir elektronikos prietaisų atliekas. Neišmeskite šiuo simboliu pažymėtų prietaisų su buitėmis atliekomis. Grąžinkite gaminį į vietos perdirbimo įmonę arba kreipkitės į savivaldybės biurą.



ĮSPĖJIMAS!

Traumos arba uždusimo pavojus!

Šaldalai ir dujos turi būti utilizuojami profesionaliai. Prieš tinkamai utilizuodami įsitikinkite, kad šaldalo kontūro vamzdeliai nepažeisti. Atjunkite prietaisą nuo maitinimo šaltinio. Nupjaukite maitinimo laidą ir jį išmeskite. Išimkite padėklus ir stalčius, taip pat durų fiksatorių ir tarpiklius, kad vaikai ir naminiai gyvūnai neužsidarytų prietaise.

Prieš pirmą kartą įjungdami prietaisą, perskaitykite toliau pateiktus saugos patarimus!



ĮSPĖJIMAS!

Prieš naudojant pirmą kartą

- ▶ Įsitinkite, kad prietaisas nebuvo pažeistas transportuojant.
- ▶ Nuimkite visas pakuotės medžiagas ir laikykite vaikams nepasiekiamoje vietoje.
- ▶ Prieš įrengdami prietaisą palaukite bent dvi valandas, kad įsitikintumėte, jog šaldalo kontūras veikia visiškai tinkamai.
- ▶ Prietaisą perkelti į kitą vietą turi bent du asmenys, nes jis sunkus.

Įrengimas

- ▶ Prietaisą reikia pastatyti gerai vėdinamoje vietoje. Užtikrinkite, kad virš prietaiso ir aplink jį būtų bent 10 cm tarpas.
- ▶ Niekada nestatykite prietaiso drėgnoje vietoje ar ten, kur jis galėtų būti aptaškytas vandeniu. Minkšta švaria šluoste nuvalykite ir nusausinkite vandens pusrslus ir dėmes.
- ▶ Neįrengkite prietaiso tiesioginiuose saulės spinduliuose arba šalia šilumos šaltinių (pvz., viryklių, šildytuvų).
- ▶ Įtaisykite prietaisą jo dydžiui ir naudojimui tinkamoje vietoje.
- ▶ Ventiliacijos angos, esančios prietaise arba įmontuotoje konstrukcijoje, turi likti neuždengtos.
- ▶ Įsitinkite, kad techninių duomenų lentelėje pateikta elektros informacija sutampa su maitinimo šaltinio informacija. Jei ne, kreipkitės į elektriką.
- ▶ Prietaisas maitinamas 220–240 V kintamosios srovės, 50 Hz maitinimo šaltiniu. Dėl neįprastų įtampos svyravimų prietaisas gali neįsijungti, taip pat gali sugesti temperatūros reguliatorius ar kompresorius arba veikdamas gali skleisti neįprastą triukšmą. Tokiu atveju reikia įrengti automatinį reguliatorių.
- ▶ Nenaudokite kelių kištukų adapterių ir ilginamųjų kabelių.
- ▶ Už prietaiso nelaikykite kelių nešiojamųjų kištukinių lizdų arba nešiojamųjų maitinimo šaltinių.
- ▶ Įsitinkite, kad maitinimo kabelis nėra užspaustas šaldytuvo. Neužlipkite ant maitinimo kabelio.



ĮSPĖJIMAS!

- ▶ Energijos tiekimui naudokite atskirą įžemintą lizdą, kuris būtų lengvai pasiekiamas. Prietaisas turi būti įžemintas.
Taikoma tik JK. Prietaiso maitinimo kabelis turi 3 laidų (įžeminimo) kištuką, kuris tinka standartiniam 3 laidų (įžemintam) lizdui. Nenujunkite ir neišmontuokite trečiojo kaiščio (įžeminimo). Įrengus prietaisą, kištukas turi būti pasiekiamas.
- ▶ Nepažeiskite šaldalo kontūro.

Kasdienis naudojimas

- ▶ Šį prietaisą gali naudoti vaikai nuo 8 metų ir asmenys, kurių fiziniai, jutiminiai ar protiniai gebėjimai yra riboti arba kurie neturi patirties ir žinių, jei jie prižiūrimi arba jiems duoti nurodymai, kaip saugiai naudoti prietaisą, ir jie supranta su tuo susijusius pavojus.
- ▶ Vaikams nuo 3 iki 8 metų leidžiama sudėti ir išimti maisto produktus į / iš šaldymo prietaisų, bet neleidžiama jų valyti ir įrengti.
- ▶ Neleiskite prie prietaiso artintis vaikams iki 3 metų, jei jie nebus nuolat prižiūrimi.
- ▶ Vaikai negali žaisti su prietaisu.
- ▶ Jei prie prietaiso nuteka akmens anglių dujų ar kitų degiųjų dujų, užsukite čiaupą, iš kurio teka dujos, atidarykite duris, langus, ir neatjunkite šaldytuvo ar kito prietaiso maitinimo kabelio kištuko.
- ▶ Atkreipkite dėmesį, kad prietaisas, pvz., CNCQ4T620EX, CNCQ4T620EW, CNCQ4T618EX, CNCQ4T618EW, CNCQ4T618EB, yra nustatytas veikti tam tikrame aplinkos temperatūros diapazone nuo 10 °C iki 38 °C. Prietaisas gali veikti netinkamai, jei ilgą laiką paliekamas aukštesnėje arba žemesnėje nei nurodyta temperatūroje.
- ▶ Atkreipkite dėmesį, kad prietaisas, pvz., CNCQ4T620DX, CNCQ4T620DW, CNCQ4T620CX, yra nustatytas veikti tam tikrame aplinkos temperatūros diapazone nuo 10 °C iki 43 °C. Prietaisas gali veikti netinkamai, jei ilgą laiką paliekamas aukštesnėje arba žemesnėje nei nurodyta temperatūroje.
- ▶ Nedėkite nestabilių daiktų (sunkių daiktų, talpyklų, pripildytų vandens) ant šaldytuvo viršaus, kad nesusižeistumėte jiems nukritus ar nepatirtumėte elektros smūgio, kurį sukelia sąlytis su vandeniu.
- ▶ Netraukite prietaiso paėmę už durų lentynų. Durys gali iškrypti, gali iškristi butelių laikiklis arba prietaisas gali apvirsti.



ĮSPĖJIMAS!

- ▶ Nelaikykite ir nenaudokite degių, sprogių ar ėsadinančių medžiagų prietaise ar šalia jo.
- ▶ Taip pat prietaise nelaikykite vaistų, bakterijų ar cheminių medžiagų. Šis prietaisas yra buitinis. Nerekomenduojama jame laikyti medžiagų, kurioms reikia tikslaus temperatūros valdymo.
- ▶ Šaldiklyje niekada nelaikykite skysčių buteliuose ar skardinėse (išskyrus stipriuosius alkoholinius gėrimus), ypač gazuotų gėrimų, nes užšalę jie gali sprogti.
- ▶ Patikrinkite maisto būklę, jei šaldiklis atšilo.
- ▶ Šaldytuvo skyriuje be reikalo nenustatykite itin žemos temperatūros. Nustačius dideles vertes, temperatūra gali nukristi žemiau nulio. Dėmesio: buteliai gali sprogti.
- ▶ Nelieskite užšaldytų produktų drėgnomis rankomis (mūvėkite pirštines). Nevalgykite ką tik iš šaldiklio išimtų ledų. Galite nušalti odą arba gali atsirasti šalčio pūslelių. PIRMOJI pagalba: nedelsiant pakišti po šaltu vandeniu. Neplėšti!
- ▶ Prietaisui veikiant nelieskite šaldiklio kameros vidinio paviršiaus, ypač šlapiomis rankomis, nes rankos gali prisalti prie paviršiaus.
- ▶ Nutrūkus elektros tiekimui arba prieš valydami atjunkite prietaisą nuo elektros tinklo. Prieš įjungdami prietaisą palaukite bent 7 minutes, nes dažnai įjungiant gali sugesti kompresorius.
- ▶ Nenaudokite elektros įrenginių šio prietaiso maisto skyriuose, nebent jie atitinka gamintojo rekomendaciją.
Priežiūra / valymas
- ▶ Vaikai, atliekantys prietaiso valymą ir priežiūrą, turi būti prižiūrimi.
- ▶ Prieš atlikdami bet kokius įprastus priežiūros darbus atjunkite prietaisą nuo elektros tinklo. Prieš įjungdami prietaisą palaukite bent 5 minutes, nes dažnai įjungiant gali sugesti kompresorius.
- ▶ Pastatydami prietaisą įsitikinkite, kad maitinimo laidas neįstrigęs ir nepažeistas.
- ▶ Už prietaiso nelaikykite kelių nešiojamųjų kištukinių lizdų arba nešiojamųjų maitinimo šaltinių.
- ▶ Nenaudokite elektros įrenginių šio prietaiso maisto produktų laikymo skyriuose, nebent jie atitinka gamintojo rekomendaciją.
- ▶ Šiame prietaise nelaikykite sprogstamųjų medžiagų, pvz., aerozolių skardinių su skystais degalais.



ĮSPĖJIMAS!

- ▶ Atjungdami prietaisą suimkite kištuką, o ne kabelį.
- ▶ Prietaiso nevalykite kietais šepetiais, vieliniais šepetiais, skalbimo milteliais, benzinu, amilacetatu, acetonu ir panašiais organiniais tirpalais, taip pat rūgštiniais arba šarminiais tirpalais. Kad išvengtumėte pažeidimų, valykite specialiu šaldytuvo plovikliu.
- ▶ Negrandykite prišalusio ledo aštriais daiktais. Nenaudokite purškalo, elektrinių šildytuvų, pvz., šildytuvo, plaukų džiovintuvo, garinių valytuvų ar kitų šilumos šaltinių, kad nesugadintumėte plastikinių dalių.
- ▶ Nenaudokite mechaninių įtaisų ar kitų priemonių atitirpinimo procesui greitinti, išskyrus gamintojo rekomenduojamas priemones.
- ▶ Jei maitinimo laidas pažeistas, jį turi pakeisti gamintojas, jo techninės priežiūros atstovas arba panašios kvalifikacijos asmenys, kad būtų išvengta pavojaus.
- ▶ Nebandykite remontuoti, ardyti ar modifikuoti prietaiso patys. Prireikus remonto, susisiekite su mūsų klientų aptarnavimo skyriumi.
- ▶ Pašalinkite dulkes nuo įrenginio galinės dalies bent kartą per metus, kad išvengtumėte gaisro pavojaus ir būtų našiau vartojama energija.
- ▶ Valydami ant prietaiso nepurškite ir nepilkite skysčių.
- ▶ Prietaisui valyti nenaudokite vandens purkštuvo ar garų.
- ▶ Nevalykite šaltų stiklo lentynų karštu vandeniu. Dėl staigaus temperatūros pokyčio stiklas gali suskilti.

Informacija apie šaldalo dujas



ĮSPĖJIMAS!

Prietaise yra degiojo šaldalo IZOBUTANO (R600a). Patikrinkite, ar šaldalo kontūras nebuvo pažeistas prietaisą transportuojant ar įrengiant. Nutekėjęs šaldalas gali sužaloti akis arba užsidegti. Jei prietaisas buvo pažeistas, laikykite jį toliau nuo atviros ugnies šaltinių, kruopščiai vėdinkite patalpą, neprijunkite ir neatjunkite šio ar bet kokio kito prietaiso maitinimo laidų. Praneškite klientų aptarnavimo skyriui.

Šaldalo patekus į akis, tuoj pat plaukite jas tekančiu vandeniu ir nedelsdami kreipkitės į akių gydytoją.



Šis prietaisas skirtas maisto produktams vėsinti ir užšaldyti. Jis skirtas naudoti tik buityje ir panašiose srityse, pavyzdžiui, parduotuvių, biurų ir kitų darbo vietų virtuvėse, ūkiuose, viešbučiuose, moteliuose ir kitose gyvenamosiose patalpose, taip pat nakvynės ir pusryčių bei maitinimo įstaigose. Jis nėra skirtas komerciniam ar pramoniniam naudojimui.

Įrenginį keisti ar modifikuoti draudžiama. Naudojant ne pagal paskirtį įrenginys gali kelti pavojų ir garantija nebegalios.

Standartai ir direktyvos

Šis gaminytis atitinka visų taikomų EB direktyvų ir atitinkamų darnųjų standartų, skirtų CE ženklavimui, reikalavimus.

PROGRAMĖLIŲ SUSIEJIMO PROCEDŪRA

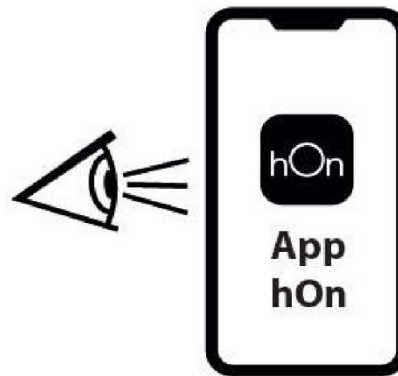
1 veiksmas • Atsisiųskite „hOn“ programėlę iš parduotuvių



2 veiksmas • Susikurkite paskyrą „hOn“ programėlėje arba prisijunkite, jei paskyrą jau turite



3 veiksmas • Vadovaukitės susiejimo instrukcijomis „hOn“ programėlėje



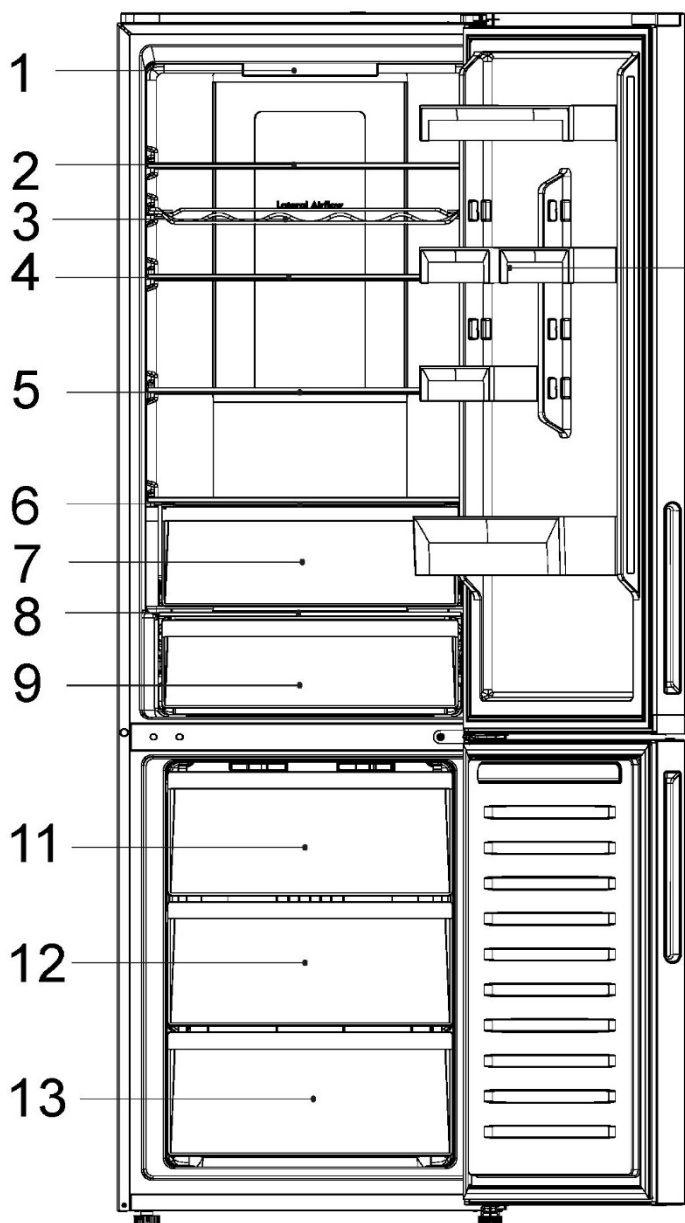
Radio modulis – techniniai duomenys

Dažnio dažnis (OFR)	2400 MHz–2843,5 MHz
Kanalų dažniai	2412–2472 MHz (žingsnio dydis 5 MHz)
Didžiausia galia (EIRP)	100 mW



PASTABA

Dėl techninių pakeitimų ir skirtingų modelių kai kurios šio vadovo iliustracijos gali skirtis nuo jūsų modelio.



CNCQ4T620EX
CNCQ4T620EB
CNCQ4T620DX
CNCQ4T620EW
CNCQ4T620DW
CNCQ4T620CX

A: Šaldytuvo skyrius

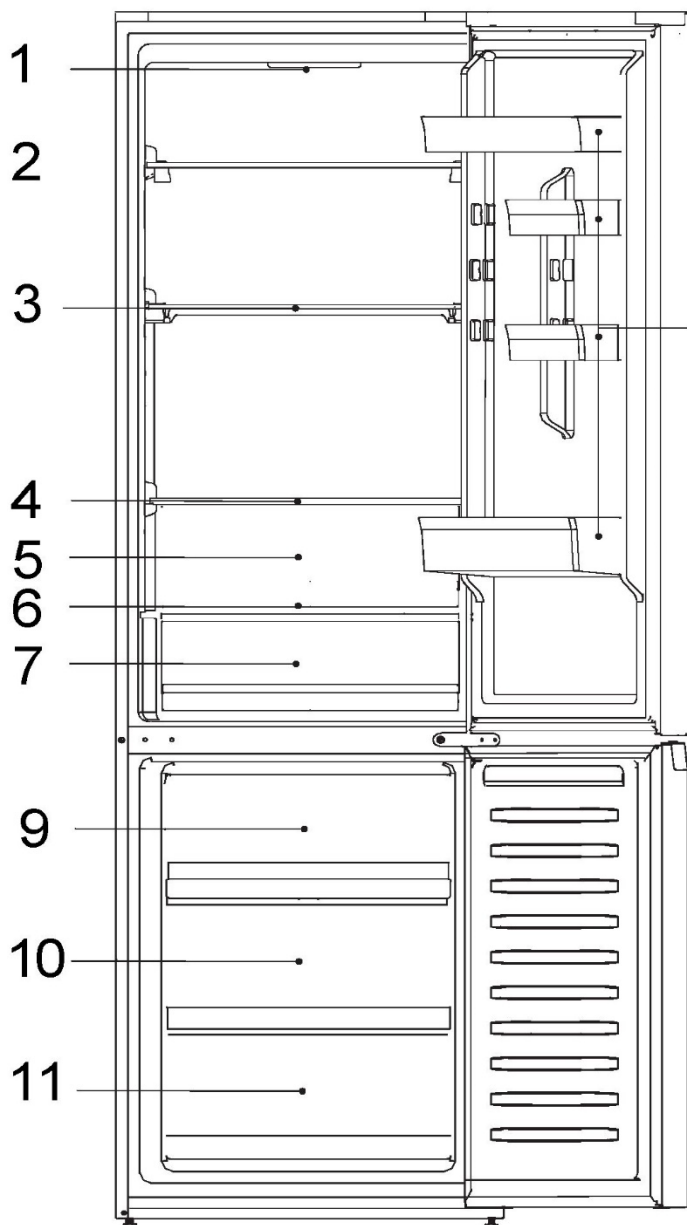
- 1- Valdymo skydelis
- 2- Stiklinė lentyna
- 3- Vyno butelių laikiklis
- 4- Stiklinė lentyna
- 5- Stiklinė lentyna
- 6- Stalčiaus dangtis
- 7- Drėgnos zonos stalčius
- 8- Stalčiaus dangtis
- 9- „Fresh 0°C“ stalčius
- 10- Durų lentynėlė

B: Šaldiklio skyrius

- 11- Viršutinis šaldiklio stalčius
- 12- Vidurinis šaldiklio stalčius
- 13- Apatinis šaldiklio stalčius

i PASTABA

Dėl techninių pakeitimų ir skirtingų modelių kai kurios šio vadovo iliustracijos gali skirtis nuo jūsų modelio.



CNCQ4T618DW
 CNCQ4T618CX
 CNCQ4T618EX
 CNCQ4T618EB
 CNCQ4T618EW

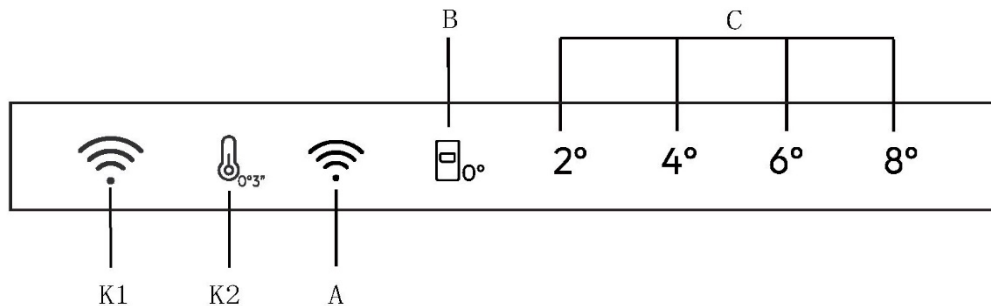
A: Šaldytuvo skyrius

- 8
- 1- Valdymo skydelis
 - 2- Stiklinė lentyna
 - 3- Stiklinė lentyna
 - 4- Stiklinė lentyna
 - 5- Srities „Humidity Zone“ stalčius
 - 6- Stalčiaus dangtis
 - 7- „Fresh 0°C“ stalčius
 - 8- Durų lentynėlė

B: Šaldiklio skyrius

- 9- Viršutinis šaldiklio stalčius
- 10- Vidurinis šaldiklio stalčius
- 11- Apatinis šaldiklio stalčius

Valdymo skydelis



Mygtukai

- K1 „Wi-Fi“ funkcijos įjungimas / išjungimas.
- K2 Temperatūros pasirinkimo įjungimo / išjungimo klavišas, naudojamas įjungti / išjungti „Fresh 0°C“ indikatorius
- A „Wi-Fi“ rodinys.

Indikatoriai

- B „Fresh 0°C“ funkcija
- C Šaldytuvo temperatūros rodinys

Prieš naudojant pirmą kartą

- ▶ Nuimkite visas pakavimo medžiagas, laikykite jas vaikams nepasiekiamoje vietoje ir išmeskite aplinkai nekenksmingu būdu.
- ▶ Nuvalykite prietaiso vidų ir išorę, taip pat vidų ir priedus vandeniu ir švelniu plovikliu ir gerai nusausinkite minkšta šluoste.
- ▶ Lygiai pastatę ir išvalę prietaisą, palaukite bent 2 valandas ir tik tada prijunkite jį prie maitinimo šaltinio. Žr. skyrių ĮRENGIMAS.
- ▶ Prieš sudėdami maisto produktus, iš anksto atvėsinkite šaldytuvo skyrius naudodami aukštus nustatymus.

Mechaniniai mygtukai

Valdymo skydelio mygtukai yra mechaniniai mygtukai.

Prietaiso įjungimas / išjungimas

Prietaisas pradeda veikti iš karto, kai yra prijungiamas prie maitinimo šaltinio.

Pirmą kartą įjungus šaldytuvą, užsidega „B“ indikatorius „4°“ (šaldytuvo temperatūros rodinys) ir laikymo 0 °C temperatūroje stalčiaus indikatorius „0°“.

Šaldytuvo ir šaldiklio temperatūros vertės automatiškai nustatomos atitinkamai į 4 °C ir -20 °C, pradeda veikti laikymo 0 °C temperatūroje stalčius.



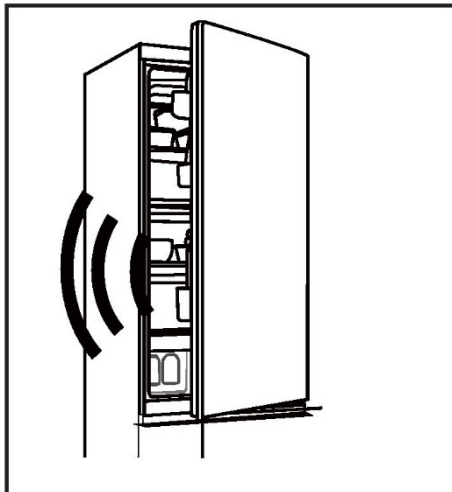
PASTABA

Prietaise iš anksto nustatyta rekomenduojama temperatūra 4 °C. Tai rekomenduojami nustatymai. Jei norite, galite pakeisti šias temperatūras rankiniu būdu.

Atidarytų durų signalas

Kai vienos iš šaldytuvo durų laikomos atidarytos ilgiau nei 3 minutes, įsijungia atidarytų durų signalas.

Signalą galima nutildyti uždarius duris. Jei durys paliekamos atidarytos ilgiau nei 7 minutes, šaldytuvo viduje esanti lemputė ir valdymo skydelio apšvietimas automatiškai išsijungia.



Maitinimo įjungimas / išjungimas

Kai prietaisas yra įjungtas, paspauskite mygtuką K1 ir palaikykite 3 sekundes, prietaisas persijungia į budėjimo režimą, kompresorius nustoja veikti ir lemputė užgesa. Kai prietaisas veikia budėjimo režimu, paspauskite mygtuką K1 ir palaikykite 3 sekundes, prietaisas įsijungs, kompresorius pradės veikti ir lemputė užsidegs.

Temperatūros reguliavimas

Prietaiso vidaus temperatūrai įtakos turi šie veiksniai:

aplinkos temperatūra;

durų atidarymo dažnis;
laikomų maisto produktų kiekis;
prietaiso įrengimas.

Šaldytuvo / šaldiklio skyriaus temperatūros reguliavimas

1. Paspauskite mygtuką K2 (šaldytuvo temperatūros pasirinkimas) ir pasirinkite šaldytuvo temperatūrą.
2. „B“ indikatorius (šaldytuvo temperatūros rodinys) švies pakaitomis, kaip nurodyta toliau:

2° → 4° → 6° → 8°

3. Kai valdymo skydelyje pasirenkate šaldytuvo temperatūrą, atitinkama šaldiklio temperatūra yra 2° (-22°) → 4° (-20°) → 6° (-18°) → 8° (-16°).

„Fresh 0°C“ funkcija

Norėdami įjungti laikymo 0°C temperatūroje režimą, kai šaldytuvo durys atidarytos, paspauskite K2 ir palaikykite 3 sekundes, kol pasigirs garsinis signalas, užsidegs indikatorius „0°“, „Fresh 0°C“ stalčiaus temperatūra bus artima 0°C.

Norėdami išėiti iš laikymo 0° temperatūroje režimo, kai šaldytuvo durys atidarytos, paspauskite K2 ir palaikykite 3 sekundes, kol pasigirs garsinis signalas, užges indikatorius „0°“; „0°“ stalčiaus temperatūra keisis kartu su šaldymo temperatūra.

Režimo nustatymas

Sėkmingai prisijungę prie šaldytuvo „Wi-Fi“, galite nustatyti režimą naudodamiesi programėle, nustačius C rodinio indikatoriai užges. Kiekvieną kartą sėkmingai nustačius režimą durų lemputė vieną kartą mirkteli.

Šaldytuve galima nustatyti tokias temperatūros vertes: 2°, 3°, 4°, 5°, 6°, 7°, 8°.

Šaldiklyje galima nustatyti tokias temperatūros vertes: -24°, -23°, -22°, -21°, -20°, -19°, -18°, -17°, -16°.

„Fresh 0°C“ funkciją galima įjungti arba išjungti.

Intensyvaus šaldymo funkcija „Super Freeze“

1. Šviežius maisto produktus reikia kuo greičiau visiškai užšaldyti. Taip išsaugoma geriausia maistinė vertė, išvaizda ir skonis. „Super Freeze“ funkcija pagreitina šviežių maisto produktų užšaldymą ir apsaugo jau laikomus produktus nuo nepageidaujamo atšilimo. Jei vienu metu norite užšaldyti didelį kiekį maisto produktų, rekomenduojama įjungti „Super Freeze“ funkciją 24 val. prieš naudojant užšaldymo sritį.

2. Galite įjungti „Super Freeze“ funkciją naudodami programėlę ir šiuo metu rodinį



PASTABA

1. Prietaisas išjungia „Super Freeze“ funkciją po to, kai „Super Freeze“ funkcija išbūna įjungta 50 valandų arba paspaudžiamas K2, arba ji išjungžiama per programėlę.
2. Esant įjungtai „Super Freeze“ funkcijai, negalima reguliuoti šaldymo skyriaus temperatūros.



Intensyvaus vėsinimo funkcija „Super Cool“

1. Rekomenduojama įjungti „Super Cool“ funkciją, jei laikote didesnį kiekį maisto (pavyzdžiui, apsipirkus). „Super Cool“ funkcija pagreitina šviežio maisto aušinimą ir apsaugo jau laikomas prekes nuo nepageidaujamo atšilimo.
2. „Super Cool“ funkciją galite įjungti per programėlę ir šiuo metu roдиниų skydelio C piktogramos užgęsta.



PASTABA

1. Prietaisas išjungia „Super Cool“ funkciją po to, kai „Super Cool“ funkcija išbūna įjungta 6 valandas arba paspaudžiamas K2, arba ji išjungžiama per programėlę.
2. Esant įjungtai „Super Cool“ funkcijai, negalima reguliuoti šaldytuvo skyriaus temperatūros.

Atostogų funkcija „Holiday“

„Holiday“ funkcija gali būti naudojama prietaiso energijos suvartojimui sumažinti, kai prietaisas naudojamas nereguliariai. Kai funkcija įjungta, šaldytuvai išjungtas, o šaldiklis toliau veiks įprastai. Funkcija nustatoma nuolatinė šaldytuvo temperatūra – 17 °C.

„Holiday“ funkciją galite įjungti per programėlę ir šiuo metu roдиниų skydelio C piktogramos užgęsta.



PASTABA

Funkciją galima išjungti nustačius šaldytuvo temperatūrą arba atliekant bet kokią kitą nustatymą, arba išjungiant ją per programėlę.

Kai įjungtas „Holiday“ režimas, šaldytuvo lemputė nedega.

„Wi-Fi“ ryšio funkcija

Kai šaldytuvo durys atidarytos, paspauskite K1 klavišą ir palaikykite 3 sekundes, pasigirsta garsinis signalas, A piktograma greitai mirksi ir „Wi-Fi“ pereina į konfigūravimo būseną.

Atidarytų durų signalizacija ir patarimai atsiradus trikčių

Šaldytuvo durys neuždaromos iki 3 minučių, šaldytuvai skleidžia garsinį signalą, tuo pat metu mirksi durų indikatoriaus lemputė; jei durys atidarytos iki 13 minučių ir vis dar neuždaromos, šaldytuvai nebeskleidžia garsinio signalo, durų indikatoriaus lemputė mirksi. Jei šaldytuvo šaldiklio durys uždarytos, o šaldytuvai vis dar skleidžia garsinį signalą arba durų indikatoriaus lemputė toliau mirksi, gali būti, kad sugedo šaldytuvo dalys, todėl kuo skubiau kreipkitės į garantinio aptarnavimo skyrių.

Išjungus šaldytuvą, įsimenama momentinė darbo būseną, buvusi nutrūkus maitinimui, o vėl įjungus maitinimą, šaldytuvai ir toliau veikia pagal nustatytą režimą ir funkcinę būseną, buvusius prieš nutrūkstam maitinimui.

Patarimai, kaip laikyti šviežius maisto produktus

Laikymas šaldytuvo skyriuje

Šaldytuvo temperatūra turi būti ne aukštesnė nei 5 °C.

Prieš sudedant karštą maistą į prietaisą, jį reikia atvėsinti iki kambario temperatūros.

Prieš sudedant maisto produktus į šaldytuvą, juos reikia nuplauti ir nusausinti.

Šaldytuve laikomus maisto produktus reikia tinkamai uždaryti, kad nepakistų kvapas ar skonis.

Nelaikykite pernelyg didelio maisto produktų kiekio. Tarp maisto produktų palikite tarpų, kad aplink juos galėtų cirkuliuoti šaltas oras ir būtų tolygiau vėsinama.

Kasdien valgomus maisto produktus reikėtų laikyti lentynos priekyje.

Palikite tarpą tarp maisto produktų ir vidinių prietaiso sienelių, kad oras galėtų cirkuliuoti. Bet koku atveju nelaikykite maisto produktų prie galinės sienelės – maistas gali prie jos prisalti. Stenkitės, kad maistas (ypač riebus ar rūgštus) nesiliestų su vidiniu įdėklu, nes riebalai / rūgštis gali pažeisti vidinį įdėklą. Aptikę riebalų / rūgšties nešvarumus juos nuvalykite.

Šaldytą maistą galima palengva atitirpinti šaldytuvo skyriuje. Taip sutaupoma energijos.

Šaldytuve laikomi vaisiai ir daržovės, pavyzdžiui, cukinijos, melionai, papajos, bananai, ananasai ir kt., gali sugesti greičiau. Todėl jų nepatartina laikyti šaldytuve. Tačiau tam tikrą laikotarpį galima panokinti itin žalius vaisius. Svogūnus, česnakus, imbierą ir kitas šaknines daržoves taip pat reikėtų laikyti kambario temperatūroje.

Nemalonus kvapas šaldytuvo viduje – tai ženklas, kad kažkas išsiliejo ir reikia išvalyti. Žr. skyrių „Priežiūra ir valymas“.

Skirtingus maisto produktus reikėtų sudėti skirtingose vietose atsižvelgiant į jų savybes.

Laikymas šaldiklio skyriuje

- Šaldiklio temperatūra turi būti -18 °C.
- Prieš sudedant karštą maistą į šaldiklio skyrių, jį reikia atvėsinti iki kambario temperatūros.
- Maistas, suskirstytas mažomis porcijomis, užšals greičiau, jį bus lengviau atitirpinti ir gaminti. Rekomenduojamas kiekvienos porcijos svoris – ne daugiau nei 2,5 kg.
- Prieš sudedant maisto produktus į šaldiklį, juos geriau supakuoti. Pakuotės išorė turi būti sausa, kad maišeliai nesuliptų. Pakavimo medžiagos turi būti bekvapės, sandarios, nenuodingos ir netoksiškos.
- Kad nepraleistumėte produktų laikymo termino pabaigos, ant pakuotės nurodykite užšaldymo datą, terminą ir maisto produkto pavadinimą, atsižvelgdami į skirtingų maisto produktų laikymo terminus.



ĮSPĖJIMAS!

Rūgštys, šarmai, druskos ir kt. gali pažeisti vidinį šaldiklio paviršių.

- Nedėkite šių medžiagų turinčių maisto produktų (pvz., jūrinių žuvies) tiesiai ant vidinio paviršiaus. Sūrų vandenį šaldiklyje reikia nedelsiant išvalyti.
- Neviršykite gamintojų rekomenduojamos maisto produktų laikymo trukmės. Iš šaldiklio išimkite tik reikiamą maisto produktų kiekį.
- Greitai suvartokite atitirpintą maistą. Atitirpinto maisto negalima pakartotinai užšaldyti, nebent prieš tai jis buvo termiškai apdorotas. Priešingu atveju jo valgyti negalima.
- Į šaldiklio skyrių nesudėkite pernelyg daug šviežio maisto. Šaldiklio šaldymo pajėgumas nurodytas skyriuje TECHNINIAI DUOMENYS arba tipo duomenų lentelėje.
- Priklausomai nuo maisto produktų savybių, juos galima laikyti šaldiklyje ne aukštesnėje kaip $-18\text{ }^{\circ}\text{C}$ temperatūroje nuo 2 iki 12 mėnesių (pvz., mėsa: 3–12 mėn., daržovės: 6–12 mėn.).
- Norėdami užšaldyti šviežius maisto produktus, stenkitės, kad jie nesiliestų su jau užšaldytu maistu. Atitirpimo rizika!

Laikydami komerciniais tikslais užšaldytus maisto produktus, laikykitės toliau nurodytų rekomendacijų.

- Visada laikykitės gamintojų nurodymų, kiek laiko turėtumėte laikyti maisto produktus. Nelaikykite produktų ilgiau nei rekomenduojama!
- Įsigytus produktus stenkitės sudėti į prietaisą kuo greičiau, kad būtų išsaugota maisto kokybė.
- Pirkite šaldytus maisto produktus, kurie buvo laikomi $-18\text{ }^{\circ}\text{C}$ ar žemesnėje temperatūroje.
- Stenkitės nepirkti maisto produktų, ant kurių pakuočių yra ledo ar šerkšno – tai rodo, kad produktai galėjo būti iš dalies atitirpinti ir vėl užšaldyti. Pakilusi temperatūra paveikia maisto kokybę.

„Wi-Fi“ režimo nustatymas

PROGRAMĖLIŲ SUSIEJIMO PROCEDŪRA

1 veiksmas • Atsisiųskite „hOn“ programėlę iš parduotuvių



2 veiksmas • Susikurkite paskyrą „hOn“ programėlėje arba prisijunkite, jei paskyrą jau turite



3 veiksmas • Vadovaukitės susiejimo instrukcijomis „hOn“ programėlėje



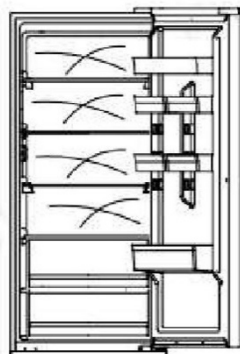
Radio modulis – techniniai duomenys

Dažnio dažnis (OFR)	2400 MHz–2843,5 MHz
Kanalų dažniai	2412–2472 MHz (žingsnio dydis 5 MHz)
Didžiausia galia (EIRP)	100 mW



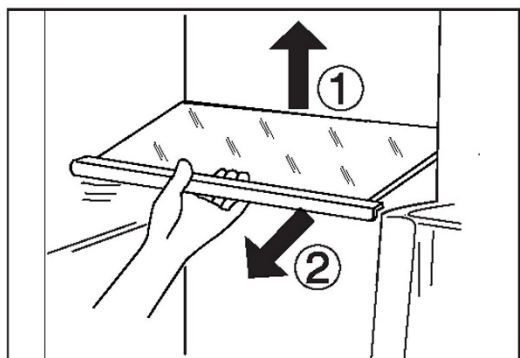
PASTABA

Dėl skirtingų modelių jūsų gaminys gali turėti ne visas toliau nurodytas funkcijas. Žr. skyrių „Gaminio aprašymas“.



Kelių oro srautų sistema

Šaldytuve įrengta kelių oro srautų sistema – vėsaus oro srautai cirkuliuoja kiekvieno lygio lentynose. Tai padeda palaikyti vienodą temperatūrą, kad maistas ilgiau išliktų šviežias.

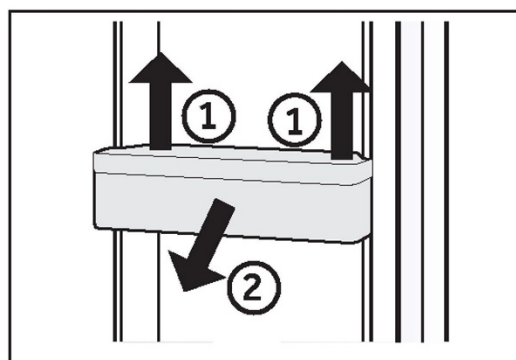


Reguliuojamos lentynos

1. Lentynų aukštį galima reguliuoti pagal jūsų produktų laikymo poreikius.
2. Norėdami perkelti lentyną, pirmiausia ją nuimkite pakeldami galinį kraštą ① ir ištraukdami ②.
3. Norėdami ją įstatyti, uždėkite ant ąselių abiejose pusėse ir įstumkite iki galo, kol lentynos galinė dalis užsifiksuos šonuose esančiuose grioveluose.

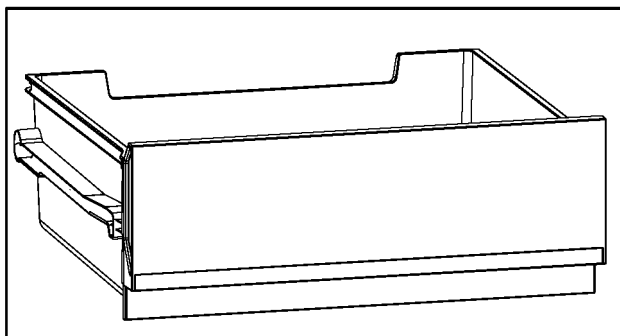
Nuimamos durų lentynėlės / butelių laikiklis

1. Durų lentynėles galima išimti norint jas išvalyti.
2. Padėkite rankas ant abiejų lentynėlių pusių, pakelkite aukštyn ① ir ištraukite ②.
3. Norint įdėti durų lentynėlę, pirmiau minėti veiksmai atliekami atvirkštine tvarka.



Šaldytuvo stalčius

Kaip naudoti ir nustatyti šaldytuvo skyrių, žr. skyriuje „NAUDOJIMAS“.



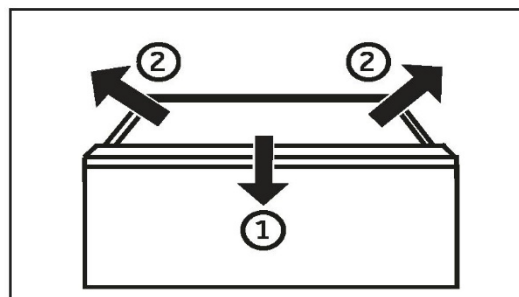
Šaldiklio stalčius

Šaldiklio stalčius galima ištraukti tiesiai ir iki galo. Jie sumontuoti ant lengvai besisukančių teleskopinių bėgelių. Taip galite patogiai sudėti ir išimti šaldytus maisto produktus. Dėl automatinio durų uždarymo mechanizmo jas naudoti yra paprasta ir galima taupyti energiją.

Išimamas stalčius

Norėdami išimti stalčių, ištraukite maksimaliai ①, pakelkite ir išimkite ②.

Norėdami įstatyti stalčių, pirmiau nurodytus veiksmus atlikite atvirkštine tvarka.



ĮSPĖJIMAS!

Pernelyg neperkraukite stalčių – didžiausia kiekvieno stalčiaus apkrova yra 35 kg!

Apšvietimas

Atidarius duris užsidega salono šviesos diodo lemputė. Šviesų veikimui neturi įtakos jokie kiti prietaiso nustatymai.



Energijos taupymo patarimai

- ▶ Įsitikinkite, kad prietaiso ventiliacija yra tinkama (žr. ĮRENGIMAS).
- ▶ Neįrenkite prietaiso tiesioginiuose saulės spinduliuose arba šalia šilumos šaltinių (pvz., viryklių, šildytuvų).
- ▶ Stenkitės be reikalo nenustatyti žemos temperatūros prietaise. Kuo žemesnė temperatūra nustatoma prietaise, tuo daugiau energijos suvartojama.
- ▶ Prieš dėdami šiltą maistą į prietaisą palaukite, kol jis atvės.
- ▶ Laikykite prietaiso duris atidarytas kuo trumpiau ir kuo mažiau.
- ▶ Neperpildykite prietaiso, kad nesutriktų oro cirkuliacija.
- ▶ Stenkitės, kad maisto produktų pakuotėse nebūtų oro.
- ▶ Pasirūpinkite, kad durų sandarikliai būtų švarūs ir durys visada tinkamai užsidarytų.
- ▶ Siekiant sutaupyti kuo daugiau energijos, prietaiso stalčius, maisto produktų dėžę ir lentynos turi būti švarios kaip gamykloje, o maisto produktai turi būti dedami neuždengiant ortakių oro išleidimo angos.



ĮSPĖJIMAS!

Prieš valydami atjunkite prietaisą nuo maitinimo šaltinio.

Valymas

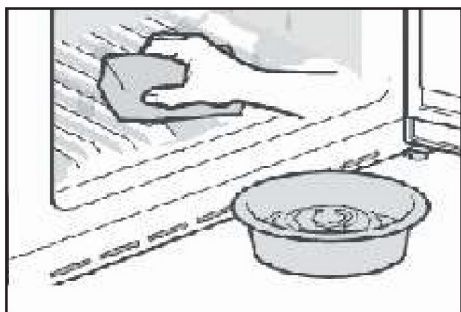
Valykite prietaisą tada, kai jame laikote tik nedidelį kiekį maisto produktų arba jis yra tuščias.

Prietaisą reikia valyti ne rečiau kaip kartą per keturias savaites, kad būtų užtikrinta tinkama priežiūra ir nebūtų nemalonių laikomo maisto kvapų.



ĮSPĖJIMAS!

- ▶ Prietaiso nevalykite kietais šepėčiais, vieliniais šepėčiais, skalbimo milteliais, benzinu, amilacetatu, acetonu ir panašiais organiniais tirpalais, taip pat rūgštiniais arba šarminiais tirpalais. Kad išvengtumėte pažeidimų, valykite specialiu šaldytuvo plovikliu.
- ▶ Valydami ant prietaiso nepurškite ir nepilkite skysčių.
- ▶ Prietaisui valyti nenaudokite vandens purkštuvo ar garų.
- ▶ Nevalykite šaltų stiklo lentynų karštu vandeniu. Dėl staigaus temperatūros pokyčio stiklas gali suskilti.
- ▶ Dirbdami nelieskite šaldiklio skyriaus vidinio paviršiaus, ypač šlapiomis rankomis, nes rankos gali prišalti prie paviršiaus.



- ▶ Durų tarpiklis visada turi būti švarus.
- ▶ Prietaiso vidų ir korpusą valykite šiltu vandeniu ir neutraliu plovikliu sudrėkinta kempine.
- ▶ Šaldytuvo vidų ir išorę, įskaitant durų sandariklį, durų lentynėlę, stiklines lentynas, dėžes ir pan., valykite šiltu vandeniu sudrėkintu minkštu rankšluosčiu arba kempine (į šiltą vandenį galima įpilti neutralaus ploviklio).
- ▶ Išsiliejus skysčiui, išimkite visas užterštas dalis, nuskalaukite tekančiu jas vandeniu, nusausinkite ir vėl įdėkite į šaldytuvą.
- ▶ Išsiliejus kreminės konsistencijos produktui (pvz., grietinėlė, ištirpę ledai), išimkite visas suteptas dalis ir pamirkykite šiltame apie 40 °C vandenyje, paskui nuskalaukite tekančiu vandeniu, nusausinkite ir vėl įdėkite į šaldytuvą.
- ▶ Jei maža dalis ar detalė šaldytuve įstrigo (tarp lentynų ar stalčių), pabandykite ją išimti mažu švelniu šepetėliu. Jei nepavyksta, kreipkitės į „Haier“ techninės priežiūros skyrių.
- ▶ Nuskalaukite ir nusausinkite minkšta šluoste.
- ▶ Neplaukite jokių prietaiso dalių indaplovėje.
- ▶ Prieš vėl įjungdami prietaisą palaukite bent 7 minutes, nes dažnai įjungiant gali sugesti kompresorius.

Atitirpinimas

Šaldytuvo ir šaldiklio skyrių atitirpinimas atliekamas automatiškai – jo nereikia valdyti rankiniu būdu.

Šviesos diodo lempučių keitimas



ĮSPĖJIMAS!

Nekeiskite šviesos diodo lemputės patys, ją gali pakeisti tik gamintojas arba įgaliotasis techninės priežiūros atstovas.

Šviesos šaltinis yra šviesos diodas, kuris sunaudoja mažai energijos ir ilgai tarnauja. Jei lemputė veikia neįprastai, susisiekite su klientų aptarnavimo skyriumi. Žr. skyrių KLIENTŲ APTARNAVIMAS.

Lemputės parametrai:

Šaldytuvo skyrius: maks. 12 V, 1,5 W

Nenaudojimas ilgesnį laiką

Jei prietaisas nenaudojamas ilgą laiką:

išimkite maistą.

Atjunkite maitinimo laidą.

išvalykite prietaisą, kaip aprašyta pirmiau;

palikite duris atidarytas, kad viduje neatsirastų nemalonių kvapų.



PASTABA

Išjunkite prietaisą tik tuo atveju, jei tai tikrai būtina.

Prietaiso gabenimas

1. Išimkite visą maistą ir atjunkite prietaisą.
2. Šaldytuvo ir šaldiklio lentynas bei kitas judančias dalis pritvirtinkite lipnia juosta.
3. Nepakreipkite šaldytuvo didesniu nei 45° kampu, kad nepažeistumėte šaldymo sistemos.



ĮSPĖJIMAS!

- ▶ Nekelkite prietaiso už rankenų.
- ▶ Niekada nedėkite prietaiso horizontaliai ant žemės.

Daugelį iškilusių problemų galite išspręsti patys, neturėdami specialių žinių. Kilus problemai, prieš kreipdamiesi į garantinio aptarnavimo skyrių, patikrinkite visas nurodytas galimybes ir vadovaukitės toliau pateiktais nurodymais. Žr. skyrių KLIENTŲ APTARNAVIMAS.



ĮSPĖJIMAS!

- ▶ Prieš atlikdami techninę priežiūrą, išjunkite prietaisą ir ištraukite maitinimo kištuką iš elektros lizdo.
- ▶ Elektros įrangos techninę priežiūrą turėtų atlikti tik kvalifikuoti elektros specialistai, nes netinkamai atliktas remontas gali sukelti didelę žalą.
- ▶ Pažeistą maitinimo laidą turi pakeisti tik gamintojas, jo techninės priežiūros atstovas arba panašios kvalifikacijos asmenys, kad būtų išvengta pavojaus.

Problema	Galima priežastis	Galimas sprendimas
Kompresorius neveikia.	<ul style="list-style-type: none"> • Maitinimo kištukas neįjungtas į elektros lizdą. • Įjungtas prietaiso atitirpinimo ciklas. 	<ul style="list-style-type: none"> • Prijunkite maitinimo kištuką. • Tai normalu veikiant automatiniam atitirpinimui.
Prietaiso aktyvus veikimas yra per dažnas arba per ilgai trunka.	<ul style="list-style-type: none"> • Patalpų arba lauko temperatūra yra per aukšta. • Prietaisas kurį laiką buvo išjungtas. • Nesandariai uždarytos prietaiso durys. • Durys buvo atidaromos per dažnai arba per ilgai. • Nustatyta per žema šaldiklio skyriaus temperatūra. • Durų tarpiklis yra nešvarus, susidėvėjęs, įtrūkęs arba nepriklunda. • Neužtikrinama reikiama oro cirkuliacija. 	<ul style="list-style-type: none"> • Šiuo atveju normalu, kad prietaisas aktyviai veikia ilgiau. • Paprastai prietaisui visiškai atvėsti prireikia 8–12 valandų. • Uždarykite duris ir (arba) stalčių ir įsitikinkite, kad prietaisas stovi ant lygaus pagrindo, o durims uždaryti nekliudo maisto produktai ar indai. • Neatidarinėkite durų ir (arba) stalčiaus per dažnai. • Nustatykite aukštesnę temperatūrą, kol bus pasiekta patenkinama šaldytuvo temperatūra. Šaldytuvo temperatūra stabilizuojasi per 24 valandas. • Išvalykite durų ir (arba) stalčiaus tarpiklį arba kreipkitės į klientų aptarnavimo tarnybą, kad jį pakeistų. • Užtikrinkite pakankamą ventiliaciją.



Problema	Galima priežastis	Galimas sprendimas
Šaldytuvo vidus yra nešvarus ir (arba) iš jo sklinda nemalonas kvapas.	<ul style="list-style-type: none"> • Šaldytuvo vidų reikia išvalyti. • Šaldytuve laikomi stipraus kvapo maisto produktai. 	<ul style="list-style-type: none"> • Išvalykite šaldytuvo vidų. • Kruopščiai suvyniokite maistą.
Prietaiso viduje nėra pakankamai šalta.	<ul style="list-style-type: none"> • Nustatyta per aukšta temperatūra. • Šaldytuve laikomi pernelyg šilti maisto produktai. • Vienu metu laikoma per daug maisto produktų. • Produktai sudėti pernelyg arti vienas kito. • Nesandariai uždarytos prietaiso durys ir (arba) stalčius. • Durys ir (arba) stalčius buvo atidaromi per dažnai arba per ilgai. 	<ul style="list-style-type: none"> • Nustatykite temperatūrą iš naujo. • Prieš sudėdami produktus į šaldytuvą, visada juos atvėsinkite. • Visada laikykite nedidelį maisto produktų kiekį. • Palikite tarpus tarp maisto produktų, kad cirkuliuotų oras. • Uždarykite duris ir (arba) stalčių. • Neatidarinėkite durų ir (arba) stalčiaus per dažnai.
Prietaiso viduje per šalta.	<ul style="list-style-type: none"> • Nustatyta per žema temperatūra. 	<ul style="list-style-type: none"> • Nustatykite temperatūrą iš naujo.
Šaldytuvo skyriaus viduje susidaro drėgmė.	<ul style="list-style-type: none"> • Klimatas pernelyg šiltas ir per drėgnas. • Nesandariai uždarytos prietaiso durys ir (arba) stalčius. • Durys ir (arba) stalčius buvo atidaromi per dažnai arba per ilgai. • Indai su maistu ar skysčiais palikti atidaryti. 	<ul style="list-style-type: none"> • Padidinkite temperatūrą. • Uždarykite duris ir (arba) stalčių. • Neatidarinėkite durų ir (arba) stalčiaus per dažnai. • Palaukite, kol karštas maistas atvės iki kambario temperatūros ir uždenkite maistą bei skysčius.
Drėgmė kaupiasi ant šaldytuvo išorinio paviršiaus arba tarp durų / durų ir stalčiaus.	<ul style="list-style-type: none"> • Klimatas pernelyg šiltas ir per drėgnas. • Durys nėra sandariai uždarytos. Susidaro šalto oro prietaiso viduje ir šilto oro jo išorėje kondensacija. 	<ul style="list-style-type: none"> • Tai normalu drėgname klimate. Situacija pasikeis sumažėjus drėgmei. • Įsitikinkite, kad durys ir (arba) stalčius yra sandariai uždaryti.

Problema	Galima priežastis	Galimas sprendimas
Šaldiklio skyriuje susidarę daug ledo ir šerkšno.	<ul style="list-style-type: none"> • Produktai nebuvo tinkamai supakuoti. • Nesandariai uždarytos prietaiso durys ir (arba) stalčius. • Durys ir (arba) stalčius buvo atidaromi per dažnai arba per ilgai. • Durų ir (arba) stalčiaus tarpiklis yra nešvarus, susidėvėjęs, įtrūkęs arba nepriglunda. • Kažkas viduje trukdo tinkamai uždaryti duris ir (arba) stalčių. 	<ul style="list-style-type: none"> • Visada gerai supakuokite produktus. • Uždarykite duris ir (arba) stalčių. • Neatidarinėkite durų ir (arba) stalčiaus per dažnai. • Išvalykite durų ir (arba) stalčiaus tarpiklius arba pakeiskite juos naujais. • Pakeiskite lentynų, durų lentynėlių ar vidinių talpyklų padėtį, kad būtų galima uždaryti duris ir (arba) stalčių.
Korpuso šonai ir durų juosta sušyla.	<ul style="list-style-type: none"> • - 	<ul style="list-style-type: none"> • Tai normalu.
Prietaisas skleidžia nejprastus garsus.	<ul style="list-style-type: none"> • Prietaisas pastatytas ant nelygaus paviršiaus. • Prietaisas liečia šalia jo esantį objektą. 	<ul style="list-style-type: none"> • Sureguliuokite kojeles, kad sulygiuotumėte prietaisą. • Pašalinkite aplink prietaisą esančius objektus.
Girdimas nežymus garsas, primenantis tekančio vandens garsą.	<ul style="list-style-type: none"> • - 	<ul style="list-style-type: none"> • Tai normalu.
Girdimas signalo pypsėjimas.	<ul style="list-style-type: none"> • Šaldytuvo skyriaus durys atidarytos. 	<ul style="list-style-type: none"> • Uždarykite duris.
Girdimas silpnas ūžesys.	<ul style="list-style-type: none"> • Veikia antikondensacinė sistema. 	<ul style="list-style-type: none"> • Ji apsaugo nuo kondensacijos ir tai yra normalus reiškinys.
Vidaus apšvietimo ar aušinimo sistema neveikia.	<ul style="list-style-type: none"> • Prietaisas veikia demonstraciniu režimu 	<ul style="list-style-type: none"> • Šaldytuvas prijungtas prie maitinimo šaltinio, o šaldytuvo durys atidarytos. • Paspauskite ir palaikykite K1 mygtuką, tada penkis kartus spustelėkite K2 mygtuką, tada piktograma nustos šviesti.



Problema	Galima priežastis	Galimas sprendimas
Vidaus apšvietimo ar aušinimo sistema neveikia.	<ul style="list-style-type: none"> Maitinimo kištukas neįjungtas į elektros lizdą. Netinkamai tiekiamas maitinimas. Neveikia šviesos diodo lemputė. 	<ul style="list-style-type: none"> Prijunkite maitinimo kištuką. Patikrinkite, ar į patalpą tiekama elektros energija. Skambinkite vietos elektros energijos tiekimo įmonei! Norėdami pakeisti lemputę, kreipkitės į techninės priežiūros tarnybą.

Norėdami susisiekti su techninės pagalbos tarnyba, apsilankykite mūsų svetainėje: <https://corporate.haier-europe.com/en/>

Skiltyje „svetainė“ pasirinkite savo gaminio prekės ženklą ir šalį. Būsime nukreipti į konkrečią svetainę, kurioje rasite telefono numerį ir formą, skirtą susisiekti su technine pagalba.

Elektros energijos tiekimo nutraukimas

Nutrūkus elektros energijos tiekimui, maistas turėtų išlikti saugiai šaltas apie 5 valandų. Elektros energijos tiekimui nutrūkus ilgesnį laiką, ypač vasarą, vadovaukitės toliau išvardytais patarimais.

- ▶ Atidarinkite duris ir (arba) stalčių kuo rečiau.
- ▶ Nutrūkus elektros energijos tiekimui, nedėkite į prietaisą papildomų maisto produktų.
- ▶ Jei apie elektros energijos tiekimo nutraukimą pranešama iš anksto ir jis trunka ilgiau nei 5 valandų, pasigaminkite ledo ir sudėkite jį į šaldytuvo skyriaus viršuje esantį indą.
- ▶ Nutrūkus elektros energijos tiekimui maisto produktus reikia nedelsiant apžiūrėti.
- ▶ Kadangi nutrūkus elektros tiekimui ar įvykus kitam gedimui temperatūra šaldytuve pakyla, sumažėja maisto produktų laikymo trukmė ir jų valgomoji kokybė. Siekiant išvengti pavojaus sveikatai, bet kokius atitirpusius maisto produktus reikia suvartoti arba ilgai nedelsiant išvirti ir vėl užšaldyti (jei tinka).

Atminties funkcija nutrūkus elektros energijos tiekimui

Atkūrus elektros energijos tiekimą, prietaisas veikia tais pačiais nustatymais, kurie buvo naudojami prieš sutrinkant elektros energijos tiekimui.

Išpakavimas



ĮSPĖJIMAS!

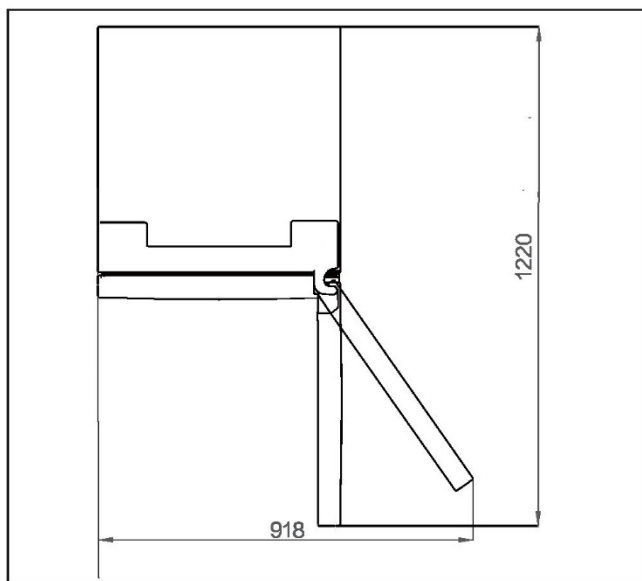
- ▶ Prietaisas yra sunkus. Jam perkelti visada reikės dviejų asmenų.
- ▶ Laikykite visas pakavimo medžiagas vaikams nepasiekiamoje vietoje ir išmeskite aplinkai nekenksmingu būdu.
- ▶ Išimkite prietaisą iš pakuotės.
- ▶ Nuimkite visas pakavimo medžiagas.

Aplinkos sąlygos

Šaldytuvams CNCQ2T620EX, CNCQ2T620EW, CNCQ2T618EX, CNCQ4T618EW, CNCQ4T618EB, kambario temperatūra visada turi būti nuo 10°C iki 43°C; o šaldytuvams CNCQ4T620DX, CNCQ4T620DW kambario temperatūra visada turi būti nuo 10°C iki 38°C, nes tai gali turėti įtakos temperatūrai prietaiso viduje ir jo energijos sąnaudoms. Neįrengkite prietaiso šalia kitų neizoliuotų šilumą skleidžiančių prietaisų (orkaičių, šaldytuvų).

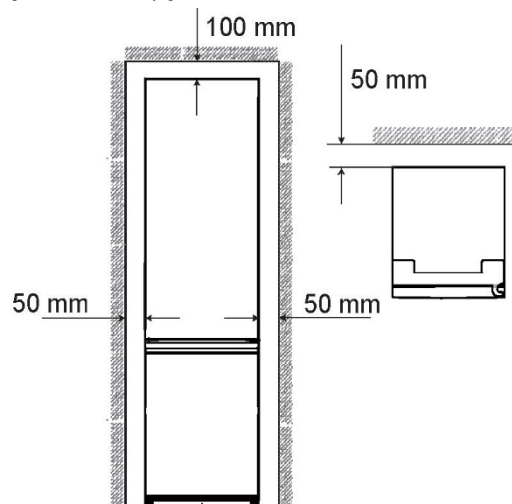
Erdvės reikalavimai

Rekomenduojamas plotas, kai durys yra



Ventiliacijos skerspjūvis

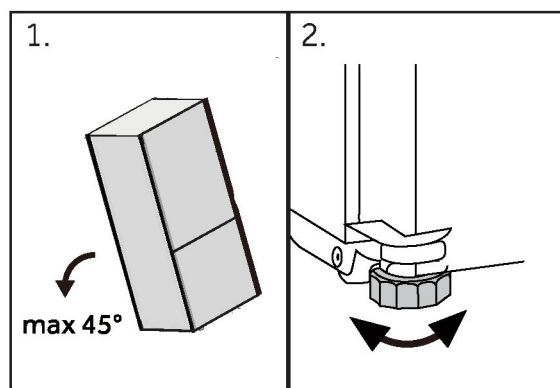
Siekiant užtikrinti pakankamą prietaiso ventiliaciją saugos sumetimais, rekomenduojama atkreipti dėmesį į informaciją apie ventiliacijos skerspjūvius

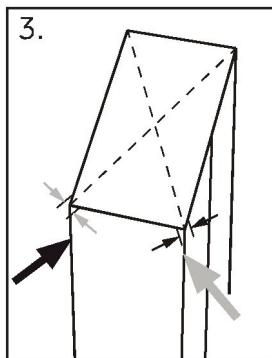


Prietaiso sulygiavimas

Prietaisą reikia statyti ant lygaus ir vientiso paviršiaus.

1. Šiek tiek paverskite šaldytuvą atgal.
 2. Nustatykite pageidaujimą kojelių lygį.
- Įsitinkinkite, kad atstumas iki sienos iš virių pusės yra bent 100 mm, kad durys tinkamai atsidarytų.



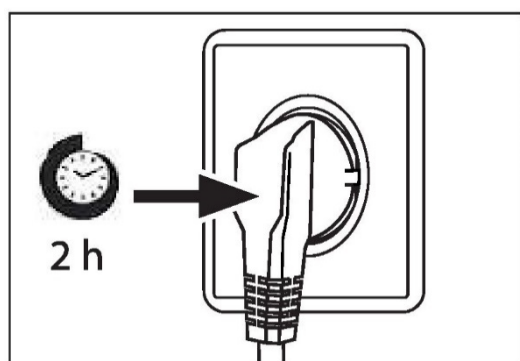


- 3.
1. Stabilumą galima patikrinti pakaitomis patrankant įstrižaines dalis. Nežymus susvyravimas turi būti vienodas abiejose pusėse. Priešingu atveju rėmas gali deformuotis: dėl to durų sandarikliai gali tapti nesandarūs. Nedidelis pasvyrimas atgal palengvina durų uždarymą.



PASTABA

Laisvai pastatomam prietaisui: šis šaldytuvas nėra pritaikytas įmontuoti.



Laukimo laikas

Kompresoriaus kapsulėje yra priežiūros nereikalaujančios tepalinės alyvos. Transportuojant prietaisą nuožulniai, ši alyva gali pratekėti per uždarą vamzdžių sistemą. Prieš prijungdami prietaisą prie maitinimo šaltinio, palaukite 2 valandas, kol alyva sutekės atgal į kapsulę.

Elektros jungtis

Prieš kiekvieną prijungimą patikrinkite, ar:

- ▶ maitinimo šaltinis, lizdas ir saugiklis yra tinkami pagal techninių duomenų lentelę;
- ▶ maitinimo lizdas yra įžemintas ir nenaudojami kelių kištukų įtaisai ar ilgintuvai;
- ▶ maitinimo kištukas ir lizdas tiksliai sutampa.

Prijunkite kištuką prie tinkamai įrengto buitinio lizdo.



ĮSPĖJIMAS!

Siekiant išvengti rizikos, pažeistą maitinimo laidą turi pakeisti klientų aptarnavimo skyrius (žr. garantinę kortelę).

Durų apsuikimas

Prieš prijungdami prietaisą prie maitinimo šaltinio turėtumėte patikrinti, ar durų atidarymas turi pasikeisti iš dešinės (kaip pristatyta) į kairę, jei to reikalauja montavimo vieta ir patogumas.



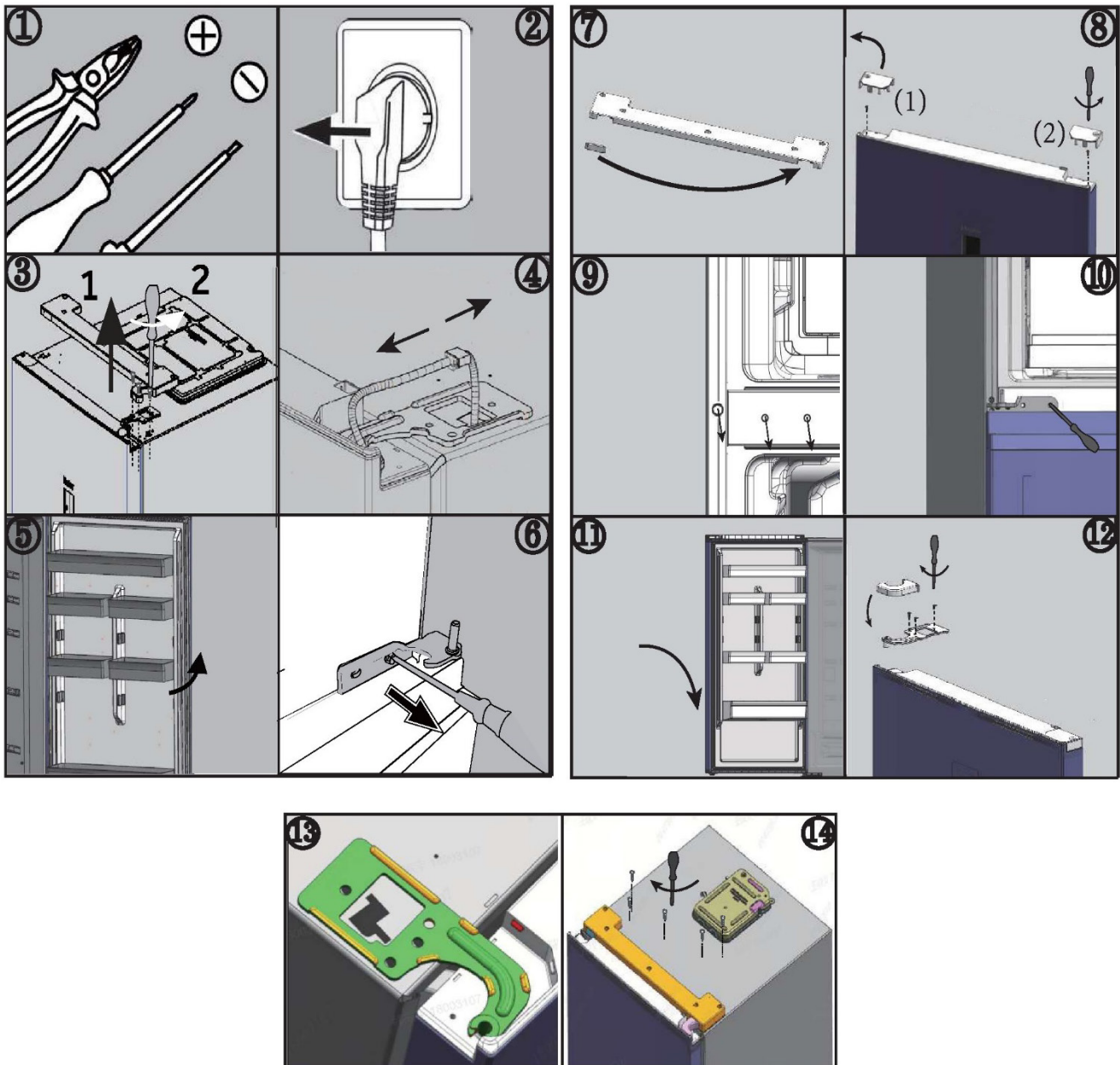
ĮSPĖJIMAS!

- ▶ Prietaisas yra sunkus. Durims apsuikti prireiks dviejų asmenų.
- ▶ Prieš atlikdami bet kokius veiksmus, pirmiausia atjunkite prietaisą nuo elektros tinklo.
- ▶ Nepakreipkite prietaiso daugiau nei 45° kampu, kad nepažeistumėte aušinimo sistemos.

Surinkimo veiksmai

1. Pasirūpinkite reikiama is įrankiais.
2. Atjunkite prietaisą.
3. Nuimkite viršutinio vyro dangtį 1 ir atsukite viršutinį vyrį (tris varžtus) dešinėje pusėje 2.
4. Atsargiai nukelkite atlaisvintas šaldytuvo duris nuo vidurinio vyro.
5. Nuimkite vidurinį vyrį.
6. Nuimkite mažą priekinio skydelio dangtį iš kairės į dešinę.
7. Apverskite duris aukštyn kojomis ir atsukite dangtį (1). Išimkite naują dangtį (2) iš reikmenų maišelio ir prisukite priešingoje pusėje.
8. Pakeiskite uždengimo kaiščius ir varžto padėtis prietaiso šone.
9. Vidurinį vyrį prisukite kairėje prietaiso pusėje. Atkreipkite dėmesį į tai, kad vidurinio vyro strypas būtų apverstas, užtikrinant, kad pusė su tarpikliu būtų nukreipta į viršų.
10. Atsargiai užkelkite viršutines duris ant vidurinio vyro. Įsitinkite, kad ašis telpa į apatinių durų vyrų cilindrą.
11. Išimkite naują viršutinį vyrį ir vyro dangtį iš priedų maišelio. Pritvirtinkite viršutinį vyrį trimis varžtais kairėje prietaiso pusėje. Uždėkite vyro dangtį ant vyro.
12. Uždėkite priekinį skydelį ir pritvirtinkite penkiais varžtais.

Pakeitę duris patikrinkite, ar durų sandarikliai tinkamai uždėti ant korpuso ir ar visi varžtai gerai priveržti.



Aplinkos temperatūra

Išplėstinė vidutinių platumų: šis prietaisas skirtas naudoti aplinkos temperatūroje nuo 10 °C iki 32 °C

Vidutinių platumų: šis prietaisas skirtas naudoti aplinkos temperatūroje nuo 16 °C iki 32 °C

Subtropinė: šis prietaisas skirtas naudoti aplinkos temperatūroje nuo 16 °C iki 38 °C

Tropinė: šis prietaisas skirtas naudoti aplinkos temperatūroje nuo 16 °C iki 43 °C

Gaminio parametrai pagal reglamentą (ES) 2019/2016

Remiantis standartiniais 24 valandų bandymų rezultatais. Faktinis energijos suvartojimas priklausys nuo to, kaip prietaisas naudojamas ir kur jis yra.

Modelis	CNCQ4T620EW CNCQ4T620EX CNCQ4T620EB	CNCQ4T620DX CNCQ4T620DW	CNCQ4T620CX
Šaldymo prietaiso tipas	Šaldytuvas-šaldiklis	Šaldytuvas-šaldiklis	Šaldytuvas-šaldiklis
Energijos efektyvumo klasė	E	D	C
Metinis energijos suvartojimas (kWh per metus)	279	223	178
Šaldytuvo skyriaus tūris (l)	289	289	289
Šaldiklio skyriaus tūris (l)	120	120	120
Šaldymo klasė	4 žvaigždučių	4 žvaigždučių	4 žvaigždučių
Atitirpinimo tipas	Automatinis atitirpinimas	Automatinis atitirpinimas	Automatinis atitirpinimas
Temperatūros kilimo laikas (val.)	11	11	13
Šaldymo pajėgumas (kg/24 val.)	10	10	10
Klimato klasė	SN.N.ST	SN, N, ST, T	SN, N, ST, T



Modelis	CNCQ4T618DX	CNCQ4T618EW CNCQ4T618EX CNCQ4T618EB
Šaldymo prietaiso tipas	Šaldytuvas-šaldiklis	Šaldytuvas-šaldiklis
Energijos efektyvumo klasė	D	E
Metinis energijos suvartojimas (kWh per metus)	216	270
Šaldytuvo skyriaus tūris (l)	235	235
Šaldiklio skyriaus tūris (l)	120	120
Šaldymo klasė	4 žvaigždučių	4 žvaigždučių
Atitirpinimo tipas	Automatinis atitirpinimas	Automatinis atitirpinimas
Temperatūros kilimo laikas (val.)	11	11
Šaldymo pajėgumas (kg/24 val.)	10	10
Klimato klasė	SN.N.STT	SN.N.ST

Paaiškinimai:

- Taip, ši funkcija yra
- (1) Remiantis atitiktis standartams 24 valandų bandymo rezultatais. Faktinės sąnaudos priklauso nuo prietaiso naudojimo ir vietos.
 - (2) Klimato klasė SN: šis prietaisas skirtas naudoti aplinkos temperatūrai esant nuo +10 °C iki +32 °C.
Klimato klasė N: šis prietaisas skirtas naudoti aplinkos temperatūrai esant nuo +16 °C iki +32 °C.
Klimato klasė ST: šis prietaisas skirtas naudoti aplinkos temperatūrai esant nuo +16 °C iki +38 °C.
Klimato klasė T: šis prietaisas skirtas naudoti aplinkos temperatūrai esant nuo +16 °C iki +43 °C.

Papildomi techniniai duomenys

Modelis	CNCQ4T620EW CNCQ4T620EX CNCQ4T620EB	CNCQ4T620DX CNCQ4T620DW	CNCQ4T618EW CNCQ4T618EX CNCQ4T618EB
Bendras tūris (l)	409	409	355
Įtampa / dažnis	220–240 V / 50 Hz	220–240 V / 50 Hz	220–240 V / 50 Hz
Vardinė srovė (A)	0,9	1,4	0,9
Pagrindinis saugiklis (A)	15	15	15
Šaldalas	R600a(53g)	R600a(53g)	R600a(53g)
Matmenys (P/G/A milimetrais)	595*667*2050	595*667*2050	595*667*1850

Modelis	CNCQ4T620CX	CNCQ4T618DX
Bendras tūris (l)	409	355
Įtampa / dažnis	220–240 V / 50 Hz	220–240 V / 50 Hz
Vardinė srovė (A)	1,4	1,4
Pagrindinis saugiklis (A)	15	15
Šaldalas	R600a(50g)	R600a(53g)
Matmenys (P/G/A milimetrais)	595*667*2050	595*667*1850



Rekomenduojame naudotis „Haier“ klientų aptarnavimo paslaugomis ir naudoti originalias atsargines dalis.

Jei kilo problemų su prietaisu, pirmiausia peržiūrėkite skyrių TRIKČIŲ ŠALINIMAS.

Jei nerandate sprendimo, kreipkitės į

- ▶ vietos prekybos atstovą arba
- ▶ mūsų Europos skambučių aptarnavimo centre (žr. toliau išvardytus telefono numerius) arba
- ▶ apsilankykite techninės priežiūros ir pagalbos skyriuje adresu www.haier.com, kur galėsite aktyvuoti techninės priežiūros paraišką
- ▶ ir rasti DUK.

Norėdami susisiekti su mūsų techninės priežiūros skyriumi, įsitikinkite, kad turite toliau nurodytus duomenis.

Informaciją galima rasti techninių duomenų lentelėje.

Modelis _____

Serijos nr. _____

Garantijos klausimais taip pat peržiūrėkite su gaminiu pateiktą garantijos kortelę.

Europos skambučių aptarnavimo centras		
Šalis*	Telefono numeris	Kainos
Haier Italy (IT)	199 100 912	
Haier Spain (ES)	902 509 123	
Haier Germany (DE)	0180 5 39 39 99	<ul style="list-style-type: none"> • 14 ct/min. fiksuotojo ryšio numeris • Maks. 42 ct/min. mobiliojo ryšio numeris
Haier Austria (AT)	0820 001205	<ul style="list-style-type: none"> • 14,53 ct/min. fiksuotojo ryšio numeris • Maks. 20 ct/min. visi kiti
Haier United Kingdom (UK)	0333 003 8122	
Haier France (FR)	0980 406 409	



* Kitų šalių informacijos pateikta svetainėje adresu www.haier.com

Haier Europe Trading S.r.l

Filialas Jungtinėje Karalystėje

Westgate House, Westgate, Ealing

London, W5 1YY

* Šaldymo įrenginio garantijos galiojimo laikas:

Minimali garantijos trukmė yra: 2 metai ES šalyse, 3 metai Turkijoje, 1 metai JK, 1 metai Rusijoje, 3 metai Švedijoje, 2 metai Serbijoje, 5 metai Norvegijoje, 1 metai Maroke, 6 mėnesiai Alžyre, Tunise teisinės garantijos nereikia.

* Prietaiso remonto atsarginių dalių laikotarpis:

Termostatus, temperatūros jutiklius, spausdintines plokštes ir šviesos šaltinius galima įsigyti ne trumpiau kaip septynerius metus nuo paskutinio modelio įrenginio pateikimo į rinką.

Durų rankenos, durų vyriai, padėklai ir krepšiai – ne trumpiau kaip septynerius metus, o durų tarpikliai – ne trumpiau kaip 10 metų nuo paskutinio modelio įrenginio pateikimo į rinką.

* Norėdami gauti daugiau informacijos apie gaminį, apsilankykite

<https://eprel.ec.europa.eu/> arba nuskaitykite QR, esantį su prietaisu pateiktoje energijos efektyvumo etiketėje.

<u>5 Drošības informācija</u>	<u>Pirms pirmās lietošanas reizes</u>	6
	<u>Uzstādīšana</u>	6
	<u>Ikdienas lietošana</u>	7
<u>10 Paredzētais lietojums</u>		
<u>11 Produkta apraksts</u>		
<u>13 Vadības panelis</u>		
<u>14 Lietošana</u>	<u>Ledusskapja temperatūras regulēšana</u>	15
	<u>Saldētavas temperatūras regulēšana</u>	15
	<u>Funkcija "Super Freeze"</u>	15
	<u>Funkcija "Super Cool"</u>	16
	<u>Fresh 0°C funkcija</u>	15
<u>20 Aprīkojums</u>		
<u>22 Enerģijas taupīšanas padomi</u>		
<u>23 Kopšana un tīrīšana</u>		
<u>25 Problēmu novēršana</u>		
<u>29 Uzstādīšana</u>		
<u>33 Tehniskie dati</u>		
<u>36 Klientu apkalpošana</u>		



Lūdzu, noklikšķiniet uz satura, lai skatītu detalizētu informāciju.

Paldies, ka iegādājāties Candy produktu.

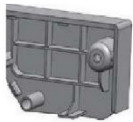
Pirms šīs ierīces lietošanas, lūdzu, uzmanīgi izlasiet šos norādījumus. Norādījumi satur svarīgu informāciju, kas jums palīdzēs ierīci izmantot visefektīvākajā veidā un garantēs drošu un pareizu uzstādīšanu, lietošanu un apkopi.

Glabājiet šo rokasgrāmatu ērti pieejamā vietā, lai jūs vienmēr varētu to izmantot kā atsauci drošai un pareizai ierīces lietošanai.

Ja ierīci pārdodat, atdodat vai atstājat iepriekšējā dzīvesvietā, neaizmirstiet jaunajam īpašniekam nodot arī šo rokasgrāmatu, lai viņš varētu iepazīties ar ierīci un izlasīt drošības brīdinājumus.

Piederumi

Pārbaudiet piederumus un dokumentāciju saskaņā ar šo sarakstu:



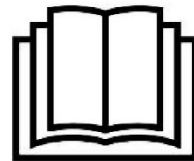
Vāciņa ieliktnis



Energoefektivitātes uzlīme



Garantijas karte



Īsa pamācība



Durvju eņģes



Eņģes pārsegs



BRĪDINĀJUMS — svarīga drošības informācija



PAZIŅOJUMS — vispārīga informācija un padomi



Vides informācija



Utilizācija

Palīdziet aizsargāt vidi un cilvēku veselību. Ievietojiet iepakojumu atbilstošajos konteineros, lai nodrošinātu tā pārstrādi. Palīdziet pārstrādāt elektrisko un elektronisko ierīču atkritumus. Neizmetiet ar šo simbolu apzīmētās ierīces kopā ar sadzīves atkritumiem. Nododiet produktu atpakaļ vietējā pārstrādes uzņēmumā vai sazinieties ar pašvaldības biroju.



BRĪDINĀJUMS!

Traumu vai nosmakšanas risks!

Aukstumaģentu un gāzu utilizācija ir jāveic profesionāļiem. Pārlicinieties, vai aukstumaģenta kontūra caurules nav bojātas, pirms tās tiek pareizi utilizētas. Atvienojiet ierīci no elektrotīkla. Atvienojiet elektrotīkla kabeli un atbrīvojieties no tā. Izņemiet paplātes un atvilktnes, kā arī durvju aizbīdņi un blīves, lai nepieļautu bērnu un mājdzīvnieku ieslēgšanu ierīcē.

Pirms ierīci ieslēdzat pirmoreiz, izlasiet šos drošības norādījumus!



BRĪDINĀJUMS!

Pirms pirmās lietošanas reizes

- ▶ Pārliedzieties, vai nav nekādu bojājumu, kas radušies transportēšanas laikā.
- ▶ Noņemiet visu iepakojumu un nolieciet to bērniem nepieejamā vietā.
- ▶ Pirms ierīces uzstādīšanas nogaidiet vismaz divas stundas, lai aukstumaģenta kontūrs būtu pilnībā efektīvs.
- ▶ Ierīce jānes un jāpārvieta vismaz diviem cilvēkiem, jo tā ir smaga.

Uzstādīšana

- ▶ Ierīce jānovieto labi vēdināmā vietā. Virs ierīces un ap to ir jābūt vismaz 10 cm atstarpei.
- ▶ Nekādā gadījumā nenovietojiet ierīci mitrā vietā vai vietā, kur to varētu apšļakstīt ūdens. Ūdens šļakatas noslaukiet un traipus notīriet ar mīkstu, tīru drānu.
- ▶ Neuzstādiet ierīci tiešā saules gaismā vai siltuma avotu (piemēram, krāsns, sildītāja) tuvumā.
- ▶ Uzstādiet un nolīmeņojiet ierīci tās izmēram un lietošanas mērķim piemērotā vietā.
- ▶ Ventilācijas atveres ierīces korpusā vai iebūvētajā konstrukcijā nedrīkst būt aizsprostotas.
- ▶ Pārliedzieties, vai informācija par elektrību uz datu plāksnītes atbilst barošanas avotam. Ja tā neatbilst, sazinieties ar elektrotehniķi.
- ▶ Ierīces barošanu nodrošina 220–240 V maiņstrāva ar 50 Hz frekvenci. Anormālu sprieguma svārstību gadījumā ierīce var neieslēgties, var tikt radīti temperatūras regulatora vai kompresora bojājumi vai ierīces darbības laikā var būt dzirdami neparasti trokšņi. Šādā gadījumā ir jāuzstāda automātiskais regulators.
- ▶ Neizmantojiet vairāku kontaktdakšu adapterus un pagarinātājkabeļus.
- ▶ Ierīces aizmugurē nenovietojiet vairākas pārnēsājamās kontaktligzdas vai pārnēsājamās barošanas blokus.
- ▶ Pārliedzieties, ka ledusskapis nav nosprostojis barošanas kabeli. Nekāpiet uz barošanas kabeļa.



BRĪDINĀJUMS!

- ▶ Barošanai izmantojiet atsevišķu zemētu kontaktligzdu, kas ir viegli pieejama. Ierīcei jābūt sazemētai.
Tikai Apvienotajai Karalistei: ierīces barošanas kabelis ir aprīkots ar 3 vadu (zemējuma) kontaktdakšu, kas atbilst standarta 3 vadu (zemētai) kontaktligzdai. Nekad neatvienojiet un nenoņemiet trešo tapiņu (zemējumu). Pēc ierīces uzstādīšanas kontaktdakšai ir jābūt pieejamai.
- ▶ Nesabojājiet aukstumagēnta kontūru.

Ikdienas lietošana

- ▶ Šo ierīci drīkst lietot personas no 8 gadu vecuma un personas ar ierobežotām fiziskām, sensorām vai garīgām spējām vai bez pieredzes un zināšanām, ja vien tās tiek uzraudzītas vai tām ir sniegti norādījumi par ierīces lietošanu drošā veidā un tās saprot ar to saistītos riskus.
- ▶ Bērni vecumā no 3 līdz 8 gadiem drīkst ledusskapī ievietot un no tā izņemt produktus, bet nedrīkst ierīci tīrīt un uzstādīt.
- ▶ Bērni, kas jaunāki par 3 gadiem, ierīci drīkst izmantot tikai pastāvīgā pieaugušo uzraudzībā.
- ▶ Bērni nedrīkst spēlēt ar ierīci.
- ▶ Ja ierīces tuvumā ir notikusi deggāzes vai citas viegli uzliesmojošas gāzes noplūde, aizgrieziet izplūstošās gāzes vārstu, atveriet durvis un logus un neatvienojiet no elektrotīkla ledusskapja vai jebkuras citas ierīces barošanas kabeli.
- ▶ Ņemiet vērā, ka ierīce, piemēram, CNCQ4T620EX, CNCQ4T620EW, CNCQ4T618EX, CNCQ4T618EW, CNCQ4T618EB, ir iestatīta darbam noteiktā apkārtējās vides diapazonā no 10 °C līdz 38 °C. Ierīce var nedarboties pareizi, ja tā tiek ilgstoši atstāta temperatūrā, kas pārsniedz norādīto diapazonu vai ir zemāka par to.
- ▶ Ņemiet vērā, ka ierīce, piemēram, CNCQ4T620DX, CNCQ4T620DW, CNCQ4T620CX, ir iestatīta darbam noteiktā apkārtējās vides temperatūrā no 10 °C līdz 43 °C. Ierīce var nedarboties pareizi, ja tā tiek ilgstoši atstāta temperatūrā, kas pārsniedz norādīto diapazonu vai ir zemāka par to.
- ▶ Nenovietojiet nestabilus priekšmetus (smagus priekšmetus, ar ūdeni piepildītus traukus) uz ledusskapja virsmas, lai izvairītos no traumām, ko var izraisīt priekšmetu nokrišana, vai elektriskās strāvas trieciena, saskaroties ar ūdeni.
- ▶ Nevelciet aiz durvju plauktiem. Durvis var sašķiebties, pudeļu statīvs var izkrist, vai ierīce var apgāzties.



BRĪDINĀJUMS!

- ▶ Neuzglabājiet un nelietojiet uzliesmojošus, sprādzienbīstamus vai kodīgus materiālus ierīcē vai tās tuvumā.
- ▶ Ierīcē neglabājiet zāles, baktērijas vai ķīmiskos līdzekļus. Šī ir mājsaimniecības ierīce. Nav ieteicams tajā uzglabāt materiālus, kuriem nepieciešama stingri noteikta temperatūra.
- ▶ Saldētavā nekad neglabājiet pudelēs vai bundžās pildītus šķidrumus (izņemot alkoholiskos dzērienus ar augstu spirta saturu) un jo īpaši gāzētos dzērienus, jo, šķidrumam sasilstot, šie trauki plīsīs.
- ▶ Ja saldētavā ir notikusi temperatūras paaugstināšanās, pārbaudiet pārtikas produktu stāvokli.
- ▶ Neiestatiet nevajadzīgi zemu temperatūru ledusskapja nodalījumā. Augstākajos plauktos temperatūra var būt zem nulles. Uzmanību! Pudeles var plīst.
- ▶ Nepieskarieties saldētiem produktiem ar mitrām rokām (valkājiet cimdus). Jo īpaši neēdiet sulas saldējumu tūlīt pēc tā izņemšanas no saldētavas. Pastāv piesalšanas vai čulgu veidošanās risks. PIRMĀ palīdzība: nekavējoties turiet skarto vietu zem tekoša auksta ūdens. Neraujiet piesalušo priekšmetu nost!
- ▶ Nepieskarieties ieslēgtas saldētavas iekšējai virsmai, jo īpaši ar mitrām rokām, jo rokas var piesalt pie virsmas.
- ▶ Strāvas padeves pārtraukuma gadījumā vai pirms tīrīšanas atvienojiet ierīci no elektrotīkla. Pirms ierīces atkārtotas ieslēgšanas nogaidiet vismaz 7 minūtes, jo bieža iedarbināšana var sabojāt kompresoru.
- ▶ Pārtikas uzglabāšanas nodalījumos neizmantojiet nekādas elektroierīces, izņemot tās, kuras ieteicis ražotājs.
Apkope/tīrīšana
- ▶ Ja tīrīšanu un apkopi veic bērni, pārliedcinieties, vai viņi tiek uzraudzīti.
- ▶ Pirms kārtējās apkopes veikšanas atvienojiet ierīci no elektrotīkla. Pirms ierīces atkārtotas ieslēgšanas nogaidiet vismaz 5 minūtes, jo bieža iedarbināšana var sabojāt kompresoru.
- ▶ Novietojot ierīci, pārliedcinieties, vai barošanas vads nav iesprostots vai bojāts.
- ▶ Ierīces aizmugurē nenovietojiet vairākas pārnēsājamās kontaktligzdas vai pārnēsājamās barošanas blokus.
- ▶ Ierīces pārtikas uzglabāšanas nodalījumos neizmantojiet nekādas elektroierīces, izņemot tās, kuras ieteicis ražotājs.
- ▶ Neglabājiet šajā ierīcē sprādzienbīstamas vielas, piemēram, aerosola baloniņus ar uzliesmojošu propelentu.



BRĪDINĀJUMS!

- ▶ Atvienojot ierīci, velciet aiz kontaktdakšas, nevis kabeļa.
- ▶ Netīriet ierīci ar cietām sukām, stieņu sukām, mazgāšanas pulveri, benzīnu, amilacetātu, acetonu un līdzīgiem organiskiem šķīdumiem, skābes vai sārma šķīdumiem. Tīriet ar īpašu ledusskapja mazgāšanas līdzekli, lai izvairītos no bojājumiem.
- ▶ Neskrāpējiet sarmu un ledu ar asiem priekšmetiem. Neizmantojiet aerosolus, elektriskās sildierīces, piemēram, sildītāju, matu žāvētāju, tvaika tīrītāju vai citus siltuma avotus, lai izvairītos no plastmasas detaļu sabojāšanas.
- ▶ Neizmantojiet nekādas mehāniskas ierīces vai citus atkausēšanas procesa paātrināšanas līdzekļus, izņemot tos, kurus ieteicis ražotājs.
- ▶ Ja barošanas vads ir bojāts, tas jānomaina ražotājam, tā klientu apkalpošanas dienesta pārstāvim vai līdzīgi kvalificētai personai, lai izvairītos no riska.
- ▶ Nemēģiniet patstāvīgi labot, izjaukt vai pārveidot ierīci. Lai veiktu remontu, sazinieties ar mūsu klientu apkalpošanas dienestu.
- ▶ Vismaz reizi gadā notīriet putekļus no iekārtas aizmugures, lai izvairītos no ugunsbīstamības, kā arī lielāka enerģijas patēriņa.
- ▶ Tīrīšanas laikā ierīci nedrīkst apsmidzināt vai skalot.
- ▶ Ierīces tīrīšanai neizmantojiet ūdens strūklu vai tvaiku.
- ▶ Nemazgājiet aukstus stikla plauktus karstā ūdenī. Krasas temperatūras izmaiņas var izraisīt stikla saplīšanu.

Informācija par aukstumaģenta gāzi



BRĪDINĀJUMS!

Ierīce satur uzliesmojošu aukstumaģentu IZOBUTĀNU (R600a). Pārlicinieties, vai aukstumaģenta kontūrs transportēšanas vai uzstādīšanas laikā nav bojāts. Aukstumaģenta noplūde var izraisīt aizdegšanos vai acu ievainojumus. Ja ir radies bojājums, turiet ierīci drošā attālumā no atklātiem uguns avotiem, kārtīgi izvēdiniet telpu, nepievienojiet elektrotīklam vai neatvienojiet no tā ierīces vai jebkuras citas ierīces strāvas vadus. Informējiet klientu apkalpošanas dienestu.

Ja aukstumaģents ir iekļuvis acīs, tās nekavējoties izskalojiet zem tekoša ūdens un sazinieties ar oftalmologu.

Šī ierīce ir paredzēta pārtikas dzesēšanai un sasaldēšanai. Tā ir paredzēta tikai mājsaimniecībām un līdzīgam pielietojumam, piemēram, darbinieku virtuves zonām veikalos, birojos un citās darba vidēs; lauku mājām un klientiem viesnīcās, moteļos un cita veida dzīvojamās vidēs, kā arī naktsmītņu un ēdināšanas biznesā. Tā nav paredzēta komerciālai vai rūpnieciskai lietošanai.

Nav atļauts veikt ierīces izmaiņas vai modifikācijas. Neatbilstoša lietošana var radīt apdraudējumu un anulēt garantiju.

Standarti un direktīvas

Šis produkts atbilst visu piemērojamo EK direktīvu prasībām ar atbilstošiem saskaņotajiem standartiem, kas paredz CE marķējumu.

PROCEDŪRA SAVIENOŠANAI PĀRĪ LIETOTNĒ

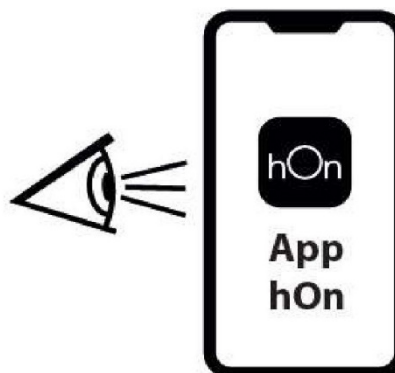
1. darbība • Lejupielādējiet hOn lietotni no veikaliem



2. darbība • Izveidojiet kontu hOn lietotnē vai piesakieties, ja jums jau ir konts



3. darbība • Izpildiet savienošanas pārī norādījumus hOn lietotnē

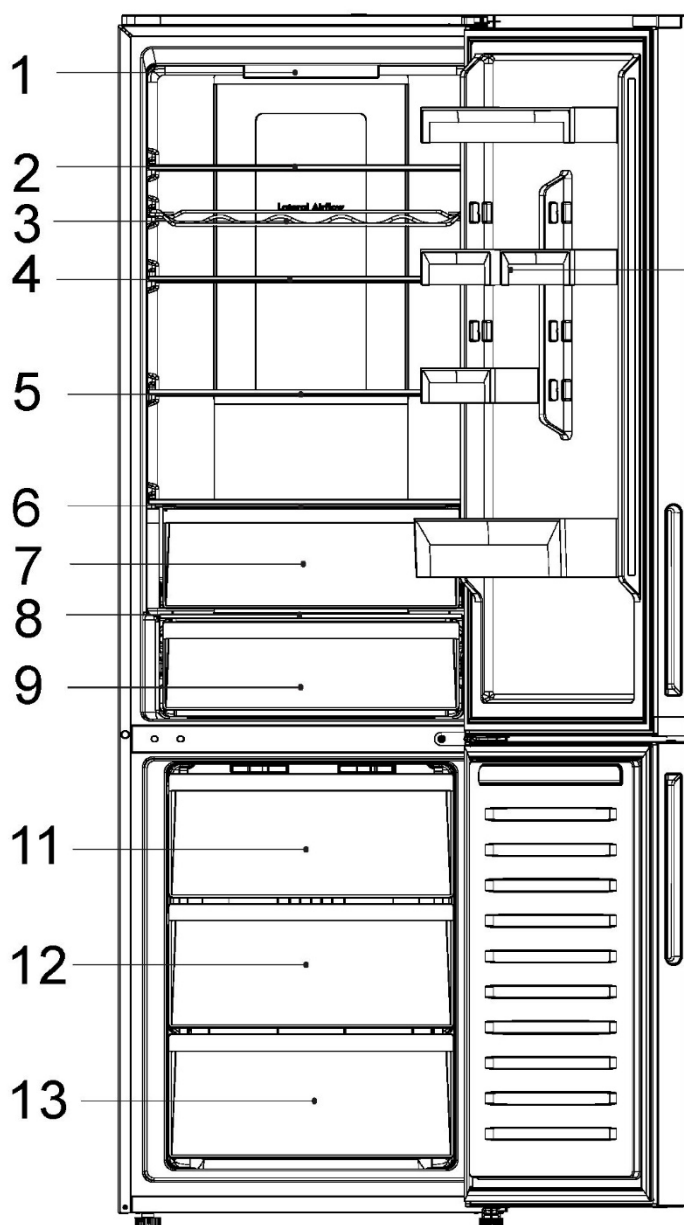


Radio modulis — tehniskie dati

Frekvence (OFR)	2400–2843,5 MHz
Kanāla frekvences	2412...2472 MHz (soļa lielums: 5 MHz)
Maksimālā jauda (EIRP)	100 mW

i PAZIŅOJUMS

Tehnisku izmaiņu un dažādu modeļu dēļ dažas no ilustrācijām šajā rokasgrāmatā var atšķirties no jūsu modeļa.



CNCQ4T620EX
 CNCQ4T620EB
 CNCQ4T620DX
 CNCQ4T620EW
 CNCQ4T620DW
 CNCQ4T620CX

10

A: Ledusskapja nodalījums

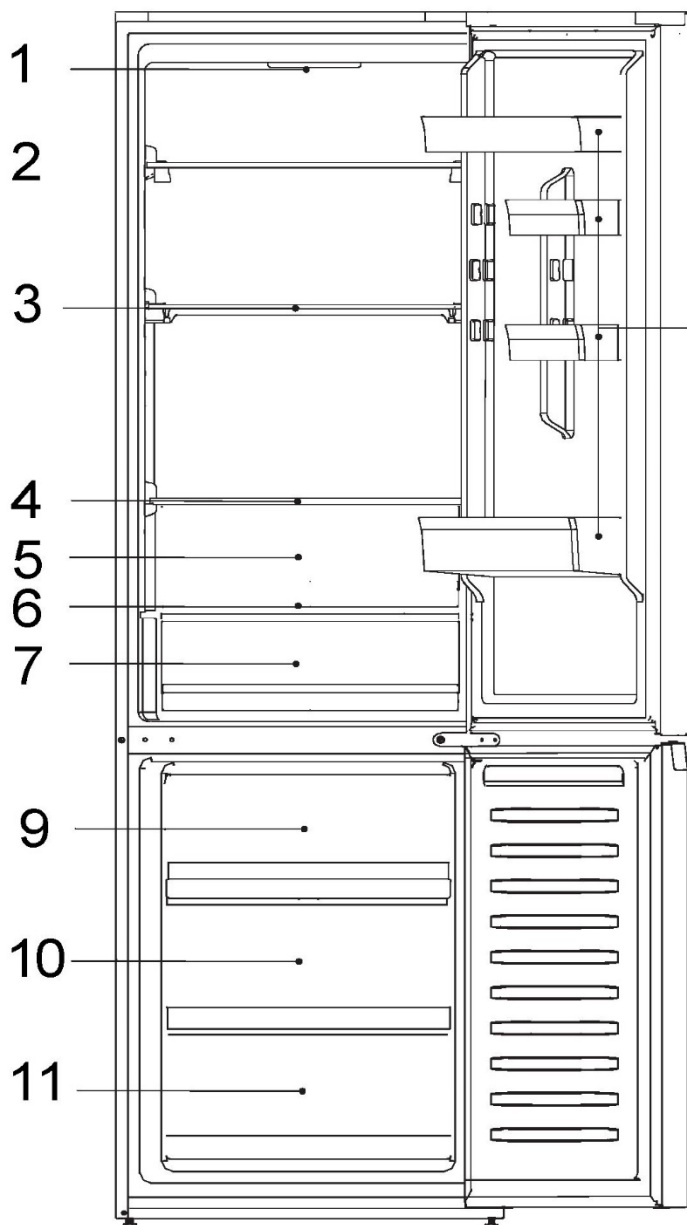
- 1- Vadības panelis
- 2- Stikla plaukts
- 3- Vīna statīvs
- 4- Stikla plaukts
- 5- Stikla plaukts
- 6- Atvilktnes vāks
- 7- Mitruma zonas atvilktnes
- 8- Atvilktnes vāks
- 9- Fresh 0°C atvilktnes
- 10- Durvju plaukts

B: Saldētavas nodalījums

- 11- Saldētavas augšējā glabāšanas atvilktnes
- 12- Saldētavas vidējā glabāšanas atvilktnes
- 13- Saldētavas apakšējā glabāšanas atvilktnes

i PAZIŅOJUMS

Tehnisku izmaiņu un dažādu modeļu dēļ dažas no ilustrācijām šajā rokasgrāmatā var atšķirties no jūsu modeļa.



CNCQ4T618DW
CNCQ4T618CX
CNCQ4T618EX
CNCQ4T618EB
CNCQ4T618EW

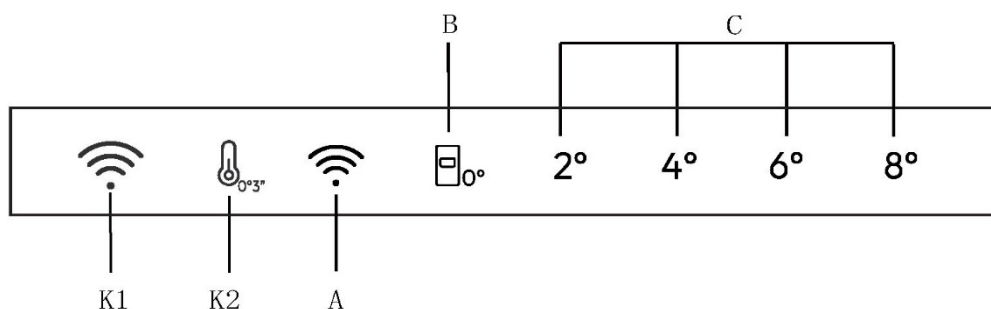
A: Ledusskapja nodalījums

- 8
- 1- Vadības panelis
 - 2- Stikla plaukts
 - 3- Stikla plaukts
 - 4- Stikla plaukts
 - 5- Atvilktnē "Humidity Zone"
 - 6- Atvilktnes vāks
 - 7- Fresh 0°C atvilktnē
 - 8- Durvju plaukts

B: Saldētavas nodalījums

- 9- Saldētavas augšējā glabāšanas atvilktnē
- 10- Saldētavas vidējā glabāšanas atvilktnē
- 11- Saldētavas apakšējā glabāšanas atvilktnē

Vadības panelis



Pogas

- K1 Wi-Fi funkcijas ieslēgšana/izslēgšana.
- K2 Temperatūras izvēles ieslēgšanas/izslēgšanas taustiņš, ko izmanto, lai ieslēgtu/izslēgtu Fresh 0°C indikatorus
- A Wi-Fi displejs.

Indikatori

- B Fresh 0°C funkcija
- C Ledusskapja temperatūras displejs

Pirms pirmās lietošanas reizes

- ▶ Noņemiet visus iepakojuma materiālus, glabājiet tos bērniem nepieejamā vietā un utilizējiet videi draudzīgā veidā.
- ▶ Notīriet ierīces iekšpusi un ārpusi, kā arī iekšpusi un piederumus, izmantojot ūdeni un maigu mazgāšanas līdzekli, kā arī kārtīgi nosusiniet ar mīkstu drānu.
- ▶ Kad ierīce ir nolīmeņota un notīrīta, lūdzu, pagaidiet vismaz 2 stundas pirms tās pieslēgšanas strāvas avotam. Skatiet sadaļu UZSTĀDĪŠANA.
- ▶ Pirms pārtikas ievietošanas atdzesējiet nodalījumus, izmantojot augstus iestatījumus.

Mehāniskās pogas

Vadības paneļa pogas ir mehāniskas.

Ierīces ieslēgšana/izslēgšana

Ierīce sāk darboties, tiklīdz tā ir pievienota barošanas avotam.

Pirmoreiz ieslēdzot ledusskapi, iedegas "B" indikators "4°" (ledusskapja temperatūras displejs) un 0 °C glabāšanas atvilktnes indikators "0°".

Ledusskapja un saldētavas temperatūra tiek automātiski iestatīta attiecīgi uz 4 °C un -20 °C, proti, tiek izmantota 0°C glabāšanas atvilktnē.



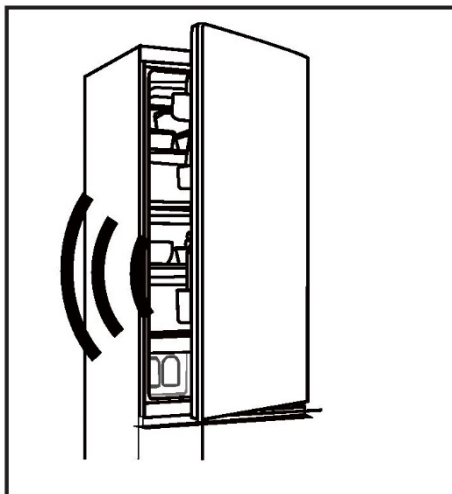
PAZIŅOJUMS

Ierīcei ir iepriekš iestatīta ieteicamā 4 °C temperatūra. Šie ir ieteicamie iestatījumi. Ja vēlaties, varat manuāli mainīt šīs temperatūras.

Durvju atvēršanas brīdinājuma signāls

Ja ledusskapja durvis ir atvērtas ilgāk par 3 minūtēm, atskan durvju atvēršanas trauksmes signāls.

Šo signālu var apklusināt, aizverot durvis. Ja durvis ir atvērtas ilgāk par 7 minūtēm, ledusskapja un vadības paneļa apgaismojums automātiski izslēdzas.



Ieslēgšana/izslēgšana

Kad ierīce ir ieslēgta, nospiediet pogu K1 uz 3 sekundēm, tad ierīce pāriet gaidstāves režīmā, kompresors pārstāj darboties un nodziest lampiņa; kad ierīce ir gaidstāves režīmā, nospiediet pogu K1 uz 3 sekundēm, tad ierīce tiek ieslēgta, darbojas kompresors un iedegas lampiņa.

Temperatūras regulēšana

Iekštelpu temperatūru ietekmē šādi faktori:

apkārtējās vides temperatūra;

durvju atvēršanas biežums;
uzglabāto pārtikas produktu apjoms;
ierīces uzstādīšana.

Noregulējiet ledusskapja/saldētavas nodalījuma temperatūru

1. Nospiediet taustiņu "K2" (Ledusskapja temperatūras izvēle), lai atlasītu ledusskapja temperatūru;
2. Indikators "B" (ledusskapja temperatūras displejā) pārmaiņus ir gaišs, kā norādīts tālāk;
 $2^{\circ} \rightarrow 4^{\circ} \rightarrow 6^{\circ} \rightarrow 8^{\circ}$
3. Vadības panelī izvēloties ledusskapja temperatūru, atbilstīgā temperatūra saldētavai ir $2^{\circ} (-22^{\circ}) \rightarrow 4^{\circ} (-20^{\circ}) \rightarrow 6^{\circ} (-18^{\circ}) \rightarrow 8^{\circ} (-16^{\circ})$.

Fresh 0 °C funkcija

Lai pārietu uz režīmu "0°", kad ledusskapja durvis ir atvērtas, nospiediet K2 uz 3 sekundēm ar skaņas signālu: izgaismojas indikators "0°", un Fresh 0°C temperatūra ir tuvu 0 °C.

Lai izietu no "0°" režīma, kad ledusskapja durvis ir atvērtas, nospiediet K2 uz 3 sekundēm ar skaņas signālu: indikators "0°" nodziest, un "0°" atvilktnes temperatūra mainās līdz ar atdzišanas temperatūru.

Ierīces regulēšana

Pēc ledusskapja Wi-Fi sekmīgas savienošanas varat noregulēt ierīci, izmantojot lietotni; pēc noregulēšanas indikatori C displejā nodziest. Ik reizi pēc ierīces sekmīgas noregulēšanas vienreiz iemirgojas durvju gaismiņa.

Ledusskapja regulējamais diapazons ir 2°, 3°, 4°, 5°, 6°, 7°, 8°;

saldētavas regulējamais diapazons ir -24°, -23°, -22°, -21°, -20°, -19°, -18°, -17°, -16°.

Fresh 0°C funkciju var atvērt vai aizvērt.

Funkcija "Super Freeze"

1. Svaiga pārtika ir pilnībā jāsasaldē pēc iespējas ātrāk, jo tā var saglabāt vislabāko uzturvērtību, izskatu un garšu. Funkcija Super Freeze paātrina svaigas pārtikas sasaldēšanu un pasargā jau glabātos produktus no nevēlamas sasilšanas. Ja nepieciešams vienlaicīgi sasaldēt lielu daudzumu pārtikas, funkciju "Super Freeze" ieteicams ieslēgt 24 stundas pirms saldēšanas nodalījuma izmantošanas.
2. Funkciju Super Freeze var atvērt, izmantojot lietotni, un šajā laikā displejs



PAZIŅOJUMS

1. Ierīce izslēdz funkciju Super Freeze, kad tā ir bijusi ieslēgta 50 stundas, kad tiek nospiests "K2" vai tā tiek izslēgta no lietotnes.
2. Super Freeze stāvoklī nevar regulēt saldēšanas nodalījuma temperatūru.



Funkcija Super Cool

1. Funkciju Super Cool ieteicams ieslēgt, ja jāglabā vairāk pārtikas (piemēram, pēc iepirkšanās). Funkcija Super Cool paātrina svaigas pārtikas atdzesēšanu un pasargā jau glabātos produktus no nevēlamas sasilšanas.
2. Funkciju Super Cool var atvērt, izmantojot APR, un šajā brīdī nodziest displeja plates C ikona.



PAZIŅOJUMS

1. Ierīce izslēdz funkciju Super Cool, kad tā ir bijusi ieslēgta 6 stundas, kad tiek nospiests "K2" vai tā tiek izslēgta no lietotnes.
2. Super Cool stāvoklī nevar regulēt ledusskapja nodalījuma temperatūru

Funkcija Holiday

Funkciju Holiday var izmantot, lai samazinātu ierīces enerģijas patēriņu, ja tā netiek lietota regulāri. Kad šī funkcija ir ieslēgta, ledusskapis tiek izslēgts, savukārt saldētava turpina darboties normāli. Šī funkcija iestata nemainīgu ledusskapja temperatūru uz 17 °C.

Funkciju Holiday var atvērt, izmantojot APR, un šajā brīdī nodziest displeja plates C ikona.



PAZIŅOJUMS

Funkciju var deaktivizēt, iestatot ledusskapja temperatūru vai veicot jebkuru citu iestatīšanu, vai izslēdzot to lietotnē.

Pēc režīma Holiday ieslēgšanas ledusskapja gaismiņa nodziest.

Wi-Fi starpsavienojuma funkcija

Kad atdzesēšanas laikā ir atvērtas durvis, nospiediet taustiņu K1 uz 3 s; atskan ledusskapja signāls, ātri mirgo A ikona, un Wi-Fi pāriet konfigurācijas stāvoklī.

Ieteikumi par atvērtu durvju trauksmi un problēmu novēršanu

Ja ledusskapja durvis ir atvērtas līdz 3 minūtēm un nav aizvērtas, atskan ledusskapja signāls, vienlaicīgi mirgo durvju indikatora lampiņa; ja durvju atvēršanas laiks sasniedz 13 minūtes un tās joprojām nav aizvērtas, ledusskapis vairs neatskaņo signālu, bet durvju indikatora lampiņa turpina mirgot.

Ja ledusskapja saldētavas durvis ir aizvērtas, bet joprojām skan ledusskapja signāls ("pī-pī") vai turpina mirgot durvju indikatora lampiņa, tad, iespējams, ir radusies ledusskapja daļu atteice, tāpēc, pēc iespējas drīzāk sazinieties ar klientu apkalpošanas personālu. Strāvas padeves traucējumu atmiņa

Kad ledusskapis ir izslēgts, momentānais strāvas padeves pārtraukuma darba statuss tiek saglabāts atmiņā, un, kad strāvas padeve atjaunojas, ledusskapis joprojām turpina atbilstoši iestatījumam un funkcijas statusam pirms strāvas padeves pārtraukuma.

Ieteikumi svaigas pārtikas uzglabāšanai

Uzglabāšana ledusskapja nodalījumā

Uzturiet ledusskapja temperatūru zem 5 °C.

Karsts ēdiens pirms uzglabāšanas ierīcē ir jāatdzesē līdz istabas temperatūrai.

Ledusskapī uzglabātie pārtikas produkti pirms uzglabāšanas ir jānomazgā un jānožāvē.

Glabājamai pārtikai jābūt pienācīgi noslēgtai, lai izvairītos no smakas vai garšas izmaiņām.

Neuzglabājiet pārmērīgu daudzumu pārtikas produktu. Atstājiet spraugas starp pārtikas produktiem, lai ap tiem varētu plūst auksts gaiss, nodrošinot labāku un vienmērīgāku dzesēšanu.

Ik dienu patērētie pārtikas produkti jāuzglabā plaukta priekšpusē.

Atstājiet spraugu starp pārtikas produktiem un iekšējām sienām, nodrošinot gaisa plūsmu. Noteikti neglabājiet pārtikas produktus pie aizmugurējās sienas — pārtikas produkti var tai piesalt. Nepieļaujiet pārtikas produktu (īpaši — taukainu vai skābu produktu) tiešu saskari ar iekšējo apdari, jo eļļa/skābe var sabojāt iekšējo apdari. Ja atrodat eļļainus/skābus traipus, notīriet tos.

Saldētu ēdienu var viegli sasaldēt ledusskapja nodalījumā. Tas ietaupa enerģiju.

Ledusskapī var paātrināties augļu un dārzeņu, piemēram, kabaču, meloņu, papaijas, banānu, ananasu, nogatavošanās process. Tāpēc tos nav ieteicams glabāt ledusskapī. Tomēr noteiktu laiku var veicināt izteikti zaļu augļu nogatavināšanu. Sīpoli, ķiploki, ingvers un citi sakņu dārzeņi arī jāuzglabā istabas temperatūrā.

Nepatīkami aromāti ledusskapī ir zīme, ka kaut kas ir izlijis un ir jāveic tīrīšana. Skatiet sadaļu Apkope un tīrīšana.

Dažādi pārtikas produkti ir jānovieto dažādās vietās atkarībā no to īpašībām.

Uzglabāšana saldētavas nodalījumā

- Uzturiet saldētavas temperatūru -18 °C.
- Karsts ēdiens pirms uzglabāšanas saldētavā ir jāatdzesē līdz istabas temperatūrai.
- Pārtikas produkti, kas sadalīti nelielās porcijās, sasals ātrāk un būs vieglāk atkausējami un pagatavojami. Ieteicamais katras porcijas svars ir līdz 2,5 kg
- Pirms pārtikas produktu ievietošanas saldētavā tos ieteicams iesaiņot. Iepakojuma ārpusē jābūt sausai, lai nepieļautu maisiņu salipšanu. Iepakojuma materiāliem jābūt bez smaržas, hermētiskiem, nekaitīgiem un netoksiskiem.
- Lai izvairītos no uzglabāšanas termiņu beigšanās, uz iepakojuma piefiksējiet sasaldēšanas datumu, termiņu un pārtikas produkta nosaukumu atbilstoši dažādu pārtikas produktu uzglabāšanas periodiem.



BRĪDINĀJUMS!

Skābe, sārms, sāls u. c. var sabojāt saldētavas iekšējo virsmu.

- Nenovietojiet pārtiku, kas satur šīs vielas (piemēram, jūras zivis), tieši uz iekšējās virsmas. Saldētavā nonācis sālsūdens ir nekavējoties jāuzslauka.
- Nepārsniedziet ražotāju ieteikto pārtikas produktu uzglabāšanas laiku. Izņemiet no saldētavas tikai nepieciešamo pārtikas daudzumu.
- Atkausētos pārtikas produktus patērējiet drīz. Atkausētus pārtikas produktus nevar atkārtoti sasaldēt, ja tie nav pagatavoti — pretējā gadījumā tie var kļūt mazāk piemēroti lietošanai uzturā.
- Neievietojiet saldētavā pārmērīgu daudzumu svaigu pārtikas produktu. Saldētavas saldēšanas jaudu skatiet sadaļā "TEHNISKIE DATI" vai skatiet datus uz tehnisko datu plāksnītes.
- Pārtiku var uzglabāt saldētavā vismaz -18 °C temperatūrā 2 līdz 12 mēnešus atkarībā no tās īpašībām (piemēram, gaļa: 3–12 mēneši, dārzeņi: 6–12 mēneši).
- Sasaldējot svaigu pārtiku, izvairieties no tās saskares ar jau sasaldētu pārtiku. Atkušanas risks!

Uzglabājot komerciāli sasaldētus pārtikas produktus, lūdzu, ievērojiet šos norādījumus:

- Vienmēr ievērojiet ražotāja norādījumus par to, cik ilgi pārtikas produktus var uzglabāt. Nepārsniedziet šos norādījumus!
- Lai saglabātu pārtikas kvalitāti, centieties nodrošināt pēc iespējas īsāku laiku starp iegādi un uzglabāšanu.
- Iegādājieties saldētu pārtiku, kas ir glabāta -18 °C vai zemākā temperatūrā.
- Izvairieties pirkt pārtiku, uz kuras iepakojuma ir ledus vai sarma, jo tas norāda, ka produkti kādā brīdī varētu būt bijuši daļēji atkausēti un atkārtoti sasaldēti — temperatūras paaugstināšanās ietekmē produktu kvalitāti.

Wi-Fi režīma iestatījums

PROCEDŪRA SAVIENOŠANAI PĀRĪ LIETOTNĒ

1. darbība • Lejupielādējiet hOn lietotni no veikaliem



2. darbība • Izveidojiet kontu hOn lietotnē vai piesakieties, ja jums jau ir konts



3. darbība • Izpildiet savienošanas pārī norādījumus hOn lietotnē



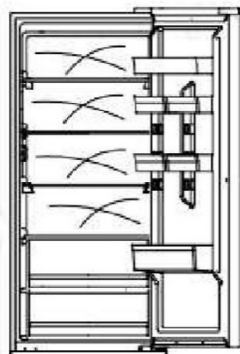
Radio modulis — tehniskie dati

Frekvence (OFR)	2400–2843,5 MHz
Kanāla frekvences	2412...2472 MHz (soļa lielums: 5 MHz)
Maksimālā jauda (EIRP)	100 mW



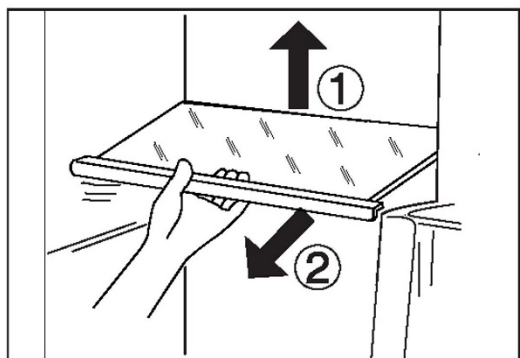
PAZIŅOJUMS

Tā kā ir pieejami dažādi modeļi, jūsu produktam var nebūt visas tālāk norādītās funkcijas. Lūdzu, skatiet nodaļu Produkta apraksts.



Vairāku kanālu gaisa plūsma

Ledusskapis ir aprīkots ar vairāku kanālu gaisa plūsmas sistēmu, kur katra plaukta līmenī ir vēsas gaisa plūsmas. Tas palīdz uzturēt vienmērīgu temperatūru, lai nodrošinātu, ka ēdiens ilgāk tiek saglabāts svaigāks.

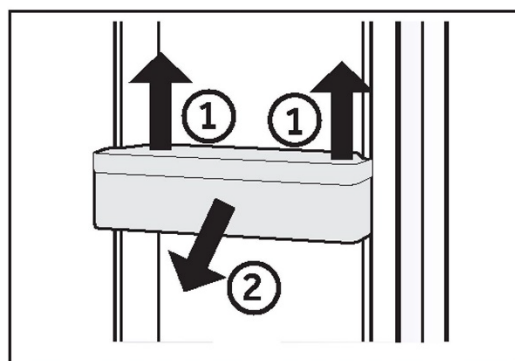


Regulējami plaukti

1. Plauktu augstumu var pielāgot, lai tie atbilstu jūsu uzglabāšanas vajadzībām.
2. Lai pārvietotu plauktu, vispirms izņemiet to, paceļot tā aizmugurējo malu ① un izvelkot to uz āru ②.
3. Lai to ievietotu atpakaļ, uzlieciet to uz izciļņiem abās pusēs un bīdiet to uz priekšu, līdz plaukta aizmugure ir fiksēta sānos esošajās atverēs

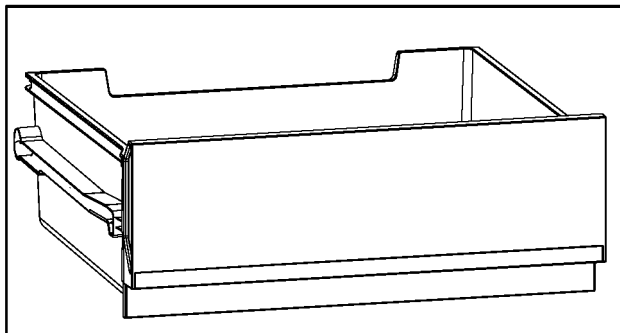
Noņemami durvju plaukti/ pudeļu turētājs

1. Durvju plauktus var noņemt tīrīšanai:
2. Uzlieciet rokas abās plaukta pusēs, paceliet to uz augšu ① un izvelciet ②.
3. Lai ievietotu durvju plauktu, iepriekš minētās darbības jāveic pretējā secībā.



Ledusskapja glabāšanas atvilktnē

Lai izmantotu un iestatītu ledusskapja glabāšanas nodalījumu, lūdzu, skatiet sadaļu LIETOŠANA.



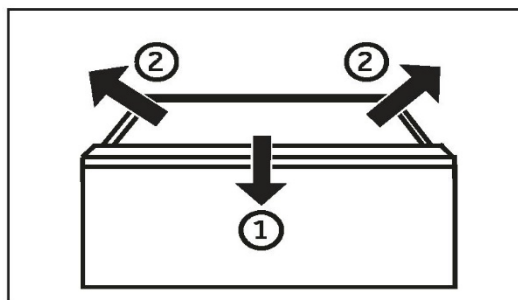
Saldētavas atvilktnē

Saldētavas atvilktni var izvilkt taisni un pilnībā. Tā ir uzstādīta uz viegli velkamas teleskopiskās sliedes. Šādi jūs varat ērti glabāt un izņemt sasaldētos produktus. Ar automātisko durvju aizvēršanas mehānismu darbība ir vienkārša un var ietaupīt enerģiju.

Noņemama atvilktnē

Lai izņemtu atvilktni, izvelciet to maksimāli ①, paceliet un izņemiet ②.

Lai ievietotu atvilktni, iepriekš minētās darbības jāveic pretējā secībā.



BRĪDINĀJUMS!

Nepārslogojiet atvilktnes: Katras atvilktnes maksimālā slodze: 35 kg!

Apgaismojums

LED iekšējais apgaismojums ieslēdzas, kad tiek atvērtas durvis. Apgaismojuma darbību neietekmē neviens no ierīces pārējiem iestatījumiem.



Energijas taupīšanas padomi

- ▶ Pārliedziet, vai ierīcē tiek veikta pienācīga ventilācija (skatiet sadaļu UZSTĀDĪŠANA).
- ▶ Neuzstādiet ierīci tiešā saules gaismā vai siltuma avotu (piemēram, krāsns, sildītāja) tuvumā.
- ▶ Neiestatiet ierīcē nevajadzīgi zemu temperatūru. Jo zemāka temperatūra ierīcē ir iestatīta, jo augstāks ir enerģijas patēriņš.
- ▶ Ļaujiet siltam ēdienam atdzist, pirms to ievietojat ierīcē.
- ▶ Atveriet ierīces durvis pēc iespējas mazāk un uz īsāku brīdi.
- ▶ Nepārpildiet ierīci, lai netraucētu gaisa plūsmu.
- ▶ Izvairieties no gaisa iekļūšanas pārtikas iepakojumā.
- ▶ Uzturiet durvju blīves tīras, lai durvis vienmēr pareizi aizvērtos.
- ▶ Visvairāk enerģiju taupošajai konfigurācijai ir nepieciešams, lai atvilktnē, pārtikas kastē un plaukti tiktu novietoti ierīcē rūpnīcā iestatītā svaiguma stāvoklī un pārtika tiktu novietota, nebloķējot gaisa izplūdi kanālā.



BRĪDINĀJUMS!

Pirms tīršanas atvienojiet ierīci no barošanas avota.

Tīršana

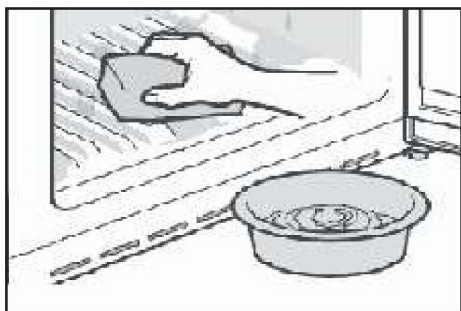
Iztīriet ierīci, kad tajā tiek uzglabāts maz vai necik pārtikas.

Lai ierīci uzturētu labā stāvoklī un novērstu glabāto pārtikas produktu aromātus, ierīce jātīra reizi četrās nedēļās.



BRĪDINĀJUMS!

- ▶ Netīriet ierīci ar cietām sukām, stieplu sukām, mazgāšanas pulveri, benzīnu, amilacetātu, acetonu un līdzīgiem organiskiem šķīdumiem, skābes vai sārma šķīdumiem. Tīriet ar īpašu ledusskapja mazgāšanas līdzekli, lai izvairītos no bojājumiem.
- ▶ Tīršanas laikā ierīci nedrīkst apsmidzināt vai skalot.
- ▶ Ierīces tīršanai neizmantojiet ūdens strūklu vai tvaiku.
- ▶ Nemazgājiet aukstus stikla plauktus karstā ūdenī. Krasas temperatūras izmaiņas var izraisīt stikla saplīšanu.
- ▶ Nepieskarieties saldētavas iekšējai virsmai, jo īpaši ar mitrām rokām, jo rokas var piesalt pie virsmas.



- ▶ Durvju blīvi vienmēr turiet tīru.
- ▶ Notīriet ierīces iekšpusi un korpusu ar sūkli, kas samitrināts siltā ūdenī un neitrālā mazgāšanas līdzeklī.
- ▶ Nomazgājiet ledusskapja iekšpusi un ārpusi, tostarp durvju blīvi, durvju plauktu, stikla plauktus, kastes un pārējos priekšmetus, izmantojot mīkstu dvieli vai sūkli, kas samitrināts siltā ūdenī (kuram var pievienot neitrālu mazgāšanas līdzekli).
- ▶ Ja ir izlijis šķidrums, noņemiet visas piesārņotās daļas, tiešā veidā noskalojiet zem tekoša ūdens, nožāvējiet un ievietojiet atpakaļ ledusskapī.
- ▶ Ja ir izlijis biezs šķidrums (piemēram, krējums, kūstošs saldējums), noņemiet visas netīrās detaļas, ielieciet tās aptuveni 40 °C siltā ūdenī, pēc tam noskalojiet tekošā ūdenī, noslaukiet un ievietojiet atpakaļ ledusskapī.
- ▶ Ja ledusskapī (starp plauktiem vai atvilktnēm) ir iesprūduši kāda maza detaļa vai komponents, izmantojiet nelielu mīkstu suku, lai to atbrīvotu. Ja detaļu nevarat aizsniegt, sazinieties ar Haier klientu apkalpošanas dienestu
- ▶ Noskalojiet un nosusiniet ar mīkstu drānu.
- ▶ Nevienu ierīces daļu nemazgājiet trauku mazgājamā mašīnā.
- ▶ Pirms ierīces atkārtotas ieslēgšanas nogaidiet vismaz 7 minūtes, jo bieža iedarbināšana var sabojāt kompresoru.

Atkausēšana

Ledusskapja un saldētavas nodalījumu atkausēšana tiek veikta automātiski; manuāla darbība nav jāveic.

LED spuldžu nomaiņa



BRĪDINĀJUMS!

LED lampu nomaiņu neveiciet paši, to drīkst nomainīt tikai ražotājs vai pilnvarots servisa pārstāvis.

Lampa izmanto LED kā gaismas avotu, nodrošinot zemu enerģijas patēriņu un ilgu kalpošanas laiku. Ja novērojat neparastu darbību, lūdzu, sazinieties ar klientu apkalpošanas dienestu. Skatiet sadaļu KLIENTU APKALPOŠANAS DIENESTS.

Lampu parametri:

Ledusskapja nodalījums: 12 V maks. 1,5 W

Nelietošana ilgāku laiku

Ja ierīce netiek izmantota ilgāku laiku:

Izņemiet ēdienu.

Atvienojiet strāvas vadu no elektrotīkla.

Tīriet ierīci, kā aprakstīts iepriekš.

Turiet durvis atvērtas, lai novērstu nepatīkamu smaku veidošanos iekšpusē.



PAZIŅOJUMS

Izslēdziet ierīci tikai tad, ja tas ir absolūti nepieciešams.

Ierīces pārvietošana

1. Izņemiet visu pārtiku un atvienojiet ierīci no kontaktligzdas.
2. Nostipriniet plauktus un citas kustīgās ledusskapja un saldētavas daļas ar līmlenti.
3. Nesasveriet ledusskapi vairāk par 45°, lai nesabojātu dzesēšanas sistēmu.



BRĪDINĀJUMS!

- ▶ Neceliet ierīci aiz rokturiem.
- ▶ Nekad nenovietojiet ierīci horizontāli uz zemes.

Daudzas radušās problēmas varat novērst paši, jo nav nepieciešamas speciālas prasmes. Ja rodas problēma, pirms sazināšanās ar klientu apkalpošanas dienestu, lūdzu, pārskatiet visus tālāk minētos iemeslus un izpildiet tālāk sniegtos norādījumus. Skatiet sadaļu KLIENTU APKALPOŠANAS DIENESTS.



BRĪDINĀJUMS!

- ▶ Pirms apkopes izslēdziet ierīci un atvienojiet strāvas kontaktdakšu no kontaktligzdas.
- ▶ Elektroiekārtu apkopi drīkst veikt tikai kvalificēti elektrotehnikas speciālisti, jo nepareizi veikts remonts var radīt ievērojamus izrietošus bojājumus.
- ▶ Bojāts barošanas vads ir jānomaina tikai ražotājam, tā klientu apkalpošanas dienesta pārstāvim vai līdzīgi kvalificētai personai, lai izvairītos no riska.

Problēma	Iespējamais cēlonis	Iespējamais risinājums
Kompresors nedarbojas.	<ul style="list-style-type: none"> • Elektrotīkla kontaktdakša nav pievienota strāvas kontaktligzdai. • Ierīce ir atkausēšanas ciklā 	<ul style="list-style-type: none"> • Pievienojiet strāvas kontaktdakšu. • Tas ir normāls statuss automātiskās atkausēšanas laikā
Ierīce darbojas bieži vai pārāk ilgu laika periodu.	<ul style="list-style-type: none"> • Iekšējai vai ārējai temperatūra ir pārāk augsta. • Ierīce kādu laiku ir bijusi izslēgta. • Ierīces durvis nav cieši aizvērtas. • Durvis ir tikušas atvērtas pārāk bieži vai uz pārāk ilgu laiku. • Saldētavas nodalījuma temperatūras iestatījums ir pārāk zems. • Durvju blīve ir netīra, nodilusi, ieplaisājusi vai neatbilstoša. • Netiek garantēta nepieciešamā gaisa cirkulācija. 	<ul style="list-style-type: none"> • Šajā gadījumā ir normāli, ka ierīce darbojas ilgāk. • Parasti pāriet 8 līdz 12 stundas, līdz ierīce pilnībā atdziest. • Aizveriet durvis/atvilktņi un pārliedziniet, vai ierīce atrodas uz līdzenas virsmas un vai kāds produkts vai trauks netraucē durvju aizvēršanu. • Neatveriet durvis/atvilktņi pārāk bieži. • Iestatiet augstāku temperatūru, līdz tiek iegūta apmierinoša ledusskapja temperatūra. Lai ledusskapja temperatūra nostabilizētos, ir nepieciešamas 24 stundas. • Notīriet durvju/atvilktnes blīvi vai lūdziet klientu apkalpošanas dienestam to nomainīt. • Nodrošiniet atbilstošu ventilāciju.



Problēma	Iespējamais cēlonis	Iespējamais risinājums
Ledusskapja iekšpuse ir netīra un/vai ož.	<ul style="list-style-type: none"> Ledusskapja iekšpuse ir jāiztīra. Ledusskapī tiek uzglabāta pārtika ar spēcīgu aromātu. 	<ul style="list-style-type: none"> Iztīriet ledusskapja iekšpusi. Rūpīgi iesaiņojiet ēdienu.
Ierīces iekšpusē nav pietiekami auksts.	<ul style="list-style-type: none"> Ierīce ir iestatīta pārāk augsta temperatūrā. Tiek uzglabāti pārāk silti produkti. Vienlaikus tiek uzglabāts pārāk daudz produktu. Produkti atrodas pārāk tuvu viens otram. Ierīces durvis/atvilktnes nav cieši aizvērtas. Durvis/atvilktnes ir tikusi atvērtas pārāk bieži vai uz pārāk ilgu laiku. 	<ul style="list-style-type: none"> Atiestatiet temperatūru. Pirms uzglabāšanas produktus vienmēr atdzesējiet. Vienmēr uzglabājiet nelielus daudzumus pārtikas. Atstājiet spraugu starp produktiem, lai nodrošinātu gaisa plūsmu. Aizveriet durvis/atvilktni. Neatveriet durvis/atvilktni pārāk bieži.
Ierīces iekšpusē ir pārāk auksts.	<ul style="list-style-type: none"> Ierīce ir iestatīta pārāk zema temperatūrā. 	<ul style="list-style-type: none"> Atiestatiet temperatūru.
Ledusskapja nodalījuma iekšpusē veidojas mitrums.	<ul style="list-style-type: none"> Klimats ir pārāk silts un pārāk mitrs. Ierīces durvis/atvilktnes nav cieši aizvērtas. Durvis/atvilktnes ir tikusi atvērtas pārāk bieži vai uz pārāk ilgu laiku. Pārtikas trauki vai šķidrumi ir atstāti atvērti. 	<ul style="list-style-type: none"> Palieliniet temperatūru. Aizveriet durvis/atvilktni. Neatveriet durvis/atvilktni pārāk bieži. Ļaujiet karstiem ēdieniem atdzist līdz istabas temperatūrai un pārklājiet ēdiena traukus un šķidrumus.
Mitrums uzkrājas uz ledusskapja ārējās virsmas vai starp durvīm vai durvīm un atvilktni.	<ul style="list-style-type: none"> Klimats ir pārāk silts un pārāk mitrs. Durvis nav cieši aizvērtas. Aukstais gaiss ierīcē un siltais gaiss ārpus tās kondensējas. 	<ul style="list-style-type: none"> Tas ir normāli mitrā klimatā un mainīsies, kad mitrums samazināsies. Pārļiecinieties, vai durvis/atvilktnes ir cieši aizvērtas.

Problēma	Iespējamais cēlonis	Iespējamais risinājums
Daudz ledus un sarmas saldētavas nodalījumā.	<ul style="list-style-type: none"> • Produkti nebija pienācīgi iepakoti. • Ierīces durvis/atvilktnē nav cieši aizvērtas. • Durvis/atvilktnē ir tikusi atvērta pārāk bieži vai uz pārāk ilgu laiku. • Durvju/atvilktnes blīve ir netīra, nodilusi, ieplaisājusi vai neatbilstoša. • Kaut kas iekšpusē neļauj durvīm/atvilktnēi kārtīgi aizvērties. 	<ul style="list-style-type: none"> • Vienmēr kārtīgi iepakojiet produktus. • Aizveriet durvis/atvilktni. • Neatveriet durvis/atvilktni pārāk bieži. • Notīriet durvju/atvilktnes blīvi vai nomainiet to pret jaunu. • Pārkārtojiet plauktus, durvju plauktus vai ievietotos traukus, lai ļautu durvīm/atvilktnēi aizvērties.
Skapja un durvju sloksnes malas kļūst siltas.	<ul style="list-style-type: none"> • - 	<ul style="list-style-type: none"> • Tas ir normāli.
Ierīce rada neparastas skaņas.	<ul style="list-style-type: none"> • Ierīce nav uzstādīta uz līdzenas virsmas. • Ierīce pieskaras kādam priekšmetam pie tās. 	<ul style="list-style-type: none"> • Noregulējiet kājiņas tā, lai ierīce būtu vienā līmenī. • Noņemiet ap ierīci esošos priekšmetus.
Ir dzirdama neliela skaņa, kas līdzīga tekoša ūdens skaņai.	<ul style="list-style-type: none"> • - 	<ul style="list-style-type: none"> • Tas ir normāli.
Skan brīdinājuma signāls.	<ul style="list-style-type: none"> • Ledusskapja uzglabāšanas nodalījuma durvis ir atvērtas. 	<ul style="list-style-type: none"> • Aizveriet durvis.
Dzirdama vāja dūkoņa.	<ul style="list-style-type: none"> • Darbojas pretkondensācijas sistēma 	<ul style="list-style-type: none"> • Tā novērš kondensāta veidošanos, un tās darbība ir normāla
Iekšējais apgaismojums vai dzesēšanas sistēma nedarbojas.	<ul style="list-style-type: none"> • Tas ir demonstrācijas režīmā 	<ul style="list-style-type: none"> • Ledusskapis ir pieslēgts elektrotīklam, un ledusskapja durvis ir atvērtas. • Nospiediet un paturiet nospiestu pogu K1 un piecas reizes noklikšķiniet uz pogas K2, tad ikona pārtrauks izgaismoties apļveidā.



Problēma	Iespējamais cēlonis	Iespējamais risinājums
Iekšējais apgaismojums vai dzesēšanas sistēma nedarbojas.	<ul style="list-style-type: none"> • Elektrotīkla kontaktdakša nav pievienota strāvas kontaktligzdai. • Barošanas avots ir bojāts. • LED lampa nedarbojas. 	<ul style="list-style-type: none"> • Pievienojiet strāvas kontaktdakšu. • Pārbaudiet telpas elektroapgādi. Sazinieties ar vietējo elektroapgādes uzņēmumu! • Lūdzu, sazinieties ar servisu, lai nomainītu lampu.

Lai sazinātos ar tehnisko palīdzību, apmeklējiet mūsu vietni:

<https://corporate.haier-eu-roe.com/en/>

Sadaļā "Website" (Vietne) izvēlieties sava produkta zīmolu un savu valsti. Jūs tiksiet novirzīts uz konkrēto vietni, kur varēsiet atrast tālruna numuru un veidlapu, lai sazinātos ar tehnisko palīdzību.

Strāvas padeves pārtraukums

Strāvas padeves pārtraukuma gadījumā pārtikai būtu droši jāuzglabājas aukstai apmēram 5 stundas. Ilgstoša strāvas padeves pārtraukuma laikā, īpaši vasarā, ņemiet vērā šos ieteikumus:

- ▶ Atveriet durvis/atvilktņi pēc iespējas mazāk reižu.
- ▶ Strāvas padeves pārtraukuma laikā nelieciet ierīcē papildu pārtikas produktus.
- ▶ Ja par strāvas padeves pārtraukumu tiek paziņots iepriekš un pārtraukums ir ilgāks par 5 stundām, pagatavojiet ledu un ievietojiet to traukā ledusskapja nodalījuma augšpusē
- ▶ Uzreiz pēc strāvas padeves pārtraukuma beigām pārbaudiet produktus.
- ▶ Tā kā strāvas padeves pārtraukuma vai citas kļūmes laikā temperatūra ledusskapī paaugstināsies, samazināsies produktu uzglabāšanas laiks un kvalitāte. Visi produkti, kas ir atkusuši, pēc iespējas drīzāk ir jāpatērē vai jāpagatavo un atkārtoti jāsasaldē (ja nepieciešams), lai novērstu veselības apdraudējumu.

Atmiņas funkcija strāvas padeves pārtraukuma laikā

Pēc strāvas padeves atjaunošanas ierīce turpina darbu ar iestatījumiem, kas tika iestatīti pirms strāvas padeves pārtraukuma.

Izsaiņošana



BRĪDINĀJUMS!

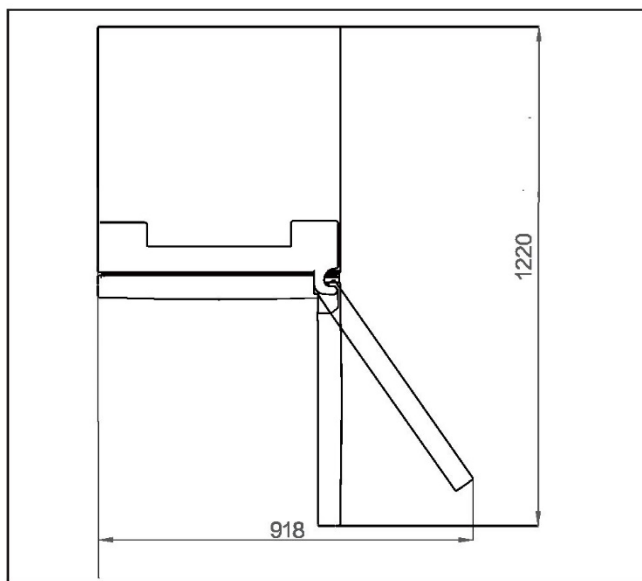
- ▶ Šī ierīce ir smaga. Tās pārvietošana jāveic vismaz diviem cilvēkiem.
- ▶ Visus iepakojuma materiālus uzglabājiēt bērniem nepieejamā vietā un utilizējiēt tos videi draudzīgā veidā.
- ▶ Izņemiēt ierīci no iepakojuma.
- ▶ Noņemiēt visus iepakojuma materiālus.

Vides apstākļi

Istabas temperatūrai vienmēr jābūt no 10°C līdz 43°C, piemēram, ledusskapjiem CNCQ2T620EX, CNCQ2T620EW, CNCQ2T618EX, CNCQ4T618EW, CNCQ4T618EB, vai arī 10°C līdz 38°C, piemēram, ledusskapjiem CNCQ4T620DX, CNCQ4T620DW, jo tā var ietekmēt temperatūru ierīces iekšpusē un tās enerģijas patēriņu. Neuzstādiēt ierīci citu siltumu izstarojošu ierīču (cepeškrāšņu, ledusskapju) tuvumā bez izolācijas.

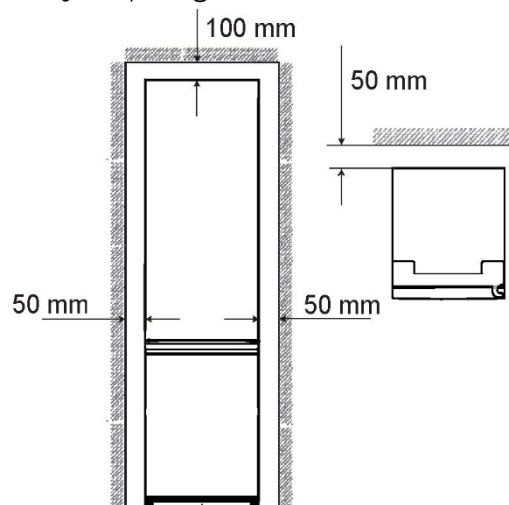
Nepieciešamā vieta

Nepieciešamā vieta, kad ir durvis



Ventilācijas šķērsriezums

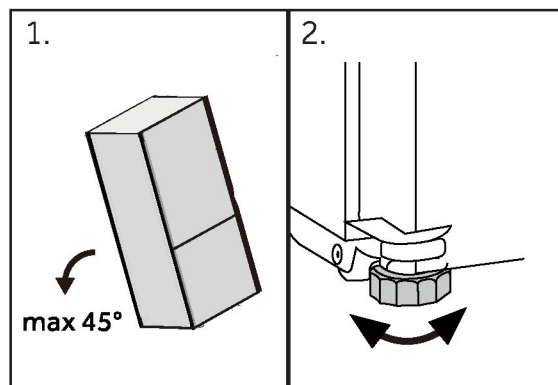
Lai nodrošinātu pietiekamu ierīces ventilāciju drošības apsvērumu dēļ, jāievēro informācija par ventilāciju, šķērsriezumiem

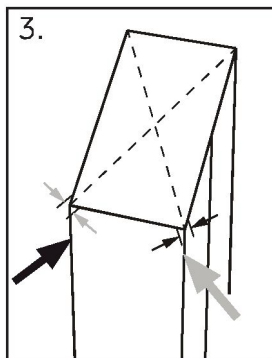


Ierīces centrēšana

Ierīce jānovieto uz līdzenas un cietas virsmas.

1. Nolieciēt ledusskapi nedaudz uz aizmuguri.
 2. Noregulējiēt kājiņas vēlamajā līmenī.
- Pārlieciēnieties, vai attālums līdz sienai eņģu pusē ir vismaz 100 mm, lai durvis varētu kārtīgi atvērt.



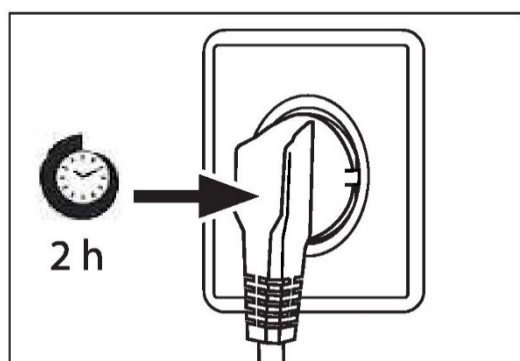


- 3.
1. Stabilitāti var pārbaudīt, pamīšus uzsitot pa diagonālēm. Abos virzienos jābūt novērojamai vieglai šūpošanās kustībai. Pretējā gadījumā rāmis var deformēties, un rezultātā var rasties noplūde pie durvju blīvēm. Neliels slīpums uz aizmuguri atvieglo durvju aizvēršanu.



PAZIŅOJUMS

Brīvi stāvošai ierīcei: šo aukstumiekārtu nav paredzēts izmantot kā iebūvētu ierīci



Gaidīšanas laiks

Kompresora kapsulā ir bezapkopes smēreļļa. Ja ierīce tiek transportēta slīpā stāvoklī, šī eļļa transportēšanas laikā var izkļūt caur slēgto cauruļu sistēmu. Pirms ierīces pievienošanas barošanas avotam nogaidiet 2 stundas, lai eļļa saplūstu atpakaļ kapsulā.

Elektriskais savienojums

Pirms katras savienošanas reizes pārbaudiet, vai:

- ▶ barošanas avots, kontaktligzda un drošinātājs atbilst tehnisko datu plāksnītei;
- ▶ strāvas kontaktligzda ir zemēta un tai nav vairāku kontaktligzdu vai pagarinātāju;
- ▶ strāvas kontaktdakša un kontaktligzda atbilst tehniskajām prasībām.

Pievienojiet kontaktdakšu pareizi uzstādītai māsaimniecības kontaktligzdai.



BRĪDINĀJUMS!

Lai izvairītos no riskiem, bojāts strāvas vads ir jānomaina klientu apkalpošanas dienestam (skatiet garantijas karti).

Durvju apvēršana

Pirms ierīces pievienošanas barošanas avotam pārbaudiet, vai durvju eņģes ir jāmaina no labās puses (kur tās ir piegādes brīdī) uz kreiso, ja tas ir nepieciešams atbilstoši uzstādīšanas vietai un lietojamībai.

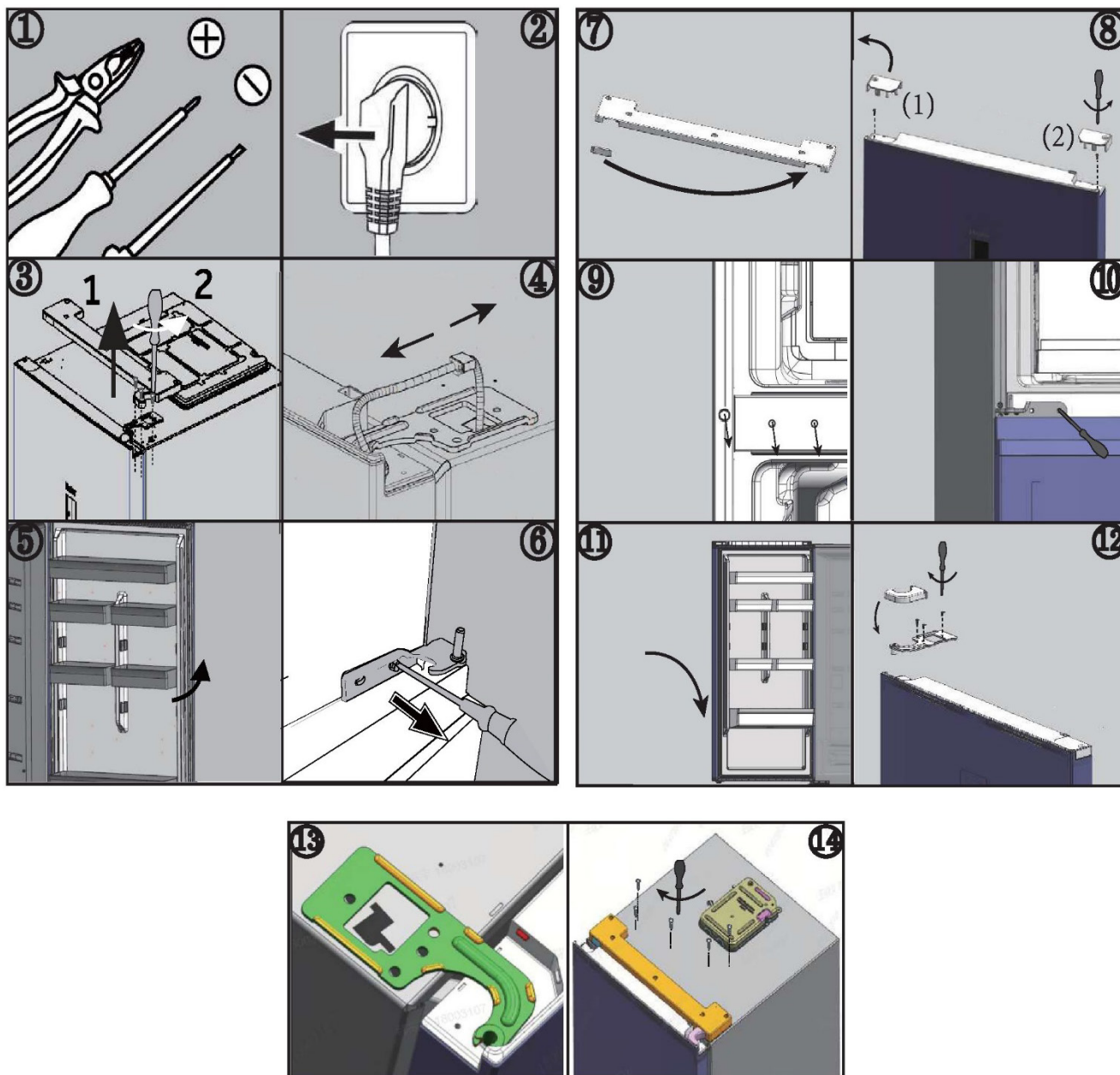


BRĪDINĀJUMS!

- ▶ Šī ierīce ir smaga. Lai veiktu durvju apvēršanu, ir nepieciešami divi cilvēki.
- ▶ Pirms jebkuras darbības veikšanas atvienojiet ierīci no elektrotīkla
- ▶ Nesasveriet ierīci vairāk par 45°, lai neizraisītu dzesēšanas sistēmas bojājumus.

Montāžas darbības

1. Nodrošiniet nepieciešamo instrumentu.
 2. Atvienojiet ierīci no elektrotīkla.
 3. Noņemiet augšējās eņģes vāku 1 un atskrūvējiet augšējo eņģi (trīs skrūves) labajā pusē 2.
 4. Uzmanīgi noceliet vaļīgās ledusskapja durvis no vidējās eņģes.
 5. Noņemiet vidējo eņģi.
 6. Noņemiet priekšējā paneļa mazo pārsegu no kreisās uz labo pusi.
 7. Apgrieziet durvis otrādi un atskrūvējiet pārsegu (1). Izņemiet jauno pārsegu (2) no attiecīgā maisa un pieskrūvējiet pretējā pusē.
 8. Mainiet aizbāžņu un sānos esošās skrūves pozīcijas.
 9. Pieskrūvējiet vidējo eņģi ierīces kreisajā pusē. Pievērsiet uzmanību vidējās eņģes šarnīra apgriešanai, nodrošinot to, lai puse ar blīvi būtu vērsta augšup
 10. Uzmanīgi paceliet augšējās durvis uz vidējās eņģes. Pārlicinieties, vai šarnīrs iekļaujas apakšējo durvju eņģu cilindrā.
 11. Izņemiet jauno augšējo eņģi un eņģes pārsegu no piederumu somas. Piestipriniet augšējo eņģi ar trim skrūvēm ierīces kreisajā pusē. Uzlieciet eņģes pārsegu uz eņģes.
 12. Uzlieciet vietā priekšējo paneli un nostipriniet to ar piecām skrūvēm.
- Pēc durvju nomaiņas pārbaudiet, vai durvju blīves ir pareizi novietotas uz korpusa un visas skrūves ir kārtīgi pievilkta.



Apkārtojās vides temperatūra

Paplašināta mērena: šo aukstumiekārtu ir paredzēts izmantot apkārtojās vides temperatūrā no 10 °C līdz 32 °C

Mērena: šo aukstumiekārtu ir paredzēts izmantot apkārtojās vides temperatūrā no 16 °C līdz 32 °C

Subtropu: šo aukstumiekārtu ir paredzēts izmantot apkārtojās vides temperatūrā no 16 °C līdz 38 °C

Tropu: šo aukstumiekārtu ir paredzēts izmantot apkārtojās vides temperatūrā no 16 °C līdz 43 °C

Produkta parametri saskaņā ar Regulu (ES)2019/2016

Pamatojoties uz standarta testa rezultātiem par 24 stundām. Faktiskais enerģijas patēriņš būs atkarīgs no ierīces lietošanas veida un atrašanās vietas

Modelis	CNCQ4T620EW CNCQ4T620EX CNCQ4T620EB	CNCQ4T620DX CNCQ4T620DW	CNCQ4T620CX
Aukstumiekārtas veids	Ledusskapis/ saldētava	Ledusskapis/ saldētava	Ledusskapis/ saldētava
Energoefektivitātes klase	E	D	C
Enerģijas patēriņš gadā (kWh/gadā)	279	223	178
Tilpums ledusskapja nodalījumā (l)	289	289	289
Tilpums saldētavas nodalījumā (l)	120	120	120
Saldēšanas klase	4 zvaigznes	4 zvaigznes	4 zvaigznes
Atkausēšanas veids	Automātiska atkausēšana	Automātiska atkausēšana	Automātiska atkausēšana
Temperatūras paaugstināšanās laiks (h)	11	11	13
Saldēšanas jauda (kg/24 h)	10	10	10
Klimata klase	SN.N.ST	SN.N.ST.T	SN.N.ST.T



Modelis	CNCQ4T618DX	CNCQ4T618EW CNCQ4T618EX CNCQ4T618EB
Aukstumiekārtas veids	Ledusskapis/saldētava	Ledusskapis/saldētava
Energoefektivitātes klase	D	E
Enerģijas patēriņš gadā (kWh/gadā)	216	270
Tilpums ledusskapja nodalījumā (l)	235	235
Tilpums saldētavas nodalījumā (l)	120	120
Saldēšanas klase	4 zvaigznes	4 zvaigznes
Atkausēšanas veids	Automātiska atkausēšana	Automātiska atkausēšana
Temperatūras paaugstināšanās laiks (h)	11	11
Saldēšanas jauda (kg/24 h)	10	10
Klimata klase	SN.N.STT	SN.N.ST

Paskaidrojumi:

- Jā, piedāvātie
- (1) Pamatojoties uz standartu atbilstības testa rezultātiem 24 stundu laikā.
Faktiskais patēriņš ir atkarīgs no ierīces lietošanas veida un atrašanās vietas.
 - (2) Klimata novērtējums SN: Šī ierīce ir paredzēta lietošanai apkārtējās vides temperatūrā no + 10°C līdz +32°C
Klimata novērtējums N: Šī ierīce ir paredzēta lietošanai apkārtējās vides temperatūrā no + 16°C līdz +32°C
Klimata novērtējums ST: Šī ierīce ir paredzēta lietošanai apkārtējās vides temperatūrā no + 16°C līdz +38°C
Klimata novērtējums T: Šī ierīce ir paredzēta lietošanai apkārtējās vides temperatūrā no + 16°C līdz +43°C

Papildu tehniskie dati

Modelis	CNCQ4T620EW CNCQ4T620EX CNCQ4T620EB	CNCQ4T620DX CNCQ4T620DW	CNCQ4T618EW CNCQ4T618EX CNCQ4T618EB
Kopējais tilpums (l)	409	409	355
Spriegums/ frekvence	220~240 V/50 Hz	220~240 V/50 Hz	220~240 V/50 Hz
Nominālā strāva (A)	0,9	1,4	0,9
Galvenais drošinātājs (A)	15	15	15
Dzesētājs	R600a(53g)	R600a(53g)	R600a(53g)
Izmēri (P/D/A milimetros)	595*667*2050	595*667*2050	595*667*1850

Modelis	CNCQ4T620CX	CNCQ4T618DX
Kopējais tilpums (l)	409	355
Spriegums/frekvence	220~240 V/50 Hz	220~240 V/50 Hz
Nominālā strāva (A)	1,4	1,4
Galvenais drošinātājs (A)	15	15
Dzesētājs	R600a(50g)	R600a(53g)
Izmēri (P/D/A milimetros)	595*667*2050	595*667*1850



Mēs iesakām izmantot mūsu Haier klientu apkalpošanas dienestu un oriģinālās rezerves daļas.

Ja rodas problēmas ar ierīci, lūdzu, vispirms skatiet sadaļu PROBLĒMU NOVĒRŠANA.

Ja tajā neatrodāt risinājumu, lūdzu, sazinieties ar

- ▶ vietējo izplatītāju vai
- ▶ mūsu Eiropas zvanu apkalpošanas centru (skatiet tālāk norādītos tālruņa numurus), vai
- ▶ skatiet pakalpojumu un atbalsta sadaļu (Service & Support) vietnē www.haier.com, kur varat aktivizēt apkopes
- ▶ pieprasījumu, kā arī atrast bieži uzdotos jautājumus.

Lai sazinātos ar mūsu apkalpošanas dienestu, pārlicinieties, vai jums ir pieejami tālāk minētie dati.

Informācija ir atrodama uz tehnisko datu plāksnītes.

Modelis _____

Sērijas nr. _____

Garantijas pakalpojuma gadījumā pārbaudiet arī ierīcei pievienoto garantijas karti.

Eiropas zvanu apkalpošanas centrs		
Valsts*	Tālruņa numurs	Maksa
Haier Italy (IT)	199 100 912	
Haier Spain (ES)	902 509 123	
Haier Germany (DE)	0180 5 39 39 99	<ul style="list-style-type: none"> • 14 centi/min. (fiksētais tālrunis) • maks. 42 centi/min. (mobilais tālrunis)
Haier Austrija (AT)	0820 001205	<ul style="list-style-type: none"> • 14,53 centi/min. (fiksētais tālrunis) • maks. 20 centi/min. (visi pārējie)
Haier United Kingdom (UK)	0333 003 8122	
Haier France (FR)	0980 406 409	



* Citām valstīm, lūdzu, skatiet www.haier.com

Haier Europe Trading S.r.l

Filiāle Apvienotajā Karalistē

Westgate House, Westgate, Ealing

London, W5 1YY

* Saldēšanas iekārtas garantijas termiņa periods:

Minimālais garantijas periods ir šāds: 2 gadi ES valstīs, 3 gadi Turcijā, 1 gads Apvienotajā Karalistē, 1 gads Krievijā, 3 gadi Zviedrijā, 2 gadi Serbijā, 5 gadi Norvēģijā, 1 gads Marokā, 6 mēneši Alžīrijā, Tunisijā nav nepieciešama juridiska garantija.

* Ierīces remonta rezerves daļu termiņš:

Termostati, temperatūras sensori, iespiedshēmas plates un gaismas avoti ir pieejami vismaz septiņus gadus pēc modeļa pēdējās ierīces laišanas tirgū.

Durvju rokturi, durvju eņģes, paplātes un grozi — vismaz septiņus gadus, un durvju blīves — vismaz 10 gadus pēc modeļa pēdējās vienības laišanas tirgū.

* Lai iegūtu plašāku informāciju par produktu, lūdzu, apmeklējiet vietni <https://eprel.ec.europa.eu/> vai noskenējiet uz ierīces redzamo energoefektivitātes uzlīmes QR kodu.

<u>5 Veiligheidsinformatie</u>	Vóór het eerste gebruik	6
	Installatie	6
	Dagelijks gebruik	7
<u>10 Beoogd gebruik</u>		
<u>11 Productbeschrijving</u>		
<u>13 Bedieningspaneel</u>		
<u>14 Gebruik</u>	De koelkasttemperatuur aanpassen	15
	De vriezertemperatuur aanpassen	15
	Super Freeze-functie	15
	Super Cool-functie	16
	Fresh 0°C-functie	15
<u>20 Apparatuur</u>		
<u>22 Tips voor energiebesparing</u>		
<u>23 Onderhoud en reiniging</u>		
<u>25 Problemen oplossen</u>		
<u>29 Installatie</u>		
<u>33 Technische gegevens</u>		
<u>36 Klantenservice</u>		



Klik op de inhoud om de gedetailleerde informatie te bekijken.

Bedankt voor uw aankoop van een Candy-product.

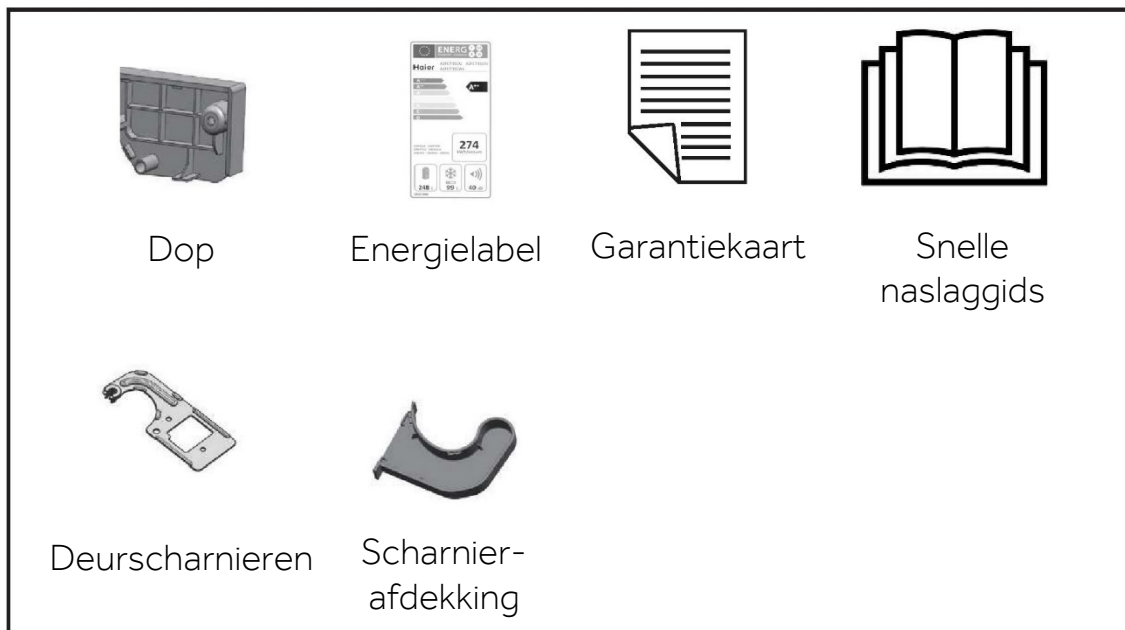
Lees deze instructies zorgvuldig door voordat u dit apparaat gebruikt. De instructies bevatten belangrijke informatie die u helpt het beste uit het apparaat te halen en veilige en correcte installatie, gebruik en onderhoud te waarborgen.

Bewaar deze handleiding op een handige plaats zodat u hem altijd kunt raadplegen voor een veilig en correct gebruik van het apparaat.

Als u het apparaat verkoopt, weggeeft of achterlaat wanneer u verhuist, zorg er dan voor dat u deze handleiding ook overdraagt, zodat de nieuwe eigenaar het apparaat en de veiligheids waarschuwingen kan leren kennen.

Accessoires

Controleer de accessoires en literatuur in overeenstemming met deze lijst:





WAARSCHUWING – Belangrijke veiligheidsinformatie



LET OP – Algemene informatie en tips



Milieu-informatie



Verwijdering

Help het milieu en de menselijke gezondheid te beschermen. Doe de verpakking in de daarvoor bestemde containers om deze te recyclen. Help het afval van elektrische en elektronische apparaten te recyclen. Gooi apparaten met dit symbool niet weg bij het huisvuil. Lever het product in bij uw plaatselijke recyclingfaciliteit of neem contact op met uw gemeentekantoor.



WAARSCHUWING!

Gevaar voor letsel of verstikking!

Koelmiddelen en gassen moeten professioneel worden verwijderd. Controleer of de leidingen van het koelmiddelcircuit niet zijn beschadigd voordat ze op de juiste manier worden afgevoerd. Koppel het apparaat los van de stroomvoorziening. Knip het netsnoer af en gooi het weg. Verwijder de bakken en laden en de deurvergrendeling en -afdichtingen, om te voorkomen dat kinderen en huisdieren in het apparaat worden opgesloten.

Lees voordat u het apparaat voor het eerst inschakelt de volgende veiligheidstips:



WAARSCHUWING!

Vóór het eerste gebruik

- ▶ Controleer of er geen transportschade is.
- ▶ Verwijder alle verpakkingsmaterialen en houd ze buiten het bereik van kinderen.
- ▶ Wacht ten minste twee uur voordat u het apparaat installeert, om er zeker van te zijn dat het koelmiddelcircuit volledig werkt.
- ▶ Verplaats het apparaat altijd met ten minste twee personen, het is namelijk zwaar.

Installatie

- ▶ Het apparaat moet op een goed geventileerde plaats worden geplaatst. Zorg voor een ruimte van ten minste 10 cm boven en rond het apparaat.
- ▶ Plaats het apparaat nooit in een vochtige ruimte of op een plaats waar het met water kan worden bespat. Reinig en droog waterspatten en vlekken met een zachte, schone doek.
- ▶ Installeer het apparaat niet in direct zonlicht of in de buurt van warmtebronnen (bijv. kachels, verwarmingstoestellen).
- ▶ Installeer het apparaat waterpas op een plaats die geschikt is voor de grootte en het gebruik ervan.
- ▶ Zorg ervoor dat de ventilatieopeningen in het apparaat of in de ingebouwde constructie open blijven.
- ▶ Controleer of de elektrische informatie op het typeplaatje overeenkomt met de stroomvoorziening. Als dat niet het geval is, neem dan contact op met een elektricien.
- ▶ Het apparaat wordt gebruikt met een voeding van 220–240 VAC/50 Hz. Abnormale spanningsschommelingen kunnen ertoe leiden dat het apparaat niet start of dat de temperatuurregeling of de compressor beschadigd raakt of dat er tijdens het gebruik een abnormaal geluid optreedt. In dat geval moet er een automatische regelaar worden gemonteerd.
- ▶ Gebruik geen stekkerdozen en verlengkabels.
- ▶ Plaats niet meerdere draagbare stopcontacten of draagbare voedingen op de achterkant van het apparaat.
- ▶ Zorg ervoor dat de stroomkabel niet bekneld zit door de koelkast. Ga niet op de stroomkabel staan.



WAARSCHUWING!

- ▶ Gebruik een apart geaard stopcontact voor de stroomvoorziening, dat gemakkelijk toegankelijk is. Het apparaat moet geaard zijn.
Alleen voor het Verenigd Koninkrijk: Het netsnoer van het apparaat is voorzien van een 3-aderige (geaarde) stekker die past op een standaard 3-aderig (geaard) stopcontact. De derde pin (aarding) mag nooit worden afgesneden of gedemonteerd. Nadat het apparaat is geïnstalleerd, moet de stekker bereikbaar zijn.
- ▶ Beschadig het koelcircuit niet.

Dagelijks gebruik

- ▶ Dit apparaat mag worden gebruikt door kinderen vanaf 8 jaar en door personen met verminderde lichamelijke, zintuiglijke of geestelijke vermogens of met een gebrek aan kennis en ervaring, mits zij onder toezicht worden gehouden of instructies hebben gekregen om het apparaat veilig te kunnen gebruiken en de gevaren begrijpen die ermee gepaard gaan.
- ▶ Kinderen van 3 tot 8 jaar mogen wel inladen en uitladen, maar mogen koelapparatuur niet reinigen of installeren.
- ▶ Houd kinderen onder de 3 jaar uit de buurt van het apparaat, tenzij ze voortdurend onder toezicht staan.
- ▶ Kinderen mogen niet met het apparaat spelen.
- ▶ Als er koelgas of ander brandbaar gas in de buurt van het apparaat lekt, moet u het ventiel van het lekkende gas sluiten, de deuren en ramen openen en mag u de stekker van de koelkast of een ander apparaat niet uit het stopcontact halen of in een stopcontact steken.
- ▶ Houd er rekening mee dat het apparaat, bijvoorbeeld CNCQ4T620EX, CNCQ4T620EW, CNCQ4T618EX, CNCQ4T618EW, CNCQ4T618EB, is ingesteld voor gebruik bij een specifiek omgevingsbereik tussen 10°C en 38°C. Het is mogelijk dat het apparaat na een lange tijd bij een temperatuur boven of onder het aangegeven bereik niet goed werkt.
- ▶ Houd er rekening mee dat het apparaat, bijvoorbeeld CNCQ4T620DX, CNCQ4T620DW, CNCQ4T620CX, is ingesteld voor gebruik bij een specifiek omgevingsbereik tussen 10°C en 43°C. Het is mogelijk dat het apparaat na een lange tijd bij een temperatuur boven of onder het aangegeven bereik niet goed werkt.
- ▶ Plaats geen onstabiele voorwerpen (zware voorwerpen, containers gevuld met water) boven op de koelkast, om persoonlijk letsel door vallen of elektrische schokken door contact met water te voorkomen.
- ▶ Trek niet aan de deurschappen. De deur kan scheefgetrokken worden, het flessenrek kan eruit worden getrokken, of het apparaat kan omvallen.



WAARSCHUWING!

- ▶ Bewaar of gebruik in het apparaat of in de buurt ervan geen brandbare, explosieve of corrosieve materialen.
- ▶ Bewaar geen geneesmiddelen, bacteriën of chemische middelen in het apparaat. Dit is een huishoudelijk apparaat. Het wordt niet aanbevolen om materialen op te slaan die strikte temperaturen vereisen.
- ▶ Bewaar vloeistoffen in flessen of blikjes (met uitzondering van sterke drank), met name koolzuurhoudende dranken, nooit in de vriezer, omdat deze tijdens het invriezen barsten.
- ▶ Controleer de staat van het voedsel als er sprake van opwarming is geweest in de vriezer.
- ▶ Stel de temperatuur in het koelkastgedeelte niet onnodig laag in. Bij een hoge instelling kunnen temperaturen onder nul optreden. Let op: Flessen kunnen barsten
- ▶ Raak geen bevroren producten aan met natte handen (draag handschoenen). Eet vooral ijsjes niet onmiddellijk na verwijdering uit het vriezergedeelte op. Er bestaat het risico op bevriezing of vriesblaren. Eerste hulp: houd onmiddellijk onder de koude kraan. Niet lostrekken!
- ▶ Raak het binnenoppervlak van het vriezergedeelte niet aan wanneer het in werking is, vooral niet met natte handen, omdat uw handen aan het oppervlak vast kunnen vriezen.
- ▶ Haal de stekker van het apparaat uit het stopcontact wanneer er een stroomonderbreking optreedt of voordat u het schoonmaakt. Laat het apparaat minstens 7 minuten rusten voordat u het opnieuw opstart, omdat vaak starten de compressor kan beschadigen.
- ▶ Gebruik geen elektrische toestellen in de bewaarruimten voor levensmiddelen van het apparaat, tenzij deze van het type zijn dat door de fabrikant wordt aanbevolen.
Onderhoud/reiniging
- ▶ Zorg ervoor dat kinderen onder toezicht staan als ze schoonmaak en onderhoud uitvoeren.
- ▶ Haal de stekker van het apparaat uit het stopcontact voordat u routineonderhoud uitvoert. Laat het apparaat minstens 5 minuten rusten voordat u het opnieuw opstart, omdat vaak starten de compressor kan beschadigen.
- ▶ Zorg er bij het neerzetten van het apparaat voor dat het netsnoer niet bekneld of beschadigd raakt.
- ▶ Plaats niet meerdere draagbare stopcontacten of draagbare voedingen op de achterkant van het apparaat.
- ▶ Gebruik geen elektrische apparaten in de bewaarruimten voor levensmiddelen van het apparaat, tenzij deze van het type zijn dat door de fabrikant wordt aanbevolen.
- ▶ Sla geen explosieve stoffen, zoals spuitbussen met een brandbaar drijfgas, op in dit apparaat.



WAARSCHUWING!

- ▶ Houd de stekker vast, niet het snoer, wanneer u de stekker uit het stopcontact haalt.
- ▶ Reinig het apparaat niet met harde borstels, draadborstels, waspoeder, benzine, amylacetaat, aceton en soortgelijke organische oplossingen, zure of alkalische oplossingen. Reinig het apparaat met een speciaal reinigingsmiddel voor koelkasten om schade te voorkomen.
- ▶ Schraap vorst en ijs niet af met scherpe voorwerpen. Gebruik geen sprays, elektrische verwarmingstoestellen zoals haardrogers, stoomreinigers of andere warmtebronnen om schade aan de kunststof onderdelen te voorkomen.
- ▶ Gebruik geen mechanische apparaten of andere middelen om het ontdooien te versnellen, behalve als deze door de fabrikant worden aanbevolen.
- ▶ Als het netsnoer beschadigd is, moet het worden vervangen door de fabrikant, diens servicevertegenwoordiger of vergelijkbaar gekwalificeerde personen om gevaar te voorkomen.
- ▶ Probeer het apparaat niet zelf te repareren, te demonteren of te wijzigen. In geval van reparatie kunt u contact opnemen met onze klantenservice.
- ▶ Verwijder het stof aan de achterkant van het toestel ten minste eenmaal per jaar om brandgevaar en een verhoogd energieverbruik te voorkomen.
- ▶ Spuit niet op het apparaat en spoel het niet af tijdens het reinigen.
- ▶ Gebruik geen waterstraal of stoom om het apparaat schoon te maken.
- ▶ Reinig de koude glazen planken niet met heet water. Door plotselinge temperatuurveranderingen kan het glas breken.

Informatie over koelgas



WAARSCHUWING!

Het apparaat bevat het brandbare koelmiddel ISOBUTAAN (R600a). Controleer of het koelcircuit tijdens transport of installatie niet is beschadigd. Lekkend koelmiddel kan oogletsel veroorzaken of ontbranden. Als er schade is opgetreden, weghouden van open vuurbronnen, de kamer grondig ventileren, de stekker van het apparaat of enig ander apparaat niet in het stopcontact steken of eruit halen. Informeer de klantenservice.

Als de ogen in contact komen met het koelmiddel, spoel het dan onmiddellijk onder stromend water af en bel onmiddellijk de oogspecialist.

Dit apparaat is bedoeld voor het koelen en invriezen van voedsel. Het is uitsluitend ontworpen voor gebruik in huishoudelijke en soortgelijke toepassingen, zoals personeelskeukens in winkels, kantoren en andere werkomgevingen; op boerderijen en door gasten in hotels, motels en andere woonomgevingen, maar ook in bed and breakfasts en bij cateringbedrijven. Het is niet bedoeld voor commercieel of industrieel gebruik.

Wijzigingen of aanpassingen aan het apparaat zijn niet toegestaan. Onbedoeld gebruik kan risico's en verlies van garantieclaims veroorzaken.

Normen en richtlijnen

Dit product voldoet aan de eisen van alle toepasselijke EG-richtlijnen met de bijbehorende geharmoniseerde normen, die voorzien in CE-markering.

KOPPELINGSPROCEDURE IN DE APP

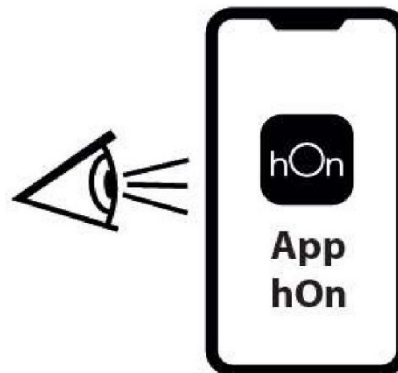
Stap 1 – Download de hOn-app in de stores



Stap 2 – Maak een account aan in de hOn-app of log in als u al een account hebt.



Stap 3 – Volg de koppelinstructies in de hOn-app

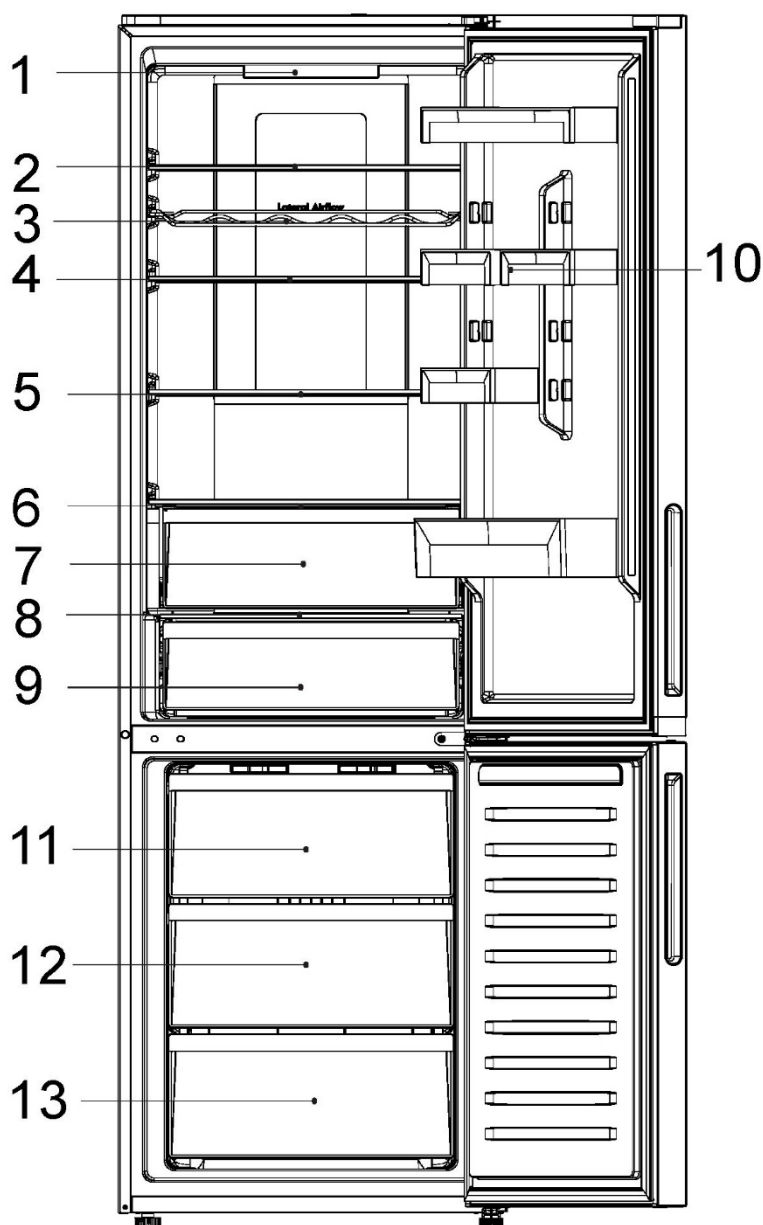


Radiomodule – Technische gegevens

Frequentiegraad (OFR)	2400 MHz–2843,5 MHz
Kanaalfrequenties	2412–2472 MHz (stapgrootte 5 MHz)
Maximaal vermogen (EIRP)	100 mW

i LET OP

Door technische wijzigingen en verschillende modellen kunnen sommige afbeeldingen in deze handleiding afwijken van uw model.



CNCQ4T620EX
 CNCQ4T620EB
 CNCQ4T620DX
 CNCQ4T620EW
 CNCQ4T620DW
 CNCQ4T620CX

A: Koelkastgedeelte

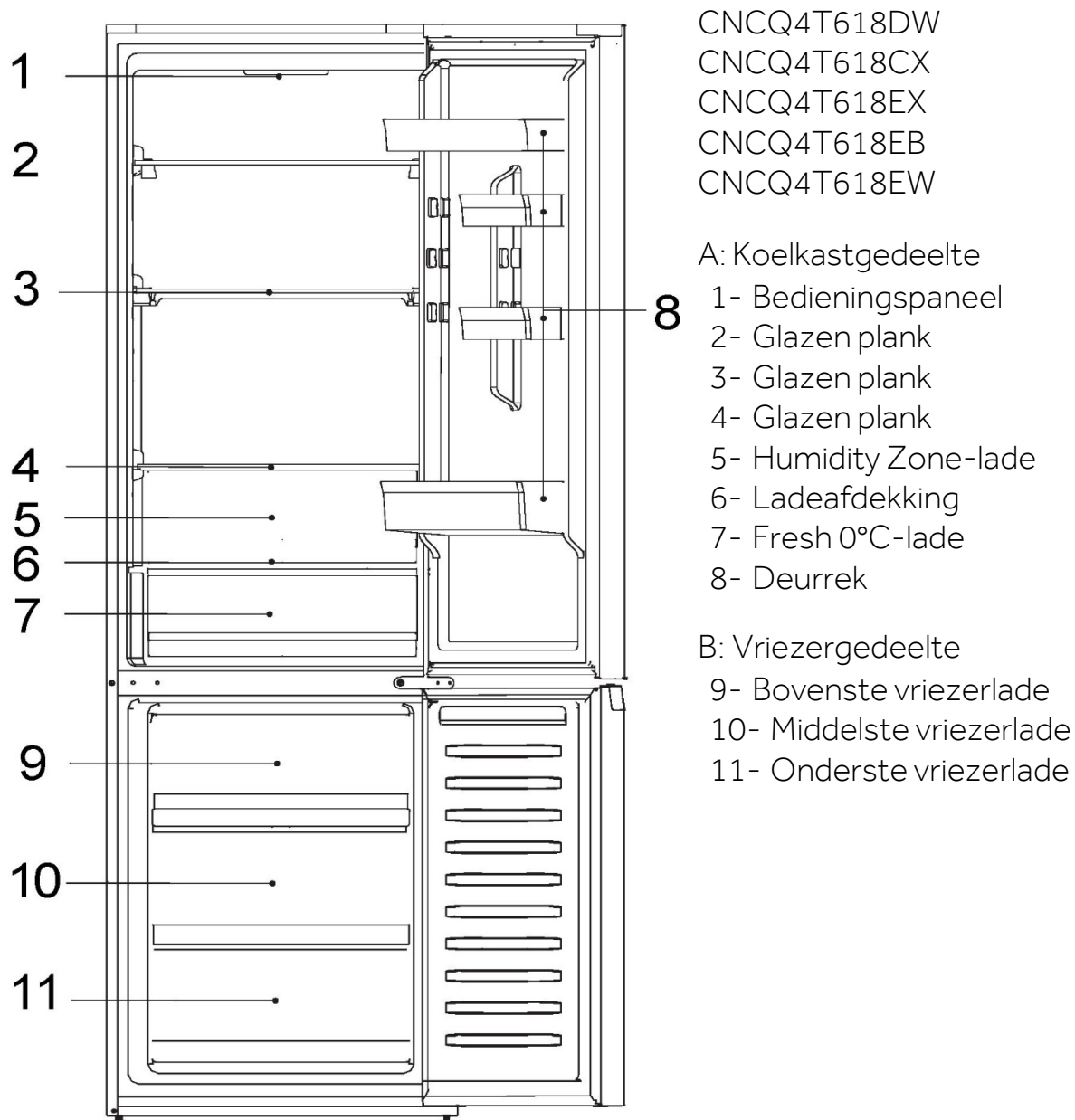
- 1- Bedieningspaneel
- 2- Glazen plank
- 3- Wijnrek
- 4- Glazen plank
- 5- Glazen plank
- 6- Ladeafdekking
- 7- Humidity Area-lade
- 8- Ladeafdekking
- 9- Fresh 0°C-lade
- 10- Deurrek

B: Vriezergedeelte

- 11- Bovenste vriezerlade
- 12- Middelste vriezerlade
- 13- Onderste vriezerlade

LET OP

Door technische wijzigingen en verschillende modellen kunnen sommige afbeeldingen in deze handleiding afwijken van uw model.



CNCQ4T618DW
 CNCQ4T618CX
 CNCQ4T618EX
 CNCQ4T618EB
 CNCQ4T618EW

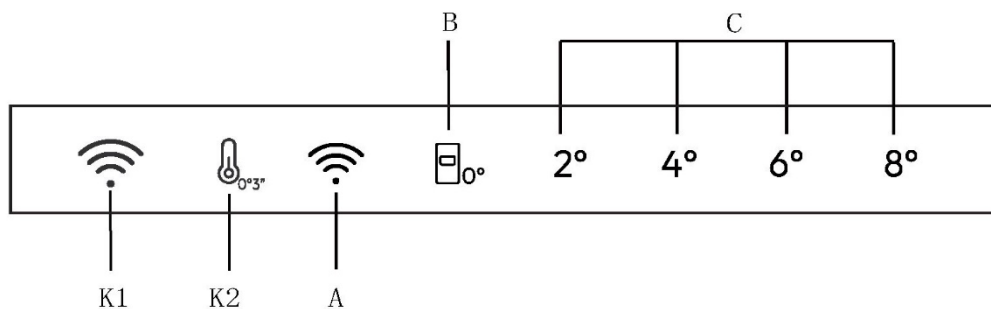
A: Koelkastgedeelte

- 8
- 1- Bedieningspaneel
 - 2- Glazen plank
 - 3- Glazen plank
 - 4- Glazen plank
 - 5- Humidity Zone-lade
 - 6- Ladeafdekking
 - 7- Fresh 0°C-lade
 - 8- Deurrek

B: Vriezergedeelte

- 9- Bovenste vriezerlade
- 10- Middelste vriezerlade
- 11- Onderste vriezerlade

Bedieningspaneel



Toetsen

- K1 Wififunctie aan/uit
- K2 Aan/uit-toets voor temperatuurselectie, gebruikt voor het aan-/uitzetten van Fresh 0°C-indicatoren
- A Wifidisplay

Indicatoren

- B Fresh 0°C-functie
- C Weergave koelkasttemperatuur

Vóór het eerste gebruik


- ▶ Verwijder alle verpakkingsmaterialen, houd ze buiten bereik van kinderen en gooi ze op een milieuvriendelijke manier weg.
- ▶ Reinig de binnen- en buitenkant van het apparaat, de binnenkant en de accessoires met water en een mild reinigingsmiddel, en droog deze delen goed af met een zachte doek.
- ▶ Nadat het apparaat waterpas is gezet en is schoongemaakt, moet u minstens 2 uur wachten voordat u het aansluit op het elektriciteitsnet. Raadpleeg hoofdstuk INSTALLATIE.
- ▶ Koel de compartimenten op hoge instellingen voor voordat u het voedsel erin zet.

Mechanische toetsen

De toetsen op het bedieningspaneel zijn mechanische toetsen.

Het apparaat in-/uitschakelen

Het apparaat werkt zodra het op de voeding is aangesloten.

Wanneer de koelkast voor het eerst wordt ingeschakeld, brandt de indicatoren '4' van 'B' (weergave koelkasttemperatuur) en de indicator  0° van de 0°C-lade.

De koelkasttemperatuur en vriezertemperatuur worden automatisch ingesteld op respectievelijk 4°C en -20°C wanneer de 0°C-lade in werking wordt gesteld.



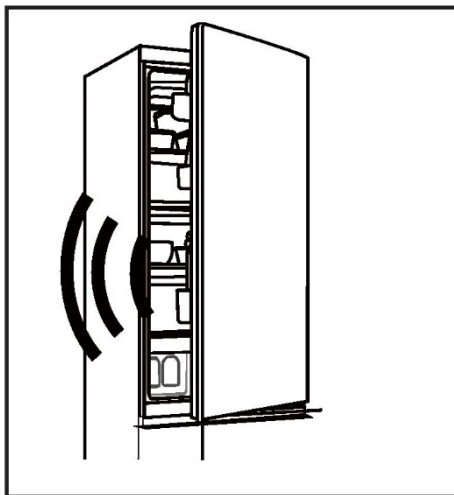
LET OP

Het apparaat is vooraf ingesteld op de aanbevolen temperatuur van 4°C. Dit zijn de aanbevolen instellingen. Als u wilt, kunt u deze temperaturen handmatig veranderen.

Alarm 'Deur open'

Wanneer de deur van de koelkast langer dan 3 minuten open staat, klinkt het alarm voor deur open.

Het alarm kan worden uitgeschakeld door de deur te sluiten. Als de deur langer dan 7 minuten open staat, worden het licht in de koelkast en de verlichting van het bedieningspaneel automatisch uitgeschakeld.



Aan/uit

Als het apparaat aan staat, druk dan 3 seconden op de K1-toets: het apparaat gaat in de standby-modus, de compressor stopt met werken en het lampje gaat uit. Als het apparaat in de standby-modus staat, druk dan 3 seconden op de K1-toets: het apparaat gaat aan, de compressor werkt en het lampje gaat branden.

De temperatuur aanpassen

De binnentemperaturen worden beïnvloed door de volgende factoren:

Omgevingstemperatuur


Frequentie van het openen van de deur
Hoeveelheid opgeslagen voedsel
Installatie van het apparaat

De temperatuur van het koelkast-/vriezergedeelte instellen

1. Druk op de toets "K2" (selectie koelkasttemperatuur) om de koelkasttemperatuur te selecteren;
2. Indicator "B" (weergave koelkasttemperatuur) licht afwisselend op zoals hieronder;
 $2^{\circ} \rightarrow 4^{\circ} \rightarrow 6^{\circ} \rightarrow 8^{\circ}$
3. Wanneer de koelkasttemperatuur vanaf het bedieningspaneel wordt geselecteerd, is de bijbehorende temperatuur voor de vriezer als volgt: $2^{\circ}(-22^{\circ}) \rightarrow 4^{\circ}(-20^{\circ}) \rightarrow 6^{\circ}(-18^{\circ}) \rightarrow 8^{\circ}(-16^{\circ})$.

Fresh 0°C-functie

Om de '0°C'-modus te openen, houdt u met de koelkastdeur open de K2-toets 3 seconden ingedrukt, waarna een akoestisch signaal klinkt en de indicator  gaat branden. De temperatuur van Fresh 0°C zal in de buurt van 0°C komen.

Om de '0°C'-modus te verlaten, houdt u met de koelkastdeur open de K2-toets 3 seconden ingedrukt, waarna een akoestisch signaal klinkt en de indicator  uit gaat. De temperatuur van de '0°C'-lade verandert met de temperatuur van de koelkast.

Instelling aanpassen

Nadat de wifi van de koelkast met succes is verbonden, kunt u de instelling aanpassen via de app. Na de aanpassing zullen de C-indicatoren C op het display uit gaan. Het deurlampje knippert één keer voor elke succesvolle aangepast instelling.

Het instelbare bereik van de koelkast is 2°, 3°, 4°, 5°, 6°, 7°, 8°.

Het instelbare bereik van de vriezer is -24°, -23°, -22°, -21°, -20°, -19°, -18°, -17°, -16°.

De Fresh 0°C-functie kan worden geactiveerd of gedeactiveerd.

De Super Freeze-functie

1. Vers voedsel moet zo snel mogelijk tot de kern worden ingevroren. Zo blijven de voedingswaarde, het uiterlijk en de smaak het best behouden. De Super Freeze-functie versnelt het invriezen van vers voedsel en beschermt de reeds opgeslagen producten tegen ongewenste opwarming. Als u in één keer een grote hoeveelheid voedsel moet invriezen, is het raadzaam de Super Freeze-functie 24 uur vóór het gebruik van het vriezergedeelte in te stellen.

2. U kunt de Super Freeze-functie activeren via de app en op dat moment gaan de C-pictogrammen op het display uit.



LET OP

1. Het apparaat stopt met de Super Freeze-functie nadat het 50 uur lang in de Super Freeze-functie heeft gewerkt. U kunt ook op 'K2' drukken of de functie uitschakelen via de app.
2. In de Super Freeze-modus kunt u de temperatuur van het vriezergedeelte niet aanpassen.

De Super Cool-functie

1. Het wordt aangeraden om de Super Cool-functie in te schakelen als er een grotere hoeveelheid voedsel moet worden opgeslagen (bijvoorbeeld na de aankoop). De Super Cool-functie versnelt het koelen van vers voedsel en beschermt het al opgeslagen voedsel tegen ongewenste opwarming.
2. U kunt de Super Cool-functie activeren via de app en op dat moment gaan de C-pictogrammen op het display uit.



LET OP

1. Het apparaat stopt met de Super Cool-functie nadat het 6 uur lang in de Super Cool-functie heeft gewerkt. U kunt ook op 'K2' drukken of de functie uitschakelen via de app.
2. In de Super Cool-modus kunt u de temperatuur van het koelkastgedeelte niet aanpassen.

Holiday-functie

De Holiday-functie kan worden gebruikt om het energieverbruik van het apparaat te verminderen, als het niet regelmatig wordt gebruikt. Wanneer de functie ingeschakeld is, is de koelkast uitgeschakeld, terwijl de diepvriezer normaal blijft werken. De functie stelt de koelkasttemperatuur permanent in op 17°C.

U kunt de Holiday-functie activeren via de app en op dat moment gaan de C-pictogrammen op het display uit.



LET OP

De functie kan worden uitgeschakeld door de koelkasttemperatuur in te stellen of door een andere instelling uit te voeren of door de functie uit te schakelen in de app. Als de Holiday-modus is ingeschakeld, is het koelkastlampje uit.

Wifiverbindingsfunctie

Als de deur van de koelkast open is, houdt u 'K1' 3 seconden lang ingedrukt. De koelkast geeft een piepton af, het pictogram A knippert snel en de wifi gaat naar de configuratiestatus.

Tips voor alarm en storingen bij een open deur

Als de koelkastdeur 3 minuten open staat, geeft de koelkast een pieptonen af. Tegelijkertijd knippert het deurindicatielampje. Als de deur na 13 minuten nog steeds open staat, dan geeft de koelkast geen piepgeluid meer. Het deurindicatielampje blijft wel knipperen.

Als de koelkastdeur dicht is en de koelkast nog steeds pieptonen afgeeft of het deurindicatielampje blijft knipperen, dan zijn mogelijk onderdelen van de koelkast defect. Neem zo snel mogelijk contact op met de klantenservice. Geheugen na stroomstoring

Wanneer de koelkast wordt uitgeschakeld, wordt de bedrijfsstatus ten tijde van de stroomstoring opgeslagen en wanneer de stroom weer wordt ingeschakeld, werkt de koelkast nog steeds volgens de ingestelde instelling en functiestatus van voor de stroomstoring.

Tips voor het bewaren van vers voedsel

Bewaren in het koelkastgedeelte

Houd de koelkasttemperatuur lager dan 5°C.

Laat warm voedsel afkoelen tot kamertemperatuur voordat u het in het apparaat opbergt.

In de koelkast opgeslagen levensmiddelen moeten worden gewassen en afgedroogd voordat zij worden opgeborgen.

Het te bewaren voedsel moet goed afgesloten zijn om geur- of smaakveranderingen te voorkomen.

Bewaar geen overmatige hoeveelheden voedsel. Laat ruimtes tussen voedingswaren zodat er koude lucht omheen kan stromen, voor een betere en gelijkmatiger koeling.

Voedsel dat dagelijks wordt gegeten moet worden bewaard aan de voorkant van de plank.

Laat ruimte tussen voedingswaren en de binnenwanden, zodat lucht kan stromen. Bewaar met name geen voedsel tegen de achterwand: voedsel kan tegen achterwand bevriezen. Vermijd direct contact tussen voedsel (met name vette of zure voedingsproducten) met de binnenvoering, omdat olie/zuur de binnenvoering kan beschadigen. Haal vet en zuur vuil altijd weg wanneer het wordt ontdekt.

Bevroren voedsel kan voorzichtig worden ontdooid in het koelkastgedeelte. Dit bespaart energie.

Het rijpingsproces van groenten en fruit zoals courgette, meloen, papaja, banaan, ananas, etc. kan in de koelkast versneld worden. Daarom wordt het niet aanbevolen om deze in de koelkast te bewaren. Het rijpen van onrijp fruit kan echter wel worden versneld gedurende een bepaalde periode. Uien, knoflook, gember en andere wortelgroenten moeten ook bij kamertemperatuur worden bewaard.

Onaangename geurtjes in de koelkast zijn een teken dat er iets is gemorst en moet worden schoongemaakt. Zie 'Onderhoud en reiniging'.

Verschillende voedingswaren moeten op verschillende plaatsen worden geplaatst naargelang de eigenschappen ervan.

Bewaren in het vriezergedeelte

- Houd de temperatuur van de vriezer op -18°C.
- Warm voedsel moet eerst worden afgekoeld tot kamertemperatuur voordat het in het vriezergedeelte kan worden bewaard.



- Voedsel dat in kleine porties is gesneden zal sneller bevroren en is gemakkelijker te ontdooien en bereiden. Het aanbevolen gewicht per portie bedraagt minder dan 2,5 kg
- Het is beter om voedsel te verpakken voordat u het in de vriezer plaatst. De buitenkant van de verpakking moet droog zijn om te voorkomen dat de zakken aan elkaar blijven plakken. Verpakkingsmaterialen moeten geurvrij, luchtdicht, niet-giftig en niet-toxisch zijn.
- Schrijf om overschrijden van de houdbaarheidstermijnen te voorkomen de invriesdatum, de tijdlimiet en de naam van het voedsel op de verpakking volgens de bewaartermijnen van de verschillende levensmiddelen.



WAARSCHUWING!

- Zuren, basen en zout, etc. kunnen het interne oppervlak van de vriezer wegvreten.
- Plaats voedsel met deze stoffen (bijv. zeevis) niet direct tegen de binnenzijde. Zout water in de diepvriezer moet onmiddellijk worden verwijderd.
- Overschrijd niet de door de fabrikanten aanbevolen bewaartijd van levensmiddelen. Neem alleen de benodigde hoeveelheid voedsel uit de vriezer.
- Gebruik ontdooide etenswaren zo snel mogelijk. Ontdooid voedsel mag niet opnieuw worden ingevroren, tenzij het eerst wordt bereid; anders is het mogelijk niet meer eetbaar.
- Plaats geen overmatige hoeveelheden vers voedsel in het vriezergedeelte. Zie de vriescapaciteit van de diepvriezer – zie TECHNISCHE GEGEVENS of de gegevens op het typeplaatje.
- Levensmiddelen kunnen bij een temperatuur van ten minste -18°C gedurende 2 tot 12 maanden in de vriezer worden bewaard, afhankelijk van de eigenschappen (bijv. vlees: 3–12 maanden, groenten: 6–12 maanden).
- Vermijd bij het invriezen van vers voedsel dat het in contact komt met al ingevroren levensmiddelen. Risico op ontdooien!

Volg de volgende richtlijnen bij het opslaan van commercieel ingevroren levensmiddelen:

- Volg altijd de richtlijnen van de fabrikanten voor hoe lang u het voedsel kunt bewaren. Overschrijd deze richtlijnen niet!
- Probeer de tijd tussen aankoop en opslag zo kort mogelijk te houden om de voedselkwaliteit te behouden.
- Koop alleen diepvriesproducten die bij een temperatuur van -18°C of lager zijn bewaard.
- Vermijd het kopen van voedsel dat ijs of rijp op de verpakking heeft. Dit wijst erop dat de producten op een bepaald moment gedeeltelijk ontdooid en opnieuw ingevroren kunnen zijn – temperatuurstijgingen hebben invloed op de kwaliteit van het voedsel.

De wifimodus instellen

KOPPELINGSPROCEDURE IN DE APP

Stap 1 – Download de hOn-app in de stores



Stap 2 – Maak een account aan in de hOn-app of log in als u al een account hebt.



Stap 3 – Volg de koppelingsinstructies in de hOn-app

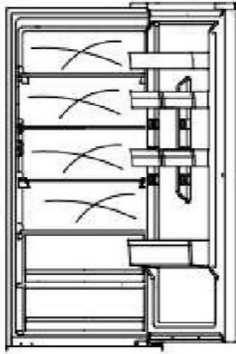


Radiomodule – Technische gegevens

Frequentiegraad (OFR)	2400 MHz–2843,5 MHz
Kanaalfrequenties	2412–2472 MHz (stapgrootte 5 MHz)
Maximaal vermogen (EIRP)	100 mW

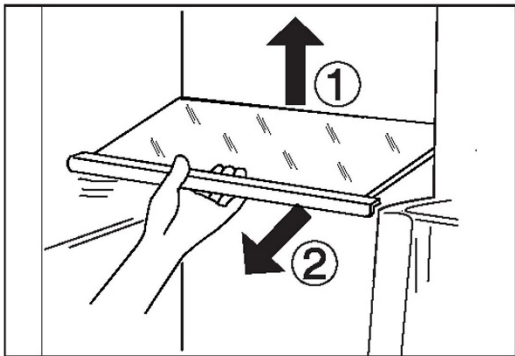
i LET OP

Als gevolg van verschillende modellen, heeft uw product mogelijk niet alle volgende functies. Zie hoofdstuk 'Productbeschrijving'.



Meervoudige luchtstroom

De koelkast is uitgerust met een meervoudige-luchtstroomsysteem, waarmee er op elke plank koude luchtstromen zijn. Dit helpt om een gelijkmatige temperatuur te handhaven om ervoor te zorgen dat uw voedsel langer vers blijft.

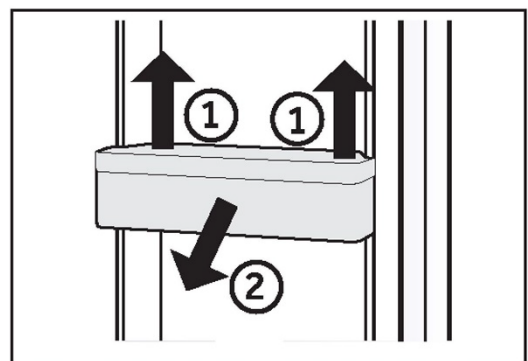


Verstelbare planken

1. De hoogte van de planken kan worden aangepast aan uw opslagbehoeften.
2. Om een plank te verplaatsen, verwijdert u hem eerst door de achterrand ① op te tillen en de plank eruit te trekken ②.
3. Om hem weer te installeren, plaatst u hem op de nokjes aan beide kanten en duwt u hem helemaal naar achteren tot de achterkant van de plank vastzit in de gleuven in de zijkanten.

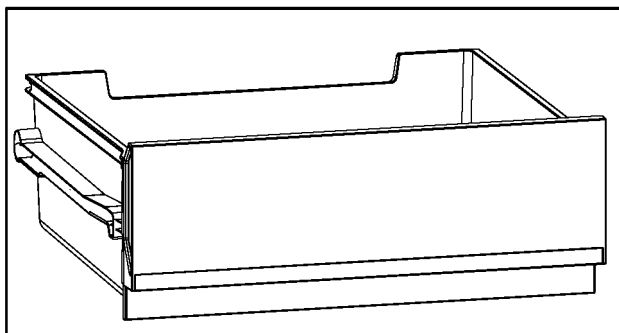
Verwijderbare deurrekken/fleshouder

1. De deurrekken kunnen worden verwijderd om te worden schoongemaakt:
2. Plaats uw handen aan beide kanten van het rek, til het omhoog ① en trek het eruit ②.
3. Voer de bovenstaande stappen in omgekeerde volgorde uit om het deurrek weer terug te plaatsen.



Koelkastlade

Raadpleeg het hoofdstuk 'GEBRUIK' voor het gebruiken en instellen van het koelkastgedeelte.



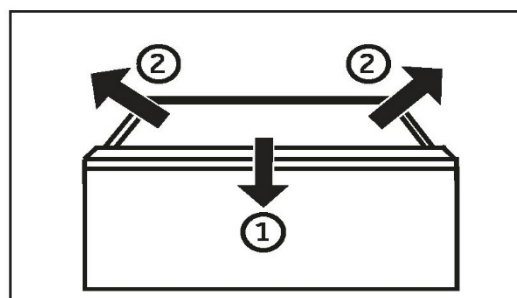
Vriezerlade

De vriezerlade kan er rechtuit volledig worden uitgetrokken. Hij is gemonteerd op gemakkelijk glijdende, uitschuifbare rails, zodat u de diepvriesproducten comfortabel kunt bewaren en uit de lade kunt verwijderen. Door het automatische deursluitmechanisme is de bediening eenvoudig en bespaart u energie.

Verwijderbare lade

Om de lade te verwijderen, trekt u deze zo ver mogelijk naar buiten **①**, daarna optillen en verwijderen **②**.

Voer de bovenstaande stappen in omgekeerde volgorde uit om lade weer terug te plaatsen.



WAARSCHUWING!

De lades niet overbelasten: Maximale belasting van elke lade: 35 kg!

De verlichting

De led-binnenverlichting gaat branden als de deur wordt geopend. De werking van de verlichting wordt niet beïnvloed door een van de andere instellingen van het apparaat.



Tips voor energiebesparing

- ▶ Zorg ervoor dat het apparaat goed wordt geventileerd (raadpleeg INSTALLATIE).
- ▶ Installeer het apparaat niet in direct zonlicht of in de buurt van warmtebronnen (bijv. kachels, verwarmingstoestellen).
- ▶ Vermijd onnodig lage temperaturen in het apparaat. Het energieverbruik neemt toe naarmate de temperatuur in het apparaat lager is ingesteld.
- ▶ Laat warm voedsel afkoelen voordat u het in de koelkast plaatst.
- ▶ Open de deur van het apparaat zo weinig en zo kort mogelijk.
- ▶ Vul het apparaat niet te vol om te voorkomen dat de luchtdoorstroming wordt geblokkeerd.
- ▶ Vermijd lucht in de verpakking van het voedsel.
- ▶ Houd de deurpakking schoon, zodat de deur altijd goed sluit.
- ▶ De meest energiebesparende configuratie vereist dat de lade, de bak en de planken als nieuw in het apparaat worden geplaatst en dat voedsel zo wordt geplaatst dat het de luchtuitlaat van het luchtkanaal niet blokkeert.



WAARSCHUWING!

Haal de stekker van het apparaat uit het stopcontact voordat u het reinigt.

Reinigen

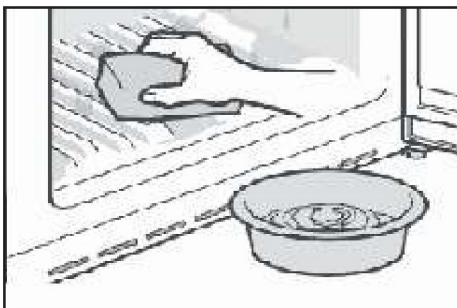
Reinig het apparaat als er weinig of geen voedsel in is opgeslagen.

Het apparaat moet om de vier weken worden schoongemaakt voor een goed onderhoud en om nare voedselgeuren te voorkomen.



WAARSCHUWING!

- ▶ Reinig het apparaat niet met harde borstels, draadborstels, waspoeder, benzine, amylacetaat, aceton en soortgelijke organische oplossingen, zure of alkalische oplossingen. Reinig het apparaat met een speciaal reinigingsmiddel voor koelkasten om schade te voorkomen.
- ▶ Spuit niet op het apparaat en spoel het niet af tijdens het reinigen.
- ▶ Gebruik geen waterstraal of stoom om het apparaat schoon te maken.
- ▶ Reinig de koude glazen planken niet met heet water. Door plotselinge temperatuurveranderingen kan het glas breken.
- ▶ Raak het binnenoppervlak van het vriezergedeelte niet aan, vooral niet met natte handen, omdat uw handen aan het oppervlak vast kunnen vriezen.



- ▶ Houd de deurpakking altijd schoon.
- ▶ Reinig de binnenkant en behuizing van het apparaat met een spons die is bevochtigd in warm water en een neutraal reinigingsmiddel.
- ▶ Was de binnenkant en buitenkant van de koelkast, waaronder deurrubbers, deurrek, glazen planken, bakken enzovoort, met een zachte handdoek of spons die in warm water is gedrenkt (u mag een neutraal schoonmaakmiddel toevoegen aan het warme water).
- ▶ Als er vloeistof is gemorst, verwijder dan alle verontreinigde onderdelen en spoel ze direct af met het stromend water. Daarna afdrogen en terug in de koelkast plaatsen.
- ▶ Als er room (zoals koffiemelk, smeltend ijs) wordt gemorst, moeten alle verontreinigde delen worden verwijderd. Zet ze een tijdje in warm water van ongeveer 40°C en spoel vervolgens af met stromend water. Daarna afdrogen en terug in de koelkast plaatsen.
- ▶ Als een klein deeltje of onderdeel vast komt te zitten in de koelkast (tussen planken of laden), gebruik dan een klein, zacht borsteltje om het weg te halen. Als u het onderdeel niet kan bereiken, neem dan contact op met de klantenservice van Haier.
- ▶ Spoel af en droog af met een zachte doek.
- ▶ Reinig de onderdelen van het apparaat niet in een vaatwasser.
- ▶ Laat het apparaat minstens 7 minuten rusten voordat u het opnieuw opstart, omdat vaak opstarten de compressor kan beschadigen.

Ontdooien

Het ontdooien van de koelkast en het vriezergedeelte gebeurt automatisch; er is geen handmatige actie nodig.

De ledlampjes vervangen



WAARSCHUWING!

Vervang de ledlamp niet zelf, deze mag alleen worden vervangen door de fabrikant of door de erkende servicevertegenwoordiger.

De lamp heeft een led als lichtbron, met een laag energieverbruik en een lange levensduur. Als er sprake is van een afwijking, neem dan contact op met de klantenservice. Zie KLANTENSERVICE.

Parameters van de lampen:

Koelkastgedeelte: 12 V max. 1,5 W

Geen gebruik voor een langere periode

Als het apparaat gedurende langere tijd niet wordt gebruikt:

Haal het voedsel eruit.

Haal de stekker van het netsnoer uit het stopcontact.

Reinig het apparaat zoals hierboven beschreven.

Houd de deuren open om de vorming van nare geuren binnenin te voorkomen.



LET OP

Schakel het apparaat alleen uit als dat echt nodig is.

Het apparaat verplaatsen

1. Verwijder alle etenswaren en haal de stekker van het apparaat uit het stopcontact.
2. Maak planken en andere beweegbare delen in de koelkast en vriezer vast met plakband.
3. Kantel de koelkast niet meer dan 45° om schade aan het koelsysteem te voorkomen.



WAARSCHUWING!

- ▶ Til het apparaat niet op aan de grepen.
- ▶ Plaats het apparaat nooit horizontaal op de grond.

Veel problemen kunnen door uzelf worden opgelost zonder specifieke expertise. Raadpleeg in geval van een probleem alle getoonde mogelijkheden en volg de onderstaande instructies voordat u contact opneemt met de klantenservice. Zie KLANTENSERVICE.



WAARSCHUWING!

- ▶ Schakel het apparaat uit voordat u onderhoud uitvoert en haal de stekker uit het stopcontact.
- ▶ Elektrische apparatuur mag alleen worden onderhouden door gekwalificeerde elektrische experts, omdat onjuiste reparaties aanzienlijke gevolgschade kunnen veroorzaken.
- ▶ Als de voeding beschadigd is, mag deze alleen worden vervangen door de fabrikant, diens servicevertegenwoordiger of vergelijkbaar gekwalificeerde personen om gevaar te voorkomen.

Probleem	Mogelijke oorzaak	Mogelijke oplossing
De compressor werkt niet.	<ul style="list-style-type: none"> • De netstekker is niet aangesloten op het stopcontact. • Het apparaat is aan het ontdooien. 	<ul style="list-style-type: none"> • Steek de stekker in het stopcontact. • Dit is normaal voor automatisch ontdooien.
Het apparaat loopt vaak of te lang.	<ul style="list-style-type: none"> • De binnen- of buiten-temperatuur is te hoog. • Het apparaat is een tijd lang niet ingeschakeld geweest. • Een deur van het apparaat is niet goed gesloten. • De deur is te vaak of te lang geopend. • De temperatuurinstelling voor het vriezergedeelte is te laag. • De deuropakking is vuil, versleten, gebarsten of niet goed uitgelijnd. • De vereiste luchtcirculatie is niet gegarandeerd. 	<ul style="list-style-type: none"> • In dit geval is het normaal dat het apparaat langer werkt. • Normaal gesproken duurt het 8–12 uur voordat het apparaat volledig is afgekoeld. • Sluit de deur/lade en zorg ervoor dat het apparaat op een vlakke ondergrond staat en dat er geen etenswaren of voedselbakjes de deur blokkeren. • Open de deur/lade niet te vaak. • Stel de temperatuur hoger in totdat een toereikende koelkasttemperatuur is bereikt. Het duurt 24 uur voordat de koelkasttemperatuur stabiel is. • Reinig de deur-/ladepakkingen of laat ze vervangen door de klantenservice. • Zorg voor voldoende ventilatie.



Probleem	Mogelijke oorzaak	Mogelijke oplossing
De binnenkant van de koelkast is vies en/of stinkt.	<ul style="list-style-type: none"> • De binnenkant van de koelkast moet worden schoongemaakt. • Er wordt voedsel met een sterke geur bewaard in de koelkast. 	<ul style="list-style-type: none"> • Reinig de binnenkant van de koelkast. • Verpak het voedsel goed.
Het is niet koud genoeg in het apparaat.	<ul style="list-style-type: none"> • De temperatuur is te hoog ingesteld. • Er zijn te warme producten opgeslagen. • Er is te veel voedsel in één keer bewaard. • De producten zijn te dicht bij elkaar geplaatst. • Een deur/lade van het apparaat zit niet goed dicht. • De deur/lade is te vaak of te lang geopend. 	<ul style="list-style-type: none"> • Stel de temperatuur opnieuw in. • Koel de producten altijd af voordat u ze opbergt. • Bewaar altijd kleine hoeveelheden voedsel. • Laat een gat tussen verschillende voedingsmiddelen waardoor lucht kan stromen. • Sluit de deur/lade. • Open de deur/lade niet te vaak.
Het is te koud in het apparaat.	<ul style="list-style-type: none"> • De temperatuur is te laag ingesteld. 	<ul style="list-style-type: none"> • Stel de temperatuur opnieuw in.
Vochtvorming aan de binnenkant van het koelkastgedeelte.	<ul style="list-style-type: none"> • Het klimaat is te warm en te vochtig. • Een deur/lade van het apparaat zit niet goed dicht. • De deur/lade is te vaak of te lang geopend. • Voedselbakjes of vloeistoffen zijn open gelaten. 	<ul style="list-style-type: none"> • Verhoog de temperatuur. • Sluit de deur/lade. • Open de deur/lade niet te vaak. • Laat warm voedsel afkoelen tot kamertemperatuur en dek voedsel en vloeistoffen af.
Vocht hoopt zich op het oppervlak aan de buitenkant van de koelkast en tussen de deuren/deur en lade op.	<ul style="list-style-type: none"> • Het klimaat is te warm en te vochtig. • De deur is niet goed gesloten. De koude lucht in het apparaat en de warme lucht buiten condenseert. 	<ul style="list-style-type: none"> • Dit is normaal in een vochtig klimaat en zal veranderen wanneer de luchtvochtigheid daalt. • Zorg dat de deur/lade goed dicht zit.



Probleem	Mogelijke oorzaak	Mogelijke oplossing
Veel ijs en rijp in het vriezergedeelte.	<ul style="list-style-type: none">• De etenswaren zijn niet goed verpakt.• Een deur/lade van het apparaat zit niet goed dicht.• De deur/lade is te vaak of te lang geopend.• De deur-/ladepakkingen zijn vuil, versleten, gebarsten of niet goed op elkaar afgestemd.• Iets aan de binnenkant voorkomt dat de deur/lade goed kan sluiten.	<ul style="list-style-type: none">• Verpak de etenswaren altijd goed.• Sluit de deur/lade.• Open de deur/lade niet te vaak.• Reinig de deur-/ladepakkingen of vervang ze door nieuwe.• Verplaats de planken, deurrekken of interne container zodat de deur/lade kan worden gesloten.
De zijkanten van de kast en de deurstrip worden warm.	<ul style="list-style-type: none">• -	<ul style="list-style-type: none">• Dit is normaal.
Het apparaat maakt afwijkende geluiden.	<ul style="list-style-type: none">• Het apparaat staat niet op een vlakke ondergrond.• Het apparaat raakt voorwerpen rondom.	<ul style="list-style-type: none">• Stel de pootjes af om het apparaat waterpas te zetten.• Verwijder voorwerpen rondom het apparaat.
Er is een licht geluid te horen dat lijkt op dat van stromend water.	<ul style="list-style-type: none">• -	<ul style="list-style-type: none">• Dit is normaal.
U hoort een alarm-pieptoon.	<ul style="list-style-type: none">• De deur van het koelkastgedeelte staat open.	<ul style="list-style-type: none">• Sluit de deur.
U hoort een zacht gebrom.	<ul style="list-style-type: none">• Het anticondensatiesysteem is aan het werk.	<ul style="list-style-type: none">• Dit voorkomt condensatie en is normaal.
De binnenverlichting of het koelsysteem werkt niet.	<ul style="list-style-type: none">• Het apparaat is in demomodus.	<ul style="list-style-type: none">• De koelkast is aangesloten op de stroom en de deur van de koelkast is open.• Houd de toets 'K1' ingedrukt en druk vijf keer op de toets 'K2', waarna het pictogram niet meer cirkelvormig oplicht.
De binnenverlichting of het koelsysteem werkt niet.	<ul style="list-style-type: none">• De netstekker is niet aangesloten op het stopcontact.• De voeding is niet intact.• Het ledlampje is buiten werking.	<ul style="list-style-type: none">• Steek de stekker in het stopcontact.• Controleer de elektrische voeding naar de kamer. Bel het plaatselijke elektriciteitsbedrijf!• Bel de klantenservice om het lampje te laten vervangen.



Ga naar onze website om contact op te nemen met de technische dienst:
<https://corporate.haier-europe.com/en/>.

Kies onder de kop 'website' het merk van uw product en uw land. U wordt doorgestuurd naar de specifieke website waar u het telefoonnummer kunt vinden en contact kunt opnemen met de technische dienst.

Stroomonderbreking

In het geval van een stroomstoring, zou voedsel ongeveer 5 uur lang veilig koud moeten blijven. Volg de volgende tips tijdens een langdurige stroomstoring, vooral in de zomer:

- ▶ Open de deur/lade zo weinig mogelijk.
- ▶ Plaats geen extra voedsel in het apparaat tijdens een stroomstoring.
- ▶ Als een stroomstoring vooraf wordt aangekondigd en de onderbrekingsduur langer is dan 5 uur, maak dan ijs en zet dit in een bak boven in het koelkastgedeelte.
- ▶ Onmiddellijk na de onderbreking is een controle van de producten vereist.
- ▶ Aangezien de temperatuur in de koelkast stijgt tijdens een stroomonderbreking of een andere storing, wordt de bewaarperiode en de eetbare kwaliteit van voedsel nadelig beïnvloedt. Alle levensmiddelen die ontdooien moeten worden gegeten, of worden bereid en daarna zo snel mogelijk opnieuw worden ingevroren (indien van toepassing) om gezondheidsrisico's te voorkomen.

Geheugenfunctie tijdens de stroomonderbreking

Na herstel van de stroom gaat het apparaat door met de instellingen die waren ingesteld voor de stroomstoring.

Uitpakken



WAARSCHUWING!

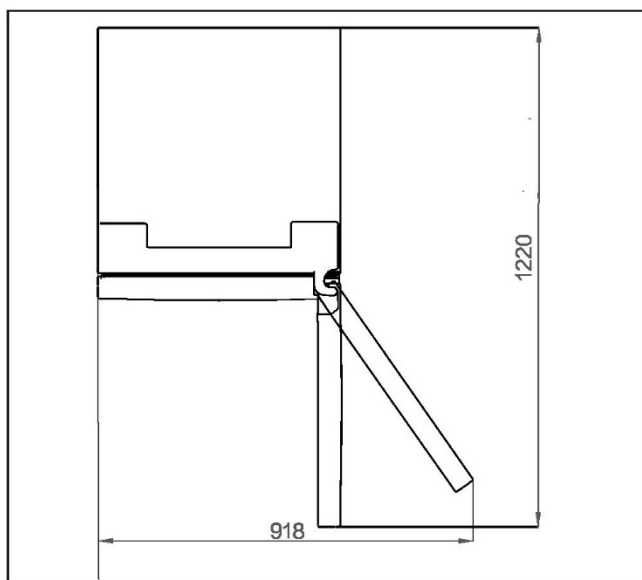
- ▶ Het apparaat is zwaar. Altijd hanteren met ten minste twee personen.
- ▶ Houd alle verpakkingsmaterialen buiten bereik van kinderen en gooi ze op een milieuvriendelijke manier weg.
- ▶ Haal het apparaat uit de verpakking.
- ▶ Verwijder al het verpakkingsmateriaal.

Omgevingsomstandigheden

De kamertemperatuur moet altijd tussen 10°C en 43°C zijn voor deze koelkast, zoals CNCQ2T620EX, CNCQ2T620EW, CNCQ2T618EX, CNCQ4T618EW, CNCQ4T618EB; of de kamertemperatuur moet altijd tussen 10°C en 38°C zijn voor deze koelkast, bijvoorbeeld CNCQ4T620DX, CNCQ4T620DW, omdat dit de temperatuur in het apparaat en het energieverbruik kan beïnvloeden. Installeer het apparaat niet in de buurt van andere warmtebronnen (ovens, koelkasten) zonder isolatie.

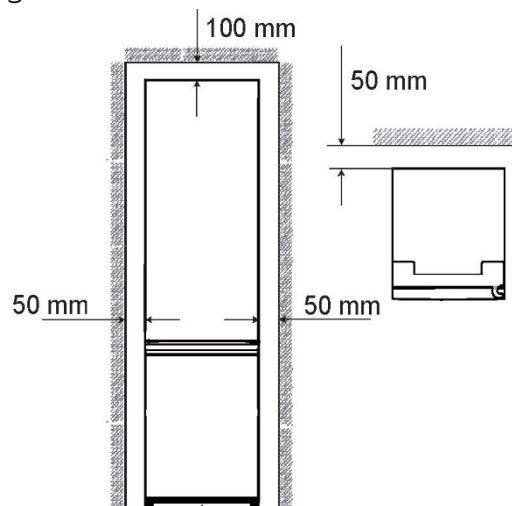
Benodigde ruimte

Aanbevolen ruimte als de deur wordt



Doorsnede van ventilatie

Om voor de veiligheid voldoende ventilatie van het apparaat te bereiken, moet de informatie over de ventilatiedoorsneden in acht worden genomen.

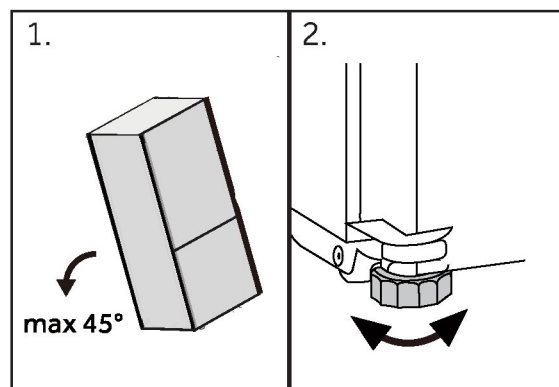


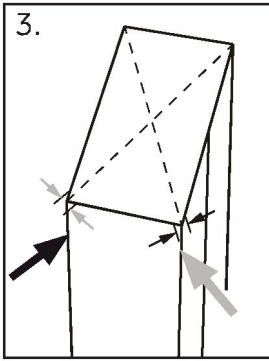
Het apparaat uitlijnen

Plaats het apparaat op een vlakke en stevige ondergrond.

1. Kantel de koelkast iets naar achteren.
2. Stel de voeten in op het gewenste niveau.

Zorg dat de afstand tot de wand aan de scharnierzijde ten minste 100 mm is om de deur goed te kunnen openen.



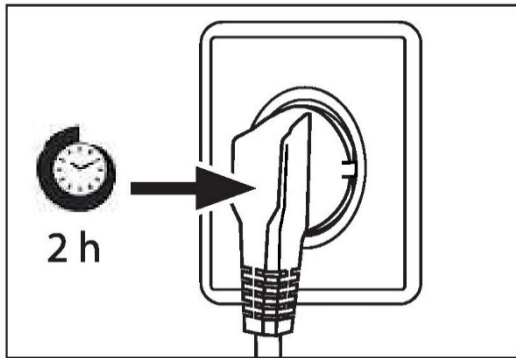


1. De stabiliteit kan worden gecontroleerd door afwisselend op de diagonalen te duwen. De lichte slingering moet in beide richtingen hetzelfde zijn. Anders kan het frame kromtrekken, met mogelijk lekkende deurafdichtingen als resultaat. Een kleine helling naar achteren vergemakkelijkt het sluiten van de deuren.



LET OP

Bij een vrijstaand apparaat: dit koelapparaat is niet bedoeld voor gebruik als inbouwapparaat.



Wachttijd

De onderhoudsvrije smeerolie bevindt zich in de behuizing van de compressor. Deze olie kan door het gesloten buissysteem komen bij liggend transport. Voordat u het apparaat op de voeding aansluit, moet u ten minste 2 uur wachten zodat de olie weer in de behuizing loopt.

Elektrische aansluiting

Controleer vóór elke aansluiting of:

- ▶ voeding, stopcontact en zekering geschikt zijn volgens het typeplaatje;
- ▶ het stopcontact is geaard en er geen stekkerdoos of verlengsnoer is;
- ▶ de stekker en het stopcontact goed passen.

Sluit de stekker aan op een correct geïnstalleerd huishoudelijk stopcontact.



WAARSCHUWING!

Om risico's te vermijden moet een beschadigd netsnoer worden vervangen door de klantenservice (zie garantiekartaar).

Omkeerbaarheid van de deur

Voordat u het apparaat aansluit op de voeding, moet u controleren of de zwaai van de deur moet veranderen van rechts (zoals geleverd) naar links, als dat nodig is voor de installatieplaats en de bruikbaarheid.

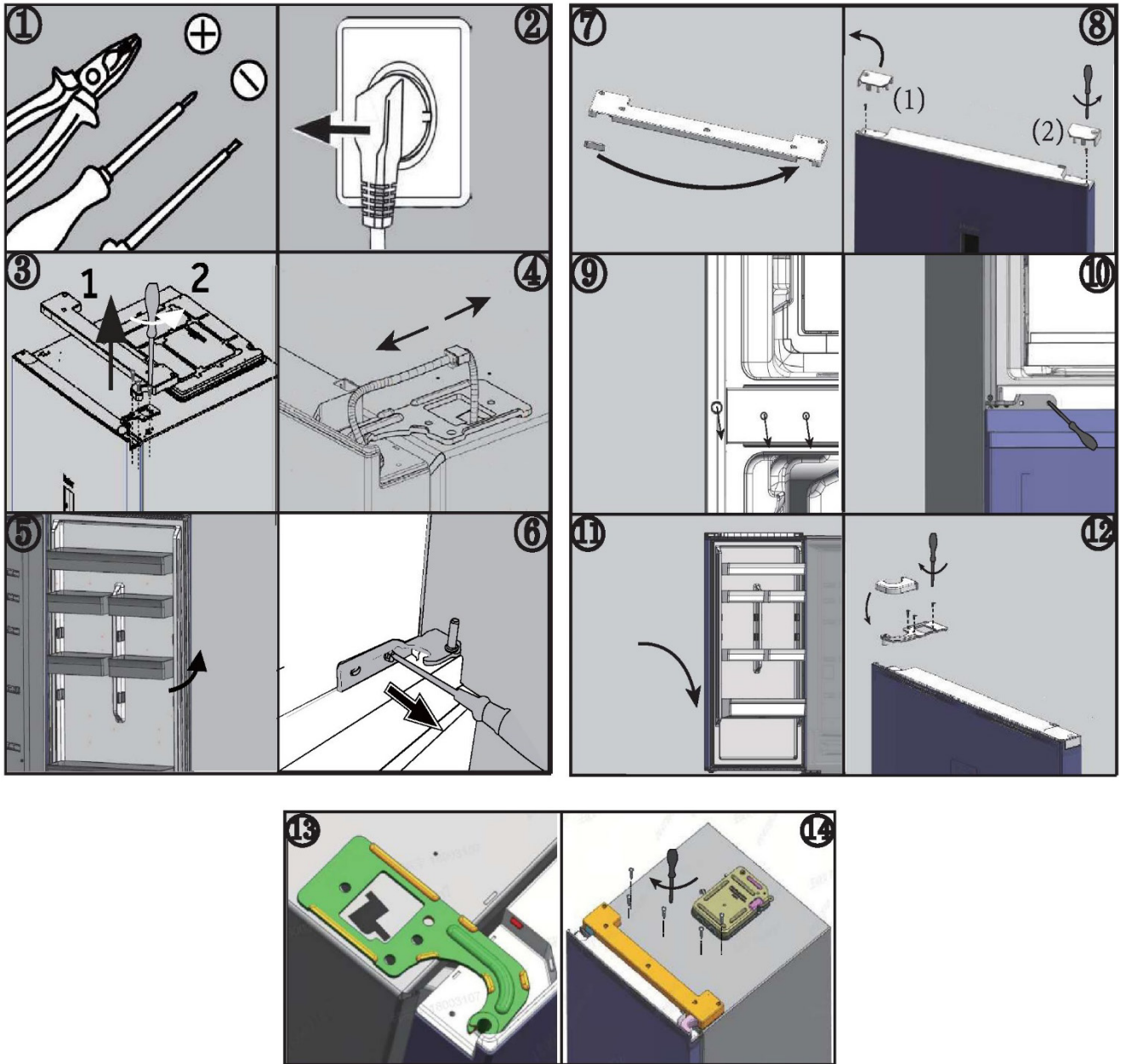


WAARSCHUWING!

- ▶ Het apparaat is zwaar. Er zijn twee personen nodig om de deur om te keren.
- ▶ Haal de stekker van het apparaat uit het stopcontact voordat u eraan gaat werken
- ▶ Kantel het apparaat niet meer dan 45° om schade aan het koelsysteem te voorkomen.

Montagestappen

1. Zorg voor het benodigde gereedschap.
 2. Haal de stekker van het apparaat uit het stopcontact.
 3. Verwijder de bovenste scharnierafdekking (1) en schroef het bovenste scharnier (drie schroeven) aan de rechterkant los (2).
 4. Til de losse koelkastdeur voorzichtig van het middelste scharnier af.
 5. Verwijder het middelste scharnier.
 6. Verwijder de kleine afdekking van het voorpaneel van links naar rechts.
 7. Draai de deur ondersteboven en schroef de afdekking (1) los. Pak de nieuwe afdekking (2) uit het benodigde zakje en schroef het aan de tegenoverliggende zijde vast.
 8. Verander de posities van de afdichtpluggen en de schroef aan de zijkant.
 9. Schroef het middelste scharnier aan de linkerkant van het apparaat vast. Let op dat u het draaipunt van het middelste scharnier omdraait, zodat de kant met de pakking naar boven wijst.
 10. Til de bovenste deur voorzichtig op aan het middelste scharnier. Zorg ervoor dat het draaipunt in de scharnierschacht van de onderste deur past.
 11. Neem het nieuwe bovenste scharnier en de scharnierafdekking uit de zak met accessoires. Bevestig het bovenste scharnier met drie schroeven aan de linkerkant van het apparaat. Plaats de scharnierafdekking over het scharnier.
 12. Plaats het voorpaneel terug en zet het vast met vijf schroeven.
- Controleer na de vervanging van de deur of de afdichtingen van de deur goed op de behuizing zitten en alle schroeven goed zijn vastgedraaid.



Omgevingstemperatuur

Subnormaal (SN): dit koelapparaat is bedoeld voor gebruik bij een omgevingstemperatuur van 10°C tot 32°C.

Normaal (N): dit koelapparaat is bedoeld voor gebruik bij een omgevingstemperatuur van 16°C tot 32°C.

Subtropisch (ST): dit koelapparaat is bedoeld voor gebruik bij een omgevingstemperatuur van 16°C tot 38°C.

Tropisch (T): dit koelapparaat is bedoeld voor gebruik bij een omgevingstemperatuur van 16°C tot 43°C.

Productparameters volgens verordening (EU)2019/2016

Gebaseerd op de resultaten van de standaardtest gedurende 24 uur. Het werkelijke energieverbruik is afhankelijk van de manier waarop het apparaat wordt gebruikt en de plaats waar het zich bevindt.

Model	CNCQ4T620EW CNCQ4T620EX CNCQ4T620EB	CNCQ4T620DX CNCQ4T620DW	CNCQ4T620CX
Type koelapparaat	Koelvries- combinatie	Koelvries- combinatie	Koelvries- combinatie
Energie- efficiëntieklasse	E	D	C
Jaarlijks energieverbruik (kWh/jaar)	279	223	178
Volume koelkastgedeelte (l)	289	289	289
Volume vriezergedeelte (l)	120	120	120
Vriesklasse	4 sterren	4 sterren	4 sterren
Type ontdooien	Automatisch ontdooien	Automatisch ontdooien	Automatisch ontdooien
Temperatuur- stijgingstijd (uur)	11	11	13
Vriescapaciteit (kg/24 uur)	10	10	10
Klimaatklasse	SN.N.ST	SN.N.ST.T.	SN.N.ST.T.



Model	CNCQ4T618DX	CNCQ4T618EW CNCQ4T618EX CNCQ4T618EB
Type koelapparaat	Koelvriescombinatie	Koelvriescombinatie
Energie-efficiëntieklasse	D	E
Jaarlijks energieverbruik (kWh/jaar)	216	270
Volume koelkastgedeelte (l)	235	235
Volume vriezergedeelte (l)	120	120
Vriesklasse	4 sterren	4 sterren
Type ontdooien	Automatisch ontdooien	Automatisch ontdooien
Temperatuurstijgingstijd (uur)	11	11
Vriescapaciteit (kg/24 uur)	10	10
Klimaatklasse	SN.N.STT	SN.N.ST

Uitleg:

- Ja, aanwezig

- (1) Op basis van de resultaten van de normenconformiteitstest gedurende 24 uur. Het werkelijke verbruik is afhankelijk van het gebruik en de locatie van het apparaat.
- (2) Klimaatklasse SN: Dit apparaat is bedoeld voor gebruik bij een omgevingstemperatuur tussen +10°C en +32°C
 Klimaatklasse N: Dit apparaat is bedoeld voor gebruik bij een omgevingstemperatuur tussen +16°C en +32°C
 Klimaatklasse ST: Dit apparaat is bedoeld voor gebruik bij een omgevingstemperatuur tussen +16°C en +38°C
 Klimaatklasse T: Dit apparaat is bedoeld voor gebruik bij een omgevingstemperatuur tussen +16°C en +43°C

Aanvullende technische gegevens

Model	CNCQ4T620EW CNCQ4T620EX CNCQ4T620EB	CNCQ4T620DX CNCQ4T620DW	CNCQ4T618EW CNCQ4T618EX CNCQ4T618EB
Totaal volume (liter)	409	409	355
Spanning/frequentie	220–240 V ~/50 Hz	220–240 V ~/50 Hz	220–240 V ~/50 Hz
Nominale spanning (A)	0,9	1,4	0,9
Hoofdzekering (A)	15	15	15
Koelmiddel	R600a (53 g)	R600a (53 g)	R600a (53 g)
Afmetingen (BxDxH in mm)	595x667x2050	595x667x2050	595x667x1850

Model	CNCQ4T620CX	CNCQ4T618DX
Totaal volume (liter)	409	355
Spanning/frequentie	220–240 V ~/50 Hz	220–240 V ~/50 Hz
Nominale spanning (A)	1,4	1,4
Hoofdzekering (A)	15	15
Koelmiddel	R600a (50 g)	R600a (53 g)
Afmetingen (BxDxH in mm)	595x667x2050	595x667x1850



Wij adviseren onze Haier-klantenservice en het gebruik van originele onderdelen. Als u een probleem hebt met uw apparaat, controleer dan eerst het hoofdstuk **PROBLEMEN OPLOSSEN**.

Als u daar geen oplossing kunt vinden, neem dan contact op met

- ▶ uw plaatselijke dealer; of
- ▶ ons Europese service-callcentrum (zie onderstaande telefoonnummers); of
- ▶ het gedeelte Service & Support op www.haier.com, waar u de serviceclaim kunt activeren
- ▶ en ook veelgestelde vragen kunt vinden.

Om contact op te nemen met onze klantenservice, moet u ervoor zorgen dat u over de volgende gegevens beschikt.

De informatie is te vinden op het typeplaatje.

Model _____

Serienummer _____

Controleer ook de garantiekaart die met het product is meegeleverd in geval van garantie.

Europees service-callcentrum		
Land*	Telefoonnummer	Kosten
Haier Italy (IT)	199 100 912	
Haier Spain (ES)	902 509 123	
Haier Germany (DE)	0180 5 39 39 99	<ul style="list-style-type: none"> • 14 ct/min – vaste lijn • max. 42 ct/min – mobiel
Haier Austria (AT)	0820 001205	<ul style="list-style-type: none"> • 14,53 ct/min – vaste lijn • max. 20 ct/min – alle andere
Haier United Kingdom (UK)	0333 003 8122	
Haier France (FR)	0980 406 409	



*Voor andere landen verwijzen wij u naar www.haier.com

Haier Europe Trading S.r.l

Branch UK

Westgate House, Westgate, Ealing

London, W5 1YY, Verenigd Koninkrijk

*Duur van de garantie van het koelapparaat:

De minimumgarantie is: 2 jaar voor EU-landen, 3 jaar voor Turkije, 1 jaar voor het Verenigd Koninkrijk, 1 jaar voor Rusland, 3 jaar voor Zweden, 2 jaar voor Servië, 5 jaar voor Noorwegen, 1 jaar voor Marokko, 6 maanden voor Algerije, Tunesië geen wettelijke garantie vereist.

*De beschikbaarheidsperiode van reserveonderdelen voor reparatie van het apparaat:

Thermostaten, temperatuursensoren, printplaten en lichtbronnen zijn gedurende minimaal zeven jaar na het op de markt brengen van de laatste eenheid van het model beschikbaar.

Deurgrepen, deurscharnieren, bakken en manden zijn minimaal zeven jaar en deurrubbers minimaal tien jaar na het in de handel brengen van de laatste eenheid van het model verkrijgbaar.

*Raadpleeg voor meer informatie over het product <https://eprel.ec.europa.eu/> of scan de QR-code op het energielabel dat met het apparaat wordt meegeleverd.

<u>5</u> <u>Informacje dotyczące bezpieczeństwa</u>	<u>Przed pierwszym użyciem</u>	<u>6</u>
	<u>Instalacja</u>	<u>6</u>
	<u>Codzienne użytkowanie</u>	<u>7</u>
<u>10</u> <u>Przeznaczenie</u>		
<u>11</u> <u>Opis produktu</u>		
<u>13</u> <u>Panel sterowania</u>		
<u>14</u> <u>Użytkowanie</u>	<u>Regulacja temperatury chłodziarki</u>	<u>15</u>
	<u>Regulacja temperatury zamrażarki</u>	<u>15</u>
	<u>Funkcja Super Freeze</u>	<u>15</u>
	<u>Funkcja Super Cool</u>	<u>16</u>
	<u>Funkcja Fresh 0°C</u>	<u>15</u>
<u>20</u> <u>Wyposażenie</u>		
<u>22</u> <u>Wskazówki dotyczące oszczędzania energii</u>		
<u>23</u> <u>Pielęgnacja i czyszczenie</u>		
<u>25</u> <u>Rozwiązywanie problemów</u>		
<u>29</u> <u>Instalacja</u>		
<u>33</u> <u>Dane techniczne</u>		
<u>35</u> <u>Obsługa klienta</u>		



Aby wyświetlić szczegółowe informacje, kliknij odpowiednią pozycję spisu treści.

Dziękujemy za zakup produktu Candy.

Przed użyciem urządzenia należy dokładnie przeczytać niniejsze instrukcje. Instrukcje zawierają ważne informacje, które pomogą możliwie najlepiej wykorzystać funkcje urządzenia, bezpiecznie i prawidłowo je zainstalować, eksploatować oraz konserwować.

Niniejszą instrukcję obsługi należy przechowywać w dostępnym miejscu, aby móc z niej zawsze skorzystać w celu bezpiecznego i właściwego użytkowania urządzenia.

Przy sprzedaży urządzenia należy do niego dołączyć niniejszą instrukcję obsługi, a w przypadku przeprowadzki przekazać ją nowemu właścicielowi, aby mógł się zapoznać z urządzeniem i ostrzeżeniami dotyczącymi bezpieczeństwa.

Akcesoria

Sprawdź akcesoria i materiały zgodnie z tą listą:



Wkładka nasadki



Etykieta wydajności energetycznej



Karta gwarancyjna



Szybki przewodnik



Zawiasy drzwi



Ośłona zawiasu



OSTRZEŻENIE - Ważne informacje dotyczące bezpieczeństwa



UWAGA - Ogólne informacje i wskazówki



Informacje dotyczące ochrony środowiska



Utylizacja

Pomóż chronić środowisko i ludzkie zdrowie. Wyrzuć opakowanie do odpowiednich pojemników do recyklingu. Pomóż w recyklingu odpadów z urządzeń elektrycznych i elektronicznych. Nie wyrzucaj urządzeń oznaczonych tym symbolem razem z odpadami domowymi. Oddaj produkt do miejscowego zakładu recyklingu lub skontaktuj się z urzędem miejskim.



OSTRZEŻENIE!

Ryzyko obrażeń lub uduszenia!

Czynniki chłodnicze i gazy muszą być utylizowane w profesjonalny sposób. Przed utylizacją upewnij się, że przewody układu chłodniczego nie są uszkodzone. Odłącz urządzenie od zasilania sieciowego. Odetnij przewód zasilający i zutylizuj go. Usuń tace i szuflady oraz zamek drzwi i uszczelki, aby zapobiec zamknięciu się dzieci i zwierząt w urządzeniu.

Przed włączeniem urządzenia po raz pierwszy, przeczytaj poniższe wskazówki dotyczące bezpieczeństwa:



OSTRZEŻENIE!

Przed pierwszym użyciem

- ▶ Upewnij się, że nie ma uszkodzeń powstałych podczas transportu.
- ▶ Usuń wszystkie opakowania i przechowuj w miejscu niedostępnym dla dzieci.
- ▶ Odczekaj co najmniej dwie godziny przed zainstalowaniem urządzenia, aby upewnić się, że obwód czynnika chłodniczego jest w pełni efektywny.
- ▶ Zawsze przenoś urządzenie z pomocą co najmniej dwóch osób, ponieważ jest ono ciężkie.

Instalacja

- ▶ Urządzenie powinno być umieszczone w dobrze wentylowanym miejscu. Zapewnij przestrzeń co najmniej 10 cm nad urządzeniem i wokół niego.
- ▶ Nigdy nie umieszczaj urządzenia w wilgotnym miejscu lub w takim, w którym może być ochlapano wodą. Zetrzyj plamy i zachlapania do sucha miękką i czystą ściereczką.
- ▶ Nie należy instalować urządzenia w bezpośrednim świetle słonecznym lub w pobliżu źródeł ciepła (np. pieców, grzejników).
- ▶ Zainstaluj i wypoziomuj urządzenie w miejscu odpowiednim dla jego wielkości i przeznaczenia.
- ▶ Należy dbać o drożność otworów wentylacyjnych w obudowie urządzenia wolnostojącego lub w konstrukcji do zabudowy.
- ▶ Upewnij się, że informacje dotyczące elektryki na tabliczce znamionowej są zgodne z parametrami zasilania. Jeśli tak nie jest, skontaktuj się z elektrykiem.
- ▶ Urządzenie jest zasilane prądem 220–240 V AC/50 Hz. Odbiegające od normy wahania napięcia mogą spowodować niewłączenie się urządzenia albo uszkodzenie regulatora temperatury lub sprężarki. Mogą też być przyczyną nietypowego hałasu podczas pracy. W takim przypadku powinien zostać zamontowany automatyczny regulator.
- ▶ Nie używaj adapterów wtyczek i przedłużaczy.
- ▶ Za urządzeniem nie należy umieszczać kilku listew zasilających ani przenośnych zasilaczy.
- ▶ Upewnij się, że kabel zasilający nie jest przytrzaśnięty przez chłodziarkę. Nie stawaj na przewodzie zasilającym.



OSTRZEŻENIE!

- ▶ Używaj oddzielnego, łatwo dostępnego i uziemionego gniazdka. Urządzenie musi być uziemione.
Dotyczy tylko Wielkiej Brytanii: Kabel zasilający urządzenie jest wyposażony we wtyczkę z 3 bolcami (z uziemieniem), która pasuje do standardowego gniazda z 3 przewodami (z uziemieniem). Nigdy nie odcinaj ani nie demontuj trzeciego bolca (z uziemieniem). Po zainstalowaniu urządzenia wtyczka powinna być łatwo dostępna.
- ▶ Uważaj, aby nie uszkodzić obwodu chłodniczego.

Codzienne użytkowanie

- ▶ Urządzenie może być obsługiwane przez dzieci powyżej 8 roku życia i przez osoby o ograniczonych możliwościach fizycznych, sensorycznych lub umysłowych lub osoby nieposiadające doświadczenia ani wiedzy pod warunkiem, że są one pod odpowiednim nadzorem lub zostały poinstruowane, jak bezpiecznie obsługiwać urządzenie i rozumieją związane z nim zagrożenia.
- ▶ Dzieciom w wieku od 3 do 8 lat wolno ładować i rozładowywać, ale nie wolno czyścić ani instalować urządzeń chłodniczych.
- ▶ Trzymaj z dala od urządzenia dzieci poniżej 3 roku życia, chyba że są pod stałym nadzorem.
- ▶ Dzieci nie powinny bawić się urządzeniem.
- ▶ Jeśli czynnik chłodniczy lub inny łatwopalny gaz wycieka w pobliżu urządzenia, zamknij zawór wyciekającego gazu, otwórz drzwi oraz okna i nie odłączaj kabla zasilającego chłodziarki lub innego urządzenia.
- ▶ Należy zauważyć, że urządzenie, na przykład CNCQ4T620EX, CNCQ4T620EW, CNCQ4T618EX, CNCQ4T618EW, CNCQ4T618EB, jest ustawione do pracy w określonym zakresie temperatur otoczenia od 10°C do 38°C. Urządzenie może nie pracować prawidłowo, jeśli pozostanie na dłuższy czas w temperaturze powyżej lub poniżej podanego zakresu.
- ▶ Należy zauważyć, że urządzenie, na przykład CNCQ4T620DX, CNCQ4T620DW, CNCQ4T620CX, jest ustawione do pracy w określonym zakresie temperatur otoczenia od 10°C do 43°C. Urządzenie może nie pracować prawidłowo, jeśli pozostanie na dłuższy czas w temperaturze powyżej lub poniżej podanego zakresu.
- ▶ Na chłodziarce nie należy umieszczać niestabilnych przedmiotów (ciężkich przedmiotów, pojemników wypełnionych wodą), aby uniknąć obrażeń ciała spowodowanych upadkiem lub porażeniem prądem elektrycznym w wyniku kontaktu z wodą.
- ▶ Nie ciągnij za półki drzwiowe. Drzwi mogą się przechylić, stojak na butelki może zostać wyciągnięty lub urządzenie może się przewrócić.



OSTRZEŻENIE!

- ▶ Nie przechowuj ani nie używaj materiałów łatwopalnych, wybuchowych lub żrących w urządzeniu lub w jego sąsiedztwie.
 - ▶ Nie należy przechowywać w urządzeniu leków, bakterii lub substancji chemicznych. To urządzenie jest urządzeniem gospodarstwa domowego. Nie zaleca się przechowywania materiałów, które wymagają ściśle określonej temperatury.
 - ▶ Nigdy nie przechowuj płynów w butelkach lub puszkach (oprócz alkoholi wysokoprocentowych), zwłaszcza napojów gazowanych w zamrażarce, ponieważ mogą one pęknąć podczas zamrażania.
 - ▶ Sprawdź stan żywności, jeśli w zamrażarce miało miejsce zwiększenie temperatury.
 - ▶ Nie ustawiaj niepotrzebnie niskiej temperatury w komorze chłodziarki. Ujemne temperatury mogą wystąpić przy wysokich ustawieniach. Uwaga: Butelki mogą wybuchnąć
 - ▶ Nie dotykaj zamrożonych towarów mokrymi rękami (załóż rękawiczki). Szczególnie nie należy jeść lizaków lodowych bezpośrednio po wyjęciu z komory zamrażarki. Istnieje ryzyko przymarznięcia naskórka lub powstania pęcherzy. PIERWSZA pomoc: Natychmiast polej miejsce przymarznięcia bieżącą zimną wodą. Nie odrywaj!
 - ▶ Nie dotykaj wnętrza komory zamrażarki podczas pracy, zwłaszcza mokrymi rękami, ponieważ mogą one przymarznąć do jej powierzchni.
 - ▶ Odłącz urządzenie w przypadku przerwy w zasilaniu lub przed czyszczeniem. Nie uruchamiaj ponownie urządzenia przez co najmniej 7 minut, ponieważ szybkie włączenie może doprowadzić do uszkodzenia sprężarki.
 - ▶ Nie używaj urządzeń elektrycznych wewnątrz komór do przechowywania żywności, chyba że są to urządzenia typu zalecanego przez producenta.
- Konserwacja / czyszczenie
- ▶ Upewnij się, że dzieci są nadzorowane podczas czyszczenia i konserwacji urządzenia.
 - ▶ Przed przystąpieniem do rutynowej konserwacji należy odłączyć urządzenie od zasilania elektrycznego. Odczekaj co najmniej 5 minut przed ponownym uruchomieniem urządzenia, ponieważ częste uruchamianie może uszkodzić sprężarkę.
 - ▶ Podczas ustawiania urządzenia należy się upewnić, że kabel zasilający nie został przygnieciony ani uszkodzony.
 - ▶ Za urządzeniem nie należy umieszczać kilku listew zasilających ani przenośnych zasilaczy.
 - ▶ Nie używaj urządzeń elektrycznych wewnątrz komór do przechowywania żywności, chyba że są to urządzenia typu zalecanego przez producenta.
 - ▶ Nie przechowuj w urządzeniu substancji wybuchowych takich jak aerozole w puszcze z łatwopalnymi gazami nośnymi.



OSTRZEŻENIE!

- ▶ Podczas odłączania urządzenia trzymaj za wtyczkę, a nie za przewód.
- ▶ Nie czyść urządzenia za pomocą twardych szczotek, szczotek drucianych, detergentów proszkowych, benzyny, octanu amylu, acetonu i podobnych roztworów organicznych, kwasu lub roztworów alkalicznych. Do czyszczenia należy używać specjalnego detergentu do chłodziarek, aby uniknąć uszkodzenia.
- ▶ Nie zeskrobuj szronu i lodu ostrymi przedmiotami. Nie używaj rozpylaczy, grzejników elektrycznych, takich jak suszarka do włosów, myjek parowych lub innych źródeł ciepła, aby uniknąć uszkodzenia plastikowych części.
- ▶ Nie używaj urządzeń mechanicznych ani innych środków do przyspieszania procesu rozmrażania, chyba że są one zalecane przez producenta.
- ▶ Jeśli kabel zasilający ulegnie uszkodzeniu, dla bezpieczeństwa należy zlecić jego wymianę producentowi, autoryzowanemu serwisowi lub osobom o podobnych kwalifikacjach.
- ▶ Nie należy próbować samodzielnie naprawiać, demontować ani modyfikować urządzenia. W przypadku konieczności naprawy prosimy o kontakt z naszym działem obsługi klienta.
- ▶ Usuń kurz z tyłu urządzenia co najmniej raz w roku, aby uniknąć zagrożenia ogniem, a także zwiększonego zużycia energii.
- ▶ Nie używaj aerozolu ani nie przepłukuj urządzenia podczas czyszczenia.
- ▶ Nie używaj wody lub pary do czyszczenia urządzenia.
- ▶ Nie czyść zimnych szklanych półek gorącą wodą. Nagła zmiana temperatury może spowodować pęknięcie szkła.

Informacje dotyczące czynnika chłodniczego



OSTRZEŻENIE!

Urządzenie zawiera łatwopalny czynnik chłodniczy IZOBUTAN (R600a). Upewnij się, że układ chłodniczy nie został uszkodzony podczas transportu lub instalacji. Wyciek czynnika może spowodować uszkodzenie wzroku lub zapalenie. Jeśli wystąpiło uszkodzenie, trzymaj urządzenie z dala od otwartych źródeł ognia, dokładnie przewietrz pomieszczenie, nie podłączaj ani nie odłączaj kabli zasilających tego lub innego urządzenia. Poinformuj obsługę klienta.

W przypadku kontaktu czynnika chłodniczego z oczami natychmiast przepłucz je pod bieżącą wodą i natychmiast skontaktuj się z okulistą.

To urządzenie jest przeznaczone do chłodzenia i zamrażania żywności. Zostało zaprojektowane wyłącznie do użytku w gospodarstwach domowych i podobnych zastosowaniach, takich jak pomieszczenia kuchenne dla personelu w sklepach, biurach i innych środowiskach pracy; w gospodarstwach rolnych oraz przez klientów w hotelach, motelach i innych obiektach mieszkalnych, a także w pensjonatach i gastronomii. Nie jest przeznaczone do użytku komercyjnego ani przemysłowego. Zmiany lub modyfikacje urządzenia są niedozwolone. Użycie niezgodne z przeznaczeniem może spowodować zagrożenie i utratę roszczeń gwarancyjnych.

Normy i dyrektywy

Ten produkt spełnia wymagania wszystkich obowiązujących dyrektyw WE z odpowiednimi normami zharmonizowanymi, które zapewniają znak CE.

PROCEDURA PAROWANIA APLIKACJI

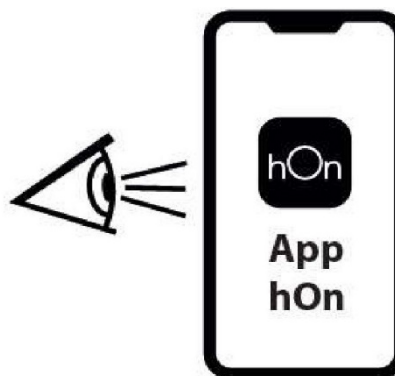
Krok 1 • Pobierz aplikację hOn w sklepie



Krok 2 • Utwórz konto w aplikacji hOn lub zaloguj się, jeśli masz już konto



Krok 3 • Postępuj zgodnie z instrukcjami parowania w aplikacji hOn

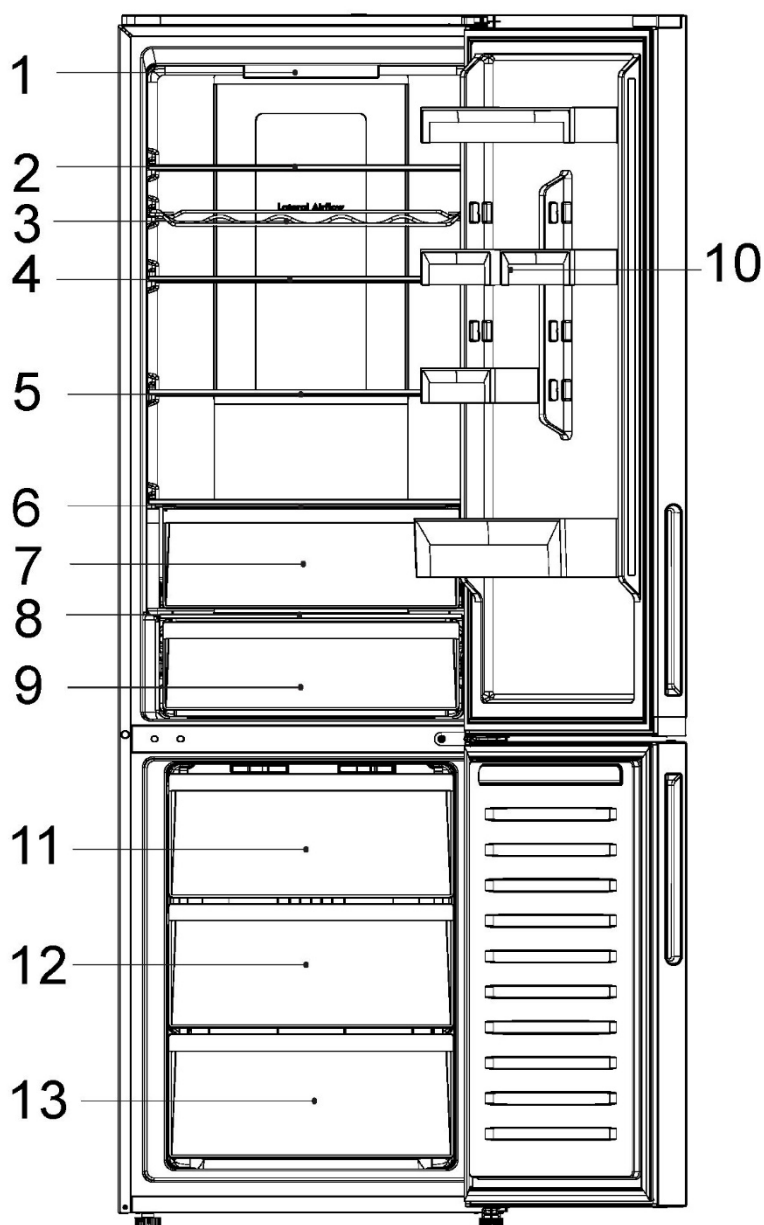


Moduł radiowy - Dane techniczne

Częstotliwość (OFR)	2400 MHz-2843.5 MHz
Częstotliwości kanałów	2412...2472 MHz (krok 5 MHz)
Maksymalna moc (EIRP)	100 mW

i UWAGA

Z powodu zmian technicznych i różnych modeli, niektóre ilustracje w tej instrukcji mogą się różnić od Twojego modelu.



CNCQ4T620EX
 CNCQ4T620EB
 CNCQ4T620DX
 CNCQ4T620EW
 CNCQ4T620DW
 CNCQ4T620CX

A: Komora chłodziarki

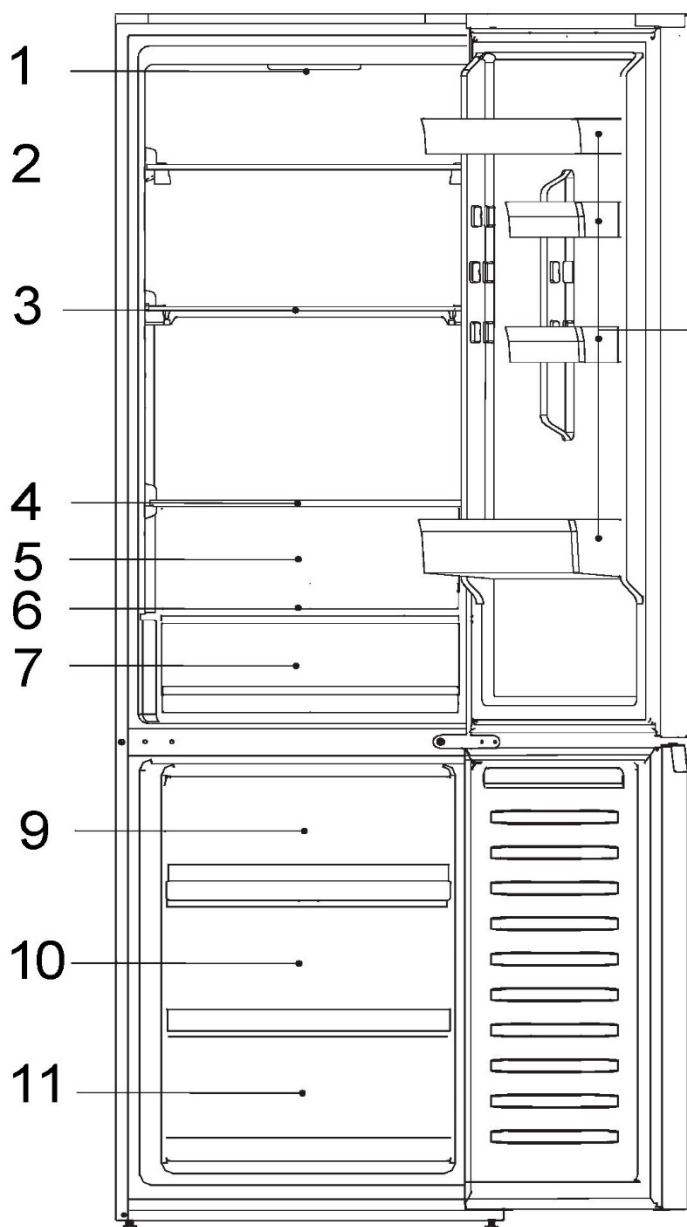
- 1- Panel sterowania
- 2- Szklana półka
- 3- Stojak na wino
- 4- Szklana półka
- 5- Szklana półka
- 6- Pokrywa szuflady
- 7- Szuflada Humidity Area
- 8- Pokrywa szuflady
- 9- Szuflada Fresh 0°C
- 10- Półka na drzwi chłodziarki

B: Komora zamrażarki

- 11- Górna szuflada zamrażarki
- 12- Środkowa szuflada zamrażarki
- 13- Dolna szuflada zamrażarki

i UWAGA

Z powodu zmian technicznych i różnych modeli, niektóre ilustracje w tej instrukcji mogą się różnić od Twojego modelu.



CNCQ4T618DW
 CNCQ4T618CX
 CNCQ4T618EX
 CNCQ4T618EB
 CNCQ4T618EW

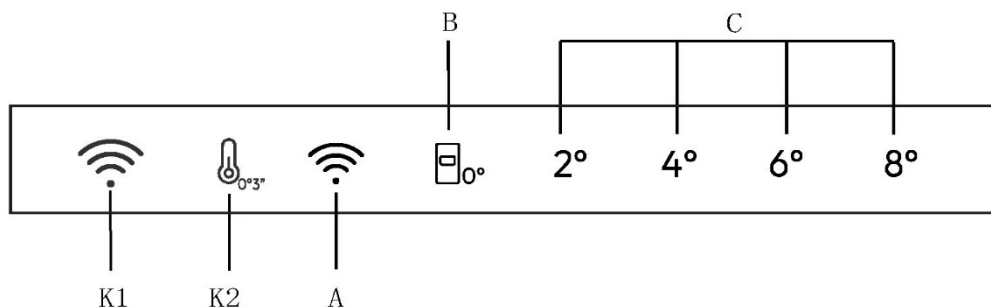
A: Komora chłodziarki

- 1- Panel sterowania
- 2- Szklana półka
- 3- Szklana półka
- 4- Szklana półka
- 5- Szuflada Humidity Zone
- 6- Pokrywa szuflady
- 7- Szuflada Fresh 0°C
- 8- Półka na drzwi chłodziarki

B: Komora zamrażarki

- 9- Górna szuflada zamrażarki
- 10- Środkowa szuflada zamrażarki
- 11- Dolna szuflada zamrażarki

Panel sterowania



Przyciski

- K1 Włączanie/wyłączanie funkcji Wi-Fi.
- K2 Przycisk włączania/wyłączania wyboru temperatury, używany do włączania/wyłączania wskaźników świeżego Fresh 0°C
- A Wyświetlacz Wi-Fi.

Wskaźniki

- B Funkcja Fresh 0°C
- C Wyświetlacz temperatury chłodziarki

Przed pierwszym użyciem

- ▶ Usunąć wszelkie opakowania, trzymać je w miejscu niedostępnym dla dzieci i zutylizować w sposób przyjazny dla środowiska.
- ▶ Wyczyścić urządzenie wewnątrz i na zewnątrz, a także wnętrze i akcesoria wodą z łagodnym detergentem, a następnie dobrze wysuszyć miękką ściereczką.
- ▶ Po wypoziomowaniu i wyczyszczeniu urządzenia odczekać co najmniej 2 godziny przed podłączeniem go do zasilania. Zob. rozdział INSTALACJA.
- ▶ Przed włożeniem żywności należy wstępnie schłodzić komory z wysokimi ustawieniami.

Przyciski mechaniczne

Przyciski na panelu sterowania są przyciskami mechanicznymi.

Włącz/Wyłącz urządzenie

Urządzenie zacznie pracę jak tylko zostanie podłączone do źródła energii.

Kiedy lodówka jest włączana po raz pierwszy, wskaźnik „4° z „B” (wyświetlacz temperatury lodówki) i wskaźnik „0° szuflady do przechowywania o wartości 0°C świeci się. Temperatura lodówki i zamrażarki są automatycznie ustawiane odpowiednio na 4°C i -20°C, a następnie rozpoczyna się praca szuflady przechowywania 0°C.



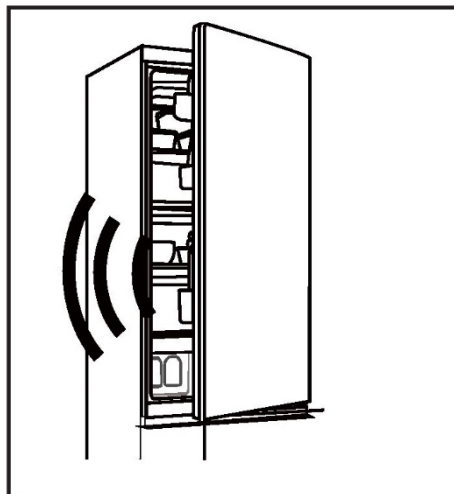
UWAGA

Urządzenie jest ustawione na zalecaną temperaturę 4°C. Są to zalecane ustawienia. W razie potrzeby można ręcznie zmienić ustawioną temperaturę.

Alarm otwarcia drzwi

Gdy drzwi chłodziarki są otwarte przez ponad 3 minuty, włączy się alarm otwartych drzwi.

Alarm drzwi można także wyłączyć poprzez zamknięcie drzwi. Jeśli drzwi pozostaną otwarte dłużej niż 7 minut, oświetlenie wnętrza chłodziarki i panelu sterowania wyłączy się automatycznie.



Zasilanie Wł./Wył.

Gdy urządzenie jest włączone, naciśnij przycisk K1 na 3 sekundy, urządzenie przejdzie w tryb czuwania, sprężarka przestanie działać, a lampka zgaśnie; Gdy urządzenie znajduje się w trybie czuwania, naciśnij przycisk K1 na 3 sekundy, urządzenie zostanie włączone, kompresor zacznie działać i zaświeci się lampka.

Regulacja temperatury

Na temperaturę wewnątrz chłodziarki wpływają następujące czynniki:

Temperatura otoczenia



Częstotliwość otwierania drzwi
Ilość przechowywanej żywności
Instalacja urządzenia

Dostosuj temperaturę w komorze chłodziarki/zamrażarki

1. Naciśnij przycisk „K2” (wybór temperatury lodówki), aby wybrać temperaturę lodówki;
2. Wskaźnik „B” (wyświetlacz temperatury lodówki) będzie świecił na przemian, jak poniżej;

2° → 4° → 6° → 8°

3. Po wybraniu temperatury lodówki na panelu sterowania odpowiednia temperatura zamrażarki wynosi 2° (-22°) → 4° (-20°) → 6° (-18°) → 8° (-16°).

Funkcja Fresh 0°C

Aby przejść do trybu „0°”, przy otwartych drzwiach lodówki, naciśnij przycisk K2 na 3 sekundy, po czym rozlegnie się sygnał dźwiękowy, wskaźnik „0°” zaświeci się, temperatura Fresh 0°C będzie bliska 0°C.

Aby wyjść z trybu „0°”, przy otwartych drzwiach lodówki naciśnij przycisk K2 na 3 sekundy i zabrzmi sygnał dźwiękowy, wskaźnik „0°” „wygasi” się; temperatura szuflady „0°” będzie się zmieniać wraz z temperaturą lodówki.

Regulacja stopniowania

Po pomyślnym podłączeniu Wi-Fi lodówki możesz wyregulować stopniowanie za pomocą aplikacji, po regulacji wskaźniki na wyświetlaczu C zgasną. Oświetlenie drzwi miga jeden raz po każdej pomyślnej zmianie stopnia.

Zakres regulacji lodówki wynosi 2°, 3°, 4°, 5°, 6°, 7°, 8°;

Zakres regulacji zamrażarki wynosi -24°, -23°, -22°, -21°, -20°, -19°, -18°, -17°, -16°.

Funkcję Fresh 0°C można otworzyć lub zamknąć.

Funkcja Super Freeze

1. Świeżą żywność należy jak najszybciej całkowicie zamrozić. Pozwoli to zachować najlepsze wartości odżywcze, wygląd i smak. Funkcja Super Freeze przyspiesza zamrażanie świeżej żywności i chroni już przechowywane produkty przed niepożądanym ogrzaniem. Jeśli chcesz zamrozić dużą ilość żywności na raz, zaleca się włączenie funkcji Super Freeze na 24 godziny przed korzystaniem z zamrażarki.

2. Możesz wejść w funkcję Super Freeze poprzez aplikację i w tym momencie wyświetlacz



UWAGA

1. Urządzenie wyłącza funkcję Super Freeze po wejściu w funkcję Super Freeze” na 50 godzin lub po naciśnięciu „K2” lub wyłączeniu jej z poziomu aplikacji.
2. W stanie Super Freeze nie można regulować temperatury w komorze zamrażania.

Funkcja Super Cool

1. Zaleca się włączenie funkcji Super Cool w przypadku przechowywania dużej ilości żywności (np. po zakupie). Funkcja Super Cool przyspiesza chłodzenie świeżej żywności i chroni już przechowywane produkty przed niepożądanym ogrzaniem.
2. Możesz wejść do funkcji Super Cool poprzez aplikację i w tym momencie ikona C na wyświetlaczu zgaśnie.



UWAGA

1. Urządzenie wyłącza „funkcję Super Cool” po wejściu w „Funkcję Super Cool” na 6 godzin lub naciśnięciu „K2” lub wyłączeniu jej z poziomu aplikacji.
2. W stanie Super Cool nie można regulować temperatury komory chłodziarki

Funkcja Holiday

Funkcji Holiday można używać w celu zmniejszenia zużycia energii przez urządzenie, gdy nie jest ono regularnie używane. Po włączeniu tej funkcji chłodziarka zostanie wyłączona, natomiast zamrażarka będzie działać normalnie. Funkcja ustawia na stałe temperaturę chłodziarki na 17°C.

Można wejść do funkcji Holiday poprzez aplikację i w tym momencie ikona C na wyświetlaczu zgaśnie.



UWAGA

Funkcję można wyłączyć, ustawiając temperaturę lodówki lub dokonując innych ustawień lub wyłączając ją z poziomu aplikacji.

Gdy tryb Holiday jest włączony, oświetlenie lodówki jest wyłączone.

Funkcja połączenia Wi-Fi

Gdy drzwi lodówki są otwarte, naciśnij i przytrzymaj klawisz K1 przez 3 sekundy, lodówka wyda sygnał dźwiękowy, ikona A zacznie szybko migać, a Wi-Fi przejdzie w stan konfiguracji.

Alarm otwartych drzwi i wskazówki dotyczące rozwiązywania problemów

Drzwi lodówki otwierają się do 3 minut i nie są zamknięte, lodówka wydaje sygnał dźwiękowy, w tym samym czasie miga kontrolka drzwi; jeśli czas otwarcia drzwi osiągnie 13 minut, drzwi lodówki nadal nie są zamknięte, lodówka nie wydaje już sygnału dźwiękowego, kontrolka drzwi nadal miga.

Jeśli drzwi zamrażarki lodówki są zamknięte, lodówka nadal emituje sygnał dźwiękowy lub kontrolka drzwi nadal miga, co może oznaczać uszkodzenie części lodówki. Należy jak najszybciej skontaktować się z personelem obsługi technicznej. Pamięć awarii zasilania

Po wyłączeniu lodówki zapamiętywany jest natychmiastowy stan pracy w przypadku awarii zasilania, a po ponownym włączeniu zasilania lodówka nadal działa zgodnie z ustawieniami i stanem funkcji przed awarią zasilania.

Wskazówki dotyczące przechowywania świeżej żywności

Przechowywanie w komorze chłodziarki

Należy utrzymywać temperaturę w chłodziarce poniżej 5°C.

Gorące jedzenie musi zostać schłodzone do temperatury pokojowej przed włożeniem go do urządzenia.

Żywność przechowywana w chłodziarce powinna zostać wcześniej umyta i wysuszona.

Przechowywana żywność powinna być odpowiednio zamknięta, co pozwoli uniknąć zmiany zapachu lub smaku.

Nie przechowuj nadmiernych ilości żywności. Należy zachować odstępy pomiędzy produktami spożywczymi, aby umożliwić cyrkulację zimnego powietrza dla zapewnienia lepszego i bardziej jednolitego chłodzenia.

Żywność spożywaną codziennie należy przechowywać z przodu półki.

Pozostaw szczelinę pomiędzy żywnością a wewnętrznymi ściankami, umożliwiającą przepływ powietrza. W żadnym wypadku nie należy przechowywać żywności przy tylnej ścianie: żywność może zamrznąć przy tylnej ścianie. Unikaj bezpośredniego kontaktu żywności (zwłaszcza tłustej lub kwaśnej) z wkładką wewnętrzną, ponieważ olej/kwas może spowodować erozję wkładki wewnętrznej. Usuwać tłuste/kwaśne zabrudzenia, gdy tylko się pojawią.

Zamrożoną żywność można delikatnie rozmrozić w komorze chłodziarki. To oszczędza energię.

W chłodziarce występuje szybszy proces starzenia się owoców i warzyw takich jak cukinia, melon, papaja, banan, ananas itp. Dlatego nie zaleca się przechowywania ich w chłodziarce. Jednak przez pewien czas możliwe jest przyspieszenie dojrzewania zielonych owoców. Cebula, czosnek, imbir i inne warzywa korzeniowe również powinny być przechowywane w temperaturze pokojowej.

Nieprzyjemne zapachy wewnątrz chłodziarki to znak, że coś się rozlało i konieczne jest czyszczenie. Zobacz Pielęgnacja i czyszczenie.

Różne rodzaje żywności powinny być umieszczane w różnych miejscach w zależności od ich właściwości.

Przechowywanie w komorze zamrażarki

- Należy utrzymywać temperaturę zamrażarki na poziomie - 18 °C.
- Gorące jedzenie musi zostać schłodzone do temperatury pokojowej przed włożeniem go do komory zamrażarki.
- Żywność pokrojona na małe porcje zamraża się szybciej i jest łatwiejsza do rozmrożenia i ugotowania. Zalecana waga każdej porcji wynosi mniej niż 2,5 kg



- Zaleca się zapakowanie żywności przed jej włożeniem do zamrażarki. Zewnętrzna strona opakowania musi być sucha, aby uniknąć sklejaniasię worków. Materiały opakowaniowe powinny być bezwonne, hermetyczne, nietrujące i nietoksyczne.
- Aby uniknąć upływu terminu przydatności do spożycia, należy podać na opakowaniu datę zamrożenia, termin i nazwę produktu, zgodnie z okresami przechowywania różnych produktów spożywczych.



OSTRZEŻENIE!

Kwas, zasady, sól itp. mogą spowodować erozję wewnętrznej powierzchni zamrażarki.

- Nie należy umieszczać żywności zawierającej te substancje (np. ryb morskich) bezpośrednio na wewnętrznej powierzchni. Słona woda w zamrażarce powinna być natychmiast oczyszczona.
- Nie należy przekraczać czasu przechowywania żywności zalecanego przez producentów. Należy wyjąć z zamrażarki tylko wymaganą ilość jedzenia.
- Należy szybko spożyć rozmrożoną żywność. Rozmrożone jedzenie nie może być ponownie zamrożone, chyba że zostanie najpierw ugotowane, w przeciwnym razie może być mniej jadalne.
- Nie wkładaj nadmiernej ilości świeżej żywności do komory zamrażarki. Patrz pojemność zamrażarki - patrz DANE TECHNICZNE lub dane na tabliczce znamionowej.
- Żywność może być przechowywana w zamrażarce w temperaturze wynoszącej co najmniej $-18\text{ }^{\circ}\text{C}$ przez okres od 2 do 12 miesięcy, w zależności od jej rodzaju produktów (np. mięso: 3-12 miesięcy, warzywa: 6-12 miesięcy).
- Podczas zamrażania świeżej żywności należy unikać kontaktu z już zamrożoną żywnością. Ryzyko rozmrożenie!

Przechowując komercyjnie zamrożoną żywność, należy przestrzegać następujących wytycznych:

- Zawsze postępuj zgodnie z wytycznymi producenta dotyczącymi czasu przechowywania żywności. Nie przekraczaj czasu wskazanego w tych wytycznych!
- Staraj się, aby czas od zakupu do umieszczenia w zamrażarce był jak najkrótszy, aby zachować jakość żywności.
- Kupuj mrożonki, które były przechowywane w temperaturze $-18\text{ }^{\circ}\text{C}$ lub niższej.
- Unikaj kupowania żywności, której opakowanie jest pokryte lodem lub szronem. Oznacza to, że produkty mogły w pewnym momencie zostać częściowo rozmrożone i ponownie zamrożone. Wzrost temperatury wpływa na jakość żywności.

Ustawienia trybu Wi-Fi

PROCEDURA PAROWANIA APLIKACJI

Krok 1 • Pobierz aplikację hOn w sklepie



Krok 2 • Utwórz konto w aplikacji hOn lub zaloguj się, jeśli masz już konto



Krok 3 • Postępuj zgodnie z instrukcjami parowania w aplikacji hOn

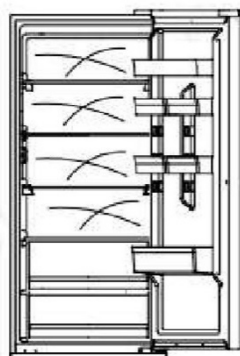


Moduł radiowy - Dane techniczne

Częstotliwość (OFR)	2400 MHz-2843.5 MHz
Częstotliwości kanałów	2412...2472 MHz (krok 5 MHz)
Maksymalna moc (EIRP)	100 mW

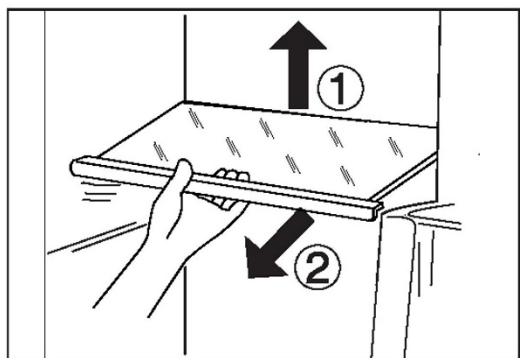
i UWAGA

Ze względu na różne modele, Twój produkt może nie mieć wszystkich poniższych funkcji. Patrz rozdział Opis produktu.



System obiegu powietrza

Chłodziarka jest wyposażona w system obiegu powietrza, dzięki któremu chłodne strumienie powietrza znajdują się na każdym poziomie półki. Pomaga to utrzymać jednolitą temperaturę, dzięki czemu żywność jest dłużej świeża.

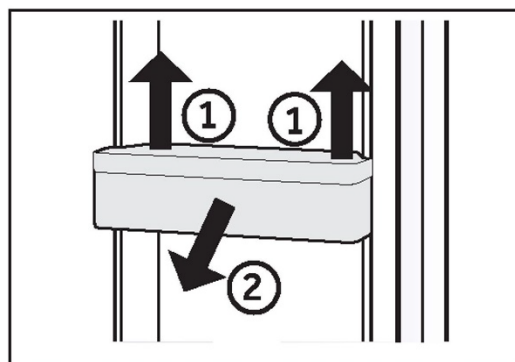


Regulowane półki

1. Wysokość półek można dostosować do potrzeb przechowywania.
2. Aby przenieść półkę, zdejmij ją najpierw, podnosząc tylną krawędź ① i wyciągając ją ②.
3. Aby ponownie zamontować półkę, należy nałożyć ją na uchwyty po obu stronach i przesunąć do pozycji najbardziej wysuniętej do tyłu, aż tylna część półki znajdzie się w szczelinach po bokach

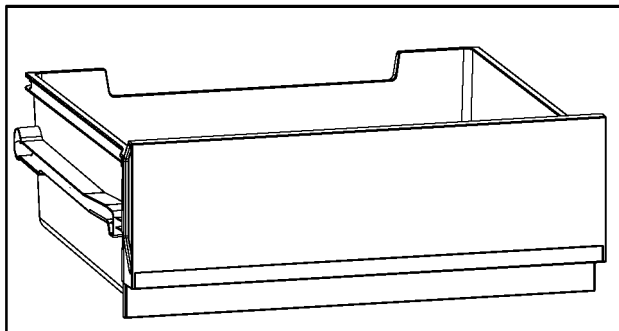
Zdemontowane półki na drzwiach/uchwyt na butelki

1. Półki na drzwiach można zdemontować w celu czyszczenia:
2. Połóż dłonie po obu stronach stojaka, podnieś go do góry ① i wyciągnij ②.
3. W celu ponownego zamontowania półek powyższe czynności wykonuje się w odwrotnej kolejności.



Szuflada do przechowywania w chłodziarce

Informacje dotyczące użytkowania i ustawiania komory lodówki znajdują się w rozdziale UŻYTKOWANIE.



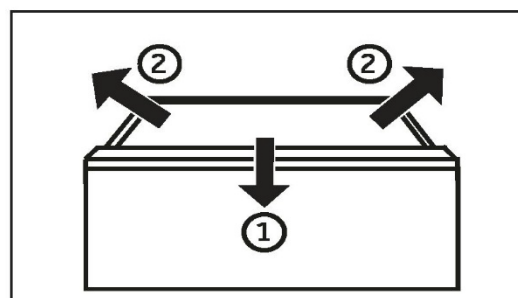
Szuflada zamrażarki

Szufladę zamrażarki można prosto i kompletnie wysunąć.. Montowane są na teleskopowej szynie typu easy roll. Abyś mógł wygodnie przechowywać i wyjmować produkty do zamrażania. Dzięki automatycznemu mechanizmowi zamykania drzwi obsługa jest łatwa i umożliwia oszczędność energii.

Wymowana szuflada

Aby wyjąć szufladę, wyciągnij ją maksymalnie ①, podnieś i wyjmij ②.

W celu ponownego włożenia szuflady powyższe czynności wykonuje się w odwrotnej kolejności.



OSTRZEŻENIE!

Nie przeciążaj szuflad: Maksymalne obciążenie każdej szuflady: 35 kg!

Światło

Po otwarciu drzwi zapala się wewnętrzne oświetlenie LED. Na działanie światła nie ma wpływu żadne z pozostałych ustawień urządzenia.



Wskazówki dotyczące oszczędzania energii

- ▶ Upewnij się, że urządzenie jest właściwie wentylowane (patrz MONTAŻ).
- ▶ Nie należy instalować urządzenia w bezpośrednim świetle słonecznym lub w pobliżu źródeł ciepła (np. pieców, grzejników).
- ▶ Unikaj niepotrzebnie niskiej temperatury w urządzeniu. Zużycie energii zwiększa się wraz z ustawieniem niższej temperatury w urządzeniu.
- ▶ Przed włożeniem ciepłej żywności do urządzenia należy poczekać, aż ostygnie.
- ▶ Otwieraj drzwi możliwie rzadko i możliwie na krótko.
- ▶ Nie przepelniaj urządzenia, aby nie blokować przepływu powietrza.
- ▶ Unikaj powietrza w opakowaniu z żywnością.
- ▶ Utrzymuj w czystości uszczelki drzwi, aby zapewnić prawidłowe ich zamykanie.
- ▶ Najbardziej energooszczędna konfiguracja wymaga, aby szuflada, pojemnik na żywność i półki były umieszczone w urządzeniu jak w stanie fabrycznym, a żywność nie blokowała wylotu powietrza z kanału.



OSTRZEŻENIE!

Przed czyszczeniem odłącz urządzenie od zasilania sieciowego.

Czyszczenie

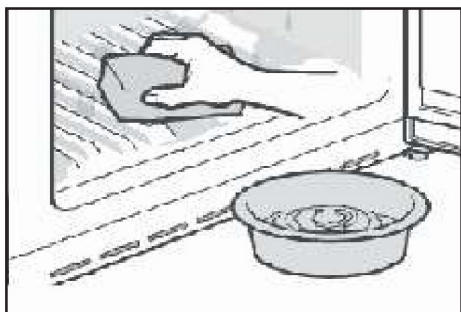
Urządzenie należy czyścić, gdy przechowywana jest niewielka ilość żywności lub nie ma jej wcale.

Urządzenie powinno być czyszczone co cztery tygodnie, aby zapewnić dobrą konserwację i zapobiec nieprzyjemnym zapachom przechowywanej żywności.



OSTRZEŻENIE!

- ▶ Nie czyść urządzenia za pomocą twardych szczotek, szczotek drucianych, detergentów proszkowych, benzyny, octanu amylu, acetonu i podobnych roztworów organicznych, kwasu lub roztworów alkalicznych. Do czyszczenia należy używać specjalnego detergentu do chłodziarek, aby uniknąć uszkodzenia.
- ▶ Nie używaj aerozolu ani nie przepłukuj urządzenia podczas czyszczenia.
- ▶ Nie używaj wody lub pary do czyszczenia urządzenia.
- ▶ Nie czyść zimnych szklanych półek gorącą wodą. Nagła zmiana temperatury może spowodować pęknięcie szkła.
- ▶ Nie dotykaj wnętrza komory, zwłaszcza mokrymi rękami, ponieważ mogą one przymarznąć do jej powierzchni.



- ▶ Uszczelka drzwi powinna być zawsze utrzymywana w czystości.
- ▶ Czyść wnętrze i obudowę urządzenia gąbką zanurzoną w ciepłej wodzie i neutralnym detergentem.
- ▶ Czyścić wnętrze i zewnętrzną część chłodziarki, w tym uszczelnienie drzwi, stojak na drzwi, szklane półki, pudełka itd., miękkim ręcznikiem lub gąbką zanurzoną w ciepłej wodzie (można dodać neutralny detergent do ciepłej wody).
- ▶ W przypadku rozlania płynu usuń wszystkie zanieczyszczone elementy, bezpośrednio spłucz bieżącą wodą, osusz i włóż z powrotem do chłodziarki.
- ▶ W przypadku rozlanego kremu (np. śmietany, topniejących lodów), należy wyjąć wszystkie zanieczyszczone części, włożyć je na chwilę do ciepłej wody o temperaturze ok. 40°C, następnie spłukać bieżącą wodą, osuszyć i włożyć z powrotem do chłodziarki.
- ▶ W przypadku, gdy jakaś mała część lub element dostanie się do wnętrza chłodziarki (pomiędzy półki lub szuflady), użyć małego miękkiego pędzelka, aby go wyciągnąć. Jeśli nie udało się dotrzeć do tego elementu, prosimy o kontakt z serwisem Haier
- ▶ Spłucz i wysusz miękką ściereczką.
- ▶ Nie należy myć żadnych części urządzenia w zmywarce do naczyń.
- ▶ Odczekaj co najmniej 7 minut przed ponownym uruchomieniem urządzenia, ponieważ częste uruchamianie może uszkodzić sprężarkę.

Rozmrażanie

Rozmrażanie komór chłodziarki i zamrażarki przebiega automatycznie; nie jest wymagana ręczna obsługa.

Wymiana lampek LED



OSTRZEŻENIE!

Nie wolno samodzielnie wymieniać lampy LED, może to zrobić tylko producent lub autoryzowany serwis.

Jako źródło światła lampy wykorzystują diody LED, charakteryzujące się niskim zużyciem energii i długą żywotnością. W przypadku wystąpienia jakichkolwiek nieprawidłowości prosimy o kontakt z działem obsługi klienta. Zob. OBSŁUGA KLIENTA.

Parametry lamp:

Komora chłodziarki: 12 V maks. 1,5 W

Dłuższa przerwa w użytkowaniu

Jeśli urządzenie nie jest używane przez dłuższy czas:

Wyjmij żywność.

Odłącz przewód zasilający.

Wyczyść urządzenie jak opisano powyżej.

Zostaw drzwi otwarte, aby zapobiec tworzeniu się wewnątrz nieprzyjemnych zapachów.



UWAGA

Wyłącz urządzenie tylko wtedy, gdy jest to absolutnie konieczne.

Przenoszenie urządzenia

1. Wyjmij wszystkie produkty spożywcze i odłącz urządzenie od zasilania.
2. Zabezpiecz taśmą klejącą półki i inne ruchome części w zamrażarce.
3. Nie przechylaj chłodziarki pod kątem większym niż 45°, aby uniknąć uszkodzenia układu chłodniczego.



OSTRZEŻENIE!

- ▶ Nie podnoś urządzenia za klamki.
- ▶ Nigdy nie należy ustawiać urządzenia poziomo na ziemi.

Wiele problemów można rozwiązać samodzielnie, bez specjalistycznej wiedzy. W przypadku problemów prosimy sprawdzić wszystkie pokazane możliwości i postępować zgodnie z poniższymi instrukcjami przed skontaktowaniem się z obsługą posprzedażową. Zob. OBSŁUGA KLIENTA.



OSTRZEŻENIE!

- ▶ Przed przystąpieniem do konserwacji wyłącz urządzenie i wyjmij wtyczkę z gniazdka sieciowego.
- ▶ Urządzenie elektryczne powinno być serwisowane tylko przez wykwalifikowanych ekspertów, ponieważ niewłaściwe naprawy mogą spowodować znaczne szkody.
- ▶ Jeśli kabel zasilania jest uszkodzony, musi on zostać wymieniony przez producenta, serwisanta lub inną wykwalifikowaną osobę w celu uniknięcia niebezpieczeństwa.

Problem	Potencjalna przyczyna	Możliwe rozwiązanie
Sprężarka nie działa.	<ul style="list-style-type: none"> • Wtyczka sieciowa nie jest podłączona do gniazdka. • Urządzenie znajduje się w cyklu rozmrażania 	<ul style="list-style-type: none"> • Podłącz wtyczkę sieciową. • Jest to normalne w przypadku automatycznego odszraniania
Urządzenie działa często lub przez zbyt długi okres czasu.	<ul style="list-style-type: none"> • Temperatura wewnątrz i na zewnątrz urządzenia jest za wysoka. • Urządzenie było odłączone od zasilania przez określony czas. • Drzwi urządzenia nie są szczelnie zamknięte. • Drzwi były za często otwierane lub pozostawały długo otwarte. • Ustawienie temperatury w komorze zamrażarki jest zbyt niskie. • Uszczelki drzwi są zabrudzone, zużyte, pęknięte lub niedopasowane. • Wymagany przepływ powietrza nie jest gwarantowany. 	<ul style="list-style-type: none"> • W tym przypadku to normalne, że urządzenie będzie pracować dłużej. • Całkowite schłodzenie urządzenia trwa zazwyczaj od 8 do 12 godzin. • Zamknij drzwi i upewnij się, że urządzenie jest ustawione na płaskiej powierzchni i jedzenie lub pojemniki nie blokują drzwi. • Nie otwieraj drzwi/szuflad zbyt często. • Ustaw wyższą temperaturę, aż do uzyskania zadowalającej temperatury w chłodziarce. Temperatura chodziarki ustabilizuje się po 24 godzinach. • Wyczyść uszczelki drzwi/szuflady lub wymień je z pomocą serwisu obsługi klienta. • Zapewnij odpowiednią wentylację.



Problem	Potencjalna przyczyna	Możliwe rozwiązanie
Wnętrze chłodziarki jest brudne i/lub nieprzyjemnie pachnie.	<ul style="list-style-type: none"> Wnętrze chłodziarki wymaga czyszczenia. W chłodziarce przechowywana jest żywność o intensywnym zapachu. 	<ul style="list-style-type: none"> Wyczyść wnętrze chłodziarki. Dokładnie owiń żywność.
Wewnątrz urządzenia nie jest wystarczająco zimno.	<ul style="list-style-type: none"> Ustawiona temperatura jest za wysoka. Była przechowywana zbyt ciepła żywność. W chłodziarce umieszczono zbyt dużą ilość żywności. Żywność jest zbyt blisko siebie. Drzwi/szuflada urządzenia nie są szczelnie zamknięte. Drzwi/szuflad były za często otwierane lub pozostawały długo otwarte. 	<ul style="list-style-type: none"> Ponownie ustaw temperaturę. Zawsze schładzaj żywność przed jej przechowywaniem. Zawsze przechowuj małe ilości żywności. Pozostawić przerwę między produktami spożywczymi, umożliwiając przepływ powietrza. Zamknij drzwi/szufladę. Nie otwieraj drzwi/szuflad zbyt często.
Wnętrze urządzenia jest za zimne.	<ul style="list-style-type: none"> Temperatura jest za niska. 	<ul style="list-style-type: none"> Ponownie ustaw temperaturę.
Powstawanie wilgoci na wewnętrznych ściankach komory.	<ul style="list-style-type: none"> Klimat jest zbyt ciepły i wilgotny. Drzwi/szuflada urządzenia nie są szczelnie zamknięte. Drzwi/szuflad były za często otwierane lub pozostawały długo otwarte. Pojemniki na żywność lub płyny są otwarte. 	<ul style="list-style-type: none"> Zwiększ temperaturę. Zamknij drzwi/szufladę. Nie otwieraj drzwi/szuflad zbyt często. Pozostaw gorącą żywność do ostygnięcia do temperatury pokojowej i przykryj żywność oraz płyny.
Wilgoć gromadzi się na zewnętrznej powierzchni chłodziarki lub między drzwiami a szufladą.	<ul style="list-style-type: none"> Klimat jest zbyt ciepły i wilgotny. Drzwi nie są szczelnie zamknięte. Zimne powietrze skrapla się wewnątrz urządzenia, a ciepłe powietrze na zewnątrz. 	<ul style="list-style-type: none"> Jest to normalne zjawisko w wilgotnym klimacie i zmieni się, gdy wilgotność spadnie. Upewnij się, że drzwi/szuflada są szczelnie zamknięte.

Problem	Potencjalna przyczyna	Możliwe rozwiązanie
Nadmierny lód i szron w komorze zamrażarki.	<ul style="list-style-type: none"> • Artykuły spożywcze nie zostały odpowiednio zapakowane. • Drzwi/szuflada urządzenia nie są szczelnie zamknięte. • Drzwi/szuflad były za często otwierane lub pozostawały długo otwarte. • Uszczelki drzwi/szuflady są brudne, zużyte, pęknięte lub niedopasowane. • Coś wewnątrz uniemożliwia prawidłowe zamknięcie drzwi/szuflady. 	<ul style="list-style-type: none"> • Zawsze właściwie zapakuj artykuły spożywcze. • Zamknij drzwi/szufladę. • Nie otwieraj drzwi/szuflad zbyt często. • Wyczyść uszczelki drzwi lub wymień je na nowe. • Ponownie umieść półki, półki na drzwi lub pojemniki wewnętrzne, aby umożliwić zamknięcie drzwi/szuflady.
Boki obudowy i listwa drzwiowa nagrzewają się.	<ul style="list-style-type: none"> • - 	<ul style="list-style-type: none"> • To normalne.
Urządzenie wydaje dziwne dźwięki.	<ul style="list-style-type: none"> • Urządzenie nie znajduje się na wypoziomowanym podłożu. • Urządzenie dotyka jakiegoś przedmiotu. 	<ul style="list-style-type: none"> • Wyreguluj nóżki, aby wypoziomować urządzenie. • Usuń objekty znajdujące się w pobliżu urządzenia.
Słychać delikatny szum podobny do płynącej wody.	<ul style="list-style-type: none"> • - 	<ul style="list-style-type: none"> • To normalne.
Usłyszysz sygnał alarmowy.	<ul style="list-style-type: none"> • Drzwi komory chłodziarki są otwarte. 	<ul style="list-style-type: none"> • Zamknij drzwi.
Usłyszysz słaby szum.	<ul style="list-style-type: none"> • Układ antykondensacyjny działa 	<ul style="list-style-type: none"> • Zapobiega to kondensacji i jest normalne
Oświetlenie wnętrza lub układ chłodzenia nie działa.	<ul style="list-style-type: none"> • Jest w trybie demonstracyjnym 	<ul style="list-style-type: none"> • Lodówka jest podłączona do prądu, a drzwi lodówki są otwarte. • Naciśnij i przytrzymaj przycisk K1, a następnie kliknij pięć razy przycisk K2, a ikona przestanie świecić cyklicznie.
Oświetlenie wnętrza lub układ chłodzenia nie działa.	<ul style="list-style-type: none"> • Wtyczka sieciowa nie jest podłączona do gniazdka. • Zasilanie nie jest w dobrym stanie. • Lampa LED nie działa. 	<ul style="list-style-type: none"> • Podłącz wtyczkę sieciową. • Sprawdź zasilanie elektryczne w pomieszczeniu. Skontaktuj się z lokalnym dostawcą energii elektrycznej! • Wezwij serwis w celu wymiany lampki.



Aby skontaktować się z pomocą techniczną, odwiedź naszą stronę internetową:
<https://corporate.haier-europe.com/en/>

W sekcji „Strona internetowa” wybierz markę swojego produktu i kraj. Zostaniesz przekierowany/a na konkretną stronę internetową, na której znajdziesz numer telefonu i formularz do kontaktu z pomocą techniczną.

Przerwa w zasilaniu

W przypadku przerwy w dostawie prądu żywność powinna zachować bezpieczną temperaturę przez około 5 godzin. Podczas dłuższej przerwy w dostawie prądu, zwłaszcza latem, należy stosować się do poniższych wskazówek:

- ▶ Unikaj częstego otwierania drzwi/szuflady.
- ▶ Nie wkładaj do urządzenia dodatkowej żywności podczas przerwy w dostawie prądu.
- ▶ Jeżeli powiadomiono wcześniej o przerwie w dostawie prądu, a czas trwania przerwy przekracza 5 godzin, należy przygotować trochę lodu i umieścić go w pojemniku na górze komory chłodziarki
- ▶ Kontrola towaru jest wymagana niezwłocznie po przerwie.
- ▶ Ponieważ temperatura w chłodziarce wzrośnie podczas przerwy w zasilaniu lub innej awarii, okres przechowywania i jadalna jakość żywności ulegną skróceniu. Każda żywność, która się rozmraża, powinna zostać spożyta lub ugotowana i ponownie zamrożona (w stosownych przypadkach) wkrótce po tym, aby zapobiec zagrożeniom dla zdrowia.

Funkcja pamięci podczas przerwy w zasilaniu

Po przywróceniu zasilania urządzenie kontynuuje ustawienia ustawione przed awarią zasilania.

Rozpakowanie



OSTRZEŻENIE!

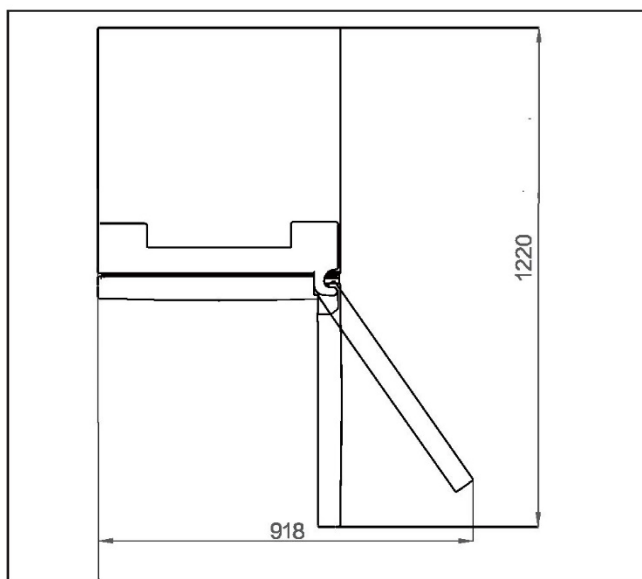
- ▶ Urządzenie jest ciężkie. Prace powinny być wykonywane przez co najmniej dwie osoby.
- ▶ Wszystkie materiały opakowaniowe należy przechowywać poza zasięgiem dzieci i utylizować w sposób przyjazny dla środowiska.
- ▶ Wyjmij urządzenie z opakowania.
- ▶ Usuń całe opakowanie.

Warunki środowiskowe

Temperatura w pomieszczeniu powinna zawsze wynosić od 10°C do 43°C w przypadku lodówki CNCQ2T620EX, CNCQ2T620EW, CNCQ2T618EX, CNCQ4T618EW, CNCQ4T618EB; albo temperatura w pomieszczeniu powinna zawsze mieścić się w przedziale od 10°C do 38°C w przypadku lodówki CNCQ4T620DX, CNCQ4T620DW, ponieważ może ona wpływać na temperaturę wewnątrz urządzenia i jego zużycie energii. Nie ustawiaj urządzenia w pobliżu innych urządzeń bez izolacji emitujących ciepło (piekarniki, chłodziarki).

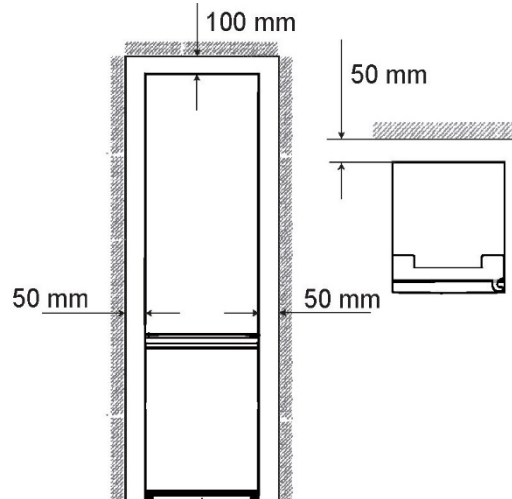
Wymagana przestrzeń

Zalecana przestrzeń, gdy drzwi są



Przekrój wentylatora

Aby ze względów bezpieczeństwa zapewnić wystarczającą wentylację urządzenia, zaleca się przestrzeganie informacji o przekrojach wentylacyjnych

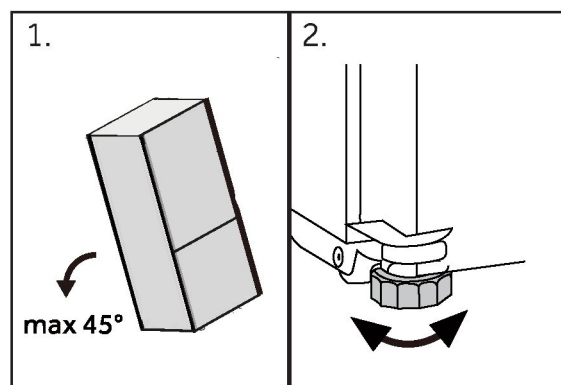


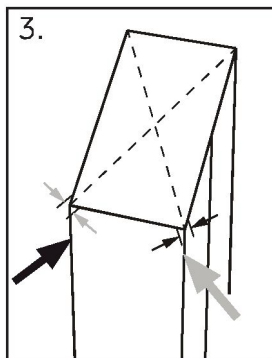
Ustawianie urządzenia

Urządzenie powinno być umieszczone na płaskiej i stabilnej powierzchni.

1. Odchyl chłodziarkę lekko do tyłu.
2. Ustaw nóżki na żądanym poziomie.

Upewnij się, że odległość od ściany po stronie zawiasu wynosi co najmniej 100 mm, aby drzwi mogły się prawidłowo otworzyć.



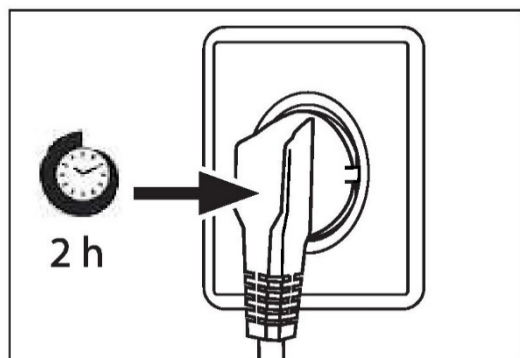


1. Stabilność można sprawdzić, popychając urządzenie naprzemiennie w linii przekątnych. Lekkie kołysanie powinno być takie same w obu kierunkach. W przeciwnym razie rama może się wykrzywić; w rezultacie może dojść do rozszczelnienia drzwi. Niewielki przechył do tyłu pomaga przy zamykaniu drzwi.



UWAGA

Dotyczy urządzenia wolnostojącego: To urządzenie chłodnicze nie jest przeznaczone do zabudowy



Czas oczekiwania

W zbiorniku sprężarki znajduje się olej bezobsługowy. Olej ten może przedostać się poprzez zamknięty system rur podczas transportu w pozycji przechylonej. Przed podłączeniem urządzenia do zasilania trzeba odczekać co najmniej 2 godziny, aby olej spłynął z powrotem do zbiornika.

Podłączenie do prądu

Przed każdym podłączeniem sprawdź, czy:

- ▶ zasilacz, gniazdo i bezpieczniki odpowiadają parametrom podanym na tabliczce znamionowej.
- ▶ gniazdko jest uziemione i nie zastosowano rozgałęźnika lub przedłużacza.
- ▶ wtyczka i gniazdko są ściśle zgodne.

Podłącz wtyczkę do prawidłowo zainstalowanego gniazdka domowego.



OSTRZEŻENIE!

Aby uniknąć ryzyka, uszkodzony przewód zasilający musi być wymieniony przez serwis (zob. karta gwarancyjna).

Zmiana kierunku otwierania drzwi

Przed podłączeniem urządzenia do zasilania należy sprawdzić, czy nie trzeba zmienić kierunku otwierania drzwi z prawego (ustawienie przy odbiorze) na lewy, jeśli jest to konieczne ze względu na miejsce instalacji i użytkowania.



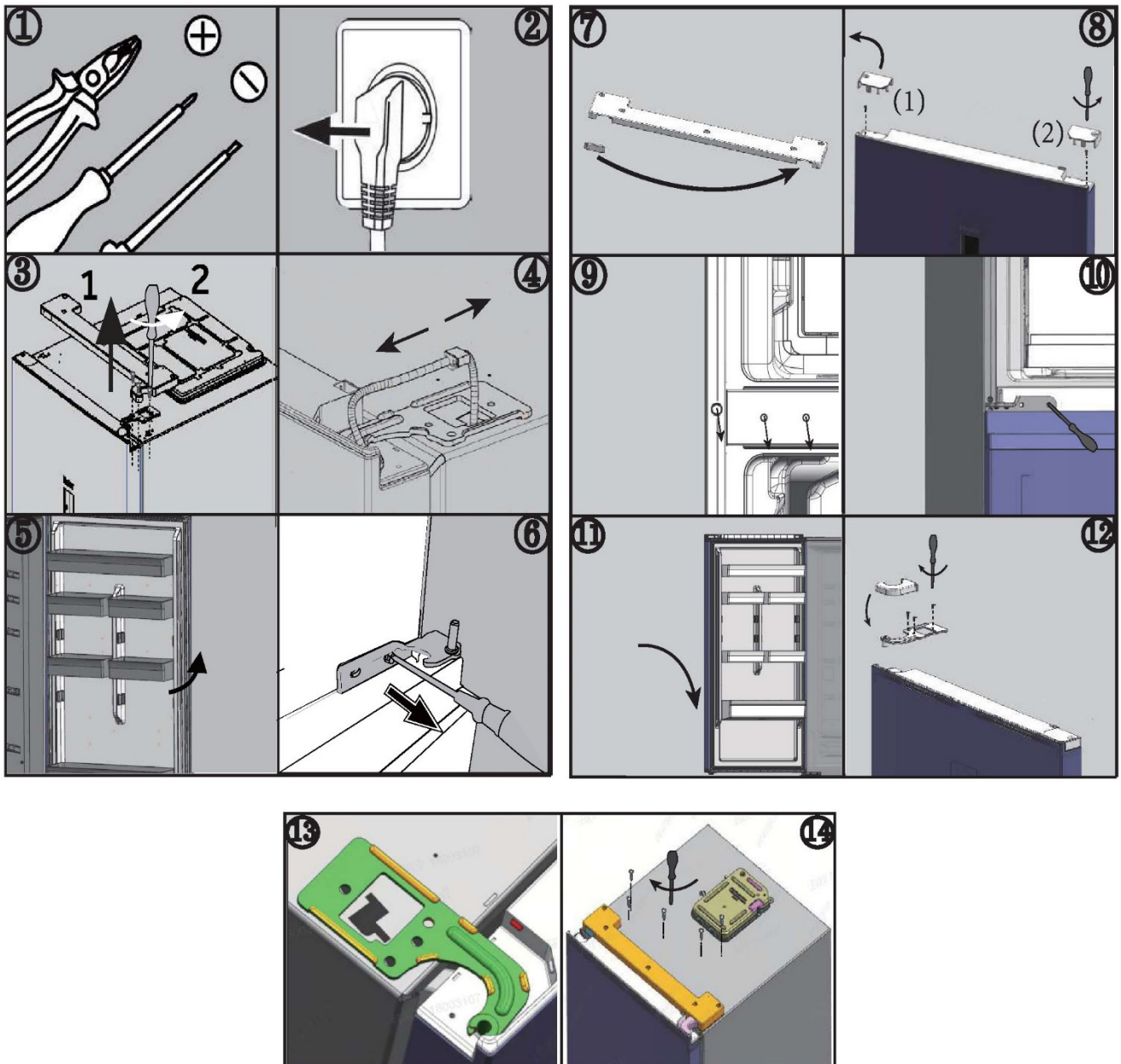
OSTRZEŻENIE!

- ▶ Urządzenie jest ciężkie. Potrzebne są dwie osoby do zmiany kierunku otwierania drzwi.
- ▶ Przed rozpoczęciem jakichkolwiek czynności należy najpierw odłączyć urządzenie od sieci
- ▶ Nie przechylaj chłodziarki bardziej niż 45°, aby uniknąć uszkodzenia układu chłodniczego.

Etapy montażu

1. Używaj odpowiednich narzędzi.
2. Odłącz urządzenie od prądu.
3. Zdejmij osłonę górnego zawiasu 1 i odkręć górny zawias (trzy śruby) po prawej stronie 2.
4. Ostrożnie zdejmij luźne drzwi chłodziarki ze środkowego zawiasu.
5. Usuń środkowy zawias.
6. Zdejmij małą osłonę panelu przedniego od lewej do prawej strony.
7. Odwróć drzwi do góry nogami i odkręć pokrywę (1). Wyjmij nową osłonę (2) z potrzebnej torby i przykręć ją po przeciwnej stronie.
8. Zmień położenie zaślepek i śruby z boku.
9. Przykręć środkowy zawias do lewej strony urządzenia. Zwróć uwagę na odwrócenie sworznia zawiasu środkowego, tak aby strona z uszczelką była skierowana do góry
10. Ostrożnie podnieś górne drzwi na środkowym zawiasie. Oraz upewnij się, że sworznie pasuje do tulei zawiasu dolnych drzwi.
11. Wyjmij nowy górny zawias i osłonę zawiasu z torby z akcesoriami. Przymocuj górny zawias trzema śrubami po lewej stronie urządzenia. I załóż osłonę zawiasu na zawias.
12. Załóż panel przedni i przymocuj go pięcioma śrubami.

Po zmianie drzwi należy sprawdzić czy uszczelki drzwi dobrze leżą na obudowie i czy wszystkie śruby są dobrze dokręcone.



Temperatury otoczenia

Rozszerzony zakres temperatur: To urządzenie chłodnicze przeznaczone jest do użytkowania w temperaturze otoczenia od 10°C do 32°C

Umiarkowana: to urządzenie chłodnicze jest przeznaczone do użytku w temperaturach otoczenia w zakresie od 16°C do 32°C:

Strefa subtropikalna: To urządzenie chłodnicze przeznaczone jest do użytkowania w temperaturze otoczenia od 16°C do 38°C;

Strefa tropikalna: To urządzenie chłodnicze przeznaczone jest do użytkowania w temperaturze otoczenia od 16°C do 43°C.

Parametry produktu zgodnie z rozporządzeniem UE nr 2019/2016

Na podstawie standardowych wyników testów dla okresu 24 godzin. Rzeczywiste zużycie energii zależy od sposobu użytkowania urządzenia i jego lokalizacji

Model	CNCQ4T620EW CNCQ4T620EX CNCQ4T620EB	CNCQ4T620DX CNCQ4T620DW	CNCQ4T620CX
Typ urządzenia chłodniczego	Chłodziarko-zamrażarka	Chłodziarko-zamrażarka	Chłodziarko-zamrażarka
Klasa efektywności energetycznej	E	D	C
Roczne zużycie energii (kWh/rok)	279	223	178
Pojemność komory chłodziarki (l)	289	289	289
Pojemność komory zamrażarki (l)	120	120	120
Klasa zamrażania	4 gwiazdki	4 gwiazdki	4 gwiazdki
Rodzaj rozmrażania	Automatyczne rozmrażanie	Automatyczne rozmrażanie	Automatyczne rozmrażanie
Czas wzrostu temperatury (h)	11	11	13
Wydajność zamrażania (kg/24h)	10	10	10
Klasa klimatyczna	SN.N.ST	SN.N.ST.T	SN.N.ST.T



Model	CNCQ4T618DX	CNCQ4T618EW CNCQ4T618EX CNCQ4T618EB
Typ urządzenia chłodniczego	Chłodziarko-zamrażarka	Chłodziarko-zamrażarka
Klasa efektywności energetycznej	D	E
Roczne zużycie energii (kWh/rok)	216	270
Pojemność komory chłodziarki (l)	235	235
Pojemność komory zamrażarki (l)	120	120
Klasa zamrażania	4 gwiazdki	4 gwiazdki
Rodzaj rozmrażania	Automatyczne rozmrażanie	Automatyczne rozmrażanie
Czas wzrostu temperatury (h)	11	11
Wydajność zamrażania (kg/24h)	10	10
Klasa klimatyczna	SN.N.STT	SN.N.ST

Objaśnienie:

- Tak, wyróżnione

(1) Na podstawie wyników badania zgodności norm w ciągu 24 godzin.

Rzeczywiste zużycie zależy od użytkownika i lokalizacji urządzenia.

(2) Klasa klimatyczna SN: To urządzenie jest przeznaczone do użytku w temperaturze otoczenia od +10°C do +32°C

Klasa klimatyczna N: To urządzenie jest przeznaczone do użytku w temperaturze otoczenia od +16°C do +32°C

Klasa klimatyczna ST: To urządzenie jest przeznaczone do użytku w temperaturze otoczenia od +16°C do +38°C

Klasa klimatyczna T: To urządzenie jest przeznaczone do użytku w temperaturze otoczenia od +16°C do +43°C

Dodatkowe dane techniczne

Model	CNCQ4T620EW CNCQ4T620EX CNCQ4T620EB	CNCQ4T620DX CNCQ4T620DW	CNCQ4T618EW CNCQ4T618EX CNCQ4T618EB
Całkowita pojemność (l)	409	409	355
Napięcie / Częstotliwość	220-240 V ~ / 50 Hz	220-240 V ~ / 50 Hz	220-240 V ~ / 50 Hz
Prąd znamionowy (A)	0.9	1,4	0.9
Bezpiecznik główny (A)	15	15	15
Chłodziwo	R600a(53g)	R600a(53g)	R600a(53g)
Wymiary (szer./głęb./wys. W mm)	595*667*2050	595*667*2050	595*667*1850

Model	CNCQ4T620CX	CNCQ4T618DX
Całkowita pojemność (l)	409	355
Napięcie / Częstotliwość	220-240 V ~ / 50 Hz	220-240 V ~ / 50 Hz
Prąd znamionowy (A)	1,4	1,4
Bezpiecznik główny (A)	15	15
Chłodziwo	R600a (50g)	R600a(53g)
Wymiary (szer./głęb./wys. w mm)	595*667*2050	595*667*1850



Polecamy nasz system Obsługi Klienta Haier i stosowanie oryginalnych części zamiennych. Jeśli masz problem z urządzeniem, najpierw sprawdź sekcję ROZWIĄZYWANIE PROBLEMÓW.

Jeżeli nie możesz znaleźć rozwiązania, skontaktuj się

- ▶ z lokalnym sprzedawcą lub
- ▶ naszym Europejskim Centrum Obsługi Klienta (zob. poniżej wymienione numery telefonów) lub
- ▶ obszarem serwisu i wsparcia na stronie www.haier.com, gdzie można aktywować zgłoszenie
- ▶ serwisowe i znaleźć odpowiedzi na najczęściej zadawane pytania.

Zanim skontaktujesz się z naszym działem obsługi, upewnij się, że masz następujące dane.

Informacje można znaleźć na tabliczce znamionowej.

Model _____

Nr seryjny _____

Sprawdź także kartę gwarancyjną dostarczoną z produktem.

Europejskie Centrum Obsługi Klienta		
Kraj*	Numer telefonu	Koszty
Haier Italy (IT)	199 100 912	
Haier Spain (ES)	902 509 123	
Haier Germany (DE)	0180 5 39 39 99	<ul style="list-style-type: none"> • 14 centów/min. telefon stacjonarny • maks. 42 centów/min. telefon komórkowy
Haier Austria (AT)	0820 001205	<ul style="list-style-type: none"> • 14,53 centów/min. telefon stacjonarny • maks. 20 centów/min. wszystkie pozostałe
Haier United Kingdom (UK)	0333 003 8122	
Haier France (FR)	0980 406 409	



*Numery innych krajów można znaleźć na stronie www.haier.com

Haier Europe Trading S.r.l

Oddział Wielka Brytania

Westgate House, Westgate, Ealing

Londyn, W5 1YY

*Okres gwarancji na urządzenie chłodnicze:

Minimalna gwarancja wynosi: 2 lata dla krajów UE, 3 lata dla Turcji, 1 rok dla Wielkiej Brytanii, 1 rok dla Rosji, 3 lata dla Szwecji, 2 lata dla Serbii, 5 lat dla Norwegii, 1 rok dla Maroka, 6 miesięcy dla Algierii, w Tunezji nie jest wymagana gwarancja prawna.

*Okres dla części zamiennych do naprawy urządzenia:

Termostaty, czujniki temperatury, płytki drukowane i źródła światła są dostępne przez okres co najmniej siedem lat od wprowadzenia na rynek ostatniego egzemplarza modelu.

Klamki, zawiasy drzwi, tace i kosze przez okres co najmniej siedem lat, a uszczelki drzwi przez okres co najmniej 10 lat od wprowadzenia na rynek ostatniego egzemplarza modelu.

Aby uzyskać więcej informacji o produkcie, odwiedź stronę internetową <https://eprel.ec.europe.eu/> lub zeskanuj kod QR na etykiecie wydajności energetycznej dołączonej do urządzenia.

<u>5</u> <u>Informações de segurança</u>	Antes da primeira utilização	6
	Instalação	6
	Utilização diária	7
<u>10</u> <u>Utilização prevista</u>		
<u>11</u> <u>Descrição do produto</u>		
<u>13</u> <u>Painel de controlo</u>		
<u>14</u> <u>Utilização</u>	Ajustar a temperatura do frigorífico	15
	Ajustar a temperatura do congelador	15
	Função Super Freeze	15
	Função Super Cool	16
	Função Fresh 0°C	15
<u>20</u> <u>Equipamento</u>		
<u>22</u> <u>Dicas de poupança de energia</u>		
<u>23</u> <u>Cuidados e limpeza</u>		
<u>25</u> <u>Resolução de problemas</u>		
<u>29</u> <u>Instalação</u>		
<u>33</u> <u>Dados técnicos</u>		
<u>36</u> <u>Assistência ao cliente</u>		



Clique no conteúdo para ver as informações pormenorizadas.



Obrigado por comprar um Produto Candy.

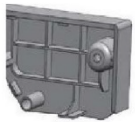
Leia atentamente estas instruções antes de utilizar este aparelho. As instruções contêm informações importantes que irão ajudá-lo a obter o melhor proveito do aparelho e garantir a instalação, o uso e a manutenção seguros e adequados.

Mantenha este manual num local conveniente para que o possa sempre consultar para uma utilização segura e adequada do aparelho.

Se vender, oferecer ou deixar o aparelho para trás, caso mude de casa, certifique-se de que entrega também este manual para que o novo proprietário se possa familiarizar com o aparelho e os avisos de segurança.

Acessórios

Verifique os acessórios e a literatura de acordo com esta lista:



Inserção
da tampa



Etiqueta
energética



Cartão
de garantia



Guia rápido



Dobradiças
da porta



Tampa
da dobradiça



AVISO - Informação importante de segurança



NOTA - Informações gerais e dicas



Informação ambiental



Eliminação

Ajude a proteger o ambiente e a saúde humana. Coloque a embalagem em recipientes adequados para reciclagem. Ajude a reciclar resíduos de aparelhos elétricos e eletrónicos. Não elimine os aparelhos identificados com este símbolo com o lixo doméstico. Entregue o produto na sua unidade de reciclagem local ou entre em contacto com seu gabinete municipal.



AVISO!

Risco de lesão ou sufocação!

Os refrigerantes e os gases devem ser eliminados de forma profissional. Certifique-se de que os tubos do circuito refrigerante não estão danificados antes de serem devidamente eliminados. Desligue o aparelho da alimentação elétrica. Corte o cabo de alimentação de rede e elimine-o. Remova as bandejas e gavetas, bem como a pega e vedantes da porta, para evitar que crianças e animais de estimação se fechem no interior do aparelho.



Antes de ligar o aparelho pela primeira vez, leia as seguintes dicas de segurança!:



AVISO!

Antes da primeira utilização

- ▶ Certifique-se de que não há danos provocados pelo transporte.
- ▶ Remova todas as embalagens e mantenha-as fora do alcance das crianças.
- ▶ Aguarde no mínimo duas horas antes de instalar o aparelho, de forma a garantir que o circuito refrigerante está com eficiência total.
- ▶ Manuseie o aparelho sempre com pelo menos duas pessoas porque é pesado.

Instalação

- ▶ O aparelho deve ser colocado num local bem ventilado. Certifique-se de que existe um espaço de, pelo menos, 10 cm por cima e ao redor do aparelho.
- ▶ Nunca coloque o aparelho numa área húmida ou num local onde possa ser salpicado com água. Limpe e seque as salpicos de água e manchas com um pano macio limpo.
- ▶ Não instale o aparelho sob luz solar direta ou na proximidade de fontes de calor (por exemplo, fogões, aquecedores).
- ▶ Instale e nivele o aparelho numa área adequada para o seu tamanho e utilização.
- ▶ Mantenha as aberturas de ventilação no aparelho ou na estrutura embutida livres de obstruções.
- ▶ Certifique-se de que as informações elétricas na placa de classificação correspondem à rede elétrica. Se não, entre em contato com um electricista.
- ▶ O aparelho é operado por uma fonte de alimentação de 220-240 VAC/50 Hz. Uma flutuação da tensão anormal pode fazer com que o aparelho não ligue ou danifique o controlo da temperatura ou o compressor, ou pode haver um ruído anormal durante o funcionamento. Nesse caso, deve ser montado um regulador automático.
- ▶ Não use adaptadores de fichas múltiplas nem cabos de extensão.
- ▶ Não coloque tomadas triplas múltiplas portáteis ou fontes de alimentação portáteis na parte traseira do aparelho.
- ▶ Certifique-se de que o cabo de alimentação não fica preso pelo frigorífico. Não pise o cabo de alimentação.



AVISO!

- ▶ Use uma tomada de terra separada para a rede elétrica que seja fácil de aceder. Este aparelho deve ser ligado à terra.
Apenas para o Reino Unido: O cabo de alimentação do aparelho está equipado com uma ficha de 3 cabos (terra) que se encaixa numa tomada standard de 3 cabos (ligada à terra). Nunca corte ou desmonte o terceiro pino (terra). Após a instalação do aparelho, a tomada deve ficar acessível.
- ▶ Não danifique o circuito refrigerante.

Utilização diária

- ▶ Este aparelho pode ser utilizado por crianças de idade igual ou superior a 8 anos e por pessoas com capacidades físicas, sensoriais ou mentais reduzidas ou falta de experiência e conhecimento, caso lhes tenha sido fornecida supervisão ou instruções relativas à utilização do aparelho de forma segura e desde que compreendam os perigos envolvidos.
- ▶ As crianças de 3 a 8 anos são autorizadas a carregar e descarregar, mas não podem limpar e instalar os aparelhos de refrigeração.
- ▶ Mantenha as crianças com menos de 3 anos de idade afastadas do aparelho, a menos que estejam constantemente sob supervisão.
- ▶ As crianças não devem brincar com o aparelho.
- ▶ Se o gás refrigerante ou outro gás inflamável verter perto do aparelho, desligue a válvula do gás de fuga, abra as portas e janelas e não desligue uma ficha no cabo de alimentação do frigorífico ou de qualquer outro aparelho.
- ▶ O aparelho, por exemplo CNCQ4T620EX, CNCQ4T620EW, CNCQ4T618EX, CNCQ4T618EW, CNCQ4T618EB, está regulado para funcionar num intervalo de temperatura ambiente específico entre 10°C e 38°C. O aparelho não pode funcionar corretamente se for deixado por um longo período a uma temperatura acima ou abaixo do intervalo indicado.
- ▶ O aparelho, por exemplo CNCQ4T620DX, CNCQ4T620DW, CNCQ4T620CX, está regulado para funcionar num intervalo de temperatura ambiente específico entre 10°C e 43°C. O aparelho não pode funcionar corretamente se for deixado por um longo período a uma temperatura acima ou abaixo do intervalo indicado.
- ▶ Não coloque artigos instáveis (objetos pesados, recipientes cheios de água) em cima do frigorífico, para evitar lesões pessoais causadas por queda ou choque elétrico causado pelo contacto com a água.
- ▶ Não puxe pelas prateleiras da porta. A porta pode inclinar-se, o suporte de garrafas pode sair para fora ou o aparelho pode tombar.

**AVISO!**

- ▶ Não guarde nem use materiais inflamáveis, explosivos ou corrosivos no aparelho ou nas proximidades.
 - ▶ Não guarde medicamentos, bactérias ou agentes químicos no aparelho. Este aparelho é um eletrodoméstico. Não é recomendado armazenar materiais que necessitem de temperaturas rigorosas.
 - ▶ Nunca guarde líquidos em garrafas ou latas (exceto bebidas alcoólicas) especialmente bebidas gaseificadas no congelador, porque estas rebentam quando congeladas.
 - ▶ Verifique o estado dos alimentos caso ocorra aquecimento no congelador.
 - ▶ Não ajuste uma temperatura desnecessariamente baixa no frigorífico. Podem ocorrer temperaturas negativas com altas definições. Atenção: As garrafas podem rebentar
 - ▶ Não toque em artigos congelados com as mãos húmidas (use luvas). Especialmente não coma gelados de gelo imediatamente depois de os retirar do congelador. Existe o risco de congelar ou de se formarem bolhas de queimadura por gelo. PRIMEIROS socorros: passar imediatamente por água fria corrente. Não puxe!
 - ▶ Não toque na superfície interna do compartimento do congelador, quando em funcionamento, especialmente com as mãos molhadas, pois as mãos podem congelar na superfície.
 - ▶ Desligue o aparelho em caso de interrupção da energia ou antes da limpeza. Deixe passar pelo menos 7 minutos antes de reiniciar o aparelho, pois o arranque frequente pode danificar o compressor.
 - ▶ Não utilize dispositivos elétricos no interior dos compartimentos para armazenamento de comida do aparelho, a não ser que sejam do tipo recomendado pelo fabricante.
- Manutenção/limpeza
- ▶ Certifique-se de que as crianças estão vigiadas caso estejam a realizar a limpeza e manutenção.
 - ▶ Desligue o aparelho da alimentação elétrica antes de realizar qualquer manutenção de rotina. Deixe passar pelo menos 5 minutos antes de voltar a ligar o aparelho pois o arranque frequente pode danificar o compressor.
 - ▶ Ao posicionar o aparelho, certifique-se de que o cabo de alimentação não se encontra preso nem danificado.
 - ▶ Não coloque tomadas triplas múltiplas portáteis ou fontes de alimentação portáteis na parte traseira do aparelho.
 - ▶ Não use aparelhos elétricos no interior dos compartimentos para alimentos do aparelho, a não ser que sejam do tipo recomendado pelo fabricante.
 - ▶ Não guarde substâncias explosivas como, por exemplo, latas de aerossóis, com um carburante inflamável, no interior deste aparelho.



AVISO!

- ▶ Segure a ficha, não o cabo, ao desligar o aparelho.
- ▶ Não limpe o aparelho com escovas duras, escovas de arame, detergente em pó, gasolina, acetato de amilo, acetona e soluções orgânicas semelhantes, soluções ácidas ou alcalinas. Limpe com detergente especial do frigorífico para evitar danos.
- ▶ Não raspe o gelo com objetos afiados. Não use sprays, aquecedores elétricos, como secadores de cabelo, dispositivos de limpeza a vapor ou outras fontes de calor, de forma a evitar danos às peças plásticas.
- ▶ Não utilize dispositivos mecânicos ou outros meios para acelerar o processo de descongelação, que não os recomendados pelo fabricante.
- ▶ Se o cabo de alimentação estiver danificado, tem de ser substituído pelo fabricante, pelo agente de serviço ou por pessoas igualmente qualificadas de forma a evitar o perigo.
- ▶ Não tente reparar, desmontar ou modificar o aparelho sozinho. Em caso de reparação, entre em contato com a nossa assistência ao cliente.
- ▶ Elimine o pó na parte de trás da unidade pelo menos uma vez no ano para evitar perigo de incêndio, bem como o aumento do consumo de energia.
- ▶ Não pulverize ou lave o aparelho durante a limpeza.
- ▶ Não use spray de água ou vapor para limpar o aparelho.
- ▶ Não lave prateleiras de vidro frias com água quente. A mudança súbita de temperatura pode fazer com que o vidro se quebre.

Informações sobre gases refrigerantes



AVISO!

O aparelho contém o refrigerante inflamável ISOBUTANO (R600a). Certifique-se de que o circuito refrigerante não fica danificado durante o transporte ou instalação. A fuga de refrigerante pode causar lesões oculares ou inflamações. Se ocorrer um dano, mantenha afastadas fontes de chama aberta, ventile completamente a sala, não ligue ou desligue os cabos de alimentação do eletrodoméstico ou de qualquer outro aparelho. Informe a assistência ao cliente.

No caso de os olhos entrarem em contacto com o fluido refrigerante, lave-os imediatamente sob água corrente e contacte imediatamente um oftalmologista.



Este aparelho destina-se a arrefecer e congelar alimentos. Foi desenhado exclusivamente para uso em aplicações domésticas e semelhantes, como áreas de cozinha para pessoal em lojas, escritórios e outros ambientes de trabalho; casas agrícolas e por clientes em hotéis, motéis e outros ambientes de tipo residencial, bem como em negócios de pousada e de catering. Não se destina a utilização comercial ou industrial.

Não são permitidas alterações ou modificações no aparelho. Uma utilização indevida pode causar riscos e perda de reivindicações de garantia.

Normas e diretivas **CE**

Este produto cumpre os requisitos de todas as diretivas CE aplicáveis com as normas harmonizadas correspondentes, que permitem a marcação CE.

PROCEDIMENTO DE EMPARELHAMENTO NA APLICAÇÃO

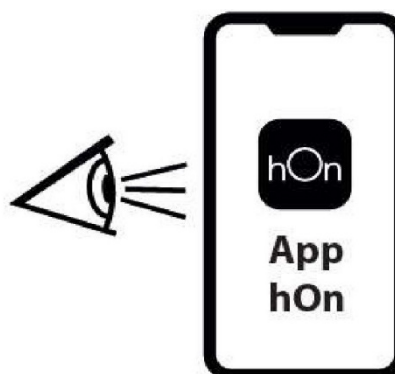
Passo 1 • Faça download da aplicação hOn nas lojas



Passo 2 • Crie a sua conta na aplicação hOn ou faça login se já tiver uma conta



Passo 3 • Siga as instruções de emparelhamento na aplicação hOn

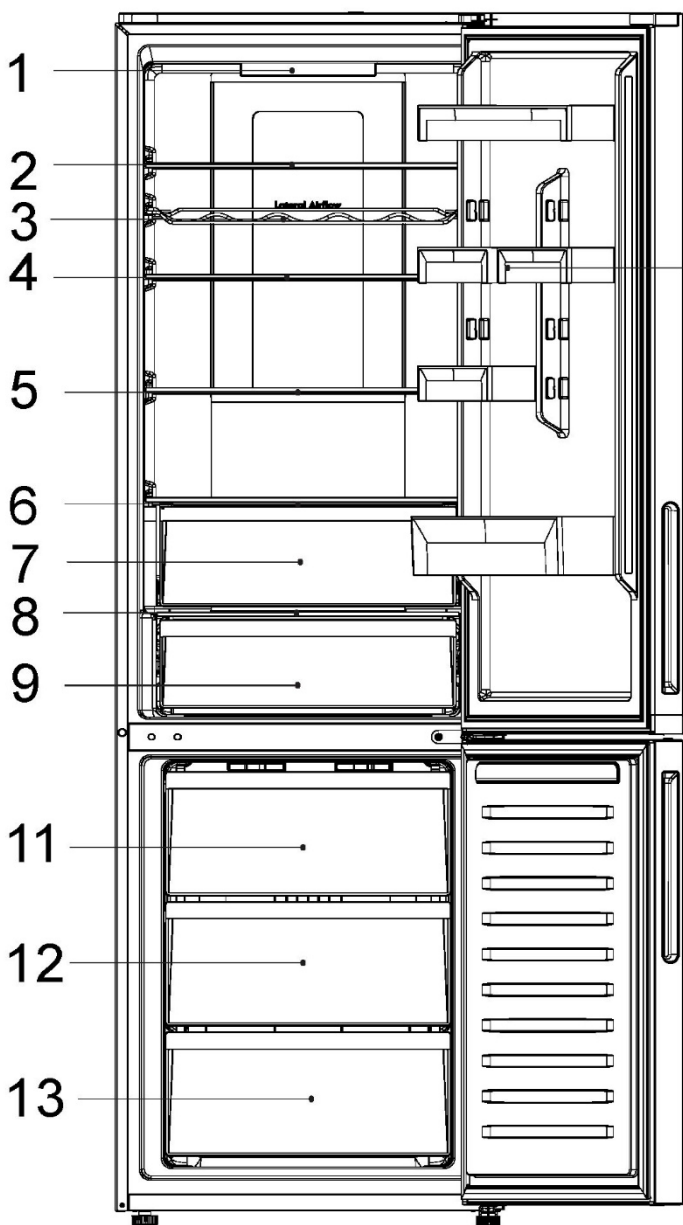


Módulo de rádio - Dados técnicos

Taxa de frequência (OFR)	2400 MHz-2843.5 MHz
Frequências de canal	2412...2472 MHz (tamanho do passo 5 MHz)
Potência máxima (EIRP)	100 mW

i AVISO

Devido a alterações técnicas e a modelos diferentes, algumas das ilustrações neste manual podem ser diferentes do seu modelo.



CNCQ4T620EX
 CNCQ4T620EB
 CNCQ4T620DX
 CNCQ4T620EW
 CNCQ4T620DW
 CNCQ4T620CX

A: Compartimento do frigorífico

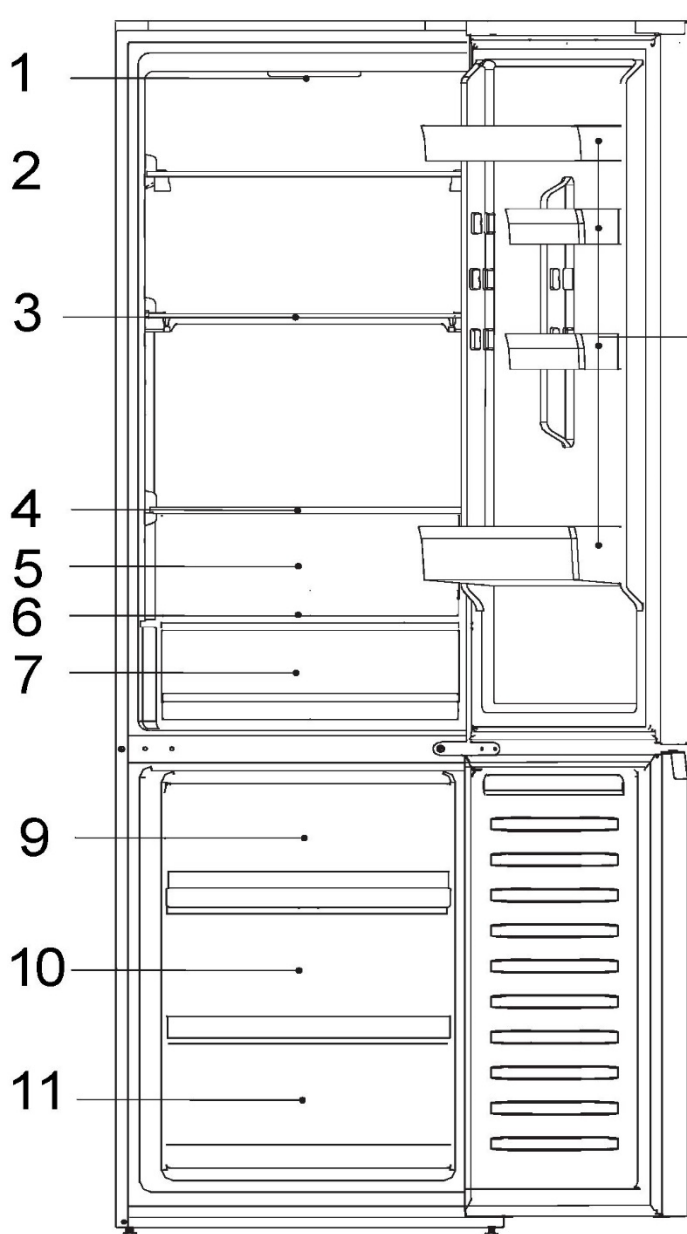
- 1- Painel de controlo
- 2- Prateleira de vidro
- 3- Suporte para vinho
- 4- Prateleira de vidro
- 5- Prateleira de vidro
- 6- Tapa da gaveta
- 7- Graveta Humidity Area
- 8- Tapa da gaveta
- 9- Gaveta Fresh 0°C
- 10- Prateleira da porta

B: Compartimento do congelador

- 11- Gaveta superior do congelador
- 12- Gaveta intermédia do congelador
- 13- Gaveta inferior do congelador

i AVISO

Devido a alterações técnicas e a modelos diferentes, algumas das ilustrações neste manual podem ser diferentes do seu modelo.



CNCQ4T618DW
CNCQ4T618CX
CNCQ4T618EX
CNCQ4T618EB
CNCQ4T618EW

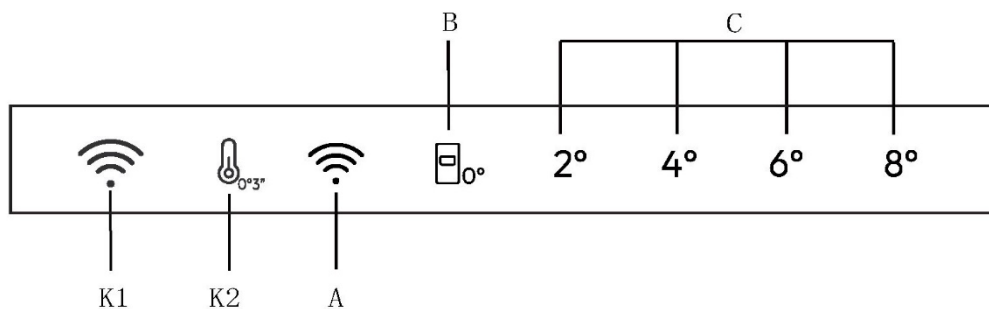
A: Compartmento do frigorífico

- 1- Painel de controlo
- 2- Prateleira de vidro
- 3- Prateleira de vidro
- 4- Prateleira de vidro
- 5- Gaveta Humidity Zone
- 6- Tampa da gaveta
- 7- Gaveta Fresh 0°C
- 8- Prateleira da porta

B: Compartmento do congelador

- 9- Gaveta superior do congelador
- 10- Gaveta intermédia do congelador
- 11- Gaveta inferior do congelador

Painel de controlo



Botões

- K1 Função Wi-Fi on/off.
- K2 Tecla on/off de seleção de temperatura, utilizada para ligar/desligar os indicadores Fresh 0°C
- A Ecrã Wi-Fi.

Indicadores

- B Função Fresh 0°C
- C Indicação da temperatura do frigorífico

Antes da primeira utilização

- ▶ Remova todos os materiais de embalagem e mantenha-os fora do alcance das crianças e elimine-os de forma ecológica.
- ▶ Limpe o interior e o exterior do aparelho, bem como o interior e os acessórios com água e um detergente suave, e seque bem com um pano macio.
- ▶ Após o aparelho ter sido nivelado e limpo, aguarde pelo menos 2 horas antes de o ligar à rede elétrica. Consulte a secção INSTALAÇÃO.
- ▶ Pré-arrefeça os compartimentos com definições elevadas antes de carregar com alimentos.



Botões mecânicos

Os botões do painel de controlo são botões mecânicos.

Ligar/Desligar o aparelho

O aparelho fica em funcionamento assim que for ligado à rede elétrica.

Quando o frigorífico é ligado pela primeira vez, o indicador "4°" de "B" (indicação da temperatura do frigorífico) e o indicador "0°" da gaveta de arrumação 0°C acendem-se. A temperatura do frigorífico e a temperatura do congelador são automaticamente reguladas para 4°C e -20°C respetivamente, a gaveta de arrumação 0°C entra em funcionamento.



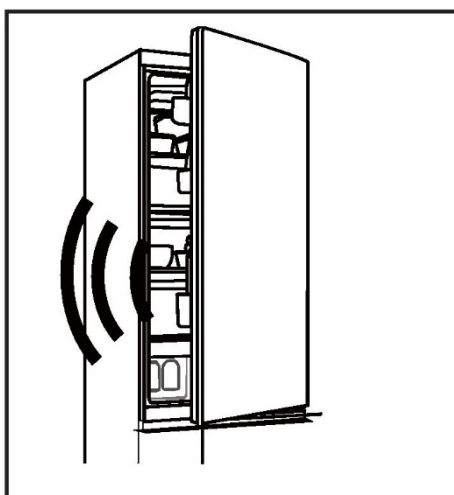
AVISO

O aparelho está predefinido para uma temperatura recomendada de 4°C. Estas são as configurações recomendadas. Se desejar, pode alterar estas temperaturas manualmente.

Alarme de abertura da porta

Quando a porta do frigorífico fica aberta durante mais de 3 minutos, o alarme de abertura da porta soa.

O alarme pode ser silenciado fechando a porta. Se a porta ficar aberta durante mais de 7 minutos, a luz no interior do frigorífico e a iluminação do painel de controlo apagam-se automaticamente.



Ligar/Desligar

Quando o aparelho está ligado, premir o botão K1 durante 3 segundos, o aparelho entra no modo de espera, o compressor para de funcionar e a luz apaga-se; Quando o aparelho está no modo de espera, premir o botão K1 durante 3 segundos, o aparelho é ligado, o compressor funciona e a luz acende-se.

Ajustar a temperatura

As temperaturas interiores são influenciadas pelos seguintes fatores:

Temperatura ambiente



Frequência de abertura da porta
Quantidade de alimentos armazenados
Instalação do aparelho

Regular a temperatura do compartimento do frigorífico/congelador

1. Prima a tecla "K2" (Seleção da Temperatura do Frigorífico) para selecionar a Temperatura do Frigorífico;
2. O indicador "B" (Visor da temperatura do frigorífico) acende-se alternadamente, como indicado abaixo;

2° → 4° → 6° → 8°

3. Quando selecionar a temperatura do Frigorífico no painel de controlo, a temperatura correspondente para o Congelador é 2° (-22°) → 4° (-20°) → 6° (-18°) → 8° (-16°).

Função Fresh 0°C

Para entrar no modo "0°", com a porta do frigorífico aberta, prima o botão K2 durante 3 segundos com um sinal acústico, o indicador "0°" acende-se, a temperatura Fresh 0°C fica próxima de 0°C.

Para sair do modo "0°", com a porta do frigorífico aberta, prima o botão K2 durante 3 segundos e um sinal acústico, o indicador "0°" apaga-se; a temperatura da gaveta "0°" muda com a temperatura do frigorífico.

Ajuste do programa

Depois de o Wi-Fi do frigorífico estar ligado com sucesso, pode ajustar a velocidade através da APP, após o ajuste, os indicadores C do visor serão apagados. A luz da porta pisca uma vez por cada ajuste bem sucedido do programa.

A gama ajustável do frigorífico é de 2°, 3°, 4°, 5°, 6°, 7°, 8°;

A gama ajustável do congelador é de -24°, -23°, -22°, -21°, -20°, -19°, -18°, -17°, -16°.

A função Fresh 0°C pode ser aberta ou fechada.

Função Super Freeze

1. Os alimentos frescos devem ser congelados o mais rapidamente possível até ao núcleo, o que permite preservar o melhor valor nutricional, o aspeto e o sabor. A função Super Freeze acelera o arrefecimento de alimentos frescos e protege os alimentos já armazenados de aquecimento indesejável. Se precisar de congelar uma grande quantidade de alimentos de uma vez, recomenda-se definir a função Super Freeze atempadamente para 24h antes da utilização do congelador.

2. Pode entrar na função Super freeze através da APP no ecrã



AVISO

1. O aparelho sai da função Super Freeze depois de entrar na função Super Freeze" durante 50 horas ou de premir "K2" ou de o desligar a partir da APP.
2. No estado de Super Freeze, não é possível ajustar a temperatura do compartimento de congelação.



Função Super Cool

1. Sugere-se ligar a função Super Cool se se tiver de guardar uma grande quantidade de alimentos (por exemplo após uma ida às compras). A função Super Cool acelera o arrefecimento de alimentos frescos e protege os alimentos armazenados de aquecimento indesejável.
2. Pode entrar na função Super Cool através de APR e, nessa altura, o ícone C do painel de instrumentos apaga-se.



AVISO

1. O aparelho sai da "Função Super Sool" depois de entrar na "Função Super Cool" durante 6 horas ou de premir "K2" ou de o desligar a partir da APP.
2. No estado de Super Cool, não é possível regular a temperatura do compartimento do frigorífico

Função Holiday

A função Holiday pode ser usada para reduzir o consumo de energia do aparelho, quando não é usado regularmente. Quando a função estiver ligada, o frigorífico está desligado, enquanto o congelador continua a funcionar normalmente. A função ajusta a temperatura do frigorífico permanentemente a 17°C.

Pode entrar na função Holiday através do APR e, nessa altura, o ícone C do painel de instrumentos apaga-se.



AVISO

A função pode ser desativada regulando a temperatura do frigorífico ou efetuando qualquer outra regulação, ou desligando-a a partir da aplicação.

Quando o modo Holiday está ativado, a luz de refrigeração está desligada.

Função de interconexão Wi-Fi

No estado de porta aberta do frigorífico, prima longamente a tecla K1 durante 3 segundos, o frigorífico emite um sinal sonoro, o ícone A pisca rapidamente e o Wi-Fi entra no estado de configuração.

Alarme de porta aberta e dicas de problemas

Porta do frigorífico aberta até 3 minutos sem estar fechada, o frigorífico emite um bip-bip-bip-bip, ao mesmo tempo que a luz indicadora da porta fica intermitente; se o tempo de abertura da porta atingir 13 minutos e a porta do frigorífico ainda não foi fechada, o frigorífico já não emite um bip, a luz indicadora da porta fica intermitente.

Se a porta do congelador do frigorífico estiver fechada e o frigorífico continua a emitir um bip-bip-bip ou a luz indicadora da porta continua a piscar, então o frigorífico pode ter avariado, contacte o pessoal de pós-venda o mais rapidamente possível Memória de falha de energia

Quando o frigorífico é desligado, o estado de funcionamento no momento da falha de energia é memorizado e, quando a energia é ligada novamente, o frigorífico continua a funcionar de acordo com o ajuste definido e o estado de funcionamento antes da falha de energia.

Dicas para armazenar alimentos frescos

Guardar no compartimento do frigorífico

Mantenha a temperatura do frigorífico inferior a 5°C.

Os alimentos quentes devem ser arrefecidos até à temperatura ambiente antes de serem armazenados no aparelho.

Os alimentos armazenados no frigorífico devem ser lavados e secos antes de serem armazenados.

Os alimentos a armazenar devem estar devidamente selados para evitar alterações no aroma ou no sabor.

Não guarde quantidades excessivas de alimentos. Deixe espaços entre os alimentos para permitir que o ar frio flua ao seu redor, para um arrefecimento melhor e mais homogéneo.

Os alimentos consumidos diariamente devem ser guardados na frente da prateleira.

Deixe um espaço entre os alimentos e as paredes internas, permitindo que o ar flua. Em caso algum, armazene alimentos encostados à parede traseira: os alimentos podem congelar contra a parede traseira. Evite o contacto direto dos alimentos (especialmente os alimentos oleosos ou ácidos) com o revestimento interno, pois o óleo/ácido pode erodir o revestimento interno. Limpe a sujidade oleosa/ácida sempre que for encontrada.

Os alimentos congelados podem ser delicadamente descongelados no compartimento do frigorífico. Isto economiza energia.

O processo de envelhecimento da fruta e dos legumes, como curgetes, melões, papaia, banana, ananases, etc. pode ser acelerado no frigorífico. Portanto, não é recomendado armazená-los no frigorífico. No entanto, o amadurecimento de frutas muito verdes pode ser promovido durante um determinado período. Cebolas, alho, gengibre e outros legumes radiculares também devem ser armazenados à temperatura ambiente.

Odores desagradáveis dentro do frigorífico são um sinal de que algo foi derramado e é necessário limpar. Ver Cuidados e Limpeza.

Diferentes alimentos devem ser colocados em diferentes áreas, de acordo com as suas propriedades.

Armazenamento no congelador

- Mantenha a temperatura do congelador a -18°C.
- Os alimentos quentes devem ser arrefecidos até à temperatura ambiente antes de serem armazenados no congelador.



- Alimentos cortados em pequenas porções irão congelar mais depressa e serão mais fáceis de descongelar e cozinhar. O peso recomendado para cada porção é inferior a 2,5 kg
- É melhor embalar os alimentos antes de os colocar no congelador. O exterior da embalagem deve estar seco para evitar que os sacos colem. Os materiais de embalagem devem estar isentos de odores, serem herméticos, não serem venenosos nem tóxicos.
- Para evitar a expiração dos períodos de conservação, tome nota da data de congelamento, do prazo e o nome dos alimentos na embalagem, de acordo com os períodos de armazenamento dos diferentes alimentos.



AVISO!

- Ácido, alcalino e sal, etc. podem erodir a superfície interna do congelador.
- Não coloque alimentos com estas substâncias (p.ex. peixe de mar) diretamente na superfície interna. A água salgada no congelador deve ser limpa imediatamente.
- Não exceda o tempo de armazenamento de alimentos recomendado pelos fabricantes. Retire apenas a quantidade necessária de alimentos do congelador.
- Consuma os alimentos descongelados rapidamente. Os alimentos descongelados não podem ser congelados novamente, a menos que sejam primeiro cozinhados.
- Não coloque quantidades excessivas de alimentos frescos no congelador. Consulte a capacidade de congelação do congelador - Ver DADOS TÉCNICOS ou dados na placa do tipo.
- Os alimentos podem ser armazenados no congelador a uma temperatura mínima de -18°C durante 2 a 12 meses, dependendo das suas propriedades (por exemplo, carne: 3-12 meses, legumes: 6-12 meses).
- Quando congelar alimentos frescos, evite pô-los em contato com alimentos já congelados. Risco ou descongelamento!

Ao armazenar alimentos congelados comercialmente, siga estas diretrizes:

- Siga sempre as diretrizes dos fabricantes relativas ao período de tempo que deve armazenar alimentos. Não exceda estas diretrizes!
- Tente manter o tempo entre a compra e o armazenamento o mais curto possível para preservar a qualidade dos alimentos.
- Compre alimentos congelados que tenham sido armazenados a uma temperatura igual ou inferior a -18°C .
- Evite comprar alimentos com gelo ou gelo na embalagem - Isto indica que os produtos podem ter sido parcialmente descongelados e congelados em algum momento-a temperatura afeta a qualidade dos alimentos.

Configuração do modo Wi-Fi

PROCEDIMENTO DE EMPARELHAMENTO NA APLICAÇÃO

Passo 1 • Faça download da aplicação hOn nas lojas



Passo 2 • Crie a sua conta na aplicação hOn ou faça login se já tiver uma conta



Passo 3 • Siga as instruções de emparelhamento na aplicação hOn

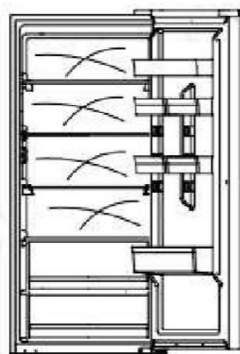


Módulo de rádio - Dados técnicos

Taxa de frequência (OFR)	2400 MHz-2843.5 MHz
Frequências de canal	2412...2472 MHz (tamanho do passo 5 MHz)
Potência máxima (EIRP)	100 mW

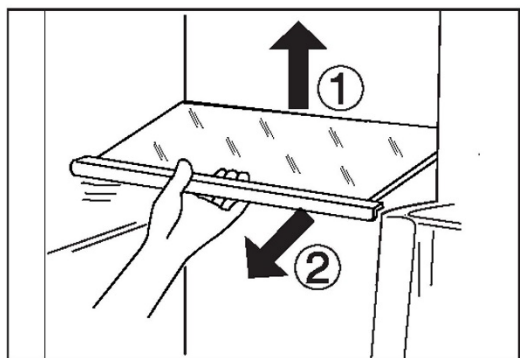
i AVISO

Devido a diferentes modelos, o seu produto pode não ter todas as seguintes características. Consulte o capítulo Descrição do Produto.



Fluxo de ar múltiplo

O frigorífico está equipado com um sistema de fluxo de ar múltiplo que oferece fluxos de ar frio em cada nível de prateleira. Isso ajuda a manter uma temperatura uniforme para garantir que a sua comida é mantida mais fresca durante mais tempo.

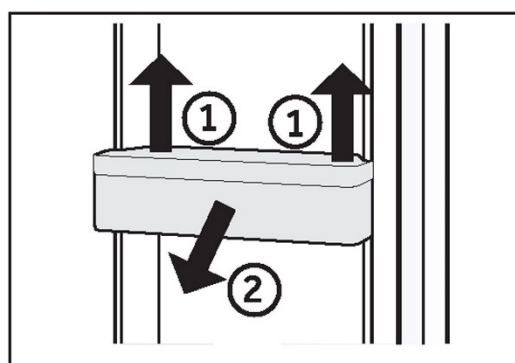


Prateleiras ajustáveis

1. A altura das prateleiras pode ser ajustada para se adaptar às suas necessidades de armazenamento.
2. Para transferir uma prateleira, remova-a primeiro levantando a sua extremidade traseira ① e puxando-a para fora ②.
3. Para a reinstalar, coloque-a sobre as patilhas dos dois lados e empurre-a para a posição mais para trás até que a parte traseira da prateleira fique fixa no interior das ranhuras nos lados

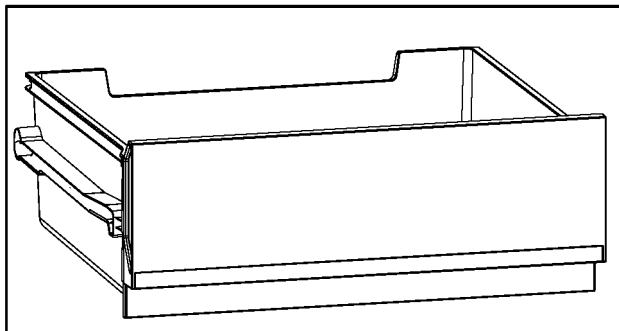
Prateleiras das portas/suporte de garrafas amovíveis

1. As prateleiras da porta podem ser removidas para limpeza:
2. Coloque as mãos de cada lado da prateleira, levante-a para cima ① e puxe-a para fora ②.
3. Para inserir a prateleira da porta, deve executar os passos acima na ordem inversa.



Gaveta de armazenamento do frigorífico

Para utilizar e configurar o compartimento de armazenamento do Frigorífico, consulte por favor a secção UTILIZAÇÃO.



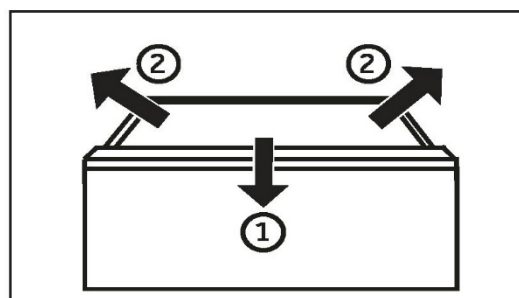
Gaveta do congelador

A gaveta do congelador pode ser estendida a direito e completamente. Estão montadas num carril telescópico que desliza facilmente. Para que possa armazenar e remover os alimentos congelados confortavelmente. Graças ao mecanismo de fecho automático da porta, o manuseamento é fácil e consegue poupar energia.

Gaveta amovível

Para remover a gaveta, puxe até à extensão máxima ①, levante e remova ②.

Para inserir a gaveta, os passos acima são executados em ordem inversa.



AVISO!

Não sobrecarregue as gavetas: Carga máxima de cada gaveta: 35 kg!

A Luz

A luz interior LED acende-se quando a porta é aberta. O desempenho das luzes não é afetado por nenhuma das outras definições de aparelhos.



Dicas de poupança de energia

- ▶ Certifique-se de que o aparelho está devidamente ventilado (ver INSTALAÇÃO).
- ▶ Não instale o aparelho sob luz solar direta ou na proximidade de fontes de calor (por exemplo, fogões, aquecedores).
- ▶ Evite temperaturas desnecessariamente baixas no aparelho. O consumo de energia aumenta quanto menor for a temperatura do aparelho.
- ▶ Deixe os alimentos arrefecer antes de os colocar no aparelho.
- ▶ Abra a porta do aparelho o mínimo e tão brevemente quanto possível.
- ▶ Não encha demasiado o aparelho para evitar obstruir o fluxo de ar.
- ▶ Evite ar dentro das embalagens de alimentos.
- ▶ Mantenha os vedantes da porta limpos para que a porta feche sempre corretamente.
- ▶ A configuração mais economizadora de energia implica que a gaveta, caixa de alimentos e prateleiras estejam posicionadas no aparelho tal como vêm de fábrica, e que os alimentos sejam colocados sem bloquear a saída de ar das condutas.



AVISO!

Desligue o aparelho da fonte de alimentação antes de limpar.

Limpeza

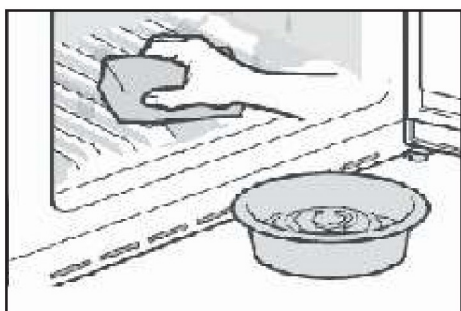
Limpe o aparelho quando apenas tiver armazenado pouca ou nenhuma comida.

O aparelho deve ser limpo a cada quatro semanas para uma boa manutenção e para evitar maus odores de alimentos armazenados.



AVISO!

- ▶ Não limpe o aparelho com escovas duras, escovas de arame, detergente em pó, gasolina, acetato de amilo, acetona e soluções orgânicas semelhantes, soluções ácidas ou alcalinas. Limpe com detergente especial do frigorífico para evitar danos.
- ▶ Não pulverize ou lave o aparelho durante a limpeza.
- ▶ Não use spray de água ou vapor para limpar o aparelho.
- ▶ Não lave prateleiras de vidro frias com água quente. A mudança súbita de temperatura pode fazer com que o vidro se quebre.
- ▶ Não toque na superfície interna do compartimento do congelador, especialmente com as mãos molhadas, pois as mãos podem congelar na superfície.



- ▶ Mantenha a junta de vedação da porta sempre limpa.
- ▶ Limpe o interior e a caixa do aparelho com uma esponja molhada em água morna e detergente neutro.
- ▶ Esfregue o interior e o exterior do frigorífico, incluindo junta do vedante da porta, prateleira da porta, prateleiras de vidro, caixas e assim por diante, com uma toalha macia ou esponja embebida em água morna (pode adicionar-se detergente neutro).
- ▶ Se houver líquido derramado, remova todas as partes contaminadas, lave-as diretamente com água corrente, seque e coloque novamente no frigorífico.
- ▶ Se houver derramamento de produtos cremosos (como natas, gelado derretido), remova todas as peças contaminadas, coloque-as em água morna a cerca de 40 °C durante algum tempo, passe por água corrente, seque e volte a colocar no frigorífico.
- ▶ Caso alguma peça ou componente pequeno entre no interior do frigorífico (entre as prateleiras ou gavetas), use uma pequena escova macia para a liberar. Se não conseguir alcançar a peça, entre em contato com a assistência da Haier
- ▶ Enxague e seque com um pano macio.
- ▶ Não limpe nenhuma das peças do aparelho numa máquina de lavar loiça.
- ▶ Deixe passar pelo menos 7 minutos antes de voltar a ligar o aparelho pois o arranque frequente pode danificar o compressor.

Descongelamento

O descongelamento do frigorífico e do congelador é feito automaticamente; sem necessidade de operação manual.



Substituir as lâmpadas LED



AVISO!

Não substitua a luz LED sozinho, esta apenas deve ser substituída pelo fabricante ou por um agente de serviço autorizado.

A lâmpada é do tipo LED com um baixo consumo de energia e longa vida útil. Se houver alguma anomalia, entre em contacto com a assistência ao cliente. Consulte a ASSISTÊNCIA AO CLIENTE.

Parâmetros das lâmpadas:

Compartimento do frigorífico: 12 V máx. 1.5 W

Não utilizar durante um período prolongado

Se o aparelho não for utilizado durante um longo período de tempo:

Retire os alimentos.

Desligue o cabo de alimentação.

Limpe o aparelho conforme descrito acima.

Mantenha as portas abertas para evitar a criação de maus odores no interior.



AVISO

Desligue o aparelho apenas se estritamente necessário.

Mover o aparelho

1. Remova todos os alimentos e desligue o aparelho.
2. Fixe as prateleiras e outras peças móveis no frigorífico e no congelador com fita adesiva.
3. Não incline o frigorífico mais de 45° para evitar danificar o sistema de refrigeração.



AVISO!

- ▶ Não levante o aparelho pelas suas pegas.
- ▶ Nunca coloque o aparelho na horizontal no chão.

Muitos problemas que ocorrem podem ser resolvidos por si mesmo sem experiência específica. Em caso de problema, por favor verifique todas as possibilidades apresentadas e siga as instruções abaixo antes de contactar um serviço pós-venda. Consulte a ASSISTÊNCIA AO CLIENTE.



AVISO!

- ▶ Antes da manutenção, desative o aparelho e desligue a ficha da tomada.
- ▶ Os equipamentos elétricos devem ser reparados apenas por eletricistas qualificados, uma vez que reparações inadequadas podem causar danos consequenciais consideráveis.
- ▶ Se o cabo de alimentação estiver danificado, este apenas pode ser substituído pelo fabricante, pelo agente de serviço ou por pessoas igualmente qualificadas de forma a evitar o perigo.

Problema	Causa possível	Possível solução
O compressor não funciona.	<ul style="list-style-type: none"> • A ficha de alimentação não está ligada na tomada de alimentação. • O aparelho está no ciclo de descongelação 	<ul style="list-style-type: none"> • Ligue a ficha de alimentação. • Isto é normal para um descongelamento automático
O aparelho funciona frequentemente ou funciona por um período de tempo demasiado longo.	<ul style="list-style-type: none"> • A temperatura interior ou exterior é muito alta. • O aparelho foi desligado da alimentação por um período de tempo. • Uma porta do aparelho não está bem fechada. • A porta foi aberta com muita frequência ou por muito tempo. • A regulação da temperatura para o congelador é muito baixa. 	<ul style="list-style-type: none"> • Neste caso, é normal que o aparelho funcione mais tempo. • Normalmente, demora 8 a 12 horas até o aparelho arrefecer completamente. • Feche a porta/gaveta e certifique-se de que o aparelho está localizado num piso plano e de que não existe qualquer alimento ou recipiente a obstruir a porta. • Não abra a porta/gaveta com muita frequência. • Ajuste uma temperatura mais elevada até obter uma temperatura satisfatória do frigorífico. Demora 24 horas até a temperatura do frigorífico se tornar estável.



Problema	Causa possível	Possível solução
	<ul style="list-style-type: none"> A junta de vedação da porta está suja, gasta, partida ou desalinhada. A circulação de ar necessária não é garantida. 	<ul style="list-style-type: none"> Limpe a junta de vedação da porta/gaveta ou peça à assistência ao cliente que a substitua. Assegure uma ventilação adequada.
O interior do frigorífico está sujo e/ou com cheiros.	<ul style="list-style-type: none"> O interior do frigorífico precisa de ser limpo. Alimentos com forte odor estão armazenados no frigorífico. 	<ul style="list-style-type: none"> Limpe o interior do frigorífico. Embrulhe os alimentos completamente.
Não está frio o suficiente dentro do aparelho.	<ul style="list-style-type: none"> A temperatura definida é demasiado alta. Foram guardados alimentos demasiado quentes. Foram armazenados demasiados alimentos de uma vez. Os produtos estão demasiado próximos uns dos outros. Uma porta/gaveta do aparelho não está bem fechada. A porta/gaveta foi aberta com muita frequência ou durante muito tempo. 	<ul style="list-style-type: none"> Repor a temperatura. Arrefeça os alimentos antes de os guardar. Guarde sempre pequenas quantidades de alimentos. Deixe um intervalo entre os vários alimentos permitindo o fluxo de ar. Feche a porta/gaveta. Não abra a porta/gaveta com muita frequência.
Está demasiado frio no interior do aparelho.	<ul style="list-style-type: none"> A temperatura é demasiado baixa. 	<ul style="list-style-type: none"> Repor a temperatura.
Formação de humidade no interior do compartimento do frigorífico.	<ul style="list-style-type: none"> O clima é demasiado quente e demasiado húmido. Uma porta/gaveta do aparelho não está bem fechada. A porta/gaveta foi aberta com muita frequência ou durante muito tempo. Recipientes para alimentos ou líquidos foram deixados abertos. 	<ul style="list-style-type: none"> Aumente a temperatura. Feche a porta/gaveta. Não abra a porta/gaveta com muita frequência. Deixe os alimentos quentes arrefecerem até à temperatura ambiente e cubra os alimentos e líquidos.

Problema	Causa possível	Possível solução
A humidade acumula-se nos frigoríficos fora da superfície ou entre as portas/porta e gaveta.	<ul style="list-style-type: none"> • O clima é demasiado quente e demasiado húmido. • A porta não está totalmente fechada. O ar frio no aparelho e o ar quente no exterior condensam. 	<ul style="list-style-type: none"> • Isso é normal num clima húmido e mudará quando a humidade diminuir. • Certifique-se de que a porta/gaveta está bem fechada.
Gelo forte e geada no compartimento do congelador.	<ul style="list-style-type: none"> • Os alimentos não foram devidamente embalados. • Uma porta/gaveta do aparelho não está bem fechada. • A porta/gaveta foi aberta com muita frequência ou durante muito tempo. • A junta de vedação da porta/gaveta está suja, gasta, fissurada ou não é adequada. • Algo no interior está a impedir que a porta/gaveta feche corretamente. 	<ul style="list-style-type: none"> • Embale sempre bem os alimentos. • Feche a porta/gaveta. • Não abra a porta/gaveta com muita frequência. • Limpe a junta de vedação da porta/gaveta ou substitua por novas. • Reposicione as prateleiras, prateleiras das portas ou recipientes internos para permitir que a porta/gaveta feche.
Os lados do armário e a tira da porta ficam quentes.	<ul style="list-style-type: none"> • - 	<ul style="list-style-type: none"> • Isto é normal.
O aparelho faz ruídos fora do normal.	<ul style="list-style-type: none"> • O aparelho não está colocado sobre um piso nivelado. • O aparelho toca em algum objeto em seu redor. 	<ul style="list-style-type: none"> • Ajuste os pés para nivelar o aparelho. • Remova objetos em redor do aparelho.
Deve ouvir-se um som leve semelhante ao de água a correr.	<ul style="list-style-type: none"> • - 	<ul style="list-style-type: none"> • Isto é normal.
Irá ouvir um sinal sonoro de alarme.	<ul style="list-style-type: none"> • A porta do frigorífico está aberta. 	<ul style="list-style-type: none"> • Feche a porta.
Irá ouvir um som abafado.	<ul style="list-style-type: none"> • O sistema anti condensação está a funcionar 	<ul style="list-style-type: none"> • Isto impede a condensação e é normal



Problema	Causa possível	Possível solução
O sistema de iluminação interior ou de arrefecimento não funciona.	<ul style="list-style-type: none"> • Está em modo de demonstração 	<ul style="list-style-type: none"> • O frigorífico está ligado à corrente e a porta do frigorífico está aberta. • Prima e mantenha premido o botão K1 e clique no botão K2 cinco vezes e o ícone deixará de acender circularmente.
O sistema de iluminação interior ou de arrefecimento não funciona.	<ul style="list-style-type: none"> • A ficha de alimentação não está ligada na tomada de alimentação. • A fonte de alimentação não está intacta. • A lâmpada LED está avariada. 	<ul style="list-style-type: none"> • Ligue a ficha de alimentação. • Verifique a alimentação elétrica da divisão. Ligue para a companhia de eletricidade local! • Por favor, ligue para a assistência para substituir a lâmpada.

Para contactar a assistência técnica, consulte o nosso website:

<https://corporate.haier-europe.com/en/>

Na seção "website", escolha a marca do seu produto e o seu país. Será redirecionado para o website específico onde pode encontrar o número de telefone e o formulário para contactar a assistência técnica.

Falha de energia

Em caso de falha de energia, os alimentos permanecem arrefecidos de forma segura durante cerca de 5 horas. Siga estas dicas durante uma falha de energia prolongada, especialmente no verão:

- ▶ Abra a porta/gaveta o mínimo de vezes possível.
- ▶ Não coloque mais alimentos no aparelho durante uma falha de energia.
- ▶ Se for dada uma notificação prévia de interrupção da energia e a duração da interrupção for superior a 5 horas, faça algum gelo e coloque-o num recipiente na parte superior do compartimento do frigorífico
- ▶ É necessária uma inspeção dos alimentos imediatamente após a interrupção.
- ▶ Como a temperatura no frigorífico irá subir durante uma interrupção da energia ou outra falha, o período de armazenamento e a qualidade dos alimentos serão reduzidos. Qualquer alimento que descongele deve ser consumido, cozido e novamente congelado (se for caso disso) imediatamente, a fim de evitar riscos para a saúde.

Função de memória durante a falha de energia

Depois de restabelecida a energia elétrica, o aparelho continua com as configurações definidas antes da falha de energia.

Desembalar



AVISO!

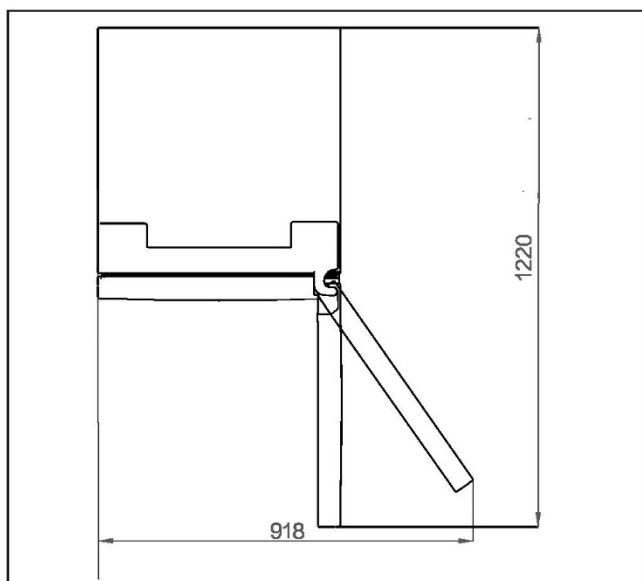
- ▶ O aparelho é pesado. Deve ser manuseado sempre por, pelo menos, duas pessoas.
- ▶ Mantenha todos os materiais de embalagem fora do alcance das crianças e elimine-os de forma ecológica.
- ▶ Retire o aparelho da embalagem.
- ▶ Remova todos os materiais de embalagem.

Condições ambientais

A temperatura ambiente deve situar-se sempre entre 10°C e 43°C, para este frigorífico, por exemplo, CNCQ2T620EX, CNCQ2T620EW, CNCQ2T618EX, CNCQ4T618EW, CNCQ4T618EB; ou a temperatura ambiente deve situar-se sempre entre 10°C e 38°C, para este frigorífico, por exemplo, CNCQ4T620DX, CNCQ4T620DW, uma vez que pode influenciar a temperatura no interior do aparelho e o seu consumo de energia. Não instale o aparelho perto de outros aparelhos emissores de calor (fornos, frigoríficos) sem isolamento.

Requisitos de espaço

Espaço recomendado pela porta



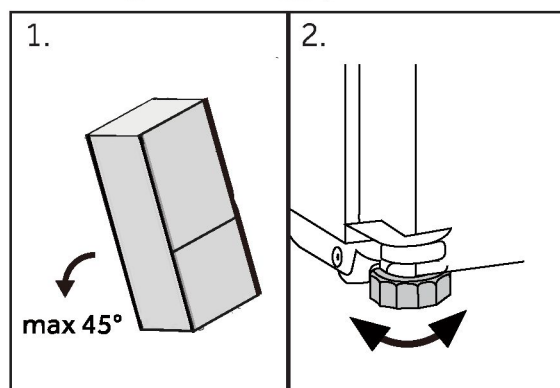
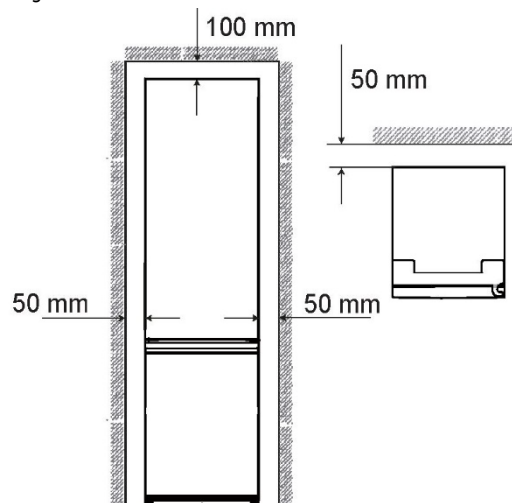
Alinhar o aparelho

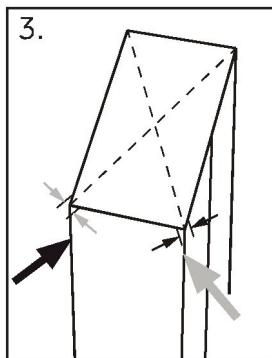
O aparelho deve ser colocado sobre uma superfície plana e sólida.

1. Incline o frigorífico ligeiramente para trás.
2. Coloque os pés na altura desejada. Certifique-se de que a distância à parede do lado da dobradiça é de, pelo menos, 100 mm para que a porta se abra corretamente.

Ventilação transversal

Para obter uma ventilação suficiente do aparelho por motivos de segurança, deve observar-se a informação das secções de ventilação transversal necessárias

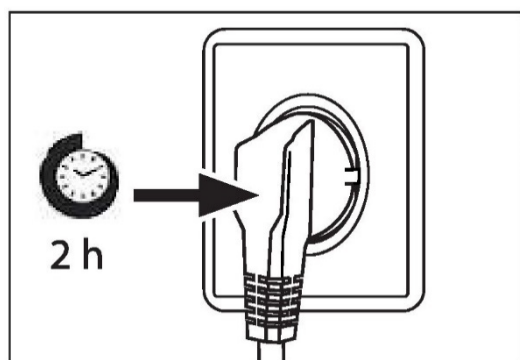




1. A estabilidade pode ser verificada empurrando alternadamente as diagonais. Uma ligeira oscilação deve ser a mesma em ambas as direções. Caso contrário, a estrutura pode empenar: a consequência pode ser fugas dos vedantes da porta. Uma leve inclinação para a traseira facilita o fecho das portas.

AVISO

Para um aparelho independente: este frigorífico não se destina a ser utilizado como eletrodoméstico de encastrar



Tempo de espera

O óleo de lubrificação sem manutenção está localizado na cápsula do compressor. Este óleo pode atravessar o sistema de tubagem fechada durante o transporte inclinado. Antes de ligar o aparelho à rede elétrica, tem de esperar pelo menos 2 horas para que o óleo volte à cápsula.

Ligação elétrica

Antes de cada conexão verificar se:

- ▶ a rede elétrica, tomada e fusíveis são adequados à placa de classificação.
- ▶ a tomada de alimentação está ligada à terra sem fichas múltiplas nem extensão.
- ▶ a ficha de alimentação e a tomada estão de acordo com as especificações.

Ligue a ficha a uma tomada doméstica instalada corretamente.

AVISO!

Para evitar riscos, um cabo de alimentação danificado deve ser substituído pela assistência ao cliente (ver cartão de garantia).

Reversibilidade da porta

Antes de ligar o aparelho à rede elétrica, deve verificar se a rotação da porta deve ser mudada da direita (como fornecida) para a esquerda, se tal for exigido pelo local de instalação e pela usabilidade.



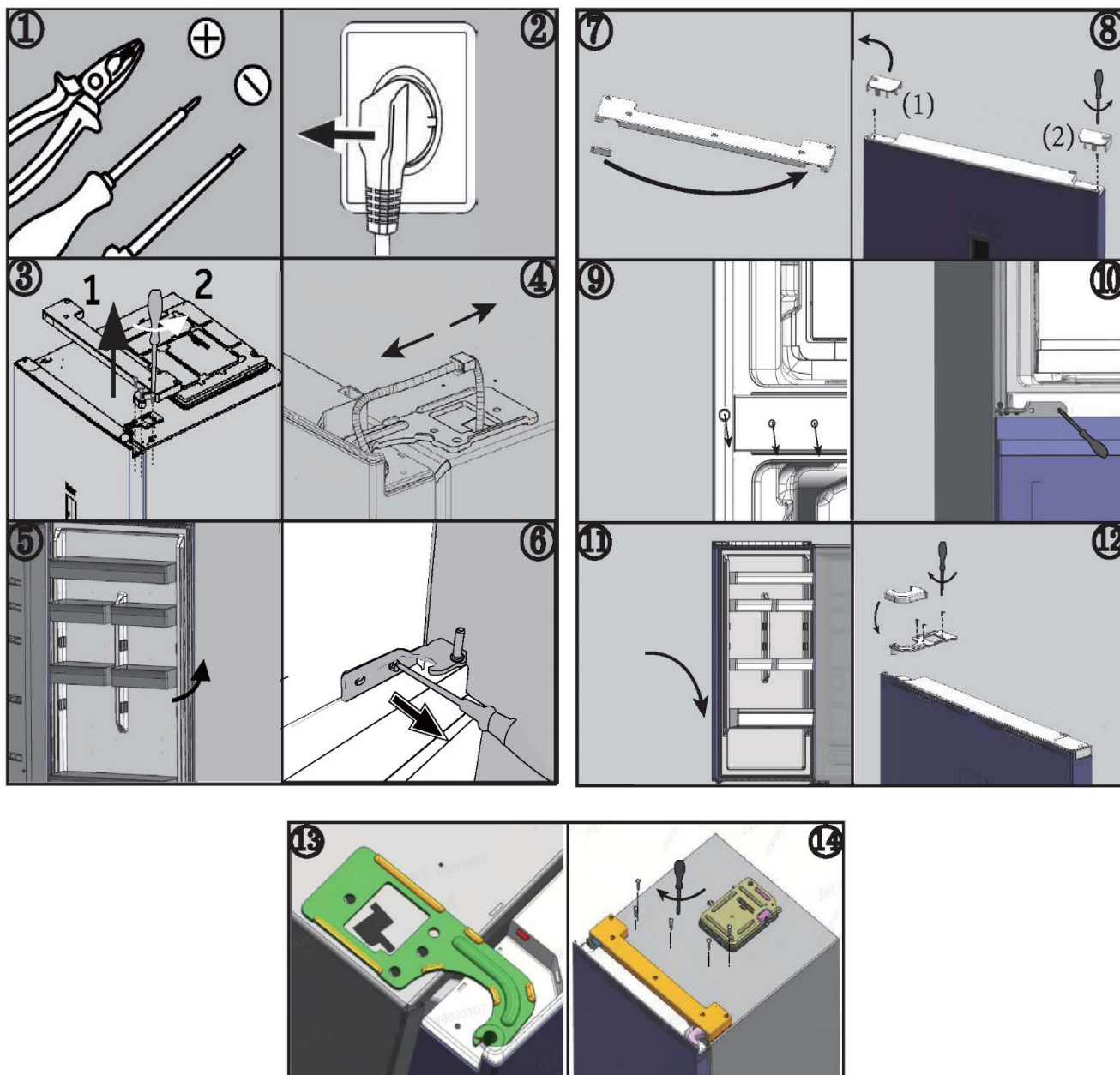
AVISO!

- ▶ O aparelho é pesado. Precisa de duas pessoas para reverter o sentido de abertura da porta.
- ▶ Antes de qualquer operação, desligue primeiro o aparelho da rede elétrica
- ▶ Não incline o aparelho mais de 45 ° para evitar danos ao sistema de refrigeração.

Passos de montagem

1. Arranje a ferramenta necessária.
2. Desligue o aparelho.
3. Remova a tampa da dobradiça superior 1 e desenrosque a dobradiça superior (três parafusos) no lado direito 2.
4. Levante a porta do frigorífico cuidadosamente para fora da dobradiça intermédia.
5. Remova a dobradiça do meio.
6. Retire a pequena tampa do painel frontal do lado esquerdo para o lado direito.
7. Vire a porta de cabeça para baixo e desaperte a tampa (1). Retire a nova tampa (2) do saco necessário e aparafuse-a no lado oposto.
8. Altere as posições das buchas de espaçamento e o parafuso no lado.
9. Aparafuse a dobradiça média no lado esquerdo do aparelho. Tenha em atenção a inversão do pivot da dobradiça central, assegurando que o lado com a junta está virado para cima
10. Levante cuidadosamente a porta superior na dobradiça média. E certifique-se de que o pivô encaixa no cilindro da dobradiça da porta inferior.
11. Tire a nova dobradiça superior e a tampa da dobradiça do saco de acessórios. Fixar a dobradiça superior com três parafusos no lado esquerdo do aparelho. E coloque a tampa da dobradiça sobre a dobradiça.
12. Substitua o painel frontal e fixe-o com cinco parafusos.

Após a mudança da porta, verifique se os vedantes da porta estão corretamente colocados na estrutura e todos os parafusos são bem apertados.



Temperaturas ambiente

Temperado alargado: 'este aparelho de refrigeração destina-se a ser utilizado a uma temperatura ambiente entre 10 °C e 32 °C

Temperado: este aparelho de refrigeração destina-se a ser utilizado a uma temperatura ambiente entre 16 °C e 32 °C;

Subtropical: este aparelho de refrigeração destina-se a ser utilizado a uma temperatura ambiente entre 16 °C e 38 °C;

Tropical: este aparelho de refrigeração destina-se a ser utilizado a uma temperatura ambiente entre 16 °C e 43 °C.

Parâmetros do produto de acordo com o regulamento (UE) 2019/2016

Baseado nos resultados do teste padrão durante 24 horas. O consumo de energia real irá depender da forma como o aparelho é usado e onde está localizado

Modelo	CNCQ4T620EW CNCQ4T620EX CNCQ4T620EB	CNCQ4T620DX CNCQ4T620DW	CNCQ4T620CX
Tipo de aparelho de refrigeração	Frigorífico-congelador	Frigorífico-congelador	Frigorífico-congelador
Classe de eficiência energética	E	D	C
Consumo anual de energia (kWh/ano)	279	223	178
Volume do compartimento do frigorífico (L)	289	289	289
Volume do compartimento do congelador (L)	120	120	120
Classe de congelação	4 estrelas	4 estrelas	4 estrelas
Tipo de descongelação	Descongelação automática	Descongelação automática	Descongelação automática
Tempo de subida da temperatura (h)	11	11	13
Capacidade de congelação (kg/24h)	10	10	10
Classe climática	SN.N.ST	SN.N.ST.T	SN.N.ST.T



Modelo	CNCQ4T618DX	CNCQ4T618EW CNCQ4T618EX CNCQ4T618EB
Tipo de aparelho de refrigeração	Frigorífico-congelador	Frigorífico-congelador
Classe de eficiência energética	D	E
Consumo anual de energia (kWh/ano)	216	270
Volume do compartimento do frigorífico (L)	235	235
Volume do compartimento do congelador (L)	120	120
Classe de congelação	4 estrelas	4 estrelas
Tipo de descongelação	Descongelação automática	Descongelação automática
Tempo de subida da temperatura (h)	11	11
Capacidade de congelação (kg/24h)	10	10
Classe climática	SN.N.STT	SN.N.ST

Explicações:

- Sim, existe

(1) Com base nos resultados do teste de conformidade das normas ao longo de 24 horas. O consumo real depende da utilização e da localização do aparelho.

(2) Classificação climática SN: Este aparelho destina-se a ser utilizado a uma temperatura ambiente compreendida entre + 10°C e +32°C

Classificação climática N: Este aparelho destina-se a ser utilizado a uma temperatura ambiente compreendida entre + 16°C e +32°C

Classificação climática ST: Este aparelho destina-se a ser utilizado a uma temperatura ambiente compreendida entre + 16°C e +38°C

Classificação climática T: Este aparelho destina-se a ser utilizado a uma temperatura ambiente compreendida entre + 16°C e +43°C

Dados técnicos adicionais

Modelo	CNCQ4T620EW CNCQ4T620EX CNCQ4T620EB	CNCQ4T620DX CNCQ4T620DW	CNCQ4T618EW CNCQ4T618EX CNCQ4T618EB
Volume total(L)	409	409	355
Tensão/Frequência	220~240V/50Hz	220~240V/50Hz	220~240V/50Hz
Corrente nominal (A)	0,9	1.4	0,9
Fusível principal (A)	15	15	15
Fluido refrigerante	R600a(53g)	R600a(53g)	R600a(53g)
Dimensões (L/P/A em mm)	595*667*2050	595*667*2050	595*667*1850

Modelo	CNCQ4T620CX	CNCQ4T618DX
Volume total(L)	409	355
Tensão/Frequência	220~240V/50Hz	220~240V/50Hz
Corrente nominal (A)	1.4	1.4
Fusível principal (A)	15	15
Fluido refrigerante	R600a(50g)	R600a(53g)
Dimensões (L/P/A em mm)	595*667*2050	595*667*1850



Recomendamos o nosso Serviço de Assistência ao Cliente da Haier e a utilização de peça sobressalentes originais.

Se tiver algum problema com o seu aparelho, consulte primeiro a secção RESOLUÇÃO DE PROBLEMAS.

Se não conseguir encontrar uma solução nesta secção, entre em contacto

- ▶ com o seu revendedor local ou
- ▶ o nosso Serviço de Assistência Europeu (veja números de telefone listados abaixo) ou
- ▶ a área de Serviço e Suporte em www.haier.com onde pode ativar a reclamação de serviço
- ▶ e também encontrar FAQs.

Para contactar a nossa Assistência, certifique-se de que tem os seguintes dados disponíveis.

As informações encontram-se na placa de classificação.

Modelo _____

N.º de série _____

Verifique também o cartão de garantia fornecido com o produto em caso de garantia.

Centro de Assistência Europeu		
País*	Número de telefone	Custos
Haier Italy (IT)	199 100 912	
Haier Spain (ES)	902 509 123	
Haier Germany (DE)	0180 5 39 39 99	<ul style="list-style-type: none"> • 14 CT/Min telefone fixo • Max 42 Ct/Min móvel
Haier Austria (AT)	0820 001205	<ul style="list-style-type: none"> • 14,53 CT/Min telefone fixo • máx. 20 Ct/Min todos os outros
Haier United Kingdom (UK)	0333 003 8122	
Haier France (FR)	0980 406 409	



*Para outros países, consulte www.haier.com

Haier Europe Trading S.r.l

Branch UK

Westgate House, Westgate, Ealing

London, W5 1YY

*Duração da garantia do aparelho de refrigeração:

A garantia mínima é: 2 anos para os países da UE, 3 anos para a Turquia, 1 ano para o Reino Unido, 1 ano para a Rússia, 3 anos para a Suécia, 2 anos para a Sérvia, 5 anos para a Noruega, 1 ano para Marrocos, 6 meses para a Argélia, Tunísia nenhuma garantia legal necessária.

*O período de peças sobressalentes para a reparação do aparelho:

Termostatos, sensores de temperatura, placas de circuitos impressos e fontes de luz estão disponíveis durante um período mínimo de sete anos após a colocação da última unidade do modelo no mercado.

Puxadores da porta, dobradiças da porta, bandejas e cestos durante um período mínimo de sete anos e juntas da porta durante um período mínimo de 10 anos, depois de colocada a última unidade do modelo no mercado.

*Para mais informações sobre o produto, consulte <https://eprel.ec.europa.eu/> ou digitalize o código QR na etiqueta energética fornecida com o aparelho.

<u>5 Varnostne informacije</u>	<u>Pred prvo uporabo</u>	6
	<u>Namestitev</u>	6
	<u>Vsakodnevna uporaba</u>	7
<u>10 Predvidena uporaba</u>		
<u>11 Opis izdelka</u>		
<u>13 Nadzorna plošča</u>		
<u>14 Uporaba</u>	<u>Prilagoditev temperature hladilnika</u>	15
	<u>Prilagoditev temperature zamrzovalnika</u>	15
	<u>Funkcija Super Freeze</u>	15
	<u>Funkcija Super Cool</u>	16
	<u>Funkcija Fresh 0°C</u>	15
<u>20 Oprema</u>		
<u>22 Nasveti za varčevanje z energijo</u>		
<u>23 Nega in čiščenje</u>		
<u>25 Odpravljanje težav</u>		
<u>29 Namestitev</u>		
<u>33 Tehnični podatki</u>		
<u>36 Služba za pomoč strankam</u>		



**Kliknite na vsebino, da si ogledate
podrobne informacije.**

Hvala za nakup izdelka Candy.

Pred uporabo aparata skrbno preberite ta navodila. Navodila vsebujejo pomembne informacije, ki vam bodo pomagale čim boljše izkoristiti aparat ter zagotoviti varno in pravilno namestitvev, uporabo in vzdrževanje.

Ta priročnik hranite na priročnem mestu, da je vedno na doseg roke za varno in pravilno uporabo aparata.

Če aparat prodate, ga podarite ali pustite za sabo, ko se selite, poskrbite, da boste ta priročnik predali novemu lastniku, da se bo lahko seznanil z aparatom in varnostnimi opozorili.

Dodatki

Preverite dodatke in literaturo v skladu s tem seznamom:



Vložek
pokrovčka



Energijska
nalepka



Garancijska
kartica



Kratka
navodila



Tečaji vrat



Pokrov tečaja



OPOZORILO – Pomembne varnostne informacije



OBVESTILO – Splošne informacije in nasveti



Okoljske informacije



Odstranjevanje

Pomagajte varovati okolje in zdravje ljudi. Embalažo odložite v ustrezne zbiralnike za recikliranje. Pomagajte pri recikliranju električnih in elektronskih odpadnih naprav. Aparatov, označenih s tem simbolom, ne odlagajte med gospodinjske odpadke. Vrnite izdelek vašemu lokalnemu obratu za recikliranje ali se obrnite na občinski urad.



OPOZORILO!

Nevarnost telesnih poškodb ali zadužitve!

Hladilna sredstva in pline je treba odstraniti profesionalno. Prepričajte se, da cevi hladilnega tokokroga niso poškodovane, preden jih ustrezno zavržete. Aparat pred čiščenjem odklopite z napajanja. Odsluženemu aparatu odrežite električni kabel in ga zavržite. Odstranite pladnje in predale ter zatič in tesnila vrat, da preprečite zapiranje otrok in hišnih ljubljencev v aparat.

Pred prvim vklopom aparata preberite naslednje varnostne nasvete!:



OPOZORILO!

Pred prvo uporabo

- ▶ Prepričajte se, da med prevozom ni prišlo do poškodb.
- ▶ Odstranite vso embalažo in shranjujte izven dosega otrok.
- ▶ Pred namestitvijo aparata počakajte vsaj dve uri, da zagotovite polno učinkovitost hladilnega krogotoka.
- ▶ Aparat naj prenašata vsaj dve osebi, ker je težek.

Namestitev

- ▶ Aparat naj bo postavljen v dobro prezračen prostor. Poskrbite, da bo nad aparatom in okoli njega vsaj 10 cm prostora.
- ▶ Aparata nikoli ne postavljajte na vlažno mesto ali mesto, kjer bi lahko po njem brizgala voda. Očistite in pobrišite vodne kapljice in madeže z mehko čisto krpo.
- ▶ Aparata ne postavljajte neposredno na sonce ali blizu virov toplote (npr. štedilnikov, grelcev).
- ▶ Aparat namestite na mestu, ki je primerno njegovi velikosti in namenu.
- ▶ Poskrbite, da bodo prezračevalne odprtine aparata ali vgradnih elementov proste in neovirane.
- ▶ Prepričajte se, da se podatki o električnem toku na ploščici s tehničnimi navedbami ujemajo z napajanjem. V nasprotnem primeru se obrnite na električarja.
- ▶ Aparat deluje z izmeničnim napajanjem 220–240 VAC/50 Hz. Nenormalno nihanje napetosti lahko povzroči, da se aparat ne zažene, poškoduje regulator temperature ali kompresor ali pa se med delovanjem pojavi nenavaden hrup. V tem primeru se namesti samodejni regulator.
- ▶ Ne uporabljajte adapterjev z več vtiči in podaljškov.
- ▶ Prenosnih vtičnic ali prenosnega električnega napajanja ne postavljajte za aparat.
- ▶ Prepričajte se, da se napajalni kabel ni zataknil pod hladilnikom. Ne stopajte na napajalni kabel.



OPOZORILO!

- ▶ Uporabite ločeno ozemljeno vtičnico za napajanje, ki je lahko dostopna. Aparat mora biti ustrezno ozemljen.
Samo za Združeno kraljestvo: Napajalni kabel aparata je opremljen s 3-žilnim (ozemljitvenim) vtičem, ki ustreza standardni 3-žilni (ozemljeni) vtičnici. Nikoli ne odrežite in ne odstranjujte tretjega zatiča (ozemljitev). Po namestitvi aparata mora biti vtič dostopen.
- ▶ Ne poškodujte hladilne napeljave.

Vsakodnevna uporaba

- ▶ Ta aparat lahko uporabljajo otroci, starejši od 8 let, ter osebe z zmanjšanimi fizičnimi, senzoričnimi ali umskimi zmožnostmi ali s pomanjkanjem izkušenj in znanja, pod ustreznim nadzorom, ali če imajo navodila za varno uporabo aparata ter če razumejo s tem povezana tveganja.
- ▶ Otrokom, starim od 3 do 8 let, je dovoljeno polnjenje in praznjenje, vendar jim ni dovoljeno čiščenje in nameščanje hladilnih aparatov.
- ▶ Otroci, mlajši od 3 let, naj se zadržujejo stran od aparata, razen če so pod stalnim nadzorom.
- ▶ Otroci naj se z aparatom ne igrajo.
- ▶ Če v bližini aparata pušča hladilni plin ali drug vnetljiv plin, izklopite ventil uhajajočega plina, odprite vrata in okna ter ne odklopite napajalnega kabla hladilnika ali drugega aparata.
- ▶ Upoštevajte, da je aparat, na primer CNCQ4T620EX, CNCQ4T620EW, CNCQ4T618EX, CNCQ4T618EW, CNCQ4T618EB, nastavljen za delovanje v določenem razponu temperature okolja med 10 °C in 38 °C. Aparat morda ne bo deloval pravilno, če je dlje časa izpostavljen temperaturi, ki je višja ali nižja od navedene.
- ▶ Upoštevajte, da je aparat, na primer CNCQ4T620DX, CNCQ4T620DW, CNCQ4T620CX, nastavljen za delovanje v določenem razponu temperature okolja med 10 °C in 43 °C. Aparat morda ne bo deloval pravilno, če je dlje časa izpostavljen temperaturi, ki je višja ali nižja od navedene.
- ▶ Na hladilnik ne postavljajte nestabilnih predmetov (težkih predmetov, posod, napolnjenih z vodo), da se izognete poškodbam zaradi padca ali električnega udara zaradi stika z vodo.
- ▶ Ne vlecite vratnih polic. Vrata se lahko potegnejo poševno, stojalo za steklenice se lahko izvleče ali pa se aparat prevrne.



OPOZORILO!

- ▶ Ne shranjujte ali uporabljajte vnetljivih, eksplozivnih ali jedkih snovi v aparatu ali njegovi bližini.
- ▶ V aparatu ne shranjujte zdravil, bakterij ali kemičnih snovi. Ta aparat je gospodinjski aparat, zato ni priporočljivo hraniti materialov, ki zahtevajo strogo določene temperature.
- ▶ V zamrzovalniku nikoli ne shranjujte tekočin v steklenicah ali pločevinkah (razen močnih žganih pijač), zlasti gaziranih pijač, saj jih bo med zamrzovanjem razneslo.
- ▶ Preverite stanje hrane, če je prišlo do segrevanja v zamrzovalniku.
- ▶ Ne nastavite nepotrebno nizke temperature v predelu hladilnika. Pri visokih nastavitvah lahko pride do temperatur pod ničlo. Pozor: Steklenice lahko počijo
- ▶ Zamrznjenih živil se ne dotikajte z mokrimi rokami (uporabite rokavice). Še posebej ne jejte ledenk takoj, ko jih vzamete iz zamrzovalnika. Obstaja tveganje za zamrznitev ali nastanek mehurjev zaradi zmrzali. PRVA pomoč: takoj postavite pod tekočo mrzlo vodo. Ne vlecite proč!
- ▶ Med delovanjem se ne dotikajte notranjosti zamrzovalnega dela, zlasti z mokrimi rokami, saj lahko vaše roke primrznejo na površino.
- ▶ V primeru prekinitve napajanja ali pred čiščenjem aparat izklopite. Pred ponovnim zagonom aparata počakajte vsaj 7 minut, saj lahko pogosto zaganjanje poškoduje kompresor.
- ▶ Ne uporabljajte električnih naprav v predalih za shranjevanje živil v aparatu, razen če njihovo uporabo priporoča proizvajalec.
Vzdrževanje/čiščenje
- ▶ Poskrbite, da bodo otroci pod nadzorom, če bodo opravljali čiščenje in vzdrževanje.
- ▶ Pred vsakim rednim vzdrževanjem aparat odklopite iz električnega napajanja. Pred ponovnim zagonom aparata počakajte vsaj 5 minut, saj lahko pogosto zaganjanje poškoduje kompresor.
- ▶ Ko nameščate aparat, poskrbite, da električni kabel ne bo zataknjen ali poškodovan.
- ▶ Prenosnih vtičnic ali prenosnega električnega napajanja ne postavljajte za aparat.
- ▶ Ne uporabljajte električnih naprav v prostorih za shranjevanje živil v aparatu, razen če njihovo uporabo priporoča proizvajalec.
- ▶ V aparatu ne shranjujte eksplozivnih substanc, kot so na primer razpršilci pod tlakom z vnetljivim potisnim plinom.

**OPOZORILO!**

- ▶ Pri izklopu aparata primite vtič kabla, ne vlecite kabla.
- ▶ Aparata ne čistite s trdimi ščetkami, žičnimi krtačami, detergentom v prahu, bencinom, amil acetatom, acetonom in podobnimi organskimi raztopinami, kislimi ali alkalnimi raztopinami. Čistite ga s posebnim detergentom za hladilnik, da se izognete poškodbam.
- ▶ Zmrzali in ledu ne strgajte z ostrimi predmeti. Ne uporabljajte razpršil in električnih grelnikov, kot so grelnik, sušilec za lase, parni čistilniki ali drugi viri toplote, da se izognete poškodbam plastičnih delov.
- ▶ Ne uporabljajte mehanskih sredstev za pospešitev odmrzovanja oziroma sredstev, ki jih ne priporoča proizvajalec.
- ▶ Če je priključni kabel poškodovan, morate preprečiti morebitna tveganja, zato ga sme nadomestiti samo proizvajalec, njegov servisni agent ali drug kvalificiran serviser.
- ▶ Aparata ne poskušajte popravljati, razstavljati ali spreminjati sami. V primeru popravila se obrnite na našo službo za stranke.
- ▶ Vsaj enkrat letno odstranite prah na hrbtni strani enote, da se izognete nevarnosti požara in povečani porabi energije.
- ▶ Med čiščenjem aparata ne škropite ali spirajte.
- ▶ Aparata ne čistite s pršenjem vode ali paro.
- ▶ Hladnih steklenih polic ne čistite z vročo vodo. Zaradi nenadne spremembe temperature se lahko steklo zlomi.

Informacije o hladilnih plinih**OPOZORILO!**

Aparat vsebuje vnetljivo hladilno sredstvo IZOBUTAN (R600a). Prepričajte se, da hladilni tokokrog med transportom ali namestitvijo ni poškodovan. Puščanje hladilnega sredstva lahko povzroči poškodbe oči ali pa se sredstvo vname. Če je prišlo do poškodbe, aparatu ne približujte odprtih virov ognja, temeljito prezračite prostor, ne priključujte ali odklapljajte napajalnih kablov aparata ali katere koli druge naprave. Obvestite službo za pomoč strankam.

Če oči pridejo v stik s hladilnim sredstvom, jih takoj sperite pod tekočo vodo in pokličite očesnega specialista.



Ta aparat je namenjen hlajenju in zamrzovanju hrane. Zasnovan je bil izključno za uporabo v gospodinjstvih in prostorih, kot so kuhinjski prostori za osebje v trgovinah, pisarne in druga delovna okolja; na kmetijah in za uporabo strank v hotelih, motelih in drugih bivalnih objektih ter v prenočitvenih in gostinskih dejavnostih. Ni primeren za komercialno ali industrijsko uporabo.

Spreminjanje aparata je prepovedano. Nenamenska uporaba lahko povzroči nevarnosti in izgubo garancijskih zahtevkov.

Standardi in direktive

Ta izdelek izpolnjuje zahteve vseh veljavnih direktiv ES in ustreznih harmoniziranih standardov, ki določajo oznako CE.

POSTOPEK SEZNANITVE V APLIKACIJI

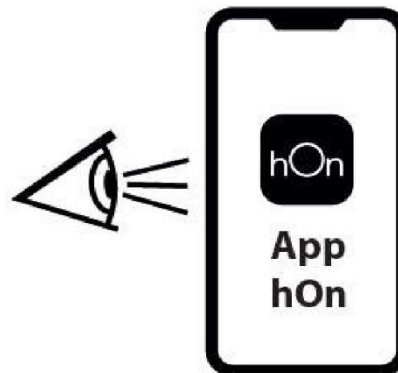
1. korak – Prenesite aplikacijo hOn iz ene od trgovin



2. korak – Ustvarite svoj račun v aplikaciji hOn ali pa se prijavite, če račun že imate.



3. korak – Sledite navodilom za seznanjanje v aplikaciji hOn



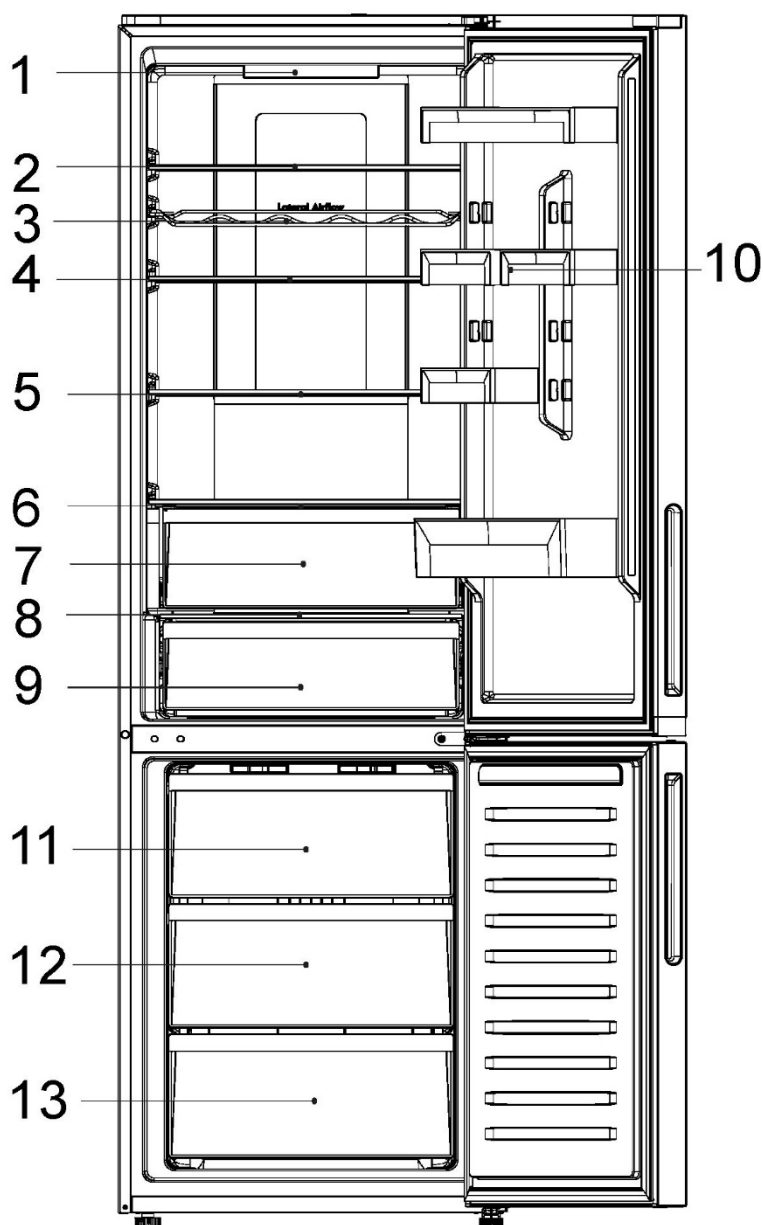
Radijski modul – tehnični podatki

Frekvenca (OFR)	2400 MHz–2843,5 MHz
Frekvence kanalov	2412...2472 MHz (velikost koraka 5 MHz)
Največja moč (EIRP)	100 mW



OBVESTILO

Zaradi tehničnih sprememb in različnih modelov se lahko nekatere ilustracije v tem priročniku razlikujejo od vašega modela.



CNCQ4T620EX
 CNCQ4T620EB
 CNCQ4T620DX
 CNCQ4T620EW
 CNCQ4T620DW
 CNCQ4T620CX

A: Predel hladilnika

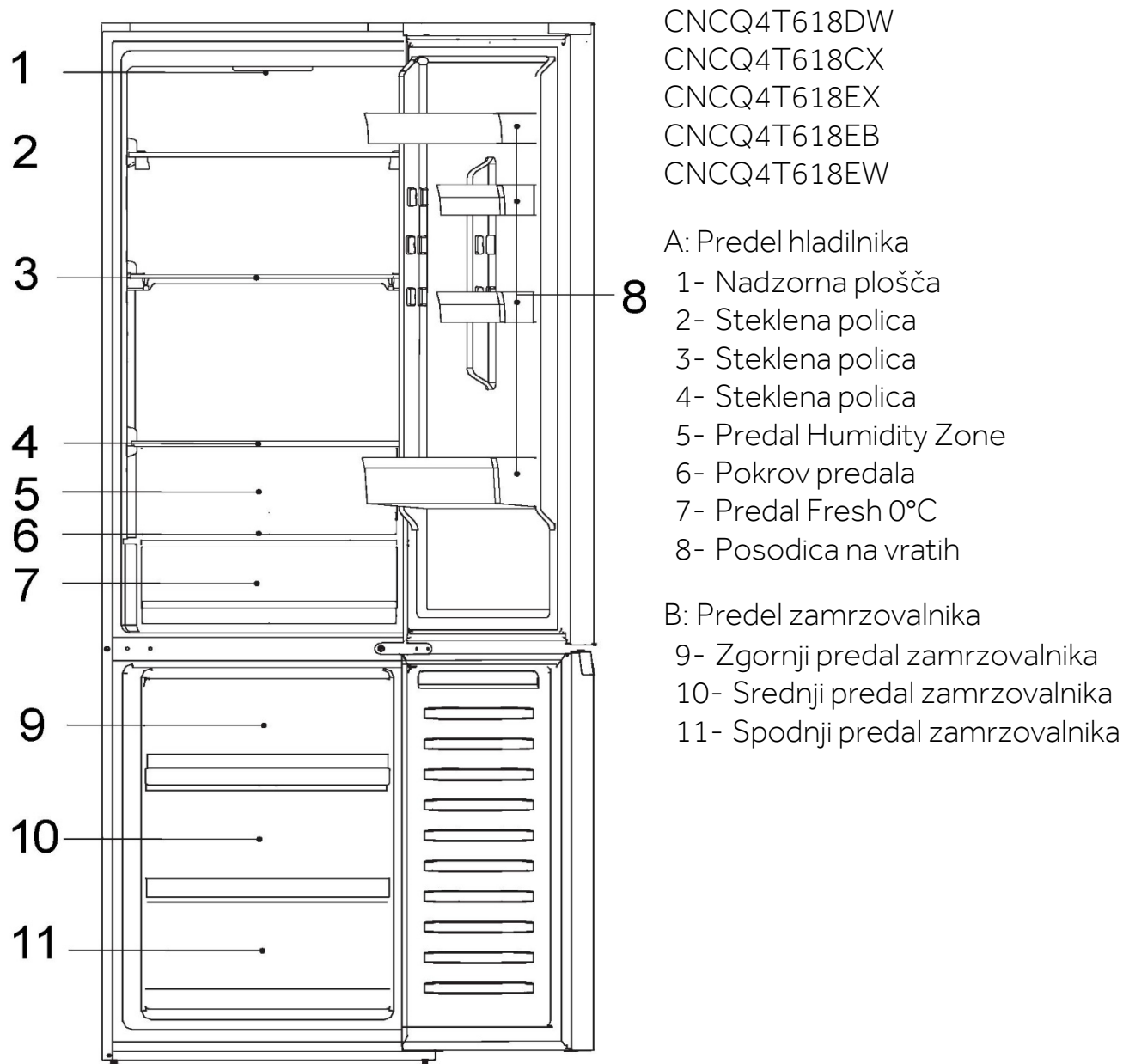
- 1- Nadzorni kanal
- 2- Steklena polica
- 3- Stojalo za vino
- 4- Steklena polica
- 5- Steklena polica
- 6- Pokrov predala
- 7- Predal za območje vlažnosti
- 8- Pokrov predala
- 9- Predal Fresh 0°C
- 10- Posodica na vratih

B: Predel zamrzovalnika

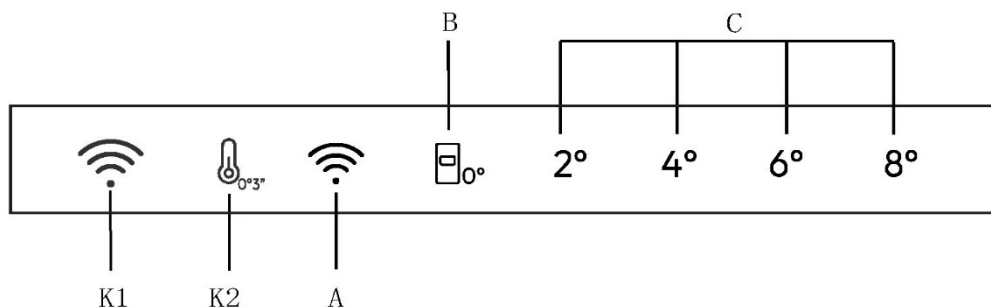
- 11- Zgornji predal zamrzovalnika
- 12- Srednji predal zamrzovalnika
- 13- Spodnji predal zamrzovalnika

i OBVESTILO

Zaradi tehničnih sprememb in različnih modelov se lahko nekatere ilustracije v tem priročniku razlikujejo od vašega modela.



Nadzorna plošča



Gumbi

- K1 Vklop/izklop funkcije Wi-Fi.
- K2 Tipka za vklop/izklop izbire temperature, ki se uporablja za vklop/izklop indikatorjev funkcije Fresh 0°C
- A Prikaz Wi-Fi.

Indikatorji

- B Funkcija Fresh 0°C
- C Prikaz temperature hladilnika

Pred prvo uporabo


- ▶ Odstranite vso embalažo in jo hranite izven dosega otrok ter jo zavržite na okolju prijazen način.
- ▶ Očistite notranjost in zunanost aparata kakor tudi notranjost in dodatke z vodo ter blagim detergentom ter jih posušite z mehko krpo.
- ▶ Ko je aparat poravnan in očiščen, počakajte vsaj 2 uri, preden ga priključite na napajanje. Glejte poglavje NAMESTITEV.
- ▶ Preden aparat napolnite s hrano, predhodno ohladite predele pri visokih nastavitvah.

Mehanski gumbi

Gumbi na nadzorni plošči so mehanski.

Vklop/izklop aparata

Aparat začne delovati takoj, ko ga priključite na napajanje.

Ob prvem vklopu hladilnika zasvetita indikator »4°« v območju »B« (prikaz temperature hladilnika) in indikator » 0° « predala za shranjevanje pri 0 °C.

Temperatura hladilnika in zamrzovalnika se samodejno nastavi na 4 °C oziroma –20 °C, predal za shranjevanje pri 0 °C pa začne delovati.



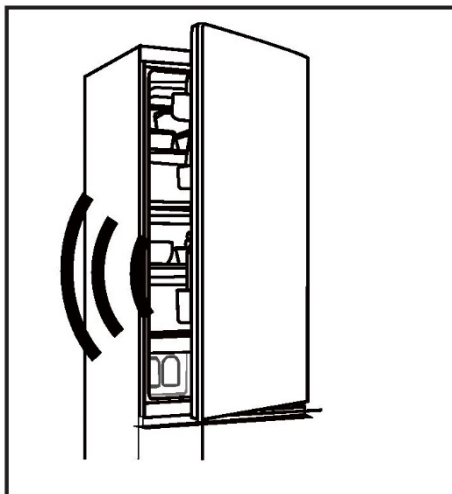
OBVESTILO

Aparat je vnaprej nastavljen na priporočeno temperaturo 4 °C. To je priporočena nastavitev. Če želite, lahko te temperature ročno spremenite.

Alarm odprtih vrat

Ko so vrata hladilnika odprta več kot 3 minute, se oglasi alarm za odprta vrata.

Alarm lahko izklopite tako, da zaprete vrata. Če vrata ostanejo odprta več kot 7 minut, se luč v hladilniku in osvetlitev nadzorne plošče samodejno izklopita.



Vklop/izklop napajanja

Ko je aparat vklopljen, pritisnite gumb K1 za 3 sekunde, da aparat preide v stanje pripravljenosti, kompresor preneha delovati in luč ugasne; ko je aparat v stanju pripravljenosti, pritisnite gumb K1 za 3 sekunde, da se aparat vklopi, kompresor začne delovati in luč zasveti.

Nastavitev temperature

Na notranjo temperaturo vplivajo naslednji dejavniki:


Temperatura prostora


Pogostost odpiranja vrat
Količina shranjenih živil
Namestitvev aparata

Prilagoditev temperature v predelu hladilnika/zamrzovalnika

1. Pritisnite tipko »K2« (izbira temperature v hladilniku), da izberete temperaturo v hladilniku;
2. Indikator »B« (prikaz temperature v hladilniku) bo izmenično zasvetil, kot je prikazano spodaj;
 $2^{\circ} \rightarrow 4^{\circ} \rightarrow 6^{\circ} \rightarrow 8^{\circ}$
3. Ko na nadzorni plošči izberete temperaturo v hladilniku, je ustrezna temperatura v zamrzovalniku $2^{\circ} (-22^{\circ}) \rightarrow 4^{\circ} (-20^{\circ}) \rightarrow 6^{\circ} (-18^{\circ}) \rightarrow 8^{\circ} (-16^{\circ})$.

Funkcija Fresh 0°C

Če želite vstopiti v način »0°«, pri odprtih vratih hladilnika pritisnite K2 za 3 sekunde. Oglasi se zvočni signal, zasveti indikator »0°« in temperatura v predalu Fresh 0°C se nastavi na približno 0 °C.

Če želite izstopiti iz načina »0°«, pri odprtih vratih hladilnika pritisnite K2 za 3 sekunde. Oglasi se zvočni signal, »0°« ugasne in temperatura v predalu »0°« se bo spreminjala glede na temperaturo hladilnika.

Prilagajanje temperature

Po uspešni vzpostavitvi povezave Wi-Fi hladilnika lahko spreminjate temperaturo prek aplikacije. Po prilagoditvi prikaz C ugasne. Ob vsaki uspešni prilagoditvi temperature lučka na vratih enkrat utripne.

Nastavljivo območje hladilnika je 2°, 3°, 4°, 5°, 6°, 7°, 8°;

Nastavljivo območje zamrzovalnika je -24°, -23°, -22°, -21°, -20°, -19°, -18°, -17°, -16°.

Funkcijo Fresh 0 °C lahko vklopite ali izklopite.

Funkcija Super Freeze

1. Svežo hrano je treba čim prej povsem zamrzniti. S tem lahko najboljše ohranite hranilno vrednost, videz in okus. Funkcija Super Freeze pospeši zamrzovanje svežih živil in ščiti živila, ki so že shranjena, pred neželenim segrevanjem. Če želite naenkrat zamrzniti veliko količino hrane, je priporočljivo, da funkcijo Super Freeze nastavite 24 ur pred uporabo predela zamrzovalnika.

2. V funkcijo Super Freeze lahko vstopite prek aplikacije in pojavi se ustrezen prikaz.



OBVESTILO

1. Aparat funkcijo Super Freeze izklopi po 50 urah delovanja ali če pritisnete »K2« ali jo izklopite prek aplikacije.
2. Med delovanjem funkcije Super Freeze temperature v predelu zamrzovalnika ni mogoče nastavljati.



Funkcija Super Cool

1. Priporočamo, da funkcijo Super Cool vklopite, ko morate shraniti večjo količino hrane (na primer po nakupovanju). Funkcija Super Cool pospeši hlajenje sveže hrane in zaščiti hrano, ki je že shranjena, pred neželenim segrevanjem.
2. V funkcijo Super Cool lahko vstopite prek aplikacije. Ikona C na zaslonu ugasne.



OBVESTILO

1. Aparat funkcijo Super Cool izklopi po 6 urah delovanja ali če pritisnete »K2« ali jo izklopite prek aplikacije.
2. Med delovanjem funkcije Super Cool temperature v predelu hladilnika ni mogoče nastavljati.

Funkcija Holiday

Funkcijo Holiday lahko uporabite za zmanjšanje porabe energije aparata, kadar je ne uporabljate redno. Ko je funkcija vklopljena, je hladilnik izklopljen, zamrzovalnik pa še naprej normalno deluje. Ta funkcija temperaturo hladilnika trajno nastavi na 17 °C. V funkcijo Holiday lahko vstopite prek aplikacije. Ikona C na zaslonu ugasne.



OBVESTILO

Funkcijo lahko izklopite z nastavitvijo temperature hladilnika ali izvedbo katere koli druge nastavitve, ali pa jo izklopite prek aplikacije.

Ko je vklopljen način Holiday, luč v hladilniku ne sveti.

Funkcija povezave Wi-Fi

Pri odprtih vratih hladilnika dolgo pritisnite tipko K1 za 3 sekunde. Oglasi se zvočni signal, ikona hitro utripa in Wi-Fi preide v stanje konfiguracije.

Alarm za odprta vrata in nasveti v primeru težav

Če so vrata hladilnika odprta več kot 3 minute, se večkrat oglasi zvočni signal in indikatorska lučka za vrata utripa; če vrat ne zaprete niti po 13 minutah, se zvočni signal preneha oglašati, indikatorska lučka za vrata pa še naprej utripa.

Če vrata hladilnika/zamrzovalnika zaprete, vendar se zvočni signal ne preneha oglašati in lučka še naprej utripa, je prišlo morda do okvare delov hladilnika. Čim prej se obrnite na službo za pomoč uporabnikom. Pomnilnik ob izpadu napajanja

Ob izklopu hladilnika se stanje delovanja tik pred izpadom napajanja shrani v pomnilnik. Ob ponovnem vklopu napajanja hladilnik deluje pri nastavitvah, ki so bile nastavljene pred izpadom napajanja.

Nasveti za shranjevanje svežih živil

Shranjevanje v hladilnik

Temperatura v hladilniku naj bo manj kot 5 °C.

Vročo hrano je treba pred shranjevanjem v aparatu ohladiti na sobno temperaturo.

Živila, ki jih želite shranjevati v hladilniku, je treba pred shranjevanjem oprati in posušiti.

Živila, ki jih želite shranjevati, morajo biti pravilno zaprta, da preprečite vonjave ali spremembe okusa.

Ne shranjujte prevelikih količin hrane. Med posameznimi živili pustite nekaj mesta, da jih obda hladen zrak, s čimer dosežete boljše in bolj homogeno hlajenje.

Živila, ki jih uporabljate vsak dan, je treba hraniti na sprednji strani police.

Med posameznimi živili in notranjimi stenami pustite nekaj mesta, s čimer omogočite pretok zraka. Predvsem pa ne shranjujte živil ob zadnji steni: hrana lahko primrzne na zadnjo steno. Izogibajte se neposrednemu stiku hrane (zlasti mastne ali kisle hrane) z notranjo oblogo, saj lahko olje/kislina uniči notranjo oblogo. Očistite mastno/kislo umazanijo, kadarkoli jo najdete.

Zamrznjena živila lahko nežno odmrznete v hladilniku. Tako prihranite energijo.

Postopek staranja sadja in zelenjave, kot so bučke, melone, papaja, banana, ananas itd., se lahko v hladilniku pospeši. Zato jih ni priporočljivo shranjevati v hladilniku. Zorenje močno zelenih plodov pa za nekaj časa lahko pospešite. Tudi čebulo, česen, ingver in drugo korenovko je treba hraniti pri sobni temperaturi.

Neprijetni vonji v hladilniku so znak, da se je nekaj razlilo in da je potrebno čiščenje. Glejte poglavje Nega in čiščenje

Različna živila je treba postaviti v različna območja glede na njihove lastnosti.

Shranjevanje v predelu zamrzovalnika

- Temperaturo zamrzovalnika pustite na -18 °C.
- Vročo hrano je treba pred shranjevanjem v zamrzovalnem predelu ohladiti na sobno temperaturo.
- Hrana, razrezana na majhne porcije, bo hitreje zmrznila in lažje jo boste odtalili ter kuhali. Priporočena teža vsakega obroka je manjša od 2,5 kg
- Bolje je, da hrano spravite v embalažo, preden jo shranite v zamrzovalnik. Zunanost embalaže mora biti suha, da se prepreči lepljenje vrečk. Embalažni materiali morajo biti brez vonja, nestrupeni in netoksični ter morajo tesniti.
- Da bi se izognili izteku obdobja shranjevanja, si zabeležite datum zamrznitve, rok in ime živila na embalaži glede na obdobja shranjevanja različnih živil.



OPOZORILO!

Kislina, alkalije in sol itd. lahko poškodujejo notranjo površino zamrzovalnika.

- Živil, ki vsebujejo te snovi (npr. morske ribe), ne polagajte neposredno na notranjo površino. Slano vodo v zamrzovalniku je treba takoj očistiti.
- Ne prekoračite časa shranjevanja živil, ki ga priporočajo proizvajalci. Iz zamrzovalnika vzemite samo potrebno količino hrane.
- Odmrznjena živila hitro zaužijte. Odmrznjene hrane ni mogoče znova zamrzniti, če je najprej ne skuhate, sicer je manj užitna.
- V hladilnik ne nalagajte prevelikih količin sveže hrane. Glejte zamrzovalno zmogljivost zamrzovalnika - glejte TEHNIČNE PODATKE ali podatke na tipski tablici.
- Živila lahko hranite v zamrzovalniku pri temperaturi najmanj -18°C 2 do 12 mesecev, odvisno od njegovih lastnosti (npr. meso: 3–12 mesecev, zelenjavo: 6–12 mesecev).
- Pri zamrzovanju sveže hrane se izogibajte stiku z že zamrznjeno hrano.
Tveganje ali odtajanje!

Pri shranjevanju komercialno zamrznjenih živil upoštevajte ta navodila:

- Vedno upoštevajte proizvajalčeve smernice glede dolžine za shranjevanje živil. Ne prekoračite teh smernic!
- Naj bo čas med nakupom in shranjevanjem čim krajši, da ohranite kakovost hrane.
- Kupite zamrznjena živila, ki so bila shranjena pri temperaturi -18°C ali nižji.
- Izogibajte se nakupu hrane z ledom ali zmrzaljo na embalaži – to pomeni, da so bili izdelki v določenem trenutku morda delno odmrznjeni in znova zamrznjeni – dvig temperature vpliva na kakovost hrane.

Nastavitev načina Wi-Fi

POSTOPEK SEZNANITVE V APLIKACIJI

1. korak – Prenesite aplikacijo hOn iz ene od trgovin



2. korak – Ustvarite svoj račun v aplikaciji hOn ali pa se prijavite, če račun že imate.



3. korak – Sledite navodilom za seznanjanje v aplikaciji hOn



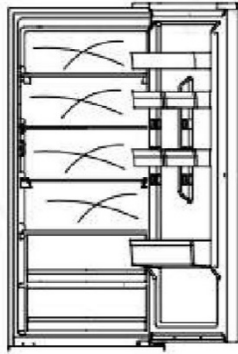
Radijski modul – tehnični podatki

Frekvenca (OFR)	2400 MHz–2843,5 MHz
Frekvence kanalov	2412...2472 MHz (velikost koraka 5 MHz)
Največja moč (EIRP)	100 mW



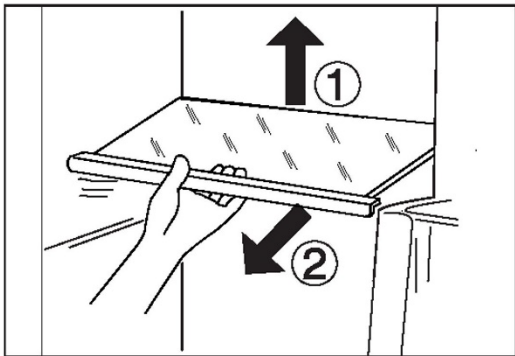
OBVESTILO

Zaradi različnih modelov vaš izdelek morda nima vseh naslednjih funkcij.
Glejte poglavje Opis izdelka.



Več pretokov zraka

Hladilnik je opremljen s sistemom z več pretoki zraka, s katerim se hladni pretoki zraka nahajajo na vsaki ravni police. To pomaga ohranjati enotno temperaturo, da ostane hrana dlje časa sveža.

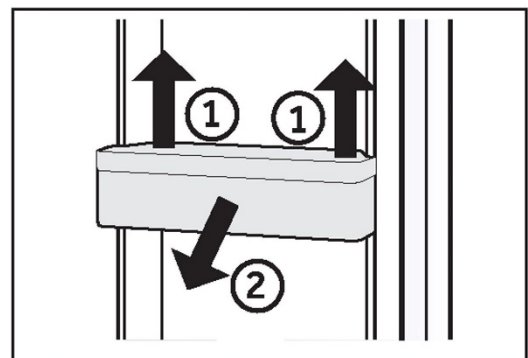


Nastavljive police

1. Višino polic lahko prilagodite tako, da ustrezajo vašim potrebam po shranjevanju.
2. Za premik police jo najprej odstranite tako, da dvignete njen zadnji rob ① in jo izvlečete ②.
3. Če jo želite znova namestiti, jo postavite na vodila na obeh straneh in potisnite do konca nazaj, dokler zadnji del police ni pritrjen v reže na strani

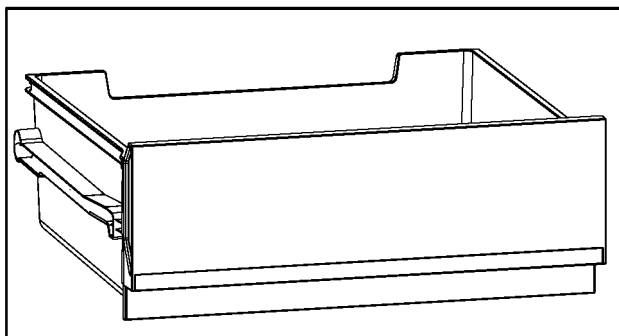
Odstranljive police za vrata/nosilec za steklenice

1. Posode v vratih lahko odstranite za čiščenje:
2. Položite roko na vsako stran posode in jo dvignite ① ter izvlecite ②.
3. Za vstavitvev posode v vrata izvedite zgornje korake v obratnem vrstnem redu.



Predal za shranjevanje v hladilniku

Za uporabo in nastavitve predela za shranjevanje v hladilniku glejte poglavje UPORABA.



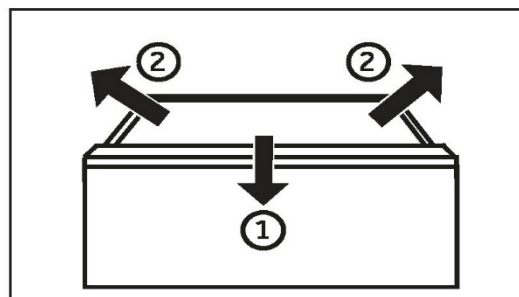
Predal zamrzovalnika

Predale zamrzovalnika lahko naravnost in povsem izvlečete. Nameščeni so na gladko tekočem teleskopskem vodilu. Omogočajo udobno shranjevanje in odstranjevanje zamrznjene hrane. Zaradi mehanizma samodejnega zapiranja vrat je rokovanje enostavno in lahko prihranite energijo.

Odstranljiv predal

Če želite predal odstraniti, ga v največji možni meri izvlecite ①, dvignite in odstranite ②.

Za vstavitve predala zgornje korake izvedite v obratnem vrstnem redu.



OPOZORILO!

Predalov ne preobremenjujte: Največja obremenitev posameznega predala: 35 kg!

Luč

Notranja lučka LED se prižge, ko so odprta vrata. Na delovanje luči ne vpliva nobena druga nastavitve aparata.



Namigi za varčevanje z električno energijo

- ▶ Prepričajte se, da je aparat pravilno prezračen (glejte NAMESTITEV).
- ▶ Aparata ne postavljajte neposredno na sonce ali blizu virov toplote (npr. štedilnikov, grelcev).
- ▶ Izogibajte se nepotrebno nizki temperaturi v aparatu. Poraba energije se poveča, ko je v aparatu nastavljena nižja temperatura.
- ▶ Počakajte, da se toplotno obdelana živila ohladijo in jih šele nato postavite v aparat.
- ▶ Vrata aparata odprite čim manjkrat in za čim krajši čas.
- ▶ Aparata ne polnite preveč, da se izognete oviranju pretoka zraka.
- ▶ Izogibajte se zraku v embalaži živil.
- ▶ Tesnila vrat naj bodo čista, da se bodo vrata vedno pravilno zaprla.
- ▶ Pri konfiguraciji, ki najbolj varčuje z energijo, morajo biti predali in police v aparatu nameščeni v tovarniškem stanju, hrano pa je treba položiti tako, da ne ovira odvoda zraka iz kanala.



OPOZORILO!

Aparat pred čiščenjem izključite iz napajanja.

Čiščenje

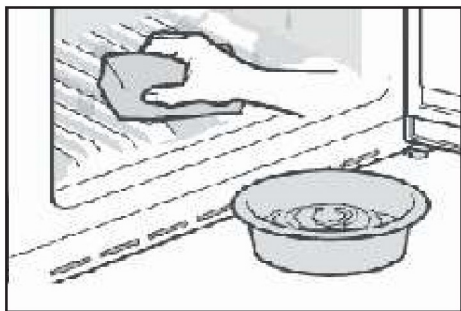
Aparat očistite, ko hranite le malo živil ali nič.

Aparat je treba očistiti vsake štiri tedne za dobro vzdrževanje in za preprečevanje neprijetnega vonja hrane.



OPOZORILO!

- ▶ Aparata ne čistite s trdimi ščetkami, žičnimi krtačami, detergentom v prahu, bencinom, amil acetatom, acetonom in podobnimi organskimi raztopinami, kislimi ali alkalnimi raztopinami. Čistite ga s posebnim detergentom za hladilnik, da se izognete poškodbam.
- ▶ Med čiščenjem aparata ne škropite ali spirajte.
- ▶ Aparata ne čistite s pršenjem vode ali paro.
- ▶ Hladnih steklenih polic ne čistite z vročo vodo. Zaradi nenadne spremembe temperature se lahko steklo zlomi.
- ▶ Ne dotikajte se notranjosti zamrzovalnega predela, zlasti z mokrimi rokami, saj lahko vaše roke primrznejo na površino.



- ▶ Tesnilo na vratih naj bo vedno čisto.
- ▶ Očistite notranjost in ohišje aparata z gobo, navlaženo v topli vodi in nevtralnem čistilu.
- ▶ Z mehko brisačo ali gobico, namočeno v toplo vodo (v toplo vodo lahko dodate nevtralen detergent), obrišite notranjost in zunanost hladilnika, vključno s tesnilom na vratih, stojalom za vrata, steklenimi policami, posodami in podobno.
- ▶ Če pride do razlitja tekočine, odstranite vse kontaminirane dele, neposredno jih sperite s tekočo vodo, posušite in vrnite v hladilnik.
- ▶ Če pride do razlitja kremaste snovi (na primer smetana, stopljeni sladoled), odstranite vse kontaminirane dele, za nekaj časa postavite v toplo vodo s temperaturo približno 40 °C, nato sperite s tekočo vodo, posušite in vrnite nazaj v hladilnik.
- ▶ Če se majhen del ali komponenta zatakne v hladilniku (med policami ali predali), ga odstranite z majhno mehko krtačo. Če dela ne dosežete, se obrnite na servis Haier.
- ▶ Sperite in posušite z mehko krpo.
- ▶ Nobenega dela aparata ne čistite v pomivalnem stroju.
- ▶ Pred ponovnim zagonom aparata počakajte vsaj 7 minut, saj lahko pogosto zaganjanje poškoduje kompresor.

Odmrzovanje

Odmrzovanje predelov hladilnika in zamrzovalnika se izvede samodejno: ročno upravljanje ni potrebno.

Menjava luči LED



OPOZORILO!

LED-lučke ne smete zamenjati sami, zamenjati jo sme le proizvajalec ali pooblaščen serviser.

Luči kot vir svetlobe uporabljajo sijalke LED z nizko porabo energije in dolgo življenjsko dobo. Če pride do kakršnih koli nepravilnosti, se obrnite na službo za pomoč strankam. Glejte SLUŽBA ZA POMOČ STRANKAM.

Parametri luči:

Hladilni prostor: največ 12 V, 1,5 W

Dolgotrajna neuporaba

Če aparata dlje časa ne uporabljate:

vso hrano odstranite;

izklopite napajalni kabel;

očistite aparat, kot je opisano zgoraj;

vrata naj ostanejo odprta, da preprečite nastanek neprijetnega vonja.



OBVESTILO

Aparat izklopite le, če je to nujno potrebno.

Premikanje aparata

1. Odstranite vso hrano in izključite aparat.
2. Police in druge premične dele v hladilniku in zamrzovalniku pritrdite z lepilnim trakom.
3. Hladilnika ne nagibajte za več kot 45°, da ne poškodujete hladilnega sistema.



OPOZORILO!

- ▶ Aparata ne dvigujte za ročaje.
- ▶ Aparata nikoli ne postavljajte vodoravno na tla.

Številne težave, do katerih prihaja, bi lahko rešili sami brez posebnega strokovnega znanja. V primeru težav preverite vse prikazane možnosti in sledite spodnjim navodilom, preden se obrnete na servisno službo. Glejte SLUŽBA ZA POMOČ STRANKAM.



OPOZORILO!

- ▶ Pred vzdrževanjem izklopite aparat in odklopite vtič iz vtičnice.
- ▶ Električno opremo lahko servisirajo samo usposobljeni električarji, saj lahko nepravilna popravila povzročijo znatno posledično škodo.
- ▶ Če je napajalni kabel poškodovan, ga sme zamenjati samo proizvajalec, njegov servisni agent ali drug kvalificiran serviser, da preprečite morebitne nevarnosti.

Težava	Možen vzrok	Možna rešitev
Kompresor ne deluje.	<ul style="list-style-type: none"> • Omrežni vtič ni priključen v omrežno vtičnico. • Aparat je v ciklu odmrzovanja 	<ul style="list-style-type: none"> • Priključite omrežni vtič. • To je normalno za avtomatsko odmrzovanje
Aparat deluje prepogosto ali deluje predolgo.	<ul style="list-style-type: none"> • Notranja ali zunanja temperatura je previsoka. • Aparat že nekaj časa ni vklopljen. • Vrata aparata niso tesno zaprta. • Vrata so bila odprta prepogosto ali predolgo. • Nastavitev temperature v zamrzovalnem prostoru je prenizka. • Tesnila vrat so umazana, obrabljena, razpokana ali neporavnana. • Zahtevano kroženje zraka ni zagotovljeno. 	<ul style="list-style-type: none"> • V tem primeru je običajno, da aparat deluje dlje. • Običajno traja od 8 do 12 ur, da se aparat popolnoma ohladi. • Zaprite vrata/predal in se prepričajte, da je aparat nameščen na ravni podlagi in da na vratih ni ovirajoče hrane ali posode. • Vrat/predala ne odpirajte prepogosto. • Nastavite višjo temperaturo, dokler ni dosežena zadovoljiva temperatura za hlajenje. Temperatura hladilnika je stabilna po 24 urah. • Očistite tesnilo vrat/predala ali prosite službo za pomoč strankam, da vam ga zamenja. • Zagotovite ustrezno prezračevanje.
Notranjost hladilnika je umazana in/ali ima neprijeten vonj.	<ul style="list-style-type: none"> • Notranjost hladilnika je potrebno očistiti. • V hladilniku je shranjena hrana z močnim vonjem. 	<ul style="list-style-type: none"> • Očistite notranjost hladilnika. • Hrano dobro zavijte.



Težava	Možen vzrok	Možna rešitev
Znotraj aparata ni dovolj hladno.	<ul style="list-style-type: none"> • Temperatura je nastavljena previsoko. • Spravili ste preveč tople hrane. • Naenkrat ste spravili preveč hrane. • Živila so preblizu drug drugemu. • Vrata/predal aparata ni(so) tesno zaprt(a). • Vrata/predal je bil odprt prepogosto ali predolgo. 	<ul style="list-style-type: none"> • Ponastavite temperaturo. • Preden blago shranite, ga vedno ohladite. • Vedno shranjujte manjše količine hrane. • Pustite razmik med živili, ki omogoča pretok zraka. • Zaprite vrata/predal. • Vrat/predala ne odpirajte prepogosto.
Znotraj aparata je prehladno.	<ul style="list-style-type: none"> • Temperatura je nastavljena prenizko. 	<ul style="list-style-type: none"> • Ponastavite temperaturo.
Nastajanje vlage na notranji strani hladilnega prostora.	<ul style="list-style-type: none"> • Zunanje okolje je pretoplo in prevlažno. • Vrata/predal aparata ni(so) tesno zaprt(a). • Vrata/predal je bil odprt prepogosto ali predolgo. • Posode s hrano ali tekočine so ostale odprte. 	<ul style="list-style-type: none"> • Povečajte temperaturo. • Zaprite vrata/predal. • Vrat/predala ne odpirajte prepogosto. • Vroča hrana naj se ohladi na sobno temperaturo, hrano in tekočine pa zaprite.
Vlaga se nabira na zunanji površini hladilnika ali med vrati in predalom.	<ul style="list-style-type: none"> • Zunanje okolje je pretoplo in prevlažno. • Vrata niso tesno zaprta. Hladen zrak v aparatu in topel zunanji zrak kondenzirata. 	<ul style="list-style-type: none"> • To je normalno v vlažnem podnebju in se bo spremenilo, ko se vlažnost zmanjša. • Prepričajte se, da so/je vrata/predal tesno zaprt(a).
Močan led in zmrzal v zamrzovalnem prostoru.	<ul style="list-style-type: none"> • Blago ni bilo ustrezno zapakirano. • Vrata/predal aparata ni(so) tesno zaprt(a). • Vrata/predal je bil odprt prepogosto ali predolgo. • Tesnila vrat/predala so umazana, obrabljena, razpokana ali neustrezna. • Nekaj na notranji strani preprečuje pravilno zapiranje vrat/predala. 	<ul style="list-style-type: none"> • Blago vedno dobro zapakirajte. • Zaprite vrata/predal. • Vrat/predala ne odpirajte prepogosto. • Očistite tesnilo vrat/predala ali ga zamenjajte z novim. • Premaknite police, posode v vratih ali notranje posode, da se vrata/predal zaprejo.



Težava	Možen vzrok	Možna rešitev
Strani hladilnika in trak na vratih se segrejejo.	<ul style="list-style-type: none">-	<ul style="list-style-type: none">To je običajno.
Aparat proizvaja nenormalne zvoke.	<ul style="list-style-type: none">Aparat ni nameščen na ravno podlago.Aparat se dotika predmeta v njeni bližini.	<ul style="list-style-type: none">Nastavite noge, da poravnate aparat.Odstranite predmete okoli aparata.
Slišati je mogoče rahel zvok, podoben zvoku pretakanja vode.	<ul style="list-style-type: none">-	<ul style="list-style-type: none">To je običajno.
Zaslišali boste pisk alarma.	<ul style="list-style-type: none">Vrata hladilnega prostora so odprta.	<ul style="list-style-type: none">Zaprte vrata.
Slišali boste šibko brnenje.	<ul style="list-style-type: none">Sistem proti kondenzaciji deluje	<ul style="list-style-type: none">To preprečuje kondenzacijo in je normalno
Notranja razsvetljava ali hladilni sistem ne deluje.	<ul style="list-style-type: none">Je v demo načinu	<ul style="list-style-type: none">Hladilnik je priključen na elektriko in vrata hladilnika so odprta.Pritisnite in držite gumb K1 ter petkrat kliknite gumb K2. Ikona bo prenehala utripati.
Notranja razsvetljava ali hladilni sistem ne deluje.	<ul style="list-style-type: none">Omrežni vtič ni priključen v omrežno vtičnico.Napajanje ne deluje pravilno.Lučka LED ne deluje.	<ul style="list-style-type: none">Priključite omrežni vtič.Preverite električno napajanje prostora. Pokličite lokalno elektro podjetje!Za zamenjavo lučke pokličite servisno službo.



Če se želite obrniti na tehnično pomoč, obiščite naše spletno mesto:
<https://corporate.haier-eu-rope.com/en/>

V razdelku »spletno mesto« izberite blagovno znamko izdelka in državo. Preusmerjeni boste na določeno spletno mesto, kjer boste našli telefonsko številko in obrazec za stik s tehnično pomočjo.

Prekinitev napajanja

V primeru izpada električne energije naj bi hrana ostala varno hladna približno 5 ur. Upoštevajte te nasvete, če pride do daljše prekinitve napajanja, zlasti poleti:

- ▶ Čim manjkrat odprite vrata/predal.
- ▶ Med prekinitvijo napajanja v aparat ne vstavljajte dodatnih živil.
- ▶ Če ste predhodno obveščeni o prekinitvi napajanja in je trajanje prekinitve daljše od 5 ur, naredite nekaj ledu in ga postavite na vrh hladilnega predela.
- ▶ Takoj po prekinitvi je potreben pregled blaga.
- ▶ Ker bo temperatura v hladilniku med prekinitvijo napajanja ali drugo okvaro narasla, se obdobje shranjevanja in užitnosti hrane skrajša. Takoj za tem je vsako hrano, ki se odtaja, treba zaužiti ali skuhati in znova zamrzniti (kjer je to primerno), da se prepreči tveganje za zdravje.

Funkcija pomnilnika med prekinitvijo napajanja

Po ponovni vzpostavitvi napajanja aparat nadaljuje z nastavitvami, ki so bile nastavljene pred izpadom električne energije.

Razpakiranje



OPOZORILO!

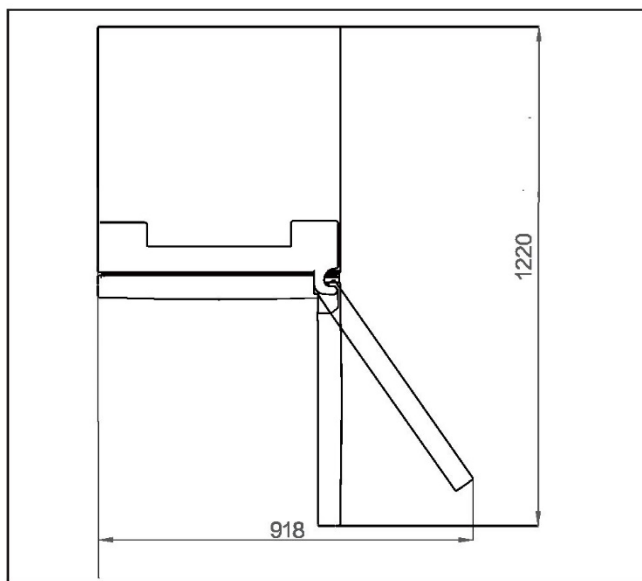
- ▶ Aparat je težak. Prenašata ga naj vsaj dve osebi.
- ▶ Vso embalažo hranite izven dosega otrok in jo zavržite na okolju prijazen način.
- ▶ Vzemite aparat iz embalaže.
- ▶ Odstranite vso embalažo.

Okoljski pogoji

Za ta hladilnik, na primer CNCQ2T620EX, CNCQ2T620EW, CNCQ2T618EX, CNCQ4T618EW, CNCQ4T618EB, mora biti sobna temperatura vedno med 10 °C in 43 °C; za ta hladilnik, na primer CNCQ4T620DX, CNCQ4T620DW, mora biti sobna temperatura vedno med 10 °C in 38 °C, saj lahko vpliva na temperaturo v notranjosti aparata in njeno porabo energije. Aparata ne nameščajte brez izolacije v bližini drugih naprav, ki oddajajo toploto (pečice, hladilniki).

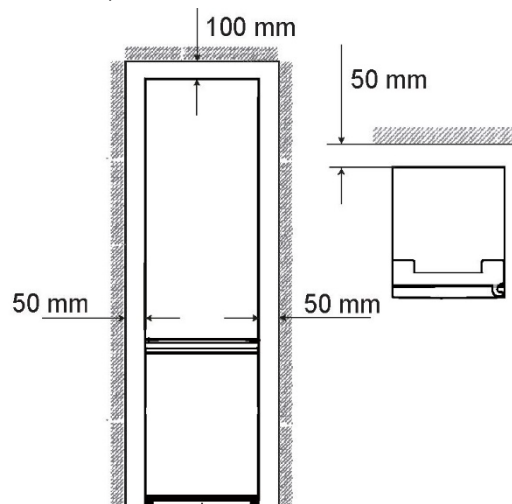
Prostorske zahteve

Priporočeni prostor, ko so vrata



Prezračevanje v prerezu

Da bi iz varnostnih razlogov dosegli zadostno prezračevanje aparata, je treba upoštevati informacije o zahtevanih prezračevalnih površinah.

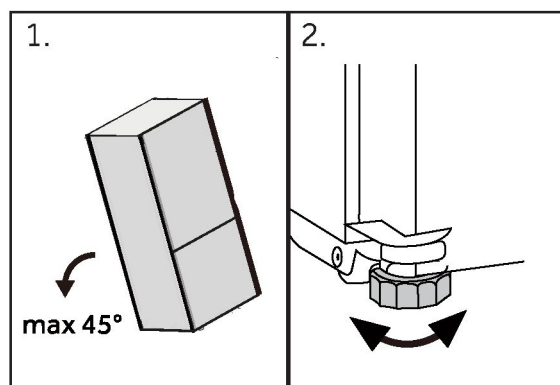


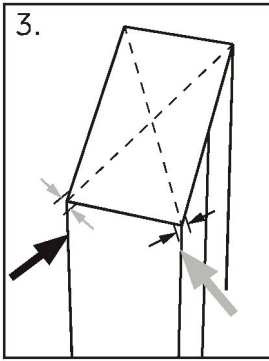
Poravnava aparata

Aparat naj bo postavljen na ravno in trdno površino.

1. Hladilnik rahlo nagnite nazaj.
2. Noge nastavite na zeleno raven.

Prepričajte se, da je razdalja do stene na strani tečaja vsaj 100 mm, da se lahko vrata normalno odprejo.



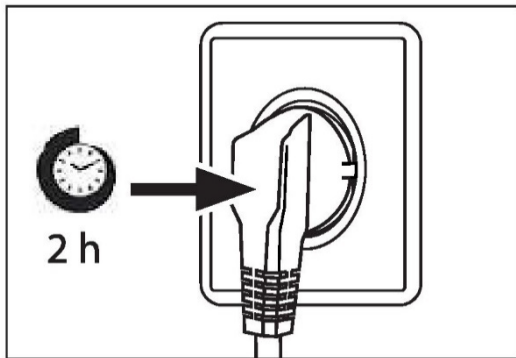


1. Stabilnost lahko preverite z izmeničnim pomikanjem po diagonalah. Rahlo zibanje mora biti enako v obe smeri. V nasprotnem primeru se okvir lahko deformira; rezultat je morebitno puščanje tesnil vrat. Rahel nagib nazaj olajša zapiranje vrat.



OBVESTILO

Za prostostoječi aparat: ta hladilnik ni namenjen uporabi kot vgradni hladilnik



Čas čakanja

Mazalno olje, ki ga ni treba vzdrževati, je v kapsuli kompresorja. Če je aparat nagnjen, lahko to olje med transportom steče skozi zaprt cevni sistem. Preden aparat priključite na napajanje, počakajte vsaj 2 uri, da olje priteče nazaj v kapsulo.

Priključitev v električno omrežje

Pred vsako priključitvijo preverite, ali:

- ▶ so napajanje, vtičnica in varovalke skladni s tipsko tablico,
- ▶ je vtičnica ozemljena in da v bližini ni podaljška z več vtičnicami ali kableskega podaljška,
- ▶ sta vtič in vtičnica pravilno nameščena.

Vtič priključite v pravilno nameščeno gospodinjsko vtičnico.



OPOZORILO!

Da bi se izognili tveganju, mora servis zamenjati poškodovan napajalni kabel (glejte garancijski list).

Sprememba smeri odpiranja vrat

Pred priključitvijo aparata na napajanje preverite, ali je treba nihanje vrat zamenjati z desne (stanje ob dobavi) na levo, če je to potrebno zaradi mesta namestitve in uporabnosti.

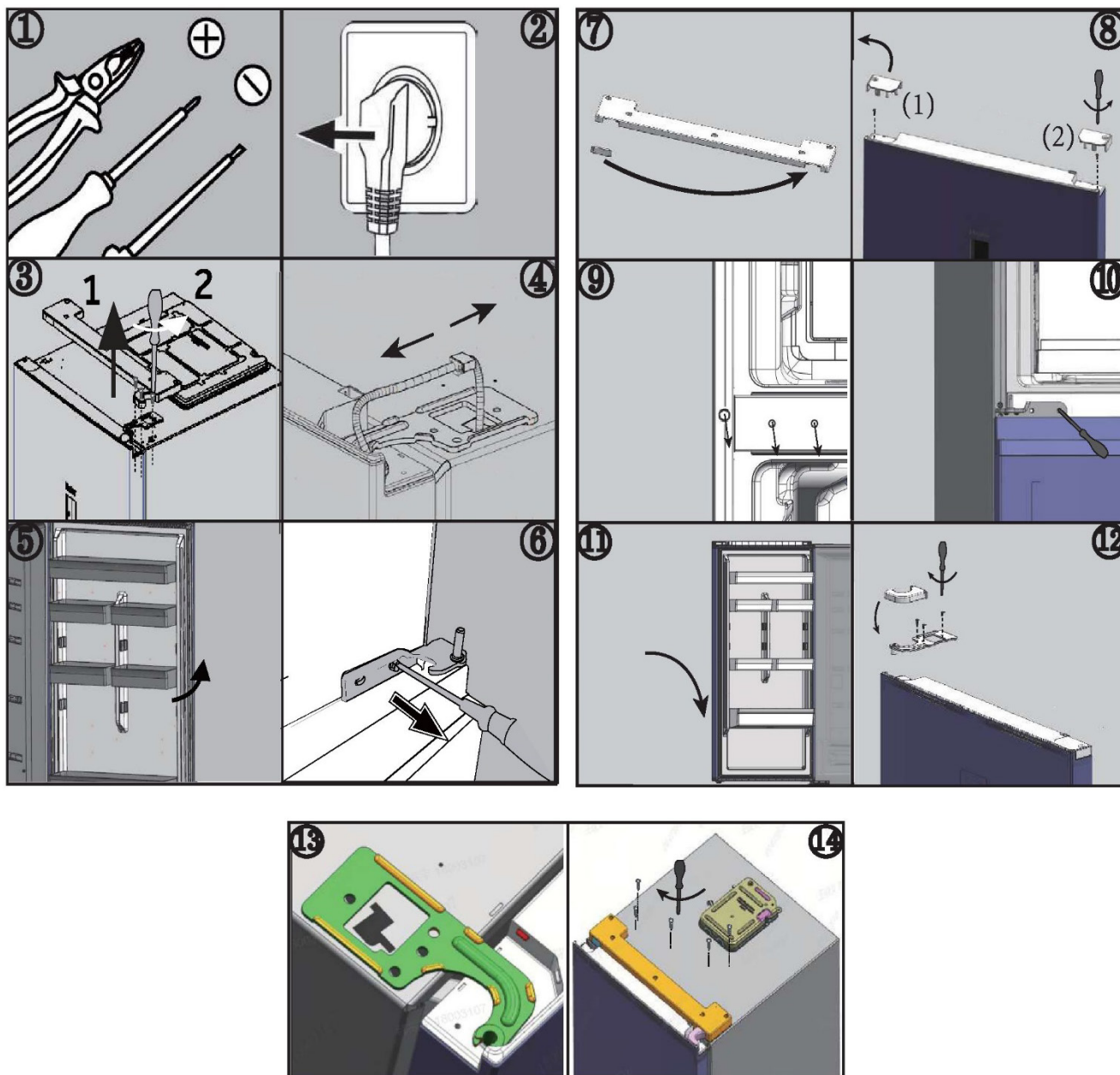


OPOZORILO!

- ▶ Aparat je težak. Za spremembo smeri odpiranja vrat sta potrebni dve osebi.
- ▶ Pred kakršnim koli delom najprej izklopite aparat iz električnega omrežja.
- ▶ Aparata ne nagibajte za več kot 45 °C, da preprečite poškodbe hladilnega sistema.

Koraki sestavljanja

1. Zagotovite potrebno orodje.
 2. Izklopite aparat.
 3. Odstranite pokrov zgornjega tečaja 1 in odvijte zgornji tečaj (trije vijaki) na desni strani 2.
 4. Previdno dvignite vrata hladilnika s srednjega tečaja.
 5. Odstranite srednji tečaj.
 6. Premaknite majhen pokrov sprednje plošče z leve na desno stran.
 7. Obrnite vrata na glavo in odvijte pokrov (1). Iz vrečke z dodatki vzemite nov pokrov (2) in ga privijte na nasprotno stran.
 8. Zamenjajte položaje slepih čepov in vijaka na strani.
 9. Privijte srednji tečaj na levo stran aparata. Bodite pozorni na obračanje vrtenja srednjega tečaja in se prepričajte, da je stran s tesnilom obrnjena navzgor.
 10. Previdno dvignite zgornja vrata s srednjega tečaja. Prepričajte se, da se vrtljiva os prilega cevi tečaja spodnjih vrat.
 11. Iz vrečke z dodatki vzemite nov zgornji tečaj in pokrov tečaja. S tremi vijaki na levi strani aparata pritrdite zgornji tečaj. Namestite pokrov tečaja na tečaj.
 12. Namestite sprednjo ploščo in jo pritrdite s petimi vijaki.
- Po menjavi vrat preverite, ali so tesnila vrat pravilno nameščena na ohišju in so vsi vijaki dobro priviti.



Sobne temperature

Razširjeno zmerno: ta hladilni aparat je namenjen uporabi pri sobni temperaturi od 10 do 32 °C.

Zmerno: ta hladilni aparat je namenjen uporabi pri sobni temperaturi od 16 do 32 °C.

Subtropsko: ta hladilni aparat je namenjen uporabi pri sobni temperaturi od 16 do 38 °C.

Tropsko: ta hladilni aparat je namenjen za uporabo pri sobni temperaturi od 16 °C do 43 °C.

Parametri izdelka v skladu z Uredbo (EU) 2019/2016

Na podlagi 24-urnih standardnih testnih rezultatov. Dejanska poraba energije bo odvisna od načina uporabe aparata in njenogove lokacije

Model	CNCQ4T620EW CNCQ4T620EX CNCQ4T620EB	CNCQ4T620DX CNCQ4T620DW	CNCQ4T620CX
Vrsta hladilnega aparata	Hladilnik-zamrzovalnik	Hladilnik-zamrzovalnik	Hladilnik-zamrzovalnik
Razred energijske učinkovitosti	E	D	C
Letna poraba energije (kWh/leto)	279	223	178
Prostornina predela hladilnika (L)	289	289	289
Prostornina predela zamrzovalnika (L)	120	120	120
Razred zamrzovanja	4 zvezdice	4 zvezdice	4 zvezdice
Vrsta odtajanja	Samodejno odtajanje	Samodejno odtajanje	Samodejno odtajanje
Čas dviga temperature (h)	11	11	13
Zmogljivost zamrzovanja (kg/24h)	10	10	10
Klimatski razred	SN.N.ST	SN.N.ST.T	SN.N.ST.T



Model	CNCQ4T618DX	CNCQ4T618EW CNCQ4T618EX CNCQ4T618EB
Vrsta hladilnega aparata	Hladilnik-zamrzovalnik	Hladilnik-zamrzovalnik
Razred energijske učinkovitosti	D	E
Letna poraba energije (kWh/leto)	216	270
Prostornina predela hladilnika (L)	235	235
Prostornina predela zamrzovalnika (L)	120	120
Razred zamrzovanja	4 zvezdice	4 zvezdice
Vrsta odtajanja	Samodejno odtajanje	Samodejno odtajanje
Čas dviga temperature (h)	11	11
Zmogljivost zamrzovanja (kg/24h)	10	10
Klimatski razred	SN.N.STT	SN.N.ST

Pojasnila:

- Da, vključeno

(1) Na podlagi rezultatov preskusa skladnosti s standardi v 24 urah. Dejanska poraba je odvisna od uporabe in lokacije aparata.

(2) Ocena podnebja SN: Ta aparat je namenjen uporabi pri sobni temperaturi med 10 in 32 °C

Ocena okolja N: Ta aparat je namenjen uporabi pri sobni temperaturi med 16 in 32 °C

Ocena podnebja ST: Ta aparat je namenjen uporabi pri sobni temperaturi med +16 in +38 °C

Ocena okolja T: Ta aparat je namenjen uporabi pri sobni temperaturi med +16 in +43 °C

Dodatni tehnični podatki

Model	CNCQ4T620EW CNCQ4T620EX CNCQ4T620EB	CNCQ4T620DX CNCQ4T620DW	CNCQ4T618EW CNCQ4T618EX CNCQ4T618EB
Skupna prostornina za shranjevanje (L)	409	409	355
Napetost/frekvenca	220~240 V / 50 Hz	220~240 V / 50 Hz	220~240 V / 50 Hz
Nazivni tok (A)	0,9	1,4	0,9
Glavna varovalka (A)	15	15	15
Hladilno sredstvo	R600a(53g)	R600a(53g)	R600a(53g)
Mere (Š/G/V v mm)	595*667*2050	595*667*2050	595*667*1850

Model	CNCQ4T620CX	CNCQ4T618DX
Skupna prostornina za shranjevanje (L)	409	355
Napetost/frekvenca	220~240 V / 50 Hz	220~240 V / 50 Hz
Nazivni tok (A)	1,4	1,4
Glavna varovalka (A)	15	15
Hladilno sredstvo	R600a(50g)	R600a(53g)
Mere (Š/G/V v mm)	595*667*2050	595*667*1850



Priporočamo našo službo za pomoč strankam Haier in uporabo originalnih nadomestnih delov.

Če imate težave z aparatom, najprej preverite poglavje ODPRAVLJANJE TEŽAV.

Če tam ne najdete rešitve, se obrnite na

- ▶ lokalnega prodajalca ali
- ▶ naš evropski klicni servisni center (glejte spodaj navedene telefonske številke) ali
- ▶ razdelek Servis in podpora na spletnem mestu www.haier.com, kjer lahko oddate zahtevek
- ▶ za servis in poiščete odgovore na pogosto postavljena vprašanja.

Če se želite obrniti na naš servis, se prepričajte, da imate na voljo naslednje podatke. Podatke najdete na tipski tablici.

Model _____

Serijska št. _____

V primeru uveljavljanja garancije preverite tudi garancijsko kartico, ki je priložena izdelku.

Evropski center za klicne storitve		
Država*	Telefonska številka	Stroški
Haier Italy (IT)	199 100 912	
Haier Spain (ES)	902 509 123	
Haier Germany (DE)	0180 5 39 39 99	<ul style="list-style-type: none"> • 14 centov/min, stacionarno omrežje • največ 42 centov/min, mobilno omrežje
Haier Austria (AT)	0820 001205	<ul style="list-style-type: none"> • 14,53 centa/min, stacionarno omrežje • največ 20 centov/min, vsa ostala omrežja
Haier United Kingdom (UK)	0333 003 8122	
Haier France (FR)	0980 406 409	



*Za druge države glejte www.haier.com

Haier Europe Trading S.r.l

Branch UK

Westgate House, Westgate, Ealing

London, W5 1YY

*Trajanje garancije hladilnega aparata:

Minimalno garancijsko obdobje je: 2 leti za države EU, 3 leta za Turčijo, 1 leto za Združeno kraljestvo, 1 leto za Rusijo, 3 leta za Švedsko, 2 leti za Srbijo, 5 let za Norveško, 1 leto za Maroko, 6 mesecev za Alžirijo, za Tunizijo pravna garancija ni potrebna.

*Obdobje razpoložljivosti rezervnih delov za popravilo aparata:

Termostati, temperaturni senzorji, tiskana vezja in svetlobni viri so na voljo najmanj sedem let po tem, ko je bila na trg dostavljena zadnja enota modela.

Ključavnice, tečaji vrat, pladnji in košare najmanj sedem let, tesnila vrat pa najmanj 10 let po tem, ko je bila na trg dostavljena zadnja enota modela.

*Za dodatne informacije o izdelku obiščite spletno mesto <https://eprel.ec.europa.eu/> ali skenirajte kodo QR na energijski nalepki, priloženi aparatu.



CANDY