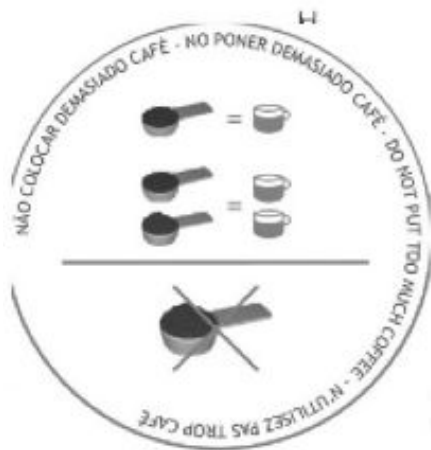
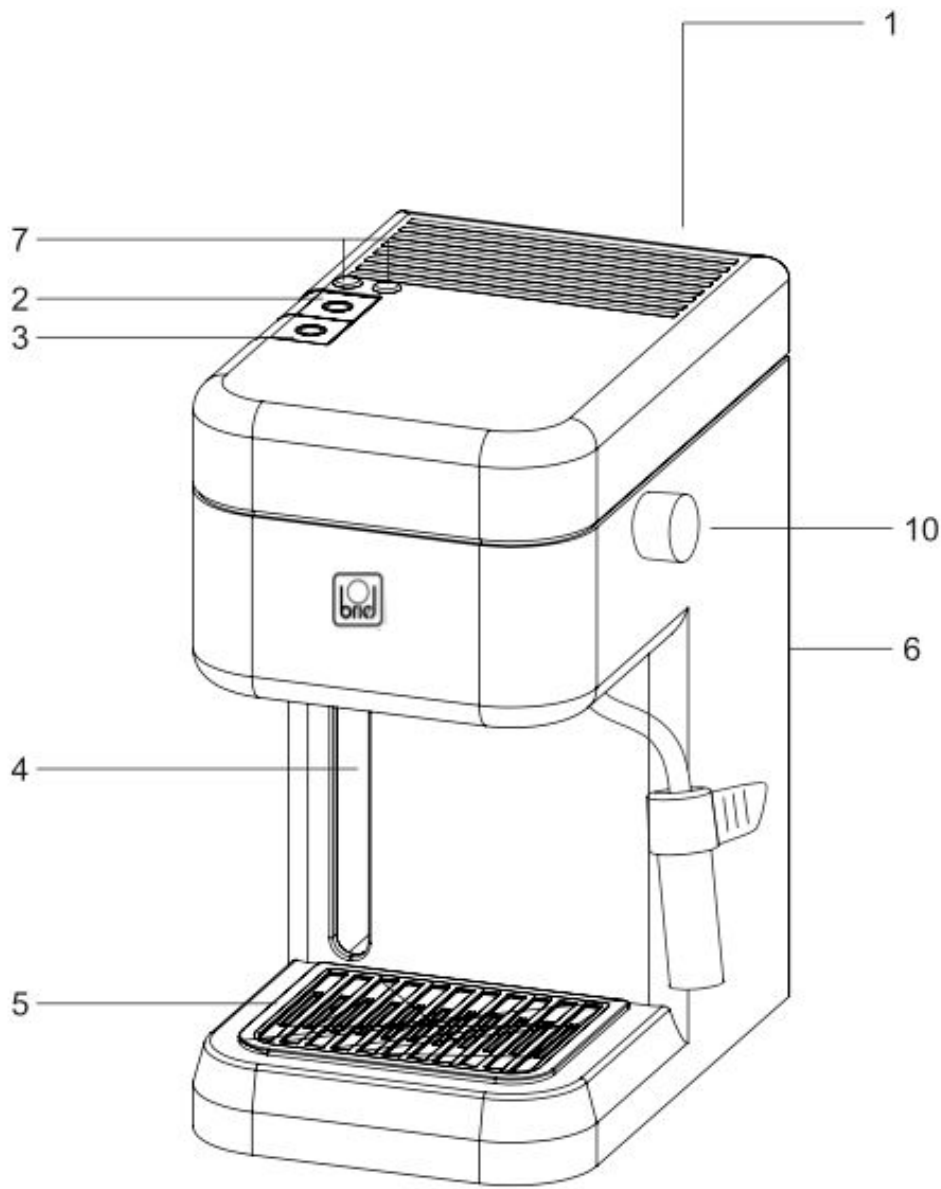




**INSTRUCTION MANUAL
MANUAL INSTRUÇÕES
MANUAL INSTRUCCIONES**

MODEL. B14S



- 1. ON/OFF Switch
- 2. Steam Switch
- 3. Coffee/Water Switch
- 4. Water Tank Level
- 5. Drip Tray
- 6. Water Tank
- 7. Pilot Light: ON/OFF and Heating
- 8. Ground Coffee Filter (2 cups)
- 9. Filter for 1 Cup or Pod
- 10. Steam Control

- 1. Botão ON/OFF
- 2. Botão Vapor
- 3. Controlo Café/Água
- 4. Indicador Nível de Água
- 5. Grelha
- 6. Depósito de Água
- 7. Luz Piloto: ON/OFF e aquecimento
- 8. Filtro 2 Doses Café (2 chávenas)
- 9. Filtro 1 chávena e Pastilha
- 10. Controlo Vapor

- 1. Botón On/OFF
- 2. Botón vapor
- 3. Botón Café/Água
- 4. Indicador de Nivel Água
- 5. Grelha
- 6. Deposito de Água
- 7. Led: ON/OFF y Calefacción
- 8. Filtro para 2 Tazas Café
- 9. Filtro para 1 Taza o pod
- 10. Regulador del Vapor

INDEX

1. Introduction
2. Important Safeguards
3. Special Cord Set Instructions
4. Preparation
5. Making Espresso
6. Preparing Cappuccino
7. Making Tea
8. Cleaning and maintenance
9. BRIEL Technology
10. Guarantee
11. Troubleshooting

1. INTRODUCTION

Dear customer, congratulations for wisely choosing BRIEL!

We have created this Instructions and Recommendations Manual so that you can find out about... THE REAL ESPRESSO. Would you like an Espresso? You can now enjoy it in the comfort of your home, alone or with friends. This is BRIEL's invitation. The velvety cream on the surface is the main characteristic of a wonderful Espresso, which must be served in small cups right after the preparation. Unlike what many people seem to think, this type of coffee is not stronger than the regular one; it is even softer, due to its preparation method. Espresso coffee is made by rapidly forcing water that has been heated to the correct brewing temperature through a special finely ground coffee or coffee pod. The pump and the water flow are easily controlled with the button or switch. This is an Espresso: a different way of getting pleasure from ground coffee, invented in Europe in the beginning of the 20th century, which now BRIEL brings to you. Making Espresso or Cappuccino is very different from using a conventional coffee maker. The Espresso maker operates with pressure and steam - it is, therefore, important to read all the instructions before using it.

2. IMPORTANT SAFEGUARDS

This appliance can be used by children aged from 8 years and above if they have been given supervision or instruction concerning use of the appliance in a safe way and if they understand the hazards involved. Cleaning and user maintenance shall not be made by children unless they are older than 8 and supervised. Keep the appliance and its cord out of reach of children aged less than 8 years. Appliances can be used by persons with reduced physical, sensory or mental capabilities or lack of experience and knowledge if they have been given supervision or instruction concerning use of the appliance in a safe way and understand the hazards involved. Children shall not play with the appliance.

The appliance is not to be used by persons (including children) with reduced physical, sensory or mental capabilities, or lack of experience and knowledge, unless they have been given supervision or instruction. Children should be supervised not to play with the appliance.

When using electrical appliances, basic safety precautions should always be followed, including the following:

- Carefully read all the instructions;
- Always connect the machine to grounded power outlet;
- Check if the voltage indicated on the machine corresponds to the mains voltage where you will be using it;
- Verify if there is water in the water tank – the water level should never be below the transparent window of the water tank;
- Do not touch hot surfaces - always use handles or knobs;
- To protect against fire, electrical shock and injuries, do not immerse cord, plugs or appliance in water or other liquid;
- Close supervision is necessary when any appliance is used by or near children;
- Unplug from the outlet when not in use and before cleaning;
- Allow to cool before putting on or taking off parts, and before cleaning the appliance;
- Clean the machine with a damp cloth, never immerse it in water;
- Do not operate any appliance with a damaged cord or plug or after any appliance malfunction, or if it has been damaged in any way. Return appliance to the nearest authorized service facility for examination, repair or adjustment;
- The use of accessories or spare parts not recommended by the appliance manufacturer may result in fire, electric shock or injuries;
- Do not place on or near a hot gas or electrical burner or in a heated oven;
- Do not use the appliance for other than the intended use. The appliance is for household use only;
- To disconnect, switch to "OFF" the power button, then remove the plug from the wall outlet;
- After unpacking the appliance, be sure to dispose carefully of the plastic bags so that children cannot reach them;
- To reduce the risk of injury, do not drape cord over the counter top or table top where it can be pulled on by children or tripped over unintentionally;
- The water pump is protected against any damages caused by excessive heating, as it automatically turns-off whenever in use for far too long. In case this happens, disconnect the machine and let it cool down for about 30min – it will be then ready to be used again.

SAVE THESE INSTRUCTIONS

Technical Data:

Please check the marking plate placed below or in the back of your appliance.

The level of equivalent continuous acoustic pressure, to which the user of this appliance is subjected during normal use, is inferior to 70 db.

3. SPECIAL CORD SET INSTRUCTIONS

- A. A short power-supply cord is provided to reduce risks resulting from becoming entangled in or tripping over a longer cord;
- B. Longer extension cords are available and may be used if care is exercised in their use;
- C. If an extension cord is used, the marked electrical rating of the extension cord should be at least as great as the electrical rating of the appliance. If the appliance is of the grounded type, the extension cord should be a grounding type 3-wire cord, and the longer cord should be arranged so that it will not drape over the counter-top or table top where it can be pulled on by children or tripped over;
- D. Your product is equipped with a polarized alternating current line plug (a plug having one blade wider than the other). This plug will fit into the power outlet only one way. This is a safety feature. If you are unable to insert the plug fully into the outlet, try reversing the plug. If the plug should still fail to fit, contact your electrician to replace your obsolete outlet. Do not defeat the safety purpose of the polarized plug;

Note: Paragraph D only applies to USA and Canada.

4. PREPARATION

All accessories (porta-filter, measuring spoon, filters, water tank) must be washed with detergent and tepid water.

Remove the water reservoir by pulling it outward and fill it with cold water.

Turn the machine ON.

Place an Espresso cup under the brew head (with the porta-filter inserted in the brew head) and turn ON the coffee function. You will hear the sound of the pump and, after a few seconds, water will flow from the brew head. Allow water to flow until cup is filled.

When the machine is new, it is recommended that several cups of water be allowed to flow through to clean it.

You must never operate the machine without water in the tank!

5. MAKING ESPRESSO

Preparing the appliance:

- Remove the water tank by pulling it outward and fill it with cold water
- Insert plug into a wall outlet
- Turn the machine ON
- Choose the Cremaker filter

With ground coffee:

-Fill the chosen filter with ground coffee using the measuring spoon provided. Place one level measure of coffee in the filter for each cup of Espresso. Do not overfill. Gently tamp down coffee with the tamper on the left side of your machine. Insert porta-filter into brew head, by turning it to the right as you face machine;

-Place one or two Espresso cups on the drip tray to line up with the spouts of the porta-filter.

With coffee pods:

- With the coffee pod, you may prepare only one Espresso at a time!
- Place a fresh coffee pod in the Cremaker filter. Insert porta-filter into brew head, by turning it to the right as you face machine;
- Place one Espresso cup on the drip tray to line up with the spouts of the porta-filter.

Brew coffee:

- Make sure steam control is closed;
- When the machine is ready and the temperature ok, the green light will appear;
- After completing all the above steps, your machine is now ready to brew coffee;
- Press brew coffee position. After a few moments, Espresso will start to flow into the cups;
- The more water you allow to flow, the softer the coffee will be. The espresso will have a light brown foam floating on top;
- To stop the water flow, simply press the coffee button again.

Porta-filter removal:

- After having brewed coffee, wait 10 to 15 seconds before removing the porta-filter.
- To make more Espresso or to remove the porta-filter, move handle to the left. Be careful, as hot water will be on top of the ground coffee|coffee pod in the porta-filter;
- Knock out used coffee grinds or coffee pod from filter;
- After Espresso preparation, rinse both the porta-filter and the used Cremaker filter.

For more Espresso, repeat the above steps.

Notes:

- If you have just used ground coffee and want to use a coffee pod just after, simply press the coffee button of your machine, and let the water clean the remaining powder;
- With the coffee pod, you can prepare only one Espresso at a time!

6. PREPARING CAPPUCCINO

“Cappuccino” is the name given by the Italians to the mixture of Espresso and milk foam. This foam is obtained by using the cappuccino nozzle. Then the foam and a little bit of milk are blended with the coffee.

Note: use larger cups than those used for espresso.

Preparing the appliance:

- Remove the water tank by pulling it outward and fill it with cold water (water tank can also be filled by raising the cover lid);
- Insert plug into a wall outlet;
- Click the Power icon ON;
- Click the Steam icon ON;
- Slowly open steam control. A little portion of water will flow from the nozzle. Wait until steam starts to come out from the nozzle and close steam control.

Making Steam:

- Place the frothing jug half filled with low fat milk under the cappuccino nozzle, so that its tip is just under the surface of the milk;
- Turn the knob to the steam icon;
- Slowly open steam control to release steam;
- Move pitcher in circular motion keeping the tip of frother just under surface of milk as it begins to froth. The air intake holes on side of frother should not be immersed in the milk. Do not let milk come to a boil, since it will not froth;
- When you have made enough froth, close steam control and remove the pitcher;
- Press on the coffee function to assure you refill the boiler;
- Spoon the froth onto the Espresso in each cup and gently pour the hot milk along the side of the cup. Top each cup of cappuccino with a dash of cinnamon, cocoa, nutmeg or chocolate shavings.
- Milk residues, when dry, can damage the cappuccino nozzle. You must clean it after each use. To do it, remove it and rinse it well.

7. MAKING TEA

And you can make tea as well:

- Remove the water tank by pulling it outward and fill it with cold water (water tank can also be filled by raising the cover lid);
- Insert the plug into a wall outlet;
- Turn the machine on;
- Place the cup with the tea bag inside under the cappuccino nozzle;
- Open the steam control and turn the coffee function ON. Water immediately drops from the cappuccino nozzle;
- When you reach the desired quantity of water, turn off the coffee function and close the steam control.

8. CLEANING AND MAINTENANCE

- Clean the cappuccino nozzle each time after you have immersed it in milk, otherwise the inside of the nozzle and air intake holes become clogged and milk deposits on the outside harden and become difficult to remove. To clean, hold wet cloth very close to tip of nozzle and open steam control. Let steam escape into the cloth for one or two seconds to clear out nozzle. Wipe outside of nozzle; Clean by soaking in hot water, then replace. If necessary, use a needle to clean air intake holes on side of steam wand;
- No Briel parts should be placed in the dishwasher. This will cause distortion and may result in the parts not functioning properly or safely;
- From time to time, remove lower section of steam wand by holding upper part and unscrewing lower part. Clean carefully and reassemble;
- Clean porta-filter and coffee filters with water after each use;
- Remove drip tray and grid and wash with warm water. Use sponge to clean out drip area;
- Ground coffee will adhere to the seal inside of the brew head. Keep it clean;
- When the machine is not in use for a long period, drain stale water from machine by turning the coffee function ON. However, do this only after you have filled reservoir with fresh water. Never operate pump unless there is water in the machine;
- Wash Cremaker filters and the porta-filter regularly;
- The water tank and the drip tray can be removed for an easier cleaning;
- The cappuccino nozzle can be removed from the steam wand for cleaning.

Descaling:

It is advisable to descale the appliance every 4-6 months, depending on the hardness of the water and the frequency of use.

- Fill in the water tank with a 50% water, 50% vinegar solution;
- Place a recipient under the brew head without porta-filter;
- Turn ON the coffee function and let most of the solution flow to a recipient;
- Turn OFF the coffee function, put the recipient under the Cappuccino nozzle and open the steam control;
- When the water tank is nearly empty, close the steam control;
- To remove traces of the descaling solution, fill the water tank with fresh water and turn ON the coffee function. Let flow the equivalent to 2 and a half water tanks, and turn the coffee function OFF;
- Open the steam control, and turn the coffee function ON, and let the remaining water inside the tank flow.

Pay close attention to the water level, as you must never operate the machine without water in the tank!

This operation may be hazardous if other substances are used instead of approved descaling materials recommended for household coffee makers.

Product failure due to scale accumulation is not covered by the warranty.

No other servicing should be attempted by the user.

**Environment protection first!**

Your appliance contains valuable material which can be recovered or recycled. Leave it at a collection point.

9. BRIEL TECHNOLOGY

The Aquastop System

The Aquastop system has 3 functions:

- Eliminates most of the annoying dripping;
- Has a water-return tube which allows the heated water to flow back into the water reservoir instead of dripping;
- Security valve.

It starts working, when:

- The machine is used for the first time;
- The machine does not work for a long period of time;
- During the usage, the water tank becomes empty.

The Cremaker filter:

A filter that assures a velvety cream in all Espressos!

10. GUARANTEE

BRAMP Metais e Polímeros de Braga, Lda, guarantees your appliance for 2 YEARS* parts and labour from the data of purchase, according to the following conditions:

- This guarantee is limited to the replacement of inefficient parts or assembly malfunctions BRIEL's authorized service centers;
- This guarantee is valid exclusively in the country where the appliance was bought;
- To take advantage of this guarantee, present proof of purchase.

This guarantee excludes damage resulting from:

- All appliances not being used according to the manufacturer's instructions;
- The connection of the appliance to a power supply with a voltage different to that shown on the rating plate;
- Exterior influences, such as atmospheric discharges, floodings, etc.;
- A fall or impact (breakage of plastic or glass);
- Incorrect handling not in compliance with the instructions for use;
- Parts with natural consuming such as, filter-holder, sealing joint, coffee filters;
- Insufficient aftercare, excessive limescale;
- The use of abrasive detergents unsuitable for plastic items;
- Damaged parts;
- Coffee machines in which labels with the serial number and/or production date have been removed or damaged;
- Use for commercial purposes (including small offices).

Customer Service:

At BRIEL's authorized customer services.

***The warranty period is valid only for the European Community. For more information contact BRIEL's local dealer or the place of purchase.**

11. TROUBLESHOOTING

Problems	Possible causes	Solution
<ul style="list-style-type: none"> The coffee has little or unpleasant taste 	<ul style="list-style-type: none"> The ground coffee may be stale or too acid Your tap water may be of bad quality or contain chloride 	<ul style="list-style-type: none"> Try another brand Always use fresh coffee Use filtered water or bottled water
<ul style="list-style-type: none"> There is little or no creamy top The cream is too light Coffee flows too rapidly 	<ul style="list-style-type: none"> Coffee may be stale Very coarse grind Coffee dose with less than 7grs Not enough pressure tamping Cremaker filter not well adjusted 	<ul style="list-style-type: none"> Always use fresh ground coffee Try a finer grind for espresso adjust the grinder level to a finer grind Increase the amount of coffee - use the measuring spoon (1 spoon=1 cup) Tamp the coffee with a bit more pressure Clean and tighten the screw of the filter Replace the filter
<ul style="list-style-type: none"> Water flows instead of coffee 	<ul style="list-style-type: none"> The pod is not correctly placed The filter is not adequate for pods 	<ul style="list-style-type: none"> Center the pod in the filter Use the Cremaker filter for one dose (for pods, or 1 cup ground coffee)
<ul style="list-style-type: none"> Coffee flows over the sides of the porta-filter 	<ul style="list-style-type: none"> Too much coffee in the filter, more than 7 grs Tamping with far too much pressure Pod incorrectly placed Porta-filter is not correctly placed in the machine There's coffee remaining in the brew-head Cremaker filter or porta-filter are obstructed 	<ul style="list-style-type: none"> Reduce the amount of coffee Use measuring spoon (1 spoon for each cup) Gently tamp the coffee Center the pod in the filter Tighten the porta-filter Clean the brew-head Clean and unscrew the screw of the Cremaker filter Replace the filter* Clean the porta-filter Replace the porta-filter**
<ul style="list-style-type: none"> Water drops from the steam nozzle 	<ul style="list-style-type: none"> Steam control is open Steam control is worn 	<ul style="list-style-type: none"> Close steam control Replace steam control*
<ul style="list-style-type: none"> There's coffee powder left in the bottom of the cup 	<ul style="list-style-type: none"> Far too thin coffee grind There's coffee remaining in the porta-filter Cremaker filter is damaged holes are too large Cremaker filter holes are too large 	<ul style="list-style-type: none"> Try another coffee brand for espresso Adjust the grinder level to a coarser grind Clean the porta-filter with water Clean and tighten the screw of the filter Replace the filter*
<ul style="list-style-type: none"> Coffee tastes like burned 	<ul style="list-style-type: none"> Coffee grind is too thin There is too much coffee in the filter (more than 7grs) Coffee grounds were tamped too hard Water temperature may be too high 	<ul style="list-style-type: none"> Try another coffee brand for espresso Adjust the grinder level to a coarser grind Use a smaller amount of coffee use the measuring spoon (1 spoon=1 coffee) Gently tamp the coffee Proceed as if you were about to prepare a coffee using no coffee Verify/replace the thermostat*

<ul style="list-style-type: none"> • Cups are not filled equally • One cup fills faster than the other 	<ul style="list-style-type: none"> • Ground coffee has not been evenly spread in the filter • Porta-filter is not clean or is obstructed 	<ul style="list-style-type: none"> • Gently tamp the coffee • Verify/clean the porta-filter • Replace the filter holder*
<ul style="list-style-type: none"> • Espresso flows too slowly or not at all 	<ul style="list-style-type: none"> • Too much coffee in the filter, more than 7 grs • Very fine grind • There is coffee remaining in the brew-head • There is limestone in the machine • There is no water flow and the pump is abnormally noisy • Insufficient pressure 	<ul style="list-style-type: none"> • Reduce the amount of coffee • Use measuring spoon (1 spoon for each cup) • Try another coffee brand for espresso • Adjust the grinder level to a coarser grind • Clean the brew-head • Descale the machine as described in the instruction manual • Check if the water tank is filled and correctly placed • Verify pressure replace pump*
<ul style="list-style-type: none"> • Frothing the milk is difficult or impossible 	<ul style="list-style-type: none"> • The nozzle is obstructed • Inadequate recipient • Inadequate milk • Water flows before steam • No steam • Boiler does not heat when steam button is pressed 	<ul style="list-style-type: none"> • Clean the steam nozzle • Use a tall container, preferably stainless steel • Use cold whole milk • This is a normal procedure allow water to flow and place the recipient only as steam starts • Press the steam button (when applicable) until the temperature lamp lights up • Verify/replace thermostat* • Verify/replace resistance*
<ul style="list-style-type: none"> • Pod or filter are gripped to the machine 	<ul style="list-style-type: none"> • There was no 15sec wait before removing filter-holder 	<ul style="list-style-type: none"> • Wait for 15sec before removing the porta-filter when removing the porta-filter, make some lateral pressure to let the filter or pod fall
<ul style="list-style-type: none"> • The machine is not working at all 	<ul style="list-style-type: none"> • Incomplete connections • Machine ran out of water and safety system has been triggered 	<ul style="list-style-type: none"> • Check the connections • Wait 30min before using the machine again

***This must be made in an authorized service facility only.**

ÍNDICE

1. Introdução
2. Recomendações Importantes
3. Instruções sobre cabo de alimentação
4. Antes da Primeira Utilização
5. O Café Espresso
6. O Cappuccino
7. O Chá
8. Limpeza e Manutenção
9. Tecnologia BRIEL
10. Garantia
11. O Que Fazer Se...

1. INTRODUÇÃO

Estimado cliente, parabéns pela compra que realizou!

A BRIEL deseja que a sua máquina de café espresso satisfaça na perfeição o objetivo para o qual foi criada. Por esta razão, criámos este livro de instruções e recomendações, para que o ajude a descobrir...O VERDADEIRO ESPRESSO! Agora pode saboreá-lo na tranquilidade da sua casa, sozinho ou com amigos. Este é o convite que a BRIEL lhe faz.

Um bom espresso caracteriza-se pelo agradável creme espresso na superfície, deve ser servido em chávenas pequenas e pouco cheias e, muito importante, deve ser tomado logo após ter saído da máquina.

Contrariamente ao que muitas pessoas pensarão, o café expresso tem, relativamente a outros tipos café, um menor teor de cafeína. Este facto deve-se ao próprio processo através do qual é feito. Sob a pressão de uma bomba, a água quente passa rapidamente através do café moído, escorrendo, logo de seguida, para a chávena. É assim o espresso – uma maneira diferente de tirar o maior prazer do café, inventada na Europa no início do século passado e que a BRIEL leva até à sua casa.

2. RECOMENDAÇÕES IMPORTANTES

Este aparelho pode ser utilizado por crianças com idade igual ou superior a 8 anos, desde que estejam sob supervisão ou tenham recebido instruções sobre a utilização do aparelho de forma segura e se compreenderem os perigos envolvidos. A limpeza e a manutenção do aparelho não devem ser feitas por crianças, a menos que tenham mais de 8 anos e sejam supervisionadas. Mantenha o aparelho e o cabo fora do alcance de crianças com menos de 8 anos.

Os aparelhos podem ser utilizados por pessoas com capacidades físicas, sensoriais ou mentais reduzidas ou com falta de experiência e conhecimento, desde que estejam sob supervisão ou tenham recebido instruções sobre a utilização do aparelho de forma segura e compreendam os perigos envolvidos. As crianças não devem brincar com o aparelho.

O aparelho não deve ser utilizado por pessoas (incluindo crianças) com capacidades físicas, sensoriais ou mentais reduzidas, ou com falta de experiência e conhecimento, a menos que tenham recebido supervisão ou instruções. Crianças devem ser supervisionadas para não brincarem com o aparelho.

No momento da utilização de um aparelho elétrico, é necessário ter em consideração algumas recomendações de segurança importantes, entre as quais:

- Ler atentamente o manual de instruções antes da primeira utilização;
- A máquina deve ser ligada a uma tomada de alimentação com ligação terra;
- Antes de utilizar a máquina, verifique sempre se esta tem água no depósito. O nível de água nunca deve ficar abaixo da janela transparente do depósito de água;
- Nunca mergulhe a máquina em água;
- Desligue a máquina da tomada antes de proceder à sua limpeza;
- Necessária supervisão de um adulto quando utilizada por ou próximo de uma criança;
- A máquina deve ser limpa com um pano húmido;
- Se o cabo de alimentação deste aparelho se encontrar danificado, a sua substituição só deverá ser realizada num agente autorizado pelo fabricante, uma vez que são necessárias ferramentas e componentes próprios para o efeito;
- A bomba de água da sua máquina está protegida contra quaisquer danos causados por aquecimento excessivo, já que é automaticamente desligada sempre que esteja em funcionamento demasiado tempo. Caso isso aconteça, desligue a máquina e deixe-a arrefecer durante cerca de 30 minutos. Ao fim deste tempo, a máquina está novamente pronta a ser utilizada.;
- Nunca retirar a ponteira do cappuccino com a função vapor ligada;
- Este aparelho é para utilização doméstica;

GUARDE AS INSTRUÇÕES

Dados Técnicos:

Consulte a placa de características colocada na parte posterior ou inferior da sua máquina de café.

O nível de pressão acústica contínuo equivalente ponderado a que o utilizador deste aparelho está sujeito quando se encontra em funcionamento normal é inferior a 70 dB (A).

3. INSTRUÇÕES SOBRE CABO DE ALIMENTAÇÃO

- A. Um cabo de alimentação curto é fornecido para reduzir os riscos resultantes de ficar preso ou tropeçar em um cabo mais longo;
 - B. Cabos de extensão mais longos podem ser usados se houver cuidado em seu uso;
 - C. Se for usado um cabo de extensão, a classificação elétrica marcada do cabo de extensão deve ser pelo menos tão grande quanto a classificação elétrica do aparelho. Se o aparelho for do tipo aterrado, o cabo de extensão deve ser um cabo de 3 fios do tipo aterrado, e o cabo mais longo deve ser disposto de forma que não fique pendurado sobre a bancada ou mesa onde possa ser puxado por crianças ou tropeçar;
 - D. Seu produto está equipado com um plugue de linha de corrente alternada polarizado (um plugue com uma lâmina mais larga que a outra). Este plugue só se encaixa na tomada de uma maneira. Este é um recurso de segurança. Se você não conseguir inserir o plugue totalmente na tomada, tente inverter o plugue. Se o plugue ainda não encaixar, entre em contato com seu eletricitista para substituir a tomada obsoleta. Não anule o propósito de segurança do plugue polarizado;
- Nota: O parágrafo D aplica-se apenas aos EUA e ao Canadá.

4. ANTES DA PRIMEIRA UTILIZAÇÃO

Todas as máquinas de café BRIEL são testadas durante o processo de fabrico, portanto não estranhe se encontrar gotas de água na máquina ou embalagem. Este facto deve-se à impossibilidade de retirar toda a água do grupo de aquecimento do seu aparelho após testagem.

Desta forma, antes de utilizar o aparelho pela primeira vez, ou no caso de não o utilizar durante um longo período de tempo, é essencial proceder à limpeza do circuito de água. Para tal, encha o depósito de água da máquina, ligue o aparelho e proceda como descrito na secção “O Café Espresso”, mas sem utilizar café. Esta operação deve ser repetida até o depósito ficar a meio da sua capacidade máxima.

Todos os acessórios (porta-filtros, colher doseadora, filtros, depósito, aparadora, grelha) devem ser lavados com água tépida e detergente.

Em alguns casos, a bomba de água pode deixar de funcionar momentaneamente. Neste caso, coloque uma chávena por baixo do tubo de vapor com ponteira para cappuccino, abra o manípulo de vapor e acione a função café, o que fará sair água pelo tubo de vapor. Assim que a chávena esteja cheia, desligue a função café e feche o manípulo de vapor. A máquina está agora pronta.

A sua máquina de café expresso não deve ser colocada em funcionamento sem água no respetivo depósito!

5. O CAFÉ ESPRESSO

Preparação:

- Remova o depósito de água, puxando-o para fora e encha-o com água fria;
- Introduza a ficha de alimentação na tomada;
- Ligue a máquina;

Com café moído:

- Coloque uma medida de colher por cada café a ser preparado!
- Escolha o filtro Cremaker a usar (para 1 café ou para 2 cafés);
- Encha o filtro escolhido com café moído, usando para este efeito a colher doseadora. Coloque uma medida de café rasa por cada chávena de espresso que deseja preparar. Calque suavemente o café com o calçador na base da colher doseadora. Insira o porta-filtros na saída de água, rodando-o para a direita.
- Coloque 1 ou 2 chávenas de café expresso, consoante o número de cafés a preparar, por baixo do distribuidor do porta-filtros

Com pastilhas monodose (E.S.E):

- Com pastilha ESE, apenas poderá preparar um café expresso de cada vez!
- Coloque a pastilha no filtro de 1 café, insira o porta-filtros na cabeça de extração, rodando-o para a direita;
- Coloque uma chávena de café expresso por baixo do distribuidor do porta-filtros.

Preparar café:

- Certifique-se de que o manípulo de vapor está fechado;
- Assim que a máquina esteja à temperatura ideal, a luz da lâmpada acenderá;
- Após ter completado os passos anteriores, a sua máquina está agora pronta para preparar café;
- Pressione o interruptor para a posição café. Após alguns instantes, o café expresso começará a fluir através do distribuidor do porta-filtros para a(s) chávena(s);
- Quanto maior for a quantidade de café na chávena, mais suave será. Idealmente, o café expresso deve ter creme no topo;
- Para parar o fluxo de água, desligue a função café.

Remoção do porta-filtros:

- Após preparar o café, espere cerca de 10 a 15 segundos antes de retirar o porta-filtros.
- Para preparar mais espressos ou simplesmente remover o porta-filtros, rode-o para a esquerda. A remoção do porta-filtros deve ser feita com cuidado pois, por cima do café moído ou pastilha, estará água muito quente;
- Despeje o conteúdo do filtro;
- Passe o porta-filtros e filtro por água corrente.

Para mais cafés expresso, repita os passos acima.

Notas:

- Se acabou de preparar um espresso com café moído e quer preparar um com pastilha, acione antes a função café da sua máquina e deixe fluir alguma água de modo a limpar a cabeça de extração (isto eliminará resíduos de café que tenham permanecido);
- Com uma pastilha, poderá apenas preparar um café expresso de cada vez!

6. O CAPPUCCINO

Cappuccino é o nome italiano dado à mistura do café expresso com leite e a espuma deste. Pode agora preparar um delicioso cappuccino com a sua máquina BRIEL. A espuma pode ser obtida utilizando o tubo de vapor – deve preparar primeiro o café expresso e só depois a espuma de leite.

Utilize chávenas maiores (150-200ml) para a mesma quantidade de café.

Preparação da máquina de café:

- Remova o depósito de água e encha-o com água fria;
- Introduza a ficha de alimentação na tomada;
- Ligue a máquina no botão ON/OFF – a luz piloto de funcionamento acenderá;
- Lentamente, rode o manípulo de vapor – uma pequena quantidade de água sairá pelo tubo de vapor com ponteira de cappuccino. Aguarde até que comece a sair vapor e rode no sentido inverso o manípulo vapor.

Produção de vapor:

- Encha uma leiteira (até metade) com leite frio;
- Insira o tubo de vapor com ponteira cappuccino na leiteira de modo a que o furo lateral da ponteira fique completamente mergulhado no leite;
- Carregue no botão vapor e aguarde, carregando, até que a luz de temperatura volte a acender;
- Abra lentamente o manípulo de vapor de forma a libertar vapor, o qual vai fazer o leite borbulhar;
- Mova a leiteira em círculos, mantendo a ponta da ponteira de cappuccino imersa no leite. Os furos laterais da ponteira de cappuccino não devem ser imersos no leite. Não deixe o leite ferver pois, desta forma, não se formará espuma;
- Quando se tiver formado espuma suficiente, feche o manípulo do vapor e remova a leiteira;
- Carregue no botão café, para recolocar água na caldeira;
- Verta o leite com espuma para a chávena de cappuccino onde se encontra o espresso.

Os resíduos de leite, quando secos, podem prejudicar o funcionamento da ponteira para cappuccino – após cada utilização, o tubo de vapor deve ser limpo, por forma a evitá-lo.

7. O CHÁ

A sua máquina de café expresso também permite preparar chá!

Preparação da máquina de café:

- Remova o depósito de água e encha-o com água fria;
- Introduza a ficha de alimentação na tomada;
- Ligue a máquina no botão ON/OFF – a luz piloto de funcionamento acenderá;
- Quando a lâmpada acender, a máquina está pronta para fazer chá – coloque a chávena com saco do chá por baixo do tubo de vapor;
- Abra o manípulo de vapor e acione a função café – imediatamente, começará a sair água pelo tubo de vapor;
- Quando atingir a quantidade de chá desejada, desligue a função ligada anteriormente e feche o manípulo de vapor.

8. LIMPEZA E MANUTENÇÃO

- Lave em água corrente, após cada utilização, os filtros e porta-filtros utilizados - nenhuma parte da máquina deve ser colocada na máquina de lavar, já que poderá causar danos nas peças e, conseqüentemente, fazer com que não funcione correctamente ou de uma forma segura;
 - O depósito de água, a aparadora e a grelha podem ser removidos para uma limpeza mais fácil;
 - Limpe regularmente a cabeça de extração, de forma a evitar a incrustação de café. Para tal, introduza o porta-filtros, sem café, na máquina e acione a função café (fazendo sair água);
 - A ponteira para cappuccino deve ser limpa sempre que tenha sido imersa em leite, caso contrário o interior e furos podem ficar tapados pelo leite seco (ficando mais difícil de limpar posteriormente). Para limpar, envolva com um pano húmido e abra o vapor. Deixe o vapor escapar para o pano durante 1 ou 2 segundos para desimpedir de qualquer resíduo. Limpe por fora. A ponteira pode ser retirada do tubo para limpeza - limpe-a com cuidado e volte a colocá-la.
 - Quando a máquina não estiver em uso durante um longo período, drene a água estagnada, ligando a função café ON. No entanto, faça apenas esta operação após encher o depósito com água fresca. Nunca utilize a máquina sem água no depósito.
- Descalcificação:*
- O calcário existente na água pode incrustar-se no interior da máquina, pelo que é aconselhável, pelo menos uma vez por ano, proceder à sua descalcificação (a frequência dependerá da dureza da água e da frequência com que usa a máquina).
 - Encha o depósito de água até meio com uma solução de 50% água e 50% vinagre;
 - Coloque um recipiente sob a cabeça de extração (sem porta-filtros);

- Acione a função café ON até esgotar a solução de água e vinagre;
- Desligue OFF a função café;
- Para remover o calcário do tubo de vapor, volte a encher o depósito de água com a solução de água e vinagre e abra o manípulo de vapor, colocando previamente um recipiente sob a saída do tubo de vapor);
- Assim que o depósito esteja quase vazio, desligue a função vapor;
- Para remover os resíduos de vinagre da máquina e do tubo, utilize um depósito de água completo, mas com água limpa.
- Deve repetir este procedimento enchendo 2 vezes o depósito de água. Verifique sempre o nível de água no depósito, já que a máquina não deve funcionar nunca sem água no depósito;
- Para esta operação, poderá utilizar produtos descalcificadores em vez de vinagre. Se o fizer, siga as instruções do fabricante.
- As avarias causadas por acumulação de calcário não são cobertas pela garantia.



Proteção do ambiente em primeiro lugar!

Este produto contém materiais que podem ser recuperados ou reciclados.

9. TECNOLOGIA BRIEL

O Sistema Aquastop:

- elimina o ar na tubagem;
- retira a pressão da caldeira evitando o goteio;
- atua como válvula de segurança.

Entra em funcionamento sempre que:

- a máquina é utilizada pela primeira vez;
- a máquina esteja muito tempo sem ser utilizada;
- o depósito de água fique vazio durante a utilização.

Nota: sempre que está em funcionamento, o Aquastop faz retorno da água para o depósito, provocando o aparecimento de algumas partículas de vapor no mesmo.

Filtro Cremaker:

- O filtro que garante um denso creme em todos os seus cafés!

10. GARANTIA

A BRAMP Metais e Polímeros de Braga, Lda garante este aparelho por um período de 2 Anos* que entrará em vigor a partir do ato de compra, de acordo com as seguintes condições:

- Esta garantia limita-se exclusivamente à substituição de peças ineficazes por defeito de fabrico e prestada nos postos de assistência técnica autorizados;
- Esta garantia é válida unicamente no país onde adquirido o equipamento;
- Para usufruir da garantia, é imprescindível a apresentação da prova de compra (talão, fatura, etc.).

Excluem-se desta garantia:

- Todos os aparelhos que não estejam montados ou a serem utilizados de acordo com as instruções do fabricante;
- Aparelhos ligados a redes de alimentação que não garantam uma tensão constante (ver placa características);
- Influências exteriores como, por exemplo, descargas atmosféricas, inundações, humidade, etc.;
- Todos os aparelhos que sofram intervenções por técnicos estranhos aos nossos serviços ou serviços recomendados;
- Peças com desgaste natural, tais como: porta-filtros, junta de vedação do porta-filtros e filtros;
- Peças danificadas;
- Avarias originadas por queda;
- Aparelhos sujeitos a uma incorreta utilização, falta de limpeza, excessiva acumulação de calcário (é aconselhada a utilização de água engarrafada ou com baixo teor de calcário);
- Máquinas cujas etiquetas com número de série e/ou data de fabrico rasuradas ou removidas;
- Este aparelho foi concebido única e exclusivamente para utilização doméstica – todas as utilizações de âmbito profissional estão excluídas da garantia;

Assistência Técnica: Apenas nos postos de Assistência Técnica autorizados.

(*) O período de Garantia mencionado é válido apenas para países da União Europeia. As condições de Garantia podem variar consoante o país. Para mais informações, contacte o representante local da marca ou o local de compra.

11. O QUE FAZER SE...

Problemas	Causas Possíveis	Solução
<ul style="list-style-type: none"> O café tem pouco sabor ou um gosto estranho 	<ul style="list-style-type: none"> O café moído pode ser demasiado ácido ou estar fora de prazo Água de má qualidade/com demasiado cloro 	<ul style="list-style-type: none"> Tentar outro café ou marca Usar sempre café fresco ou acabado de moer Usar água filtrada ou água engarrafada
<ul style="list-style-type: none"> O café tem pouco ou nenhum creme Creme claro ou fino Café flui rapidamente demais 	<ul style="list-style-type: none"> Café pode não ser fresco Moagem muito grossa Dose de café com menos de 7grs Pouca pressão no calcamento do café Filtro Cremaker mal ajustado 	<ul style="list-style-type: none"> Usar sempre café fresco ou acabado de moer Tentar outra moagem de café fina para expresso, ajustar o moinho para moagem mais fina Aumentar a quantidade de café – usar a colher doseadora (1 colher=1 chávena) Exercer um pouco mais de pressão com calcador Limpar e apertar o parafuso do filtro Cremaker Substituir o filtro *
<ul style="list-style-type: none"> Em vez de café, flui água 	<ul style="list-style-type: none"> A pastilha não está bem colocada Filtro não é o adequado para pastilhas 	<ul style="list-style-type: none"> Centrar bem a pastilha no filtro Use o filtro Cremaker filter para 1 dose (para pastilhas ou 1 chávena de café moído)
<ul style="list-style-type: none"> Café escorre por fora do porta-filtros 	<ul style="list-style-type: none"> Demasiado café no filtro, mais de 7 grs Demasiada pressão no calcamento do café Pastilha mal colocada Porta-filtros não está apertado corretamente Cabeça de extração da caldeira com resíduos de café Filtro Cremaker ou porta-filtros obstruídos 	<ul style="list-style-type: none"> Reduzir a quantidade de café Utilizar colher doseadora (1 colher por cada chávena) Pressionar levemente com o calcador de café Centrar bem a pastilha no filtro Apertar mais o porta-filtros Limpar cabeça de extração Limpar e desapertar o parafuso do filtro Cremaker Substituir o filtro* Verificar e limpar o porta-filtros Substituir porta-filtros*
<ul style="list-style-type: none"> Pinga água pelo tubo de vapor 	<ul style="list-style-type: none"> Torneira de vapor aberta Torneira de vapor com desgaste 	<ul style="list-style-type: none"> Fechar torneira de vapor Substituir torneira de vapor*
<ul style="list-style-type: none"> Vestígios de café moído na chávena 	<ul style="list-style-type: none"> Moagem muito fina Porta-filtros com resíduos de café Filtro Cremaker danificado/orifícios muito abertos 	<ul style="list-style-type: none"> Tente outro café com moagem expresso ajustar o moinho para moagem mais grossa Limpar o porta-filtros com água corrente Limpar e apertar o parafuso do filtro Cremaker Substituir filtro*
<ul style="list-style-type: none"> Café sabe a queimado 	<ul style="list-style-type: none"> Moagem muito fina Demasiado café no filtro (mais de 7grs) Demasiada pressão no calcamento do café Temperatura da água demasiado elevada 	<ul style="list-style-type: none"> Tente outro café com moagem expresso Ajustar o moinho para moagem mais grossa Reduzir a quantidade de café Utilizar colher doseadora (1 colher por cada chávena) Pressionar levemente com o calcador de café Proceda como se fosse preparar um novo café, sem colocar café no filtro Verifique/substitua o termostato *

<ul style="list-style-type: none"> • Uma chávena enche mais rápido que a outra 	<ul style="list-style-type: none"> • Café mal distribuído no filtro • Porta-filtros com resíduos de café ou entupido 	<ul style="list-style-type: none"> • Pressionar levemente com o calcador de café para espalhar o café de forma uniforme • Verificar e limpar porta-filtros • Substituir porta-filtros *
<ul style="list-style-type: none"> • Sai pouco ou nenhum café, ou demora muito tempo a sair 	<ul style="list-style-type: none"> • Demasiado café no filtro, mais de 7 grs • Moagem muito fina • Cabeça de extração da caldeira com resíduos de café • Calcário na máquina • Filtro Cremaker demasiado apertado ou entupido • Pressão insuficiente 	<ul style="list-style-type: none"> • Reduzir a quantidade de café • Utilizar colher doseadora (1 colher por cada chávena) • Tente outro café com moagem espresso • Ajustar o moinho para moagem mais grossa • Limpar a cabeça de extração • Descalcifique a máquina conforme indicado no manual de instruções • Limpar e desapertar o parafuso do Cremaker, substituir o filtro * • Verificar pressão • Substituir bomba*
<ul style="list-style-type: none"> • O café não está suficientemente quente 	<ul style="list-style-type: none"> • Máquina não aqueceu tempo suficiente • Chávenas frias • Baixa temperatura da água à saída da caldeira 	<ul style="list-style-type: none"> • Verificar luz avisadora da temperatura • Colocar o porta-filtros ainda sem café na máquina no momento em que a liga, para aquecer as partes metálicas • Ligar a máquina, deixando correr água pelo porta-filtros, antes de tirar o primeiro café • Pré-aquecer as chávenas através do tubo de vapor • Verificar/substituir termostato* • Verificar/substituir resistência*
<ul style="list-style-type: none"> • Não se consegue fazer espuma de leite 	<ul style="list-style-type: none"> • Tubo de vapor tapado • Recipiente inadequado • Leite inadequado • Sai água antes do vapor • Não sai vapor • A caldeira não aquece quando se pressiona o botão de vapor 	<ul style="list-style-type: none"> • Limpar tubo de vapor • Utilizar um recipiente alto e estreito (p.ex. leiteira) em aço inox • Usar leite frio (abaixo temperatura ambiente) • Este comportamento é normal. Deixe sair toda a água e coloque o recipiente apenas quando começar a sair vapor • Pressionar o botão de vapor (quando aplicável) até que a luz de temperatura acenda. • Verificar/substituir termostato* • Verificar/substituir resistência*
<ul style="list-style-type: none"> • A pastilha ou o filtro ficam presos na máquina 	<ul style="list-style-type: none"> • Não se esperou 15 segundos antes de retirar porta-filtros 	<ul style="list-style-type: none"> • Espere 15 segundos antes de retirar o portafiltros • Ao retirá-lo, exerça uma ligeira pressão lateral para que o filtro e pastilha possam sair
<ul style="list-style-type: none"> • A máquina não funciona 	<ul style="list-style-type: none"> • Ligações incompletas • Faltou água no depósito e o sistema de segurança foi activado 	<ul style="list-style-type: none"> • Verificar as ligações • Espere 30 minutos antes de utilizar novamente a máquina

***Operações a realizar apenas num posto de assistência autorizado.**

ÍNDICE

1. Introducción
2. Recomendaciones Importantes
3. Instrucciones para cables de alimentación
4. Preparación
5. El Espresso
6. El Cappuccino
7. Preparando Té
8. Limpieza y mantenimiento
9. Tecnología BRIEL
10. Garantía
11. Que hacer sí...

1. INTRODUCCIÓN

Estimado cliente, le felicitamos por su compra!

En BRIEL, esperamos que este satisfecho con su compra. Por eso hemos creado este libro de instrucciones y recomendaciones que esperamos le permita descubrir...EL VERDADERO ESPRESSO!

¿Quién no reconoce o aprecia un verdadero café espresso? Ahora ya puede saborearlo en la tranquilidad de su hogar, solo o en un grupo de amigos.

Un buen espresso se caracteriza por su agradable crema espesa en la superficie, de color amarronado, por su aroma único y rico y sabor intenso.

Para ser apreciado en toda su grandeza, el espresso debe ser servido en tazas pequeñas y poco llenas y, muy importante, debe tomarse inmediatamente después de salir de la máquina.

Contrariamente a lo que muchos piensan, el café espresso tiene, comparado con otros tipos de café, un grado menor de cafeína. Esto tiene que ver con el propio proceso de producción. Bajo la presión de una bomba, el agua caliente pasa rápidamente a través del café molido, cayendo inmediatamente en la taza.

Así es el espresso: una manera distinta de sacar el mayor placer del café que BRIEL lleva hasta su casa.

2. RECOMENDACIONES IMPORTANTES

Esta máquina puede ser utilizada por niños a partir de 8 años si han recibido supervisión o instrucciones sobre el uso de la máquina de forma segura y si comprenden los peligros que implica. La limpieza y el mantenimiento de la máquina no podrán ser realizados por niños a menos que sean mayores de 8 años y estén bajo supervisión. Mantenga la máquina y su cable fuera del alcance de niños menores de 8 años.

Las máquinas pueden ser utilizadas por personas con capacidades físicas, sensoriales o mentales reducidas o con falta de experiencia y conocimiento si han recibido supervisión o instrucciones sobre el uso de la máquina de manera segura y comprenden los peligros involucrados. Los niños no deben jugar con la máquina.

La máquina no debe ser utilizada por personas (incluidos niños) con capacidades físicas, sensoriales o mentales reducidas, o con falta de experiencia y conocimiento, a menos que hayan recibido supervisión o instrucción. Se debe supervisar a los niños para que no jueguen con la máquina.

No momento de utilizar un aparato eléctrico, es necesario tener en cuenta algunas recomendaciones de seguridad importantes, entre las siguientes:

Lea atentamente las instrucciones de uso antes de utilizar la máquina por la primera vez;

- Verifique si la tensión indicada en la placa de características, en la parte inferior o posterior del aparato, corresponde a la de la red de su zona/país;
- La máquina deberá ser conectada a un enchufe con conexión a tierra;
- Cuando esté utilizando la máquina, el nivel de agua nunca debe estar por debajo de la ventanilla transparente del depósito del agua;
- Nunca sumergir la máquina en agua;
- Desenchufe la máquina antes de limpiarla;
- Limpiarla con un paño húmedo;
- Si el cable de alimentación de la máquina se encuentra dañado, solo deberá ser cambiado en un taller autorizado por el fabricante, dado que son necesarias herramientas y componentes especiales para ese fin;
- La bomba de su máquina está protegida contra cualquier avería causada por excesivo calentamiento, ya que la bomba se desconecta automáticamente siempre que esté demasiado tiempo en funcionamiento. Si esto ocurriera, desenchufe la máquina y déjela enfriar durante unos 30 minutos. Pasado ese tiempo, la máquina estará otra vez preparada para funcionar;
- No retire nunca la puntera de cappuccino con el mando de vapor abierto.

GUARDE LAS INSTRUCCIONES

Datos Técnicos:

Consultar la placa de características en la parte posterior o inferior de su máquina de café.

El nivel de presión acústica continuo equivalente ponderado al cual el utilizador de este aparato está sujeto cuando este se encuentra en funcionamiento normal, es inferior a 70 dB (A).

3. INSTRUCCIONES PARA CABLES DE ALIMENTACIÓN

- A. Se proporciona un cable de alimentación corto para reducir los riesgos resultantes de enredarse o tropezar con un cable más largo;
- B. Hay disponibles cables de extensión más largos que pueden usarse si se tiene cuidado al usarlos;
- C. Si se utiliza un cable de extensión, la clasificación eléctrica marcada del cable de extensión debe ser al menos tan grande como la clasificación eléctrica del aparato. Si el electrodoméstico es del tipo con conexión a tierra, el cable de extensión debe ser un cable de 3 hilos con conexión a tierra, y el cable más largo debe disponerse de manera que no cuelgue sobre el mostrador o la mesa, donde pueda ser jalado. niños o tropezarse;
- D. Su producto está equipado con un enchufe de línea de corriente alterna polarizado (un enchufe que tiene una clavija más ancha que la otra). Este enchufe encajará en el tomacorriente de una sola manera. Esta es una característica de seguridad. Si no puede insertar el enchufe completamente en el tomacorriente, intente invertirlo. Si el enchufe aún no encaja, comuníquese con su electricista para reemplazar su toma de corriente obsoleta. No anule el propósito de seguridad del enchufe polarizado;
- Nota: El párrafo D solo se aplica a EE. UU. y Canadá.

4. PREPARACIÓN

- Lave en agua y jabón el depósito de agua, los filtros, la rejilla y el porta-filtros. Enseguida, páselos por agua limpia.
- Todas las máquinas de café BRIEL son 100% testadas durante el proceso de fabrico - no se sorprenda si encontrar gotas de agua en la máquina o embalaje. Es imposible retirar toda la agua del interior de la caldera después de testarla. Por eso, saque cerca de medio depósito de agua a través de la máquina, presionando el botón "café", pero sin colocar café molido en el filtro. Es aconsejable repetir esta operación cuando la máquina esté durante bastante tiempo sin ser utilizada.
- Su máquina de café espresso no debe ser colocada en funcionamiento sin agua en su respectivo depósito!

5. EL ESPRESSO

Preparar la máquina:

- Extraer el depósito de agua y llenarlo con agua fresca (podrá llenarlo hasta el borde del depósito);
- Enchufar la máquina a la corriente;
- Conectar la máquina - el piloto de encendido se iluminará;

Con café molido:

- Coloque una cuchara de café por cada taza de café espresso que desee!
- Llene el filtro de café molido con la cuchara dosificadora que viene incluida con la máquina. Procure que el café no rebose. Comprima ligeramente el café con el prensador de café. Inserte el portafiltros en la salida de café de la máquina.
- Coloque 1 o 2 tazas de café en la bandeja debajo de las salidas de café del portafiltros;

Con monodosis (E.S.E):

- Con la monodosis ESE, apenas puede preparar un café de cada vez!
- Coloque un paquete monodosis en el filtro Cremaker para 1 café. Inserte el portafiltros en la cabeza de extracción girando hacia la derecha del frontal de la máquina;
- Coloque una taza de café en la bandeja debajo de las salidas de café del portafiltros.

Preparar café:

- Asegúrese de que el vapor se encuentra apagado;
- Cuando la máquina esté lista, se encenderá el piloto de temperatura;
- Después de seguir los pasos anteriores, su máquina ya está preparada para hacer café;
- Presione el botón de café - en unos segundos, empezará a salir café;
- Cuanta más agua permita salir, más suave será el café. El espresso tendrá una suave capa de crema;
- Para cortar la salida de café, es suficiente presionar de nuevo el botón hacia la posición inicial.

Extraer el porta-filtros:

- Después de hacer café, deje pasar entre 10-15 segundos antes de retirar el portafiltro!
- Para preparar un nuevo espresso o bien extraer el portafiltros, gire el portafiltros hacia la izquierda de su máquina. Cuidado con los restos de agua caliente que se encuentran sobre el café molido o la monodosis usados;
- Retirar el café o monodosis del portafiltro;
- Una vez finalizado el proceso, limpie el portafiltro y filtro bajo el grifo .

Para más cafés espresso, repita los pasos anteriores.

Notas:

- Si desea usar monodosis después de usar café molido, basta colocar el portafiltros en la cabeza de extracción completamente vacío y haga un café para así limpiar los restos de café del portafiltros;
- Con la monodosis, solo es posible preparar un café a la vez!

6. EL CAPPUCINO

Cappuccino es el nombre italiano para la mezcla de café espresso con un poco de leche espumada. Puede ahora preparar un delicioso cappuccino con su máquina BRIEL. La espuma se obtiene utilizando el tubo de vapor. Primero debe preparar el café espresso y después la espuma de leche. Para hacer cappuccino, utilice tazas con mayor capacidad (150-200ml).

Para preparar la máquina:

- Asegúrese de que existe agua suficiente en el depósito ;
- Conecte la máquina, el piloto se encenderá;
- Espere hasta que la luz piloto de temperatura se encienda;
- Abra el mando de vapor, girándolo hacia la izquierda. Al principio saldrá un poco de agua por el tubo. Después, cierre el mando del vapor.

Preparación de vapor:

- Llene la mitad de un recipiente con leche fría;
- Es posible mover el tubo del vapor, girándolo, para colocarlo en una posición más favorable;
- Ponga el recipiente debajo del tubo del vapor, de forma que su punta quede completamente sumergida en la leche (para evitar salpicaduras);
- Abra lentamente el mando del vapor, girándolo. El vapor empezará a salir por el tubo del vapor, haciendo que la leche burbujee;
- Baje el recipiente despacio, dejando tan solo la punta del tubo en contacto con la leche, produciendo una espuma de leche fina y compacta. A través del mando es posible controlar la cantidad de salida de vapor;
- Cierre el mando de vapor cuando se haya obtenido espuma de leche suficiente;
- Ahora ponga la leche y la espuma en el espresso. Puede adicionar cacao o canela.

¡Su cappuccino está listo a saborear!

Si quiere hacer más vapor: cuando la luz piloto indicadora de temperatura OK se encienda, repita los pasos indicados arriba. Pulse el botón café para que la caldera se llene de agua.

IMPORTANTE: si quiere hacer más espresso después del cappuccino, hay que limpiar el tubo del vapor. Debe limpiarlo con agua del grifo hasta que no haya más leche.

7. PREPARAR TÉ

¡También puede preparar un Té con su máquina BRIEL!

Para preparar la máquina:

- Asegúrese de que existe agua suficiente en el depósito ;
- Conecte la máquina, el piloto se encenderá;
- Espere hasta que la luz piloto de temperatura se encienda;
- Ponga la taza con el té debajo del tubo de vapor;
- Cuando la cantidad de té sea suficiente, presione el conmutador para café y cierre el comando del vapor.

8. LIMPIEZA Y MANTENIMIENTO

- Lave los filtros y portafiltros usados en agua corriente después de cada uso; ninguna parte de la máquina debe colocarse en la lavadora, ya que esto podría dañar las partes y, en consecuencia, hacer que no funcione correctamente o de manera segura;
- El tanque de agua, la recortadora y la rejilla se pueden quitar para facilitar la limpieza;
- Limpie periódicamente el cabezal de extracción para evitar la formación de incrustaciones de café. Para ello, introduzca el portafiltro, sin café, en la máquina y active la función café (descarga de agua);
- La boquilla de capuchino debe limpiarse cada vez que se haya sumergido en leche, de lo contrario, el interior y los orificios pueden quedarse cubiertos por leche seca (lo que dificulta la limpieza posterior). Para limpiar, envuélvalo con un paño húmedo y encienda el vapor.
- Deje que el vapor escape sobre el paño durante 1 o 2 segundos para eliminar cualquier residuo. Limpiar afuera. La punta se puede quitar del tubo para limpiarla; límpiela con cuidado y reemplácela.
- Cuando la máquina no esté en uso durante un período prolongado, drene el agua estancada encendiendo la función de café. Sin embargo, solo realice esta operación después de llenar el tanque con agua fresca. Nunca utilice la máquina sin agua en el depósito.

Descalcificación:

- La cal del agua puede acumularse en el interior de la máquina, por lo que es recomendable descalcificarla al menos una vez al año (la frecuencia dependerá de la dureza del agua y de la frecuencia con la que utilice la máquina).
- Llene el tanque de agua hasta la mitad con una solución de 50% de agua y 50% de vinagre;
- Coloque un recipiente debajo del cabezal de extracción (sin portafiltro);
- Activar la función café ON hasta agotar la solución de agua y vinagre;
- Apague la función de café OFF;
- Para eliminar las incrustaciones de la varilla de vapor, vuelva a llenar el tanque de agua con la solución de vinagre y agua y abra la botón de vapor, colocando previamente un recipiente debajo de la salida del tubo de vapor);
- Tan pronto como el tanque esté casi vacío, apague la función de vapor;

- Para eliminar los residuos de vinagre de la máquina y del tubo, utilice un depósito de agua completo, pero con agua limpia.
- Debe repetir este procedimiento, llenando el tanque de agua dos veces. Compruebe siempre el nivel del agua en el depósito, ya que la máquina nunca debe funcionar sin agua en el depósito;
- Para esta operación, puede utilizar productos desincrustantes en lugar de vinagre. Si lo hace, siga las instrucciones del fabricante.
- Los fallos de funcionamiento causados por la acumulación de cal no están cubiertos por la garantía.



¡Participe en la conservación del medio ambiente!

Su electrodoméstico contiene materiales recuperables y/o reciclables. Entréguelo al final de su vida útil en un centro de recogida específico donde será tratado de forma adecuada.

9. TECNOLOGÍA BRIEL

Sistema Aquastop:

- Elimina el aire de la bomba y del circuito de agua;
- Elimina la presión en la caldera evitando el goteo;
- Es una válvula de seguridad.

Entra en funcionamiento cuando:

- utilice la máquina por la primera vez;
- la máquina leva mucho tiempo sin ser utilizada;
- el depósito de agua se quede vacío durante la utilización de la máquina.

Filtro Cremaker:

Es un filtro que asegura una crema espesa en todos los cafés.

10. GARANTIA

BRAMP Metais e Polímeros de Braga, Lda garantiza este producto por un período de 2 Anos* que entrará en vigor a partir de la fecha de venta, de acuerdo a las siguientes condiciones:

- Esta garantía se limita exclusivamente a la sustitución de piezas ineficaces debido a un defecto de fabricación y proporcionadas en estaciones de servicio autorizadas. En el supuesto de que la reparación efectuada no fuera satisfactoria y el aparato no revistiese las condiciones óptimas para el uso al que estuviese destinado, el beneficiario tendrá derecho a la sustitución del mismo por otro de idénticas características o a la devolución del precio pagado en el establecimiento expendedor (previa presentación de la factura de compra);
- Esta garantía es válida solo en el país donde ha adquirido su aparato.

Excepciones de Garantía:

- No quedan cubiertos los daños sufridos por o como consecuencia de: uso indebido, deterioros producidos por efecto de las aguas utilizadas tales como cal o otros aditivos, accidentes, negligencias, etc.;
- La garantía quedará anulada automáticamente en el caso de que el producto haya sido manipulado por entidad o persona ajena al servicio técnico autorizado por la marca;
- La reparación o canje de este producto durante el periodo de garantía la amplía en términos legales de acuerdo con la ley vigente;
- Piezas con desgaste natural, tales como: portafiltros, junta de vedación del portafiltros y filtros;
- Piezas dañadas;
- Averías causadas por caídas;
- Aparatos sujetos a uso incorrecto, falta de limpieza, acumulación excesiva de cal (es recomendable usar agua embotellada o piedra caliza baja);
- Máquinas cuyas etiquetas con número de serie y/o fecha de fabricación hayan sido borradas o retiradas;
- Este aparato está diseñado única y exclusivamente para uso doméstico – todos los usos profesionales están excluidos de la garantía;

Asistencia Técnica: Solo en estaciones de Asistencia Técnica autorizadas.

(*) El período de garantía mencionado anteriormente es válido solo para países de la Unión Europea. Las condiciones de garantía pueden variar según el país. Para obtener más información, póngase en contacto con su representante local de marca o lugar de compra.

11. QUE HACER SI...

Problemas	Causas Possíveis	Solução
<ul style="list-style-type: none"> El café tiene poco sabor o un gusto extraño 	<ul style="list-style-type: none"> El café molido puede ser demasiado ácido o estar pasado de fecha El agua es de mala calidad o con demasiado cloro 	<ul style="list-style-type: none"> Probar otro café Usar siempre un café fresco o acabado de moler Guardar el café en un recipiente cerrado
<ul style="list-style-type: none"> El café tiene poca crema Crema clara o fina El café sale demasiado rápido 	<ul style="list-style-type: none"> Molienda muy gruesa Dosis de café con menos de 7grs Poca presión en el prensado del café Filtro cremaker mal regulado 	<ul style="list-style-type: none"> Probar otro café con grado de molido más fino para espresso Ajustar el molino para moer más fino Aumentar la cantidad de café – usar cuchara dosificadora (1 cuchara=1 café) Presionar más fuerte el café Limpiar y apretar el tornillo del filtro Cremaker Reemplazar filtro *
<ul style="list-style-type: none"> En lugar de café, sale agua 	<ul style="list-style-type: none"> Monodosis mal colocada Filtro inadecuado para el uso de las pastilhas o utilización del filtro erróneo para el uso de pastilhas 	<ul style="list-style-type: none"> Centrar bien la monodosis en el filtro Utilizar filtro Cremaker para 1 dosis (para monodosis o 1 taza de café molido)
<ul style="list-style-type: none"> El café cae por el portafiltros 	<ul style="list-style-type: none"> Demasiado café en el filtro, más de 7 grs Café demasiado prensado Monodosis mal colocada Portafiltros poco apretado en la máquina Cabezal de extracción de caldera con residuos de café Filtro Cremaker o portafiltros tamponado Junta de estanquidad desgastada 	<ul style="list-style-type: none"> Disminuir la cantidad de café Usar cucharra dosificadora (1 cuch. rasa por cada café) Presionar suavemente con el prensador de café Centrar bien la monodosis en el filtro Apretar más el portafiltros Limpiar la solida del agua Limpiar y aflojar el tornillo del filtro Cremaker Sustituir filtro* Verificar y limpiar portafiltros Reemplace la junta de estanquidad
<ul style="list-style-type: none"> Cae agua por el tubo de vapor 	<ul style="list-style-type: none"> Grifo de vapor abierto Grifo de vapor desgastado 	<ul style="list-style-type: none"> Cerrar grifo de vapor Sustituir grifo de vapor*
<ul style="list-style-type: none"> Restos de café molido en la taza 	<ul style="list-style-type: none"> Grado de molido muy fino Portafiltros con resíduos de café Filtro Cremaker dañado orificios muy abiertos 	<ul style="list-style-type: none"> Probar otro café con molienda para espresso Ajustar para una molienda más gruesa Limpiar el portafiltros con agua corriente Limpiar y apretar el tornillo del filtro Cremaker Sustituir filtro*
<ul style="list-style-type: none"> Café sabe a quemado 	<ul style="list-style-type: none"> Molienda muy fina Demasiado café en el filtro, más de 7grs Café demasiado prensado 	<ul style="list-style-type: none"> Probar otro café con molienda para espresso Ajustar el molino para molienda más gruesa Disminuir la cantidad de café Usar la cucharra dosificadora Presionar suavemente con el prensador de café

<ul style="list-style-type: none"> • Café sabe a quemado 	<ul style="list-style-type: none"> • Molienda muy fina • Demasiado café en el filtro, más de 7grs • Café demasiado prensado 	<ul style="list-style-type: none"> • Probar otro café con molienda para espresso • Ajustar el molino para molienda más gruesa • Disminuir la cantidad de café • Usar la cucharra dosificadora • Presionar suavemente con el prensador de café
<ul style="list-style-type: none"> • Una taza se llena antes que la otra 	<ul style="list-style-type: none"> • Café mal distribuido en el filtro • Portafiltros con residuos de café o taponado 	<ul style="list-style-type: none"> • Presionar levemente con el prensador de café para esparcer el café de forma uniforme • Sustituir filtro* • Verificar y limpiar portafiltros
<ul style="list-style-type: none"> • Sale poco o nada de café, o tarda mucho tiempo en salir 	<ul style="list-style-type: none"> • Demasiado café en el filtro, más de 7 g • Molienda muy fina • Cabezal de extracción de caldera con residuos de café • Caliza en la máquina • No sale agua y la bomba hace demasiado ruido • Filtro Cremaker demasiado apretado o obstruido • Presión insuficiente 	<ul style="list-style-type: none"> • Reducir la cantidad de café • Use 1 cucharada por taza • Probar otro café espresso • Ajuste el molino para una molienda más gruesa • Limpiar la salida de agua • Descalcificar de acuerdo con el manual de instrucciones • Verificar si el deposito de agua está lleno y bien colocado • Limpiar y aflojar el tornillo Cremaker, reemplace el filtro * • Compruebe la presión • Reemplace la bomba*
<ul style="list-style-type: none"> • El café no está suficientemente caliente 	<ul style="list-style-type: none"> • Máquina no se calentó tiempo suficiente • Tazas frías • Baja temperatura del agua del grifo 	<ul style="list-style-type: none"> • Compruebe la luz de advertencia de temperatura • Coloque el portafiltros aún sin café en la máquina en el momento en que la conecte, para calentar las partes metálicas • Conecte la máquina, dejando correr agua a través del portafiltros, antes de sacar el primer café • Precalentar las tazas a través del tubo de vapor • Revisar/reemplazar termostato* • Verificar/reemplazar la resistencia*
<ul style="list-style-type: none"> • No consigue hacer espuma en la leche 	<ul style="list-style-type: none"> • Tubería de vapor obstruida • Contenedor inadecuado • Leche inadecuada • Sale agua antes que vapor • No sale vapor • La caldera no se calienta al pulsar el botón de vapor 	<ul style="list-style-type: none"> • Limpiar la tubería de vapor • Use un recipiente alto y estrecho en acero inoxidable • Use leche fría (por debajo de la temperatura ambiente) • Este comportamiento es normal. Deje salir toda el agua y coloque el recipiente solo cuando el vapor comience a salir. • Presione el botón de vapor hasta que se encienda la luz de temperatura. • Verificar/reemplazar termostato* • Verificar/reemplazar la resistencia*
<ul style="list-style-type: none"> • La monodosis se queda enganchada en la máquina 	<ul style="list-style-type: none"> • No se esperó 15 segundos antes de retirar el portafiltros 	<ul style="list-style-type: none"> • Espere 15 segundos antes de retirar el portafiltros • Al retirarlo, haga una ligera presión lateral para que el filtro y monodosis puedan caer
<ul style="list-style-type: none"> • La máquina no funciona 	<ul style="list-style-type: none"> • Conexiones incompletas • Faltó agua en el depósito y el sistema de seguridad se activó 	<ul style="list-style-type: none"> • Verificar las conexiones • Espere 30 minutos antes de volver a utilizar la máquina

***Operaciones a realizar en un puesto de asistencia autorizado.**