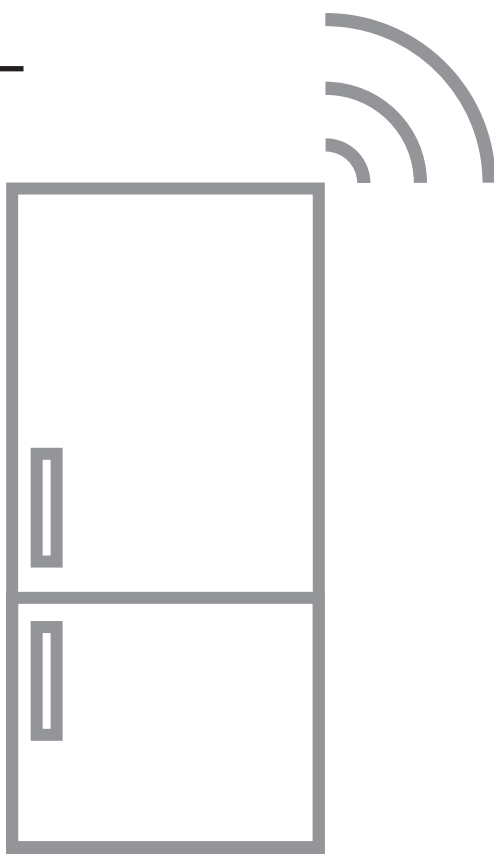
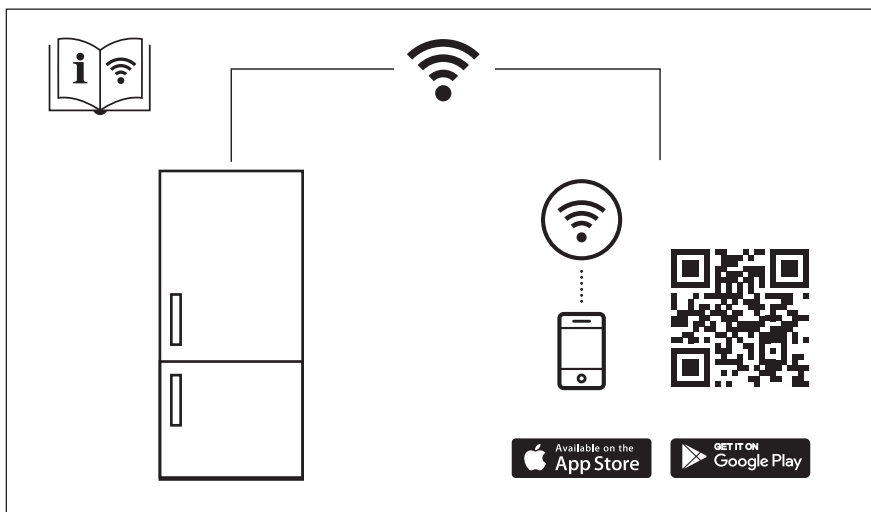


USER MANUAL



CONTENTS

1. SAFETY INFORMATION.....	3
2. SAFETY INSTRUCTIONS.....	5
3. INSTALLATION.....	7
4. CONTROL PANEL.....	10
5. DAILY USE.....	14
6. HINTS AND TIPS.....	21
7. CARE AND CLEANING.....	23
8. TROUBLESHOOTING.....	26
9. NOISES.....	30
10. TECHNICAL DATA.....	30
11. INFORMATION FOR TEST INSTITUTES.....	30
12. ENVIRONMENTAL CONCERNS.....	31



FOR PERFECT RESULTS

Thank you for choosing this AEG product. We have created it to give you impeccable performance for many years, with innovative technologies that help make life simpler – features you might not find on ordinary appliances. Please spend a few minutes reading to get the very best from it.

Visit our website to:



Get usage advice, brochures, trouble shooter, service and repair information:
www.aeg.com/support



Register your product for better service:
www.registeraeg.com



Buy Accessories, Consumables and Original spare parts for your appliance:
www.aeg.com/shop

CUSTOMER CARE AND SERVICE

Always use original spare parts.

When contacting our Authorised Service Centre, ensure that you have the following data available: Model, PNC, Serial Number.

The information can be found on the rating plate.

 Warning / Caution-Safety information

 General information and tips

 Environmental information

Subject to change without notice.

1. SAFETY INFORMATION

Before the installation and use of the appliance, carefully read the supplied instructions. The manufacturer is not responsible for any injuries or damage that are the result of incorrect installation or usage. Always keep the instructions in a safe and accessible location for future reference.

1.1 Children and vulnerable people safety

- This appliance can be used by children aged from 8 years and above and persons with reduced physical, sensory or mental capabilities or lack of experience and knowledge if they have been given supervision or instruction concerning the use of the appliance in a safe way and understand the hazards involved.

- Children aged from 3 to 8 years are allowed to load and unload the appliance provided that they have been properly instructed.
- This appliance may be used by persons with very extensive and complex disabilities provided that they have been properly instructed.
- Children of less than 3 years of age should be kept away from the appliance unless continuously supervised.
- Children should be supervised to ensure that they do not play with the appliance and mobile devices with the dedicated app.
- Children shall not carry out cleaning and user maintenance of the appliance without supervision.
- Keep all packaging away from children and dispose of it appropriately.

1.2 General Safety

- This appliance is for storing food and beverages only.
- This appliance is designed for single household domestic use in an indoor environment.
- This appliance may be used in, offices, hotel guest rooms, bed & breakfast guest rooms, farm guest houses and other similar accommodation where such use does not exceed (average) domestic usage levels.
- To avoid contamination of food respect the following instructions:
 - do not open the door for long periods;
 - clean regularly surfaces that can come in contact with food and accessible drainage systems;
 - store raw meat and fish in suitable containers in the refrigerator, so that it is not in contact with or drip onto other food.
- **WARNING:** Keep ventilation openings, in the appliance enclosure or in the built-in structure, clear of obstruction.

- **WARNING:** Do not use mechanical devices or other means to accelerate the defrosting process, other than those recommended by the manufacturer.
- **WARNING:** Do not damage the refrigerant circuit.
- **WARNING:** Do not use electrical appliances inside the food storage compartments of the appliance, unless they are of the type recommended by the manufacturer.
- Do not use water spray and steam to clean the appliance.
- Clean the appliance with a moist soft cloth. Only use neutral detergents. Do not use abrasive products, abrasive cleaning pads, solvents or metal objects.
- When the appliance is empty for long period, switch it off, defrost, clean, dry and leave the door open to prevent mould from developing within the appliance.
- Do not store explosive substances such as aerosol cans with a flammable propellant in this appliance.
- If the supply cord is damaged, it must be replaced by the manufacturer, its Authorised Service Centre or similarly qualified persons in order to avoid a hazard.

2. SAFETY INSTRUCTIONS

2.1 Installation



WARNING!

Only a qualified person must install this appliance.

- Remove all the packaging.
- Do not install or use a damaged appliance.
- Do not use the appliance before installing it in the built-in structure due to safety manner.
- Follow the installation instructions supplied with the appliance.
- Always take care when moving the appliance as it is heavy. Always use safety gloves and enclosed footwear.
- Make sure the air can circulate around the appliance.
- At first installation or after reversing the door wait at least 4 hours before connecting the appliance to the power supply. This is to allow the oil to flow back in the compressor.
- Before carrying out any operations on the appliance (e.g. reversing the door), remove the plug from the power socket.
- Do not install the appliance close to radiators or cookers, ovens, or hobs, unless otherwise specified in the installation instructions.
- Do not expose the appliance to the rain.
- Do not install the appliance where there is direct sunlight.
- Do not install this appliance in areas that are too humid or too cold.
- When you move the appliance, lift it by the front edge to avoid scratching the floor.
- The appliance contains a bag of desiccant. This is not a toy. This is not

food. Please dispose of it immediately.

2.2 Electrical connection



WARNING!
Risk of fire and electric shock.



WARNING!
When positioning the appliance, ensure the supply cord is not trapped or damaged.



WARNING!
Do not use multi-plug adapters and extension cables.

- The appliance must be earthed.
- Make sure that the parameters on the rating plate are compatible with the electrical ratings of the mains power supply.
- Always use a correctly installed shockproof socket.
- Make sure not to cause damage to the electrical components (e.g. mains plug, mains cable, compressor). Contact the Authorised Service Centre or an electrician to change the electrical components.
- The mains cable must stay below the level of the mains plug.
- Connect the mains plug to the mains socket only at the end of the installation. Make sure that there is access to the mains plug after the installation.
- Do not pull the mains cable to disconnect the appliance. Always pull the mains plug.

2.3 Use



WARNING!
Risk of injury, burns, electric shock or fire.



The appliance contains flammable gas, isobutane (R600a), a natural gas with a high level of environmental compatibility. Be careful not to cause

damage to the refrigerant circuit containing isobutane.

- Do not change the specification of this appliance.
- Any use of the built-in product as free-standing is strictly prohibited.
- Do not put electrical appliances (e.g. ice cream makers) in the appliance unless they are stated applicable by the manufacturer.
- If damage occurs to the refrigerant circuit, make sure that there are no flames and sources of ignition in the room. Ventilate the room.
- Do not let hot items to touch the plastic parts of the appliance.
- Do not put soft drinks in the freezer compartment. This will create pressure on the drink container.
- Do not store flammable gas and liquid in the appliance.
- Do not put flammable products or items that are wet with flammable products in, near or on the appliance.
- Do not touch the compressor or the condenser. They are hot.
- Do not share your Wi-Fi password.
- Do not remove or touch items from the freezer compartment if your hands are wet or damp.
- Do not freeze again food that has been thawed.
- Follow the storage instructions on the packaging of frozen food.
- Wrap the food in any food contact material before putting it in the freezer compartment.
- Do not allow food to come in contact with the inner walls of the appliance compartments.

2.4 Internal lighting



WARNING!
Risk of electric shock.

- This product contains one or more light sources of energy efficiency class F.
- Concerning the lamp(s) inside this product and spare part lamps sold separately: These lamps are intended to withstand extreme physical conditions in household appliances, such as temperature, vibration, humidity, or are intended to signal

information about the operational status of the appliance. They are not intended to be used in other applications and are not suitable for household room illumination.

2.5 Care and cleaning



WARNING!

Risk of injury or damage to the appliance.

- Before maintenance, deactivate the appliance and disconnect the mains plug from the mains socket.
- This appliance contains hydrocarbons in the cooling unit. Only a qualified person must do the maintenance and the recharging of the unit.
- Regularly examine the drain of the appliance and if necessary, clean it. If the drain is blocked, defrosted water collects in the bottom of the appliance.

2.6 Service

- To repair the appliance contact the Authorised Service Centre. Use original spare parts only.
- Please note that self-repair or non-professional repair can have safety consequences and might void the guarantee.
- The following spare parts will be available for 7 years after the model

has been discontinued: thermostats, temperature sensors, printed circuit boards, light sources, door handles, door hinges, trays and baskets. Please note that some of these spare parts are only available to professional repairers, and that not all spare parts are relevant for all models.

- Door gaskets will be available for 10 years after the model has been discontinued.

2.7 Disposal



WARNING!

Risk of injury or suffocation.

- Disconnect the appliance from the mains supply.
- Cut off the mains cable and discard it.
- Remove the door to prevent children and pets to be closed inside of the appliance.
- The refrigerant circuit and the insulation materials of this appliance are ozone-friendly.
- The insulation foam contains flammable gas. Contact your municipal authority for information on how to discard the appliance correctly.
- Do not cause damage to the part of the cooling unit that is near the heat exchanger.

3. INSTALLATION



WARNING!

Refer to Safety chapters.



WARNING!

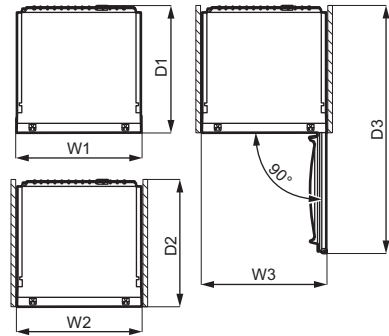
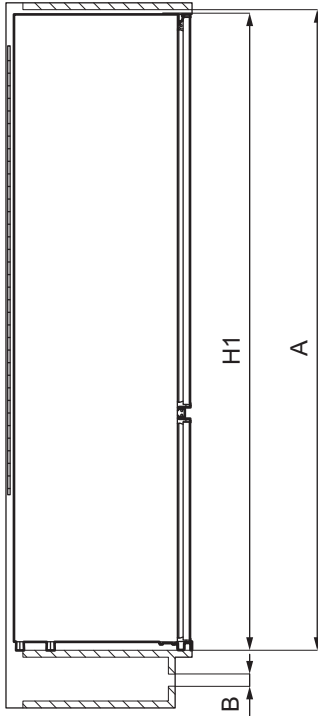
Refer to installation instruction document to install your appliance.



WARNING!

Fix the appliance in accordance with installation instruction document to avoid a risk of instability of the appliance.

3.1 Dimensions



Overall dimensions ¹		
H1	mm	1884
W1	mm	696
D1	mm	549

¹ the height, width and depth of the appliance without the handle

Space required in use ²		
H2 (A+B)	mm	1923
W2	mm	696
D2	mm	561
A	mm	1894
B	mm	29

² the height, width and depth of the appliance including the handle, plus the space necessary for free circulation of the cooling air

Overall space required in use ³		
H3 (A+B)	mm	1923
W3	mm	696
D3	mm	1229

³ the height, width and depth of the appliance including the handle, plus the space necessary for free circulation of the cooling air, plus the space necessary to allow door opening to the minimum angle permitting removal of all internal equipment

3.2 Location

To ensure appliance's best functionality, you should not install the appliance in a place with direct sunlight. Do not install the appliance close to radiators or cookers, ovens, or hobs, unless otherwise specified in the installation instructions.

Make sure that air can circulate freely around the back of the cabinet.

This appliance should be installed in a dry, well ventilated indoor position.

This appliance is intended to be used at ambient temperature ranging from 10°C to 43°C.

i The correct operation of the appliance can only be guaranteed within the specified temperature range.

i If you have any doubts regarding where to install the appliance, please turn to the vendor, to our customer service or to the nearest Authorised Service Centre.

i It must be possible to disconnect the appliance from the mains power supply. The plug must therefore be easily accessible after installation.

3.3 Electrical connection

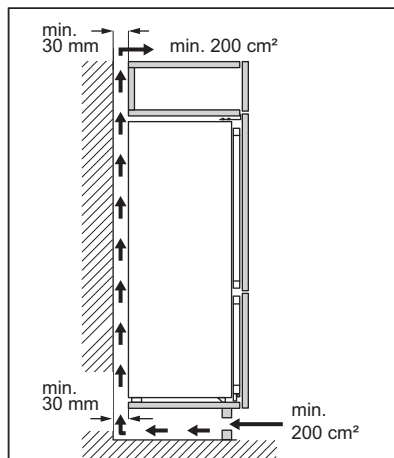
- Before plugging in, ensure that the voltage and frequency shown on the rating plate correspond to your domestic power supply.
- The appliance must be earthed. The power supply cable plug is provided with a contact for this purpose. If the domestic power supply socket is not

earthed, connect the appliance to a separate earth in compliance with current regulations, consulting a qualified electrician.

- The manufacturer declines all responsibility if the above safety precautions are not observed.

3.4 Ventilation requirements

The airflow behind the appliance must be sufficient.



CAUTION!
Refer to the installation instructions for the installation.

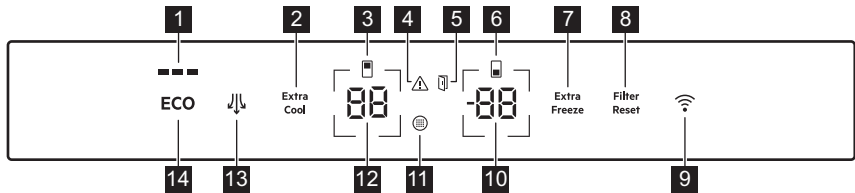
3.5 Door reversibility

Please refer to the separate document with instructions on installation and door reversal.



CAUTION!
At every stage of reversing the door protect the floor from scratching with a durable material.

4. CONTROL PANEL



- 1** ECOMETER indicator
- 2** Extra Cool button / indicator
- 3** Fridge compartment indicator
- 4** Alarm indicator
- 5** Door open alarm indicator
- 6** Freezer compartment indicator
- 7** Extra Freeze button / indicator
- 8** Filter Reset alarm button / indicator
- 9** Connectivity button / indicator
- 10** Freezer temperature button / indicator
- 11** Air filter change indicator
- 12** Fridge temperature button / indicator
- 13** Fan button / indicator
- 14** ECO button

4.1 Switching on

Connect the mains plug to the power socket.

To select a different set temperature, refer to "Temperature regulation".

If **dE** or **or** appears on the display, refer to "Troubleshooting".

4.2 Switching off

1. Press and hold the fridge temperature button and freezer temperature button simultaneously for 5 seconds

The display shows blinking **OF**.

2. Once the appliance is switched off, the display reads **OF**.
3. Disconnect the mains plug from the power socket.

4.3 Temperature regulation

The temperature range may vary between -15°C and -24°C for freezer and between 2°C and 8°C for fridge.

Press the temperature buttons to set the temperature of the appliance.

The recommended set temperature is:

- $+4^{\circ}\text{C}$ for the fridge
- -18°C for the freezer

You may set the recommended temperature manually with temperature buttons or by switching on the ECO function. Refer to "ECO function" for more information

The temperature indicators show the set temperature.

- i** The set temperature will be reached within 24 hours. After a power failure, the appliance goes back to the set temperature.

4.4 Switching off the fridge

It is possible to switch off only the fridge compartment leaving the freezer compartment on.

1. Press and hold the fridge temperature button for 5 seconds.

The display shows blinking **OF**.

2. Once the fridge compartment is switched off, the display reads **OF**.


4.5 Switching on the fridge

To switch on the fridge:

1. Press and hold the fridge temperature button for 5 seconds.

The display shows blinking **Or**.

- The fridge compartment is switched on and the previous set temperature is restored.


 To adjust the temperature, refer to "Temperature regulation".


4.6 ECO function

The ECO function sets the optimal temperature to ensure food preservation while minimizing energy consumption.

- To activate the function press the ECO button.
The fridge temperature is set to +4°C and the freezer temperature to -18°C.
- To deactivate the function, press the ECO button again or select a different set temperature (refer to "Temperature regulation").

After deactivating the ECO function, the fridge temperature is set to +2°C and the freezer temperature to -20°C.

 Activation of the ECO deactivates Extra Cool and Extra Freeze functions.

 The ECOMETER indicator shows the appliance's current energy consumption. Three fully lit bars indicate the most energy-efficient setup.

4.7 Extra Cool function


With the Extra Cool function, you may rapidly cool large amounts of warm food, for example after doing grocery shopping, without warming food already stored in the fridge compartment.

To activate the function, press the Extra Cool button.

The Extra Cool indicator lights up. When the Extra Cool function is on, the fan may work automatically.


This function stops automatically after approximately 6 hours. Once the function is off, the Extra Cool indicator goes out.

Press the Extra Cool button to deactivate the Extra Cool function before it automatically ends.

 To set a different fridge temperature, switch off the Extra Cool function and refer to "Temperature regulation".

4.8 Extra Freeze function

Extra Freeze function is used to pre-freeze and fast freeze in sequence in the freezer compartment. This function accelerates the freezing of fresh food and, at the same time, protects foodstuffs already stored from undesirable warming.

 To freeze fresh food, activate the Extra Freeze function at least 24 hours before placing the food to complete pre-freezing.

To activate this function, press the Extra Freeze button.

The Extra Freeze indicator lights up. The Extra Freeze function stops automatically after a maximum of 52 hours.

Press the Extra Freeze button to deactivate the Extra Freeze function before it automatically ends.


4.9 Fan function

The fridge compartment is equipped with a device that allows rapid cooling of food and ensures high uniformity of temperature in the compartment.

This device activates automatically when needed or manually.

To switch on the function, press the Fan button. The Fan indicator lights up.

To switch off the function, press again the Fan button. The Fan indicator goes out.

 If the function is activated automatically, the Fan indicator will not light up. The activation of the Fan function may increase the noise and energy consumption.

The fan operates only when the door is closed.

4.10 High temperature alarm

When the temperature in the freezer compartment increases (for example due to an earlier power failure), the alarm indicator flashes, the freezer temperature indicator shows H° and blinks and the sound is on.

To deactivate the alarm, press any button.

The alarm indicator and sound go off. The freezer temperature indicator shows H° for 5 seconds before indicating the freezer temperature again.



The alarm restarts one hour after deactivation until the normal conditions are restored.

If you do not press any button, the sound switches off automatically after around one hour to avoid disturbing.

4.11 Door open alarm

If the fridge door is left open for approximately 5 minutes or if the freezer door is left open for approximately 80 seconds, the sound is on and the door open alarm indicator turns on. The internal fridge light may also start flashing.

The alarm stops after closing the door. Press any button to switch off the sound and flashing of the internal fridge light.



If you do not press any button, the sound switches off automatically after around one hour to avoid disturbing.

4.12 Air filter change indicator

When the air filter has expired and requires replacement, the Air filter change indicator and the Filter Reset alarm indicator turn on.

Refer to "Installing and replacing the CleanAir+ filter" section in "Care and cleaning" chapter for the replacement instructions.

After the filter replacement, press the Filter Reset alarm button to turn off the alarm.

4.13 Wi-Fi connectivity setup

This functionality allows you to connect your appliance to Wi-Fi network and to link it to your mobile device. With this functionality you can receive notifications, control and monitor your appliance from your mobile device.

To connect the appliance you need:

- Wireless network with the Internet connection,
- Mobile device connected to your wireless network.

Frequency/Protocol	Wi-Fi: 2.4 GHz / 802.11 bgn
Power	Wi-Fi 2.4 GHz: <20 dBm
Encryption	WPA-PSK, WPA2-PSK, WPA3-Personal

Installing the mobile application

Take the following steps to connect the appliance to Wi-Fi:

1. Make sure that the appliance is plugged into a power socket and turned on.
2. Make sure that your mobile device is connected to the same wireless network you want to add your appliance to.
3. Download the dedicated application on your mobile device from Google Play (Android) or App Store (iOS) and install the application on your mobile device.
4. Open the app and register to create an account.

Configuring the appliance wireless connection

Follow the instructions in the app to complete the onboarding process:

1. Press and hold the Connectivity button on your appliance for 3 seconds until you hear a beep. This will start the Wi-Fi system.

2. After few seconds **Wi-Fi** appears on the display and the Connectivity indicator starts blinking slowly.
3. Continue to follow the instructions in the app to complete the onboarding process.
4. While the process is ongoing, the display may temporarily show **Wi-Fi**. After the successful onboarding, the Connectivity indicator stops flashing and becomes solid. Display shows the set temperatures.

Disabling the appliance wireless connection

You can temporarily disable the Wi-Fi connection by pressing and holding the Connectivity button for 3 seconds. The Connectivity indicator switches off and the appliance beeps once.

Once the Wi-Fi connection is disabled, to automatically re-establish the connection press and hold the Connectivity button for 3 seconds.



After reset, the Connectivity indicator may be off. Wait a few seconds until it turns on.

Resetting the appliance wireless connection

Before you reset the Wi-Fi configuration, make sure that the Connectivity indicator is visible on the display. It means that the function is switched on. If the function is switched off, the attempt to reset the connection will turn the function on.

You can reset the Wi-Fi configuration by pressing and holding the Connectivity button for 10 seconds. The appliance will beep to confirm the successful reset.

To re-establish the connection, repeat all the steps described in section "Disabling the appliance wireless connection" section.

4.14 Setting mode

The Setting mode allows you to:

- Enable or disable the ECOMETER indicator
- Enable or disable the button sounds

- Change the temperature units from °C to °F
- Reset the appliance to factory settings

Activating the Setting mode

To activate the Setting mode:

1. Press and hold the ECO button for approximately 3 seconds. When the Setting mode is being activated, the display shows a blinking **SE EE**.
2. Once the Setting mode is switched on, the display shows **PE On**.

To deactivate the Setting mode, press and hold the ECO button for approximately 3 seconds.

The Setting mode deactivates automatically if you do not interact with the control panel for 60 seconds.

Navigating the Setting mode

1. Activate the Setting mode (refer to "Activating the Setting mode").
The display shows **PE On**.
2. Tap the fridge temperature button (on the left) to change the parameter. Tap the freezer temperature button (on the right) to change the parameter value.

Display	Default parameters
PE On	ECOMETER indicator
ES On	Button sounds
CF °C	Temperature units
FS 03	Factory settings

ECOMETER indicator

In order to switch the ECOMETER on or off:

1. Activate the Setting mode (refer to "Activating the Setting mode").
The display shows **PE On**.
2. Tap **On** repeatedly. The indicator will show respectively **On** for the enabled or **Off** for the disabled ECOMETER indicator.

3. Press and hold the ECO button for approximately 3 seconds to exit the Setting mode.

Button sounds

You can enable or disable the button sounds in the Setting mode. To enable or disable the sounds:

1. Activate the Setting mode (refer to "Activating the Setting mode").
The display shows **PE On**.
2. Tap **PE** repeatedly until you see **tS**.
Tap **On** to switch the sounds either on or off. The indicator will change to **On** for the enabled or **Off** for the disabled sounds.
3. Press and hold the ECO button for approximately 3 seconds to exit the Setting mode.

Temperature units

Using the Setting mode, you can change the temperature unit displayed on the control panel from Celsius to Fahrenheit. To change the temperature unit:

1. Activate the Setting mode (refer to "Activating the Setting mode").
The display shows **PE On**.

2. Tap **PE** repeatedly until you see **CF** and **oC**. Tap the indicator showing the unit to select between **oC** for Celsius and **oF** for Fahrenheit.
3. Press and hold the ECO button for approximately 3 seconds to exit the Setting mode.

Factory settings

This function restores each setting to the factory default settings. To restore the factory default settings:

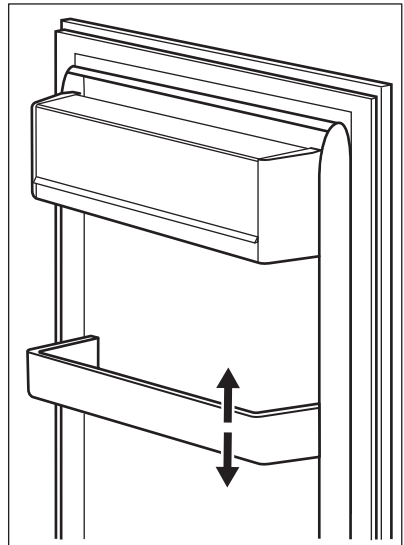
1. Activate the Setting mode (refer to "Activating the Setting mode").
The display shows **PE On**.
2. Tap **PE** repeatedly until you see **FS** and **03**. Tap **03** repeatedly until you see **on**.
on turns into blinking **FS** and then into solid **03**, which indicates that factory settings are restored.
3. Press and hold the ECO button for approximately 3 seconds to exit the Setting mode.

5. DAILY USE

5.1 Positioning the door shelves

To permit storage of food packages of various sizes, the door shelves can be placed at different heights.

1. Gradually pull the shelf up until it comes free.
2. Reposition as required.



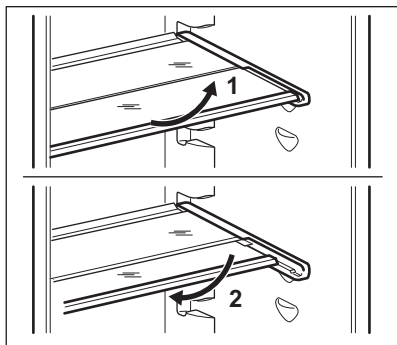
5.2 Movable shelves

The walls of the refrigerator are equipped with a series of runners so that the shelves can be positioned as desired.

This appliance is also equipped with a shelf consisting of two parts. The front half of the shelf can be placed under the second half to make better use of space.

To fold the shelf:

1. Take out the front half gently.
2. Slide it into the lower rail and under the second half.



- i** Do not move the glass shelf above the vegetable drawer to ensure correct air circulation.

5.3 GreenZone drawer

There is a pull-out drawer in the bottom part of the refrigerator compartment.

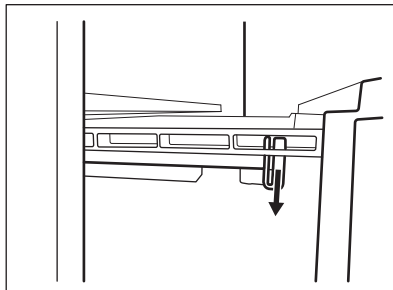
The glass shelf of the GreenZone is fitted with a device that regulates its sealing and provides for optimal humidity inside the drawer.

5.4 Removing GreenZone

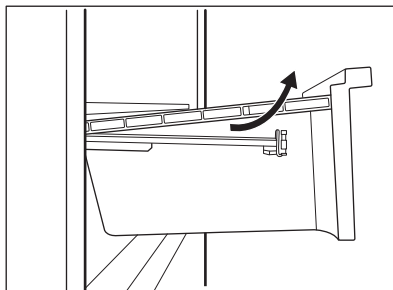
- i** It is recommended to empty the drawer before removing it from the refrigerator.

To remove the drawer:

1. Pull out the drawer from the refrigerator extending the rails fully.
2. Push the rails cap and lift up the front of the drawer.

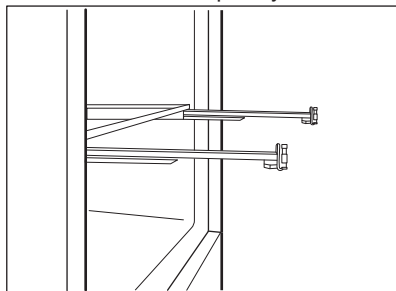


3. Pull the drawer out while lifting it up and detach it from the rails.

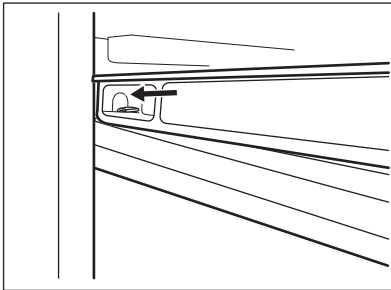
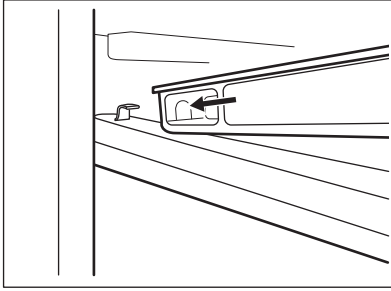


To reassemble:

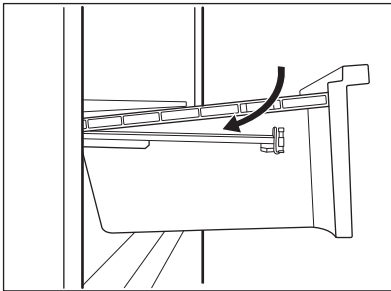
1. Pull out the rails completely.



2. Place the rear part of the drawer on the rails.



3. Keep the front of the drawer lifted up while pushing the drawer in.



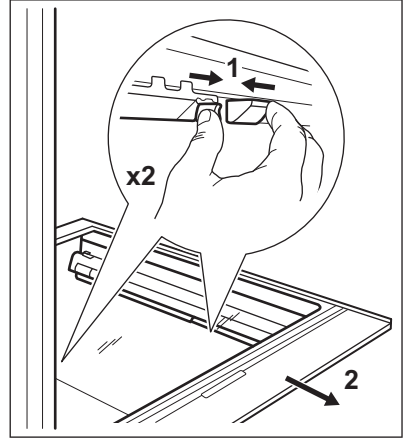
4. Press the front part of the drawer downwards.



Pull out the drawer again and check if it is placed correctly on both rear and front hooks.

To remove the glass cover of the GreenZone drawer:

1. Unlock lateral gripping from both sides simultaneously.

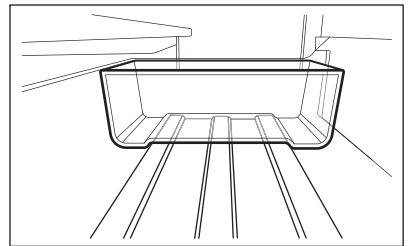


2. Pull the glass shelf support towards yourself.

5.5 ExtraZone drawer

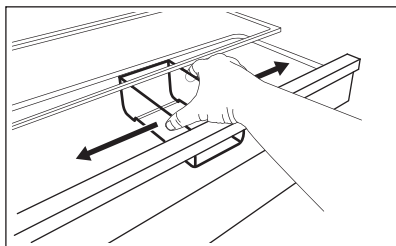
There is a pull-out drawer above the GreenZone drawer.

The ExtraZone drawer is additionally fitted with a small container with a lid.



The ExtraZone drawer has grooves providing recesses for nesting the container. Put the container horizontal to the drawer's grooves to keep it in a stable position.

The container moves sideways and you can use it to divide the drawer if needed.



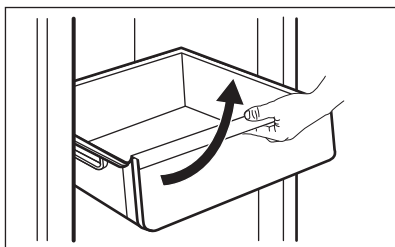
5.6 Removing ExtraZone

There is a pull-out drawer above the GreenZone drawer.

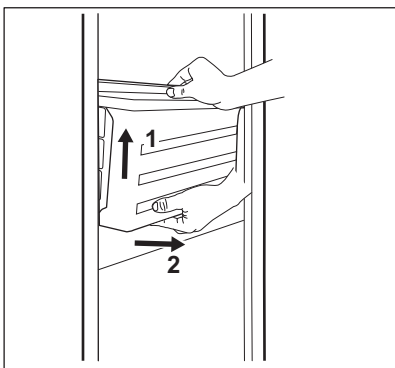
- i** It is recommended to empty the drawer before removing it from the fridge.

To remove the drawer:

1. Pull out the drawer from the fridge extending the rails fully.
2. Push the rails cap and lift up the front of the drawer.



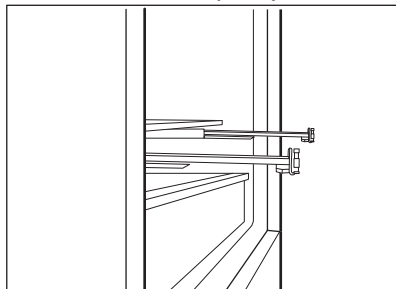
3. Pull the drawer out while lifting it up and detach it from the rails.



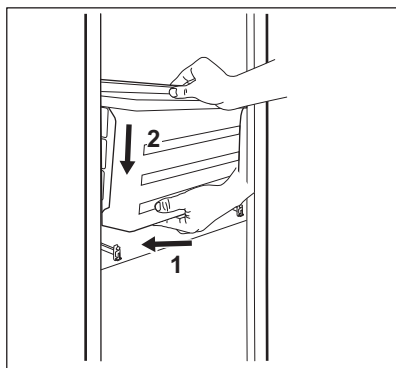
4. Push the rails inside the cabinet to avoid damage to the appliance when closing the door.

To reassemble:

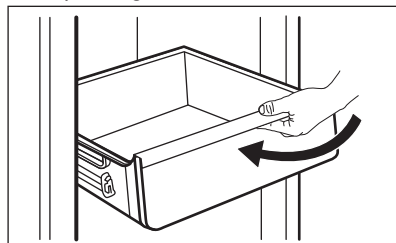
1. Pull out the rails completely.



2. Place the rear part of the drawer on the rails.



3. Keep the front of the drawer lifted up while pushing the drawer in.

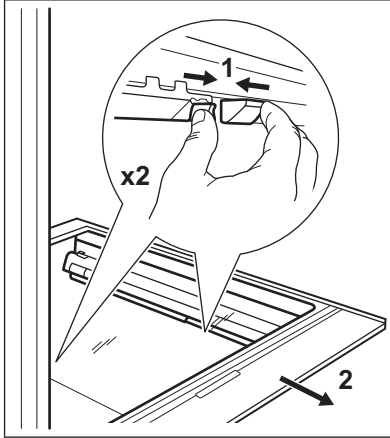


4. Press the front part of the drawer downwards.

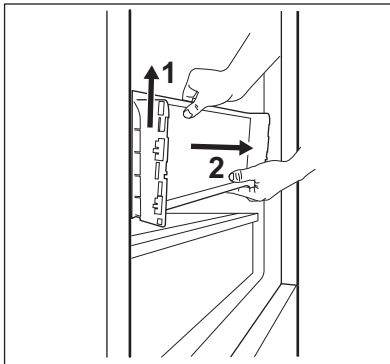
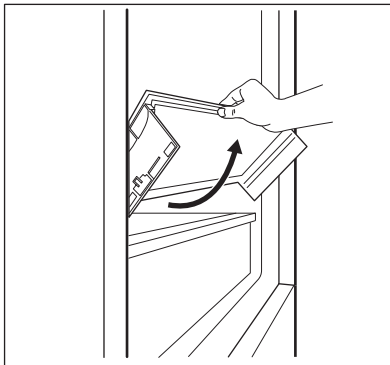
- i** Pull out the drawer again and check if it is placed correctly on both rear and front hooks.

To remove the glass shelf:

1. Unlock lateral gripping from both sides simultaneously.



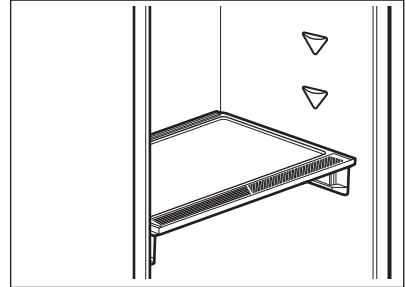
2. Pull the glass shelf support towards yourself.



5.7 Humidity control

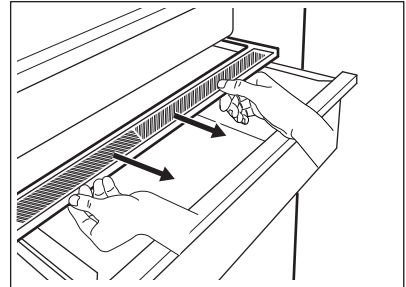
The glass shelf of the GreenZone drawer features a device that regulates its sealing and provides for optimal humidity inside the drawer.

- i** Do not place any food products on the humidity control device.

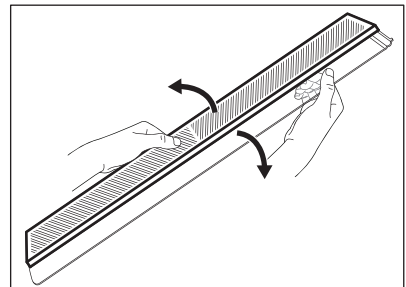


To remove the humidity control device:

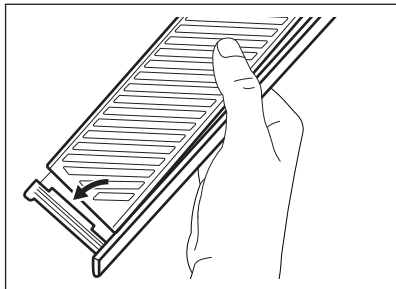
1. Open the drawer below the glass shelf and pull out the cover.



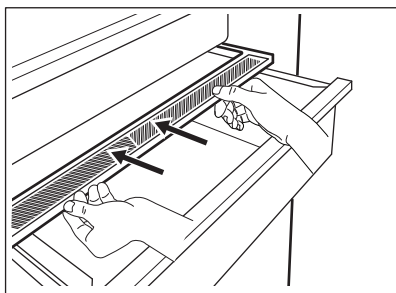
2. If you need to replace the device's white membrane, grab the device in the middle and separate the membrane from the cover by pulling the cover.



3. Assemble a new membrane into the cover by pressing the edge of the membrane into the cover.



4. Reassemble the humidity control back on the drawer.



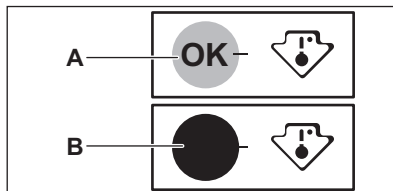
- i** Depending on the quantity and condition of fruit and vegetables stored in the GreenZone drawer, condensation may occur. In such a case, remove the condensation using a soft cloth.

5.8 Temperature indicator

For proper storage of food the refrigerator is equipped with the temperature indicator. The symbol on the side wall of the appliance indicates the coldest area in the refrigerator.

If OK is displayed (A), put fresh food into area indicated by symbol, if not (B), wait at least 12 hours and check if it is OK (A).

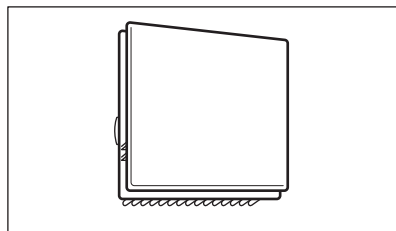
If it is still not OK (B), adjust the setting control to a colder setting.



5.9 Fan

The refrigerator compartment is equipped with a device that allows rapid cooling of foods and keeps a more uniform temperature in the compartment.

This device activates automatically when needed.



It is also possible to switch on the device manually when needed (refer to "Fan function").

- i** The fan operates only when the door is closed.
- i** Do not remove the cover of the fan.

5.10 CleanAir+ filter

In the appliance, there is a CleanAir+ carbon filter.

The filter purifies the air from unwanted odours in the fridge compartment, improving the storage quality.


On delivery, the filter and its plastic housing are in a plastic bag with the other accessories (refer to "Installing and replacing the CleanAir+ filter" section in "Care and cleaning" chapter for the installation).

5.11 Bottle Stop


The accessory prevents bottles or cans from rolling. You may stack the bottles or cans on top of each other to save shelf space and better organize your fridge.

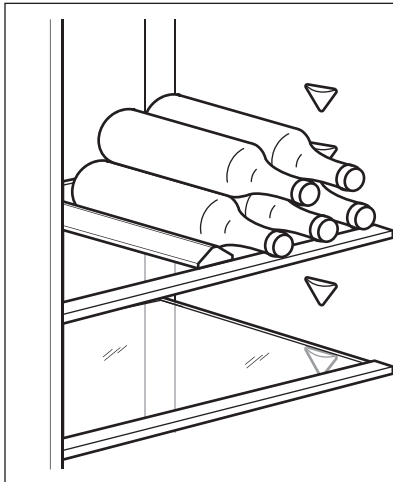
The accessory requires no assembly or tools. Place the accessory with the silicone base facing down and start stacking the bottles.

The silicone base of the accessory is anti-slip: it will not stick or slip.

-  Store a maximum of 10 kg of bottles and/or cans of different sizes in up to two rows, as shown in the picture.

Store only closed bottles or cans, placing them with the opening facing front.

-  Do not put unpacked food in direct contact with the accessory.



5.12 Freezing fresh food

The freezer compartment is suitable for freezing fresh food and storing frozen and deep-frozen food for a long time.

To freeze fresh food activate the Extra Freeze function at least 24 hours before placing the food to be frozen in the freezer compartment.

Store the fresh food evenly distributed in the first compartment or drawer from the top.

The maximum amount of food that can be frozen without adding other fresh food during 24 hours is specified on the rating plate (a label located inside the appliance).

When the freezing process is complete, the appliance automatically returns to the previous temperature setting (see "Extra Freeze function").

For more information refer to "Hints for freezing".

5.13 Storage of frozen food

When activating an appliance for the first time or after a period out of use, before putting the products in the compartment let the appliance run at least 3 hours with the Extra Freeze function switched on.

The freezer drawers ensure that it is quick and easy to find the food package you want.

Keep the food no closer than 15 mm from the door.



CAUTION!

In the event of accidental defrosting, for example due to a power failure, if the power has been off for longer than the value shown on rating plate under "rising time", the defrosted food must be consumed quickly or cooked immediately then cooled and then re-frozen. Refer to "High temperature alarm".

5.14 Thawing

Deep-frozen or frozen food, prior to being consumed, can be thawed in the refrigerator or inside a plastic bag under cold water.

This operation depends on the time available and on the type of food. Small pieces may even be cooked still frozen.

5.15 Ice-cube production

This appliance is equipped with one or more trays for the production of ice-cubes.



Do not use metallic instruments to remove the trays from the freezer.

1. Fill these trays with water.
2. Put the ice trays in the freezer compartment.

6. HINTS AND TIPS

6.1 Hints for energy saving


- Freezer: The internal configuration of the appliance is the one that ensures the most efficient use of energy.
- Fridge: Most efficient use of energy is ensured in the configuration with the drawers in the bottom part of the appliance and shelves evenly distributed. Position of the door bins does not affect energy consumption.
- Do not open the door frequently or leave it open longer than necessary.
- Freezer: The colder the temperature setting, the higher the energy consumption.
- Fridge: Do not set too high temperature to save energy unless it is required by the characteristics of the food.
- If the ambient temperature is high and the temperature control is set to low temperature and the appliance is fully loaded, the compressor may run continuously, causing frost or ice formation on the evaporator. In this case, set the temperature control toward higher temperature to allow automatic defrosting and to save energy this way.
- Ensure a good ventilation. Do not cover the ventilation grilles or holes.
- Make sure that food products inside the appliance allow air circulation through dedicated holes in the rear interior of the appliance.

6.2 Hints for freezing

- Activate Extra Freeze function at least 24 hours before placing the food inside the freezer compartment.

- Before freezing wrap and seal fresh food in: aluminium foil, plastic film or bags, airtight containers with lid.
- For more efficient freezing and thawing divide food into small portions.
- It is recommended to put labels and dates on all your frozen food. This will help to identify foods and to know when they should be used before their deterioration.
- The food should be fresh when being frozen to preserve good quality. Especially fruits and vegetables should be frozen after the harvest to preserve all of their nutrients.
- Do not freeze bottles or cans with liquids, in particular drinks containing carbon dioxide - they may explode during freezing.
- Do not put hot food in the freezer compartment. Cool it down at room temperature before placing it inside the compartment.
- To avoid increase in temperature of already frozen food, do not place fresh unfrozen food directly next to it. Place food at room temperature in the part of the freezer compartment where there is no frozen food.
- Do not eat ice cubes, water ices or ice lollies immediately after taking them out of the freezer. Risk of frostbites.
- Do not re-freeze defrosted food. If the food has defrosted, cook it, cool it down and then freeze it.

6.3 Hints for storage of frozen food

- Freezer compartment is the one marked with .
- Good temperature setting that ensures preservation of frozen food

products is a temperature less than or equal to -18°C .

Higher temperature setting inside the appliance may lead to shorter shelf life.

- The whole freezer compartment is suitable for storage of frozen food products.
- Leave enough space around the food to allow air to circulate freely.
- For adequate storage refer to food packaging label to see the shelf life of food.
- It is important to wrap the food in such a way that prevents water, humidity or condensation from getting inside.
- Ensure that the packaging is not damaged - the food could be deteriorated. If the package is swollen or wet, it might have not been stored in the optimal conditions and defrosting may have already started.
- To limit the defrosting process buy frozen goods at the end of your grocery shopping and transport them in a thermal and insulated cool bag.
- Place the frozen foods immediately in the freezer after coming back from the shop.
- If food has defrosted even partially, do not re-freeze it. Consume it as soon as possible.
- Respect the expiry date and the storage information on the package.

6.4 Shopping tips

After grocery shopping:


6.5 Shelf life for freezer compartment

Type of food	Shelf life (months)
Bread	3
Fruits (except citrus)	6 - 12
Vegetables	8 - 10
Leftovers without meat	1 - 2
Dairy food:	
Butter	6 - 9
Soft cheese (e.g. mozzarella)	3 - 4
Hard cheese (e.g. parmesan, cheddar)	6
Seafood:	
Fatty fish (e.g. salmon, mackerel)	2 - 3
Lean fish (e.g. cod, flounder)	4 - 6
Shrimps	12
Shucked clams and mussels	3 - 4
Cooked fish	1 - 2
Meat:	
Poultry	9 - 12
Beef	6 - 12
Pork	4 - 6
Lamb	6 - 9
Sausage	1 - 2
Ham	1 - 2
Leftovers with meat	2 - 3

6.6 Hints for fresh food refrigeration

- Good temperature setting that ensures preservation of fresh food is a temperature less than or equal to +4°C.
Higher temperature setting inside the appliance may lead to shorter shelf life of food.
- Cover the food with packaging to preserve its freshness and aroma.
- Always use closed containers for liquids and for food, to avoid flavours or odours in the compartment.
- To avoid the cross-contamination between cooked and raw food, cover the cooked food and separate it from the raw one.
- It is recommended to defrost the food inside the fridge.
- Do not insert hot food inside the appliance. Make sure it has cooled down at room temperature before inserting it.
- To prevent food waste the new stock of food should always be placed behind the old one.
- Meat (all types): wrap in a suitable packaging and place it on the glass shelf above the vegetable drawer. Store meat for at most 1-2 days.
- Fruit and vegetables: clean thoroughly (eliminate the soil) and place in a special drawer (vegetable drawer).
- It is advisable not to keep the exotic fruits like bananas, mangos, papayas etc. in the refrigerator.
- Vegetables like tomatoes, potatoes, onions, and garlic should not be kept in the refrigerator.
- Butter and cheese: place in an airtight container or wrap in an aluminium foil or a polythene bag to exclude as much air as possible.
- Bottles: close them with a cap and place them on the door bottle shelf, or (if available) on the bottle rack.
- In order to accelerate cooling down of the goods, it is advisable to turn on the fan. The activation of Fan allows greater homogenization of internal temperatures.
- Always refer to the expiry date of the products to know how long to keep them.

6.7 Hints for food refrigeration

- Fresh food compartment is the one marked (on the rating plate) with .

7. CARE AND CLEANING



WARNING!

Refer to Safety chapters.

7.1 Cleaning the interior

Before using the appliance for the first time, the interior and all internal accessories should be washed with lukewarm water and some neutral soap to remove the typical smell of a brand-new product, then dried thoroughly.



CAUTION!

Do not use detergents, abrasive powders, chlorine or oil-based cleaners as they will damage the finish.



CAUTION!

The accessories and parts of the appliance are not suitable for washing in a dishwasher.



CAUTION!

Clean the control panel with a moist cloth. Do not use any detergents. After cleaning, wipe the control panel dry with a soft cloth.

7.2 Periodic cleaning

The equipment has to be cleaned regularly:

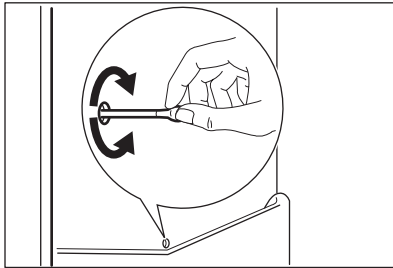
1. Clean the inside and accessories with lukewarm water and some neutral soap.
2. Regularly check the door seals and wipe them clean to ensure they are clean and free from debris.
3. Rinse and dry thoroughly.

7.3 Defrosting of the refrigerator

Frost is automatically eliminated from the evaporator of the refrigerator compartment during normal use. The defrost water drains out through a trough into a special container at the back of the appliance, over the motor compressor, where it evaporates.

It is important to periodically clean the defrost water drain hole in the middle of the refrigerator compartment channel to prevent the water overflowing and dripping onto the food inside.

For this purpose use the tube cleaner provided with the appliance.



7.4 Defrosting of the freezer

The freezer compartment is frost free. This means that there is no build up of frost when it is in operation, neither on the internal walls, nor on the foods.

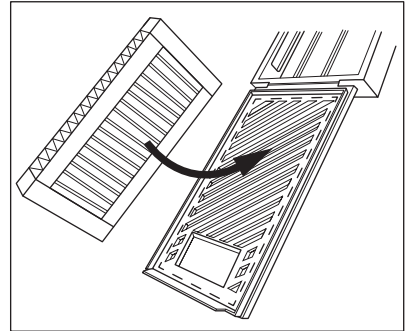
7.5 Installing and replacing the CleanAir+ filter

The CleanAir+ filter is an activated carbon filter that absorbs bad odours and allows you to preserve the best flavour and aroma for all foodstuffs without risk of odour cross-contamination.

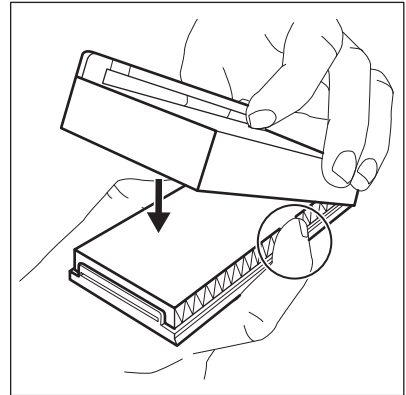
- i** Handle the air filter carefully to avoid scratching its surface. On delivery, the air filter is in a plastic bag to preserve performance.

Install the air filter before activating the appliance.

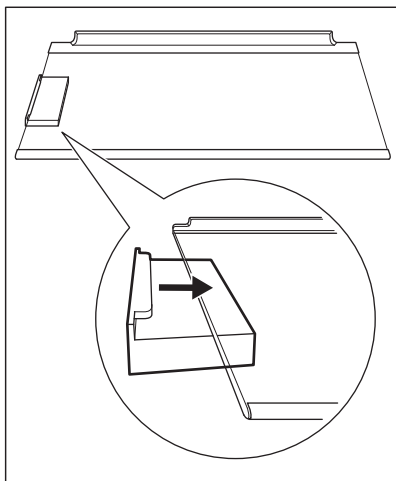
1. Unpack the air filter from the plastic bag.
2. Open the plastic housing and put the pleated surface on the grid, fitting the filter inside the marked area on the gridded surface.



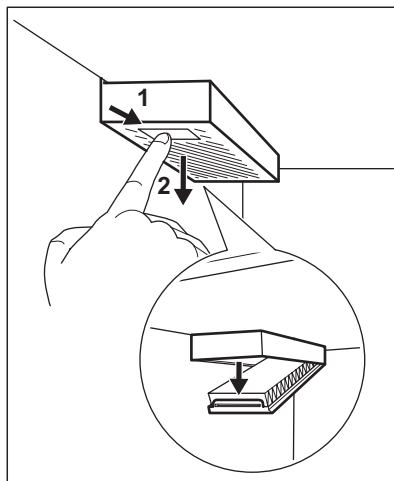
3. Hold the filter down while closing the plastic housing until you hear a click.



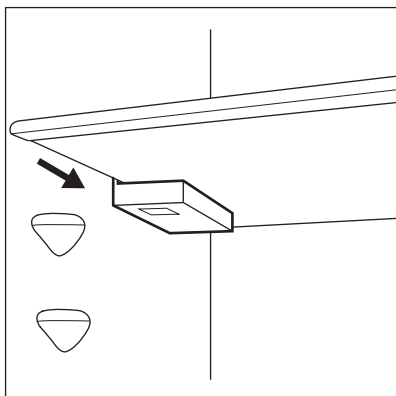
4. Remove the top glass shelf from the fridge compartment. Slip the plastic housing with the air filter on the left side of the glass shelf.



5. Insert the glass shelf back in the fridge compartment. Be careful not to hit the filter when inserting the glass shelf.

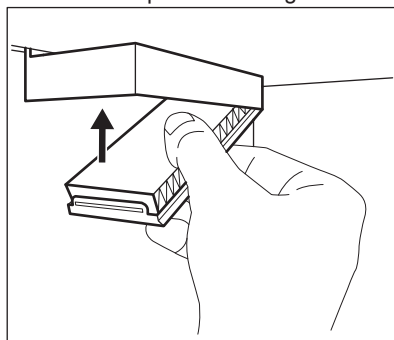


2. Pull out the used air filter.
3. Unpack the new air filter from the plastic bag and insert it in the drawer.
4. Close the plastic housing.



Replacing the air filter

1. Open the plastic housing.



5. After the filter replacement, press the Filter Reset alarm button on the control panel to turn off the alert.

For best performance, place the plastic housing in the proper location (to the left of the glass shelf) and replace the air filter every 6 months. For more information refer to "Air filter change indicator".



The air filter is a consumable accessory and as such is not covered by the guarantee. You can purchase new air filters from your local dealer.

7.6 Period of non-operation

When the appliance is not in use for long period, take the following precautions:

1. Disconnect the appliance from electricity supply.
2. Remove all food.
3. Clean the appliance and all accessories.
4. Leave the doors open to prevent unpleasant smells.

8. TROUBLESHOOTING



WARNING!
Refer to Safety chapters.

8.1 What to do if...

Problem	Possible cause	Solution
The appliance does not operate.	The appliance is switched off.	Switch on the appliance.
	The mains plug is not connected to the mains socket correctly.	Connect the mains plug to the mains socket correctly.
	There is no voltage in the mains socket.	Connect a different electrical appliance to the mains socket. Contact a qualified electrician.
The appliance is noisy.	The appliance is not supported properly.	Check if the appliance stands stable.
Acoustic or visual alarm is on.	The cabinet has been recently switched on.	Refer to "High temperature alarm" or "Door open alarm".
	The temperature in the appliance is too high.	Refer to "High temperature alarm" or "Door open alarm".
	The door is left open.	Close the door.
The compressor operates continually.	Temperature is set incorrectly.	Refer to "Control panel" chapter.
	Many food products were put in at the same time.	Wait a few hours and then check the temperature again.
	The room temperature is too high.	Refer to "Installation" chapter.
	Food products placed in the appliance were too warm.	Allow food products to cool to room temperature before storing.
	The door is not closed correctly.	Refer to "Closing the door" section.

Problem	Possible cause	Solution
	The Extra Freeze function is switched on.	Refer to "Extra Freeze function" section.
	The Extra Cool function is switched on.	Refer to "Extra Cool function" section.
The compressor does not start immediately after pressing the "Extra Freeze" or "Extra Cool", or after changing the temperature.	The compressor starts after a period of time.	This is normal, no error has occurred.
Door is misaligned or interferes with ventilation grill.	The appliance is not levelled.	Refer to installation instructions.
Door does not open easily.	You attempted to re-open the door immediately after closing.	Wait a few seconds between closing and re-opening of the door.
The lamp does not work.	The lamp is in stand-by mode.	Close and open the door.
	The lamp is defective.	Contact the nearest Authorized Service Centre.
There is too much frost and ice.	The door is not closed correctly.	Refer to "Closing the door" section.
	The gasket is deformed or dirty.	Refer to "Closing the door" section.
	Food products are not wrapped properly.	Wrap the food products better.
	Temperature is set incorrectly.	Refer to "Control panel" chapter.
	Appliance is fully loaded and is set to the lowest temperature.	Set a higher temperature. Refer to "Control panel" chapter.
	Temperature set in the appliance is too low and the ambient temperature is too high.	Set a higher temperature. Refer to "Control panel" chapter.
Water flows on the rear plate of the refrigerator.	During the automatic defrosting process, frost melts on the rear plate.	This is correct.
There is too much condensed water on the rear wall of the refrigerator.	Door was opened too frequently.	Open the door only when necessary.

Problem	Possible cause	Solution
	Door was not closed completely.	Make sure the door is closed completely.
	Stored food was not wrapped.	Wrap food in suitable packaging before storing it in the appliance.
Water flows inside the refrigerator.	Food products prevent the water from flowing into the water collector.	Make sure that food products do not touch the rear plate.
	The water outlet is clogged.	Clean the water outlet.
Water flows on the floor.	The melting water outlet is not connected to the evaporative tray above the compressor.	Attach the melting water outlet to the evaporative tray.
Temperature cannot be set.	The Extra Freeze function or Extra Cool function is switched on.	Switch off Extra Freeze function or Extra Cool function manually, or wait until the function deactivates automatically to set the temperature. Refer to "Extra Freeze function" or "Extra Cool function" section.
The temperature in the appliance is too low/too high.	The temperature is not set correctly.	Set a higher/lower temperature.
	The door is not closed correctly.	Refer to "Closing the door" section.
	The food products' temperature is too high.	Let the food products temperature decrease to room temperature before storage.
	Many food products are stored at the same time.	Store less food products at the same time.
	The door has been opened often.	Open the door only if necessary.
	The Extra Freeze function is switched on.	Refer to "Extra Freeze function" section.
	The Extra Cool function is switched on.	Refer to "Extra Cool function" section.
	There is no cold air circulation in the appliance.	Make sure that there is cold air circulation in the appliance. Refer to "Hints and tips" chapter.

Problem	Possible cause	Solution
The dE on appears on the display.	The appliance is in the demonstration mode.	To exit the demonstration mode, press and hold the Extra Cool and ECO buttons for approximately 10 seconds until you hear 3 short beeps.
The Er CE symbol appears and the alarm indicator is on.	Communication problem.	Contact the nearest Authorised Service Centre. The cooling system will continue to keep food products cold, but temperature adjustment will not be possible.
The Er E1 or Er E3 or Er E5 symbol and the current setting appear alternately every 5 seconds and the alarm indicator is on.	Temperature sensor problem.	Contact the nearest Authorised Service Centre. The cooling system will continue to keep food products cold, but temperature adjustment will not be possible.
Connectivity indicator is blinking red or white for a long time.	Connectivity issues.	Make sure your internet connection is working properly. If the connection is not restored, try to switch off and on the wireless connection both on the appliance and the Wi-Fi access point. If the problem persists, perform a full reset of the appliance Wi-Fi connection and the re-installation procedure for the product. If the problem persists, contact the nearest Authorised Service Centre.



If the advice does not lead to the desired result, call the nearest Authorized Service Centre.

8.2 Replacing the lamp

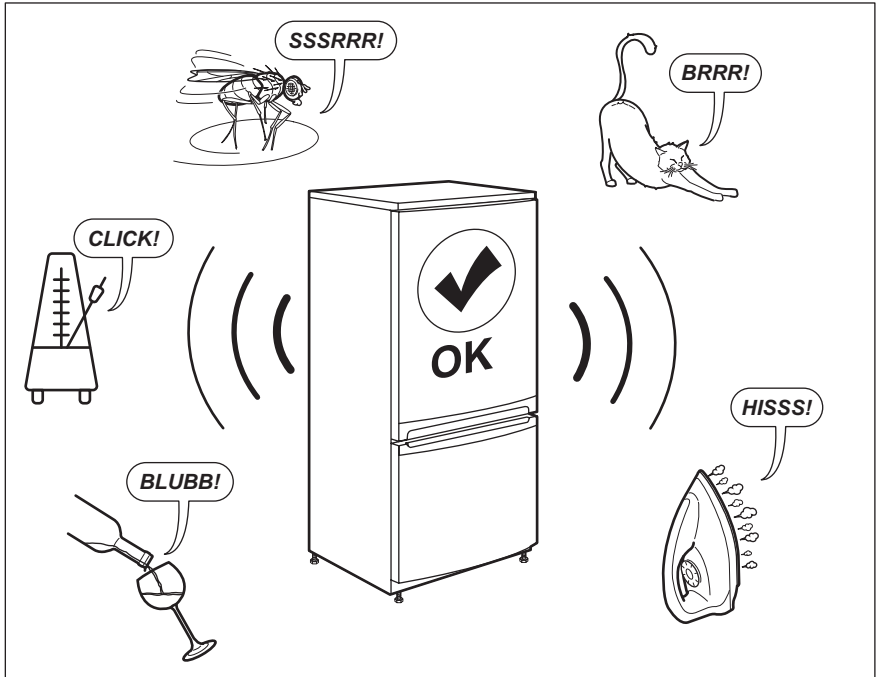
The appliance is equipped with a longlife LED interior light.

Only service is allowed to replace the lighting device. Contact your Authorised Service Centre.

8.3 Closing the door

1. Clean the door gaskets.
2. If necessary, adjust the door. Refer to installation instructions.
3. If necessary, replace the defective door gaskets. Contact the Authorised Service Centre.

9. NOISES



10. TECHNICAL DATA

The technical information is situated in the rating plate on the internal side of the appliance and on the energy label.

The QR code on the energy label supplied with the appliance provides a web link to the information related to the performance of the appliance in the EU EPREL database. Keep the energy label for reference together with the user manual and all other documents provided with this appliance.

It is also possible to find the same information in EPREL using the link <https://eprel.ec.europa.eu> and the model name and product number that you find on the rating plate of the appliance.


See the link www.theenergylabel.eu for detailed information about the energy label.


11. INFORMATION FOR TEST INSTITUTES

Installation and preparation of the appliance for any EcoDesign verification shall be compliant with EN 62552 (EU). Ventilation requirements, recess dimensions and minimum rear

clearances shall be as stated in this User Manual in "Installation". Please contact the manufacturer for any other further information, including loading plans.

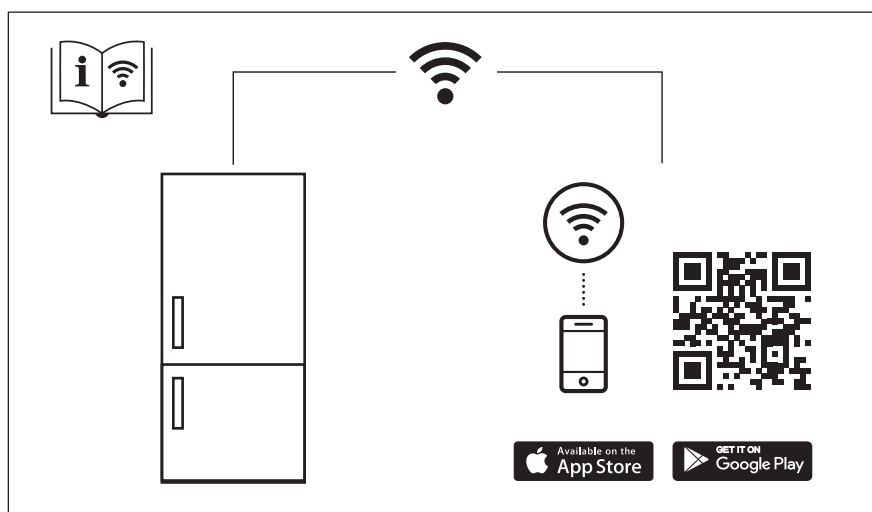
12. ENVIRONMENTAL CONCERNS

Recycle materials with the symbol .
Put the packaging in relevant containers to recycle it. Help protect the environment and human health by recycling waste of electrical and electronic appliances. Do not dispose of

appliances marked with the symbol  with the household waste. Return the product to your local recycling facility or contact your municipal office.

ÍNDICE

1. INFORMAÇÕES DE SEGURANÇA.....	33
2. INSTRUÇÕES DE SEGURANÇA.....	36
3. INSTALAÇÃO.....	38
4. PAINEL DE COMANDOS.....	41
5. UTILIZAÇÃO DIÁRIA.....	46
6. SUGESTÕES E CONSELHOS.....	52
7. CUIDADOS E LIMPEZA.....	55
8. RESOLUÇÃO DE PROBLEMAS.....	58
9. RUÍDOS.....	63
10. INFORMAÇÃO TÉCNICA.....	63
11. INFORMAÇÃO PARA INSTITUTOS DE TESTE.....	63
12. PREOCUPAÇÕES AMBIENTAIS.....	64



PARA RESULTADOS PERFEITOS

Obrigado por escolher este produto AEG. Criámo-lo para lhe proporcionar um desempenho impecável durante muitos anos, com tecnologias inovadoras que tornam a sua vida mais fácil – funcionalidades que poderá não encontrar em aparelhos comuns. Continue a ler durante alguns minutos para tirar o máximo partido do produto.

Visite o nosso website para:



Obter conselhos de utilização, folhetos, resolução de problemas e informações sobre assistência e reparações:

www.aeg.com/support



Registe o seu produto para beneficiar de um serviço melhor:

www.registeraeg.com



Adquira acessórios, consumíveis e peças de substituição originais para o seu aparelho:

www.aeg.com/shop

APOIO AO CLIENTE E ASSISTÊNCIA

Utilize sempre peças de substituição originais.

Sempre que contactar o nosso Centro de Assistência Técnica Autorizado, assegure que tem disponíveis os dados seguintes: Modelo, PNC, Número de Série.

Esta informação encontra-se na placa de identificação.

Aviso/Cuidado – Informações de segurança

Informações gerais e sugestões

Informações ambientais

Sujeito a alterações sem aviso prévio.

1. INFORMAÇÕES DE SEGURANÇA

Leia atentamente as instruções fornecidas antes de instalar e utilizar o aparelho. O fabricante não poderá ser responsabilizado por ferimentos ou danos resultantes de instalação incorreta ou utilização incorreta. Guarde sempre as instruções num sítio seguro e acessível para consultar no futuro.

1.1 Segurança de crianças e pessoas vulneráveis

- Este aparelho pode ser utilizado por crianças com 8 anos de idade ou mais velhas e por pessoas com capacidades físicas, sensoriais ou mentais reduzidas ou falta de experiência e conhecimento se forem

supervisionadas ou instruídas no que respeita à utilização do aparelho de uma forma segura e compreenderem os perigos envolvidos.

- É permitida a carga e a descarga do aparelho por crianças entre 3 e 8 anos de idade, desde que tenham sido instruídas corretamente.
- Este aparelho pode ser utilizado por pessoas com incapacidades muito extensas e complexas, desde que tenham sido instruídas corretamente.
- É necessário manter as crianças com menos de 3 anos de idade afastadas do aparelho, a menos que sejam constantemente vigiadas.
- As crianças devem ser vigiadas para garantir que não brincam com o aparelho e dispositivos móveis com a aplicação própria.
- A limpeza e a manutenção básica do aparelho não devem ser efetuadas por crianças sem supervisão.
- Mantenha todos os materiais de embalagem fora do alcance das crianças e elimine-os de forma apropriada.

1.2 Segurança geral

- Este aparelho destina-se apenas a conservar alimentos e bebidas.
- Este aparelho foi concebido unicamente para utilização doméstica num ambiente interior.
- Este aparelho pode ser utilizado em escritórios, quartos de hóspedes de hotéis, quartos de hóspedes de pousadas, casas de hóspedes de turismo rural e outros alojamentos semelhantes onde tal utilização não exceda os níveis de utilização doméstica (médios).
- Para evitar a contaminação dos alimentos, siga as instruções que se seguem:
 - não abra a porta durante longos períodos;
 - limpe regularmente superfícies que possam entrar em contacto com alimentos e sistemas de drenagem acessíveis;

- guarde a carne e o peixe crus em recipientes adequados no frigorífico, para que não entrem em contacto ou pinguem sobre outros alimentos.
- AVISO: Mantenha desobstruídas as aberturas de ventilação do aparelho ou da estrutura onde ele se encontra encastrado.
- AVISO: Não utilize um dispositivo mecânico ou qualquer meio artificial para acelerar o processo de descongelação além daqueles recomendados pelo fabricante.
- AVISO: Não danifique o circuito de refrigeração.
- AVISO: Não utilize aparelhos elétricos dentro dos compartimentos do aparelho destinados a alimentos, a não ser que sejam do tipo recomendado pelo fabricante.
- Não utilize jatos de água ou vapor para limpar o aparelho.
- Limpe o aparelho com um pano macio e húmido. Utilize apenas detergentes neutros. Não utilize produtos abrasivos, esfregões abrasivos, solventes ou objetos metálicos.
- Quando o aparelho estiver vazio durante um longo período, desligue-o, descongele, limpe, seque e deixe a porta aberta para prevenir o desenvolvimento de bolor no interior do aparelho.
- Não guarde substâncias explosivas, como latas de aerossóis com agente de pressão inflamável, dentro do aparelho.
- Se o cabo de alimentação estiver danificado, deve ser substituído pelo fabricante, por um Centro de Assistência Técnica Autorizado ou por uma pessoa igualmente qualificada, para evitar perigos.

2. INSTRUÇÕES DE SEGURANÇA

2.1 Instalação



AVISO!

A instalação deste aparelho tem de ser efetuada por uma pessoa qualificada.

- Retire a embalagem toda.
- Não instale nem utilize o aparelho se estiver danificado.
- Não utilize o aparelho antes de o instalar na estrutura embutida de uma forma segura.
- Siga as instruções de instalação fornecidas com o aparelho.
- Tenha sempre cuidado quando deslocar o aparelho porque ele é pesado. Utilize sempre luvas de proteção e calçado fechado.
- Certifique-se de que o ar pode circular em torno do aparelho.
- Após a instalação ou após uma inversão da porta, aguarde pelo menos 4 horas antes de ligar o aparelho à alimentação eléctrica. Isto permite que o óleo regresse ao compressor.
- Antes de efectuar qualquer operação no aparelho (por exemplo, inverter a porta), retire a ficha da tomada eléctrica.
- Não instale o aparelho próximo de radiadores ou fogões, fornos ou placas, salvo especificação em contrário nas instruções de instalação.
- Não exponha o aparelho à chuva.
- Não instale o aparelho em locais com luz solar direta.
- Não instale este aparelho em locais demasiado húmidos ou frios.
- Quando deslocar o aparelho, eleve-o na parte da frente para evitar riscar o chão.
- O aparelho contém um saco de dessecador. Não é um brinquedo. Não é um alimento. Deite-o fora imediatamente.

2.2 Ligação eléctrica



AVISO!

Risco de incêndio e choque eléctrico.



AVISO!

Ao posicionar o aparelho, certifique-se de que o cabo de alimentação não está preso nem danificado.



AVISO!

Não utilize adaptadores de tomadas duplas ou triplas, nem cabos de extensão.

- O aparelho tem de ficar ligado à terra.
- Certifique-se de que os parâmetros indicados na placa de características são compatíveis com as características da alimentação eléctrica.
- Utilize sempre uma tomada devidamente instalada e à prova de choques eléctricos.
- Certifique-se de que não danifica os componentes eléctricos (ficha e cabo de alimentação eléctrica, compressor, etc.). Contacte o centro de assistência técnica autorizada ou um electricista se for necessário substituir componentes eléctricos.
- O cabo de alimentação eléctrica deve ficar abaixo do nível da ficha.
- Ligue a ficha à tomada eléctrica apenas no final da instalação. Certifique-se de que a ficha fica acessível após a instalação.
- Não puxe o cabo de alimentação para desligar o aparelho. Puxe sempre a ficha.

2.3 Utilização



AVISO!

Risco de ferimentos, queimaduras, choque eléctrico ou incêndio.



O aparelho contém gás inflamável, isobutano (R600a), um gás

natural com um elevado nível de compatibilidade ambiental. Tenha cuidado para não provocar danos no circuito de refrigeração que contém isobutano.

- Não altere as especificações deste aparelho.
- É estritamente proibida qualquer utilização do produto de encastrar como produto independente.
- Não coloque dispositivos elétricos (por ex., máquinas de fazer gelados) no interior do aparelho, exceto se forem autorizados pelo fabricante.
- Se ocorrerem danos no circuito de refrigeração, certifique-se de que não existem chamas e fontes de ignição na divisão. Ventile bem a divisão.
- Não permita que objetos quentes toquem nas peças de plástico do aparelho.
- Não coloque bebidas gaseificadas dentro do congelador. Isto irá criar pressão no recipiente da bebida.
- Não guarde gases e líquidos inflamáveis no aparelho.
- Não coloque produtos inflamáveis, nem objetos molhados com produtos inflamáveis, no interior, perto ou em cima do aparelho.
- Não toque no compressor ou no condensador. Estão quentes.
- Não partilhe a sua palavra-passe de Wi-Fi.
- Não remova nem toque em peças do compartimento de congelação com as mãos húmidas ou molhadas.
- Não volte a congelar alimentos que já foram descongelados.
- Cumpra as instruções de armazenamento das embalagens dos alimentos congelados.
- Embrulhe os alimentos em qualquer material adequado para entrar em contacto com alimentos antes de os colocar no compartimento do congelador.
- Não permita que os alimentos entrem em contacto com as paredes internas dos compartimentos do aparelho.

2.4 Iluminação interna



AVISO!
Risco de choque elétrico.

- Este produto contém uma ou mais fontes de luz da classe de eficiência energética F.
- Relativamente à(s) lâmpada(s) no interior deste produto e às lâmpadas sobressalentes vendidas separadamente: Estas lâmpadas destinam-se a suportar condições físicas extremas em eletrodomésticos, tais como temperatura, vibração, humidade, ou destinam-se a sinalizar informação relativamente ao estado operacional do aparelho. Não se destinam a ser utilizadas em outras aplicações e não se adequam à iluminação de espaços domésticos.

2.5 Manutenção e limpeza



AVISO!
Risco de ferimentos ou danos no aparelho.

- Antes de qualquer acção de manutenção, desactive o aparelho e desligue a ficha da tomada eléctrica.
- Este aparelho contém hidrocarbonetos na sua unidade de arrefecimento A manutenção e o recarregamento só devem ser efectuados por uma pessoa qualificada.
- Inspeccione regularmente o escoamento do aparelho e limpe-o, se necessário. Se o orifício de escoamento estiver bloqueado, a água descongelada fica acumulada na parte inferior do aparelho.

2.6 Assistência técnica

- Para reparar o aparelho, contacte o Centro de Assistência Técnica Autorizado. Utilize apenas peças sobressalentes originais.
- Note que uma reparação própria ou não profissional pode ter consequências para a segurança e anular a garantia.
- As seguintes peças de reposição estarão disponíveis durante 7 anos após a descontinuação do modelo: termóstatos, sensores de temperatura, placas de circuito impressas, fontes de iluminação, pegas de porta, dobradiças de porta,

tabuleiros e cestos. Note que algumas destas peças de reposição só estão disponíveis para reparadores profissionais e que nem todas as peças de reposição são relevantes para todos os modelos.

- As juntas das portas estarão disponíveis durante 10 anos após a descontinuação do modelo.

2.7 Eliminação



AVISO!

Risco de ferimentos ou asfixia.

- Desligue o aparelho da alimentação eléctrica.

- Corte o cabo de alimentação eléctrica e elimine-o.
- Remova a porta para evitar que crianças ou animais de estimação fiquem fechados no interior do aparelho.
- O circuito de refrigeração e os materiais de isolamento deste aparelho não prejudicam a camada de ozono.
- A espuma de isolamento contém gás inflamável. Contacte a sua autoridade municipal para saber como eliminar o aparelho correctamente.
- Não provoque danos na parte da unidade de arrefecimento que está próxima do permutador de calor.

3. INSTALAÇÃO



AVISO!

Consulte os capítulos de Segurança.



AVISO!

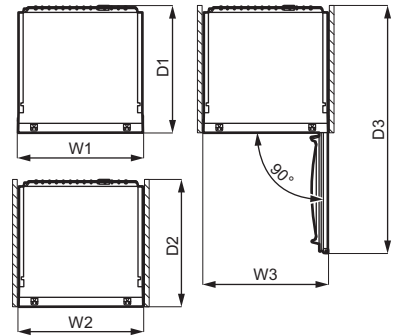
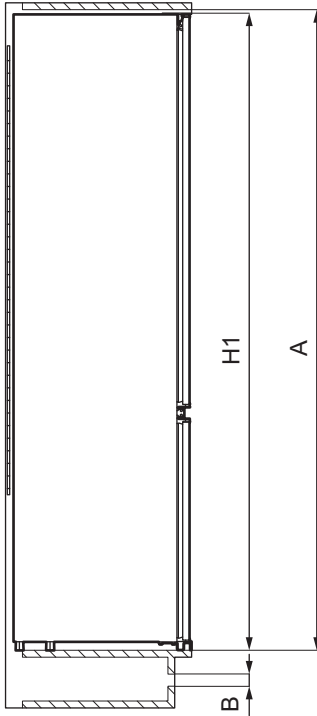
Consulte o documento de instruções de instalação para instalar o seu aparelho.



AVISO!

Fixe o aparelho de acordo com o documento de instruções de instalação para evitar um risco de instabilidade do aparelho.

3.1 Dimensões



Dimensões gerais ¹		
H1	mm	1884
W1	mm	696
D1	mm	549

¹ a altura, largura e profundidade do aparelho sem o puxador

Espaço necessário em utilização ²		
H2 (A+B)	mm	1923
W2	mm	696
D2	mm	561
A	mm	1894
B	mm	29

² a altura, largura e profundidade do aparelho incluindo o puxador, mais o espaço necessário para a livre circulação do ar de arrefecimento

Espaço geral necessário em utilização ³		
H3 (A+B)	mm	1923
W3	mm	696
D3	mm	1229

³ a altura, largura e profundidade do aparelho incluindo o puxador, mais o espaço necessário para a livre circulação do ar de arrefecimento, mais o espaço necessário para permitir a abertura da porta no ângulo mínimo que permita a remoção de todo o equipamento do interior




3.2 Localização

Para garantir a melhor funcionalidade do aparelho, não deve instalá-lo num local com luz solar direta. Não instale o aparelho próximo de radiadores ou fogões, fornos ou placas, salvo especificação em contrário nas instruções de instalação.

Verificar se o ar circular livremente na parte de trás do armário.

Este aparelho deve ser instalado numa posição seca e bem ventilada no interior.

Este aparelho está previsto para ser usado numa temperatura ambiente entre 10°C a 43°C.

-  O funcionamento correto do aparelho é garantido apenas no intervalo de temperaturas especificado.
-  No caso de dúvidas sobre o posicionamento para instalação do aparelho, contactar o revendedor, o nosso serviço de apoio a clientes ou o Centro de Assistência Técnica Autorizado mais próximo.
-  Deve haver espaço suficiente para permitir desligar o aparelho da corrente elétrica. A ficha deve estar facilmente acessível depois da instalação.

3.3 Ligação elétrica

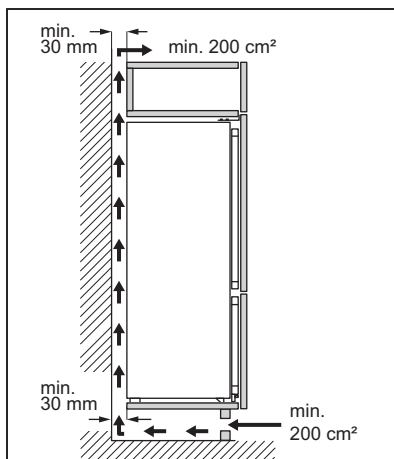
- Antes de ligar, certifique-se de que a tensão e a frequência indicadas na placa de características correspondem à sua fonte de alimentação doméstica.
- O aparelho tem estar ligado à terra. A ficha do cabo de alimentação é fornecida com um contacto para este fim. Se a tomada de alimentação

doméstica não estiver ligada à terra, ligue o aparelho a uma ligação à terra separada, em conformidade com os regulamentos em vigor, consultando um electricista qualificado.

- O fabricante declina toda a responsabilidade se as precauções de segurança acima não forem cumpridas.

3.4 Requisitos de ventilação

O fluxo de ar atrás do aparelho deve ser suficiente.



CUIDADO!

Consulte as instruções de instalação para efetuar a instalação.

3.5 Reversibilidade das portas

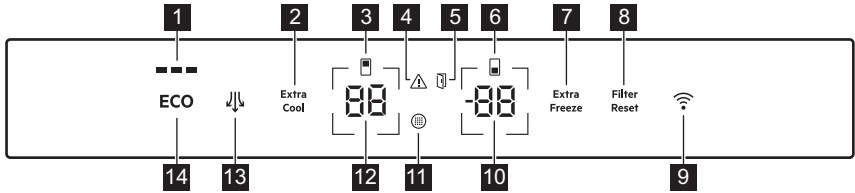
Consulte o documento avulso com instruções sobre a instalação e reversibilidade da porta.



CUIDADO!

Em qualquer etapa de reversão da porta, proteja o pavimento de riscos com um material durável.

4. PAINEL DE COMANDOS



- 1** Indicador ECOMETER
- 2** Extra Cool botão / indicador
- 3** Indicador do compartimento do frigorífico
- 4** Indicador de alarme
- 5** Indicador do alarme de porta aberta
- 6** Indicador do compartimento do congelador
- 7** Extra Freeze botão / indicador
- 8** Filter Reset botão/indicador de alarme
- 9** Botão/indicador de conectividade
- 10** Botão/indicador de temperatura do congelador
- 11** Indicador de mudança do filtro de ar
- 12** Botão/indicador de temperatura do frigorífico
- 13** Ventilador botão / indicador
- 14** Botão ECO

4.1 Ligar

Ligue a ficha na tomada elétrica.

Para selecionar uma temperatura diferente, consulte "Como regular a temperatura".

Se o visor apresentar **DE** ou **OF**, consulte "Resolução de problemas".

4.2 Desligar

1. Mantenha premidos o botão da temperatura do frigorífico e o botão da temperatura do congelador em simultâneo durante 5 segundos.

O visor mostra **OF** intermitente.

2. Quando o aparelho é desligado, o visor apresenta **OF**.

3. Desligue a ficha da tomada elétrica.

4.3 Como regular a temperatura

O intervalo de temperatura pode variar entre -15 °C e -24 °C para o congelador e entre 2 °C e 8 °C para o frigorífico.

Prima os botões da temperatura para definir a temperatura do aparelho.

A temperatura definida recomendada é:

- +4°C para o frigorífico
- -18°C para o congelador

Podem definir manualmente a temperatura recomendada com os botões de temperatura ou ligando o ECO função. Consulte "ECO função" para obter mais informações

Os indicadores de temperatura apresentam a temperatura definida.



A temperatura definida é atingida em 24 horas. Após uma falha de energia, o aparelho volta à temperatura definida.

4.4 Desligar o frigorífico

É possível desligar apenas o compartimento do frigorífico, deixando o compartimento do congelador ligado.

1. Prima continuamente o botão da temperatura do frigorífico durante 5 segundos.

O visor mostra **OF** intermitente.

2. Quando o compartimento do frigorífico estiver desligado, o visor apresenta **OF**.


4.5 Ligar o frigorífico

Ligar o frigorífico:

1. Prima continuamente o botão da temperatura do frigorífico durante 5 segundos.

O visor mostra  intermitente.

2. O compartimento do frigorífico está ligado e a temperatura definida anterior é restaurada.

 Para ajustar a temperatura, consulte "Como regular a temperatura".

4.6 ECO função


A função ECO define a temperatura ideal para garantir a conservação dos alimentos, minimizando o consumo de energia.


1. Para ativar esta função, prima o botão ECO.

A temperatura do frigorífico está definida para +4 °C e a temperatura do congelador para -18 °C.

2. Para desativar a função, prima novamente o botão ECO ou selecione uma temperatura selecionada diferente (consulte "Como regular a temperatura").

Depois de desativar a função ECO, a temperatura do frigorífico é definida para +2 °C e a temperatura do congelador para -20 °C.

 A ativação da função ECO desativa as funções Extra Cool e Extra Freeze.

 O indicador ECOMETER apresenta o consumo de energia atual do aparelho. Três barras totalmente iluminadas indicam a configuração mais eficiente em termos energéticos.

4.7 Extra Cool função


Com a função Extra Cool, pode arrefecer rapidamente grandes quantidades de alimentos quentes, por exemplo, depois de fazer compras, sem aquecer alimentos já armazenados no compartimento do frigorífico.

Para ativar a função, prima o botão Extra Cool.

O indicador luminoso Extra Cool acende-se. Quando a função Extra Cool está ativa, a ventoinha pode funcionar automaticamente.


A função pára automaticamente aproximadamente após 6 horas. Quando a função estiver desligada, o indicador Extra Cool apaga-se.

Prima o botão Extra Cool para desativar a função Extra Cool antes de esta terminar automaticamente.

 Para definir uma temperatura diferente do frigorífico, desligue a função Extra Cool e consulte "Como regular a temperatura".

4.8 Extra Freeze função

A função Extra Freeze é usada para fazer a pré-congelação e congelação rápida sequencial no compartimento do congelador. Esta função acelera a congelação de alimentos frescos e, ao mesmo tempo, impede que os alimentos já armazenados aqueçam.

 Para congelar alimentos frescos, a função Extra Freeze deve ser ativada pelo menos 24 horas antes de colocar os alimentos na pré-congelação.

Para ativar esta função, prima o botão Extra Freeze.

O indicador Extra Freeze luminoso acende-se. A função Extra Freeze para automaticamente após um máximo de 52 horas.

Prima o botão Extra Freeze para desativar a função Extra Freeze antes de esta terminar automaticamente.

4.9 Ventilador função

O compartimento do frigorífico está equipado com um dispositivo que permite o arrefecimento rápido dos alimentos e garante uma elevada uniformidade da temperatura no compartimento.

Este aparelho ativa-se automaticamente quando necessário ou manualmente.

Para ativar a função, prima o botão Ventilador. O indicador Ventilador luminoso acende-se

Para desativar a função, prima novamente o botão Ventilador. O indicador Ventilador apaga-se.

- i** Se a função for ativada automaticamente, o indicador Ventilador não se acende.
A ativação da função Ventilador pode aumentar o ruído e o consumo de energia.

A ventoinha funciona apenas quando a porta está fechada.

4.10 Alarme de temperatura alta

Quando a temperatura no compartimento do congelador aumenta (por exemplo, devido a uma falha de energia), o indicador de alarme fica intermitente, o indicador de temperatura do congelador mostra H° e fica intermitente e o som ativa-se. Para desativar o alarme, prima qualquer botão.

O indicador de alarme e o som desativam-se. O indicador de temperatura do congelador mostra H° durante 5 segundos antes de indicar novamente a temperatura do congelador.

- i** O alarme reinicia uma hora após a desativação, até que as condições normais sejam restauradas.
Se não premir um botão, o som desliga-se automaticamente depois de cerca de uma hora para evitar incomodar.

4.11 Alarme de porta aberta

Se a porta do frigorífico for deixada aberta durante aproximadamente 5 minutos ou se a porta do congelador for

deixada aberta durante aproximadamente 80 segundos, o som ativa-se e o indicador de alarme de porta aberta acende-se. A luz interna do frigorífico também pode começar a piscar.

O alarme para após fechar a porta. Prima qualquer botão para desligar o som e a intermitência da luz interna do frigorífico.

- i** Se não premir um botão, o som desliga-se automaticamente depois de cerca de uma hora para evitar incomodar.

4.12 Indicador de mudança do filtro de ar

Quando o filtro de ar tiver expirado e necessitar de substituição, o Indicador de mudança do filtro de ar e o indicador de alarme Filter Reset acendem-se.

Consulte a secção "Instalação e substituição do filtro CleanAir+" no capítulo "Cuidados e limpeza" para ver as instruções de substituição.

Após a substituição do filtro, prima o botão de alarme Filter Reset para desligar o alarme.

4.13 Wi-Fi configuração de conectividade

Esta funcionalidade permite-lhe ligar o seu aparelho à rede Wi-Fi e ligá-lo ao seu dispositivo móvel. Esta funcionalidade permite-lhe receber notificações, controlar e monitorizar o seu aparelho a partir do seu dispositivo móvel.

Para ligar o aparelho, necessita de:

- Rede sem fios com a ligação à Internet,
- Dispositivo móvel ligado à sua rede sem fios.

Frequência/Protocolo	Wi-Fi:2.4GHz / 802.11 bgn
----------------------	---------------------------

Potência	Wi-Fi 2.4GHz:<20dBm
Encriptação	WPA-PSK,WPA2-PSK,WPA3-Personal



Instalar a aplicação móvel

Proceda da seguinte forma para ligar o aparelho a Wi-Fi:

1. Certifique-se de que o aparelho está ligado a uma tomada elétrica e ativado.
2. Certifique-se de que o seu dispositivo móvel está ligado à mesma rede sem fios à qual pretende adicionar o seu aparelho.
3. Transfira a aplicação Google Play no seu dispositivo móvel a partir de (Android) ou App Store (iOS) e instale a aplicação no seu dispositivo móvel.
4. Abra a aplicação e registe-se para criar uma conta.

Configurar a ligação de rede sem fios do aparelho

Siga as instruções na aplicação para concluir o processo de integração:

1. Prima sem soltar o botão Conectividade no seu aparelho durante 3 segundos até ouvir um sinal sonoro. Isto iniciará o sistema Wi-Fi.
2. Após alguns segundos,  aparece no visor e o indicador de Conectividade começa a piscar lentamente.
3. Continue a seguir as instruções na aplicação para concluir o processo de integração.
4. Durante o processo em curso, o visor poderá apresentar temporariamente .

Após a integração bem-sucedida, o indicador de Conectividade deixa de estar intermitente e fica fixo. O visor apresenta as definições da temperatura.

Desativar a ligação sem fios do aparelho

Pode desativar temporariamente a ligação Wi-Fi premindo sem soltar o botão Conectividade durante 3 segundos. O indicador de conectividade desliga-se e o aparelho emite um sinal sonoro.

Assim que a ligação Wi-Fi estiver desativada, para restabelecer automaticamente a ligação, prima sem soltar o botão Conectividade durante 3 segundos.



Após a reposição, o indicador de Conectividade pode estar desligado. Aguarde alguns segundos até este ligar.

Repor a ligação sem fios do aparelho

Antes de repor a configuração Wi-Fi, certifique-se de que o indicador de Conectividade está visível no visor. Isto significa que a função está ligada. Se a função estiver desligada, a tentativa de repor a ligação irá ativar a função.

Pode repor a configuração Wi-Fi premindo sem soltar o botão Conectividade durante 10 segundos. O aparelho emite um sinal sonoro para confirmar a reposição bem-sucedida.

Para restabelecer a ligação, repita todos os passos descritos na secção "Desativar a ligação sem fios do aparelho".

4.14 Modo de configuração

O modo de Configuração permite-lhe:

- Ativar ou desativar o indicador ECOMETER
- Ativar ou desativar os sons dos botões
- Alterar as unidades de temperatura de °C para °F
- Reiniciar as definições de fábrica no aparelho

Ativar o modo de definição

Para ativar o modo de Configuração:

1. Prima e mantenha premido o botão ECO no seu aparelho durante aproximadamente 3 segundos. Quando o modo de Configuração

está a ser ativado, o visor apresenta um **SE** **Et** intermitente.

- Assim que o modo de Configuração estiver ligado, o visor apresenta **PE** **On**.

Para desativar o modo de Configuração, prima e mantenha premido o botão ECO durante aproximadamente 3 segundos.

O modo de Configuração desativa-se automaticamente se não interagir com o painel de controlo durante 60 segundos.

Navegar no modo de Configuração

- Ativar o modo de Configuração (consulte "Ativar o modo de definição").

O visor mostra **PE** **On**.

- Toque no botão da temperatura do frigorífico (à esquerda) para alterar o parâmetro. Toque no botão da temperatura do congelador (à direita) para alterar o valor do parâmetro.

Visor	Parâmetros predefinidos
PE On	Indicador ECOMETER
Et On	Sons dos botões
CF °C	Unidade de temperatura
F5 03	Definições de fábrica

ECOMETER indicador

Para ligar ou desligar ECOMETER:

- Ativar o modo de Configuração (consulte "Ativar o modo de definição").

O visor mostra **PE** **On**.

- Toque em **On** repetidamente. O indicador será apresentado respetivamente **On** para o indicador ativado ou **Off** para o ECOMETER indicador desativado.
- Prima e mantenha premido o botão ECO durante aproximadamente 3

segundos para sair do modo de Configuração.

Sons dos botões

Podem ativar ou desativar os sons dos botões no modo de Configuração. Para ativar ou desativar os sons:

- Ativar o modo de Configuração (consulte "Ativar o modo de definição").

O visor mostra **PE** **On**.

- Toque em **PE** repetidamente em até ver **Et**. Toque em **On** para ligar ou desligar os sons. O indicador mudará para **On** para o ativado ou **Off** para os sons desativados.
- Prima e mantenha premido o botão ECO durante aproximadamente 3 segundos para sair do modo de Configuração.

Unidade de temperatura

Utilizando o modo de Configuração, pode alterar a unidade de temperatura apresentada no painel de controlo de Celsius para Fahrenheit. Para alterar a unidade de temperatura:

- Ativar o modo de Configuração (consulte "Ativar o modo de definição").

O visor mostra **PE** **On**.

- Toque em **PE** repetidamente em até ver **CF** e **°C**. Toque no indicador que mostra a unidade para selecionar entre **°C** Celsius e **°F** Fahrenheit.
- Prima e mantenha premido o botão ECO durante aproximadamente 3 segundos para sair do modo de Configuração.

Definições de fábrica

Esta função restaura cada definição para as predefinições de fábrica. Para restaurar as predefinições de fábrica:

- Ativar o modo de Configuração (consulte "Ativar o modo de definição").

O visor mostra **PE** **On**.

2. Toque em **PE** repetidamente em até ver **FS** e **03**. Toque em **03** repetidamente até ver **00**. **00** fica intermitente **FS** e, em seguida, estável **03**, o que indica

que as definições de fábrica foram restauradas.

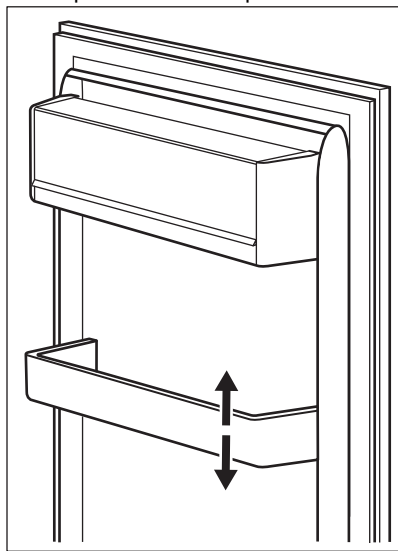
3. Prima e mantenha premido o botão **ECO** durante aproximadamente 3 segundos para sair do modo de Configuração.

5. UTILIZAÇÃO DIÁRIA

5.1 Posicionar as prateleiras da porta

Para permitir a arrumação de embalagens de alimentos de diversos tamanhos, as prateleiras da porta podem ser colocadas a alturas diferentes.

1. Puxar gradualmente a prateleira para cima até sair.
2. Reposicionar como pretender.



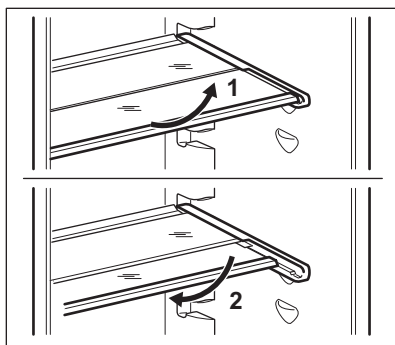
5.2 Prateleiras amovíveis

As paredes do frigorífico possuem várias calhas que permitem posicionar as prateleiras conforme pretendido.

Este aparelho está também equipado com uma prateleira que é composta por duas partes. A metade da frente da prateleira pode ser colocada debaixo da segunda metade para uma melhor utilização do espaço.

Para dobrar a prateleira:

1. Retire a metade da frente com cuidado.
2. Deslize-a pela calha inferior e debaixo da segunda metade.



- i** Não desloque a prateleira de vidro que cobre a gaveta de legumes, para garantir uma circulação de ar correcta.

5.3 GreenZone gaveta

Existe uma gaveta extraível na parte inferior do compartimento do frigorífico.

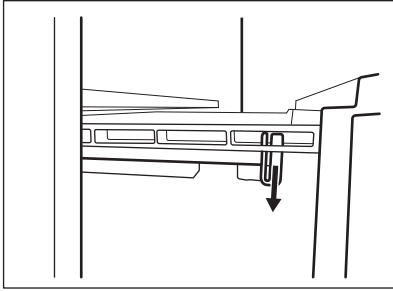
A prateleira de vidro do GreenZone está equipada com um dispositivo que regula a sua vedação e proporciona uma humidade ideal no interior da gaveta.

5.4 Remover GreenZone

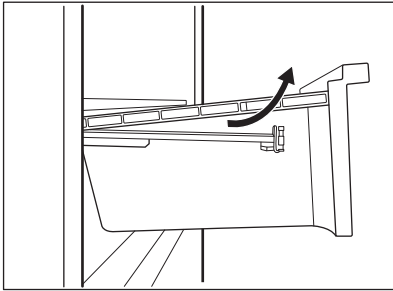
- i** Recomenda-se que esvazie a gaveta antes de retirar do frigorífico.

Para remover a gaveta:

1. Retire a gaveta do frigorífico estendendo as calhas totalmente.
2. Empurre a tampa das calhas e levante a parte da frente da gaveta.

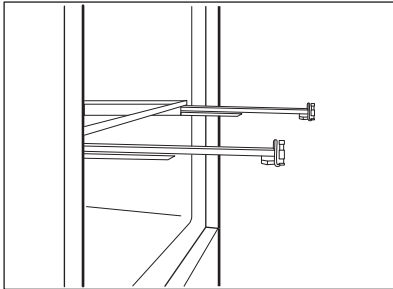


3. Puxe a gaveta para fora enquanto a levanta e a retira das calhas.

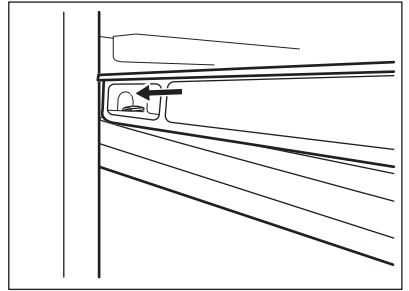
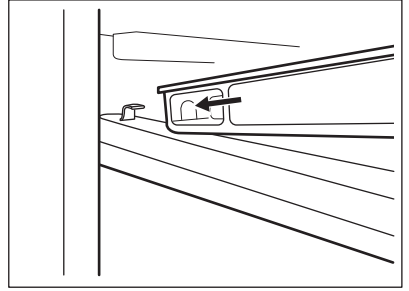


Para voltar a montar:

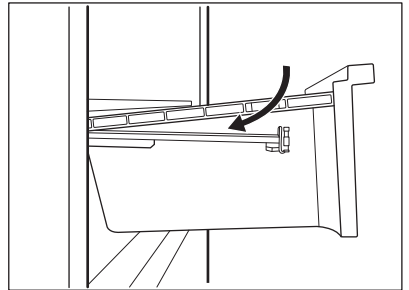
1. Retire completamente as calhas.



2. Coloque a parte traseira da gaveta nas calhas.



3. Mantenha a parte da frente da gaveta levantada enquanto empurra a gaveta para dentro.



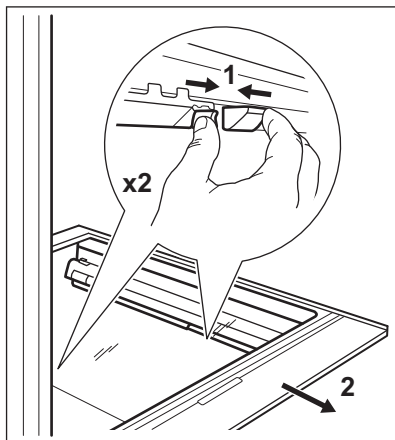
4. Prima a parte dianteira da gaveta para baixo.



Puxe a gaveta novamente e verifique se está colocada corretamente nos ganchos traseiro e dianteiro.

Para remover a tampa de vidro da gaveta GreenZone:

1. Desbloqueie a fixação lateral de ambos os lados em simultâneo.

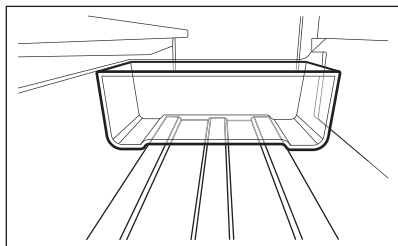


2. Puxe o suporte da prateleira de vidro para si.

5.5 ExtraZone gaveta

Existe uma gaveta destacável por cima da gaveta GreenZone.

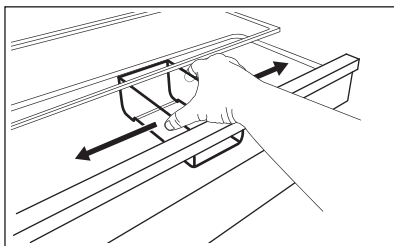
A gaveta ExtraZone está equipada adicionalmente com um pequeno recipiente com tampa.



A gaveta ExtraZone tem ranhuras que permitem reenâncias para encaixar o recipiente.

Coloque o recipiente horizontalmente nas ranhuras da gaveta para o manter numa posição estável.

O recipiente desloca-se lateralmente e pode utilizá-lo para dividir a gaveta, se necessário.



5.6 Remover ExtraZone

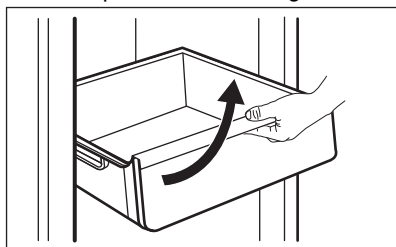
Existe uma gaveta destacável por cima da gaveta GreenZone.



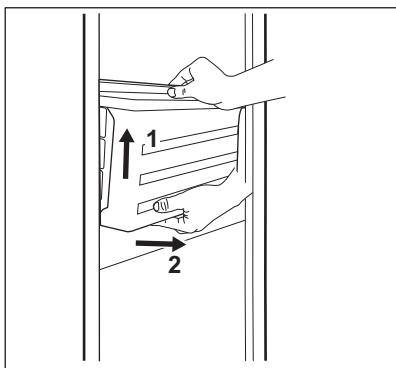
Recomenda-se que esvazie a gaveta antes de a retirar do frigorífico.

Para remover a gaveta:

1. Retire a gaveta do frigorífico estendendo totalmente as calhas.
2. Empurre a tampa das calhas e levante a parte da frente da gaveta.



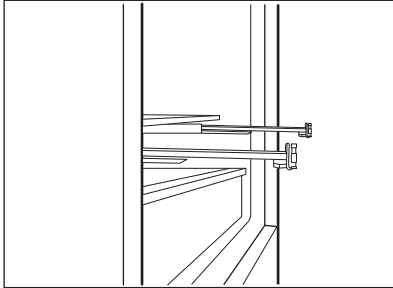
3. Puxe a gaveta para fora enquanto a levanta e a retira das calhas.



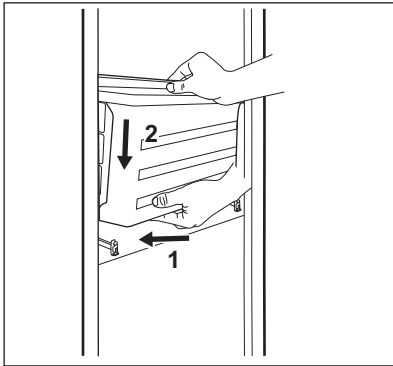
- Empurre as calhas para dentro do compartimento para evitar danos no aparelho ao fechar a porta.

Para voltar a montar:

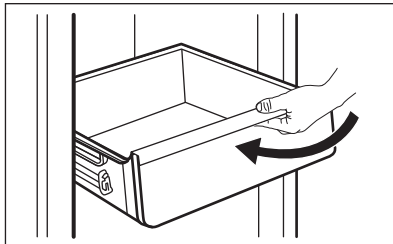
- Retire completamente as calhas.



- Coloque a parte traseira da gaveta nas calhas.



- Mantenha a parte da frente da gaveta levantada enquanto empurra a gaveta para dentro.

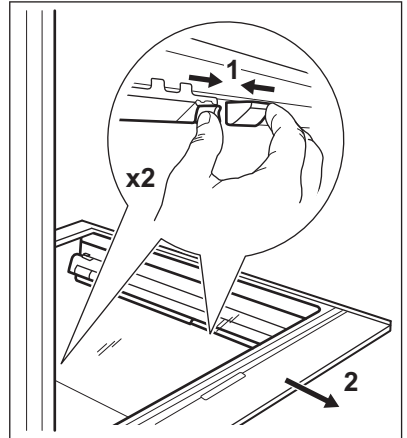


- Prima a parte dianteira da gaveta para baixo.

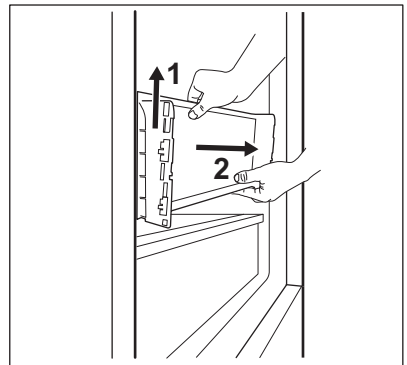
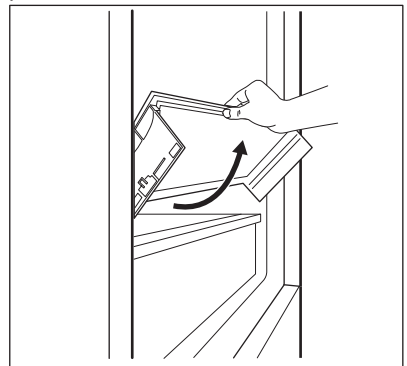
- i** Puxe a gaveta novamente e verifique se está colocada corretamente nos ganchos traseiro e dianteiro.

Para remover a prateleira de vidro:

- Desbloqueie a fixação lateral de ambos os lados em simultâneo.



- Puxe o suporte da prateleira de vidro para si.

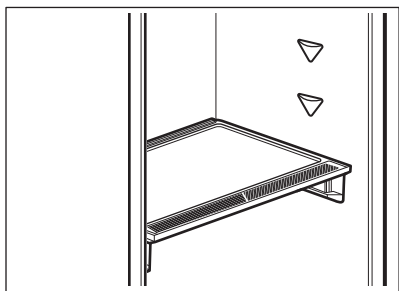


5.7 Controlo de humidade

A prateleira de vidro da gaveta GreenZone está equipada com um dispositivo que regula a sua vedação e proporciona uma humidade ideal no interior da gaveta.

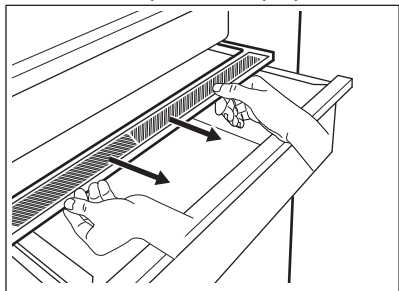


Não coloque quaisquer alimentos no dispositivo de controlo de humidade.

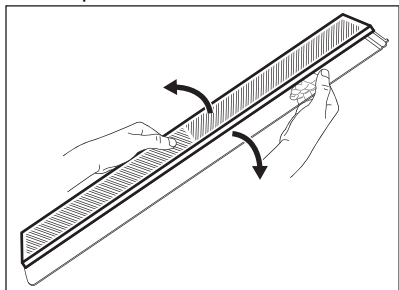


Para remover o dispositivo de controlo de humidade:

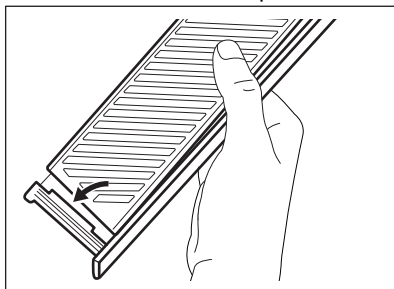
1. Abra a gaveta por baixo da prateleira de vidro e puxe a tampa para fora.



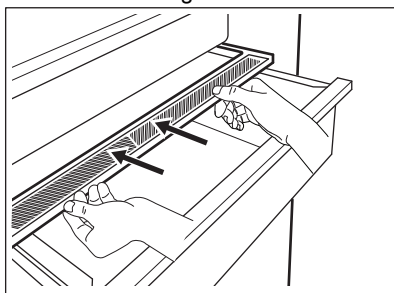
2. Se precisar de substituir a membrana branca do dispositivo, agarre o dispositivo no meio e separe a membrana da tampa puxando a tampa.



3. Monte uma nova membrana na tampa pressionando a extremidade da membrana na tampa.



4. Volte a montar o controlo de humidade na gaveta.



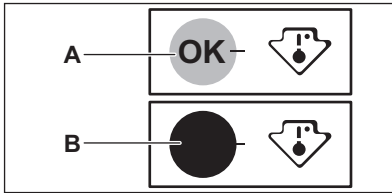
Dependendo da quantidade e condição da fruta e legumes armazenados na gaveta GreenZone, pode ocorrer condensação. Nesse caso, remova a condensação com um pano macio.

5.8 Indicador de temperatura

O frigorífico está equipado com um indicador de temperatura para ajudar a garantir um armazenamento correto dos alimentos. O símbolo na parede lateral do aparelho indica a área mais fria do frigorífico.

Se OK for exibido (A), coloque alimentos frescos na área indicada com o símbolo, se não (B), aguarde pelo menos 12 horas e confirme se está OK (A).

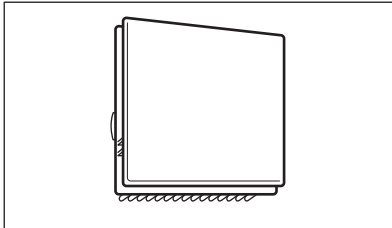
Se continuar a não estar OK (B), ajuste o controlo da definição para uma regulação mais fria.





5.9 Ventilador

O compartimento do frigorífico está equipado com um dispositivo que permite a refrigeração rápida dos alimentos e mantém uma temperatura mais uniforme no compartimento.

Este aparelho ativa-se automaticamente quando necessário.



É também possível ativar o dispositivo manualmente quando necessário (consulte a "função Ventilador").

-  A ventoinha funciona apenas quando a porta está fechada.
-  Não retire a proteção da ventoinha.

5.10 CleanAir+ filtro

No aparelho, existe um filtro de carvão CleanAir+.

O filtro elimina os odores indesejáveis do ar no compartimento do frigorífico melhorando a qualidade do armazenamento.


Após a entrega, o filtro e a respetiva caixa de plástico encontram-se num saco de plástico com os outros acessórios (consulte a secção "Instalação e substituição do filtro CleanAir+" no capítulo "Cuidados e limpeza" para a instalação).

5.11 Bottle Stop


O acessório evita que garrafas ou latas rolem. Pode empilhar as garrafas ou latas umas em cima das outras, para poupar espaço na prateleira e organizar melhor o seu frigorífico.

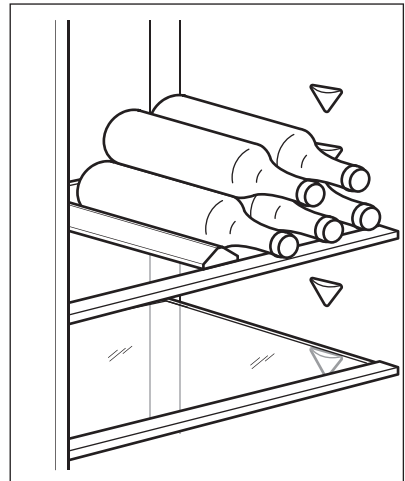
O acessório não requer montagem nem ferramentas. Coloque o acessório com a base de silicone virada para baixo e comece a empilhar as garrafas.

A base de silicone do acessório é antiderrapante: não cola nem desliza.

-  Armazene, no máximo, 10 kg de garrafas e/ou latas de diferentes tamanhos em até duas filas, conforme ilustrado na imagem.

Armazene apenas garrafas ou latas fechadas, colocando-as com a abertura virada para a frente.

-  Não coloque alimentos não embalados em contacto direto com o acessório.



5.12 Congelar alimentos frescos

Os compartimentos do congelador são adequados para congelar alimentos frescos e conservar alimentos congelados e ultracongelados a longo prazo.

Para congelar alimentos frescos ative a Extra Freeze função pelo menos 24 horas antes de colocar os alimentos a congelar no compartimento do congelador.

Guarde os alimentos frescos uniformemente distribuídos no primeiro compartimento ou gaveta da parte superior.

A quantidade máxima de alimentos que podem ser congelados sem acrescentar outros alimentos durante 24 horas está especificada na placa de classificação (um rótulo situado no interior do aparelho).

Quando o processo de congelação terminar, o aparelho regressa automaticamente à definição de temperatura anterior (consulte a "Função Extra Freeze").

Para obter mais informações, consulte "Sugestões para congelar".

5.13 Armazenamento de alimentos congelados

Quando ativar o aparelho pela primeira vez ou após um período sem utilização, e antes de colocar os produtos no compartimento, deixe o aparelho funcionar durante pelo menos 3 horas com a função Extra Freeze ativada.

As gavetas do congelador permitem encontrar a embalagem que desejar rápida e facilmente.

Mantenha os alimentos a mais de 15 mm da porta.



CUIDADO!

Em caso de descongelação acidental, por exemplo, devido a uma falha de energia, se a energia faltar durante mais tempo do que o indicado na placa de classificação em "Tempo de autonomia", os alimentos descongelados têm de ser consumidos rapidamente ou cozinhados imediatamente, arrefecidos e novamente congelados. Consulte "Alarme de temperatura alta".

5.14 Descongelação

Os alimentos ultra congelados ou congelados, antes de serem consumidos, podem ser descongelados no frigorífico ou dentro de um saco plástico com água fria.

Esta operação depende do tempo disponível e do tipo de alimento. Peças pequenas podem ainda ser cozinhadas ainda congeladas.

5.15 Produção de cubos de gelo

Este aparelho possui uma ou mais cuvetes para a produção de cubos de gelo.



Não utilize instrumentos metálicos para remover as cuvetes do congelador.

1. Encha as cuvetes com água..
2. Coloque as cuvetes no compartimento do congelador.

6. SUGESTÕES E CONSELHOS

6.1 Sugestões para poupar energia

- Congelador: A configuração interna do aparelho é a que garante a utilização mais eficiente de energia.
- Frigorífico: A utilização mais eficiente da energia é garantida na configuração com as gavetas na parte

inferior do aparelho e nas prateleiras uniformemente distribuídas. O posicionamento das caixas da porta não afeta o consumo de energia.


- Não abra a porta muitas vezes nem a deixe aberta mais tempo do que o necessário.

- Congelador: Quanto mais fria for a regulação da temperatura, mais alto é o consumo energético.
 - Frigorífico: Não regule a temperatura demasiado alta para poupar energia, a menos que seja exigido pelas características dos alimentos.
 - Se a temperatura ambiente for alta e o controlo de temperatura se encontrar na regulação de temperatura baixa com o aparelho completamente cheio, o compressor pode funcionar continuamente, causando a formação de gelo no evaporador. Neste caso, defina o controlo de temperatura para uma temperatura mais alta para permitir a descongelação automática e poupar energia desta forma.
 - Garanta uma boa ventilação. Não tape as grelhas ou orifícios de ventilação.
 - Certifique-se de que os produtos alimentares no interior do aparelho permitem a circulação do ar através de orifícios dedicados na parte interior traseira do aparelho.
- podem explodir durante a congelação.
- Não coloque alimentos quentes no congelador. Arrefeça à temperatura ambiente antes de os colocar no interior do compartimento.
 - Para evitar a subida da temperatura de alimentos já congelados, não coloque alimentos frescos não congelados diretamente próximos daqueles. Coloque os alimentos à temperatura ambiente na parte do congelador onde não existam alimentos congelados.
 - Não coma cubos de gelo, gelados com água ou gelados de gelo imediatamente após tirá-los do congelador. Risco de queimadura por frio.
 - Não volte a congelar alimentos descongelados. Se os alimentos tiverem descongelado, cozinhe-os, arrefeça-os e, seguidamente, congele-os.

6.2 Sugestões para congelar

- Ative a função Extra Freeze pelo menos 24 horas antes de colocar os alimentos no interior do congelador.
- Antes de congelar, embalar e selar os alimentos frescos em: folha de alumínio, película plástica ou sacos, recipientes herméticos com tampa.
- Para uma congelação e descongelação mais eficientes, divida os alimentos em pequenas porções.
- Recomenda-se que coloque etiquetas e datas em todos os seus alimentos congelados. Isto irá ajudá-lo a identificar os alimentos e a saber quando devem ser consumidos antes da sua deterioração.
- Os alimentos devem ser frescos quando são congelados para preservar a boa qualidade. Especialmente fruta e legumes devem ser congelados depois da colheita para preservar todos os seus nutrientes.
- Não congele garrafas ou latas com líquidos, em particular bebidas que contenham dióxido de carbono -

6.3 Sugestões para armazenamento de alimentos congelados

- O compartimento do congelador é o assinalado com .
- A regulação de uma boa temperatura que assegura a preservação de produtos alimentares congelados deve ser igual ou inferior a -18 °C. A regulação de uma temperatura mais alta no interior do aparelho pode levar a uma duração mais curta.
- Todo o compartimento do congelador é adequado ao armazenamento de produtos alimentares congelados.
- Deixe espaço suficiente em torno dos alimentos para permitir que o ar circule livremente.
- Para um armazenamento adequado, consulte o rótulo da embalagem dos alimentos para ver a respetiva validade.
- É importante envolver os alimentos de forma a prevenir que água, humidade ou condensação entrem no interior.

6.4 Dicas para compras

Após as compras de mercearia:

- Garanta que a embalagem não está danificada - os alimentos poderiam estar deteriorados. Se a embalagem estiver inchada ou húmida, pode não ter sido armazenada nas condições ideais e a descongelação pode já ter sido iniciada.
- Para limitar o processo de descongelação, compre os produtos congelados no fim das suas compras e transporte-os num saco térmico e isolado.
- Coloque os alimentos congelados imediatamente no congelador depois de voltar da loja.
- Se os alimentos tiverem descongelado, mesmo que parcialmente, não os volte a congelar. Consuma-os o mais brevemente possível.
- Respeite a data de validade e a informação de armazenamento na embalagem.

6.5 Validade para o compartimento do congelador

Tipo de alimento	Validade (meses)
Pão	3
Fruta (exceto citrinos)	6 - 12
Legumes	8 - 10
Restos sem carne	1 - 2
Laticínios:	
Manteiga	6 - 9
Queijo mole (por exemplo, mozzarella)	3 - 4
Queijo duro (por exemplo, parmesão, cheddar)	6
Marisco:	
Peixe gordo (por exemplo, salmão, cavala)	2 - 3
Peixe magro (por exemplo, bacalhau, linguado)	4 - 6
Camarão	12
Amêijoas e mexilhões sem casca	3 - 4
Peixe cozinhado	1 - 2
Carne:	
Aves	9 - 12
Vaca	6 - 12
Porco	4 - 6
Borrego	6 - 9
Salsichas	1 - 2
Presunto	1 - 2
Restos com carne	2 - 3


6.6 Sugestões para refrigeração de alimentos frescos

- A regulação de uma boa temperatura que assegura a preservação de alimentos frescos é uma temperatura igual ou inferior a +4°C.
- Tape os alimentos com a embalagem para preservar a sua frescura e aroma.

A regulação de uma temperatura mais alta no interior do aparelho pode levar a uma duração mais curta dos alimentos.

- Utilize sempre recipientes fechados para líquidos e alimentos, para evitar sabores ou aromas no compartimento.
- Para evitar a contaminação cruzada entre alimentos cozinhados e crus, cubra os alimentos cozinhados e separe-os dos crus.
- Recomenda-se que descongele os alimentos no interior do frigorífico.
- Não coloque alimentos quentes no interior do aparelho. Certifique-se de que arrefeceram à temperatura ambiente antes de os inserir.
- Para prevenir desperdício alimentar, o novo abastecimento de alimentos deve ser colocado sempre por trás do antigo.
- Fruta e legumes: limpe cuidadosamente (eliminar a sujidade) e coloque numa gaveta especial (gaveta para legumes).
- Aconselha-se a não manter fruta exótica como bananas, mangas, papaia, etc., no frigorífico.
- Os legumes como tomates, batatas, cebolas e alho não devem ser mantidos no frigorífico.
- Manteiga e queijo: coloque num recipiente hermético ou embale em folha de alumínio ou sacos de polietileno para excluir o máximo de ar possível.
- Garrafas: feche-as com uma tampa e coloque-as na prateleira de garrafas da porta ou (se disponível) noutra prateleira de garrafas.
- Para acelerar o arrefecimento dos artigos, aconselha-se que ative a ventoinha. A ativação de Ventilador permite uma maior homogeneização das temperaturas internas.
- Consulte sempre a data de validade dos produtos para saber quanto tempo os manter.

6.7 Conselhos para a refrigeração de alimentos

- A gaveta de alimentos frescos é a indicada (na placa de características) com .
- Carne (todos os tipos): embale em embalagens adequadas e coloque na prateleira de vidro por cima da gaveta de legumes. A carne conserva-se por 1 ou 2 dias no máximo.

7. CUIDADOS E LIMPEZA



AVISO!

Consulte os capítulos de Segurança.

7.1 Como limpar o interior

Antes de usar o aparelho pela primeira vez, o interior e todos os acessórios interiores devem ser lavados com água morna e sabão neutro, para remover o cheiro típico de um produto novo; secar muito bem.



CUIDADO!

Não usar detergentes, pós abrasivos, cloro ou produtos de limpeza à base de óleos; este tipo de produtos danificam o acabamento.



CUIDADO!

Os acessórios e as peças do aparelho não são adequados para lavagem em máquinas de lavar loiça.



CUIDADO!

Limpe o painel de controlo com um pano húmido. Não utilize detergentes. Após a limpeza, seque o painel de controlo com um pano macio.

7.2 Limpeza periódica

O equipamento tem de ser limpo regularmente:

1. Limpe o interior e os acessórios com água morna e um pouco de detergente neutro.

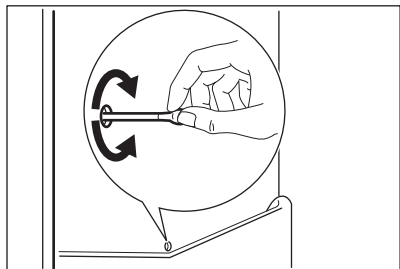
2. Verifique regularmente os vedantes da porta e limpe-os para garantir que estão limpos e sem resíduos.
3. Enxágue e seque cuidadosamente.

7.3 Descongelação do frigorífico

O gelo é eliminado automaticamente do evaporador do compartimento do frigorífico durante a utilização normal. A água da descongelação é escoada através de uma calha para um recipiente especial na parte de trás do aparelho, sobre o compressor do motor, onde evapora.

É importante limpar periodicamente o orifício de escoamento da água da descongelação, a meio do canal do compartimento do frigorífico, para evitar que a água transborde para a comida que se encontra no seu interior.

Para este efeito, utilize o dispositivo de limpeza de tubos fornecido com o aparelho.



7.4 Descongelar o congelador

O compartimento do congelador é do tipo "frost free". Isto significa que não há qualquer formação de gelo durante o seu funcionamento, tanto nas paredes interiores como nos alimentos.

7.5 Instalação e substituição do filtro CleanAir+

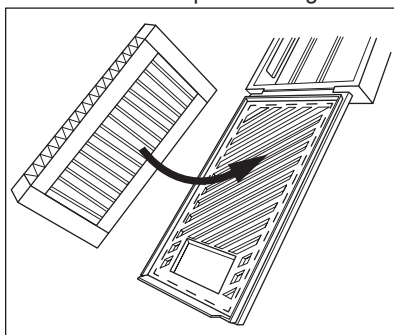
O filtro CleanAir+ é um filtro de carvão ativado que absorve os maus odores e permite-lhe preservar o melhor sabor e aroma para todos os alimentos, sem o risco de contaminação cruzada de odores.

i Manuseie o filtro de ar com cuidado, para evitar riscar a sua superfície.

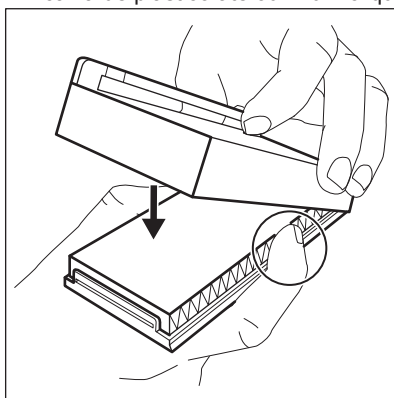
O filtro de ar encontra-se num saco de plástico quando é fornecido, para preservar o desempenho.

Instale o filtro de ar antes de ativar o aparelho.

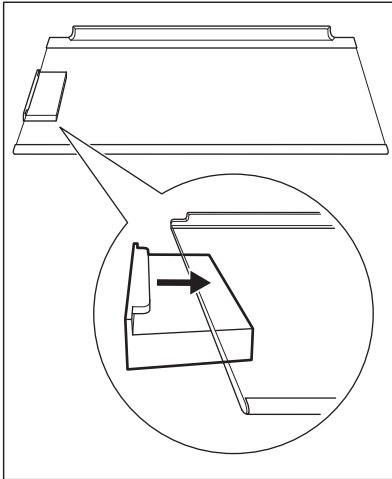
1. Retire o filtro de ar do saco de plástico.
2. Abra a caixa de plástico e coloque a superfície pregueada na grelha, encaixando o filtro dentro da área marcada na superfície da grelha.



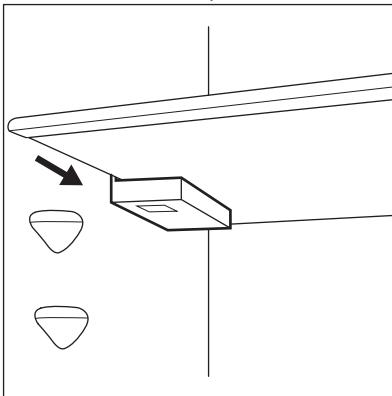
3. Segure o filtro enquanto fecha a caixa de plástico até ouvir um clique.



4. Retire a prateleira de vidro superior do compartimento do frigorífico. Deslize a caixa de plástico com o filtro de ar no lado esquerdo da prateleira de vidro.

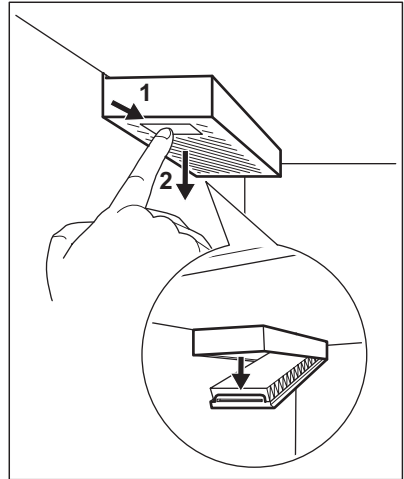


5. Volte a colocar a prateleira de vidro no compartimento do frigorífico. Tenha cuidado para não bater no filtro ao inserir a prateleira de vidro.

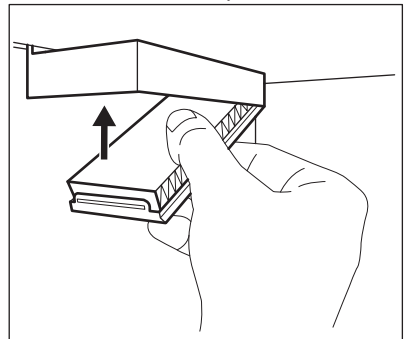


Substituir o filtro de ar

1. Abra a caixa de plástico.



2. Retire o filtro de ar usado.
3. Retire o novo filtro de ar do saco de plástico e insira-o na gaveta.
4. Feche a caixa de plástico.



5. Após a substituição do filtro, prima o botão de alarme Filter Reset no painel de comandos para desligar o alerta.

Para obter o melhor desempenho, coloque a caixa de plástico no local adequado (à esquerda da prateleira de vidro) e substitua o filtro a cada 6 meses. Para obter mais informações consulte "Indicador de mudança do filtro de ar".



O filtro de ar é um acessório consumível e, como tal, não está coberto pela garantia. Pode adquirir novos filtros de ar no seu revendedor local.

7.6 Período de inatividade

Quando não pretender utilizar o aparelho durante bastante tempo, adopte as seguintes precauções:

1. Desligue o aparelho da alimentação elétrica.
2. Retire todos os alimentos.
3. Limpe o aparelho e todos os acessórios.
4. Deixe as portas abertas para evitar cheiros desagradáveis.

8. RESOLUÇÃO DE PROBLEMAS



AVISO!

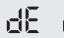

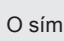

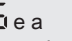
Consulte os capítulos de Segurança.

8.1 O que fazer se...

Problema	Causa possível	Solução
O aparelho não funciona.	O aparelho está desligado.	Ligar o aparelho.
	A ficha elétrica não está corretamente inserida na tomada.	Inserir corretamente a ficha na tomada elétrica.
	Não há tensão na tomada elétrica.	Ligue um aparelho elétrico diferente à tomada elétrica. Contacte um electricista qualificado.
O aparelho emite demasiado ruído.	O aparelho não está apoiado corretamente.	Verifique se o aparelho se mantém estável.
O aviso acústico ou visual está ligado.	O aparelho foi ligado há pouco tempo.	Consulte "Alarme de temperatura alta" ou "Alarme de porta aberta".
	A temperatura no aparelho está demasiado elevada.	Consulte "Alarme de temperatura alta" ou "Alarme de porta aberta".
	A porta está aberta.	Feche a porta.
O compressor funciona continuamente.	A temperatura não está definida corretamente.	Consulte o capítulo "Painel de comandos".
	Há demasiados alimentos guardados ao mesmo tempo.	Aguardar algumas horas e verificar novamente a temperatura.
	A temperatura ambiente está demasiado elevada.	Consulte o capítulo "Instalação".
	Os alimentos guardados no aparelho estavam demasiado quentes.	Deixar os alimentos arrefecer até à temperatura ambiente antes de os guardar.

Problema	Causa possível	Solução
	A porta não fecha bem.	Consulte a secção "Fechar a porta".
	A função Extra Freeze está ligada.	Consultar a secção "Função Extra Freeze".
	A função Extra Cool está ligada.	Consultar a secção "Função Extra Cool".
O compressor não arranca imediatamente após o botão "Extra Freeze" ou "Extra Cool" ser premido ou após uma alteração da regulação de temperatura.	O compressor começa a funcionar passado algum tempo.	Isto é normal e não ocorreu qualquer erro.
A porta está desnivelada ou interfere com a grelha de ventilação.	O aparelho não está nivelado.	Consulte as instruções de instalação.
A porta não abre facilmente.	Tentou reabrir a porta imediatamente após a fechar.	Aguardar alguns segundos depois de fechar antes de reabrir a porta.
A lâmpada não funciona.	A lâmpada está em modo de espera.	Fechar e abrir a porta.
	A luz está avariada.	Contactar o Centro de Assistência Técnica Autorizado mais próximo.
Demasiado gelo.	A porta não está bem fechada.	Consulte a secção "Fechar a porta".
	A junta está deformada ou suja.	Consulte a secção "Fechar a porta".
	Os alimentos não estão bem embalados.	Embarcar melhor os alimentos.
	A temperatura não está definida corretamente.	Consulte o capítulo "Painel de comandos".
	O aparelho está totalmente carregado mas regulado para a temperatura mais baixa.	Definir uma temperatura mais alta. Consulte o capítulo "Painel de comandos".
	A temperatura no aparelho está definida demasiado baixa e a temperatura ambiente demasiado alta.	Definir uma temperatura mais alta. Consulte o capítulo "Painel de comandos".

Problema	Causa possível	Solução
Há água a escorrer na placa traseira do frigorífico.	Durante o processo de descongelação automática, o gelo descongela na placa traseira.	Isto está correto.
Existe demasiada água condensada na parede traseira do frigorífico.	A porta foi aberta demasiadas vezes.	Abrir a porta apenas quando é mesmo necessário.
	A porta não fecha totalmente.	Verificar se a porta está totalmente fechada.
	Os alimentos guardados não estão embalados.	Coloque os alimentos em embalagens adequadas antes de os guardar no aparelho.
Há água a escorrer no interior do frigorífico.	Existem alimentos a impedir que a água escorra para o coletor da água.	Verificar se os alimentos não estão a tocar na placa traseira.
	A saída da água está obstruída.	Limpe a saída de água.
Há água a escorrer para o chão.	A saída da água descongelada não está ligada ao tabuleiro de evaporação, por cima do compressor.	Encaixe a saída de água descongelada no tabuleiro de evaporação.
Não é possível definir a temperatura.	A Extra Freeze função ou Extra Cool está ativada.	Desative a função Extra Freeze ou a função Extra Cool manualmente ou aguarde que a função se desative automaticamente para regular a temperatura. Consulte a secção da "função Extra Freeze" ou da "função Extra Cool".
A temperatura no aparelho está demasiado baixa/alta.	A temperatura não está definida corretamente.	Definir uma temperatura mais baixa/alta.
	A porta não está bem fechada.	Consulte a secção "Fechar a porta".
	A temperatura dos alimentos é muito alta.	Deixar arrefecer a temperatura dos alimentos até à temperatura ambiente antes de os guardar.
	Demasiados alimentos guardados ao mesmo tempo.	Guardar menos alimentos ao mesmo tempo.

Problema	Causa possível	Solução
	A porta foi aberta muitas vezes.	Abrir a porta apenas se necessário.
	A função Extra Freeze está ligada.	Consultar a secção "Função Extra Freeze".
	A função Extra Cool está ligada.	Consultar a secção "Função Extra Cool".
	Não há circulação de ar frio no aparelho.	Certifique-se de que existe circulação de ar frio no aparelho. Consulte o capítulo "Sugestões e conselhos".
O símbolo  aparece no visor.	O aparelho está em modo de demonstração.	Para sair do modo de demonstração, prima sem soltar os botões Extra Cool e ECO durante aproximadamente 10 segundos até ouvir 3 sinais sonoros curtos.
O símbolo  aparece e o indicador de alarme acende-se.	Problema de comunicação.	Contacte o Centro de Assistência Técnica Autorizado mais próximo. O sistema de refrigeração irá continuar a manter os produtos alimentares frios, mas a regulação da temperatura não será possível.
O símbolo  ,  ou  e a definição atual aparecem alternadamente a cada 5 segundos e o indicador de alarme acende-se.	Problema no sensor de temperatura.	Contacte o Centro de Assistência Técnica Autorizado mais próximo. O sistema de refrigeração irá continuar a manter os produtos alimentares frios, mas a regulação da temperatura não será possível.

Problema	Causa possível	Solução
O indicador de conectividade fica intermitente a vermelho ou branco durante muito tempo.	Problemas de conectividade.	<p>Certifique-se de que a sua ligação à Internet está a funcionar corretamente. Se a ligação não for restaurada, tente desligar e ligar a ligação sem fios, tanto no aparelho como no ponto de acesso Wi-Fi. Se o problema persistir, efetue uma reinicialização completa da ligação Wi-Fi do aparelho e do procedimento de reinstalação do produto.</p> <p>Se o problema persistir, contacte o Centro de Assistência Técnica Autorizado mais próximo.</p>



Se estes conselhos não resultarem, contacte o Centro de Assistência Técnica Autorizado mais próximo.

8.2 Substituir a lâmpada

O aparelho está equipado com uma luz interior LED de longa duração.

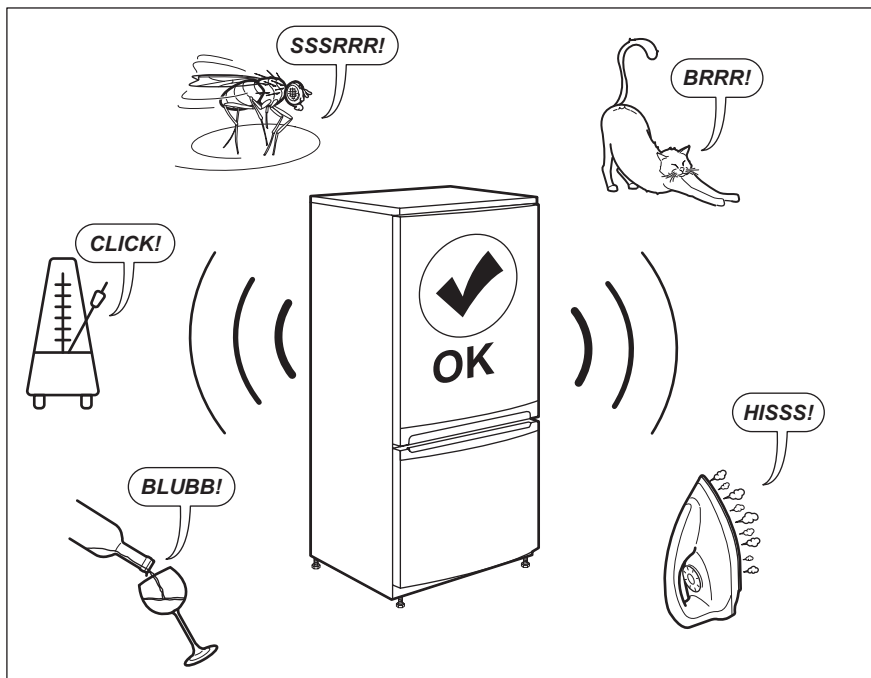
Apenas a assistência técnica pode substituir o dispositivo de iluminação.

Contacte um Centro de Assistência Técnica Autorizado.

8.3 Fechar a porta

1. Limpe as juntas da porta.
2. Se necessário, ajuste a porta. Consulte as instruções de instalação.
3. Se necessário, substitua as juntas da porta defeituosas. Contacte um Centro de Assistência Técnica Autorizado

9. RUÍDOS



10. INFORMAÇÃO TÉCNICA

As informações técnicas encontram-se na placa de características existente no lado interno do aparelho e na etiqueta de energia.

O código QR na etiqueta de energia fornecida com o aparelho disponibiliza-lhe uma ligação da web para a informação relacionada com o desempenho do aparelho na base de dados da EU EPREL. Mantenha a etiqueta de energia para consulta juntamente com o manual do utilizador e

todos os outros documentos disponibilizados com este aparelho.

É também possível encontrar a mesma informação na EPREL utilizando a ligação <https://eprel.ec.europa.eu> e o nome do modelo e o número do produto que encontra na placa de características do aparelho.


Consulte a ligação www.theenergylabel.eu para informação detalhada sobre a etiqueta de energia.


11. INFORMAÇÃO PARA INSTITUTOS DE TESTE

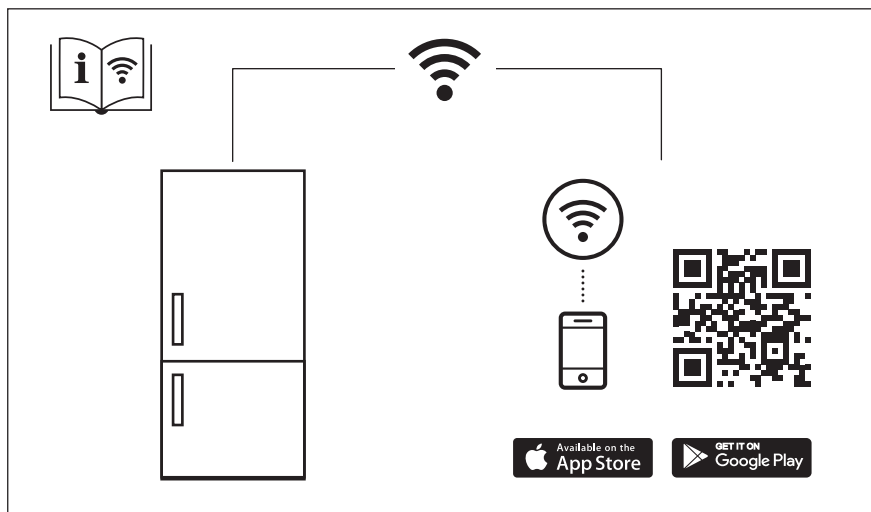
A instalação e preparação do aparelho para qualquer verificação EcoDesign deve estar em conformidade com EN 62552 (EU). Os requisitos de ventilação, dimensões de encaixe e folgas traseiras mínimas deverão ser conforme

declarado neste Manual do Utilizador em "Instalação". Contacte o fabricante para quaisquer informações adicionais, incluindo planos de carga.

12. PREOCUPAÇÕES AMBIENTAIS

Recicle os materiais que apresentem o símbolo . Coloque a embalagem nos contentores indicados para reciclagem. Ajude a proteger o ambiente e a saúde pública através da reciclagem dos aparelhos eléctricos e electrónicos. Não elimine os aparelhos que tenham o

símbolo  juntamente com os resíduos domésticos. Coloque o produto num ponto de recolha para reciclagem local ou contacte as suas autoridades municipais.



The software in this product contains components that are based on free and open source software. AEG gratefully acknowledges the contributions of the open software and robotics communities to the development project.

To access the source code of these free and open source software components whose license conditions require publishing, and to see their full copyright information and applicable license terms, please visit:
<http://aeg.opensoftwarerepository.com> (folder NIUS)