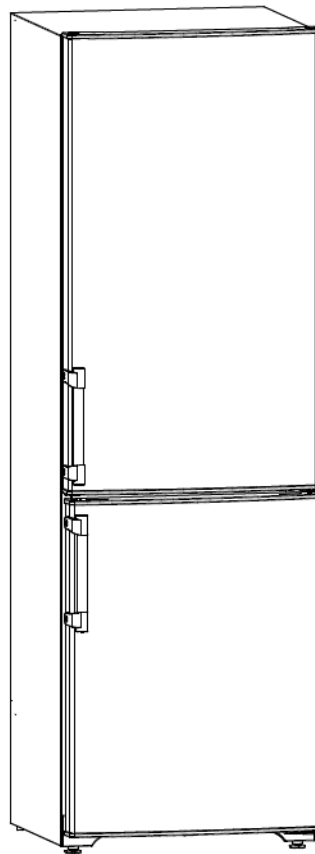


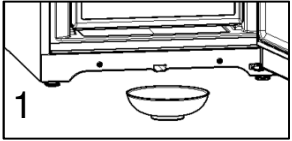
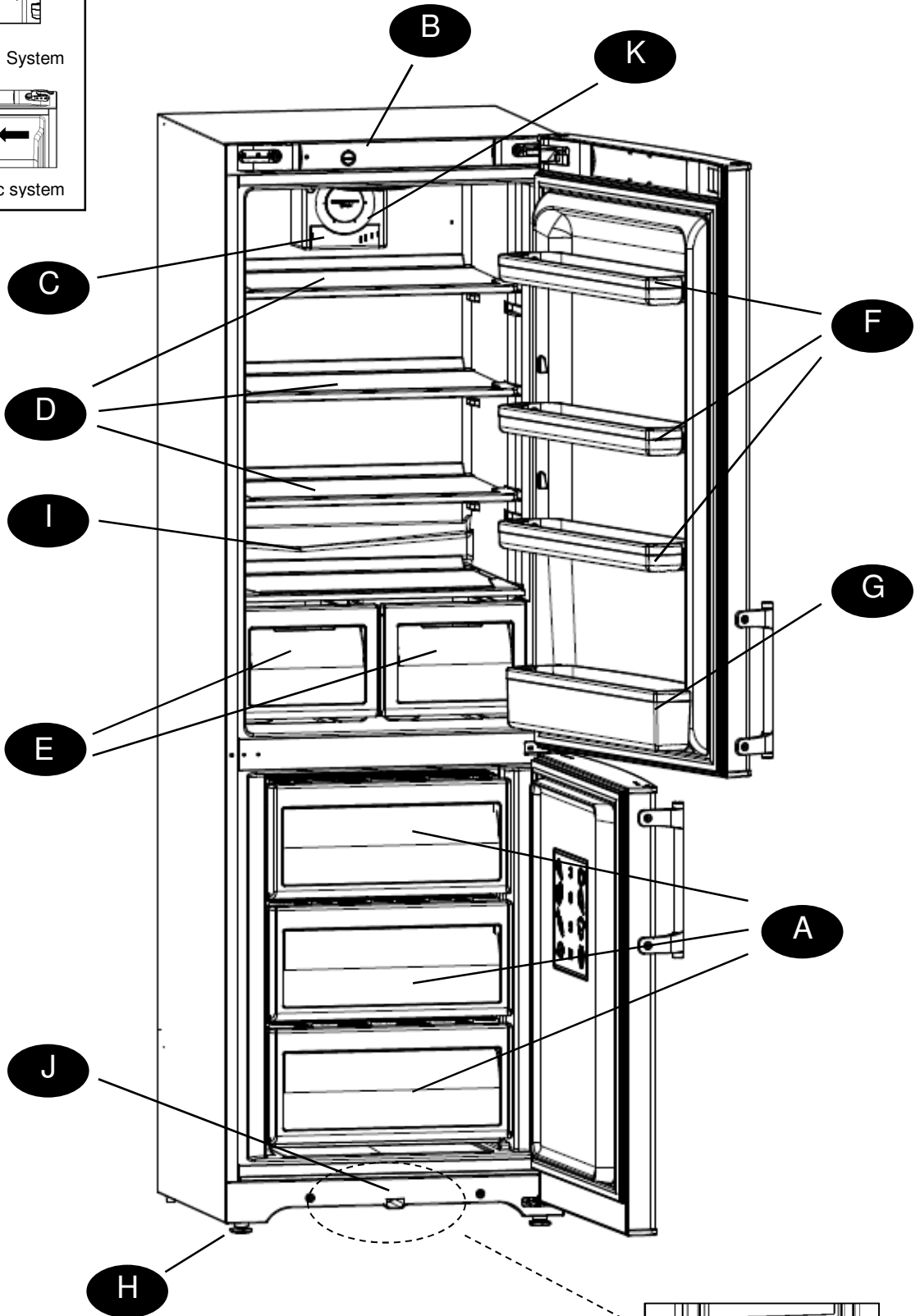
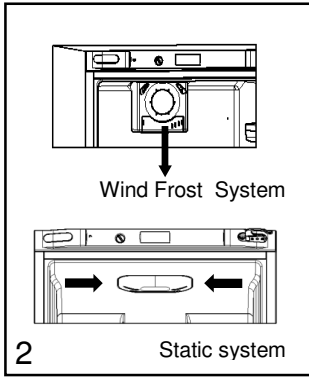
Instruction Manual
Fridge-Freezer

Manual de Instruções
Frigorífico Combinado

Manuel d'Instruction
Réfrigérateur-Congélateur

Manual de Instrucciones
Frigorífico Combinado





WARNING: Read your manual carefully since it contains instructions which will ensure safe installation, use and maintenance of your appliance.

Your refrigerator is built to International safety standards (2006/95/CE).

It also meets the standards on the prevention and elimination of radio interference (2004/108/CE).

- The manufacturer reserves the right to modify the characteristics of the models without prior notice.

- Some models may not have all the accessories indicated.

1. This appliance is designed to be used indoors and under no circumstances should it be installed outside, even if protected by a roof. Leaving the appliance exposed to the rain and whether is exceedingly dangerous.

2. This appliance can be used by children 8 years and older and by persons with reduced physical, sensory or mental capabilities, or by people with lack of experience or knowledge, if they have been given supervision or instruction concerning the safe use of the appliance and understand the dangers involved.

Children should not play with the appliance.

3. Do not attempt to operate or handle this appliance when barefoot, or with wet hands or feet.

4. It is highly recommended that you do not operate this appliance by connecting it to the power supply with extensions or multiple socket plugs. If the refrigerator has been installed between two cabinets, make sure that the supply cord is not dangerously crimped or trapped beneath a heavy object.

5. Never pull the cable or the appliance to remove the plug from the socket; this is exceedingly dangerous.

6. Do not touch the internal cooling elements, especially if your hands are wet, since you could burn or hurt yourself. Do not place ice cubes straight from the freezer into your mouth as this may result in burns.

7. Before doing any cleaning, disconnect the appliance from the electricity (by pulling out the plug or turning off the general switch in your home).

8. Before disposing of your old appliance, remember to break or remove the lock as a safety measure to protect children who might lock themselves inside the appliance when playing. In addition, if the appliance is a new one with a lock, keep the key out of the reach of small children.

9. If your appliance is not operating properly, read the chapter entitled, "Trouble Shooting", which might help you resolve the problem. Do not attempt to repair the appliance by tampering with the internal components.

10. If the power supply cord must be replaced, please note that in some cases, the connections are made using special terminals and in others a special tool must be used to access the connections. This operation should only be performed by an authorized agent.

11. Do not use electric appliances inside the food storage compartments of the appliance, unless they are of the type recommended by the manufacturer.

Do not use mechanical devices or other means to accelerate the defrosting process, other than those recommended by the manufacturer.

12. Do not store explosive substances such as aerosol cans with a flammable propellant in this appliance.

13. This appliance is intended to be used in household and similar applications such as

- Staff kitchen areas in shops, offices and other working environments;

- Farm houses and by clients in hotels, motels and other residential type environments;

- Bed and breakfast type environments;

- Catering and similar non-retail applications

14. At the end of the functional life of your appliance -containing cyclopentane gas in the insulation foam and perhaps R600a gas (isobutane) in the refrigeration circuit - it should be made safe before being sent to the dump. For this operation, please contact your dealer or the Local Organisation in charge of waste disposal.

15. Do not damage the refrigeration circuit.

16. Keep ventilation openings, in the appliance enclosure or in the built-in structure, clear of obstruction.

Installation

To ensure that the appliance operates properly and to reduce energy consumption, it is important that the appliance is installed correctly.

Ventilation

The compressor and condenser generate heat and, therefore, need to be ventilated properly. Rooms with no ventilation are not suited for installation of the appliance. Therefore, it should be installed in a room with an opening (window or French window) that provide the appropriate amount of air re-circulation. It is also important to install it in a free humidity room.

During installation, make sure not to cover or obstruct the grates that allow for proper ventilation of the appliance. For proper ventilation of the appliance, leave a space of at least 10 cm between the sides of the appliance and any adjacent cabinets/walls.

Away from Heat

Avoid positioning the appliance in a place where it is directly exposed to sunlight or near an oven, cook top or the like.

Electrical and Earth Connection

The appliance should not be turned on right after transportation. Two hours is the advised time so that the oil from the motor-compressor gets back to its original position.

Before proceeding with the electrical connection, make sure that the voltage indicated on the rating plate, located inside the appliance, corresponds to the mains voltage in your home and that the socket is fitted with a standard earth wire in accordance with safety standards. If the socket is not fitted with an earth wire, the manufacturer will not be held liability for any damages and or injuries arising out of the use of the appliance. Do not use multiple sockets or adapters.

Position the appliance in such a way that you can access the socket where it is plugged in.

Insufficient power

The electrical socket must be able to handle the maximum power load of the appliance, which is indicated on the rating plate located inside the appliance.

The Appliance

A Freezer Compartments

B Temperature Adjustment Knob Turning the knob will adjust the temperature inside the appliance.

C Internal Light It will light when the door is opened

D Removable Shelves

E Fruit and Vegetable Bin

F Multipurpose shelf

G Bottle shelves

H Regulation feet

I Fridge defrost water discharge hole

J Freezer water discharge hole

K Wind Frost System (not present in some models)

Setting Up The Appliance

Before starting the appliance, follow the installation instructions (see "Installation").

Before connecting the appliance, clean the compartments and accessories with lukewarm water and bicarbonate.

Insert the plug into the socket and ensure that the internal light illuminates.

Turn the temperature adjustment knob "B" to an average value. After a few hours you will be able to put food in the appliance.

NOTICE

Use average temperature settings to ensure optimum performance and to save energy.

Efficient Usage of The Appliance

Using the refrigerator to its full potential

The temperature inside the refrigerator compartment automatically adjusts itself according to the position of the thermostat knob (min-warmest, max-coldest).

Use average temperature settings to ensure optimum performance and to save energy.

Place only cold or lukewarm foods in the compartment, not hot foods.

Remember that cooked foods do not last longer than raw foods. Do not store liquids in open containers. They will increase humidity in the refrigerator and cause condensation to form.

Using the freezer to its full potential

Remember that you should never refreeze products you have allowed to thaw, even if only partially. Once thawed, cook the food, then either eat (within 24 hours) or refreeze it.

For the best storage and thawing, remember to freeze small portions. This will ensure rapid and uniform freezing.

Mark package with a description of the contents and the date it was frozen.

Never freeze more food than that allowed by the maximum freezing capacity indicated on the data plate which is located on the back of the appliance.

Place the food to be frozen into the freezer, making sure that it is not in contact with food that has already been frozen.

In order to increase the space in the freezer it's possible to remove the drawers (except the lowest one), and place the food directly over the evaporator plates.

Avoid opening the freezer door during the freezing process.

In the case of power failure or breakdown, do not open the freezer door. This will help maintain the temperature inside the freezer, ensuring that the goods are conserved for at least 20 hours.

Do not place full bottles in the freezer because liquids increase in volume when they freeze and this could cause the bottles to burst.

Follow the instructions on the packages of frozen foods scrupulously. If none are provided, do not store the food for more than 3 months from the date of purchase.

When purchasing frozen food, make sure that they have been stored at the proper temperature and that the package is properly sealed. If the package is damp on the outside or is abnormally swollen, it is likely that the package was stored at an inadequate temperature and the food has deteriorated. It is best to transport them in appropriate containers to keep them cold and then place them in the freezer immediately.

Energy saving

Install the Appliance Correctly

This means that the appliance should be installed away from sources of heat or direct sunlight, in a well ventilated room.

Correct Temperature Settings

Set the temperature knob to one of the medium settings. Very low temperatures will not only consume a great deal of energy, but will neither improve nor lengthen the storage life of the food.

Shut the Doors

Open your appliance only when strictly necessary – every time you open the door most of the cold air will be lost. In order to

restore the correct temperature, the motor will have to run and consume energy.

Check the Door Seals

Keep the seals clean and pliable so that they fit closely against the door to ensure that no cold air is lost.

Avoid Frost Build-up

Remember to check the freezer for frost. When the frost becomes too thick, defrost the freezer immediately (See, "Maintaining the Appliance").

Maintaining the Appliance

Before doing any cleaning, disconnect the appliance from the electricity (by pulling out the plug or turning off the general switch in your home).

WARNING: do not damage the refrigeration circuit.

Defrosting

It is a good idea to remove the frost build up from the inside of the freezer from time to time.

Make sure not to use pointed metal objects to do so as this could result in piercing the refrigeration circuits, causing irreparable damage to the appliance. Use the plastic scraper provided with the freezer.

To defrost the freezer completely (which should be done once or twice a year), disconnect the appliance from the power supply and leave the door open until all the frost has melted.

The freezer is fitted with a drain "J" to lean the defrost water outside. Let the water flow into a container as explained in diagram 1.

To speed up defrosting, one or more pots of warm water can be placed inside the appliance.

While defrosting the freezer, it is a good idea to wrap the food taken from the freezer in several layers of paper and place it in a cool place. Since the temperature of the frozen food will inevitably rise, it is best to consume it quickly as its storage life will have been shortened.

The refrigerator compartment has an automatic defrosting function: water is ducted to the back of the appliance by a special discharge outlet where the heat produced by the compressor causes it to evaporate. It is necessary to clean the discharge hole "I" regularly so that the water can flow out easily.

Changing the inside lamp bulb

Remember to disconnect the appliance from the electricity!

To change the bulb inside the appliance, remove the bulb cover pressing and pushing the cover, according to diagram 2.

Replace the old bulb with a new one of no higher than 15 W.

Cleaning and Maintenance

The inside of the appliance should be cleaned on a periodic basis. Only use a water and bicarbonate solution to clean the appliance. Do not use abrasive cleaning products, detergents or soap. After the inside has been cleaned, rinse well with clean water and dry carefully.

Once the appliance has been cleaned, turn on the appliance, following the instructions in "Setting Up The Appliance".

When not in use

Should the unit not be used for a long period of time (for example during the summer holidays), disconnect the plug from the mains and leave the door open to avoid the formation of mould and unpleasant odours.

Troubleshooting

The internal light does not illuminate.

Check if:

- The plug has not been inserted into the electrical socket, or not far enough to make contact.
- There is no power in the house

The refrigerator or freezer does not cool well.

Check if:

- The doors do not close properly or the seals are damaged.
- The doors are opened too frequently.
- The temperature adjustment knob is not in the correct position.
- The refrigerator or freezer has been over-filled.
- The atmospheric temperature of the area surrounding the appliance is too low.

The Motor Runs Constantly.

Check if:

- The thermostat is on the right setting.
- The doors do not close properly or the seals are damaged.
- The atmospheric temperature of the area surrounding the appliance is too high.

The Appliance Makes Too Much Noise.

Check if:

- The appliance is levelled.
- The appliance has been installed between cabinets that vibrate and make noise.
- It is the noise made by the refrigerant, which occurs even when the compressor is off (this is not a defect).

Some of the external parts of the appliance become hot.

- These raised temperatures are necessary in order to avoid the formation of condensation on certain parts of the product.

The back wall of the refrigerator unit is covered in frost or droplets of water.

- This shows the appliance operation normally.

If after the checks the appliance still does not operate or the problem persists, call the nearest Service Centre, communicating: type of malfunction, appliance model and serial number. This information can be found on the data plate located inside the appliance.

Never call on unauthorized technicians and always refuse spare parts which are not originals.

ATENÇÃO Leia cuidadosamente este manual, uma vez que ele garante a correcta instalação, utilização e manutenção do seu aparelho.

O seu frigorífico foi desenvolvido de acordo com as Normas Europeias no âmbito da Directiva de Baixa Tensão (2006/95/CE) e da Directiva de Compatibilidade Electromagnética (2004/108/CE).

- Guarde este manual para poder consultá-lo em qualquer momento.

- O fabricante reserva-se o direito de alterar as características dos modelos sem aviso prévio.

- Alguns modelos podem não dispor da totalidade dos acessórios assinalados.

1. Este aparelho não deve ser instalado ao ar livre, mesmo se a área estiver protegida por uma cobertura. É muito perigoso deixá-lo exposto à chuva e intempéries.

2. Este aparelho pode ser utilizado por crianças de 8 anos ou mais e por pessoas com capacidades físicas, sensoriais ou mentais reduzidas, ou por pessoas com falta de experiência ou conhecimento, se tiverem tido formação ou instrução em relação à utilização do aparelho de forma segura e compreenderem os perigos envolvidos.

As crianças não devem brincar com o aparelho.

3. Nunca tocar ou manusear este aparelho com os pés descalços, ou com as mãos ou os pés molhados.

4. Não é aconselhável a utilização de extensões ou fichas múltiplas. Se o frigorífico for instalado entre móveis, verificar se o cabo eléctrico não fica dobrado nem pressionado de forma perigosa.

5. Nunca puxar o cabo de alimentação nem o frigorífico para o soltar da tomada da parede: é muito perigoso.

6. Não tocar nos componentes internos de refrigeração, principalmente com as mãos molhadas, poderá sofrer queimaduras ou ferir-se. Pela mesma razão também não deve colocar na boca cubos de gelo recém retirados do congelador.

7. Não limpar nem efectuar operações de manutenção antes de desligar o aparelho da tomada de electricidade. Não é suficiente colocar o botão regulador de temperatura na

posição desligado para eliminar todos os riscos eléctricos.

8. Antes de se desfazer do seu electrodoméstico velho, retire a eventual fechadura para evitar que crianças a brincar possam ficar trancadas dentro do aparelho.

9. No caso de avaria, leia o capítulo "**Resolução de Problemas**", para verificar se lhe é possível resolver a eventual avaria. Não tente proceder à sua reparação, mexendo nas partes internas do aparelho.

10. No caso de dano, o cabo de alimentação eléctrica do aparelho deve ser substituído. Esta operação deve ser efectuada por um agente autorizado, de forma e evitar um perigo.

11. Não utilize aparelhos eléctricos no interior do frigorífico, exceptuando os recomendados pelo fabricante.

Não utilize aparelhos mecânicos ou quaisquer outros para acelerar o processo de descongelamento, exceptuando os recomendados pelo fabricante.

12. Não armazenar neste aparelho substâncias explosivas tais como aerossóis contendo gases propulsores inflamáveis.

13. Este aparelho deve ser utilizado em aplicações domésticas e análogas tais como:

- Áreas de cozinha reservadas ao pessoal de lojas, oficinas e outros ambientes profissionais,

- Casas de campo e à utilização por clientes de hotéis, motéis e outros ambientes de carácter residencial,

- Ambientes do tipo quarto de hotel,

- À restauração e outras aplicações similares excepto a retalho.

14. No final da vida útil do aparelho - que contém gases inflamáveis, tais como o ciclopentano na espuma de isolamento e possivelmente R600a (isobutano) no circuito de refrigeração, é necessário promover a sua eliminação de acordo com a legislação em vigor (RAEE).

O consumidor deve contactar as entidades locais ou os pontos de venda, para solicitar informação referente á sua entrega para reciclagem.

15. Não danificar o circuito de refrigeração.

16. Manter as aberturas de ventilação do aparelho ou da estrutura de encastre livres de obstruções.

Instalação

Para garantir um bom funcionamento bem como um consumo reduzido de energia, é importante que a instalação seja feita correctamente.

Ventilação

O compressor e o condensador emitem calor, portanto necessitam de boa ventilação. Os ambientes com pouca ventilação não são adequados. O aparelho deve ser instalado num compartimento dotado com uma abertura, tal como uma janela ou uma porta para o exterior por forma a garantir a renovação de ar. O ambiente também não deve ser demasiado húmido. Para garantir um bom funcionamento deve-se deixar uma distância de pelo menos 10 cm entre as suas laterais e móveis ou paredes de fundo.

Afastado do calor

Evite posicionar o aparelho num lugar exposto directamente à luz solar, ao lado de um fogão ou qualquer outra fonte de calor.

Nivelamento

Instale o aparelho sobre um piso plano e rígido. Se o pavimento não for perfeitamente horizontal utilize os pés de nivelamento para ajustar o seu frigorífico.

Ligações Eléctricas e Ligação à Terra

Não deverá colocar o aparelho em funcionamento logo a seguir ao seu transporte. Duas horas é o tempo considerado suficiente para que o óleo do motor-compressor volte à sua situação normal.

Antes de proceder à ligação eléctrica, deve verificar se a tensão indicada na placa de características, corresponde à tensão da instalação eléctrica da casa e se a tomada está equipada com uma ligação à terra standard de acordo com a lei em vigor relativa à segurança das instalações.

Se não existir ligação à terra adequada, o fabricante declinará toda e quaisquer responsabilidades sobre eventuais danos materiais e/ou pessoais em caso de avaria. Não utilizar fichas ou adaptadores múltiplos.

Posicione o aparelho de modo a poder alcançar facilmente a ficha de ligação à tomada eléctrica.

A tomada eléctrica deve ser adequada ao valor da corrente nominal (A) do aparelho, indicada na placa de características colocada no interior do frigorífico.

O Aparelho

A Compartimentos para alimentos congelados

B Regulador de temperatura Ao rodar o selector regula-se a temperatura dentro do frigorífico.

C Luz interna Acende-se automaticamente ao abrir a porta.

D Prateleiras Ajustáveis em altura

E Gavetas para Frutas e Hortaliças

F Prateleira para objectos Extraíveis e reguláveis em altura

G Suporte para garrafas

H Pés de nivelamento

I Furo descarga água do frigorífico

J Furo descarga água do congelador

K Wind Frost System (não existente em alguns modelos)

Como pôr em funcionamento o aparelho

Antes de colocar em funcionamento o aparelho, leia e respeite as secções “Segurança” e “Instalação”.

Antes de ligar o aparelho à rede de alimentação limpe bem os compartimentos e os acessórios conforme descrito na secção “Como mantê-lo em forma”.

Ligue o aparelho à rede de alimentação eléctrica e assegure-se que a lâmpada interna se acende.

Rode o selector de temperatura para uma posição média. Após algumas horas será possível colocar alimentos no frigorífico.

Atenção: Para um melhor e mais económico funcionamento, lembre-se de colocar o selector de regulação da temperatura numa posição média.

Como utilizar melhor

Utilize melhor o frigorífico

- A temperatura no interior do compartimento frigorífico regula-se automaticamente em função da posição do selector “B”.

min = menos frio max = mais frio

- Para um melhor e mais económico funcionamento, coloque o selector de temperatura numa posição média.

- O sistema de refrigeração está colocado na parede traseira do interior do frigorífico. É normal que durante o funcionamento do aparelho esta parede esteja coberta de gelo ou de gotas de água, dependendo se o compressor estiver a trabalhar ou parado. Esta situação é normal e não deve ser motivo de preocupação.

- Se o aparelho estiver regulado para posições de muito frio e a temperatura ambiente for alta, o compressor poderá trabalhar continuamente originando uma camada de gelo excessiva na parede posterior do compartimento frigorífico e consumos elevados. Para o evitar coloque o regulador de temperatura num valor mais baixo.

- Nos aparelhos não ventilados o frio circula de maneira natural, tendo tendência a descer. Utilize assim a cobertura das

gavetas de legumes para colocar os alimentos mais sensíveis, como por exemplo a carne e peixe limpos e os queijos frescos.

- Introduza somente alimentos frios ou à temperatura ambiente.

- Não encha demasiado o aparelho com alimentos, vai dificultar a circulação do frio provocando um aumento do consumo eléctrico.

- Não guarde líquidos em recipientes destapados: poderão provocar aumento de humidade interna com consequente formação de condensações importantes no interior.

Utilize melhor o congelador

- Um alimento descongelado, mesmo se apenas parcialmente, nunca deve voltar a ser congelado: deverá cozinhá-lo para consumi-lo (dentro de 24 horas) ou para congelá-lo novamente.

- Para obter uma congelação e uma sucessiva descongelação ideal é aconselhável dividir os alimentos em pequenas porções, porque deste modo congelam-se rapidamente e de maneira homogénea. Nas confecções indicar o conteúdo e a data de congelação.

- Os alimentos frescos a serem congelados devem ser colocados evitando o seu contacto com alimentos já congelados.
- Nunca congelar uma quantidade superior à capacidade máxima de congelamento indicada na placa das características.
- Durante a congelação evitar abrir a porta do congelador.
- Não abrir a porta do congelador em caso de falta de energia eléctrica ou de avaria, assim adiará o aumento da temperatura no seu interior. Deste modo, os alimentos comprados congelados e os congelados por si conservar-se-ão sem alterações durante cerca de 20 horas.
- Não colocar no congelador garrafas tapadas contendo líquidos: poderão partir-se ou rebentar, porque ao congelar todos os líquidos aumentam de volume.

- Obedecer sempre às instruções apresentadas nas embalagens dos alimentos pré congelados, na ausência das mesmas, não conservá-los mais de 3 meses depois da data de compra. Na compra de produtos pré congelados é preciso certificar-se que os mesmos estejam conservados numa temperatura adequada e que a embalagem esteja intacta. Para manter inalterada a qualidade dos alimentos congelados, é oportuno transportá-los em apropriados recipientes e guardá-los assim que possível dentro do aparelho. Se uma embalagem apresentar marcas de humidade ou estiver inchada de maneira anormal, é provável que tenha sido anteriormente conservada a temperatura inadequada e que o conteúdo entretanto se tenha estragado.

Para ganhar espaço no interior do congelador, pode retirar as gavetas (excepto a inferior) e guardar os alimentos directamente sobre as placas evaporantes.

Conselhos para economizar

- Instalar bem o aparelho

Isto é, longe de fontes de calor, da luz directa do sol, num local bem ventilado.

- O frio correcto

Colocar o selector de regulação da temperatura numa posição média. O excesso de frio, além de consumir muito, não melhora nem prolonga a conservação dos alimentos.

- Fechar a porta

Abriu o aparelho o mínimo de vezes possível, porque cada vez que o abrir, sai de dentro uma grande parte do ar frio. Para restabelecer a temperatura, o motor deve funcionar um longo tempo e consumir muita energia.

Como mantê-lo em forma

Antes de começar as operações de limpeza ou de manutenção lembre-se de desligar o aparelho da rede de alimentação eléctrica (desligar a ficha da tomada ou o interruptor geral do apartamento).

Descongelamento

ATENÇÃO: não danifique o circuito de refrigeração.

É conveniente periodicamente retirar o gelo que se forma nas paredes do congelador. Atenção não utilizar para esta operação objectos metálicos que possam causar furos no circuito refrigerante, com conseqüente dano irreparável para o aparelho, utilize a espátula de plástico fornecida juntamente com o aparelho. Para obter o completo descongelamento do aparelho, desligar o aparelho da rede de alimentação e deixar a porta aberta até que o gelo se derreta completamente. Para acelerar as operações de descongelação, pode-se colocar dentro do congelador um ou mais recipientes com água morna. O congelador está equipado com um sistema de recolha da água da descongelação, utiliza um recipiente conforme indicado na figura 1.

Durante as operações de descongelamento é oportuno enrolar os alimentos conservados em diversas folhas de papel e guardá-los em lugares frescos. Aguarde aproximadamente duas horas antes de introduzir os alimentos no congelador, para permitir o restabelecimento das condições ideais de conservação.

A descongelação do compartimento frigorífico é automática, a água derretida é encaminhada para a parte traseira onde evapora devido à temperatura do compressor. Limpar periodicamente o furo de descarga "I" existente na parede posterior do compartimento frigorífico.

Cuidado com as guarnições

Manter elásticas e limpas as guarnições de borracha que garantem a vedação das portas, só assim não deixarão sair o frio interno.

Gelo no congelador

Controlar a espessura do gelo nas paredes do congelador e efectuar a descongelação se a camada estiver demasiado grossa, excesso de gelo torna mais difícil a transmissão de frio aos alimentos e aumenta o consumo eléctrico.

Limpeza e manutenção especial

A limpeza interna do aparelho deve ser efectuada periodicamente. Depois de ter descongelado o aparelho, empregar bicarbonato de sódio dissolvido em água morna. Evitar sempre a utilização de produtos abrasivos, detergentes ou sabão. Depois da lavagem, enxaguar com água limpa e enxugar com cuidado. Depois de efectuar estas operações, colocar o aparelho novamente em funcionamento, da maneira descrita no parágrafo "Como pôr em funcionamento o congelador".

Substituição da lâmpada

Atenção: desligar previamente o cabo de alimentação da tomada.

Para substituir a lâmpada de iluminação interna deve retirar a cobertura da lâmpada situada no interior apertando-a lateralmente conforme indicado na figura 2. A lâmpada deverá ter uma potência não superior a 15 W.

Inactividade prolongada do aparelho

Nos casos em que o aparelho não seja utilizado durante longos períodos (por exemplo durante as férias), é aconselhável desligá-lo da rede de alimentação e deixar a porta aberta para evitar a formação de maus cheiros ou mofo.

Há um problema?

A lâmpada interna não se acende

Verificar se:

- está a faltar electricidade ou a ficha não está bem inserida;
- o interruptor geral da habitação está desligado;

O frigorífico ou congelador refrigeram pouco

Verificar se:

- as portas fecham bem e as guarnições não estão estragadas;
- as portas têm sido abertas muitas vezes;

- o selector de regulação da temperatura está na posição correcta;
- a temperatura ambiente externa é muito baixa;
- o aparelho está demasiadamente cheio.

O motor está a funcionar continuamente.

Verificar se:

- as portas fecham bem e as guarnições não estão estragadas;
- o termostato está na posição correcta;
- a temperatura ambiente externa está muito alta.

Os alimentos congelam-se no frigorífico

Verificar se:

- o regulador do termostato está na posição correcta;
- os alimentos não estão encostados á parede traseira interna do frigorífico.

No fundo do frigorífico há água

Verificar se:

O furo de descarga da água está entupido (veja a secção "Como mantê-lo em forma").

O aparelho faz demasiado ruído.

Verificar se:

- o aparelho está bem nivelado;

- foi instalado entre móveis ou objectos que vibram e fazem ruído;

- o gás refrigerante interno produz um leve ruído, mesmo quando o compressor está parado (isto não é um defeito, é normal).

Algumas partes externas do aparelho estão quentes.

É normal que assim seja pois o aparelho dispõe de um sistema para evitar a formação de condensação no exterior.

A parede do fundo do compartimento frigorífico apresenta gelo ou gotas de água.

É normal que assim seja.

Se, apesar de todos os controlos, o aparelho não funcionar correctamente, chamar o Centro de Assistência Técnica mais próximo, comunicando as seguintes informações: o tipo de avaria, a sigla do modelo (Mod.) e o respectivo número (S/N) escrito na placa de características colocada no interior do frigorífico.

Nunca recorrer a técnicos não autorizados e recusar sempre a instalação de peças sobressalentes não originais.

MISE EN GARDE: Lire attentivement les avertissements contenus dans ce livret car ils fournissent des indications importantes pour la sécurité de l'installation, de l'utilisation et de l'entretien.

Votre réfrigérateur est construit aux normes de sûreté électrique 2006/95/CE.

Il répond également aux normes 2004/108/CE sur la prévention et l'élimination de l'interférence par radio.

- Le Fabricant se réserve le droit de changer les caractéristiques des modèles sans avis préalable.

- Certains modèles peuvent ne pas disposer de la totalité des accessoires signalés.

1. Cet appareil ne doit pas être installé à l'extérieur, même à l'abri d'un appentis, il est extrêmement dangereux de le laisser exposé à la pluie et aux orages.

2. Cet appareil peut être utilisé par des enfants de 8 ans et plus et par des personnes ayant des capacités physiques, sensorielles ou mentales réduites, ou personnes ayant un manque d'expérience ou de connaissance, si ils ont eu formation ou enseignement concernant utilisation de l'appareil en toute sécurité et ils comprennent les risques impliqués.

Les enfants ne devraient pas jouer avec l'appareil.

3. Ne touchez jamais ni ne manœuvrez l'appareil pieds nus ou avec les mains ou les pieds mouillés.

4. Nous déconseillons d'utiliser des rallonges ou des prises multiples. Si le réfrigérateur est installé entre des meubles, veuillez par soucis de sécurité à ce que le cordon d'alimentation ne soit ni plié ni comprimé.

5. Ne tirez jamais sur le cordon ou le réfrigérateur pour débrancher la prise du courant: c'est extrêmement dangereux.

6. Ne touchez pas aux parties internes refroidissant, surtout si vous avez les mains mouillées, pour éviter toute brûlure ou blessure.

7. Ne procédez à aucune opération de nettoyage ou d'entretien sans avoir auparavant débranché l'appareil.

8. Avant d'envoyer votre ancien réfrigérateur à la déchetterie, rendez sa serrure inutilisable. Vous éviterez ainsi que des enfants en jouant,

ne restent enfermés à l'intérieur. De plus, si l'appareil est neuf et muni d'une serrure, veillez à ranger la clef hors d'atteinte des enfants.

9. En cas de panne, consultez le chapitre « Dépannage » pour vérifier si vous pouvez vous-même résoudre le problème.

Ne tentez pas de réparer la panne en essayant d'accéder aux parties internes.

10. Contrôlez le câble périodiquement, pour sons remplacement faites appel à un technicien agréé.

11. Ne pas utiliser d'appareils électriques à l'intérieur du compartiment de conservation des aliments s'ils n'appartiennent pas aux catégories recommandées par le fabricant.

Ne pas utiliser de dispositifs mécaniques ou autres moyens pour accélérer le processus de dégivrage autres que ceux recommandés par le fabricant.

12. Ne pas stocker dans cet appareil des substances explosives telles que des aérosols contenant des gaz propulseurs inflammables.

13. Cet appareil est destiné à être utilisé dans des applications domestiques et analogues telles que:

– les coins cuisines réservés au personnel des magasins, bureaux et autres environnements professionnels;

– les fermes et l'utilisation par les clients des hôtels, motels et autres environnements à caractère résidentiel;

– les environnements de type chambres d'hôtes;

– la restauration et autres applications similaires hormis la vente au détail.

14. Avant d'envoyer votre appareil hors d'usage à la déchetterie, veillez à le rendre sûr car sa mousse isolante contient du gaz cyclopentane et son circuit réfrigérant peut contenir du gaz R600a (isobutane).

Pour cette opération, adressez-vous à votre revendeur ou au Service local prévu à cet effet.

15. N'endommagez pas le circuit de réfrigération.

16. Maintenir dégagées les ouvertures de ventilation dans l'enceinte de l'appareil ou dans la structure d'encastrement.

Installation

Pour garantir le bon fonctionnement de votre appareil tout en réduisant sa consommation d'électricité, il faut qu'il soit installé correctement.

L'aération

Le compresseur et le condenseur produisent de la chaleur et exigent par conséquent une bonne aération. Les pièces mal ventilées sont par conséquent déconseillées. L'appareil doit donc être installé dans une pièce munie d'une ouverture (fenêtre ou porte-fenêtre) qui permette de renouveler l'air et qui ne soit pas trop humide.

Attention, lors de son installation, à ne pas boucher les grilles d'aération de l'appareil.

Pour une bonne aération de l'appareil, il faut prévoir une distance de 10 cm au moins entre les côtés de l'appareil et des meubles ou des murs latéraux.

Loin de toute source de chaleur

Évitez d'installer votre appareil dans un endroit exposé à la lumière directe du soleil ou près d'une cuisinière électrique ou autre.

Mise à niveau

Installez l'appareil sur un sol plat et rigide. Si le sol n'est pas parfaitement horizontal, vissez ou dévissez les pieds avant « H » pour bien niveler l'appareil.

Raccordement électrique et mise à terre

Avant de procéder à tout raccordement électrique, contrôlez si le voltage indiqué sur la plaquette des caractéristiques, placée dans la partie arrière du congélateur, correspond bien à celui de votre installation et contrôlez si la prise est dotée d'une mise à la terre conforme, comme prescrit par la loi 46/90 sur la sécurité des installations. S'il n'y a pas de mise à la terre, le Fabricant décline toute responsabilité. N'utilisez prises multiples ni adaptateurs.

Installez l'appareil de manière à ce que la prise à laquelle il est connecté soit parfaitement accessible.

Puissance insuffisante

La prise électrique doit être en mesure de supporter la charge maximum de puissance de l'appareil, indiquée sur la plaquette des caractéristiques placée à l'intérieur du réfrigérateur.

L'Appareil

- A** Compartiment congélation
- B** Bouton réglage température
- C** Eclairage du compartiment réfrigérateur
- D** Clayette
- E** Bac fruits et légumes
- F** Balconnet amovible

- G** Balconnet bouteilles
- H** Pied Réglable
- I** Trou d'évacuation eau dégivrage réfrigérateur
- J** Trou d'évacuation eau dégivrage congélateur
- K** Wind Frost System (pas présent dans tous les modèles)

Mise en service de l'appareil

Avant de mettre l'appareil en service, suivez bien les instructions sur l'installation (voir « Installation »).

Avant de brancher votre appareil, nettoyez bien les compartiments et les accessoires (voir « Maintien de l'appareil »).

Branchez la prise de courant.

Amenez le bouton d'ajustement de température sur une valeur intermédiaire. En ce moment le réfrigérateur peut être utilisé.

NOTIFICATION

Arrangements de température moyens d'utilisation pour assurer l'exécution optimale et pour économiser de l'énergie.

Utilisation efficace de l'Appareil

Bouts sur la conservation

Pour régler la température, utilisez le bouton de réglage « B ».

N'introduisez que des aliments froids ou à peine tièdes, jamais chauds.

Les aliments cuits ne se conservent pas plus longtemps que les aliments crus.

N'introduisez pas de récipients non fermés contenant des liquides : ces derniers entraîneraient une augmentation de l'humidité et la formation d'eau condensée

Bouts sur la congélation

Rappelez-vous que vous ne devriez jamais recongeler des produits que vous avez laissé décongeler, même si seulement partiellement. Une fois que dégelée, faites cuire la nourriture, puis mangez (dans un délai de 24 heures) ou vous pouvez les congeler.

Bouts sur l'empaquetage

Pour le meilleur stockage et décongeler, rappelez-vous de geler de petites parties. Ceci assurera la congélation rapide et uniforme. Ne gelez jamais plus de nourriture que cela permis par la capacité de congélation maximum indiquée du plat de données qui est situé sur le dos du réfrigérateur. Placez la nourriture à geler dans le congélateur mais pas en contact

avec la nourriture qui a déjà été congelée. Évitez d'ouvrir la porte du congélateur pendant le procédé de congélation.

Attention: N'oubliez pas de changer l'arrangement de la température si vous voulez éviter les gaspillages inutiles d'énergie. Dans le cas de panne ou de la panne de courant, n'ouvrez pas la porte de congélateur. Ceci aidera à maintenir la température à l'intérieur du congélateur, assurant que les marchandises sont conservées pendant au moins 20 heures. Ne placez pas les pleines bouteilles dans le congélateur parce que les liquides augmentent en volume quand ils gèlent et ceci pourrait faire éclater les bouteilles.

Suivez les instructions sur les paquets des aliments surgelés scrupuleusement. Si aucun n'est fourni, ne stockez pas la nourriture pendant plus de 3 mois de la date de l'achat. En achetant les aliments surgelés, assurez-vous qu'ils ont été stockés à la température appropriée et que le paquet est correctement scellé. En achetant les aliments surgelés, transporter les dans des récipients appropriés pour les garder au froid et puis pour les placer dans le congélateur immédiatement. Si le paquet est humide sur l'extérieur ou est anormalement gonflé, il est probable que le paquet ait été stocké à une température insatisfaisante et la nourriture a détérioré.

Economie d'énergie

Installez l'appareil correctement

Ceci signifie que l'appareil devrait être installé loin des sources de chaleur ou lumière du soleil directe, dans une salle bien aérée.

Arrangements de température corrects

Placez le bouton de la température « B » à un des arrangements moyens. Les températures très basses ne consommeront non seulement beaucoup d'énergie, mais ni améliorent ni rallongent la durée de stockage de la nourriture.

Fermez les portes

Ouvrez votre appareil seulement si strictement nécessaire - chaque fois que vous ouvrez la porte plus d'air froid sera perdu. Afin de reconstituer la température correcte, le moteur devra courir et consommer l'énergie.

Vérifiez les joints de porte

Maintenez les joints propres et flexibles de sorte qu'ils s'adaptent étroitement contre la porte pour s'assurer qu'aucun air froid n'est perdu.

Maintien de l'appareil

Avant de faire n'importe quel nettoyage, démontez l'appareil de l'électricité (en retirant la prise ou la rotation outre du commutateur général dans votre maison).

AVERTISSEMENT: n'endommagez pas le circuit de réfrigération.

Dégivrage

Le réfrigérateur est muni d'un système de dégivrage automatique:

L'eau est acheminée vers la paroi arrière par un trou d'évacuation « I » où la chaleur produite par le compresseur la fait évaporer. Il vous suffit de nettoyer périodiquement le trou d'évacuation pour permettre à l'eau de s'écouler normalement.

Congélateur :

Éliminez périodiquement le givre à l'aide de la raclette plastique fournie avec l'appareil. Si la couche de givre dépasse 5mm procédez à un dégivrage manuel :

-Enveloppez vos produits surgelés ou congelés dans du papier et placez-les dans un endroit frais.

-Laissez la porte ouverte jusqu'à ce que le givre fonde complètement, pour accélérer cette opération placez dans le compartiment congélateur des récipients d'eau tiède.

-Laissez l'eau s'écouler dans un récipient (voir figure 1).

-Nettoyez et séchez soigneusement le compartiment congélateur avant de rallumer l'appareil.

Remplacement de l'ampoule d'éclairage

Pour remplacer l'ampoule d'éclairage, débranchez la prise de courant.

Démontez le couvercle de protection (voir figure 2), remplacez-la par une ampoule semblable, dont la puissance doit correspondre à celle indiquée sur le couvercle de protection (15W).

Le nettoyage et l'entretien

Employez seulement une solution de l'eau et de bicarbonate pour nettoyer l'appareil. N'employez pas de produits, de détergents ou de savons abrasifs de nettoyage. Après que l'intérieur soit nettoyé, rincez bien avec de l'eau propre et séchez soigneusement. Une fois que l'appareil a été nettoyé, allumez l'appareil, après les instructions en Installation de l'Appareil.

Pendant inactivité prolongé de l'appareil

Si l'unité n'est pas employée pendant une longue période (par exemple pendant les vacances d'été), débranchez la prise de courant et laissez la porte ouverte pour éviter la formation de moisissure et des odeurs désagréables.

Dépannage

L'éclairage intérieur ne s'allume pas

Vérifiez si:

La prise de courant est branchée ou pas assez enfoncée pour qu'il y ait contact ou bien il y a une coupure de courant.

Le réfrigérateur et le congélateur refroidissent peu

Vérifiez si:

-La porte ne ferme pas bien ou les joints sont abimés.

-Ouverture trop fréquente de la porte.

-La position du bouton de réglage de la température n'est pas correcte.

-Le réfrigérateur est excessivement rempli.

-La température ambiante de travail du produit est très froide.

Les aliments gèlent à l'intérieur du réfrigérateur

Vérifiez si:

-La position du bouton de réglage de la température n'est pas correcte.

Les aliments touchent la paroi arrière

Le Moteur Fonctionne Constamment

Vérifiez si:

-Le thermostat est sur le bon arrangement.

-La température ambiante de travail du produit est très chaude.

L'Appareil Fait Trop de Bruit

Vérifiez si:

-Le réfrigérateur est nivelé.

-L'appareil a été installé entre les coffrets qui vibrent et font le bruit.

-C'est le bruit fait par le réfrigérant, qui se produit même lorsque le compresseur est éteint (ce n'est pas un défaut).

Il y a de l'eau dans le fond du réfrigérateur

Vérifiez si:

-Le trou d'évacuation de l'eau « I » est bouché.

Si, malgré tous ces contrôles, l'appareil ne fonctionne toujours pas et l'inconvénient persiste, faites appel au service après-vente le plus proche de chez vous.

Seguridad

Advertencia: Lea atentamente este manual, ya que asegura la correcta instalación, uso y mantenimiento de su máquina.

Su refrigerador se ha desarrollado de acuerdo con los estándares europeos en la Directiva sobre baja tensión (2006/95/EC) y la Directiva de Compatibilidad Electromagnética (2004/108/CE).

- Conserve este manual con el fin de consultar con él en cualquier momento.

- El fabricante se reserva el derecho de modificar las características de los modelos sin previo aviso.

- Algunos modelos pueden no tener todos los accesorios mencionados.

1. Este dispositivo no debe instalarse al aire libre, incluso si la zona está protegida por una cubierta. Es muy peligroso dejarlo expuesto a la lluvia y el clima.

2. Este aparato puede ser usado por niños de 8 o más años de edad y por personas con menores capacidades físicas, sensoriales o mentales, o por personas con falta de experiencia o conocimiento, si ha sido dado supervisión o instrucción relativa al uso del aparato de forma segura si comprenden los peligros que implica su uso.

Los niños no deben jugar con el aparato.

3. Nunca toque ni manipule el aparato con los pies descalzos, las manos o los pies mojados.

4. No es recomendable utilizar extensiones o enchufes múltiples. Si el refrigerador está instalado entre muebles, compruebe el cable de alimentación no está doblado o presionado peligrosamente.

5. No tire nunca del cable o del refrigerador para liberarla de la toma de corriente, es muy peligroso.

6. No toque los componentes internos de refrigeración, sobre todo con las manos mojadas puede sufrir quemaduras o lesiones. Por la misma razón tampoco se debe poner cubitos de hielo en la boca acaba de sacar del congelador.

7. No limpiar o realizar operaciones de mantenimiento antes de desenchufar el aparato de la toma de corriente

. No es suficiente poner el selector de temperatura en la posición de apagado para eliminar todos los riesgos eléctricos.

8. Antes de deshacerse de su viejo aparato, retire el bloqueo para evitar que los niños que juegan se puede bloquear en su interior.

9. En caso de fallo, lea el capítulo "Solución de problemas" para ver si puede resolver el posible fracaso. No trate de hacer la reparación, tocando las piezas internas del dispositivo.

10. En caso de daño, el cable de alimentación del aparato debe ser reemplazado. Esta operación debe ser realizada por un agente autorizado.

11. No utilice aparatos eléctricos en el interior del frigorífico, excepto los recomendados por el fabricante.

No utilice dispositivos mecánicos para acelerar el proceso de descongelación que no sean los recomendados por el fabricante.

12. No almacene este aparato sustancias explosivas, tales como los aerosoles con propelentes inflamables.

13. Este aparato es para uso en aplicaciones domésticas y similares tales como:

- cocinas reservadas para personal de tiendas, oficinas y otros ambientes profesionales;
- Casas de granja y uso por clientes en hoteles, moteles y otros entornos residenciales;
- Entornos tipo habitación de hotel;
- Restauración y otras aplicaciones similares, excepto venta por menor.

14. Al final de la vida del producto - que contiene gases inflamables, tales como ciclopentano en la espuma aislante y posiblemente R600a (isobutano) en el sistema de refrigeración, es necesario promover la eliminación de acuerdo con la legislación.

Los consumidores deben comunicarse con las autoridades locales o puntos de venta, para solicitar información con respecto a su entrega para reciclaje.

15. No dañe el circuito refrigerante.

16. Mantenga las aperturas de ventilación del aparato o estructura de encastre libres de obstrucciones.

Instalación

Para garantizar el buen funcionamiento y un menor consumo de energía, es importante realizar la instalación correctamente.

Ventilación

El compresor y el condensador emiten calor, por lo tanto necesitan una buena ventilación. Ambientes con poca ventilación no son adecuados. El aparato debe ser instalado en una habitación equipada con una abertura de una ventana o una puerta al exterior para garantizar la renovación de aire. El medio ambiente no debe ser demasiado húmedo. Para garantizar el buen funcionamiento debe dejar una distancia mínima de 10 cm entre los lados y las paredes de fondo o los muebles.

Lejos del calor

Evite colocar la unidad en un lugar expuesto a la luz directa del sol, al lado de una estufa o una fuente de calor.

Nivelación

Instale el aparato sobre un piso plano y rígido.

Si el piso no fuera perfectamente horizontal, compense los desniveles atornillando o desatornillando las patas delanteras.

Cableado y conexión a tierra

Usted no debe poner en funcionamiento el equipo inmediatamente después del transporte. Dos horas es tiempo suficiente para que el retorno del aceite del motor-compresor a su situación normal.

Antes de enchufarlo compruebe que el voltaje indicado en la placa de características corresponde a la tensión de la instalación eléctrica en el hogar, si la toma posee la conexión a tierra y que sea conforme a la ley.

La toma eléctrica debe soportar la corriente nominal (A), indicada en la placa colocada en el interior del refrigerador.

No utilice enchufes o adaptadores.

Una vez instalado el aparato, el cable eléctrico y la toma de corriente deben ser fácilmente accesibles.

El fabricante declina toda responsabilidad en los casos en que no hayan sido respetadas estas normas.

El aparato

- A Compartimiento congelador
- B Regulación de la temperatura
- C Luz Interior
- D Bandejas
- E Cajones para fruta y verdura
- F Balconcito porta objetos

- G Balconcito para botellas
- H Pie de regulación
- I Descarga de agua frigorífico
- J Descarga de agua congelador
- K Wind Frost System (non presente en todos los modelos)

Cómo poner en marcha el aparato

Antes de la puesta en marcha del dispositivo, lea y observe las secciones de "Seguridad" y "Instalación".

Antes de conectar el aparato a la red limpie bien los compartimentos y los accesorios como se describe en "Cómo mantenerse en forma."

Conecte el aparato a la red y asegúrese de que la bombilla se enciende en el interior.

Girar el mando de temperatura hasta un valor medio. Después de unas horas será posible colocar la comida en el frigorífico.

Nota: Para un mejor funcionamiento y más económico, recuerda poner el mando de control de la temperatura en la posición intermedia.

Cómo hacer un mejor uso

Utilice mejor el refrigerador

- La temperatura dentro del frigorífico se regula automáticamente en función de la posición del mando "B".
- Para un mejor funcionamiento y más económica, ajuste el mando de temperatura en la posición intermedia.
- El sistema de refrigeración si encuentra en la parte trasera de la nevera. Es normal que durante el funcionamiento del dispositivo esta pared está cubierta con gotas de hielo o agua, dependiendo de si el compresor está funcionando o detenido. Esto es normal y no debe ser motivo de preocupación.
- Si la unidad está en posición de mucho frío y la temperatura ambiente es alta, el compresor puede trabajar de forma continua causando una capa de hielo sobre la pared posterior del compartimiento del refrigerador y el alto consumo. Para evitar ajuste el mando de temperatura un valor inferior.
- Introduzca los alimentos fríos o a temperatura ambiente.
- No llene demasiado la unidad con los alimentos, impedirá la circulación de frío provoca un aumento en el consumo eléctrico.
- No almacene líquidos en contenedores no cubiertos: puede causar aumento de la humedad interna, con la consiguiente formación de condensación en el interior.

Utilice mejor el congelador

- Un alimento descongelado, aunque sólo sea parcialmente, nunca más debe ser congelado: se debe cocinar para consumir (24 horas).
- Para una congelación ideal es aconsejable dividir la comida en pequeñas porciones, porque de esta manera se puede congelar rápidamente y uniformemente.
- Los alimentos frescos a congelar deben ser colocados evitando su contacto con los alimentos ya congelados.
- Nunca congelar una cantidad superior a la capacidad máxima indicada en las características de congelación.
- Durante la congelación evitar abrir la puerta del congelador.
- No abra la puerta del congelador, en caso de fallas eléctricas o daños, por lo tanto posponer el aumento de la temperatura en el interior. Los alimentos congelados se mantendrán sin cambios durante 20 horas aproximadamente.
- No coloque en el congelador botellas tapadas que contengan líquidos, pueden romperse o estallar debido a la congelación de los líquidos.
- Siga siempre las instrucciones de los paquetes de comida congelada, a falta de ellos, no conservar más de tres meses después de la fecha de compra.

Consejos para ahorrar

- Instale la unidad correctamente
Es decir, lejos de fuentes de calor, de la luz solar directa, en un lugar bien ventilado.
- El frío correcto
Colocar el mando de control de la temperatura en la posición intermedia.

- Cierre la puerta
Abra la unidad lo menos posible, porque cada vez que se abre, sale una gran cantidad de aire frío. Para volver a establecer la temperatura, el motor debe funcionar mucho tiempo.

Mantenimientos e cuidados

Antes de empezar la limpieza o mantenimiento no olvide desenchufar el aparato de la red. No es suficiente llevar el mando para regulación de la temperatura hasta la posición OFF para eliminar todo contacto eléctrico.

Descongelación

PRECAUCIÓN: No estropear el circuito de refrigeración.

Es necesario eliminar periódicamente el hielo que se forma en las paredes del congelador.

ADVERTENCIA No utilice objetos metálicos, puede causar agujeros en el circuito de refrigeración con el consiguiente daño irreparable para el dispositivo, utilice la espátula de plástico suministrada con la unidad.

Para la descongelación, desconecte el cable de alimentación y dejar la puerta abierta hasta que el hielo se derrita completamente. Para acelerar las operaciones de descongelación, se puede colocar en el congelador uno o más recipientes con agua tibia. El agua se recoge en un recipiente, como se muestra en la fig.1.

Durante la operación de descongelación envolver los alimentos adecuados almacenados en varias hojas de papel y guardarlos en lugares frescos.

Antes de introducir los alimentos en el compartimento congelador, esperar aproximadamente 2 horas para que se restablezcan las condiciones óptimas de conservación.

Descongelación del compartimento frigorífico es automática, el agua derretida se dirige a la parte trasera, donde se evapora

debido a la temperatura del compresor. Limpiar el agujero de descarga periódicamente "I" existe en la pared posterior del compartimento frigorífico.

Hielo en el congelador

Controlar el espesor del hielo en las paredes del congelador, demasiado hielo aumenta el consumo de energía.

Limpieza y mantenimiento especiales

La limpieza interna del aparato debe llevarse a cabo periódicamente. Después de descongelar el aparato, el uso de bicarbonato de sodio disuelto en agua tibia es adecuado. Evite siempre el uso de abrasivos, detergentes o jabón. Después del lavado, enjuague con agua limpia y seque con cuidado. Después de realizar estas operaciones, poner la unidad nuevamente en funcionamiento.

Sustitución de la bombilla

Nota: no olvide desenchufar el aparato de la red.

Para sustituir la bombilla de luz en el interior, eliminar la protección situada en el interior empujando hacia un lado como se muestra en la figura 2. La lámpara debe tener una potencia no superior a 15 W.

Inactividad prolongada del dispositivo

En los casos en que el dispositivo no se utiliza durante largos períodos de tiempo (por ejemplo, durante las vacaciones), se recomienda desconectarlo de la red y dejar la puerta abierta para evitar la formación de malos olores o moho.

Hay un problema?

La lámpara no se enciende por dentro con la puerta abierta

Compruebe que:

- En la casa no hay corriente o el enchufe no está bien introducido en la toma de corriente;
- El mando de regulación de la temperatura está en la posición "0" o "OFF";

El refrigerador y el congelador se enfrían poco

Compruebe que:

- Las puertas se cierran herméticamente y las juntas no están dañados;
- Las puertas se han abierto muchas veces;
- El mando de control de temperatura está en la posición correcta;
- La temperatura exterior es muy baja;
- El aparato está demasiado lleno.

El motor está funcionando de forma continua.

Compruebe que:

- Las puertas se cierran herméticamente y las juntas no están dañados;
- Las puertas se han abierto muchas veces;
- El espesor de la escarcha en el congelador supera los 2-3 mm;
- El mando termostato está en la posición correcta;
- La temperatura ambiente exterior es demasiado alto.

Alimentos congelados en el refrigerador

Compruebe que:

- El mando termostato está en la posición correcta;

- La comida no está en contacto con la pared trasera;

En la parte inferior del frigorífico hay agua

Compruebe que:

El orificio de drenaje de agua "I" no está obstruido (consulte la sección "Cómo mantenerse en forma").

El aparato hace demasiado ruido.

Compruebe que:

- La unidad está bien nivelada;
- Ha sido instalado entre muebles que vibran y hacen ruido;
- El refrigerante interno hace un ligero ruido, incluso cuando el compresor se detiene (esto no es un defecto, es normal).

Algunas piezas del dispositivo externo están calientes. Es normal que así sea ya que el dispositivo tiene un sistema para evitar que se forme condensación en el exterior.

La pared trasera de la nevera tiene gotas de agua y hielo. Es normal que así sea.

Si, a pesar de todos los controles, la unidad no funcionará correctamente, llame al Centro de Servicio más cercano, comunicando la siguiente información: el tipo de fallo, la sigla del modelo (Mod.) y el número correspondiente (S / N) colocado en la placa en el interior del refrigerador.

No recurra a técnicos no autorizados y rechace siempre la instalación de repuestos que no sean originales.

MPPAPMAN6000600