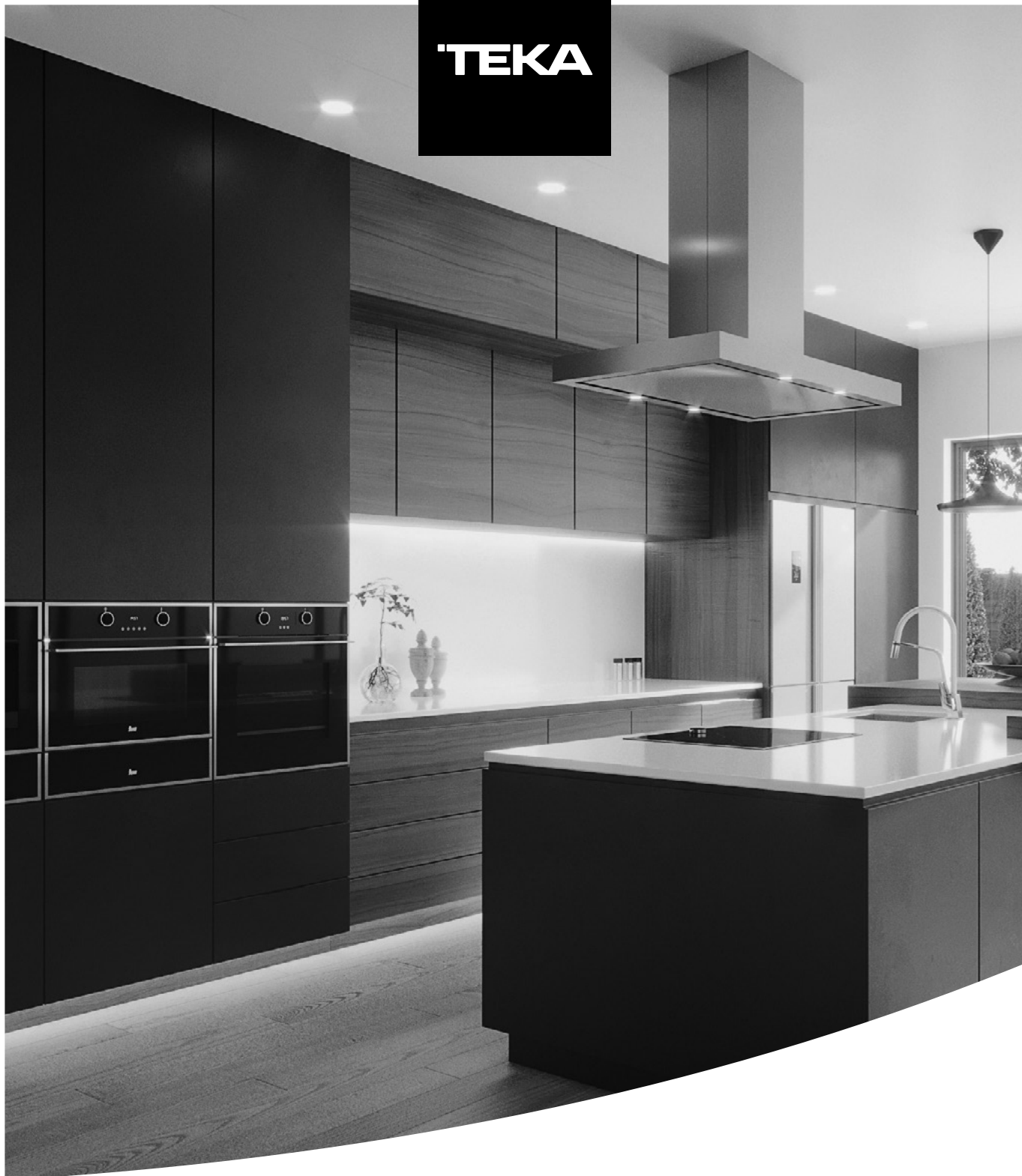


TEKA



User Manual
MS 622 BIS

EN ES PT

www.teka.com

ENGLISH



Before using your oven for the first time, please carefully read the installation and maintenance instructions that come with it.

Depending on the model, the accessories included in your oven may vary from those shown in the pictures.

ESPAÑOL



Por favor, antes de utilizar su horno por primera vez, lea atentamente las instrucciones de instalación y mantenimiento incluidas en su horno.

Dependiendo del modelo, los accesorios incluidos en su horno pueden variar respecto a los mostrados en las imágenes.

PORTUGUÊS



Antes de utilizar o forno pela primeira vez, leia atentamente as instruções de instalação e manutenção fornecidas com o forno.

Dependendo do modelo, os acessórios incluídos no forno podem variar em relação às imagens apresentadas.

Contents

Safety Information	4	Cooking with a microwave oven	19
Children and Vulnerable People Safety.....	4	Cooking with microwaves.....	19
General Safety.....	5	Tables and suggestions – Cooking	
Installation.....	7	vegetables.....	20
Cleaning and Maintenance.....	7	Tables and suggestions – Cooking fish.....	20
Service and Repair.....	8	Cooking with the grill	21
Avoid damaging the oven or other		Table and suggestions – Microwave +	
dangerous situations by following these		Grill.....	21
instructions.....	8	What type of containers may be used?..	22
Advantages of the microwave oven	10	Microwave function.....	22
Microwave oven operating mode.....	10	How to test ovenware you want to use.....	22
Why the food is heated.....	10	Grill function.....	22
Description of the appliance	11	Microwave + Grill.....	22
Description of functions of buttons.....	12	Aluminium containers and foil.....	22
Basic settings	13	Lids.....	23
Setting the clock.....	13	Table – dishware.....	23
Hiding/Displaying the Clock.....	13	Oven Cleaning and Maintenance	24
Safety blocking.....	13	Front surface.....	24
Basic Functions	14	Oven interior.....	24
Microwaves.....	14	Oven ceiling.....	24
Grill.....	14	Accessories.....	24
Microwave + Grill.....	14	Troubleshooting	25
Defrosting by time (manual).....	15	Substitution of light bulb.....	25
Defrosting by weight (automatic).....	15	Technical Features	26
Special functions	15	Specifications.....	26
Special Function.....	15	Environmental protection	26
When the oven is working	16	Installation instructions	26
Altering parameters.....	16	Before installation.....	26
Cancelling a cooking cycle.....	17	After installation.....	27
End of a cooking cycle.....	17	Installation	78
Defrosting	17		
General tips for defrosting.....	18		

Safety Information



Before the installation and use of the appliance, carefully read the supplied instructions. The manufacturer is not responsible if an incorrect installation and use causes injuries and damages. Always keep the instructions with the appliance for future reference.

Children and Vulnerable People Safety

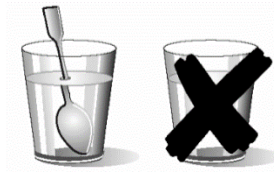
Warning! Risk of suffocation, injury or permanent disability.

- This appliance can be used by children aged from 8 years and above and persons with reduced physical, sensory or mental capabilities or lack of experience and knowledge if they are supervised by an adult or a person who is responsible for their safety.
- Children should be supervised to ensure that they do not play with the appliance.
- Keep all packaging away from children.
- **WARNING:** The appliance and its accessible parts become hot during use. Care should be taken to avoid touching heating elements. Children less than 8 years of age shall be kept away unless continuously supervised.
- **WARNING:** When the appliance is operated in the combination mode, children should only use the oven under adult supervision due to the temperatures generated.
- If the appliance has a child safety device, we recommend that you activate it. Children under 3 years must not be left unsupervised in the vicinity of the appliance.
- Cleaning and user maintenance shall not be made by children without supervision.

General Safety

- This appliance is intended to be used in household applications and not in hotels, shops, offices and other similar environments.
- Internally the appliance becomes hot when in operation. Do not touch the heating elements that are in the appliance. Always use oven gloves to remove or put in accessories or ovenware.
- **WARNING:** Do not heat liquids and other foods in sealed containers. They are liable to explode.
- Only use utensils that are suitable for use in microwave ovens.
- When heating food in plastic or paper containers, keep an eye on the appliance due to the possibility of ignition.
- The appliance is intended for heating food and beverages. Drying of food or clothing and heating of warming pads, slippers, sponges, damp cloth and similar may lead to risk of injury, ignition or fire.
- **Warning!** The oven cannot be used if:
 - The door is not closed correctly;
 - The door hinges are damaged;
 - The surfaces of the contact between the door and the oven front are damaged;
 - The door window glass is damaged;
 - There is frequent electrical arcing inside the oven even though there is no metal object inside.The oven can only be used again after it has been repaired by a Technical Assistance Service technician.
- If smoke is emitted, switch off or unplug the appliance and keep the door closed in order to stifle any flames.

- Microwave heating of beverages can result in delayed eruptive boiling. Care must be taken when handling the container.



- Take care when heating liquids!
When liquids (water, coffee, tea, milk, etc.) are nearly at boiling point inside the oven and are taken out suddenly, they may spurt out of their containers.
DANGER OF INJURIES AND BURNS!
To avoid that type of situation when heating liquids, put a teaspoon or glass rod inside the container.
- The contents of feeding bottles and baby food jars shall be stirred or shaken and the temperature checked before consumption, in order to avoid burns.
- Eggs in their shell and whole hard-boiled eggs should not be heated in the appliance since they may explode, even after microwave heating has ended.
- **Warning!** Do not heat pure alcohol or alcoholic drinks in the microwave. **FIRE RISK!**
- **Beware!** To avoid food overheating or burning it is very important not to select long time periods or power levels that are too high when heating small quantities of food. For example, a bread roll can burn after 3 minutes if the power selected is too high.
- For toasting, use just the grilling function and watch the oven all the time. If you use a combined function to toast bread it will catch fire in a very short time.
- Make sure you never catch the power cables of other electrical appliances in the hot door or the oven. The cable insulation may melt. **Danger of short-circuiting!**

Installation

- The electric system must be equipped with a means for disconnection, with a contact separation in all poles that provides full disconnection under overvoltage category III.
- If a plug is used for the electric connection, then it must be accessible after installation.
- The installation must comply with current regulations.
- Protection against electric shock must be provided by the electrical installation.
- **WARNING!** The oven must be earthed.
- **WARNING!** The appliance is intended to be built in. Please refer to the last pages of this user manual for detailed information on the installation dimensions.

Cleaning and Maintenance

- **WARNING!** Cut the power supply before cleaning and maintenance.
- The appliance should be cleaned regularly and any food deposits removed.
- Failure to maintain the appliance in a clean condition could lead to deterioration of the surface that could adversely affect the life of the appliance and possibly result in a hazardous situation.
- Do not use harsh abrasive cleaners or sharp metal scrapers to clean the glass door since they can scratch the surface, which may result in shattering of the glass.
- Do not use a steam cleaner to clean the appliance.
- The door contact surfaces (the front of the cavity and the inside part of the doors) must be kept very clean in order to ensure the oven functions correctly.
- Please follow the instructions regarding cleaning in the section "Oven Cleaning and Maintenance".

- **WARNING:** Ensure that the appliance is switched off before replacing the lamp to avoid the possibility of electric shock. Please refer to the chapter "CHANGING THE OVEN LIGHT BULB".

Service and Repair

- **WARNING!** Cut the power supply before repair.
- **WARNING!** Only a competent person can carry out any service or repair operation that involves the removal of a cover which gives protection against exposure to microwave energy.
- **WARNING!** If the door or door seals are damaged, the appliance must not be operated until it has been repaired by a competent person.
- If the power cable is damaged it should be substituted by the manufacturer, authorized agents or technicians qualified for this task in order to avoid dangerous situations.
- Repair and maintenance work, especially of current carrying parts, can only be carried out by technicians authorized by the manufacturer.

Avoid damaging the oven or other dangerous situations by following these instructions

- Never switch on the microwave when it is empty. If there is no food inside there may be an electrical overcharge and the oven could be damaged. **RISK OF DAMAGE!**
- For carrying out oven programming tests put a glass of water inside the oven. The water will absorb the microwaves and the oven will not be damaged.
- Do not cover or obstruct the ventilation openings.
- Use only dishes suitable for microwaves. Before using dishes and containers in the microwave, check that these are suitable (see the section on types of dishes).

- Never remove the mica cover on the ceiling of the oven interior! This cover stops fat and pieces of food damaging the microwave generator.
- Do not keep any inflammable object inside the oven as it may burn if the oven is switched on.
- Do not use the oven as a pantry.
- Do not use the oven for frying as it is impossible to control the temperature of oil heated by microwaves.
- The base and the grills can bear a maximum load of 8 kg. To avoid damaging the oven, do not exceed this load.

Advantages of the microwave oven

In a conventional cooker, the heat that is radiated through the resistances or gas burners slowly penetrates the foods from the outside in. Therefore, there is a great loss of energy in heating the air, the oven components and the containers holding the food.

In the microwave, the heat is generated by the foods themselves, i.e. the heat goes from the inside out. There is no loss of heat to the air, the walls of the cavity or the containers (as long as they are microwave-safe containers). This means that only the food is heated.

To sum up, microwave ovens have the following advantages:

1. Savings in cooking time; in general, there is a $\frac{3}{4}$ reduction in time compared to conventional cooking.
2. Ultra fast defrosting of foods, thus reducing the danger of bacteria developing.
3. Energy-saving.
4. Conservation of the nutritional value of foods due to the reduction in cooking time.

Microwave oven operating mode

The microwave oven contains a high voltage valve called a Magnetron, which converts the electrical energy into microwave energy. These electromagnetic waves are channelled towards the inside of the oven by a wave guide and distributed using a metallic disperser or a rotating plate.

Inside the oven, the microwaves are propagated in all directions and reflected by the metallic walls, thus uniformly penetrating the foods.

Why the food is heated

Most foods contain water and the water molecules vibrate with the microwaves.

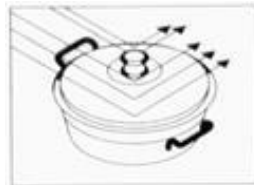
The friction between the molecules generates heat, which raises the temperature of the foods, defrosting or cooking them or keeping them hot.

Because heat is formed inside the foods:

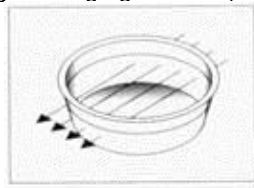
- The foods may be cooked without any liquids or oils, or with very little of these;
- Defrosting, heating or cooking in the microwave oven is faster than in a conventional oven;
- The vitamins, minerals and nutritious substances are conserved;
- Neither the natural colour nor the aroma are altered.

The microwaves go through porcelain, glass, cardboard or plastic, but not through metal. For this reason, metallic containers or containers with metallic parts should not be used in the microwave oven.

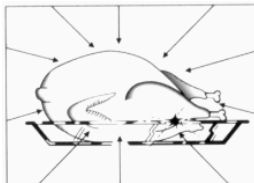
Microwaves are reflected by metal...



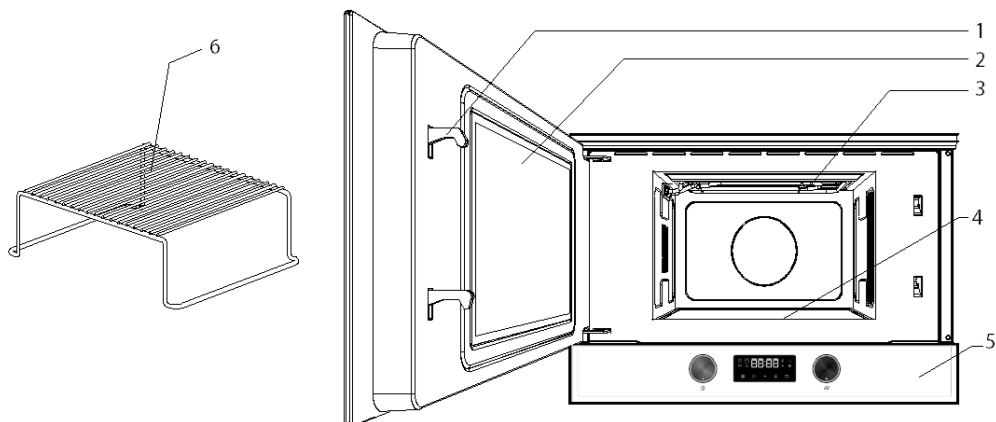
...they go through glass and porcelain...



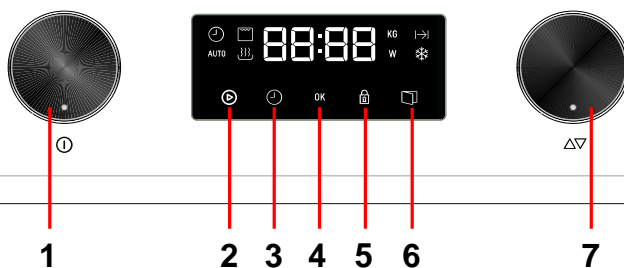
... and are absorbed by the foods.



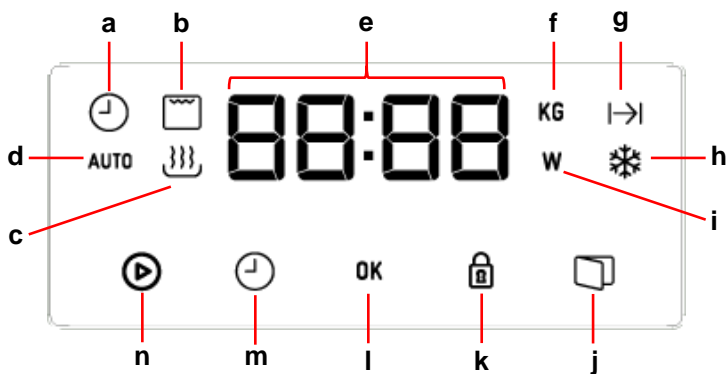
Description of the appliance



- | | |
|----------------------|------------------|
| 1. Catches | 4. Ceramic base |
| 2. Door window glass | 5. Control panel |
| 3. Drop-down grill | 6. Rack |



- | | |
|----------------------------|---------------------|
| 1. Function selection knob | 5. Safety Block key |
| 2. Start/Stop key | 6. Door Open key |
| 3. Clock key | 7. Rotating Knob |
| 4. OK key | |

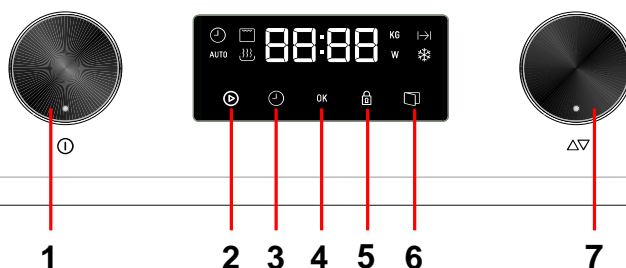


- a** Clock Indicator
- b** Grill Function Indicator
- c** Microwave Function Indicator
- b + c** Grill + Microwave Function Indicator
- d** Special Function Indicator
- e** Display
- f** Defrost by Weight Indicator
- g** Duration Indicator
- h** Defrost by Time Indicator
- i** Power Indicator
- j** Door Open key
- k** Safety Block key
- l** OK key
- m** Clock key
- n** Start/Stop key

Description of functions of buttons

Symbol	Function	Microwave Power Output	Foods
	Microwave	90 W	Slow defrosting for delicate foods; keeping food hot
		180 W	Cooking with little heat; boiling rice Rapid defrosting
		360 W	Melting butter Heating baby food
		600 W	Cooking vegetables and food Cooking and heating carefully, Heating and cooking small portions of food Heating delicate food
		850 W	Cooking and rapidly heating liquids and pre-cooked foods
	Microwave + Grill	90 W	Toasting food
		180 W	Grilling poultry and meat
		360 W	Cooking pies and cheese-topped dishes
	Grill	---	Grilling food

Basic settings



Setting the clock

After your microwave oven is first plugged in or after a power failure, the clock display will flash to indicate that the time shown is not correct. To set the clock, proceed as follows:

1. Press the Clock key (3) when the display is showing the clock. The hour numbers will start to flash.
2. Turn the Rotating Knob (7) to set the correct hour value.
3. Press again the Clock key (3) to set the minutes. The minute numbers will start to flash.
4. Turn the Rotating Knob (7) to set the correct minute value.
5. To finish, press the Clock key (2) again.

Hiding/Displaying the Clock

If the clock display disturbs you, you can hide it by pressing the Clock key (2) for 3 seconds. The dots that separate the hours and minutes will flash but the rest of the clock display will be hidden.

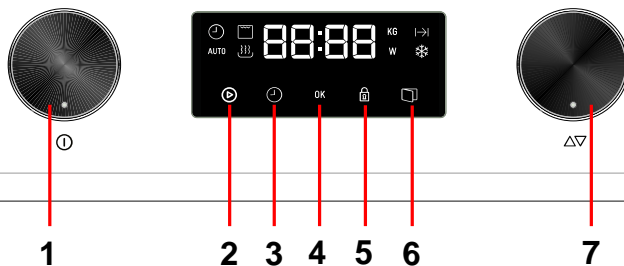
If you want to see the clock display again, press the Clock key (2) again for 3 seconds.

Safety blocking

The oven operation can be blocked (for example, to stop it from being used by children).

1. To block the oven, press the Safety Block key (5) for 3 seconds. You will hear a sound signal and the display will show the symbol "🔑". The oven is blocked in this state and cannot be used.
2. To unblock the oven, press the Safety Block key (5) again for 3 seconds. You will hear a sound signal.

Basic Functions



Microwaves

Use this function to cook and heat vegetables, potatoes, rice, fish and meat.

1. Turn the Function Selector knob (1) until the Microwave function indicator flashes. The display shows 10:00 flashing.
2. Turn the Rotating knob (7) in either direction to set the duration.
3. Press the OK key (4) to validate. The microwaves power value flashes on the display. The microwaves power indicator starts to flash.
4. Turn the Rotating knob (7) in either direction to set the microwaves power level. If you do not turn this knob, the oven operates at 850 W power.
5. Press the OK key (4) to validate.
6. Press the Start/Stop key (2). The oven will start to operate.

NOTE:

The start button may be pressed at anytime in the above sequence and the oven will start the cooking process with the displayed parameters.

Grill

Use this function to brown the top of food quickly.

1. Turn the Function Selector knob (1) until the Grill function indicator flashes. The display shows 10:00 flashing.
2. Turn the Rotating knob (7) in either direction to set the duration.
3. Press the OK key (4) to validate.
4. Press the Start/Stop key (2). The oven will start to operate.

Microwave + Grill

1. Turn the Function Selector knob (1) until the Microwave + Grill function indicator flashes. The display shows 10:00 flashing.
2. Turn the Rotating knob (7) in either direction to set the duration.
3. Press the OK key (4) to validate. The microwaves power value flashes on the display. The microwaves power indicator starts to flash.
4. Turn the Rotating knob (7) in either direction to set the microwaves power level. If you do not turn this knob, the oven operates at 360 W power. The maximum power that can be selected is 360 W.
5. Press the OK key (4) to validate.
6. Press the Start/Stop key (2). The oven will start to operate.

NOTE:

The start button may be pressed at anytime in the above sequence and the oven will start the cooking process with the displayed parameters.

Defrosting by time (manual)

Use this function to defrost any type of food quickly.

1. Turn the Function Selector knob (1) until the Defrost by Time function light flashes. The display shows 10:00 flashing.
2. Turn the Rotating knob (7) in either direction to set the duration.
3. Press the OK key (4) to validate.
4. Press the Start/Stop key (2). The oven will start to operate.
5. Turn the food whenever the oven lets out a beep and the display flashes the word: *turn*.

Defrosting by weight (automatic)

Use this function to defrost meat, poultry, fish, fruit and bread quickly.

1. Turn the Function Selector knob (1) until the Defrost by Weight function light flashes. The display shows the food type "Pr 1" flashing.
2. Turn the Rotating knob (7) in either direction to set the food type. If you do not turn this knob, the oven operates with food type "Pr 1".

3. Press the OK key (4) to validate. The food weight value flashes on the display. The weight indicator starts to flash.
4. Turn the Rotating knob (7) in either direction to set the food weight. If you do not turn this knob, the oven operates 200 g.
5. Press the OK key (4) to validate.
6. Press the Start/Stop key (2). The oven will start to operate.
7. Turn the food whenever the oven lets out a beep and the display flashes the word: *turn*.

The following table shows the defrosting by weight function programmes, indicating weight intervals, and defrosting and standing times (in order to ensure the food is of a uniform temperature).

Prog.	Food	Weight (g)	Time (min)	Standing time (min)
Pr 1	Meat	100 – 2500	3 – 75	20 – 30
Pr 2	Poultry	100 – 2500	3 – 75	20 – 30
Pr 3	Fish	100 – 2500	3 – 83'20	20 – 30
Pr 4	Fruit	100 – 1000	2'37 – 26	10 – 20
Pr 5	Bread	100 – 1500	2'24 – 36'15	10 – 20

Important Note: see "General instructions for defrosting".

Special functions**Special Function "Auto"**

1. Turn the Function Selector knob (1) until the Special Function indicator "Auto" flashes. The display shows the program "P1" flashing.

2. Turn the Rotating knob (7) in either direction to set the program. If you do not turn this knob, the oven operates with program "P1".
3. Press the OK key (4) to validate.

4. Press the Start/Stop key (2). The oven will start to operate.
5. Turn the food whenever the oven lets out a beep and the display flashes the word: E U R N.

The following table shows the available Special Function «Auto» programs:

Program	Food Type	Time (min.)	Instructions
P1	Cook Potatoes	10	Put the potatoes (approx. 500g) with some water in a heat resistant container and place it on the ceramic base in the microwave
P2	Slow boiled/Stewed dishes	19	Place the ingredients to be slow boiled/stewed (e.g. cabbage, chicken stew) in a bowl, cover the bowl and place on the ceramic base.

Important Notes:

- Always use dishes for use in the microwave oven and a lid or cover to avoid loss of liquids.
- Stir or mix the foods several times during heating, especially when the oven emits a beep and the display is flashing as follows: E U R N.
- The time required to heat the food will depend on its initial temperature. Food taken straight from the fridge will take longer to heat up than food that is at

room temperature. If the food temperature is not what is wanted, select a greater or lesser weight next time you heat up the food.

- After heating, stir the food and then leave the food to stand for some time to allow the temperature to become uniform throughout the food.

Warning! After heating the container may be very hot. Although microwaves do not heat up most containers, these may heat up through heat transmission from food.

When the oven is working...

Interrupting a cooking cycle

You can stop the cooking process at any time by pressing the **Start/Stop** key once or by opening the oven door.

In both cases:

- Microwave emission is stopped immediately.
- The grill is de-activated but is still very hot. Danger of burning!
- The timer stops and the **display** shows the remaining amount of operating time.

If you wish, at this time you can:

1. Turn or stir the food to ensure it will be evenly cooked.

2. Change the process parameters.

3. Cancel the process by pressing the **Start/Stop** key for 3 seconds.

To restart the process, close the door and press the **Start/Stop** key.

Altering parameters

The operating parameters (time and temperature) can only be altered when the cooking process has been interrupted by proceeding as follows:

To alter the time, turn the rotating knob. The new time defined is immediately valid.

Power can only be modified when the cooking process has been interrupted. Proceed as follows:

- Press Start/Stop key (2). The oven stops working;
- Press OK key (4), until the display flashes;
- Turn the Rotating knob (7) to set the new power value,
- Press again the OK key (4) to confirm;
- Press the Start/Stop key (2). The oven will restart to operate.

Cancelling a cooking cycle

If you wish to cancel the cooking process, press the **Start/Stop** key for 3 seconds.

You will then hear a beep and the time will appear on the **display**.

End of a cooking cycle

At the end of the process you will hear three beeps and the display will show the word **“End”**.

The beeps are repeated every 30 seconds until the door is opened or the **Start/Stop** key is pressed.

Defrosting

The table below shows different defrosting and standing times (in order to ensure the food temperature is evenly distributed) for

different types and weights of food, plus recommendations.

Food	Weight	Defrosting Time	Resting time	Comment
Pieces of meat, veal, beef, pork	100 g	3-4 min	5-10 min	Turn once
	200 g	6-7 min	5-10 min	Turn once
	500 g	14-15 min	10-15 min	Turn twice
	700 g	20-21 min	20-25 min	Turn twice
	1000 g	29-30 min	25-30 min	Turn twice
	1500 g	42-45 min	30-35 min	Turn three times
Stewed meat	500 g	12-14 min	10-15 min	Turn twice
	1000 g	24-25 min	25-30 min	Turn three times
Minced meat	100 g	4-5 min	5-6 min	Turn twice
	300 g	8-9 min	8-10 min	Turn three times
	500 g	12-14 min	15-20 min	Turn once
Sausage	125 g	3-4 min	5-10 min	Turn twice
	250 g	8-9 min	5-10 min	Turn once
	500 g	15-16 min	10-15 min	Turn twice
Poultry, poultry parts	200 g	7-8 min	5-10 min	Turn three times
	500 g	17-18 min	10-15 min	Turn once
Chicken	1000 g	34-35 min	15-20 min	Turn once
	1200 g	39-40 min	15-20 min	Turn once

Food	Weight	Defrosting Time	Resting time	Comment
	1500 g	48-50 min	15-20 min	Turn twice
Fish	100 g	3-4 min	5-10 min	Turn once
	200 g	6-7 min	5-10 min	Turn once
Trout	200 g	6-7 min	5-10 min	Turn twice
Shrimps	100 g	3-4 min	5-10 min	Turn once
	500 g	12-15 min	10-15 min	Turn once
Fruit	200 g	4-5 min	5-8 min	Turn twice
	300 g	8-9 min	10-15 min	Turn once
	500 g	12-14 min	15-20 min	Turn once
Bread	100 g	2-3 min	2-3 min	Turn twice
	200 g	4-5 min	5-6 min	Turn twice
	500 g	10-12 min	8-10 min	Turn twice
	800 g	15-18 min	15-20 min	Turn three times
Butter	250 g	8-10 min	10-15 min	Turn once, keep covered
Cottage cheese	250 g	6-8 min	5-10 min	Turn once, keep covered
Cream	250 g	7-8 min	10-15 min	Remove the lid

General tips for defrosting

1. Only use microwave-safe dishes for defrosting (porcelain, glass, suitable plastic).
2. The tables refer to defrosting of raw foods.
3. The defrosting time depends on the quantity and the height of the food. When freezing foods, prepare for the defrosting process. Distribute the food in parts that match the size of the container.
4. Distribute the food as well as possible inside the microwave. The thickest parts of the fish or the chicken legs should be placed on top. The most delicate parts may be protected using aluminium foil. Important: the aluminium foil should not come in contact with the walls of the cavity, as this could cause an electrical arch.
5. The most dense parts should be turned around several times.
6. Distribute the frozen food in the most uniform manner possible, because the thin, narrow parts defrost fast than the thickest parts at the top.
7. Foods that are rich in fats, such as butter, cottage cheese and cream, should not be entirely defrosted. If they are at room temperature, they will be ready to serve within a few minutes. In the case of deep-frozen cream, if there are little bits of ice, the cream should be whipped before eating.
8. Place poultry on a turn over plate so that the juices may drain more easily.
9. Bread should be wrapped in a napkin so that it does not get too dry.
10. Turn the food at regular intervals.
11. Remove frozen foods from its packaging and do not forget to remove any metal clips. If the containers that are used to keep the foods in the freezer may also be used for heating and cooking, just remove the lid. Otherwise, place the

foods in containers that are suitable for microwave ovens.

12. The liquid that results in the defrosting process, particularly in the case of poultry, should be discarded and under no circumstances should it come in contact with other foods.

13. Bear in mind that a resting period is required in defrosting function, so that the food is totally defrosted. This normally takes between 15 to 20 minutes.

Cooking with a microwave oven

Warning! Read the section “Microwave Safety” before cooking with your microwave.

Follow these recommendations when cooking with your microwave:

- Before heating or cooking foods with peel or **skin** (e.g. apples, tomatoes, potatoes, sausages) **prick them** so that they do not burst. Cut the food up before starting to prepare it.
- Before using a container or dish make sure that it is suitable for microwave use (see the section on types of ovenware).
- When cooking food with very little moisture (e.g. **defrosting bread**, making popcorn, etc.) evaporation is very quick. The oven then works as if it was empty and the food may burn. The oven and the container may be damaged in such a situation. You should therefore set just the cooking time necessary and you must keep a close eye on the cooking process.
- It is not possible to heat large quantities of oil (**frying**) in the microwave.
- Remove **pre-cooked food** from the containers they come in since these are not always heat resistant. Follow the food manufacturer's instructions.
- **If you have several containers**, such as cups, for example, set them out uniformly on the ceramic base.
- Do not close **plastic bags** with metal clips. Use plastic clips instead. Prick

the bags several times so that the steam can escape easily.

- When heating or cooking foods, check that they reach **at least a temperature of 70°C**.
- During cooking, **steam** may form on the oven door window and may start to drip. This situation is normal and may be more noticeable if the room temperature is low. The oven's safe working is not affected by this. After you have finished cooking, clean up the water coming from the condensation
- When heating liquids, use **containers with a wide opening**, so that the steam can evaporate easily.

Prepare the foods as per the instructions and keep in mind the cooking times and power levels indicated in the tables.

Keep in mind that the figures given are only indicative and can vary depending on the initial state, temperature, moisture and type of food. It is advisable to adjust the times and power levels to each situation. Depending on the exact characteristics of the food you may need to increase or shorten the cooking times or increase or decrease the power levels.

Cooking with microwaves...

1. The greater the amount of food, the longer the cooking time. Keep in mind that:
 - Double the quantity » double the time
 - Half the quantity » half the time

2. The lower the temperature, the longer the cooking time.
3. Foods containing a lot of liquid heat up more quickly.
4. Cooking will be more uniform if the food is evenly distributed on the ceramic base. If you put dense foods on the outside part of the ceramic base and less dense ones on the centre of the ceramic base, you can heat up different types of food simultaneously.
5. You can open the oven door at any time. When you do this the oven switches off automatically. The microwave will only start working again when you close the door and press the start key.
6. Foods that are covered require less cooking time and retain their characteristics better. The lids used must let microwaves pass through and have small holes that allow steam to escape.

Tables and suggestions – Cooking vegetables

Food	Quantity (g)	Addition of liquids	Power (Watt)	Time (min.)	Standing Time (min.)	Instructions
Cauliflower	500	100 ml	850	9-11	2-3	Cut into slices.
Broccoli	300	50 ml	850	6-8	2-3	Keep covered.
Mushrooms	250	25 ml	850	6-8	2-3	
Peas & carrots	300	100 ml	850	7-9	2-3	Cut into chunks or slices. Keep covered.
Frozen carrots	250	25 ml	850	8-10	2-3	Peel and cut into equal sized pieces. Keep covered.
Potatoes	250	25 ml	850	5-7	2-3	
Paprika	250	25 ml	850	5-7	2-3	Cut into chunks or slices Keep covered.
Leek	250	50 ml	850	5-7	2-3	
Frozen Brussel sprouts	300	50 ml	850	6-8	2-3	Keep covered.
Sauerkraut	250	25 ml	850	8-10	2-3	Keep covered.

Tables and suggestions – Cooking fish

Food	Quantity (g)	Power (Watt)	Time (min.)	Standing Time (min.)	Instructions
Fish fillets	500	600	10-12	3	Cook covered over. Turn after half of cooking time.
Whole fish	800	850 360	2-3 7-9	2-3	Cook covered over. Turn after half of cooking time. You may wish to cover up the small edges of the fish.

Cooking with the grill

For good results with the grill, use the rack supplied with the oven.

Fit the rack in such a way that it doesn't come into contact with the metal surfaces of the oven cavity since if it does there is a danger of electric arcing which may damage the oven.

IMPORTANT POINTS:

1. When the grill is used for the first time there will be some smoke and a smell coming from the oils used during oven manufacture.
2. The oven door window becomes very hot when the grill is working. **Keep children away.**
3. Heat up the grill beforehand for 2 minutes. Unless indicated otherwise, use the rack.
4. When the grill is operating, the cavity walls and the rack become very hot. You should use oven gloves.
5. If the grill is used for extended period of time it is normal to find that the elements will switch themselves off

temporarily due to the safety thermostat.

6. **Important!** When food is to be grilled or cooked in containers you must check that the container in question is suitable for microwave use. See the section on types of ovenware!
7. When the grill is used it is possible that some splashes of fat may go onto the elements and be burnt. This is a normal situation and does not mean there is any kind of operating fault.

After you have finished cooking, clean the interior and the accessories so that cooking remains do not become encrusted.

Table and suggestions – Microwave + Grill

The microwave + grill function is ideal for cooking quickly and, at the same time, browning foods. Furthermore, you can also grill and cook cheese covered food.

The microwave and the grill work simultaneously. The microwave cooks and the grill toasts.

Food	Quantity (g)	Dish	Power (Watt)	Time (min.)	Standing time (min.)
Cheese topped pasta	500	Low dish	180	17-20	3-5
Cheese topped potatoes	800	Low dish	600	24-28	3-5
Lasagne	approx. 800	Low dish	600	15-20	3-5
Grilled cream cheese	approx. 500	Low dish	180	18-20	3-5
2 fresh chicken legs (grilled)	200 each	Low dish	360	15-20	3-5
Chicken	approx. 1000	Low and wide dish	360	40-45	3-5
Cheese topped onion soup	2 x 200 g cups	Soup bowls	360	4-8	3-5

Before using a dish in the microwave oven make sure that it is suitable for microwave use. Only use dishes or containers that are suitable for microwave use.

The dish to be used in the combined function must be suitable for microwave and grill use. See the section on types of ovenware!

Keep in mind that the figures given are merely indicative and can vary as a function of the initial state, temperature, moisture and type of food.

If the time is not enough to brown the food well, put it under the grill for another 5 or 10 minutes.

Please follow the standing times and don't forget to turn the meat pieces.

Unless indicated to the contrary, use the ceramic base for cooking.

The values given in the tables are valid when the oven cavity is cold (it is not necessary to pre-heat the oven).

What type of containers may be used?

Microwave function

For the microwave function, keep in mind that microwaves are reflected by metal surfaces. Glass, china, clay, plastic, and paper let microwaves pass.

For this reason, **metal pans and dishes or containers with metal parts or decorations cannot be used in the microwave.** Glass ware and clay with **metallic decoration or content** (e.g. lead crystal) cannot be used in microwave ovens.

The **ideal** materials for use in microwave ovens are glass, refractory china or clay, or heat resistant plastic. Very thin, fragile glass or china should only be used for short period of times (e.g. heating).

Hot food transmits heat to the dishes which can become very hot. You should, therefore, always use an **oven glove!**

How to test ovenware you want to use

Put the item you want to use in the oven for 20 seconds at maximum microwave power. After that time, if it is cold and just slightly warm, it is suitable to use. However, if it heats up a lot or causes electric arcing it is not suitable for microwave use.

Grill function

In the case of the grill function, the ovenware must be resistant to temperature of at least 300°C.

Plastic dishes are not suitable for use in the grill.

Microwave + Grill

In the microwave + grill function, the ovenware used must be suitable for use in both the microwave and the grill.

Aluminium containers and foil

Pre-cooked food in aluminium containers or in aluminium foil can be put in the microwave if the following aspects are respected:

- Keep in mind the manufacturer's recommendations written on the packaging.
- The aluminium containers cannot be more than 3 cm high or come in contact with the cavity walls (**minimum distance 3 cm**). Any aluminium lid or top must be removed.
- Put the aluminium container directly on top of the ceramic base. If you use the rack, put the container on a china plate. Never put the container directly on the rack!
- The cooking time is longer because the microwaves only enter the food from the top. If you have any doubts, it is best to use only dishes suitable for microwave use.
- Aluminium foil can be used to reflect microwaves during the defrosting process. Delicate food, such as poultry or minced meat, can be protected from excessive heat by covering the respective extremities/edges.
- **Important:** aluminium foil cannot come into contact with the cavity walls since this may cause electrical arcing.

Lids

We recommend you use glass or plastic lids or cling film since: **ONLY FOR THE MICROWAVE FUNCTION.**

1. They prevent excessive evaporation (especially in very long cooking periods);
2. The cooking process is faster;
3. The food does not go dry;
4. The aroma is preserved.

The lid should have holes or openings so that no pressure develops. Plastic bags must also be opened. Baby feeding bottles or jars with baby food and similar containers can only be heated without their tops / lids otherwise they can burst.

The table below gives you a general idea of what type of ovenware is suitable for each situation.

Table – dishware

Type of dish	Operating mode	Microwave		Grill	Microwave + Grill
		Defrost / heat	Cook		
Glass and porcelain 1) Domestic, non fire-resistant, may be washed in dishwasher		yes	yes	no	no
Glazed ceramic Fire-resistant glass and porcelain		yes	yes	yes	yes
Ceramic, earthenware dishes unglazed glazed without metallic decorations		yes	yes	no	no
Earthenware dishes glazed unglazed		yes no	yes no	no no	no no
Plastic dishes 2) heat-resistant up to 100°C heat-resistant up to 250°C		yes yes	no yes	no no	no no
Plastic films 3) Cling film Cellophane		no yes	no yes	no no	no no
Paper, cardboard, parchment 4)		yes	No	no	no
Metal Aluminium foil Aluminium containers 5) Accessories (grille)		yes no yes	no yes yes	yes yes yes	no yes yes

1. No golden or silver edges and no lead glass.
2. Remember the manufacturer's tips!
3. Do not use metal clips to close the bags. Perforate the bags. Use films only to cover foods.
4. Do not use paper plates.
5. Only shallow aluminium containers without lids. The aluminium must not come into contact with the walls of the cavity

Oven Cleaning and Maintenance

Cleaning is the only maintenance normally required.

Warning! Your microwave oven should be cleaned regularly, with all food remains being removed. If the microwave is not kept clean its surfaces may deteriorate, **reducing the oven's working life and possibly resulting in a dangerous situation.**

Warning! Cleaning should be done with the oven power switched off. Take the plug out of the socket or switch off the oven's power circuit.

Do not use aggressive or abrasive cleaning products, scourers that scratch surfaces or sharp objects, since stains may appear.

Do not use high pressure or steam jet cleaning appliances.

Front surface

Normally you just need to clean the oven with a damp cloth. If it is very dirty, add a few drops of dishwashing liquid to the cleaning water. Afterwards, wipe the oven with a dry cloth.

Immediately remove lime, fat, starch or egg white stains. Corrosion can occur under these stains.

Oven interior

After each time the oven is used, clean the inside walls with a damp cloth since this is the easiest way to remove splashes or spots of food that may have stuck to the inside.

To remove dirt that is harder to shift, use a non-aggressive cleaning product. **Do not use oven sprays or other aggressive or abrasive cleaning products.**

Always keep the door and the oven front very clean to ensure that the door opens and closes properly.

Make sure water does not enter the microwave ventilation holes.

Regularly clean the cavity base, especially after any liquid spillage.

If the oven cavity is very dirty, put a glass of water on the cavity base and switch on the microwave oven for 2 or 3 minutes at maximum power. The steam released will soften the dirt which can then be cleaned easily using a soft cloth.

Unpleasant odours (e.g. after cooking fish) can be eliminated easily. Put a few drops of lemon juice in a cup with water. Put a small spoon in the cup to avoid the water boiling over. Heat the water for 2 to 3 minutes at maximum microwave power.

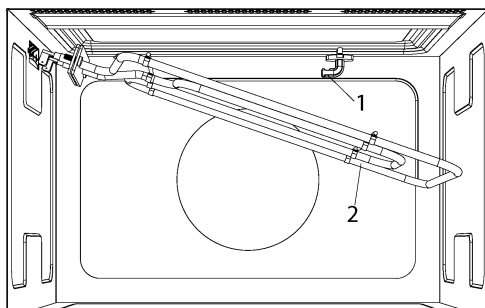
Oven ceiling

If the oven ceiling is dirty, the grill can be lowered to make cleaning easier.

To avoid the danger of burning, wait until the grill is cold before lowering it. Proceed as follows:

1. Turn the grill support by 180° (1)
2. Lower the grill gently (2). Do not use excessive force as this may cause damage.
3. After cleaning the ceiling, put the grill (2) back in its place, carrying out the previous operation.

IMPORTANT WARNING: The grill heating element support (1) may fall when it is rotated. If this happens, insert the grill heating element support (1) into the slot in the ceiling of the cavity and rotate it 90° to the grill heating element support (2) position.



Accessories

Clean the accessories after each use. If they are very dirty, soak them first of all and then

use a brush and sponge. The accessories can be washed in a dish washing machine.

Make sure that the ceramic base and the respective support are always clean. Do not

switch on the oven unless the ceramic base and the respective support are in place.

Troubleshooting

WARNING! Any type of repair must only be done by a specialised technician. Any repair done by a person not authorised by the manufacturer is dangerous.

You do not need to contact Technical Assistance to resolve the following questions:

- **The display is not showing! Check if:**
 - The time indication has been switched off (see section on Basic Settings).
- **Nothing happens when I press the keys! Check if:**
 - The Safety Block is active (see section on Basic Settings).
- **The oven does not work! Check if:**
 - The plug is correctly fitted in the socket.
 - The oven's power is switched on.
 - The door is completely closed. The door should close with an audible click.
 - There are any foreign bodies between the door and the cavity front.
- **When the oven is operating I can hear some strange noises! Check if:**
 - There is an electrical arcing inside the oven caused by foreign metallic objects (see section on type of ovenware).
 - The ovenware is touching the oven walls.
 - There are any loose items of cutlery or cooking tools inside the oven.
- **The food doesn't heat up or heats very slowly! Check if:**

- You have inadvertently used metal ovenware.
- You have selected the correct operating times and power level.
- The food you have put inside the oven is a larger amount or colder than you usually put in.
 - **The food is too hot, dried out or burnt!**
Check if you selected the correct operating time and power level.
 - **I hear some noises after the cooking process is finished!**
This is not a problem. The cooling fan keeps on working for some time. When the temperature has dropped sufficiently, the fan will switch itself off.
 - **The oven switches on but the interior light does not go on!**
If all the functions work properly it is probable that the lamp has blown. You can keep on using the oven.
 - **The display shows "cErr"!**
Disconnect the plug and wait approximately 5 seconds. After that, you can plug in the Microwave again, the "cErr" message disappears and the appliance is fully operational.

Substitution of light bulb

If the light bulb needs substitution call the Technical Assistance since it is necessary to uninstall the oven to replace it.

Technical Features

Specifications

- AC Voltage..... (see rating plate)
- Power required..... 2700 W
- Grill power..... 1250 W
- Microwave output power..... 850 W
- Microwave frequency..... 2450 MHz
- Exterior dimensions (W×H×D). 595 × 390 × 334 mm
- Interior dimensions (W×H×D). 350 × 220 × 280 mm
- Oven capacity..... 22 ltr
- Weight..... 22 kg

Environmental protection

Disposal of the packaging

The packaging bears the Green Point mark.

Dispose of all the packaging materials such as cardboard, expanded polystyrene and plastic wrapping in the appropriate bins. In this way you can be sure that the packaging materials will be re-used.

Disposal of equipment no longer used

According to European Directive 2012/19/EU on the management of waste electrical and electronic equipment (WEEE), home electrical appliances should not be put into the normal systems for disposal of solid urban waste.

Outdated appliances should be collected separately to optimise component material recovery and re-cycling rates and to prevent potential harm to human health and the environment. The symbol of a rubbish container superimposed by a diagonal cross should be put on all such products to remind people of their obligation to have such items collected separately.

Consumers should contact their local authorities or point of sale and request information on the appropriate places to leave their old home electrical appliances.

Before disposing of your appliance, render it non-usable by pulling out the power cable, cutting this and disposing of it.

Installation instructions

Before installation

Check that the input voltage indicated on the characteristics plate is the same as the voltage of the power outlet you are going to use.

Open the oven door and **take out all the accessories** and remove the packing material.

Warning! The front surface of the oven may be wrapped with a **protective film**. Before using the oven for the first time, carefully remove this film, starting on the inside.

Make sure that the oven is not damaged in any way. Check that the oven door closes correctly and that the interior of the door and the front of the oven opening are not damaged. If you find any damage contact the Technical Assistance Service.

DO NOT USE THE OVEN if the power cable or the plug are damaged, if the oven does not function correctly or if it has been damaged or dropped. Contact the Technical Assistance Service.

Put the oven on a flat and stable surface. The oven must not be put close to any sources of heat, radios or televisions.

During installation, make sure that the power cable does not come into contact with any moisture or objects with sharp edges behind the oven. High temperatures can damage the cable.

Warning: after the oven is installed you must make sure you can access the plug.

After installation

The oven is equipped with a power cable and a plug for single phase current.

If the oven is to be installed on a permanent basis it should be installed by a qualified technician. In such a case, the oven should be connected to a circuit with an all-pole circuit breaker with a minimum separation of 3 mm between contacts.

WARNING: THE OVEN MUST BE EARTHED.

The manufacturer and retailers do not accept responsibility for any damage that may be caused to people, animals or property if these installation instructions are not observed.

The oven only functions when the door is closed correctly.

Before the first use, clean the inside of the oven and the accessories, following the cleaning instructions given in the section "Oven cleaning and maintenance".

Índice

Información sobre seguridad	29	Indicaciones generales para la descongelación	43
Seguridad de niños y personas vulnerables	29	Cocinar con microondas	44
SEGURIDAD GENERAL	30	Cocinar con microondas.....	44
Instalación.....	32	Tablas y sugerencias – Cocinar verduras	45
Limpieza y Mantenimiento	32	Tablas y sugerencias – Cocinar pescado	45
Servicio y Reparación	33	Cocinar con Grill	45
Procediendo según las indicaciones siguientes evita daños en el horno y otras situaciones peligrosas.....	34	Tabla y sugerencias – Microondas + Grill	46
Las ventajas de las microondas.....	35	¿Qué tipo de vajilla se puede utilizar?....	47
Modo de funcionamiento del horno microondas	35	Función microondas.....	47
Por qué se calientan los alimentos.....	35	Pruebe la vajilla.....	47
Descripción del horno	36	Función grill	47
Descripción de las Funciones	37	Función microondas + grill	47
Regulaciones base	38	Recipientes y películas de aluminio.....	47
Ajuste del reloj.....	38	Tapas.....	47
Ocultar/Mostrar el Reloj	38	Tabla – Vajilla.....	48
Bloqueo de Seguridad	38	Limpieza y Mantenimiento del horno	49
Funciones Básicas.....	39	Superficie frontal	49
Microondas	39	Interior del horno	49
Grill.....	39	Techo del Horno.....	49
Microondas + Grill.....	39	Accesorios.....	50
Descongelación por tiempo (manual)....	40	¿Qué hacer en caso de fallo de funcionamiento?	50
Descongelación por peso (automático).40	40	La sustitución de la bombilla.....	51
Funciones especiales.....	40	Características técnicas.....	51
Función Especial.....	40	Especificaciones.....	51
Durante el funcionamiento.....	41	Protección medioambiental.....	51
Interrupción de una cocción.....	41	Instrucciones de instalación.....	52
Modificación de los parámetros.....	41	Antes de la instalación.....	52
Cancelar una cocción.....	42	Tras la instalación.....	52
Fin de una cocción.....	42	Instalación	78
Descongelación	42		

Información sobre seguridad



Antes de instalar y utilizar el aparato, lea atentamente las instrucciones facilitadas. El fabricante no se hace responsable de los daños y lesiones causados por una instalación y uso incorrectos. Guarde siempre las instrucciones junto con el aparato para futuras consultas.

Seguridad de niños y personas vulnerables

ADVERTENCIA! Existe riesgo de sufrir asfixia, lesiones o incapacidad permanente.

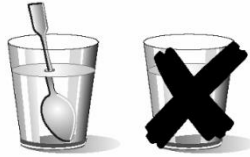
- Este aparato puede ser utilizado por niños de 8 años en adelante y por personas cuyas capacidades físicas, sensoriales o mentales estén disminuidas o que carezcan de la experiencia y conocimientos suficientes para manejarlo, siempre que cuenten con la supervisión de una persona que se responsabilice de su seguridad.
- Los niños deben ser supervisados para asegurarse de que no juegan con el aparato.
- Mantenga los materiales de embalaje alejados de los niños.
- **ADVERTENCIA:** El aparato y sus partes accesibles se calientan durante el uso. Debe tenerse cuidado de no tocar los elementos de calentamiento dentro del horno. Los niños de menos de 8 años de edad deben mantenerse alejados a menos que estén continuamente supervisados.
- **ADVERTENCIA:** Cuando se utiliza el aparato en el modo de combinación, los niños sólo deben utilizar el horno bajo supervisión de un adulto debido a las temperaturas generadas.
- Si el aparato dispone de dispositivo de seguridad para niños, se recomienda activarlo. Los niños menores de 3 años no deben estar sin vigilancia cerca del aparato.

- Evite que un niño lleve a cabo la limpieza y el mantenimiento de usuario sin la supervisión adecuada.

SEGURIDAD GENERAL

- Este aparato está concebido para utilizarse en aplicaciones domésticas y no en hoteles, tiendas, oficinas o sitios similares.
- El aparato se calienta cuando está en funcionamiento. No toque las resistencias del aparato. Utilice siempre guantes de horno cuando introduzca o retire accesorios o utensilios refractarios.
- **ADVERTENCIA:** No caliente líquidos ni otros alimentos en recipientes herméticos, ya que podrían explotar.
- Utilice solamente utensilios aptos para hornos de microondas.
- Cuando caliente alimentos en recipientes de papel o plástico, vigile el aparato por la posibilidad de incendio.
- El aparato está pensado para calentar alimentos y bebidas. Secar alimentos o prendas, o calentar mantas térmicas, zapatillas, esponjas, paños húmedos o similares puede conllevar riesgo de lesiones o incendios.
- **¡Atención!** El horno no puede utilizarse si:
 - La puerta no cierra correctamente;
 - Las bisagras de la puerta están dañadas;
 - Las superficies de contacto entre la puerta y el frente están dañadas;
 - El cristal de la ventana está dañado;
 - Hay frecuentemente arco eléctrico en el interior, sin que haya presencia de ningún objeto de metal.El horno sólo puede volver a ser utilizado después de haber sido reparado por un técnico del Servicio de Asistencia Técnica.

- Si se genera humo, apague o desenchufe el horno y deje la puerta cerrada para sofocar las posibles llamas.
- Las bebidas que se calientan en el microondas pueden romper a hervir bruscamente en contacto con el aire; extreme la precaución cuando manipule los recipientes.



- ¡Cuidado al calentar líquidos!
Cuando los líquidos (agua, café, té, leche, etc.) se encuentran casi a punto de ebullición dentro del horno y se retiran repentinamente, estos pueden ser proyectados hacia fuera del recipiente.
¡PELIGRO DE LESIONES Y QUEMADURAS!
Para evitar este tipo de situaciones, cuando caliente líquidos, coloque una cuchara de té o una varilla de cristal en el recipiente.
- El contenido de los biberones y de los botes de alimentos para bebés se deben remover o agitar y verificar la temperatura, antes de su consumo, a fin de evitar quemaduras.
- Los huevos duros o con cáscara no se deben calentar en el aparato, ya que pueden explotar incluso después de que el microondas termine de calentar.
- No caliente alcohol puro o bebidas alcohólicas en el microondas. ¡RIESGO DE INCENDIO!
- **¡Cuidado!** Para evitar que los alimentos se calienten demasiado o puedan arder, es muy importante no seleccionar períodos de tiempo largos, ni niveles de potencia demasiado elevados, cuando calienta pequeñas cantidades de alimentos. Por ejemplo, un pan puede arder

al cabo de 3 minutos si se ha seleccionado una potencia demasiado alta.

- Para tostar, utilice solamente la función grill y vigile siempre el horno. Si utiliza una función combinada para tostar, el pan se incendia en muy poco tiempo.
- Nunca pille los cables de alimentación de otros aparatos eléctricos en la puerta caliente del horno. El aislamiento del cable puede derretirse. ¡Peligro de cortocircuito!

Instalación

- El sistema eléctrico debe estar equipado con un medio de desconexión, con una separación de contacto en todos los polos que proporcione completa desconexión en la categoría de sobretensión III.
- Si la conexión eléctrica se hace con clavija, entonces esta debe ser accesible después de la instalación.
- La instalación debe cumplir con la normativa vigente.
- La protección contra choques eléctricos tiene que estar garantizada a través de la instalación eléctrica (conexión de tierra).
- ¡Atención! El horno tiene que ser obligatoriamente conectado a tierra.
- **¡ADVERTENCIA!** El aparato está destinado a ser incorporado. Para obtener más información sobre la instalación, consulte el final de este manual del usuario.
- **SOLO CHILE:** El enchufe macho de conexión, debe ser conectado solamente a un enchufe hembra de las mismas características del enchufe macho en materia.

Limpieza y Mantenimiento

- **ADVERTENCIA:** Antes de realizar tareas de limpieza y mantenimiento, corte la corriente eléctrica.

- El aparato se debe limpiar periódicamente y los restos de alimentos se deben eliminar.
- Si no se mantiene limpio el aparato, podría deteriorarse la superficie y afectar negativamente a la vida útil del aparato y posiblemente provocar situaciones de riesgo.
- No utilice limpiadores abrasivos ásperos ni rascadores de metal afilado para limpiar la puerta de cristal si no quiere arañar su superficie, lo que podría hacer que el cristal se hiciese añicos.
- No utilice un limpiador a vapor para limpiar el aparato.
- Las superficies de contacto de la puerta (el frente de la cavidad y la parte interior de la puerta) tienen que mantenerse bastante limpias, de modo a garantizar el correcto funcionamiento.
- Por favor, tenga en cuenta las indicaciones relativas a la limpieza constante en el punto "Limpieza y Mantenimiento del horno".
- **ADVERTENCIA:** Asegúrese de que el aparato esté apagado antes de reemplazar la lámpara para evitar la posibilidad de una descarga eléctrica. Consulte el capítulo "CAMBIO DE LA LÁMPARA DEL HORNO".

Servicio y Reparación

- **ADVERTENCIA:** Antes de realizar tareas de reparación corte la corriente eléctrica.
- **ADVERTENCIA:** Únicamente una persona competente puede realizar tareas de reparación o mantenimiento que impliquen la extracción de la tapa que protege frente a la exposición a la energía de microondas.
- **ADVERTENCIA:** Si la puerta o sus juntas estuvieran dañadas, no utilice el aparato hasta que un técnico cualificado lo haya reparado.

- Si el cable eléctrico sufre algún daño, el fabricante, su servicio técnico autorizado o un profesional tendrán que cambiarlo para evitar riesgos.
- Las reparaciones y mantenimiento, especialmente en piezas bajo tensión, sólo pueden ser efectuadas por técnicos autorizados por el fabricante.

Procediendo según las indicaciones siguientes evita daños en el horno y otras situaciones peligrosas

- No conecte el microondas en vacío. Este puede quedar en sobrecarga y estropearse, en el caso de que no haya alimentos en el interior. ¡RIESGO DE DAÑOS!
- Para efectuar pruebas de programación del horno, coloque un vaso de agua en el interior del horno. El agua absorberá las microondas y el horno no se dañará.
- No tape ni obstruya los orificios de ventilación.
- Utilice solamente vajilla adecuada para microondas. Antes de utilizar vajilla y recipientes en el microondas, compruebe si estos son adecuados (ver capítulo sobre el tipo de vajilla).
- ¡No retire la tapa de mica situada en el techo de la cavidad! Esa tapa evita que las grasas y los pedazos de alimentos dañen el generador de microondas.
- No guarde ningún objeto inflamable en el interior del horno, pues puede arder si lo conecta.
- No use el horno como despensa.
- No use el horno para freír en baño de aceite, pues es imposible controlar la temperatura del aceite bajo la acción de las microondas.
- La base y las parrillas soportan una carga máxima de 8 kg. No exceda esta carga para evitar daños.

Las ventajas de las microondas

En la cocina convencional, el calor radiado por las resistencias o quemadores de gas penetra lentamente en los alimentos, de fuera a dentro. Existe por ello una gran pérdida de energía en el calentamiento del aire, componentes del horno y recipientes.

En el microondas, el calor es generado por los propios alimentos, es decir, el calor pasa del interior al exterior. No existe ninguna pérdida de calor hacia el aire, paredes de la cavidad y recipientes (en el caso de que sean adecuados para hornos microondas), o sea, sólo se calienta el alimento.

En resumen, los hornos microondas presentan las siguientes ventajas:

1. Ahorro de tiempo de cocción; en general reducción de hasta 3/4 del tiempo en relación a la cocción convencional.
2. Descongelación ultrarrápida de alimentos, reduciendo el peligro de desarrollo de bacterias.
3. Ahorro de energía.
4. Conservación del valor nutritivo de los alimentos debido a la reducción del tiempo de cocción.

Modo de funcionamiento del horno microondas

En el horno microondas existe una válvula de alta tensión, llamada magnetrón, que convierte la energía eléctrica en energía de microondas.

Estas ondas electromagnéticas son canalizadas hacia el interior del horno a través de una guía de ondas y distribuidas por un esparcidor metálico o a través de un plato rotativo. Dentro del horno, las microondas se propagan en todos los sentidos y son reflejadas por las paredes metálicas, penetrando uniformemente en los alimentos.

Por qué se calientan los alimentos

La mayor parte de los alimentos contienen agua cuyas moléculas vibran por acción de las microondas.

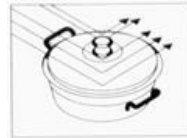
El roce entre moléculas origina calor que eleva la temperatura de los alimentos, descongelándolos, cocinándolos o manteniéndolos calientes.

Como se forma el calor en el interior de los alimentos:

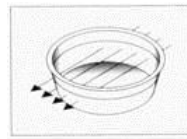
- Estos pueden ser cocinados sin, o con pocos, lípidos o grasas;
- Descongelar, calentar o cocinar en el horno microondas es más rápido que en un horno convencional;
- Se conservan las vitaminas, los minerales y las sustancias nutritivas;
- No se altera el color natural, ni el aroma.

Las microondas pasan a través de porcelana, cristal, cartón o plástico, pero no atraviesan el metal. Por ese motivo, no utilice en el horno de microondas recipientes metálicos o recipientes que tengan partes metálicas.

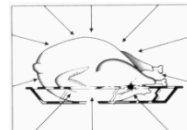
Las microondas son reflejadas por el metal...



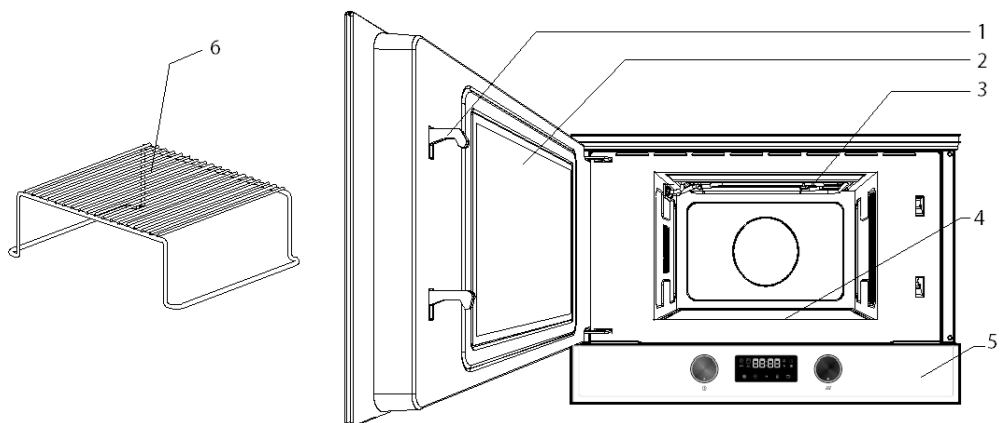
...atraviesan el cristal y la porcelana...



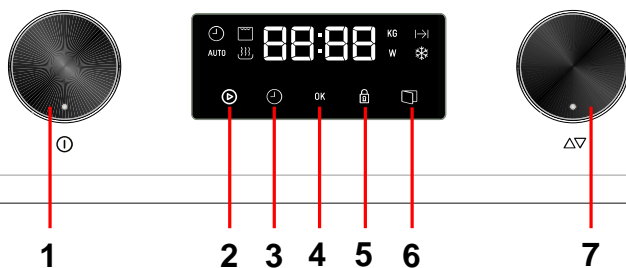
... y son absorbidos por los alimentos.



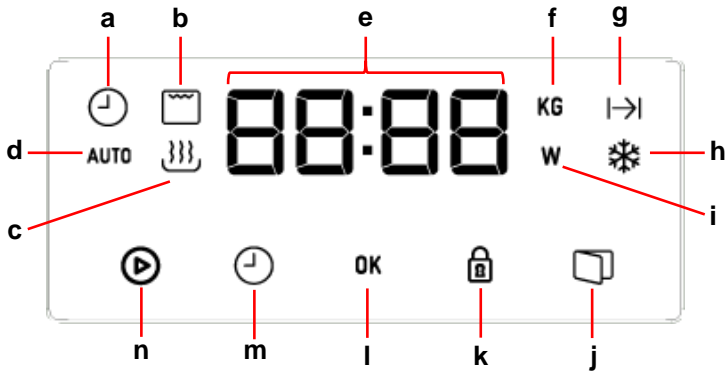
Descripción del horno



- | | |
|-----------------------------------|---------------------|
| 1. Cierres | 4. Base de cerámica |
| 2. Vidrio de ventana de la puerta | 5. Panel de control |
| 3. Grill abatible | 6. Parilla |



- | | |
|-------------------------------------|-------------------------------|
| 1. Mando Selección de función | 5. Tecla Bloqueo de Seguridad |
| 2. Tecla Start/Stop (Inicio/Parada) | 6. Tecla Apertura de puerta |
| 3. Tecla Reloj | 7. Mando Giratorio |
| 4. Tecla OK | |

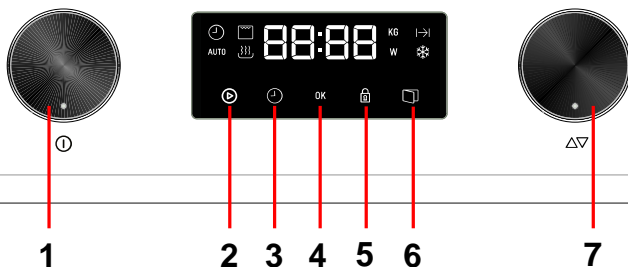


- a** Indicador de Reloj
- b** Indicador de función Grill
- c** Indicador de función Microondas
- b + c** Indicador de función Grill + Microondas
- d** Indicador de funciones especiales
- e** Display (pantalla)
- f** Descongelación por peso
- g** Indicador de Duración
- h** Descongelación por tiempo
- i** Indicador de Potencia
- j** Tecla Apertura de puerta
- k** Tecla Bloqueo de Seguridad
- l** Tecla OK
- m** Tecla Reloj
- n** Tecla Start/Stop (Inicio/Parada)

Descripción de las Funciones

Símbolo	Función	Potencia Salida Microondas	Alimentos
	Microondas	90 W	Descongelación lenta para alimentos delicados; mantener caliente
		180 W	Cocinar con poco calor; rehogar arroz Descongelación rápida
		360 W	Derretir mantequilla Calentar alimento para bebé
		600 W	Cocinar verduras y alimentos Cocinar y calentar cuidadosamente, Calentar y cocinar pequeñas cantidades Calentar alimentos delicados
		850 W	Cocinar y calentar rápidamente líquidos y alimentos precocinados,
	Microondas + Grill	90 W	Gratinar tostadas
		180 W	Gratinar aves y carne
		360 W	Cocinar pasteles de carne y gratinados
	Grill	---	Preparación de rollo de carne

Regulaciones base



Ajuste del reloj

Después de conectar el horno microondas por primera vez o después de un fallo eléctrico, el display del reloj parpadeará, para indicar que la hora no es correcta. Para programar el reloj, siga las siguientes instrucciones:

1. Pulse la tecla Reloj (3) cuando el display esté mostrando el reloj (no necesariamente tras un fallo eléctrico o la primera conexión). Los números de la hora empezarán a parpadear.
2. Gire el mando giratorio (7) para programar la hora correcta.
3. Pulse de nuevo la tecla Reloj (3) para programar los minutos. Los números de los minutos empezarán a parpadear.
4. Gire el mando giratorio (7) para programar los minutos correctos.
5. Para finalizar, pulse la tecla Reloj (3) de nuevo.

Ocultar/Mostrar el Reloj

Si no desea ver la hora en la pantalla le molesta puede ocultarla presionando la tecla del Reloj durante 3 segundos. Los puntos que separan las horas de los minutos que permanecerán parpadeando mientras el reloj está oculto.

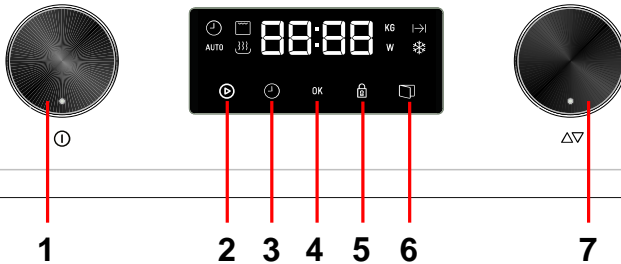
Si desea volver a mostrar el reloj, presione de nuevo la tecla del Reloj durante 3 segundos.

Bloqueo de Seguridad

Se puede bloquear el funcionamiento del horno (por ejemplo, para impedir que los niños lo usen).

1. Para bloquear el horno, pulse la tecla Bloqueo de seguridad (5) durante 3 segundos. Sonará un aviso y el display inferior mostrará el símbolo "🔑". El horno queda bloqueado y no puede usarse.
2. Para desbloquear el horno, pulse de nuevo la tecla Bloqueo de seguridad (5) durante 3 segundos. Sonará un aviso y el display inferior mostrará la hora de nuevo.

Funciones Básicas



Microondas

Utilizar esta función para cocer y calentar verduras, patatas, arroz, pescado y carne.

1. Gire la tecla Selección de función (1) hasta que parpadee el indicador de la función Microondas. En el display se muestra 1:00 parpadeando.
2. Gire el mando giratorio (7) en cualquier dirección para programar la duración.
3. Pulse la tecla OK (4) para validar. El valor de la potencia del microondas parpadea en el display. El indicador de potencia del microondas empieza a parpadear.
4. Gire el mando giratorio (7) en cualquier dirección para programar el nivel de potencia del microondas. Si no gira el mando, el horno funcionará a 850 W.
5. Pulse la tecla OK (4) para validar.
6. Pulse la tecla Start/ Stop (2). El horno empieza a funcionar.

NOTA:

Si se pulsa el botón Inicio durante la secuencia anterior, el horno iniciará el proceso de cocción con los parámetros del display.

Grill

Utilizar esta función para dorar rápidamente la superficie de los alimentos.

1. Gire la tecla Selección de función (1) hasta que parpadee el indicador de la

función Grill. En el display se muestra 10:00 parpadeando.

2. Gire el mando giratorio (7) en cualquier dirección para programar la duración.
3. Pulse la tecla OK (4) para validar.
4. Pulse la tecla Start/ Stop (2). El horno empieza a funcionar.

Microondas + Grill

1. Gire la tecla Selección de función (1) hasta que parpadee el indicador de la función Microondas + Grill. En el display superior se muestra 10:00 parpadeando.
2. Gire el mando giratorio (7) en cualquier dirección para programar la duración.
3. Pulse la tecla OK (4) para validar. El valor de la potencia del microondas parpadea en el display. El indicador de potencia del microondas empieza a parpadear.
4. Gire el mando giratorio (7) en cualquier dirección para programar el nivel de potencia del microondas. Si no gira el mando, el horno funcionará a 360 W. La potencia máxima que se puede seleccionar es 360 W.
5. Pulse la tecla OK (4) para validar.
6. Pulse la tecla Start/ Stop (2). El horno empieza a funcionar.

NOTA:

Si se pulsa el botón Inicio durante la secuencia anterior, el horno iniciará el

proceso de cocción con los parámetros del display.

Descongelación por tiempo (manual)

Use esta función para descongelar todo tipo de comida rápidamente.

1. Gire la tecla Selección de función (1) hasta que parpadee el indicador de la función Descongelación por tiempo. En el display se muestra 10:00 parpadeando.
2. Gire el mando giratorio (7) en cualquier dirección para programar la duración.
3. Pulse la tecla OK (4) para validar.
4. Pulse la tecla Start/ Stop (2). El horno empieza a funcionar.
5. Gire los alimentos cuando el horno emita un pitido y en el display parpadee la palabra *turn*.

Descongelación por peso (automático)

Use esta función para descongelar carne, aves, pescado, frutas y pan rápidamente.

1. Gire la tecla Selección de función (1) hasta que parpadee el indicador de la función Descongelación por peso. El display muestra el tipo de alimento «Pr 1» parpadeando.
2. Gire el mando giratorio (7) en cualquier dirección para programar el tipo de alimento. Si no gira el mando, el horno funcionará con el tipo de alimento «Pr 1».
3. Pulse la tecla OK (4) para validar. El valor del peso de los alimentos

parpadea en el display inferior. El indicador de peso empieza a parpadear.

4. Gire el mando giratorio (7) en cualquier dirección para programar el peso de los alimentos. Si no gira el mando, el horno funcionará con la programación para 200 g.
5. Pulse la tecla OK (4) para validar.
6. Pulse la tecla Start/ Stop (2). El horno empieza a funcionar.
7. Gire los alimentos cuando el horno emita un pitido y en el display parpadee la palabra *turn*.

La tabla siguiente muestra los programas de Descongelar por peso, indicando rangos de peso y tiempos de cocción y descongelamiento (para garantizar que la temperatura de la comida sea uniforme).

Progr ma	Alimen tos	Peso (kg)	Tiempo (min)	Tiempo de cocción (min)
Pr 1	Carne	100 – 2500	3 – 75	20 – 30
Pr 2	Aves	100 – 2500	3 – 75	20 – 30
Pr 3	Pescado	100 – 2500	3 – 83'20	20 – 30
Pr 4	Frutas	100 – 1000	2'37 – 26	10 – 20
Pr 5	Pan	100 – 1500	2'24 – 36'15	10 – 20

Nota importante: consulte «Instrucciones generales para descongelación».

Funciones especiales

Función Especial “Auto”

Use esta función para cocinar varios tipos de comida.

1. Gire la tecla Selección de función (1) hasta que parpadee la luz de Función especial «Auto». En el display parpadea el programa «P1».

2. Gire el Mando giratorio (7) en cualquier dirección para escoger el programa. Si no gira el mando, el horno funcionará con el programa «P1».
3. Pulse la tecla OK (4) para validar.
4. Pulse la tecla Start/ Stop (2). El horno empieza a funcionar.

5. Gire los alimentos cuando el horno emita un pitido y en el display parpadee la palabra Turn.

La tabla siguiente muestra los programas de la Función especial "Auto" disponibles:

Programa	Tipo de comida	Tiempo (min.)	Instrucciones
P1	Cocer patatas	10	Coloque las patatas (aprox. 500g) y un poco de agua en un recipiente resistente al calor sobre la base de cerámica.
P2	Refritos y estofados	19	Colocar el refrito/estofado (por ejemplo: col, pollo estofado) en el recipiente, tapar y colocar en la base de cerámica del microondas.

Notas importantes:

- Use siempre platos adecuados para microondas y una tapa para evitar la pérdida de líquidos.
- El tiempo necesario para calentar la comida dependerá de su temperatura inicial. La comida sacada directamente de la nevera tardará más en calentarse que la comida a temperatura ambiente. Si la temperatura de la comida no es la deseada, seleccione un peso superior o

inferior la próxima vez que caliente la comida.

- Después de calentar la comida, remuévala y deje que la temperatura se uniformice durante algún tiempo.
- **Atención:** el envase puede estar muy caliente después de calentar la comida. A pesar de que los microondas no calientan la mayor parte de los envases, estos pueden quedarse calientes por transmisión del calor de la comida.

Durante el funcionamiento...

Interrupción de una cocción

Puede interrumpir el proceso de cocción en cualquier momento presionando una vez la tecla **Stop** o abriendo la puerta del horno.

En cualquiera de los casos:

- **Cesa inmediatamente la emisión de microondas.**
- El grill se desactiva pero **mantiene una temperatura muy elevada. ¡Peligro de quemaduras!**
- El temporizador se para y el **display** indica el tiempo de funcionamiento restante.

Si lo desea puede entonces:

1. Dar la vuelta o remover los alimentos, para obtener una cocción uniforme.
2. Cambiar los parámetros del proceso.

3. Cancelar el proceso, presionando de nuevo la tecla **Stop**.

Para retomar el proceso, cierre la puerta y presione la tecla **Start**.

Modificación de los parámetros

El tiempo puede ser alterado cuando el proceso de cocción sea interrumpido de la siguiente forma:

Gire el **Mando Giratorio** (7) para escoger el nuevo tiempo.

La potencia solo puede ser cambiada cuando el proceso de cocción esté interrumpido:

- Pulse la tecla Start/ Stop (2) para interrumpir el proceso de cocción;
- Pulse la Tecla OK (4) hasta que el display parpadee;

- Gire el Mando Giratorio (7) para escoger la nueva potencia;
- Pulse de nuevo la Tecla OK (4) para validar;
- Pulse de nuevo la Tecla Start/ Stop (2), para que el horno vuelva a funcionar.

Cancelar una cocción

Si desea cancelar el proceso de cocción, presione la tecla Stop durante 3 segundos.

En el caso de que el proceso haya sido interrumpido y pretenda cancelarlo, presione la tecla Stop.

Descongelación

La siguiente tabla presenta, de un modo general, los diferentes tiempos de descongelación y de reposo (de modo a garantizar que el alimento alcance una

A continuación, se emite una señal acústica y en el **display** aparece la indicación de las horas.

Fin de una cocción

Al final del proceso se emiten 3 señales acústicas y en el display aparece la indicación “**End**”.

Las señales acústicas se repiten cada 30 segundos, hasta que se abra la puerta o se presione la tecla Stop.

temperatura uniforme) en función del tipo y del peso de los alimentos, y también las respectivas recomendaciones.

Alimento	Peso (kg)	Tiempo de descongelación (min)	Tiempo de reposo (min)	Observaciones
Pedazos de carne, cerdo, ternera, buey	0.1	2-3	5-10	Dar la vuelta 1 x
	0.2	4-5	5-10	Dar la vuelta 1 x
	0.5	10-12	10-15	Dar la vuelta 2 x
	1.0	21-23	20-30	Dar la vuelta 2 x
	1.5	32-34	20-30	Dar la vuelta 2 x
	2.0	43-45	25-35	Dar la vuelta 3 x
Carne estofada	0.5	8-10	10-15	Dar la vuelta 2 x
	1.0	17-19	20-30	Dar la vuelta 3 x
Carne picada	0.1	2-4	10-15	Dar la vuelta 2 x
	0.5	10-14	20-30	Dar la vuelta 3 x
Salchicha	0.2	4-6	10-15	Dar la vuelta 1 x
	0.5	9-12	15-20	Dar la vuelta 2 x
Aves, partes de aves	0.25	5-6	5-10	Dar la vuelta 1 x
Pollo	1.0	20-24	20-30	Dar la vuelta 2 x
	2.5	38-42	25-35	Dar la vuelta 3 x
Filete de pescado	0.2	4-5	5-10	Dar la vuelta 1 x
Trucha	0.25	5-6	5-10	Dar la vuelta 1 x
Gambas	0.1	2-3	5-10	Dar la vuelta 1 x
	0.5	8-11	15-20	Dar la vuelta 2 x
Fruta	0.2	4-5	5-10	Dar la vuelta 1 x
	0.3	8-9	5-10	Dar la vuelta 1 x
	0.5	11-14	10-20	Dar la vuelta 2 x

Alimento	Peso (kg)	Tiempo de descongelación (min)	Tiempo de reposo (min)	Observaciones
Pan	0.2	4-5	5-10	Dar la vuelta 1 x
	0.5	10-12	10-15	Dar la vuelta 1 x
	0.8	15-17	10-20	Dar la vuelta 2 x
Mantequilla	0.25	8-10	10-15	
Requesón	0.25	6-8	10-15	
Nata	0.25	7-8	10-15	

Indicaciones generales para la descongelación

- Para la descongelación, utilice solamente vajilla adecuada para microondas (porcelana, cristal, plástico adecuado).
- La función Descongelación por peso y las tablas se refieren a la descongelación de alimentos crudos.
- El tiempo de descongelación depende de la cantidad y de la altura del alimento. Cuando congele los alimentos, tenga en cuenta el proceso de descongelación. Distribuya el alimento en partes iguales al tamaño del recipiente.
- Distribuya lo mejor posible el alimento en el interior del horno. Las partes más gruesas de pescado o de los muslos de pollo deben apuntar hacia fuera. Puede proteger las partes más delicadas con papel de aluminio. **Importante:** el papel de aluminio no puede entrar en contacto con las paredes de la cavidad, pues puede causar arco eléctrico.
- Las piezas más densas deben ser vueltas varias veces.
- Distribuya el alimento congelado del modo más uniforme posible, pues las partes más estrechas y finas se descongelan más deprisa que las partes más gruesas y altas.
- Los alimentos ricos en grasa, como la mantequilla, el requesón y la nata, no se deben descongelar totalmente. Si están a temperatura ambiente, en pocos minutos estarán listos para ser servidos. En el caso de la nata ultracongelada, si hubiera pequeños pedazos de hielo, hay que batirla antes de consumirla.
- Coloque las aves sobre un plato hondo para que la salsa de la carne pueda escurrir más fácilmente.
- El pan debe ser envuelto en una servilleta, para que no se reseque demasiado.
- Dar la vuelta a la comida en intervalos regulares.
- Retire el alimento congelado de su embalaje y no se olvide de retirar los clips de metal, en el caso de que existan. En el caso de los recipientes que sirven para guardar los alimentos en el congelador y que también pueden ser utilizados para calentar y cocinar, retire solamente la tapa. En los demás casos, coloque los alimentos en recipientes adecuados para hornos microondas.
- El líquido resultante de la descongelación, principalmente de las aves, debe tirarse y en ningún caso puede entrar en contacto con los demás alimentos.
- Tenga en cuenta que, en la función de descongelación automática, es necesario un tiempo de reposo, hasta que el alimento esté completamente descongelado.

Cocinar con microondas

¡Atención! Lea atentamente el capítulo “Indicaciones de Seguridad” antes de cocinar con microondas.

Siga las siguientes recomendaciones al cocinar con microondas:

- Antes de calentar o cocinar alimentos con cáscara o **piel** (p. ej. manzanas, tomates, patatas, salchichas) **píquelos**, para que no revienten. Corte el alimento antes de iniciar su preparación.
- Antes de utilizar un recipiente, compruebe si el mismo es adecuado para microondas (ver capítulo sobre el tipo de vajilla).
- Al cocinar-alimentos con poca humedad (p. ej. **descongelar pan**, hacer palomitas, etc.) se produce una evaporación rápida. El horno funciona de este modo en vacío y el alimento puede carbonizarse. Esta situación puede causar daños al horno y a la vajilla. De este modo, ajuste solamente el tiempo necesario y vigile la cocción.
- No se puede calentar grandes cantidades de aceite (**freír**) en el microondas.
- Retire los **platos precocinados de sus envases**, pues éstos no siempre son resistentes al calor. Siga las instrucciones proporcionadas por el fabricante.
- **Si tiene varios recipientes**, como por ejemplo tazas, dispóngalos uniformemente sobre la Base de cerámica.
- No cierre las **bolsas de plástico con pinzas de metal**, pero sí con pinzas de plástico. Perfore varias veces la bolsa para que el vapor pueda salir fácilmente.
- Al calentar o cocinar alimentos, asegúrese de que alcanzan una **temperatura mínima de 70°C**.

- Durante la cocción puede haber formación de **vapor de agua** en el cristal de la puerta y eventualmente acabar por condensarse. Esta situación es normal y puede ser incluso más significativa si la temperatura ambiente es baja. La seguridad del horno no está en cuestión. Después de la cocción, limpie el agua resultante de la condensación.
- Cuando caliente líquidos, utilice **recipientes con una gran apertura**, para que el vapor se pueda evaporar fácilmente.

Prepare los alimentos de acuerdo con las indicaciones y tenga en cuenta los tiempos de cocción y los niveles de potencia indicados en las tablas.

Tenga en cuenta que los valores referidos son sólo indicativos y que pueden variar en función del estado inicial, de la temperatura, de la humedad y del tipo de alimento. Es aconsejable ajustar los tiempos y los niveles de potencia a cada situación. En función del alimento, hay que aumentar o acortar los tiempos de cocción, o entonces subir o bajar el nivel de potencia.

Cocinar con microondas...

1. Cuanto mayor es la cantidad de los alimentos, más largo es el tiempo de cocción. Tenga en cuenta que:
 - Doble de la cantidad » doble del tiempo
 - Mitad de la cantidad » mitad del tiempo
2. Cuanto menor es la temperatura, mayor es el tiempo de cocción.
3. Los alimentos líquidos se calientan más deprisa.
4. Una buena distribución de los alimentos sobre la Base de cerámica facilita una cocción uniforme. Si coloca los alimentos densos en la parte exterior de la Base de cerámica y los menos densos en el centro

de la Base, podrá calentar diferentes tipos de alimentos simultáneamente.

5. La puerta del horno puede abrirse en cualquier momento. El horno se desconecta automáticamente. El microondas sólo sigue funcionando si cierra la puerta y presiona otra vez el botón **START**.

6. Los alimentos tapados requieren menos tiempo de cocción, además de preservar mejor las propias características. La tapa tiene que dejar pasar las microondas y tener pequeños orificios que permitan la salida del vapor.

Tablas y sugerencias – Cocinar verduras

Alimento	Cantidad (kg)	Adición de líquidos	Potencia (Watt)	Nivel de Potencia	Tiempo (min.)	Tiempo de reposo (min.)
Coliflor	0.5	1/8 l	850	5	9-11	2-3
Brócoli	0.3	1/8 l	850	5	6-8	2-3
Champiñones	0.25	-	850	5	6-8	2-3
Guisantes y zanahorias,	0.3	½ taza	850	5	7-9	2-3
Zanahorias congeladas	0.25	2-3 cucharas sopa	850	5	8-10	2-3
Patatas	0.25	2-3 cucharas sopa	850	5	5-7	2-3
Pimiento	0.25	-	850	5	5-7	2-3
Puerro	0.25	½ taza	850	5	5-7	2-3
Col de Bruselas, congelada	0.3	½ taza	850	5	6-8	2-3
Repollo	0.25	½ taza	850	5	8-10	2-3

Tablas y sugerencias – Cocinar pescado

Alimento	Cantidad (kg)	Potencia (Watt)	Nivel de Potencia	Tiempo (min.)	Tiempo en reposo (min.)	Indicaciones
Filetes de pescado	0.5	600	4	10-12	3	Cocinar tapado. Dar la vuelta una vez transcurrida la mitad del tiempo.
Pescado entero	0.8	850 360	5 3	3-5 10-12	2-3	Cocinar tapado. Dar la vuelta una vez transcurrida la mitad del tiempo. Eventualmente cubrir las extremidades finas del pescado.

Cocinar con Grill

Para obtener buenos resultados con el grill, utilice el grill suministrado conjuntamente con el horno.

Ponga el grill de modo que no entre en contacto con las superficies metálicas de

la cavidad, pues existe el peligro de arco eléctrico, lo que puede dañar el horno.

INDICACIONES IMPORTANTES:

1. Cuando el grill se utiliza por primera vez se observa la formación de algún humo y

olor, que resultan de la utilización de aceites durante el proceso de fabricación.

2. El cristal de la puerta alcanza temperaturas muy altas durante la utilización del grill. **Mantenga a los niños alejados.**
3. Caliente previamente el grill durante 2 minutos. Si no hay ninguna indicación en contra, utilice el grill.
4. Durante el funcionamiento del grill, las paredes de la cavidad y el grill alcanzan temperaturas muy elevadas. Es aconsejable la utilización de guantes de cocina.
5. Durante una utilización más prolongada del grill es normal que las resistencias se desconecten temporalmente, debido al termostato de seguridad.
6. **¡Importante!** Cuando los alimentos se hacen al grill o se cocinan en recipientes

hay que comprobar si el recipiente es o no adecuado. ¡Ver capítulo sobre el tipo de vajilla!

7. Cuando se utiliza el grill puede que las salpicaduras de grasa acaben quemando los componentes. Esta es una situación normal y no representa ningún tipo de fallo de funcionamiento.
8. Tras cada cocción, limpie el interior y los accesorios, para que la suciedad no quede incrustada.

Tabla y sugerencias – Microondas + Grill

La función microondas con grill es ideal para cocinar rápidamente y, al mismo tiempo, dorar alimentos. Además, puede también gratinar los alimentos.

El microondas y el grill funcionan simultáneamente. Las microondas cocinan y el grill gratina.

Plato	Cantidad (kg)	Vajilla	Potencia (Watt)	Nivel de Potencia	Tiempo (min.)
Pasta gratinada	0.5	Forma baja	180	2	17-20
Patatas gratinadas	0.8	Forma baja	600	5	24-28
Lasaña	aprox. 0.8	Forma baja	600	5	15-20
Requesón gratinado	aprox. 0.5	Forma baja	180	4	18-20
2 muslos de pollo, fresco (sobre el grill)	cada 0.2	Forma baja	360	3	15-20
Pollo	aprox. 1.0	Recipiente alto y ancho	360	4	40-45
Gratinar sopa de cebolla	2 tazas de 0.2	Cuenco de sopa	360	3	4-8

Antes de utilizar vajilla y recipientes en el microondas, compruebe si éstos son adecuados. Utilice solamente vajilla adecuada para microondas.

La vajilla a utilizar en la función combinado tiene que ser adecuada para microondas y para el grill. ¡Ver capítulo sobre el tipo de vajilla!

Tenga en cuenta que los valores referidos son sólo indicativos y que pueden variar en función del estado inicial, de la temperatura, de la humedad y del tipo de alimento.

Si el tiempo no ha sido suficiente para dorar bien el alimento, póngalo durante 5 ó 10 min más. en la función grill.

Los gratinados y las aves requieren un tiempo de cocción extra, de 3 a 5 minutos, para que la temperatura se distribuya uniformemente.

Si no hay indicaciones en contra, utilice la Base de cerámica para cocinar.

Los valores indicados en las tablas son válidos teniendo en cuenta que la cavidad está fría (no hay que calentar previamente).

¿Qué tipo de vajilla se puede utilizar?

Función microondas

En la función microondas, tenga en cuenta que las microondas son reflejadas por las superficies metálicas. El cristal, la porcelana, el barro, el plástico y el papel dejan pasar las microondas.

Por ello, las **ollas y la vajilla de metal o los recipientes con partes o decoraciones metálicas no se pueden utilizar en el microondas**. El cristal y el barro con **decoraciones o partes metálicas** (p. ej. cristal de plomo) no se pueden utilizar.

Lo **ideal** para cocinar en el horno microondas es utilizar cristal, porcelana o barro refractarios y plástico resistente al calor. El cristal y la porcelana muy finos y frágiles deben ser utilizados, durante poco tiempo, para descongelar o calentar alimentos ya preparados.

Los alimentos calientes transmiten calor a la vajilla, la cual puede quedar muy caliente. Por ello, utilice siempre un **gante** de cocinar.

Pruebe la vajilla

Coloque la vajilla en el horno durante 20 segundos a potencia máxima de microondas. Si ésta está fría o poco caliente es adecuada. Sin embargo, si se calienta mucho o causa arco eléctrico, no es adecuada.

Función grill

En el caso de la función grill, la vajilla tiene que ser resistente por lo menos a temperaturas de 300°C.

La vajilla de plástico no es adecuada.

Función microondas + grill

En la función microondas + grill, la vajilla a utilizar tiene que ser adecuada tanto para el microondas como para el grill.

Recipientes y películas de aluminio

Los platos precocinados en recipientes de aluminio o con película de aluminio pueden ser colocados en el microondas si se respetan los siguientes aspectos:

- Tenga en cuenta las recomendaciones del fabricante que constan en el envase.
- Los recipientes de aluminio no pueden tener una altura superior a 3 cm ni entrar en contacto con las paredes de la cavidad (**distancia mínima de 3 cm**). Se debe retirar cualquier tapa de aluminio.
- Coloque el recipiente de aluminio directamente sobre la Base de cerámica. Si utiliza el grill, coloque el recipiente sobre un plato de porcelana. Nunca coloque el recipiente directamente sobre la parrilla.
- El tiempo de cocción es más largo porque las microondas entran en los alimentos solamente por arriba. En caso de duda, utilice solamente vajilla adecuada para microondas.
- El papel de aluminio se puede utilizar para reflejar las microondas durante el proceso de descongelación. Los alimentos delicados, tales como aves o carne picada, se pueden proteger del calor excesivo cubriendo las respectivas extremidades.
- **Importante:** El papel de aluminio no puede entrar en contacto con las paredes de la cavidad, pues puede provocar arco eléctrico.

Tapas

Se recomienda la utilización de tapas de cristal, de plástico o de una película adherente, porque de este modo: **(SÓLO PARA LA FUNCIÓN MICROONDAS)**.

1. Impide una evaporación excesiva (principalmente en los períodos de cocción muy largos);
2. El proceso de cocción es más rápido;
3. Los alimentos no quedan secos;
4. Se preserva el aroma.

La tapa debe poseer orificios para que no se forme ningún tipo de presión. Las bolsas de

plástico deben igualmente tener aberturas. Tanto los biberones como los frascos con comida para bebé y otros recipientes semejantes sólo se pueden calentar sin tapa, pues pueden reventar.

La tabla siguiente le da una idea general sobre cuál es el tipo de vajilla adecuada a cada situación.

Tabla – Vajilla

Tipo de vajilla	Modo de funcionamiento	Microondas		Grill	Microondas + Grill
		Descongelar/ calentar	Cocinar		
Cristal y porcelana 1) Doméstico, no resistente al fuego, se puede lavar en lavavajillas		sí	sí	no	no
Cerámica vidriada Cristal y porcelana resistente al fuego		sí	sí	sí	sí
Cerámica, vajilla de gres 2) Sin vidriados o vidriados sin decoraciones metálicas		sí	sí	no	no
Vajilla de barro 2) Vidriado No vidriado		sí no	sí no	no no	no no
Vajilla de plástico 2) Resistente al calor hasta 100°C Resistente al calor hasta 250°C		sí sí	no sí	no no	no no
Películas de plástico 3) Film plástico para alimentos Celofán		no sí	no sí	no no	no no
Papel, cartón, pergamino 4)		sí	no	no	no
Metal Papel de aluminio Envases de aluminio 5) Accesorios		sí no sí	no sí sí	sí sí sí	no sí sí

1. Sin borde dorado o plateado y sin cristal de plomo.
2. ¡Tenga en cuenta las indicaciones del fabricante!
3. No utilice clips de metal para cerrar las bolsas. Perfore las bolsas. Utilice las películas sólo para tapar.

4. No utilice platos de papel.
5. Solamente envases de aluminio poco profundos y sin tapa. El aluminio no puede entrar en contacto con las paredes de la cavidad.

Limpeza y Mantenimiento del horno

La limpieza es el único mantenimiento normalmente requerido.

¡Atención! El horno microondas debe limpiarse regularmente, debiendo retirarse todos los restos de comida. En el caso de que no se mantenga debidamente limpio el horno microondas su superficie puede deteriorarse, **puediendo reducirse la vida útil del horno y eventualmente resultar en una situación peligrosa.**

¡Atención! La limpieza debe ser efectuada con el horno desconectado de la alimentación eléctrica. Retire la clavija de la toma o desconecte el circuito de alimentación del horno.

No utilice productos de limpieza agresivos o abrasivos, elementos que rayen u objetos puntiagudos, pues pueden aparecer manchas.

No utilice aparatos de limpieza a alta presión o a chorro de vapor.

Superficie frontal

Basta limpiar el horno con un paño húmedo. Si está muy sucio, añada algunas gotas de detergente de lavavajillas al agua de lavado. Después limpie el horno con un paño seco.

En los hornos con frente de aluminio use un producto limpiacristales suave y un paño suave que no suelte hilos. Limpie en el sentido horizontal sin ejercer presión sobre la superficie.

Retire inmediatamente las manchas de calcáreo, grasa, almidón, clara de huevo. Debajo de estas manchas puede producirse corrosión.

Evite la entrada de agua al interior del horno.

Interior del horno

Tras cada utilización, limpie las paredes interiores con un paño húmedo porque así

es más fácil retirar las salpicaduras y la comida pegada.

Para retirar la suciedad más difícil, use un producto de limpieza no agresivo. **No utilice sprays de horno ni otros productos de limpieza agresivos o abrasivos.**

Mantenga la puerta y el frente del horno siempre bien limpios, a fin de asegurar un correcto funcionamiento.

Evite la entrada de agua en los orificios de ventilación del microondas.

Regularmente, limpie la base de la cavidad, especialmente si se han derramado líquidos.

No conecte el horno sin la Base de cerámica.

Si la cavidad del horno está muy sucia, coloque un vaso con agua sobre la Base cerámica y conecte el horno microondas durante 2 ó 3 minutos a máxima potencia. El vapor liberado ablandará la suciedad, que será fácilmente limpiada con un paño suave.

Los olores desagradables (por ej., después de cocinar pescado) pueden ser fácilmente eliminados. Eche algunas gotas de zumo de limón en una taza con agua. Introduzca una cuchara de café en la taza para evitar una ebullición retardada. Caliente el agua durante 2 ó 3 minutos a potencia máxima de microondas.

Techo del Horno

Si el techo del horno está sucio, puede bajarse el grill para facilitar la limpieza.

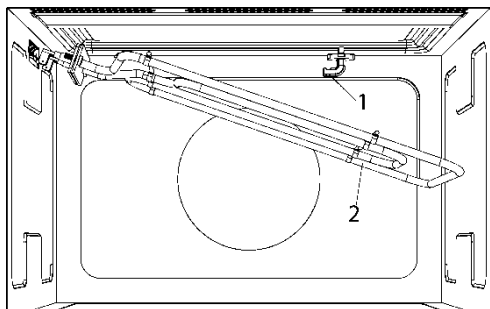
Espere hasta que el grill esté frío antes de bajarlo, para evitar el peligro de quemadura. Proceda de la siguiente forma:

1. Gire 90° el Soporte del Grill (1).
2. Baje suavemente el Grill (2). No use una fuerza excesiva pues puede causar daños.

3. Después de limpiar el techo coloque el Grill (2) en su sitio, repitiendo el procedimiento inverso.

AVISO IMPORTANTE: El soporte del grill (1) puede caerse al girarlo. Si esto sucede, inserte el soporte del grill (1) en el orificio existente en el techo del horno y gírelo 90° hasta la posición de soporte del grill (2).

No utilice productos de limpieza abrasivos ni objetos puntiagudos.



Accesorios

Limpie los accesorios tras cada utilización. En el caso de que estén bastante sucios, ponga primero a remojo y, a continuación, utilice un cepillo y una esponja. Los accesorios pueden ser lavados en el lavavajillas.

Asegúrese de que la Base de cerámica está siempre limpia. No conecte el horno sin la Base de cerámica.

¿Qué hacer en caso de fallo de funcionamiento?

¡ATENCIÓN! Cualquier tipo de reparación sólo puede ser ejecutada por técnicos especializados. Toda reparación efectuada por personas no autorizadas por el fabricante es peligrosa.

Las siguientes situaciones pueden corregirse sin contactar con la Asistencia Técnica.

- **¡El display está apagado!** Comprobar si:
 - La indicación de las horas se ha desconectado (ver capítulo sobre Regulaciones Base).
- **¡No ocurre nada cuando se presionan las teclas!** Comprobar si:
 - EL Bloqueo de Seguridad está activo (ver capítulo sobre Regulaciones Base).
- **¡El horno no funciona!** Comprobar si:
 - La clavija está correctamente conectada a la toma.

- El circuito de alimentación del horno está conectado.
- La puerta está completamente cerrada. La puerta tiene que cerrar de forma audible.
- Existen cuerpos extraños entre la puerta y el frente de la cavidad.
- **¡Durante el funcionamiento del horno se oyen ruidos extraños!** Comprobar si:
 - Existen arcos eléctricos en el interior del horno generados por objetos metálicos extraños (ver capítulo sobre el tipo de Vajilla).
 - La vajilla entra en contacto con las paredes del horno.
 - Existen pinchos o cucharas sueltos en el interior del horno.
- **¡Los alimentos no se calientan o se calientan muy lentamente!** Comprobar si:

- Utilizó inadvertidamente vajilla de metal.
- Seleccionó el tiempo de funcionamiento y el nivel de potencia adecuados.
- Colocó en el interior del horno una cantidad mayor o más fría de alimentos que habitualmente.
- **¡El alimento está excesivamente caliente, reseco o quemado!** Comprobar si seleccionó el tiempo de funcionamiento y el nivel de potencia adecuados.
- **¡Se oye un ruido después de acabar un proceso!** Esto no es un problema. El ventilador de refrigeración sigue funcionando durante algún tiempo. Cuando la temperatura baje lo suficiente, el ventilador se desconectará.
- **¡El horno funciona pero la iluminación interior no enciende!** Si todas las funciones operan correctamente, es probable que la bombilla esté fundida. Puede seguir utilizando el aparato.
- **La pantalla muestra "cErr"!** Desconecte el enchufe y espere aproximadamente 5 segundos. Después de eso, se puede conectar el microondas de nuevo, el "cerr" mensaje desaparece y el aparato está en pleno funcionamiento.

La sustitución de la bombilla

Si la bombilla necesita sustitución llamar a la Asistencia Técnica, ya que es necesario desinstalar el horno para reemplazarla.

Características técnicas

Especificaciones

- Tensión AC..... (ver placa de características)
- Potencia requerida..... 2700 W
- Potencia del grill..... 1250 W
- Potencia de salida microondas..... 850 W
- Frecuencia de microondas..... 2450 MHz
- Dimensiones exteriores (L×A×P)..... 595 × 390 × 334 mm
- Dimensiones de la cavidad (L×A×P)..... 350 × 220 × 280 mm
- Capacidad del horno..... 22 ltr
- Peso..... 22 kg

Protección medioambiental

Eliminación del embalaje

El embalaje está marcado con el Punto Verde.

Para eliminar todos los materiales de embalaje, tales como el cartón, el poliuretano expandido y las películas, utilice los contenedores adecuados. De este modo

se garantiza la reutilización de los materiales de embalaje.

Eliminación de aparatos fuera de uso

La directiva Europea 2012/19/EU referente a la gestión de Residuos de Aparatos Eléctricos y Electrónicos (RAEE), prevé que los electrodomésticos no deben ser tirados

en el flujo normal de los residuos sólidos urbanos.

Los aparatos desactualizados deben ser recogidos separadamente para optimizar la tasa de recuperación y reciclaje de los materiales que los componen e impedir potenciales daños a la salud humana y al medioambiente. El símbolo constituido por un contenedor de basura marcado con una cruz debe colocarse en todos los productos

para recordar la obligatoriedad de una recogida separada.

Los consumidores deben contactar con las autoridades locales o los puntos de venta para solicitar información referente al local adecuado donde deben depositar los electrodomésticos viejos.

Antes de eliminar su aparato, inutilícelo. Tire el cable de alimentación, córtelo y elimínelo.

Instrucciones de instalación

Antes de la instalación

Comprobar que la tensión de alimentación indicada en la placa de características corresponde a la tensión de su instalación.

Abra la puerta y **retire todos los accesorios** y el material de embalaje.

¡Atención! La superficie frontal del horno puede estar envuelta en una **película de protección**. Antes de la primera utilización, retire esta película cuidadosamente, empezando por la parte inferior.

Asegúrese de que el horno no está dañado. Compruebe si la puerta del horno cierra correctamente y si el interior de la puerta y el frente de la cavidad no están dañados. En caso de daños, contacte con el Servicio de Asistencia Técnica.

NO UTILICE EL HORNO si el cable de alimentación o la clavija están dañados, si el horno no funciona correctamente o si ha sufrido daños o caído. Contacte con el Servicio de Asistencia Técnica.

Coloque el horno sobre una superficie plana y estable. El horno no debe colocarse cerca de elementos de calor, radios y televisores.

Durante la instalación, asegúrese de que el cable de alimentación no entra en contacto con humedad, objetos con aristas vivas o la parte trasera del horno,

pues las elevadas temperaturas pueden dañar el cable.

Atención: tras la instalación del horno hay que asegurar el acceso a la clavija.

Tras la instalación

El horno está equipado con un cable de alimentación y clavija para corriente monofásica.

Un técnico cualificado debe realizar la instalación del horno, **si ésta va a ser permanente**. En tal caso, la conexión del horno se debe efectuar mediante un interruptor de corte onipolar con una separación mínima de 3 mm entre sus contactos.

ATENCIÓN: EL HORNO TIENE QUE SER OBLIGATORIAMENTE CONECTADO A TIERRA.

El fabricante y los revendedores declinan toda responsabilidad por eventuales daños causados a personas, animales o bienes en el caso de que se compruebe la inobservancia de estas instrucciones de instalación.

El horno sólo funciona si la puerta está correctamente cerrada.

Antes de la primera utilización, limpie el interior del horno y los accesorios, siguiendo las indicaciones relativas a la limpieza que aparecen en el punto "Limpieza y Mantenimiento del horno".

Índice

Informações de segurança	54	Descongelação	67
Segurança para Crianças e Pessoas Vulneráveis	54	Indicações gerais para a descongelação	68
Segurança geral	55	Cozinhar com Micro-ondas	68
Instalação	57	Cozinhar com micro-ondas.....	69
Limpeza e Manutenção	57	Tabelas e sugestões – Cozinhar legumes	70
Serviço e Reparação	58	Tabelas e sugestões – Cozinhar peixe ..	70
Procedendo conforme as indicações seguintes evita danos no forno e outras situações perigosas	59	Cozinhar com Grill	70
As vantagens do forno microondas	60	Tabela e sugestões – Micro-ondas + Grill	71
Modo de funcionamento do forno microondas	60	Que tipo de loiça pode ser utilizada?	72
Porque é que os alimentos aquecem....	60	Função Micro-ondas	72
Descrição do forno	61	Teste à loiça	72
Descrição das Funções.....	62	Função Grill	72
Regulações base	63	Função micro-ondas + Grill.....	72
Acerto do relógio.....	63	Recipientes e películas de alumínio	72
Ocultar/Mostrar o Relógio.....	63	Tampas.....	72
Bloqueio de Segurança.....	63	Tabela – Loiça	73
Funções Básicas	64	Limpeza e Manutenção do forno	73
Micro-ondas.....	64	Superfície frontal	74
Grill.....	64	Interior do forno.....	74
Micro-ondas + Grill.....	64	Teto do Forno.....	74
Descongelar por tempo (manual)	65	Acessórios.....	75
Descongelação por peso (automático)..	65	O que fazer em caso de falha de funcionamento?	75
Funções Especiais	65	Substituição da Lâmpada.....	76
Função Especial.....	65	Características técnicas	76
Durante o funcionamento	66	Especificações	76
Interrupção de um cozinhado	66	Proteção ambiental	76
Alteração dos parâmetros.....	66	Instruções de instalação	77
Cancelar um cozinhado.....	67	Antes da instalação	77
Fim de um cozinhado.....	67	Após a instalação	77
		Instalação	78

Informações de segurança



Leia atentamente as instruções fornecidas antes de instalar e utilizar o aparelho. O fabricante não é responsável por lesões ou danos resultantes da instalação e utilização incorrectas. Guarde sempre as instruções junto do aparelho para futura referência.

Segurança para Crianças e Pessoas Vulneráveis

ADVERTENCIA! Risco de asfixia, ferimentos ou incapacidade permanente

- Este aparelho pode ser utilizado por crianças com 8 anos ou mais e por pessoas com capacidades físicas, sensoriais ou mentais reduzidas ou com pouca experiência e conhecimento se forem supervisionadas por um adulto que seja responsável pela sua segurança.
- As crianças devem ser supervisionadas para garantir que não brincam com o aparelho.
- Mantenha todos os materiais de embalagem fora do alcance das crianças.
- **ADVERTÊNCIA:** O aparelho e as peças acessíveis ficam quentes durante o funcionamento. Deve ser tomado cuidado especial para evitar tocar nos elementos dentro do forno. Crianças com menos de 8 anos devem manter-se afastadas, a menos que sejam supervisionadas.
- **AVISO:** quando o aparelho funciona no modo combinado, as crianças devem apenas utilizar o forno sob supervisão de um adulto devido às temperaturas que são geradas.
- Se o aparelho tiver um dispositivo de segurança para crianças, recomendamos que o ative. É necessário vigiar as crianças com menos de 3 anos quando se encontrarem perto do aparelho.

- A limpeza e a manutenção básica não devem ser efetuadas por crianças sem supervisão.

Segurança geral

- Este aparelho destina-se exclusivamente a utilizações domésticas e não em hotéis, lojas, escritórios e outros ambientes semelhantes.
- O interior do aparelho fica quente durante o funcionamento. Não toque nos elementos de aquecimento do aparelho. Utilize sempre luvas de forno para retirar e colocar acessórios ou recipientes de ir ao forno.
- **ADVERTÊNCIA:** Não aqueça líquidos ou outros alimentos em recipientes fechados. Poderão explodir.
- Utilize apenas utensílios adequados para utilizar em fornos micro-ondas.
- Quando aquecer alimentos em recipientes de plástico ou papel, vigie o aparelho porque existe o risco de ignição.
- O aparelho destina-se a aquecimento de alimentos e bebidas. A secagem de alimentos ou vestuário, bem como o aquecimento de botijas, chinelos, esponjas, tecidos húmidos e coisas semelhantes representam risco de ferimentos, ignição e incêndio.
- **ATENÇÃO!** O forno não pode ser utilizado se:
 - A porta não fechar corretamente;
 - As dobradiças da porta estiverem danificadas;
 - As superfícies de contacto entre a porta e a frente estiverem danificadas;
 - O vidro da janela estiver danificado;
 - Houver frequentemente arco elétrico no interior, sem que haja a presença de quaisquer objetos de metal.

O forno só pode voltar a ser utilizado depois de ter sido reparado por um técnico do Serviço de Assistência Técnica.

- Se observar saída de fumo, desligue o aparelho ou retire a ficha da tomada e mantenha a porta fechada para abafar possíveis chamas.
- O aquecimento de bebidas no micro-ondas pode provocar ebulições. Tenha cuidado quando manusear o recipiente.



- Cuidado ao aquecer líquidos!
Quando os líquidos (água, café, chá, leite, etc.) se encontram quase em ponto de ebulição dentro do forno e são retirados repentinamente, estes podem ser projetados para fora do recipiente.

PERIGO DE LESÕES E QUEIMADURAS!

Para evitar este tipo de situações quando aquece líquidos, coloque uma colher de chá ou uma vareta de vidro no recipiente.

- O conteúdo de biberões e de bociões de comida para bebé deve ser agitado e mexido e a sua temperatura deve ser verificada antes de ser consumido, para evitar queimaduras.
- Os ovos inteiros, crus ou cozidos, não devem ser aquecidos no aparelho porque podem explodir, mesmo após o fim do aquecimento no microondas.
- **Atenção!** Não aqueça álcool puro ou bebidas alcoólicas no micro-ondas. **RISCO DE FOGO!**
- **Cuidado!** De modo a evitar que os alimentos aqueçam demasiado ou que possam arder, é muito importante não seleccionar períodos de tempo longos, nem níveis de potência demasiado elevados, quando aquecer pequenas

quantidades de alimentos. Por exemplo, um pão pode arder ao fim de 3 minutos se estiver definida uma potência demasiado alta.

- Para torrar, utilize somente a função Grill e vigie sempre o forno. Se utilizar uma função combinada para torrar, o pão incendeia-se em muito pouco tempo.
- Nunca entale os cabos de alimentação de outros aparelhos elétricos na porta quente do forno. O isolamento do cabo pode derreter. **Perigo de curto-circuito!**

Instalação

- O sistema elétrico deve estar equipado com um dispositivo de desconexão, com separação de contactos em todos os polos que garanta uma desconexão completa na categoria de sobretensão III.
- Se a ligação elétrica se fizer com ficha, esta deve ficar acessível depois da instalação.
- A instalação deve estar de acordo com os regulamentos vigentes.
- A proteção contra choques elétricos tem que ser garantida através da instalação elétrica.
- **ATENÇÃO!** O forno tem que ser obrigatoriamente ligado à terra.
- **ATENÇÃO!** Este aparelho foi concebido para ser encastrado. Para mais informações de instalação, consultar o final deste manual.

Limpeza e Manutenção

- **ADVERTÊNCIA!** Desligue a alimentação elétrica antes de qualquer tipo de limpeza ou manutenção.
- Deve limpar o aparelho e remover os resíduos de alimentos com regularidade.

- Se não mantiver o aparelho limpo, a superfície poderá deteriorar-se e isso pode afetar negativamente a duração do aparelho e resultar numa situação perigosa.
- Não utilize produtos de limpeza abrasivos ou raspadores metálicos afiados para limpar a porta de vidro porque podem riscar a superfície e partir o vidro.
- Não utilize uma máquina de limpar a vapor para limpar o aparelho.
- As superfícies de contacto da porta (a frente da cavidade e a parte interior da porta) têm de ser mantidas bastante limpas, de modo a garantir o correto funcionamento.
- Por favor, tenha em atenção as indicações relativas à limpeza constantes no ponto “Limpeza e Manutenção do forno”.

Serviço e Reparação

- **ADVERTÊNCIA!** Desligue a alimentação elétrica antes de qualquer tipo de limpeza ou manutenção.
- **ADVERTÊNCIA!** Apenas uma pessoa competente pode efetuar ações de manutenção e reparação que envolvam a remoção da cobertura que protege contra a exposição à energia de micro-ondas.
- **ADVERTÊNCIA!** Em caso de danos na porta ou nas juntas da porta, não utilize o micro-ondas até que tenha sido reparado por uma pessoa competente.
- Se o cabo de alimentação estiver danificado, deve ser substituído pelo fabricante, por um agente de assistência autorizado ou por uma pessoa igualmente qualificada, para evitar perigos. São necessárias ferramentas especiais.
- As reparações e manutenções, especialmente em peças sob tensão, só podem ser efetuadas por técnicos autorizados pelo fabricante.

Procedendo conforme as indicações seguintes evita danos no forno e outras situações perigosas

- Não ligue o micro-ondas em vazio. Este pode ficar em sobrecarga e danificar-se, caso não haja alimentos no interior. **RISCO DE DANOS!**
- Para efetuar testes de programação do forno, coloque um copo de água no interior do forno. A água absorverá as micro-ondas e o forno não se danificará.
- Não tape ou obstrua os orifícios de ventilação.
- Utilize apenas loiça adequada para micro-ondas. Antes de utilizar loiça e recipientes no micro-ondas, verifique se estes são adequados (ver capítulo sobre o tipo de loiça).
- Não remova a tampa de mica situada no tecto da cavidade! Essa tampa evita que as gorduras e pedaços de alimentos danifiquem o gerador de micro-ondas.
- Não guarde qualquer objeto inflamável no interior do forno, pois pode arder se o ligar.
- Não use o forno como despensa.
- Não use o forno para fritar em banho de óleo, pois é impossível controlar a temperatura do óleo sob ação das micro-ondas.
- A base e as grelhas suportam uma carga máxima de 8 kg. Não exceda esta carga para evitar danos.

As vantagens do forno microondas

No fogão convencional o calor radiado pelas resistências ou queimadores de gás penetra lentamente nos alimentos, de fora para dentro. Existe por isso uma grande perda de energia no aquecimento do ar, componentes do forno e recipientes.

No microondas o calor é gerado pelos próprios alimentos, isto é o calor passa do interior para o exterior. Não existe qualquer perda de calor para o ar, paredes da cavidade e recipientes (caso sejam adequados para fornos microondas), ou seja apenas o alimento é aquecido.

Resumidamente os fornos microondas apresentam as seguintes vantagens:

1. Economia de tempo de cozedura; em geral redução de 3/4 do tempo em relação à cozedura convencional.
2. Descongelação ultra-rápida de alimentos, reduzindo o perigo de desenvolvimento de bactérias.
3. Economia de energia.
4. Conservação do valor nutritivo dos alimentos devido à redução do tempo de cozedura.

Modo de funcionamento do forno microondas

No forno microondas existe uma válvula de alta tensão designada por magnetrão que converte a energia eléctrica em energia de microondas. Estas ondas electromagnéticas são canalizadas para o interior do forno através de uma guia de ondas e distribuídas por um espalhador metálico ou através de um prato rotativo.

Dentro do forno as microondas propagam-se em todos os sentidos e são reflectidas pelas paredes metálicas, penetrando uniformemente nos alimentos.

Porque é que os alimentos aquecem

A maior parte dos alimentos contêm água cujas moléculas vibram por acção das microondas.

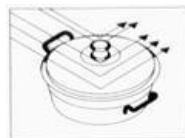
A fricção entre moléculas origina calor que eleva a temperatura dos alimentos, descongelando-os, cozinhando-os ou mantendo-os quentes.

Como o calor se forma no interior dos alimentos:

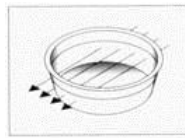
- estes podem ser cozinhados sem/ou com poucos líquidos ou gorduras;
- descongelar, aquecer ou cozinhar no forno microondas é mais rápido que num forno convencional;
- conservam-se as vitaminas, os minerais e as substâncias nutritivas;
- não se alteram a cor natural e o aroma.

As microondas passam através de porcelana, vidro, cartão ou plástico mas não atravessam o metal. Por esse motivo não utilize no forno de microondas recipientes metálicos ou recipientes que tenham partes metálicas.

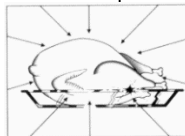
As microondas são reflectidas pelo metal...



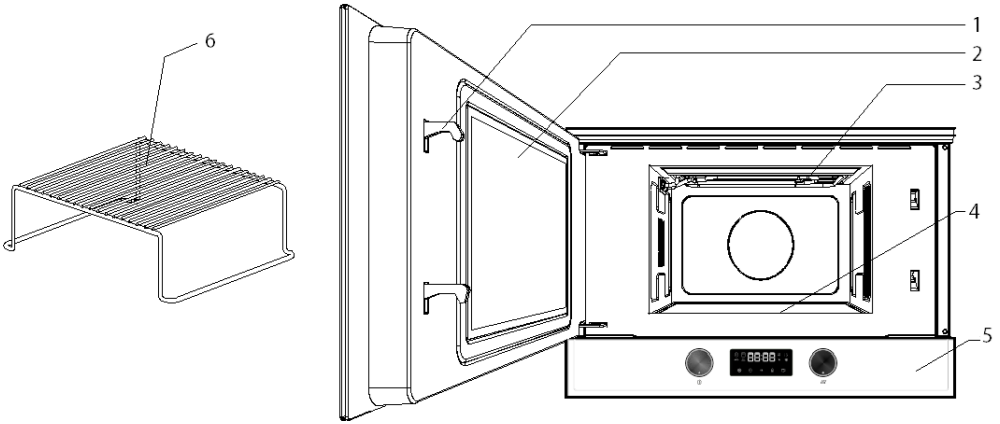
...atravessam o vidro e a porcelana...



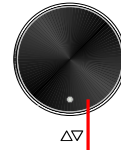
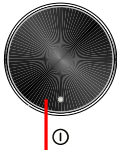
...e são absorvidos pelos alimentos.



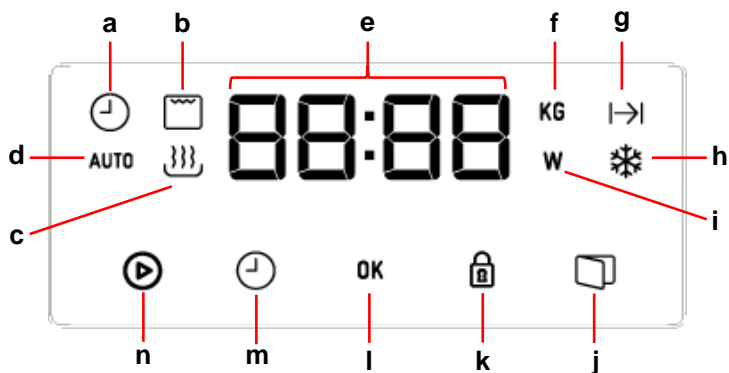
Descrição do forno



- | | |
|-----------------------------|-----------------------|
| 1. Linguetes | 4. Base de cerâmica |
| 2. Vidro da janela da porta | 5. Painel de controlo |
| 3. Grill rebatível | 6. Grelha |



- | | |
|-------------------------------------|--------------------------------|
| 1. Botão de Seleção de função | 5. Tecla Bloqueio de Segurança |
| 2. Botão Start/Stop (Iniciar/Parar) | 6. Botão Abrir Porta |
| 3. Tecla de Relógio | 7. Botão Giratório |
| 4. Tecla OK | |

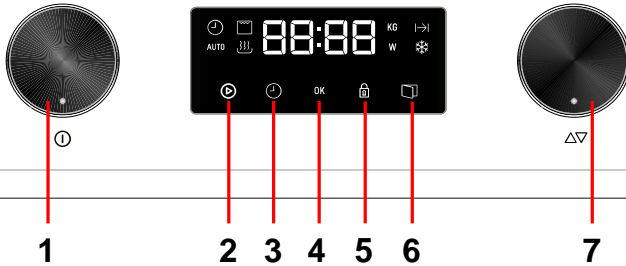


- a** Indicador de Relógio
- b** Indicador de função Grill
- c** Indicador de função Micro-ondas
- b + c** Indicador de Função Grill + Micro-ondas
- d** Indicador de Função Especial
- e** Display (mostrador)
- f** Descongelação por Peso
- g** Indicador de Duração
- h** Descongelação por Tempo
- i** Indicador de Potência
- j** Botão Abrir Porta
- k** Tecla Bloqueio de Segurança
- l** Tecla OK
- m** Tecla de Relógio
- n** Botão Start/Stop (Iniciar/Parar)

Descrição das Funções

Símbolo	Função	Potência Saída Micro-ondas	Alimentos
	Micro-ondas	90 W	Descongelação lenta para alimentos delicados; manter quente
		180 W	Cozinhar com pouco calor; refogar arroz Descongelação rápida
		360 W	Derreter manteiga Aquecer alimento para bebé
		600 W	Cozinhar legumes e alimentos Cozinhar e aquecer cuidadosamente, Aquecer e cozinhar pequenas quantidades Aquecer alimentos delicados
		850 W	Cozinhar e aquecer rapidamente líquidos e alimentos pré confeccionados,
	Micro-ondas + Grill	90 W	Gratinar tostas
		180 W	Grelhar aves e carne
		360 W	Cozinhar empadões e gratinados
	Grill	---	Preparação de rolo de carne

Regulações base



Acerto do relógio

Depois de o Micro-ondas ser ligado pela primeira vez ou depois de uma falha de energia, o mostrador do relógio fica intermitente para indicar que a hora apresentada não está correcta. Para acertar o relógio, proceda do seguinte modo:

1. Prima a tecla Relógio (3) quando o display (mostrador) exibir o relógio (não é necessário depois de uma falha de energia ou numa primeira ligação). Os dígitos das horas ficam intermitentes.
2. Rode o Botão Giratório (7) para definir o valor correcto para a hora.
3. Prima novamente a tecla o Relógio (3) para definir os minutos. Os dígitos dos minutos ficam intermitentes.
4. Rode o Botão Giratório (7) para definir o valor correcto para os minutos.
5. Para terminar, prima novamente a tecla Relógio (3).

Ocultar/Mostrar o Relógio

Se o relógio incomodar pode ocultá-lo pressionando a tecla **Relógio** (3) durante 3 segundos. Os pontos que separam as horas dos minutos permanecerão a piscar enquanto o relógio estiver oculto.

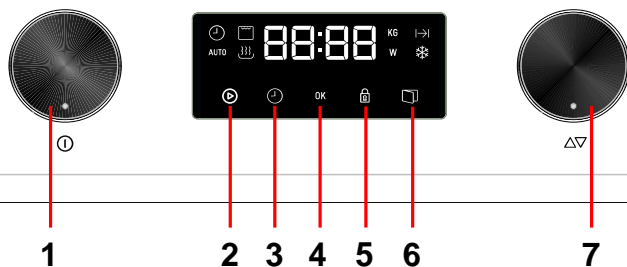
Se pretender voltar a mostrar o relógio, prima novamente a tecla **Relógio** (3) durante 3 segundos.

Bloqueio de Segurança

O funcionamento do forno pode ser bloqueado (por exemplo, para impedir a sua utilização por crianças).

1. Para bloquear o forno, prima a tecla de Bloqueio de Segurança (5) durante 3 segundos. O forno emitirá um sinal sonoro e o mostrador inferior irá exibir o símbolo "🔒". Neste estado, o forno encontra-se bloqueado, não podendo ser utilizado.
2. Para desbloquear o forno, prima novamente a tecla Bloqueio de Segurança (5) durante 3 segundos. O forno emitirá um sinal sonoro e o mostrador inferior irá exibir novamente as horas.

Funções Básicas



Micro-ondas

Utilizar esta função para cozer e aquecer verduras, batatas, arroz, peixe e carne.

1. Rode o botão Selector de Função (1) até que o indicador da função Micro-ondas acenda. O display (mostrador) exibe 10:00 intermitente.
2. Rode o botão Giratório (7) em qualquer direção para definir a duração.
3. Prima a tecla OK (4) para confirmar. O valor da potência dos micro-ondas pisca no mostrador inferior. O indicador de potência dos micro-ondas começa a piscar.
4. Rode o botão Giratório (7) em qualquer direção para definir o nível de potência do micro-ondas. Se não premir este botão, o forno funciona a 850 W de potência por defeito.
5. Prima a tecla OK (4) para confirmar.
6. Prima o botão Start/Stop (Iniciar/Parar) (2). O forno começa a funcionar.

NOTA:

O botão Start (Iniciar) pode ser premido em qualquer altura seguindo a sequência acima para o forno iniciar o processo de cozinhar com os parâmetros que surgem no mostrador.

Grill

Utilize esta função para dourar rapidamente os alimentos.

1. Rode o botão Selector de Função (1) até que o indicador da função Grill acenda. O display exibe 10:00 intermitente.
2. Rode o botão Giratório (7) em qualquer direção para definir a duração.
3. Prima a tecla OK (4) para confirmar.
4. Prima o botão Start/Stop (Iniciar/Parar) (2). O forno começa a funcionar.

Micro-ondas + Grill

Utilizar esta função para dourar rapidamente a superfície dos alimentos.

1. Rode o botão Selector de Função (1) até que a luz da função Micro-ondas + Grill acenda. O display exibe 10:00 intermitente.
2. Rode o botão Giratório (7) em qualquer direção para definir a duração.
3. Prima a tecla OK (4) para confirmar. O valor da potência das micro-ondas pisca no display. O indicador de potência das micro-ondas começa a piscar.
4. Rode o botão Giratório (7) em qualquer direção para definir o nível de potência das micro-ondas. Se não premir este botão, o forno funciona a 360 W de potência por defeito. A potência máxima que pode ser selecionada é 360 W.
5. Prima a tecla OK (4) para confirmar.
6. Prima o botão Start/Stop (Iniciar/Parar) (2). O forno começa a funcionar.

NOTA:

O botão **Start (Iniciar)** pode ser premido em qualquer altura seguindo a sequência acima para o forno iniciar o processo de cozinhar com os parâmetros que surgem no mostrador.

Descongelação por tempo (manual)

Utilizar esta função para descongelar todo o tipo de comida rapidamente.

1. Rode o botão Selector de Função (1) até que o indicador da função Descongelação por Tempo acenda. O display exhibe 10:00 intermitente.
2. Rode o botão Giratório (7) em qualquer direção para definir a duração.
3. Prima a tecla OK (4) para confirmar.
4. Prima o botão Start/Stop (Iniciar/Parar) (2). O forno começa a funcionar.
5. Vire os alimentos sempre que o forno emitir um sinal sonoro e o display exhibir a palavra intermitente: *ευρη*.

Descongelação por peso (automático)

Use esta função para descongelar rapidamente carne, aves, peixe, fruta e pão.

1. Rode o botão Selector de Função (1) até que o indicador da função Descongelação por Peso acenda. O display exhibe o tipo de alimentos “Pr 1” intermitente.
2. Rode o botão Giratório (7) em qualquer direção para definir o tipo de alimento. Se não rodar este botão, o micro-ondas funciona com o tipo “Pr 1” por defeito.

3. Prima a tecla OK (4) para confirmar. O peso dos alimentos pisca no display. O indicador do peso começa a piscar.
4. Rode o botão Giratório (7) em qualquer direção para definir o peso dos alimentos. Se não rodar este botão, o forno funciona com 200 g por defeito.
5. Prima a tecla OK (4) para confirmar.
6. Prima o botão Start/Stop (Iniciar/Parar) (2). O forno começa a funcionar.
7. Vire os alimentos sempre que o forno emitir um sinal sonoro e o mostrador exhibir a palavra intermitente: *ευρη*.

A tabela seguinte mostra os programas para descongelar por peso, indicando os intervalos de peso e tempos de descongelação e de conservação (para assegurar que os alimentos mantêm uma temperatura uniforme).

Programa	Alimento	Peso (kg)	Tempo (min.)	Tempo de conservação (min.)
Pr 1	Carne	100 – 2500	3 – 75	20 – 30
Pr 2	Aves	100 – 2500	3 – 75	20 – 30
Pr 3	Peixe	100 – 2500	3 – 83'20	20 – 30
Pr 4	Fruta	100 – 1000	2'37 – 26	10 – 20
Pr 5	Pão	100 – 1500	2'24 – 36'15	10 – 20

Nota importante: ver “Indicações gerais para a descongelação”.

Funções Especiais**Função Especial “Auto”**

Use esta função para cozinhar vários tipos de alimentos.

1. Rode o botão Selector de Função (1) até que o indicador de Função Especial «Auto» acenda. O display exhibe o programa “P1” intermitente.
2. Rode o botão Giratório (7) em qualquer direção para definir o programa. Se não rodar este botão, o forno funciona com o programa “P1”.
3. Prima a tecla OK (4) para confirmar.
4. Prima o botão Start/Stop (Iniciar/Parar) (2). O forno começa a funcionar.

A tabela seguinte mostra os programas disponíveis na Função Especial “Auto”:

Programa	Tipo de cozinhado	Tempo (min.)	Instruções
P1	Cozer batatas	10	Coloque as batatas (aprox. 500g) e alguma água num recipiente resistente ao calor sobre a base de cerâmica.
P2	Refogados/Estufados	19	Coloque o refogado/estufado (por exemplo: Couve, frango estufado) numa taça, tapar e colocar sobre a base de cerâmica.

Notas importantes:

- Use sempre pratos adequados ao Micro-ondas e uma tampa para cobrir de modo a evitar a perda de líquidos.
- O tempo necessário para aquecer a comida irá depender da sua temperatura inicial. A comida retirada directamente do frigorífico irá demorar mais tempo a aquecer que a comida que está à temperatura ambiente. Se a temperatura não estiver ao seu gosto, selecione um peso superior ou inferior da próxima vez que aquecer a comida.
- Depois de aquecer, mexa a comida e em seguida deixe-a repousar durante algum tempo para permitir que os alimentos tenham uma temperatura uniforme.
- **Aviso!** Depois de aquecer, o recipiente poderá estar muito quente. Embora os Micro-ondas não aqueçam a maioria dos recipientes, estes poderão ficar quentes pela transmissão de calor pela comida.

Durante o funcionamento...

Interrupção de um cozinhado

Pode interromper o processo de cozinhado em qualquer altura pressionando uma vez a tecla **Stop** ou abrindo a porta do forno.

Em qualquer dos casos:

- **Cessa imediatamente a emissão de micro-ondas.**
- O Grill é desactivado mas **mantém uma temperatura muito elevada. Perigo de queimadura!**
- O temporizador pára e o **display** indica o tempo de funcionamento restante.

Se pretender pode então:

1. Virar ou mexer os alimentos, para obter um cozinhado uniforme.
2. Alterar os parâmetros do processo.
3. Cancelar o processo, pressionando novamente a tecla Stop.

Para retomar o processo, feche a porta e prima a tecla Start.

Alteração dos parâmetros

O tempo pode ser alterado quando o processo de cozinhado está interrompido, procedendo da seguinte forma:

Rodar o **Botão giratório (7)** para seleccionar um novo tempo.

A potência só pode ser alterada se o processo de cozinhado estiver interrompido

- Carregar uma vez no Botão Start/Stop (2). O forno para de funcionar;
- Carregar o Botão OK (4), até o display piscar;
- Rodar o Botão giratório (7) para seleccionar uma nova potência,
- Carregar de novo no Botão OK (4) para validar;
- Carregar no Botão Start/Stop (2), o forno volta a funcionar com os novos parâmetros.

Cancelar um cozinhado

Se pretender cancelar o processo de cozinhado, prima a tecla **Start/Stop** durante 3 segundos.

Em seguida, é emitido um sinal acústico e no **display** (mostrador) aparece a indicação das horas.

Descongelação

A seguinte tabela apresenta, de um modo geral, os diferentes tempos de descongelação e de repouso (de modo a garantir que o alimento alcance uma

Fim de um cozinhado

No final do processo são emitidos 3 sinais acústicos e no mostrador aparece a indicação **“End”**.

Os sinais acústicos são repetidos a cada 30 segundos, até que a porta seja aberta ou a tecla **Stop** seja premida.

temperatura uniforme) em função do tipo e do peso dos alimentos e também as respetivas recomendações.

Alimento	Peso (kg)	Tempo de descongelação (min)	Tempo de repouso (min)	Observação
Pedacos de carne, porco, vitela, vaca	0.1	2-3	5-10	Virar 1 x
	0.2	4-5	5-10	Virar 1 x
	0.5	10-12	10-15	Virar 2 x
	1.0	21-23	20-30	Virar 2 x
	1.5	32-34	20-30	Virar 2 x
	2.0	43-45	25-35	Virar 3 x
Carne estufada	0.5	8-10	10-15	Virar 2 x
	1.0	17-19	20-30	Virar 3 x
Carne picada	0.1	2-4	10-15	Virar 1 x
	0.5	10-14	20-30	Virar 2 x
Salsicha	0.2	4-6	10-15	Virar 1 x
	0.5	9-12	15-20	Virar 2 x
Aves, partes de aves	0.25	5-6	5-10	Virar 1 x
Frango	1.0	20-24	20-30	Virar 2 x
	2.5	38-42	25-35	Virar 3 x
Filetes de peixe	0.2	4-5	5-10	Virar 1 x
Truta	0.25	5-6	5-10	Virar 1 x
Camarão	0.1	2-3	5-10	Virar 1 x
	0.5	8-11	15-20	Virar 2 x
Fruta	0.2	4-5	5-10	Virar 1 x
	0.3	8-9	5-10	Virar 1 x
	0.5	11-14	10-20	Virar 2 x
Pão	0.2	4-5	5-10	Virar 1 x
	0.5	10-12	10-15	Virar 1 x
	0.8	15-17	10-20	Virar 2 x
Manteiga	0.25	8-10	10-15	

Alimento	Peso (kg)	Tempo de descongelação (min)	Tempo de repouso (min)	Observação
Requeijão	0.25	6-8	10-15	
Natas	0.25	7-8	10-15	

Indicações gerais para a descongelação

1. Para a descongelação, utilize apenas loiça adequada para micro-ondas (porcelana, vidro, plástico apropriado).
2. A função descongelação por peso e as tabelas referem-se à descongelação de alimentos crus.
3. O tempo de descongelação depende da quantidade e da altura do alimento. Quando congelar os alimentos tenha em conta o processo de descongelação. Distribua o alimento em partes iguais ao tamanho do recipiente.
4. Distribua o melhor possível o alimento no interior do forno. As partes mais grossas de peixe ou das coxas de frango devem estar viradas para fora. Pode proteger as partes mais delicadas com uma folha de alumínio. **Importante:** a folha de alumínio não pode entrar em contacto com as paredes da cavidade, pois pode causar arco elétrico.
5. As peças mais densas devem ser viradas várias vezes.
6. Distribua o alimento congelado do modo mais uniforme possível, pois as partes mais estreitas e finas descongelam mais rapidamente do que as partes mais grossas e altas.
7. Os alimentos ricos em gordura como a manteiga, o requeijão e as natas não devem ser totalmente descongeladas. Se estiverem à temperatura ambiente, em poucos minutos estarão prontos a ser servidos. No caso das natas ultra-congeladas, se houver pequenos pedaços de gelo, é necessário batê-las antes de as consumir.
8. Coloque as aves sobre um prato para que o molho da carne possa escorrer mais facilmente.
9. O pão deve ser envolvido num guardanapo, para não secar demasiado.
10. Virar os alimentos em intervalos regulares.
11. Retire o alimento congelado da embalagem e não se esqueça de remover os clips de metal, caso existam. No caso dos recipientes que servem para guardar os alimentos no congelador e que também podem ser utilizados para aquecer e cozinhar, retire somente a tampa. Nos restantes casos, coloque os alimentos em recipientes adequados para fornos micro-ondas.
12. O líquido resultante da descongelação, principalmente das aves, deve ser deitado fora e em caso algum entrar em contacto com os restantes alimentos.
13. Tenha atenção que na função de descongelação automática é necessário um tempo de repouso, até o alimento estar completamente descongelado.

Cozinhar com Micro-ondas

Atenção! Leia atentamente o capítulo “Indicações de Segurança” antes de cozinhar com micro-ondas.

Siga as seguintes recomendações ao cozinhar com micro-ondas:

- Antes de aquecer ou cozinhar alimentos com casca ou **pele** (p. ex. maçãs, tomates, batatas, salsichas) **pique-os**, para que não rebentem. Corte o alimento antes de iniciar a sua preparação

- Antes de utilizar um recipiente, verifique se o mesmo é adequado para micro-ondas (ver capítulo sobre o tipo de loiça).
- Ao confeccionar alimentos com pouca humidade (p. ex. **descongelar pão**, fazer pipocas, etc.) dá-se uma evaporação rápida. O forno funciona deste modo em vazio e o alimento pode carbonizar. Esta situação pode causar danos no forno e na loiça. Deste modo, ajuste apenas o tempo necessário e vigie o cozinhado.
- Não é possível aquecer grandes quantidades de óleo (**fritar**) no micro-ondas.
- Retire os **pratos pré-confeccionados** das embalagens, pois estas nem sempre são resistentes ao calor. Siga as instruções indicadas pelo fabricante.
- **Se tiver vários recipientes**, como por exemplo chávenas, disponha-os uniformemente sobre a Base de cerâmica.
- Não feche os **sacos de plástico** com molas de metal, mas sim com molas de plástico. Perfure várias vezes o saco para que o vapor possa sair facilmente.
- Ao aquecer ou cozinhar alimentos certifique-se de que atingem uma **temperatura mínima de 70°C**.
- Durante o cozinhado pode haver formação de **vapor de água** no vidro da porta e eventualmente acabar por pingar. Esta situação é normal e pode ser mesmo mais significativa se a temperatura ambiente for baixa. A segurança do forno não é posta em causa. Depois do cozinhado limpe a água resultante da condensação.
- Quando aquecer líquidos, utilize **recipientes com uma grande abertura**, para que o vapor possa sair facilmente.

Prepare os alimentos de acordo com as indicações e tenha em atenção os tempos

de cozinhado e níveis de potência indicados nas tabelas.

Tenha em atenção que os valores referidos são apenas indicativos e que podem variar em função do estado inicial, da temperatura, da humidade e do tipo de alimento. É aconselhado ajustar os tempos e os níveis de potência a cada situação. Em função do alimento é necessário aumentar ou encurtar os tempos cozinhado ou então elevar ou baixar o nível de potência.

Cozinhar com micro-ondas...

1. Quanto maior for a quantidade dos alimentos, mais longo é o tempo de cozinhado. Tenha em atenção que:
 - Dobro da quantidade » dobro do tempo
 - Metade da quantidade » metade do tempo
2. Quanto menor a temperatura, maior é o tempo de cozinhado.
3. Os alimentos líquidos aquecem mais rapidamente.
4. Uma boa distribuição dos alimentos facilita um cozinhado uniforme. Se colocar os alimentos densos na parte exterior do recipiente e os menos densos no centro do recipiente, poderá aquecer diferentes tipos de alimentos em simultâneo.
5. A porta do forno pode ser aberta em qualquer momento. Ele desliga-se automaticamente. O micro-ondas só continua a funcionar se fechar a porta e premir novamente o botão **START**.
6. Os alimentos tapados requerem menos tempo de cozinhado, para além de preservarem melhor as próprias características. A tampa tem de deixar passar as micro-ondas e ter pequenos orifícios que permitam a saída do vapor.

Tabelas e sugestões – Cozinhar legumes

Alimento	Quantidade (kg)	Adição de líquidos	Potência (Watt)	Nível de Potência	Tempo (min.)	Tempo de repouso (min.)
Couve-flor	0.5	1/8 l	850	5	9-11	2-3
Brócolos	0.3	1/8 l	850	5	6-8	2-3
Cogumelos	0.25	-	850	5	6-8	2-3
Ervilhas & cenouras,	0.3	½ chávena	850	5	7-9	2-3
Cenouras congeladas	0.25	2-3 colher sopa	850	5	8-10	2-3
Batatas	0.25	2-3 colher sopa	850	5	5-7	2-3
Páprica	0.25	-	850	5	5-7	2-3
Alho-porro	0.25	½ chávena	850	5	5-7	2-3
Couve-de-bruxelas, congelada	0.3	½ chávena	850	5	6-8	2-3
Chucrute	0.25	½ chávena	850	5	8-10	2-3

Tabelas e sugestões – Cozinhar peixe

Alimento	Quantidade (kg)	Potência (Watt)	Nível de Potência	Tempo (min.)	Tempo em repouso (min.)	Indicações
Filetes de peixe	0.5	600	4	10-12	3	Cozinhar tapado. Virar após ter decorrido metade do tempo.
Peixe inteiro	0.8	850 360	5 3	3-5 10-12	2-3	Cozinhar tapado. Virar após ter decorrido metade do tempo. Eventualmente cobrir as extremidades finas do peixe.

Cozinhar com Grill

Para obter bons resultados com o Grill, utilize a grelha fornecida em conjunto com o forno.

Posicione a grelha de modo a não entrar em contato com as superfícies metálicas da cavidade, pois existe o perigo de arco elétrico, o que pode danificar o forno.

INDICAÇÕES IMPORTANTES:

1. Quando o Grill é utilizado pela primeira vez verifica-se a formação de algum fumo e

cheiro, que resultam da utilização de óleos durante o processo de fabrico.

2. O vidro da porta atinge temperaturas muito altas durante a utilização do Grill. **Mantenha as crianças afastadas.**
3. Aqueça previamente o Grill durante 2 minutos. Se não houver qualquer indicação em contrário, utilize a grelha.
4. Durante o funcionamento do Grill as paredes da cavidade e a grelha atingem

temperaturas muito elevadas. Aconselha-se a utilização de luvas de cozinha.

5. Durante uma utilização mais prolongada do Grill é normal que as resistências se desliguem temporariamente, devido ao termóstato de segurança.

6. Importante! Quando os alimentos são grelhados ou cozinhados em recipientes é necessário verificar se o recipiente é ou não adequado. Ver capítulo sobre o tipo de loiça!

7. Ao utilizar o Grill é possível que os salpicos de gordura cheguem à resistência e fiquem queimados. Esta é uma situação

normal e não representa qualquer tipo de falha de funcionamento.

8. Após cada cozinhado, limpe o interior e os acessórios, para que a sujidade não fique incrustada

Tabela e sugestões – Micro-ondas + Grill

A função Micro-ondas com Grill é ideal para cozinhar rapidamente e, ao mesmo tempo, dourar alimentos. Para além disso, pode também gratinar os alimentos.

O Micro-ondas e o Grill funcionam simultaneamente. As Micro-ondas cozinham e o Grill tosta.

Prato	Quantidade (kg)	Loiça	Potência (Watt)	Nível de Potência	Tempo (min.)
Massa gratinada	0.5	Forma baixa	180	2	17-20
Batatas gratinadas	0.8	Forma baixa	600	5	24-28
Lasanha	aprox. 0.8	Forma baixa	600	5	15-20
Requeijão gratinado	aprox. 0.5	Forma baixa	180	4	18-20
2 pernas de frango, fresco (sobre a grelha)	cada 0.2	Forma baixa	360	3	15-20
Frango	aprox. 1.0	Recipiente alto e largo	360	4	40-45
Gratinar sopa de cebola	2 chávenas de 0.2	Malgas de sopa	360	3	4-8

Antes de utilizar loiça e recipientes no micro-ondas, verifique se estes são adequados. Utilize somente loiça adequada para micro-ondas.

A loiça a ser utilizada na função combinado tem de ser adequada para micro-ondas e para Grill. Ver capítulo sobre o tipo de loiça!

Tenha em atenção que os valores referidos são apenas indicativos e que podem variar em função do estado inicial, da temperatura, da humidade e do tipo de alimento.

Se o tempo não foi suficiente para dourar bem o alimento, ponha-o durante mais 5 ou 10 min. na função Grill.

Os gratinados e as aves requerem um tempo extra de cozinhado, entre 3 a 5 minutos, para que a temperatura se distribua uniformemente.

Os valores indicados nas tabelas são válidos tendo em atenção que a cavidade está fria (não é necessário aquecer previamente).

Que tipo de loiça pode ser utilizada?

Função Micro-ondas

Na função micro-ondas tenha em atenção que as micro-ondas são refletidas pelas superfícies metálicas. O vidro, a porcelana, o barro, o plástico, o papel deixam passar as micro-ondas.

Por isso **as panelas e a loiça de metal ou os recipientes com partes ou decorações metálicas não podem ser utilizados no micro-ondas**. O vidro e o barro com **decorações ou partes metálicas** (p. ex. cristal de chumbo) não podem ser utilizados.

O **ideal** para cozinhar no forno micro-ondas é utilizar vidro, porcelana ou barro refratários e plástico resistente ao calor. O vidro e a porcelana muito finos e frágeis devem ser utilizados durante pouco tempo, para descongelar ou aquecer alimentos já confeccionados.

Os alimentos quentes transmitem calor à loiça, a qual pode ficar muito quente. Por isso, utilize sempre uma **pega!**

Teste à loiça

Coloque a loiça no forno durante 20 segundos à potência máxima de micro-ondas. Se esta estiver fria ou pouco quente indica que é adequada. Porém, se aquecer muito ou causar arco elétrico não é adequada.

Função Grill

No caso da função Grill a loiça tem de ser resistente pelo menos a temperaturas de 300°C.

A loiça de plástico não é adequada.

Função micro-ondas + Grill

Na função micro-ondas + Grill a loiça a utilizar tem de ser adequada tanto para micro-ondas como para Grill.

Recipientes e películas de alumínio

Os pratos pré confeccionados em recipientes de alumínio ou com folha de alumínio podem ser colocados no micro-ondas se forem respeitados os seguintes aspetos:

Tenha em atenção as recomendações do fabricante constantes na embalagem.

- Os recipientes de alumínio não podem ter uma altura superior a 3 cm e entrar em contacto com as paredes da cavidade (**distância mínima de 3 cm**). A tampa de alumínio tem de ser removida.
- Coloque o recipiente de alumínio diretamente sobre a Base de cerâmica. Se utilizar a grelha, coloque o recipiente sobre um prato de porcelana. Nunca coloque o recipiente diretamente sobre a grelha!
- O tempo de cozinhado é mais longo porque as micro-ondas entram nos alimentos somente a partir de cima. Em caso de dúvida, utilize somente loiça adequada para micro-ondas.
- A folha de alumínio pode ser utilizada para refletir as micro-ondas durante o processo de descongelação. Os alimentos delicados, como aves ou peixes, podem ser protegidos do calor excessivo cobrindo as respetivas extremidades.
- **Importante:** a folha de alumínio não pode entrar em contacto com as paredes da cavidade, pois pode provocar arco elétrico.

Tampas

É recomendada a utilização de tampas de vidro, de plástico ou de uma película aderente, porque deste modo: (UNICAMENTE PARA A FUNÇÃO MICRO-ONDAS)

1. Impede uma evaporação excessiva (principalmente nos períodos de cozinhado muito longos);

2. O processo de cozinhado é mais rápido;
3. Os alimentos não ficam secos;
4. É preservado o aroma.

A tampa deve possuir orifícios para que não se forme qualquer tipo de pressão. Os sacos

de plástico devem igualmente ter aberturas. Tanto os biberões como os frascos com comida para bebé e outros recipientes semelhantes só podem ser aquecidos sem tampa, pois podem rebentar.

Tabela – Loiça

Tipo de loiça	Modo de funcionamento	Micro-ondas		Grill	Micro-ondas + Grill
		Descongelar/ aquecer	Cozinhar		
Vidro e porcelana 1) Doméstico, não resistente ao fogo, pode ser lavado na máquina de lavar loiça		sim	sim	não	não
Cerâmica vidrada Vidro e porcelana resistente ao fogo		sim	sim	sim	sim
Cerâmica, loiça de grés 2) Sem vidrados ou vidrados sem decorações metálicas		sim	sim	não	não
Loiça de barro 2) Vidrado Não vidrado		sim não	sim não	não não	não não
Loiça de plástico 2) Resistente ao calor até 100°C Resistente ao calor até 250°C		sim sim	não sim	não não	não não
Películas de plástico 3) Filme plástico para alimentos Celofane		não sim	não sim	não não	não não
Papel, cartão, pergaminho 4)		sim	não	não	não
Metal Folha de alumínio Embalagens de alumínio 5) Acessórios		sim não sim	não sim sim	sim sim sim	não sim sim

1. Sem rebordo dourado ou prateado e sem cristal de chumbo.
2. Tenha em atenção as indicações do fabricante!
3. Não utilize cliques de metal para fechar os sacos. Perfure os sacos. Utilize as películas apenas para tapar.
4. Não utilize pratos de papel.
5. Somente embalagens de alumínio pouco profundas e sem tampa. O alumínio não pode entrar em contacto com as paredes da cavidade.

Limpeza e Manutenção do forno

A limpeza é a única manutenção normalmente requerida.

Atenção! O forno micro-ondas deve ser limpo regularmente, devendo ser removidos

todos os restos de comida. Caso o forno micro-ondas não seja mantido devidamente limpo pode ocorrer a deterioração da sua superfície, **podendo ser reduzida a vida útil**

do forno e eventualmente resultar numa situação perigosa.

Atenção! A limpeza deve ser efetuada com o forno desligado da alimentação elétrica. Retire a ficha da tomada ou desligue o circuito de alimentação do forno.

Não utilize produtos de limpeza agressivos ou abrasivos, esfregões que riscuem ou objetos pontiagudos.

Não utilize aparelhos de limpeza a alta pressão ou a jato de vapor.

Superfície frontal

Basta limpar o forno com um pano húmido. Se estiver muito sujo, adicione algumas gotas de detergente da loiça à água da lavagem. Depois limpe o forno com um pano seco.

Remova imediatamente as manchas de calcário, gordura, amido, clara de ovo. Sob estas manchas pode ocorrer corrosão.

Evite a entrada de água no interior do forno.

Interior do forno

Após cada utilização, limpe as paredes interiores com um pano húmido porque assim é mais fácil remover os salpicos e a comida agarrada.

Para retirar a sujidade mais difícil, use um produto de limpeza não agressivo. **Não utilize sprays de forno nem outros produtos de limpeza agressivos ou abrasivos.**

Mantenha a porta e a frente do forno sempre bem limpas de modo a assegurar um correto funcionamento.

Evite a entrada de água nos orifícios de ventilação do micro-ondas.

Regularmente, limpe a base da cavidade, especialmente se tiverem ocorrido derrames de líquidos.

Não ligue o forno sem a Base de cerâmica.

Se a cavidade do forno estiver muito suja, coloque um copo com água sobre a Base de cerâmica e ligue o forno micro-ondas durante 2 ou 3 minutos na potência máxima. O vapor libertado amolecerá a sujidade que será facilmente limpa com um pano macio.

Os odores desagradáveis (por ex., depois de cozinhar peixe) podem ser facilmente eliminados. Deite algumas gotas de sumo de limão numa chávena com água. Introduza uma colher de café na chávena para evitar uma ebulição retardada. Aqueça a água durante 2 a 3 minutos à potência máxima de micro-ondas.

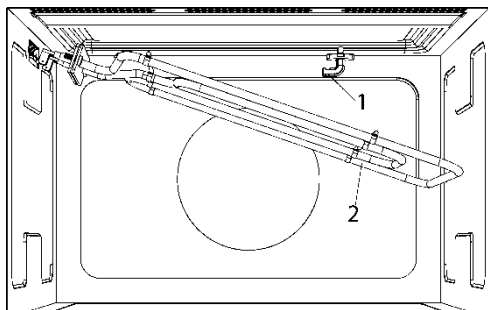
Teto do Forno

Se o teto do forno estiver sujo, o Grill pode ser baixado para facilitar a limpeza.

Aguarde até que o Grill esteja frio antes de o baixar, para evitar o perigo de queimadura. Proceda da seguinte forma:

1. Rode 90° o Suporte do Grill (1).
2. Baixe suavemente o Grill (2). **Não use força excessiva pois pode causar danos.**
3. Depois de limpar o teto reponha o Grill (2) no seu sítio, repetindo o procedimento inverso.

AVISO IMPORTANTE: O Suporte do Grill (1) pode cair enquanto é rodado. Se tal acontecer, insira o Suporte do Grill (1) no orifício existente no teto da cavidade e rode-o 90° até à posição de suporte do Grill (2).



Acessórios

Limpe os acessórios após cada utilização. No caso de estar bastante sujo, ponha primeiro de molho e, em seguida, utilize uma escova e uma esponja. Os acessórios

podem ser lavados na máquina de lavar loiça.

Certifique-se de que a Base de cerâmica está sempre limpa. Não ligue o forno sem a Base de cerâmica.

O que fazer em caso de falha de funcionamento?

ATENÇÃO! Qualquer tipo de reparação só pode ser executada por técnicos especializados. Qualquer reparação efetuada por pessoas não autorizadas pelo fabricante é perigosa.

As questões seguintes podem ser corrigidas sem contactar a Assistência Técnica.

- **O mostrador está apagado! Verificar se:**

- A indicação das horas foi desligada (ver capítulo sobre Regulações Base).

- **Não acontece nada quando se premem as teclas! Verificar se:**

- O Bloqueio de Segurança está ativo (ver capítulo sobre Regulações Base).

- **O forno não funciona! Verificar se:**

- A ficha está corretamente ligada à tomada.
- O circuito de alimentação do forno está ligado.
- A porta está completamente fechada. A porta tem de fechar de forma audível.
- Existem corpos estranhos entre a porta e a frente da cavidade.

- **Durante o funcionamento do forno ouvem-se ruídos estranhos! Verificar se:**

- Existem arcos elétricos no interior do forno gerados por objetos metálicos estranhos (ver capítulo sobre o tipo de Loiça).
- A loiça entra em contacto com as paredes do forno.

- Existem espetos ou colheres soltos no interior do forno.

- **Os alimentos não aquecem ou aquecem muito lentamente! Verificar se:**

- Utilizou inadvertidamente loiça de metal.
- Selecionou o tempo de funcionamento e o nível de potência adequados.
- Colocou no interior do forno uma quantidade maior ou mais fria de alimentos, do que habitualmente.

- **O alimento está excessivamente quente, ressequido ou então queimado! Verificar se selecionou o tempo de funcionamento e o nível de potência adequados.**

- **Ouve-se um ruído depois de um processo ter terminado! Isto não é um problema. O ventilador de refrigeração continua a funcionar durante algum tempo. Quando a temperatura baixar o suficiente o ventilador desligar-se-á.**

- **O forno funciona mas a iluminação interior não acende! Se todas as funções operam corretamente é provável que a lâmpada esteja fundida. Pode continuar a utilizar o aparelho.**

- **O mostrador indica a mensagem “cErr”**

Desligue o aparelho da tomada e aguarde aproximadamente 5 segundos. Volte a ligar o aparelho, a mensagem “cErr” deixara de aparecer e o aparelho encontra se operacional.

Substituição da Lâmpada

Caso necessite de substituir a lâmpada contactar a Assistência Técnica.

Características técnicas

Especificações

- Tensão AC (ver placa de características)
- Potência requerida..... 2700 W
- Potência do Grill..... 1250 W
- Potência de saída Micro-ondas..... 850 W
- Frequência de Micro-ondas... 2450 MHz
- Dimensões exteriores (LxAxP)..... 595 × 390 × 334 mm
- Dimensões da cavidade (LxAxP)..... 350 × 220 × 280 mm
- Capacidade do forno..... 22 ltr
- Peso..... 22 kg

Proteção ambiental

Eliminação da embalagem

A embalagem está assinalada com o Ponto Verde.

Para eliminar todos os materiais de embalagem, como o cartão, esferovite e as películas utilize os contentores adequados, deste modo é garantida a reutilização destes materiais.

Eliminação de aparelhos fora de uso

A diretiva Europeia 2012/19/EU referente à gestão de Resíduos de Equipamentos Elétricos e Eletrónicos (REEE), prevê que os eletrodomésticos não devam ser escoados no fluxo normal dos resíduos sólidos urbanos.

Os aparelhos desatualizados devem ser recolhidos separadamente para otimizar a taxa de recuperação e reciclagem dos materiais que os compõem e impedir potenciais danos para a saúde humana e para o ambiente. O símbolo constituído por um contentor de lixo barrado com uma cruz deve ser colocado em todos os produtos de forma a recordar a obrigatoriedade de recolha separada.

Os consumidores devem contactar as autoridades locais ou os pontos de venda para solicitar informação referente ao local apropriado onde devem depositar os eletrodomésticos velhos.

Antes de eliminar o seu aparelho, inutilize-o. Puxe o cabo de alimentação, corte-o e elimine-o.

Instruções de instalação

Antes da instalação

Verificar que a tensão de alimentação indicada na placa de características corresponde à tensão da sua instalação.

Abra a porta e **retire todos os acessórios** e o material de embalagem.

Atenção! A superfície frontal do forno pode estar envolvida numa **película de proteção**. Antes da primeira utilização, retire esta película cuidadosamente, começando pela parte inferior.

Certifique-se de que o forno não está danificado. Verifique se a porta do forno fecha corretamente e se o interior da porta e a frente da cavidade não estão danificadas. Em caso de danos contacte o Serviço de Assistência Técnica.

NÃO UTILIZE O FORNO se o cabo de alimentação ou a ficha estiverem danificados, se o forno não funcionar corretamente ou se tiver sofrido danos ou tiver caído. Contacte o Serviço de Assistência Técnica.

Coloque o forno sobre uma superfície plana e estável. O forno não deve ser colocado próximo de elementos de calor, rádios e televisores.

Durante a instalação, certifique-se de que o cabo de alimentação não entra em contacto com humidade, objetos com

arestas vivas ou a traseira do forno, pois as elevadas temperaturas podem danificar o cabo.

Atenção: após a instalação do forno é necessário assegurar o acesso à ficha.

Após a instalação

O forno está equipado com um cabo de alimentação e ficha para corrente monofásica.

A montagem definitiva do forno deve ser feita por um técnico qualificado. Neste caso, o forno deve ser ligado a um circuito através de um disjuntor de pólos com uma separação mínima de 3 mm entre os contactos.

ATENÇÃO: O FORNO TEM QUE SER OBRIGATORIAMENTE CONECTADO À TERRA.

O fabricante e os revendedores declinam qualquer responsabilidade por eventuais danos causados a pessoas, animais ou bens no caso de se verificar inobservância destas instruções de instalação.

O forno só funciona se a porta estiver corretamente fechada.

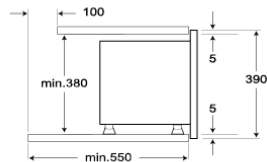
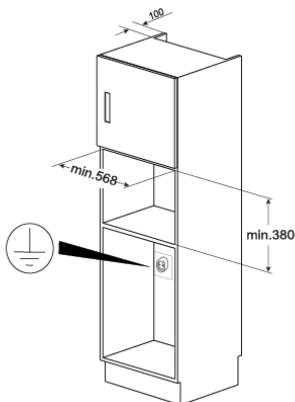
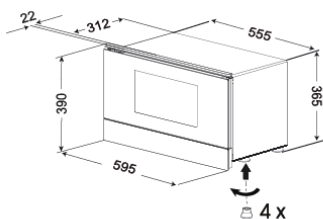
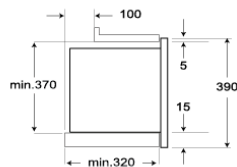
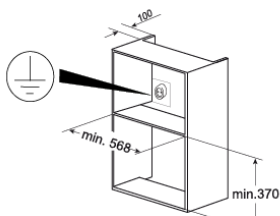
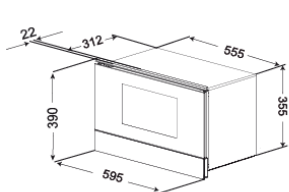
Antes da primeira utilização, limpe o interior do forno e os acessórios, seguindo as indicações relativas à limpeza constantes no ponto “Limpeza e Manutenção do forno”.

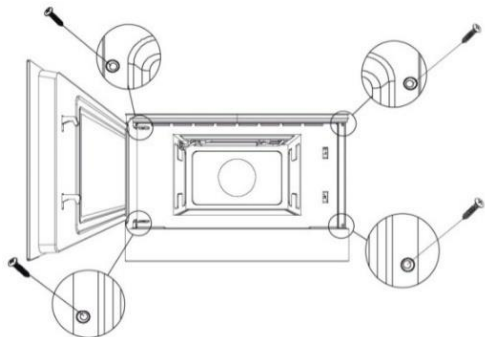
Installation / Instalación / Instalação

EN This microwave is designed to be installed above 850mm from floor level. This microwave cannot be installed under a worktop or below another oven, in order to avoid liquid spillage.

ES Este microondas está diseñado para ser instalado a una altura de al menos 850 mm sobre el nivel del suelo. Este microondas no se puede instalar debajo de una encimera o debajo de otro horno, para evitar derrames de líquidos.

PT Este micro-ondas foi desenhado para ser instalado acima de 850mm do nível do chão. Este micro-ondas não pode ser instalado debaixo de uma bancada ou debaixo de outro forno, de forma a evitar derrames líquidos.





EN

- Push oven completely into the cabinet and centre it.
- Open microwave door and fasten the appliance to the cabinet using the four screws provided. Insert the screws through the front holes.

ES

- Introduzca el horno en el mueble hasta que el marco quede alineado.
- Abra la puerta del horno y fíjelo a las paredes laterales del mueble, con los 4 tornillos suministrados, atravesándose los 4 agujeros en el marco del horno.

PT

- Introduza o forno no móvel até que o aro toque no móvel e alinhe-o.
- Abra a porta do forno e fixe-o às paredes laterais do móvel, com os 4 parafusos fornecidos, através dos 4 furos no aro do forno.



www.teka.com

1730283-g