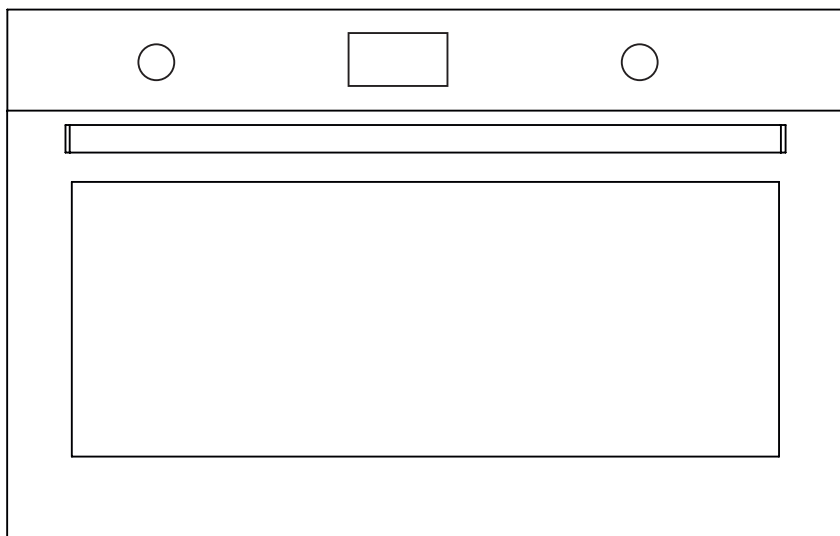


BUILT-IN OVEN

90 cm

Electrical

Eléctricos



USER MANUAL **GB**
MANUAL DO UTILIZADOR **PO**

Dear Customer,

Thank you for relying on this product. We aim to allow you to optimally and efficiently use this environment-friendly product produced in our modern facilities under precise conditions with respect to sense of quality in total.

We advise you to read these operating manual thoroughly before using the oven and keep it permanently so that the features of the built-in oven you have purchased will stay the same as the first day for a long time.

Note: This operating manual is prepared for multiple models. Your appliance may not feature some functions specified in the manual.

The product images are schematic.

This product has been produced in modern environment-friendly facilities without adversely affecting nature.

Products marked with (*) are optional.


“Complies with WEEE Regulation”

Contents

Important warnings.....	4
Electrical connection.....	12
Introducing the appliance.....	13
Accessories.....	14
Technical specifications.....	15
Installation of appliance.....	15
Control panel.....	21
Using the oven.....	23
Using the grill.....	24
Using the chicken roasting.....	24
Program types.....	25
Cooking recommendations.....	26
Cooking table.....	27
Maintenance and cleaning.....	28
Steam cleaning.....	28
Cleaning and mounting oven door.....	29
Cleaning oven glass.....	30
Catalytic panel.....	30
Rack positions.....	31
Replacing oven lamp.....	31
Troubleshooting.....	32
Handling rules.....	34
Recommendations for energy saving.....	34
Environmentally-friendly disposal.....	35
Package information.....	35

IMPORTANT WARNINGS

1. Installation and repair should always be performed by **“AUTHORIZED SERVICE”**. Manufacturer shall not be held responsible for operations performed by unauthorized persons.
2. Please read this operating instructions carefully. Only by this way you can use the appliance safely and in a correct manner.
3. The oven should be used according to operating instructions.
4. Keep children below the age of 8 and pets away when operating.
5. **The accessible parts may be hot during use. Young children must be kept away.**
6. **WARNING: Danger of fire: do not store items on the cooking surfaces.**
7. **WARNING: During use the appliance becomes hot. Care should be taken to avoid touching heating elements inside the oven.**
8. Setting conditions of this device are specified on the label. (Or on the data plate)
9. The accessible parts may be hot when the grill is used. Small children should be kept away.
10. **WARNING: This appliance is intended for cooking. It should not be used for other purposes like heating a room.**
11. To clean the appliance, do not use steam cleaners.



12. Ensure that the oven door is completely closed after putting food inside the oven.

13. NEVER try to put out the fire with water. Only shut down the device circuit and then cover the flame with a cover or a fire blanket.

14. WARNING: Children less than 8 years of age shall be kept away unless continuously supervised.

15. Touching the heating elements should be avoided.

16. CAUTION: Cooking process shall be supervised. Cooking process shall always be supervised.

17. This appliance can be used by children aged from 8 years and above and persons with reduced physical, sensory or mental capabilities or lack of experience and knowledge if they have been given supervision or instruction concerning use of the appliance in a safe way and understand the hazards involved. Children shall not play with the appliance. Cleaning and user maintenance shall not be made by children without supervision.

18. This device has been designed for household use only.

19. Children must not play with the appliance. Cleaning or user maintenance of the appliance shall not be performed by children unless they are older than 8 years and supervised by adults.

20. Keep the appliance and its power cord away from children less than 8 years old.

21. Put curtains, tulle, paper or any flammable (ignitable) material away from the appliance before starting to use the appliance. Do not put ignitable or flammable materials on or in the appliance.

22. Keep the ventilation channels open.

23. The appliance is not suitable for use with an external timer or a separate remote control system.

24. Do not heat closed cans and glass jars. The pressure may lead jars to explode.

25. Oven handle is not a towel drier. Do not hang towels, etc. on the oven handle.

26. Do not place the oven trays, plates or aluminium foils directly on the oven base. The accumulated heat may damage the base of the oven.

27. While placing food to or removing food from the oven, etc., always use heat resistant oven gloves.

28. Do not use the product in states like medicated and/or under influence of alcohol which may affect your ability of judgement.

29. Be careful when using alcohol in your foods. Alcohol will evaporate at high temperatures and may catch fire to cause a fire if it comes in contact with hot surfaces.

30. After each use, check if the unit is turned off.

31. If the appliance is faulty or has a visible damage, do not operate the appliance.

32. Do not touch the plug with wet hands. Do not pull the cord to plug off, always hold the plug.

33. Do not use the appliance with its front door glass removed or broken.

34. Place the baking paper together with the food into a pre-heated oven by putting it inside a cooker or on an oven accessory. (tray, wire grill etc.)

35. Do not put objects that children may reach on the appliance.

36. It is important to place the wire grill and tray properly on the wire racks and/or correctly place the tray on the rack. Place the grill or tray between two rails and make sure it is balanced before putting food on it.

37. Against the risk of touching the oven heater elements, remove excess parts of the baking paper that hang over from the accessory or container.

38. Never use it at higher oven temperatures than the maximum usage temperature indicated on your baking paper. Do not place the baking paper on the base of the oven. Against the risk of touching the oven heater elements, remove excess parts of the baking paper that hang over from the accessory or container.

39. When the door is open, do not place any heavy object on the door or allow children to sit on it. You may cause the oven to overturn or the door hinges to be damaged.

40. The packaging materials are dangerous for children. Keep packaging materials away from the reach of children.

41. Do not use abrasive cleaners or sharp metal scrapers to clean the glass as the scratches that may occur on the surface of the door glass may cause the glass to break.

42. User should not handle the oven by himself.

43. During usage, the internal and external surfaces of the oven get hot. As you open the oven door, step back to avoid the hot vapour coming out from the interior. There is risk of burning.

44. Do not place heavy objects when oven door is open, risk of toppling.

45. Oven supply can be disconnected during any construction work at home. After completing the work, re-connecting the oven shall be done by authorized service.

46. User should not dislocate the resistance during cleaning. It may cause an electric shock.

47. To prevent overheating, the appliance should not be installed behind of a decorative cover.

48. Turn off the appliance before removing the safeguards. After cleaning, install the safeguards according to instructions.

49. Cable fixing point shall be protected.

50. Please don't cook the food directly on the tray / grid. Please put the food into or on appropriate tools before putting them in the oven.

Electrical Safety

1. Plug the appliance in a grounded socket protected by a fuse conforming to the values specified in the technical specifications chart.
2. Have an authorized electrician set grounding equipment. Our company shall not be responsible for the damages that shall be incurred due to using the product without grounding according to local regulations.
3. The circuit breaker switches of the oven shall be placed so that end user can reach them when the oven is installed.
4. The power supply cord (the cord with plug) shall not contact the hot parts of the appliance.
5. If the power supply cord (the cord with plug) is damaged, this cord shall be replaced by the manufacturer or its service agent or an equally qualified personnel to prevent a hazardous situation.
6. Never wash the appliance by spraying or pouring water on it. There is a risk of electrocution.
7. **WARNING: To avoid electric shock, ensure that the device circuit is open before changing the lamp.**
8. **WARNING: Cut off all supply circuit connections before accessing the terminals.**
9. Do not use cut or damaged cords or extension cords other than the original cord.
10. Make sure that there is no liquid or humidity in the outlet where the product plug is installed.

11. The rear surface of the oven also heats up when the oven is operated. Electrical connections shall not touch the rear surface, otherwise the connections may be damaged.

12. Do not tighten the connecting cables to the oven door and do not run them over hot surfaces. If the cord melts, this may cause the oven to short circuit and even a fire.

13. Unplug the unit during installation, maintenance, cleaning and repair.

14. If the power supply cable is damaged, it must be replaced by its manufacturer or authorized technical service or any other personnel qualified at the same level, in order to avoid any dangerous situation.

15. Make sure the plug is inserted firmly into wall socket to avoid sparks.

16. Do not use steam cleaners for cleaning the appliance, otherwise electric shock may occur.

17. An omnipolar switch capable to disconnect power supply is required for installation. Disconnection from power supply shall be provided with a switch or an integrated fuse installed on fixed power supply according to building code.

18. Appliance is equipped with a **type "Y"** cord cable.

19. Fixed connections shall be connected to a power supply enabling omnipolar disconnection. For appliances with over voltage category below III, disconnection device shall be connected to fixed power supply according to wiring code.



Intended Use

1. This product has been designed for domestic use. Commercial use is not permitted.

2. This appliance may only be used for cooking purposes. It shall not be used for other purposes like heating a room.

3. This appliance shall not be used to heat plates under the grill, drying clothes or towels by hanging them on the handle or for heating purposes.

4. The manufacturer assumes no responsibility for any damage due to misuse or mishandling.

5. Oven part of the unit may be used for thawing, roasting, frying and grilling food.

6. Operational life of the product you have purchased is 10 years. This is the period for which the spare parts required for the operation of this product as defined is provided by the manufacturer.

Electrical Connection

This oven must be installed and connected to its place correctly according to manufacturer instructions and by an authorized service.

Appliance must be installed in an oven enclosure providing high ventilation.

Electrical connections of the appliance must be made only via sockets having earth system furnished in compliance with rules. Contact an authorized electrician if there is no socket complying with the earthed system at where appliance will be placed. Manufacturing company is by no means responsible for damage resulting from connection of non-earthed sockets to appliance.

Plug of your oven must be earthed; ensure that socket for the plug is earthed. Plug must be located in a place that can be accessed after installation.

Your oven has been manufactured as 220-240 V 50/60 Hz. AC power supply compliant and requires a 16 Amp fuse. If your power network is different that these indicated values, refer to an electrician or your authorized service.

When you need to replace the electrical fuse, please ensure that electrical connection is made as follows:

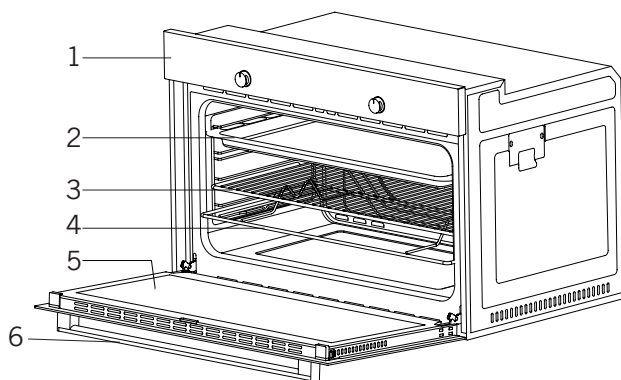
- Phase (to live terminal) brown cable
- Blue cable to neutral terminal
- Yellow-green cable to earth terminal

Oven disconnecting switches must be in an accessible place for final user while oven is in its place.

Power supply cable (plug in cable) mustn't touch hot parts of the appliance.

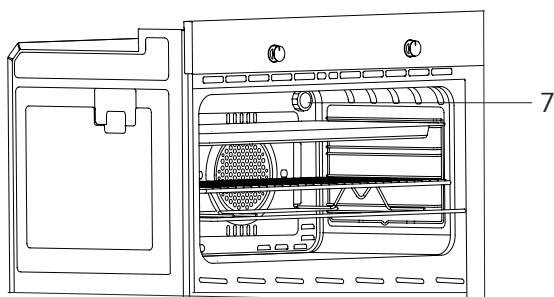
If supply cord (plug in cable) is damaged, this cord must be replaced by the importer or its service agent or an equally competent personnel to prevent a hazardous situation.

INTRODUCING THE APPLIANCE



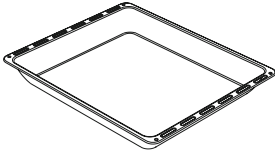
1. Control panel
2. Deep tray
3. In tray wire grill

4. Roast chicken skewer *
5. Oven door
6. Handle



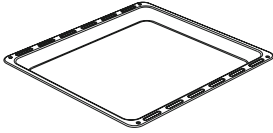
7. Lamp

Accessories (optional)



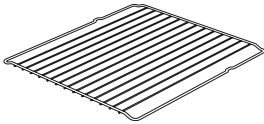
Deep tray *

Used for pastry, big roasts, watery foods. It can also be used as oil collecting container if you roast directly on grill with cake, frozen foods and meat dishes.



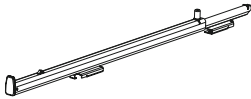
Tray

Used for pastry (cookie, biscuit etc.), frozen foods.



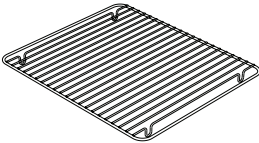
Wire grill

Used for roasting or placing foods to be baked, roasted and frozen into desired rack.



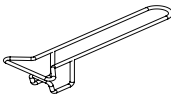
Telescopic rail *

Trays and wire racks can be removed and installed easily thanks to telescopic rails.



In tray wire grill *

Foods to stick while cooking such as steak are placed on in tray grill. Thus contact of food with tray and sticking are prevented.



Tray handle *

It is used to hold hot trays.

Technical Specifications

Specifications	90 cm Built-in Oven
Lamp power	15-25 W
Thermostat	40-240 / Max °C
Lower heater	2000 W
Upper heater	1500 W
Turbo heater	1 x 2200 W / 2 x 1250 W
Grill heater	3250 W
Supply voltage	220-240V AC 50/60 Hz

Technical specifications can be changed without prior notice to improve product quality.

The values provided with the appliance or its accompanying documents are laboratory readings in accordance with the respective standards. These values may differ depending on the use and ambient conditions.

Figures in this guide are schematic and may not be exactly match your product.

INSTALLATION OF APPLIANCE

Ensure that electrical installation is suitable for operationalising the appliance. If not, call an electrician and plumber to make necessary arrangements. Manufacturing firm can't be hold responsible for damages to arise due to operations by unauthorized people and product warranty becomes void.

WARNING: It is customer's responsibility to prepare the location the product shall be placed on and also have power utility prepared.

WARNING: The rules about electrical local standards must be adhered to during product installation.

WARNING: Check for any damage on the product before installing it. Do not have product installed if it's damaged. Damaged products pose danger for your safety.

Important Warnings for Installation:

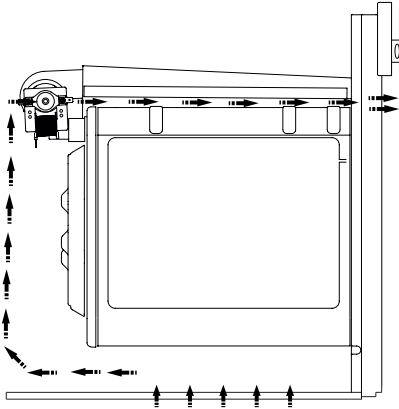


Figure 1

Cooling fan shall take extra steam out and prevent outer surfaces of appliance from overheating during operation of oven. This is a necessary condition for better appliance operation and better cooking. Cooling fan shall continue operation after cooking is finished. Fan shall automatically stop after cooling is completed. A clearance must be left behind the enclosure where you'll place the appliance for efficient and good operation.

This clearance shouldn't be ignored as it's required for ventilation system of the appliance to operate.

Right Place For Installation

Product has been designed to be mounted to worktops procured from market. A safe distance must be left between the product and kitchen walls or furniture. See the drawing provided on the next page for proper distances. (values in mm).

- Used surfaces, synthetic laminates and adhesives must be heat resistant. (minimum 100°C)
- Kitchen cupboards must be level with product and secured.
- If there is a drawer below the oven, a rack must be placed between oven and drawer.

WARNING: Do not install the product next to refrigerators or coolers. The heat emitted by the product increases the energy consumption of cooling devices.

WARNING: Do not use door and/or handle to carry or move the product.

90 cm Built-In Oven Installation and Mounting

Place of use for product must be located before starting installation.

Product mustn't be installed in places which are under the effect of strong air flow.

Carry the product with minimum two people. Do not drag the product so that floor isn't damaged.

Remove all transportation materials inside and outside the product. Remove all materials and documents in the product.

Installation Under Counter

Cabin must match the dimensions provided in figure 2.

A clearance must be provided at the rear part of the cabin as indicated in the figure so that necessary ventilation can be achieved.

After mounting, the clearance between lower and upper part of the counter is indicated in figure 5 with "A". It's for ventilation and shouldn't be covered.

Installation In An Elevated Cabinet

Cabin must match the dimensions provided in figure 4.

The clearances with the dimensions indicated in the figure must be provided at the rear part of cabin, upper and lower sections so that necessary ventilation can be achieved.

Installation Requirements

Product dimensions are provided in the figure 3.

Furniture surfaces for mounting and mounting materials to be used must have a minimum temperature resistance of 100 °C.

Mounting cabin must be secured and its floor must be plane for product not to tilt over.

Cabin floor must have a minimum strength that would handle a load of 60 kg.

Placing and Securing the Oven

Place the oven into the cabin with two or more people.

Ensure that oven's frame and front edge of the furniture match uniformly.

Supply cord mustn't be under the oven, squeeze in between oven and furniture or bend.

Fix the oven to the furniture by using the screws provided with the product. Screws must be mounted as shown in figure 5 by passing them through plastics attached to frame of the product. Screws mustn't be overtightened. Otherwise, screw sockets might be worn.

Check that oven doesn't move after mounting. If oven isn't mounted in accordance with instructions, there is a risk of tilt over during operation.

Electrical Connection

Mounting place of the product must have appropriate electrical installation.

Network voltage must be compatible with the values provided on type label of product.

Product connection must be made in accordance with local and national electrical requirements.

Before starting the mounting disconnect network power. Do not connect the product to network until its mounting is completed.

Mounting



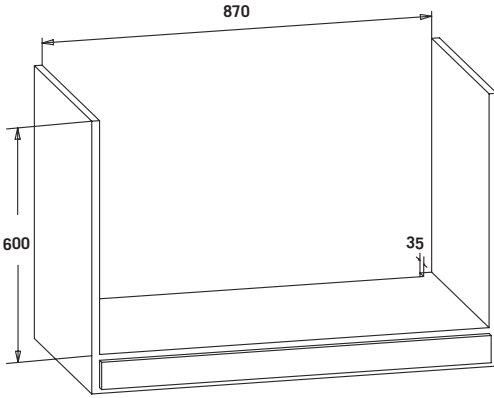


Figure 2

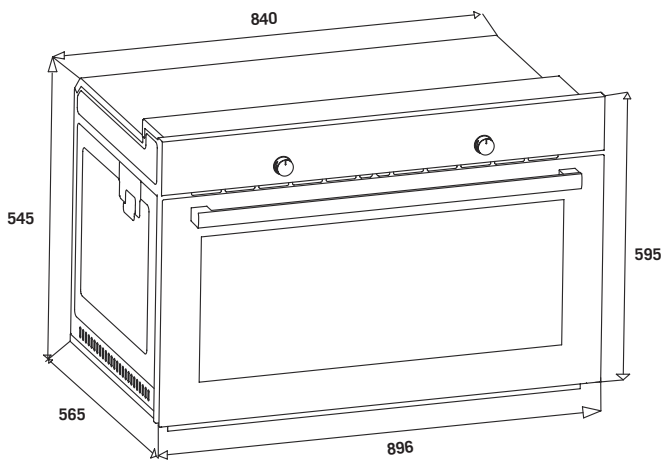
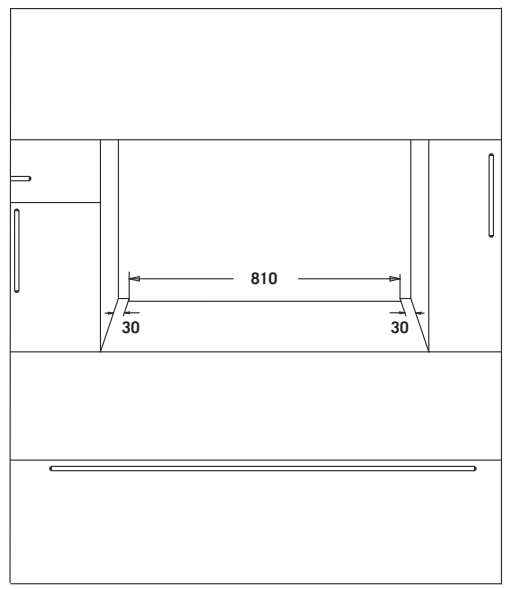


Figure 3

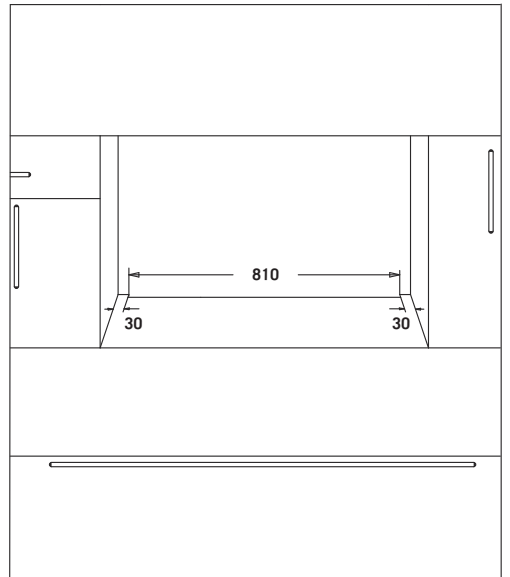
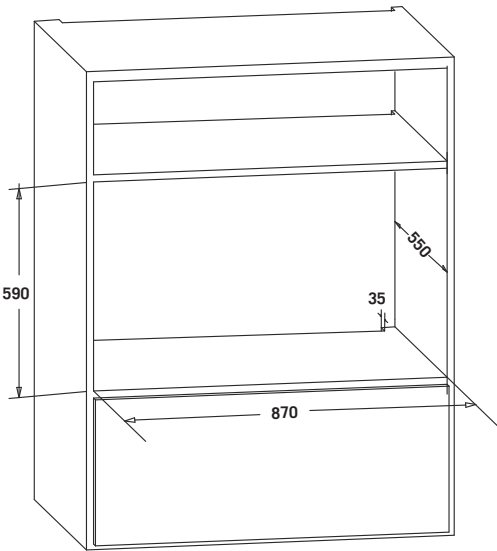
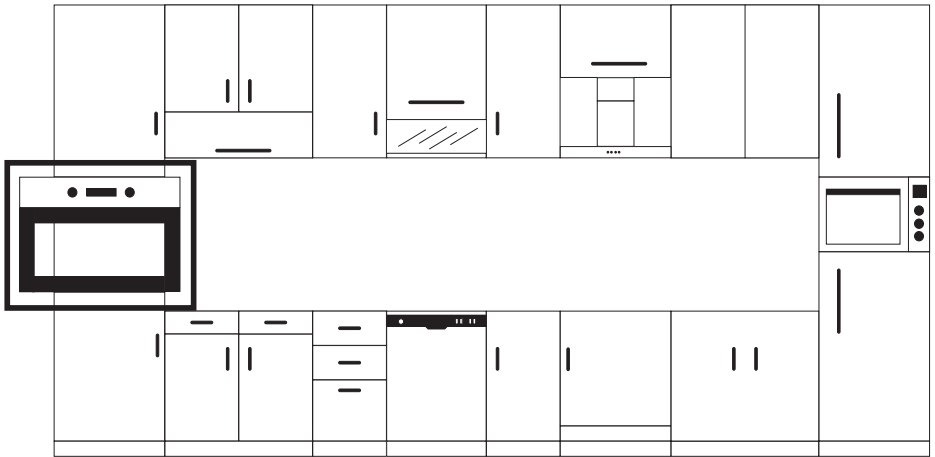


Figure 4

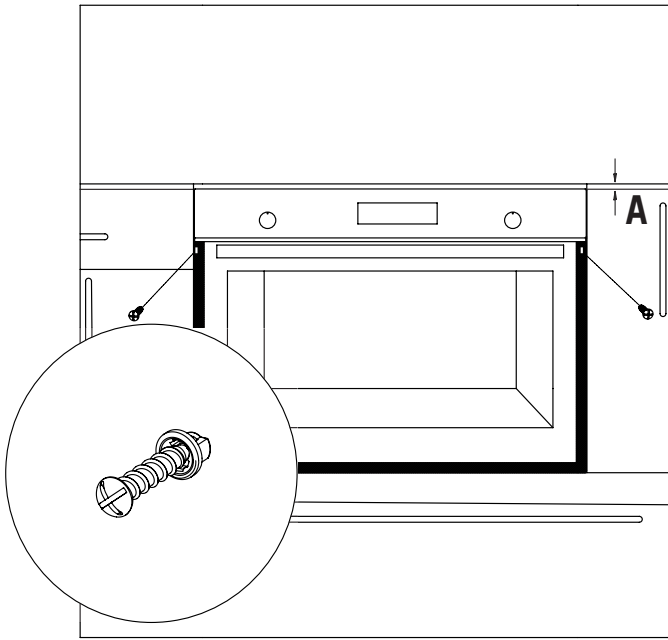


Figure 5

CONTROL PANEL



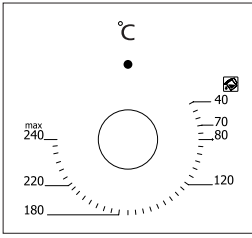
1

2

3

1. Function button
2. Mechanical or digital timer
3. Thermostat

WARNING: The control panel above is only for illustration purposes. Consider the control panel on your device.



Thermostat Button: Helps to set cooking temperature of the food to be cooked in the oven. You can set the desired temperature by turning the button after placing the food into the oven. Check cooking table related to cooking temperatures of different foods.



Mechanical Timer Button *: Helps to set time for the food to be cooked in the oven. Timer de-energizes the heaters when set time expires and warns you by ringing. See cooking table for cooking times.

Using Pop-up Button *

Adjustment can be made only when button is popped for models with pop-up button.



Make sure that button is popped by pressing on the button as shown in the figure at left side.



You can make necessary adjustments by turning right or left when button is popped enough.

USING THE OVEN

Initial Use Of Oven

Here are the things you must do at first use of your oven after making its necessary connections as per instructions:

- 1.** Remove labels or accessories attached inside the oven. If any, take out the protective folio on front side of the appliance.
- 2.** Remove dust and package residues by wiping inside of the oven with a damp cloth. Inside of oven must be empty. Plug the cable of appliance into the electrical socket.
- 3.** Set the thermostat button to the highest temperature (240 Max. °C) and run the oven for 30 minutes with its door closed. Meanwhile a slight smoke and smell might occur and that's a normal situation.
- 4.** Wipe inside of the oven with a slightly warm water with detergent after it becomes cold and then dry with a clean cloth. Now you can use your oven.

Normal Use Of Oven

- 1.** Adjust thermostat button and temperature at which you want to cook the food to start cooking.
- 2.** You can set cooking time to any desired time by using the button at models with mechanical timer. Timer will de-energize heaters when time expired and provide warning beep as ringing.
- 3.** Timer turns the heaters off and provides audible signal when cooking time expires in line with the information entered in the models with digital timer.
- 4.** Cooling system of the appliance will continue to operate after cooking is completed. Do not cut the power of appliance in this situation which is required for appliance to cool down. System will shut down after cooling is completed.

Using The Grill

1. When you place the grill on the top rack, the food on the grill shall not touch the grill.
2. You can preheat for 5 minutes while grilling. If necessary, you may turn the food upside down.
3. Food shall be in the center of the grill to provide maximum air flow through the oven.

To turn on the grill;

1. Place the function button over the grill symbol.
2. Then, set it to the desired grill temperature.

To turn the grill off;

Set the function button to the off position.

WARNING: Keep the oven door closed while grilling.

Using The Chicken Roasting *

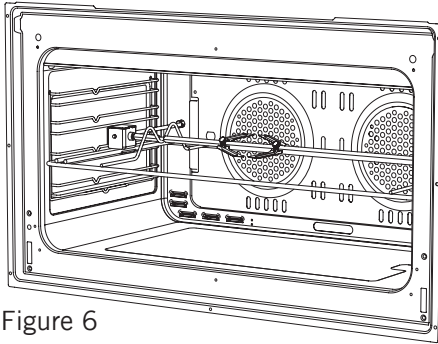
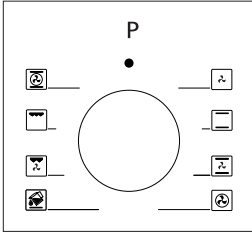


Figure 6

Place the spit on the frame. Slide turn spit frame into the oven at the desired level. Locate a dripping pan through the bottom in order to collect the fat. Add some water in dripping pan for easy cleaning. Do not forget to remove plastic part from spit. After grilling, screw the plastic handle to the skewer and take out the food from oven.

PROGRAM TYPES



Program Button: Helps to set with which heaters the food placed in oven will be cooked. Heater program types in this button and their functions are stated below. Every model might not have all heater types and thus program types of these heaters.

Heating program types in your appliance and important explanations of them are provided below for you can cook different foods appealing to your taste.

	Lower and upper heating elements		Fan
	Lower heating element and fan		Turbo heater and fan
	Grill and roast chicken		Lower-upper heating element and fan
	Upper heating element and fan		Grill and fan
	Multifunctional cooking (3D)		Grill
	Lower heating element		Upper heating element
	Small grill and fan		Steam cleaning

Lower heating element: Select this program towards end of cooking time if lower part of the food cooked will be roasted.

Upper heating element: Used for post heating or roasting very little pieces of foods.

Lower and upper heating elements: A program that can be used for cooking foods like cake, pizza, biscuit and cookie.

Lower heating element and fan: Use mostly for cooking foods like fruit cake.

Lower and upper heating element and fan: The program suitable for cooking foods like cakes, dried cakes, lasagne. Suitable for cooking meat dishes, as well.

Grill: Grill cooker is used for grilling meat like foods such as steak, sausage and fish. While grilling, tray should be placed in the lower rack and water must be placed in it.

Turbo heater and fan: Suitable for baking and roasting. Keep heat setting lower than "Lower and Upper Heater" program since heat is conveyed immediately via air flow.

Grill and fan: Suitable for cooking meat type foods. Do not forget to place a cooking tray in a lower rack inside the oven and a little water in it while grilling.

Multi Functional Cooking (3D): Suitable for baking and roasting. Lower and upper heaters operate as well as quick transmission of heat via air flow. Suitable for cooking requiring single tray and intense heat.

COOKING RECOMMENDATIONS

You can find in the following table the information of food types which we tested and identified their cooking values in our labs. Cooking times can vary depending on the network voltage, quality of material to be cooked, quantity and temperature. Dishes to cook by using these values might not appeal to your taste. You can set various values for obtaining different tastes and results appealing to your taste by making tests.

WARNING: Oven must be preheated for 7-10 minutes before placing the food in it.

Cooking Table

Food	Cooking function	Cooking temperature (°C)	Cooking rack	Cooking time (min.)
Cake	Static	180	2	70
Small cake	Static	180	2	40
Pie	Static	200	2	70
Pastry	Static+fan	180-200	2	20-25
Cookie	Static	175	2	20
Apple pie	Static	180-190	1	150
Sponge cake	Static	175	2	45-50
Pizza	Static	190	2	25
Lasagne	Static	180-200	2	50-60
Meringue	Static	100	2	60
Grilled chicken *	Grill+fan	220	4	25-35
Grilled fish *	Grill+fan	220	4	35-40
Calf steak *	Grill	Max.	4	30
Grilled meatball *	Grill	Max.	4	40

* Food must be turned after half of the cooking time.

MAINTENANCE AND CLEANING

1. Remove the power plug from electrical socket.
2. Do not clean inner parts, panel, trays and other parts of the product with hard tools such as bristle brush, wire wool or knife. Do not use abrasive, scratching materials or detergent.
3. Rinse after wiping the parts at inner parts of the product with soapy cloth, then dry thoroughly with a soft cloth.
4. Clean glass surfaces with special glass cleaning material.
5. Do not clean your product with steam cleaners.
6. Never use combustibles like acid, thinner and gas while cleaning your product.
7. Do not wash any part of the product in dishwasher.
8. "Use potassium stearate (soft soap) for dirt and stains.

Steam Cleaning *

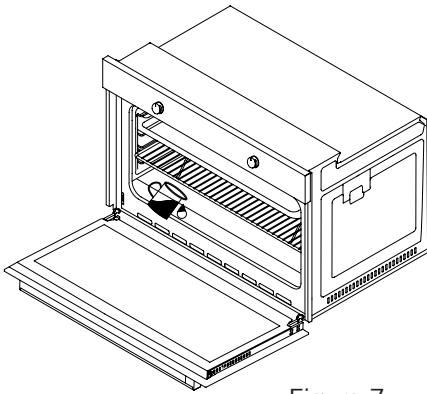


Figure 7

It enables cleaning the soils softened thanks to the steam to be generated in the oven.

1. Remove all the accessories in the oven.
2. Pour a half litre of water into the tray and Place the tray at the bottom of the boiler.
3. Set the switch to the steam cleaning mode.
4. Set the thermostat to 70 °C degrees and operate the oven for 30 minutes.

5. After operating the oven for 30 minutes, open the oven door and wipe the inner surfaces with a wet cloth.

6. Use dish-washing liquid, warm water and a soft cloth for stubborn dirt, then dry off the area you have just cleaned with a dry cloth.

Cleaning And Mounting Oven Door

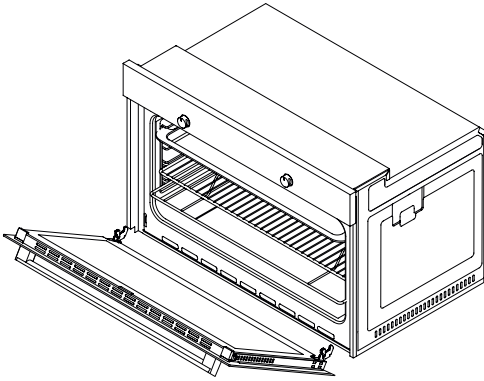


Figure 8

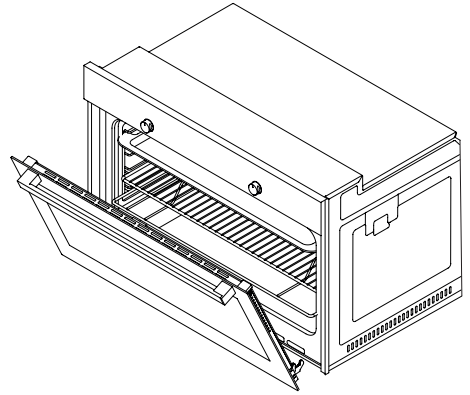


Figure 9

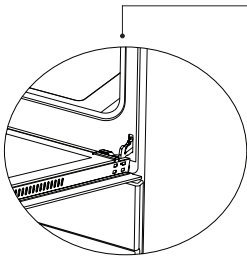


Figure 8.1

Open the door fully by pulling the oven door toward yourself. Then perform unlock operation by pulling the hinge lock upwards with the aid of screwdriver as indicated in **figure 8.1**.

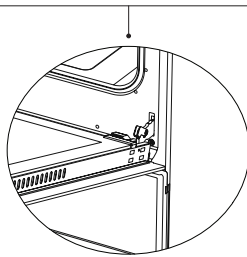


Figure 8.2

Set the hinge lock to the widest angle as in **figure 8.2**. Adjust both hinges connecting oven door to the oven to the same position.

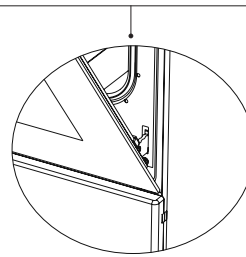


Figure 9.1

Later, close the opened oven door so that it will be in a position to contact with hinge lock as in **figure 9.1**.

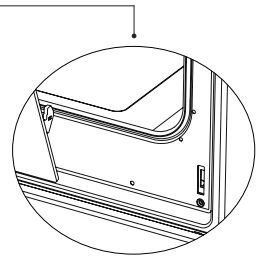


Figure 9.2

For easier removal of oven door, when it comes close to closed position, hold the cover with two hands as in **figure 9.2** and pull upwards.

Reversely perform respectively what you did while opening door to reinstall oven door back.

Cleaning Oven Glass

Lift by pressing on plastic latches on left and right side as shown in figure 10 and pulling the profile toward yourself as in figure 11. Glass is released after profile is removed as shown in figure 12. Remove the released glass by pulling toward yourself carefully. Outer glass is fixed to oven door profile. You can perform glass cleaning easily after glasses are released. You can mount glasses back by performing the operations reversely after cleaning and maintenance are completed. Ensure that profile is seated properly in place.

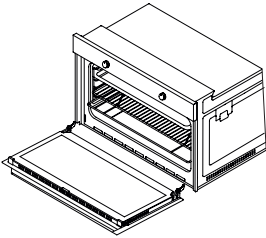


Figure 10

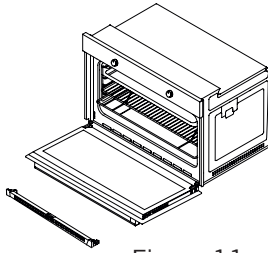


Figure 11

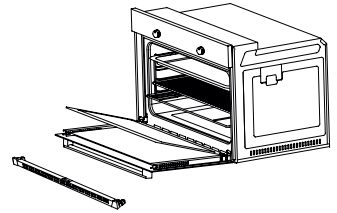


Figure 12

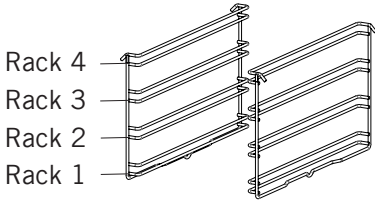
Catalytic Panel *

It is located behind the wire racks of the oven, at the right and left walls of oven cavity. Catalytic panel removes offensive odour and provides using your appliance at its best performance. Over time, oil and food odours permeate into enamelled oven walls and heating elements. Catalytic panel absorbs any food and oil odours, and burns them during cooking to clean your oven.

Detaching catalytic panel

To remove catalytic panel; first remove the wire racks. Once wire racks are removed, catalytic panel will be free. It is advised to replace the catalytic panel once every 2-3 years.

Rack Positions:



It is important to place the wire grill into the oven properly. Do not allow wire rack to touch rear wall of the oven. Rack positions are shown in the next figure. You may place a deep tray or a standard tray in the lower and upper wire racks.

Installing and removing wire racks

To remove wire racks, press the clips shown with arrows in the figure, first remove the lower, and then the upper side from installation location. To install wire racks; reverse the procedure for removing wire rack.

Replacing Oven Lamp

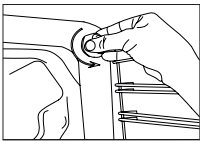
WARNING: To avoid electric shock, ensure that the appliance circuit is open before changing the lamp. (having circuit open means power is off) First disconnect the power of appliance and ensure that appliance is cold.

Remove the glass protection by turning as indicated in the figure on the left side. If you have difficulty in turning, then using plastic gloves will help you in turning.

Then remove the lamp by turning, install the new lamp with same specifications.

Reinstall glass protection, plug the power cable of appliance into electrical socket and complete replacement. Now you can use your oven.

Type G9 Lamp



220-240 V, AC
15-25 W

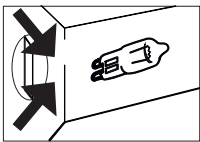
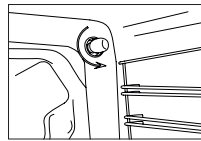


Figure 13

Type E14 Lamp



220-240 V, AC
15 W

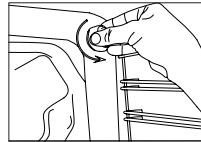


Figure 14

TROUBLESHOOTING

You may solve the problems you may encounter with your product by checking the following points before calling the technical service.

Check Points

In case you experience a problem about the oven, first check the table below and try out the suggestions.

Problem	Possible Cause	What to Do
Oven does not operate.	Power supply not available.	Check for power supply.
Oven stops during cooking.	Plug comes out from the wall socket.	Re-install the plug into wall socket.
Turns off during cooking.	Too long continuous operation.	Let the oven cool down after long cooking cycles.
	Cooling fan not operating.	Listen the sound from the cooling fan.
	Oven not installed in a location with good ventilation.	Make sure clearances specified in operating instructions are maintained.
	More than one plugs in a wall socket.	Use only one plug for each wall socket.
Outer surface of the oven gets very hot during operation.	Oven not installed in a location with good ventilation.	Make sure clearances specified in operating instructions are maintained.
Oven door is not opening properly.	Food residues jammed between the door and internal cavity.	Clean the oven well and try to re-open the door.
Internal light is dim or does not operate.	Foreign object covering the lamp during cooking.	Clean internal surface of the oven and check again.
	Lamp might be failed.	Replace with a lamp with same specifications.
Electric shock when touching the oven.	No proper grounding.	Make sure power supply is grounded properly.
	Ungrounded wall socket is used.	

Problem	Possible Cause	What to Do
Water dripping.	Water or steam may generate under certain conditions depending on the food being cooked. This is not a fault of the appliance.	Let the oven cool down and then wipe dry with a cloth.
Steam coming out from a crack on oven door.		
Water remaining inside the oven.		
The cooling fan continues to operate after cooking is finished.	The fan operates for a certain period for ventilation of internal cavity of the oven.	This is not a fault of the appliance; therefore you don't have to worry.
Oven does not heat.	Oven door is open.	Close the door and restart.
	Oven controls not correctly adjusted.	Read the section regarding operation of the oven and reset the oven.
	Fuse tripped or circuit breaker turned off.	Replace the fuse or reset the circuit breaker. If this is repeating frequently, call an electrician.
Smoke coming out during operation.	When operating the oven for the first time	Smoke comes out from the heaters. This is not a fault. After 2-3 cycles, there will be no more smoke.
	Food on heater.	Let the oven to cool down and clean food residues from the ground of the oven and surface of upper heater.
When operating the oven burnt or plastic odour coming out.	Plastic or other not heat resistant accessories are being used inside the oven.	At high temperatures, use suitable glassware accessories.
Oven does not cook well.	Oven door is opened frequently during cooking.	Do not open oven door frequently, if the food you are cooking does not require turning. If you open the door frequently internal temperature drops and therefore cooking result will be influenced.

HANDLING RULES

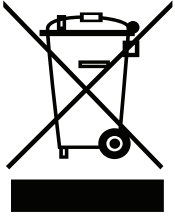
1. Do not use the door and/or handle to carry or move the appliance.
2. Carry out the movement and transportation in the original packaging.
3. Pay maximum attention to the appliance while loading/unloading and handling.
4. Make sure that the packaging is securely closed during handling and transportation.
5. Protect from external factors (such as humidity, water, etc.) that may damage the packaging.
6. Be careful not to damage the appliance due to bumps, crashes, drops, etc. while handling and transporting and not to break or deform it during operation.

RECOMMENDATIONS FOR ENERGY SAVING

Following details will help you use your product ecologically and economically.

1. Use dark coloured and enamel containers that conduct the heat better in the oven.
2. As you cook your food, if the recipe or the user manual indicates that pre-heating is required, pre-heat the oven.
3. Do not open the oven door frequently while cooking.
4. Try not to cook multiple dishes simultaneously in the oven. You may cook at the same time by placing two cookers on the wire rack.
5. Cook multiple dishes successively. The oven will not lose heat.
6. Turn off the oven a few minutes before the expiration time of cooking. In this case, do not open the oven door.
7. Defrost the frozen food before cooking.

ENVIRONMENTALLY-FRIENDLY DISPOSAL



Dispose of packaging in an environmentally-friendly manner.

This appliance is labelled in accordance with European Directive 2012/19/EU concerning used electrical and electronic appliances (waste electrical and electronic equipment - WEEE). The guideline determines the framework for the return and recycling of used appliances as applicable throughout to the EU.

PACKAGE INFORMATION

Packaging materials of the product are manufactured from recyclable materials in accordance with our National Environment Regulations. Do not dispose of the packaging materials together with the domestic or other wastes. Take them to the packaging material collection points designated by the local authorities.

Caro Cliente,

Obrigado por confiar neste produto.

O nosso objetivo é permitir que utilize este produto amigo do ambiente, que é fabricado nas nossas modernas instalações sob condições estritas em relação ao sentido de qualidade global, da melhor maneira possível e de modo eficiente.

Recomendamos que leia integralmente este manual de funcionamento antes de utilizar o forno e conserve-o permanentemente para que as características do forno encastrado que adquiriu permaneçam as mesmas desde o primeiro dia e por muito tempo.

Observação: Este manual de utilização está preparado para vários modelos. O seu aparelho pode não apresentar algumas funções especificadas no manual.

As imagens do produto são esquemáticas.

Este produto foi produzido em instalações modernas amigas do ambiente, que não afetam negativamente a natureza.

Os produtos marcados com (*) são opcionais.

"Em conformidade com Regulamento AEEE"

Índice

Advertências importantes.....	38
Ligação elétrica.....	47
Acessórios.....	49
Especificações técnicas.....	50
Instalação do aparelho.....	50
Painel de controlo.....	56
Utilização do forno.....	58
Usar o grelhador.....	59
Usar o assador de frango.....	59
Tipos de programas.....	60
Recomendações para a cozedura.....	61
Tabela de cozedura.....	62
Manutenção e limpeza.....	63
Limpeza a vapor.....	63
Limpeza e a montagem da porta do forno.....	64
Limpeza do vidro do forno.....	65
Posições da grelha.....	66
Substituição da lâmpada do forno.....	67
Resolução de problemas.....	68
Regras de manuseamento.....	70
Recomendações de eficiência energética.....	70
Eliminação amiga do ambiente.....	71
Informação sobre a embalagem.....	71

ADVERTÊNCIAS IMPORTANTES

1. A instalação e reparação devem ser sempre realizadas por **“ASSISTÊNCIA AUTORIZADA”**. O fabricante não será responsável pelas operações realizadas por pessoas não autorizadas.

2. Deve ler cuidadosamente estas instruções de funcionamento. Apenas desta forma pode usar o aparelho em segurança e de forma correta.

3. O forno deverá ser usado de acordo com as instruções de funcionamento.

4. Manter afastadas as crianças com menos de 8 anos e os animais quando estiver a utilizar.

5. **As peças acessíveis podem ficar quentes durante a utilização. Manter as crianças pequenas afastadas.**

6. **ADVERTÊNCIA: Perigo de incêndio: não armazenar os artigos sobre as superfícies de cozedura.**

7. **ADVERTÊNCIA: Durante a utilização o aparelho fica quente. Tomar cuidados para evitar tocar nos elementos de aquecimento dentro do forno.**

8. As condições de montagem deste dispositivo são especificadas na etiqueta. (Ou na chapa de dados)

9. As partes acessíveis podem ficar quentes quando o grelhador é usado. As crianças pequenas devem ser mantidas afastadas.

10. **ADVERTÊNCIA: Este aparelho é destinado para cozinhar. Não deve ser usado para outros fins como para aquecer uma sala.**

11. Não usar aparelhos de limpeza a vapor para limpar o aparelho.

12. Assegurar que a porta do forno está completamente fechada depois de colocar os alimentos dentro do forno.

13. NUNCA tentar apagar o fogo com água. Desligar apenas o circuito do dispositivo e cobrir a chama com uma cobertura ou uma manta corta-fogo.

14. **ADVERTÊNCIA: Manter afastadas as crianças com menos de 8 anos a menos que supervisionadas continuamente.**

15. Deve ser evitado tocar nos elementos de aquecimento.

16. **CUIDADO: O processo de cozedura deve ser vigiado. O processo de cozedura deve ser sempre vigiado.**

17. Este equipamento pode ser usado por crianças a partir de 8 anos e mais e por pessoas com capacidades físicas, sensoriais ou mentais reduzidas ou com falta de experiência e conhecimento se lhes tiver sido dada a supervisão ou instrução relativamente ao uso do equipamento de uma forma segura e entender os riscos envolvidos. As crianças não devem brincar com o aparelho. A limpeza e a manutenção do utilizador não devem ser feitas por crianças sem supervisão.

18. Este dispositivo foi concebido apenas para uso doméstico.

19. As crianças não devem brincar com o aparelho. A limpeza ou manutenção do utilizador não deve ser feita por crianças a menos que tenham mais de 8 anos e sejam vigiadas por adultos.

20. Manter o aparelho e o respetivo cabo de alimentação afastado das crianças com menos de 8 anos.

21. Colocar as cortinas, tules, papel ou qualquer material inflamável (comburente) longe do aparelho antes de começar a usar o aparelho. Não colocar materiais comburentes ou inflamáveis sobre ou no interior do aparelho.

22. Manter os canais de ventilação abertos.

23. O aparelho não é adequado para usar com um temporizador externo ou sistema de controlo remoto separado.

24. Não aquecer latas fechadas e frascos de vidro. A pressão pode levar os frascos a explodir.

25. A pega do forno não é um secador de toalhas. Não pendurar toalhas, etc. na pega do forno.

26. Não colocar os tabuleiros do forno, placas ou folhas de alumínio diretamente sobre a base do forno. O calor acumulado pode danificar a base do forno.

27. Ao colocar ou retirar alimentos do forno, etc., usar sempre luvas de forno resistentes ao calor.

28. Não usar o produto em estados como sob influência de medicamentos e/ou de álcool que possam afetar a sua capacidade de discernimento.

29. Ter cuidado quando usar álcool nos seus alimentos. O álcool irá evaporar a temperaturas elevadas e pode incendiar-se provocando um incêndio, se entrar em contacto com superfícies quentes.

30. Após cada utilização, verificar se a unidade está desligada.

31. Se o aparelho estiver defeituoso ou apresentar danos visíveis, não utilizar o aparelho.

32. Não tocar na ficha com as mãos molhadas. Não puxar o cabo para desligar, segurar sempre pela ficha.

33. Não usar o aparelho com o vidro da porta da frente retirado ou partido.

34. Colocar o papel vegetal junto com o alimento num forno pré-aquecido, colocando-o dentro de uma panela ou num acessório de forno (tabuleiro, grelha de arame, etc.).

35. Não colocar sobre o aparelho objetos que as crianças possam alcançar.

36. É importante colocar a grelha de arame e bandeja corretamente nas prateleiras de arame e/ou colocar corretamente o tabuleiro na prateleira. Colocar a grelha ou o tabuleiro entre duas guias e verificar se está equilibrada antes de colocar alimentos sobre ela.

37. Para evitar o risco de tocar nos elementos de aquecimento do forno, remover as partes excedentes do papel vegetal que ficar pendurado do acessório ou recipiente.

38. Nunca o usar em temperaturas do forno mais elevadas do que a temperatura máxima de uso indicada no papel vegetal. Não colocar o papel vegetal na base do forno. Para evitar o risco de tocar nos elementos de aquecimento do forno, remover as partes excedentes do papel vegetal que ficar pendurado do acessório ou recipiente.

39. Quando a porta estiver aberta, não colocar qualquer objeto pesado sobre a porta ou permitir que as crianças se sentem nela. Pode fazer com que o forno se vire ou as dobradiças da porta fiquem danificadas.

40. Os materiais de embalagem são perigosos para as crianças. Manter o material de embalagem afastado do alcance das crianças.

41. Não usar produtos de limpeza abrasivos ou raspadores metálicos afiados para limpar o vidro, pois os arranhões que podem ocorrer na superfície do vidro da porta podem provocar a quebra do vidro.

42. O utilizador não deve tratar do forno por si mesmo.

43. Durante a utilização as superfícies interior e exterior do forno ficam quentes. Ao abrir a porta do forno, recuar para evitar o vapor quente que sai do interior. Há risco de queimadura.

44. Não colocar objetos pesados quando a porta do forno estiver aberta, risco de queda.

45. O utilizador não deve deslocar a resistência durante a limpeza. Isso pode provocar um choque elétrico.

46. A alimentação do forno pode ser desligada durante qualquer trabalho de construção em casa. Depois de concluir o trabalho, deve ser a assistência autorizada a ligar de novo o forno.

47. Para evitar o sobreaquecimento, o aparelho não deve ser instalado atrás de uma cobertura decorativa.

48. Desligar o aparelho antes de retirar as proteções. Depois de limpar, instalar as proteções de acordo com as instruções.

49. O ponto de fixação do cabo deverá ser protegido.

50. Não deve cozinhar os alimentos diretamente sobre o tabuleiro/grelha. Deve colocar os alimentos dentro ou sobre ferramentas adequadas antes os pôr no forno.

Segurança elétrica

1. Ligar o aparelho a uma tomada com ligação à terra protegida por um fusível, em conformidade com os valores especificados no quadro de especificações técnicas.

2. Pedir a um electricista autorizado o equipamento de ligação à terra. A nossa empresa não será responsável pelos danos que serão incorridos devido ao uso do produto sem ligação à terra de acordo com os regulamentos locais.

3. Os interruptores do disjuntor do forno devem ser colocados de forma que o utilizador final os possa alcançar quando o forno estiver instalado.

4. O cabo de alimentação (o cabo com ficha) não deve entrar em contacto com as partes quentes do aparelho.

5. Se o cabo de alimentação (o cabo com ficha) estiver danificado, deve ser substituído pelo fabricante ou pelo seu agente de assistência ou por pessoal igualmente qualificado para evitar uma situação perigosa.

6. Nunca lavar o produto pulverizando-o ou deitando água sobre o mesmo! Há um risco de eletrocução.

7. ADVERTÊNCIA: Para evitar choque elétrico, verificar se o circuito do dispositivo está aberto antes de trocar a lâmpada.

8. ADVERTÊNCIA: Desligar todas as ligações do circuito de alimentação antes de aceder aos terminais.

9. Não usar cabos cortados ou danificados ou cabos de extensão que não sejam o cabo original.

10. Assegurar que não há líquido ou humidade na tomada onde a ficha do produto for instalada.

11. A superfície traseira do forno também aquece quando o forno está a funcionar. As ligações elétricas não devem tocar na superfície traseira, caso contrário as ligações podem ficar danificadas.

12. Não apertar os cabos de ligação à porta do forno e não os colocar sobre superfícies quentes. Se o cabo se derreter, isto pode causar curto-circuito no forno e até um incêndio.

13. Desligar a unidade da ficha durante a instalação, manutenção, limpeza e reparação.

14. Se o cabo de alimentação estiver danificado, deve ser substituído pelo fabricante ou pelo seu agente de assistência ou uma pessoa igualmente qualificada de modo a evitar alguma situação perigosa.

15. Assegurar que a ficha está firmemente inserida na tomada de parede para evitar faíscas.

16. Não usar aparelhos de limpeza a vapor para limpar o aparelho, caso contrário poderá ocorrer choque elétrico.

17. É necessária um interruptor unipolar capaz de desligar a fonte de alimentação para a instalação. O desligamento da fonte de alimentação deve ser fornecido com um interruptor ou um fusível integrado instalado na fonte de alimentação fixa de acordo com o código do edifício.

18. O aparelho está equipado com um cabo de fio **tipo “Y”**.

19. As ligações fixas devem ser ligadas a uma fonte de alimentação que permita desligamento unipolar. Para aparelhos com categoria de sobretensão abaixo de III, o dispositivo de desligamento deve ser ligado à fonte de alimentação fixa de acordo com o código de fiação.

Utilização prevista

- 1.** Este produto é concebido para utilização doméstica. Não é permitido o uso comercial do aparelho.
- 2.** Este aparelho apenas deve ser usado para fins culinários. Não deve ser usado para outros fins como para aquecer uma sala.
- 3.** Este aparelho não deve ser utilizado para aquecer placas sob o grelhador, secar roupa ou toalhas pendurando-as na pega ou para fins de aquecimento.
- 4.** O fabricante não assume responsabilidades por qualquer dano devido a uso indevido ou inadequado.
- 5.** Parte do forno da unidade pode ser usada para descongelar, assar, fritar e grelhar alimentos.
- 6.** A vida útil do produto que adquiriu é de 10 anos. Este é o período para o qual as peças de reposição necessárias para o funcionamento deste produto são fornecidas pelo fabricante, conforme definido.

Ligação Elétrica

Este forno deve ser instalado e ligado corretamente no seu local, de acordo com as instruções do fabricante e por um serviço autorizado.

O aparelho deve ser instalado num compartimento de forno provido de alta ventilação.

As ligações elétricas do aparelho devem ser realizadas apenas através de tomadas com uma ligação de terra em conformidade com os regulamentos. Contacte um eletricitista autorizado se a tomada não estiver em conformidade com o sistema de terra onde o aparelho será instalado. A empresa fabricante não é responsável por danos resultantes da ligação de tomadas não ligadas à terra ao aparelho.

A ficha do seu forno deve estar ligada à terra; assegure-se que a tomada da ficha está ligada à terra. A ficha deve estar localizada num local que possa estar acessível após a instalação.

O seu forno tem sido fabricado como 220-240 V 50/60 Hz. A corrente elétrica AC está em conformidade e exige um fusível de 16 Amp. Se a sua rede de alimentação for diferente destes valores indicados, consulte um eletricitista ou o seu serviço autorizado.

Quando precisar substituir o fusível elétrico, certifique-se de que a ligação elétrica é realizada do seguinte modo:

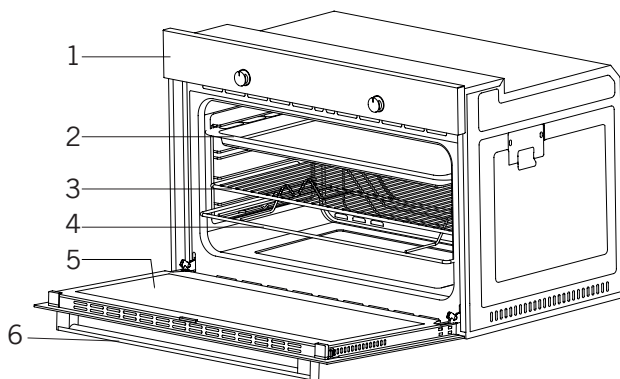
- Cabo castanho de fase (para terminal de corrente)
- Cabo azul para terminal neutro
- Cabo verde-amarelo para terminal de terra

Os interruptores de desligamento do forno devem estar num local acessível para o utilizador final quando o forno estiver instalado.

O cabo de alimentação elétrica (cabo de encaixe) não deve tocar nas partes quentes do aparelho.

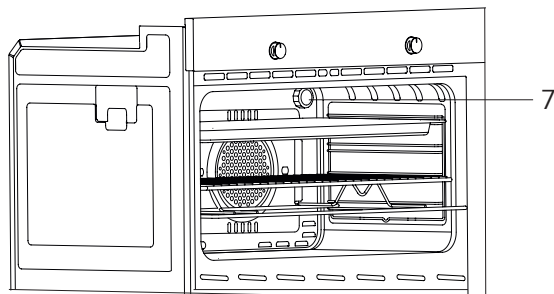
Se o cabo de alimentação (cabo de encaixe) estiver danificado, este cabo deve ser substituído pelo importador ou pelo seu agente de serviço ou uma pessoa igualmente competente, a fim de se evitar uma situação de risco.

APRESENTAÇÃO DO APARELHO



- 1. Painel de controlo
- 2. Tabuleiro fundo *
- 3. Grelha de arame sobre o tabuleiro

- 4. Espeto para assar frango *
- 5. Porta do forno
- 6. Pega



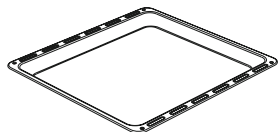
- 7. Lâmpada

Acessórios (opcional)



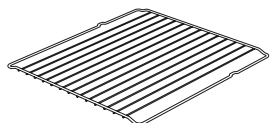
Tabuleiro fundo *

Utilizado para produtos de pastelaria, grandes assados, alimentos cozidos com água. Também pode ser utilizado como recipiente de recolha de óleo se assar diretamente no grelhador bolos, alimentos congelados e pratos de carne.



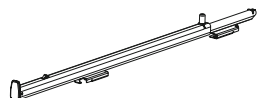
Tabuleiro

Utilizado para produtos de pastelaria (bolachas, biscoitos, etc), alimentos congelados.



Grelha de arame

Utilizada para assar ou colocar alimentos que serão assados, gratinados e congelados no rack pretendido.



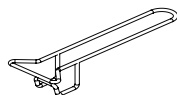
Friso telescópica *

Os tabuleiros e racks de arame podem ser removidos e instalados facilmente graças ao friso telescópico.



Grelha de arame sobre o tabuleiro *

Os alimentos que aderem ao cozinhar, como bifes, devem ser colocados na grelha do tabuleiro. Desse modo impede se o contacto do alimento com o tabuleiro.



Pega do tabuleiro *

É usada para segurar tabuleiros quentes.

Especificações Técnicas

Specifications	90 cm Built-in Oven
Potência da lâmpada	15-25 W
Termóstato	40-240 / Max °C
Aquecedor inferior	2000 W
Aquecedor superior	1500 W
Aquecedor turbo	1 x 2200 W / 2 x 1250 W
Aquecedor do grelhador	3250 W
Supply voltage	220-240V AC 50/60 Hz

As especificações técnicas podem ser alteradas sem aviso prévio para melhorar a qualidade do produto.

Os valores fornecidos com o aparelho ou nos documentos que os acompanham são as leituras laboratoriais relacionadas com as respetivas normas. Estes valores podem variar consoante a utilização e as condições ambientais.

As figuras neste guia são esquemáticas podem não coincidir exatamente com o seu produto.

INSTALAÇÃO DO APARELHO

Certifique-se que a instalação elétrica é adequada para o funcionamento do aparelho. Se não for o caso, chame um electricista ou picheleiro para fazer as instalações necessárias. O fabricante não pode ser responsabilizado por danos derivados de operações por pessoas não autorizadas, que invalidarão a garantia.

AVISO: É de responsabilidade do cliente preparar o local onde o produto será posicionado e também as instalações de alimentação necessárias.

AVISO: As regras sobre as normas elétricas locais devem ser respeitadas durante a instalação do produto.

AVISO: Verifique se há danos no produto antes de instalá-lo. Não instale o produto se estiver danificado. Produtos danificados representam perigo para a sua segurança.

Avisos importantes para a instalação:

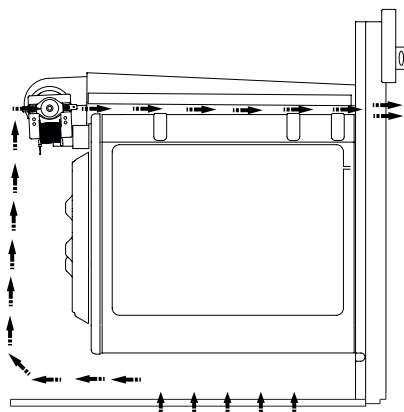


Figura 1

A ventoinha de arrefecimento expelle vapor extra e impede que as superfícies exteriores do aparelho sobreaqueçam durante o funcionamento do forno. Esta é uma condição necessária para um melhor funcionamento do aparelho e uma melhor cozedura. A ventoinha de arrefecimento continua a funcionar depois da cozedura estar concluída. A ventoinha irá parar automaticamente após o arrefecimento estar concluído. Deve ser deixado um espaço atrás do aparelho para

um funcionamento eficiente e de boa qualidade. Este espaço não deve ser ignorado, já que é necessário para o sistema de ventilação do aparelho funcionar.

Local certo para a instalação

O produto foi concebido para ser montado em bancadas adquiridas no mercado. Deve ser deixada uma distância segura entre o produto e as paredes ou o mobiliário da cozinha. Consulte o desenho fornecido na página seguinte para as distâncias adequadas. (valores em mm)

- As superfícies, os laminados sintéticos e os adesivos utilizados devem ser resistentes ao calor. (mínimo 100 °C)
- Os armários de cozinha devem estar nivelados com o produto e fixados.
- Se houver uma gaveta abaixo do forno, deve ser colocado um rack entre o forno e a gaveta.

AVISO: Não instale o produto próximo a frigoríficos ou arrefecedores. O calor emitido pelo produto aumenta o consumo de energia dos dispositivos de arrefecimento.

AVISO: Não utilize a porta ou o puxador para mover o produto.

Instalação e montagem do forno encastrado de 90 cm

O local de instalação do produto deve ser definido antes de iniciar a instalação.

O produto não deve ser instalado em locais que estejam sob o efeito de fluxo de ar forte.

Carregue o produto juntamente com, pelo menos, duas pessoas. Não arraste o produto de modo a não causar danos ao piso.

Remova todos os materiais de transporte dentro e fora do produto. Remova todos os materiais e documentos no produto.

Instalação sob a bancada

O compartimento deve coincidir com as dimensões fornecidas na figura 2. Deve ser previsto um espaço na parte traseira do compartimento, como indicado na figura, de modo a se obter a ventilação necessária.

Após a montagem, o espaço entre a parte inferior e superior da bancada está indicado na figura 5 com a letra "A". Destina-se à ventilação e não deve ser tapado.

Instalação num compartimento elevado

O compartimento deve coincidir com as dimensões fornecidas na figura 4. Devem ser previstos os espaços com as dimensões indicadas na figura, na parte traseira do compartimento, nas seções superior e inferior, de modo a se obter a ventilação necessária.

Requisitos da instalação

As dimensões do produto são fornecidas na figura 3.

As superfícies do mobiliário dos materiais de montagem e desmontagem a ser utilizados devem ter uma resistência à temperatura mínima de 100 °C.

O compartimento de montagem deve estar fixado e o seu piso deve ser plano para que o produto não incline.

O piso do compartimento deve ter uma resistência mínima para lidar com uma carga de 60 kg.

Colocação e fixação do forno

Coloque o forno no compartimento com duas ou mais pessoas.

Verifique se a estrutura do forno e a borda frontal do mobiliário correspondem de maneira uniforme.

O cabo de alimentação não deve estar sob o forno, pressionado entre forno e o mobiliário ou dobrado.

Fixe o forno ao mobiliário utilizando os parafusos fornecidos com o produto. Os parafusos devem ser montados como mostrado na figura 5, passando-os através dos plásticos ligados à estrutura do produto. Os parafusos não devem ser demasiadamente apertados. Caso contrário, os soquetes dos parafusos podem estar desgastados.

Verifique se o forno não se move depois da montagem. Se o forno não for montado de acordo com as instruções, existe um risco de inclinação durante o funcionamento.

Ligação elétrica

O local de montagem do produto deve ter a instalação elétrica adequada. A tensão de rede deve ser compatível com os valores fornecidos na placa de características do produto.

A ligação do produto deve ser feita em conformidade com os requisitos elétricos locais e nacionais.

Antes de iniciar a montagem, desligue a alimentação elétrica. Não ligue o produto à rede até que a sua montagem esteja concluída.

Montagem



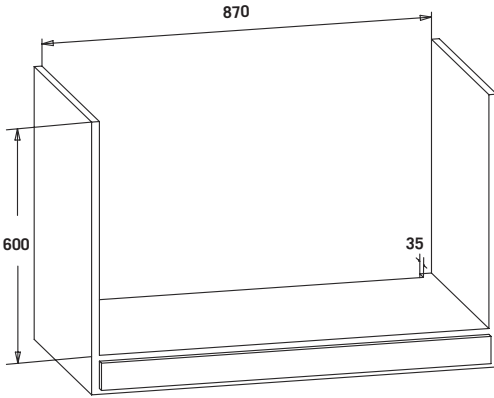


Figura 2

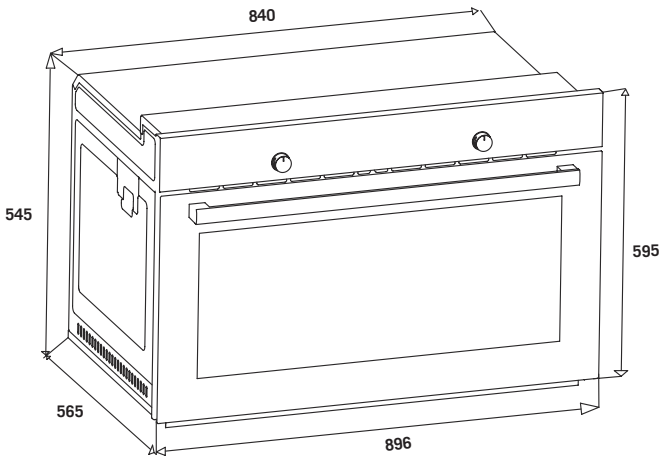
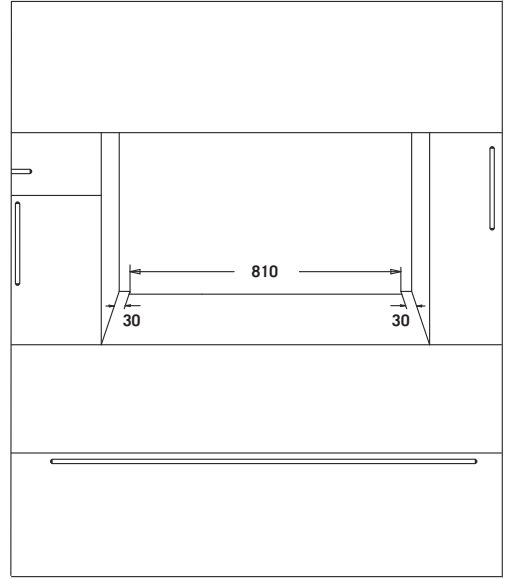


Figura 3

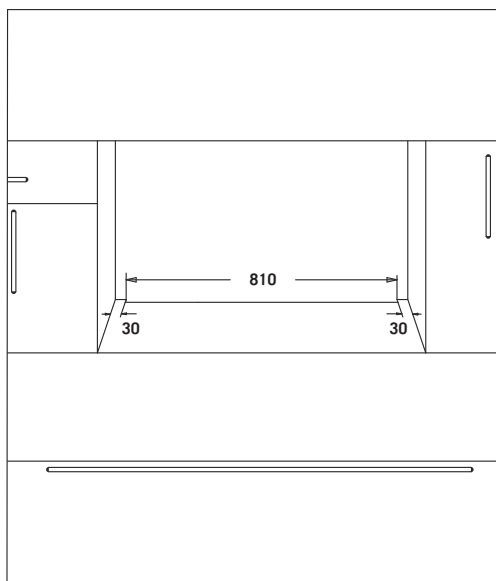
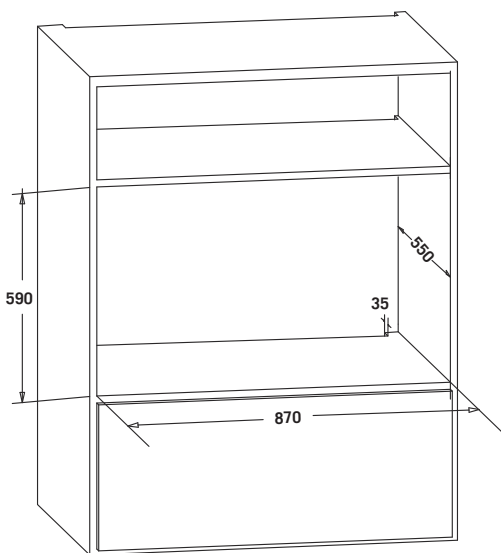


Figura 4

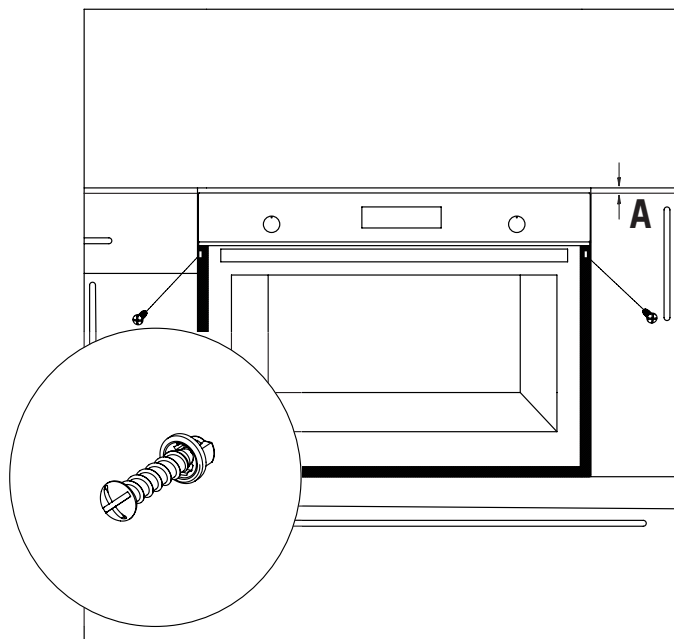
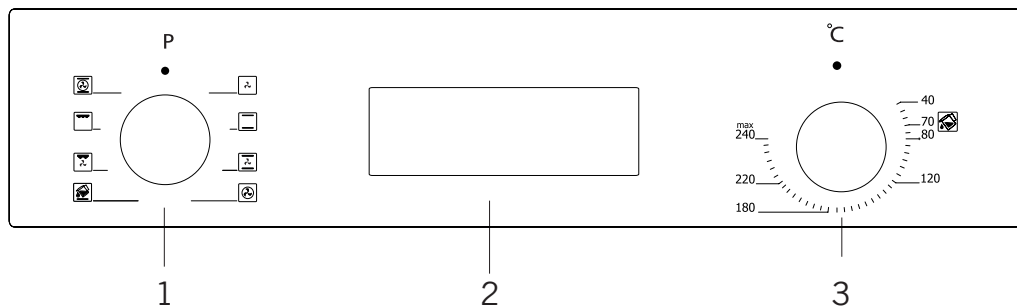


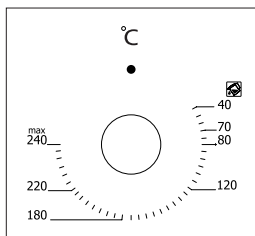
Figura 5

PAINEL DE CONTROLO

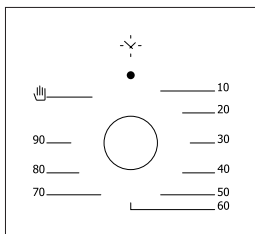


1. Botão de função
2. Temporizador mecânico ou digital
3. Termóstato

ADVERTÊNCIA: O painel de controlo acima é apenas para fins de ilustração. Considerar o painel de controlo no seu dispositivo.



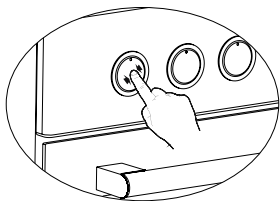
Botão do termóstato: Ajuda a definir a temperatura de cozedura do alimento a ser cozinhado no forno. Pode definir a temperatura pretendida rodando o botão após introduzir o alimento no forno. Verifique a tabela de cozedura para cozinhar alimentos com diferentes temperaturas.



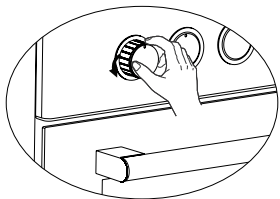
Botão do temporizador mecânico *: Ajuda a definir a temperatura de cozedura do alimento a ser cozinhado no forno. O temporizador corta a energia dos aquecedores quando o tempo definido expira e avisa-lhe com um toque sonoro. Consulte a tabela para os tempos de cozedura.

Utilizar O Botão Pop-Up *

O ajuste só pode ser realizado quando o botão estiver desarmado em modelos com botão pop-up.



Certifique-se que o botão está desarmado pressionando-o como exibido na figura do lado esquerdo.



Pode fazer os ajustes necessários rodando para a direita ou para a esquerda quando o botão estiver suficientemente desarmado.

UTILIZAÇÃO DO FORNO

Utilização inicial do forno

Aqui estão as coisas que deve fazer na primeira utilização do seu forno depois de realizar as necessárias de acordo com as instruções:

1. Remova os rótulos ou acessórios encaixados dentro do forno. Se houver, retire a película de proteção na parte frontal do aparelho.

2. Remova o pó e os resíduos de embalagem limpando o interior do forno com um pano húmido. O interior do forno deve estar vazio. Ligue a ficha do cabo do aparelho à tomada elétrica.

3. Defina o botão do termóstato para a temperatura mais alta (240 °C no máx.) e funcione o forno por 30 minutos com a sua porta fechada. Entretanto, pode aparecer um ligeiro fumo e um odor, mas é uma situação normal.

4. Limpe o interior do forno com um pouco de água morna com detergente depois do mesmo estar arrefecido e seque com um pano limpo. Agora pode utilizar o seu forno.

Utilização normal do forno

1. Ajuste o botão do termóstato e a temperatura na qual pretende cozinhar os alimentos, para iniciar a cozedura.

2. Pode definir o tempo de cozedura para qualquer hora pretendida utilizando o botão presente nos modelos com temporizador mecânico. O temporizador irá cortar a energia dos aquecedores quando esgotar o tempo e emitir um aviso sonoro.

3. O temporizador desliga os aquecedores e emite um aviso sonoro quando o tempo de cozedura esgota, em linha com as informações inseridas nos modelos com temporizador digital.

4. O sistema de arrefecimento do aparelho continuará a funcionar após a cozedura estar concluída. Não corte a alimentação elétrica do aparelho nesta situação, que é necessária para que o aparelho arrefeça. O sistema desligar-se-á após o arrefecimento estar concluído.

Usar O Grelhador

1. Quando colocar a grelha na prateleira superior, os alimentos na grelha não devem tocar na grelha.
2. Pode pré-aquecer durante 5 minutos enquanto grelhar. Se necessário, pode voltar os alimentos ao contrário.
3. Os alimentos devem estar no centro da grelha para fornecerem um fluxo máximo de ar através do forno.

Ligar o grelhador;

1. Colocar o botão de função sobre o símbolo do grelhador.
2. Em seguida, definir a temperatura do grelhador pretendida.

Desligar o grelhador;

Colocar o botão de função na posição desligado.

ADVERTÊNCIA: Manter a porta do forno fechada enquanto estiver a grelhar.

Usar O Assador De Frango *

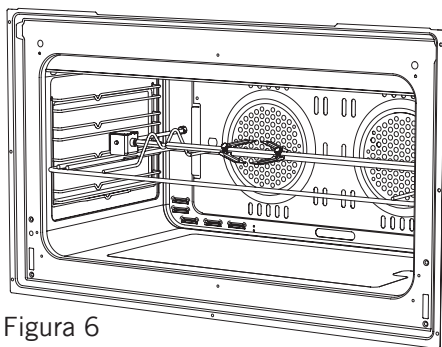
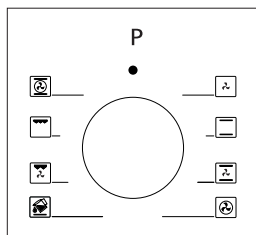


Figura 6

Colocar o espeto no suporte. Deslizar o espeto rotativo no forno no nível pretendido. Localizar uma caçarola no fundo para recolher a gordura. Adicione um pouco de água na caçarola para facilitar a limpeza. Não esquecer de retirar a parte de plástico do espeto. Depois de grelhar, enroscar a pega de plástico no espeto e retirar os alimentos do forno.

TIPOS DE PROGRAMA



Botão de programa: Ajuda a definir com que aquecedores os alimentos introduzidos no forno serão cozinhados. Os tipos de programa dos aquecedores neste botão e as suas funções estão indicados abaixo. Cada modelo pode não ter todos os tipos de aquecedores e consequentemente os tipos de programa desses aquecedores.

Os tipos de programa de aquecimento no seu aparelho e importantes explicações sobre os mesmos são fornecidas abaixo para que possa cozinhar diferentes alimentos conforme o seu gosto.

	Elementos de aquecimento inferior e superior		Ventoinha
	Ventoinha e elemento de aquecimento inferior		Ventoinha e aquecedor turbo
	Grelhador e assador de frangos		Ventoinha e elemento de aquecimento superior-inferior
	Ventoinha e elemento de aquecimento superior		Grelhador e ventoinha
	Cozedura multi-funcional (3D)		Grelhador
	Elemento de aquecimento inferior		Elemento de aquecimento superior
	Ventoinha e grelha pequena		Limpeza a vapor


Elemento de aquecimento inferior: Selecione este programa para o tempo de fim da cozedura se a parte inferior do alimento cozinhado tiver que ser assada.

Elemento de aquecimento superior: Utilizado para pós-aquecer ou assar peças muito pequenas de alimentos.

Elementos de aquecimento inferior e superior: Um programa que pode ser utilizado para cozinhar alimentos como bolos, pizza, biscoitos e bolinhos.

Ventoinha e elemento de aquecimento inferior: Utilizado principalmente para cozinhar alimentos como bolos de frutas.

Ventoinha e elemento de aquecimento inferior e superior: O programa adequado para cozinhar alimentos como bolos, bolos secos, lasanha. Adequado também para cozinhar pratos de carne.



Grelhador: O grelhador é utilizado para grelhar tanto carnes como alimentos do tipo bifés, salsichas e peixes. Enquanto está a grelhar, o tabuleiro deve estar posicionado no rack inferior e cheio de água.

Ventoinha e aquecedor turbo: Adequados para assar massas e carnes. Mantenha a definição de calor inferior no programa “Aquecedor inferior e superior”, uma vez que o calor é transmitido imediatamente através do fluxo de ar.

Grelhador e ventilador: Adequado para cozinhar carnes. Não se esqueça de colocar um tabuleiro de cozedura num rack inferior dentro do forno e um pouco de água enquanto estiver a grelhar.

Cozedura multi-funcional (3D): Adequada para assar massas e carnes. Os aquecedores inferior e superior funcionam para a rápida transmissão de calor através do fluxo de ar. Adequado para cozeduras que necessitam de um único tabuleiro e calor intenso.

RECOMENDAÇÕES PARA A COZEDURA

Pode encontrar na tabela a seguir as informações dos tipos de alimentos dos quais testamos e identificamos os seus valores de cozedura em nossos laboratórios. Os tempos de cozedura podem variar de acordo com a tensão da rede, a qualidade do material a ser cozinhado, a quantidade e a temperatura. Os pratos a cozinhar utilizando estes valores podem não estar ao seu gosto. Pode definir vários valores para obter diferentes sabores e resultados consoante as suas preferências, através da realização de testes.

AVISO: O forno deve ser pré-aquecido por 7-10 minutos antes de se introduzir o alimento.

Tabela De Cozedura

Alimento	Cozedura função	Temperatura (°C)	Rack de cozedura	Tempo de cozedura (min.)
Bolo	Estática	180	2	70
Pequenos bolos	Estática	180	2	40
Tartes	Estática	200	2	70
Pastelaria	Estática+ventoinha	180-200	2	20-25
Bolachas	Estática	175	2	20
Tarte de maçã	Estática	180-190	1	150
Pão de ló	Estática	175	2	45-50
Pizza	Estática	190	2	25
Lasanha	Estática	180-200	2	50-60
Merengue	Estática	100	2	60
Frango grelhado *	Grelhador+ventoinha	220	4	25-35
Peixe grelhado *	Grelhador+ventoinha	220	4	35-40
Bife de vitela *	Grelhador	Max.	4	30
Almôndegas *	Grelhador	Max.	4	40

* Os alimentos devem ser virados após a metade do tempo de cozedura.

MANUTENÇÃO E LIMPEZA

1. Retire a ficha de alimentação da tomada.
2. Não limpe as partes internas, painel, tabuleiros e outras partes do produto com ferramentas aguçadas como escovas, esponjas de aço ou facas. Não utilize abrasivos, materiais raspantes ou detergente.
3. Enxágüe após limpar as partes no interior do produto com um pano com sabão, depois seque completamente com um pano macio.
4. Limpe as superfícies de vidro com produtos especiais para limpeza de vidros.
5. Não limpe o seu produto com limpadores a vapor.
6. Nunca utilize materiais combustíveis como ácido, diluente ou gás durante a limpeza do seu produto.
7. Não lave qualquer parte do produto na máquina de lavar loiça.
8. Utilize estearato de potássio (sabão suave) para sujidades e nódoas.

Limpeza A Vapor *

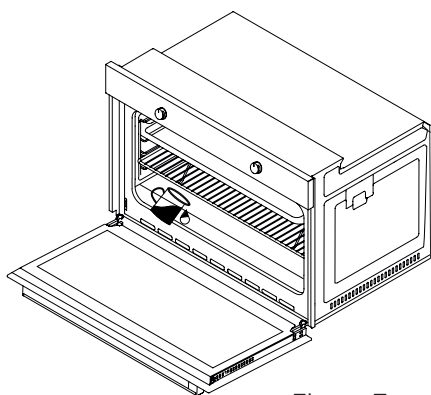


Figura 7

É possível limpar as nódoas amaciadas graças ao vapor que é gerado no forno.

1. Remova todos os acessórios no forno.
2. Deite meio litro de água no tabuleiro e coloque o tabuleiro na parte inferior da caldeira.
3. Defina o interruptor para o modo de limpeza a vapor.
4. Defina o termóstato para 70 °C e funcione o forno por 30 minutos.
5. Após funcionar o forno por 30 minutos, abra a porta do forno e limpe as superfícies internas com um pano húmido.
6. Utilize líquido de lavar loiça, água quente e um pano macio para remover a sujidade entranhada, depois seque a área que acabou de limpar utilizando um pano seco.

Limpeza E A Montagem Da Porta Do Forno

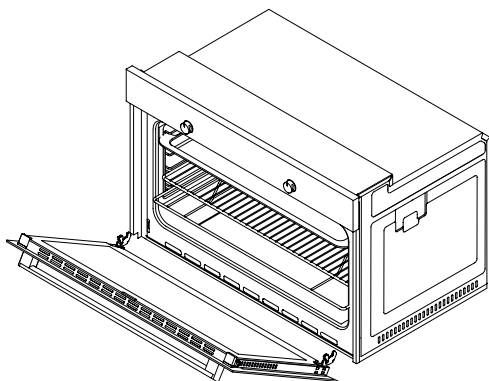


Figura 8

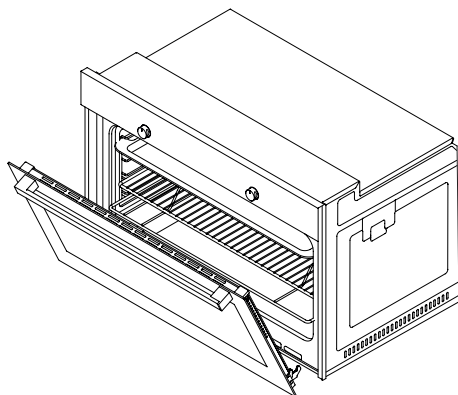


Figura 9

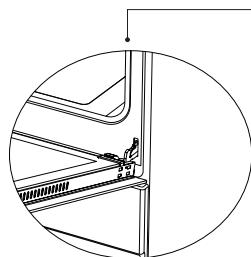


Figura 8.1

Abra totalmente a porta puxando a porta do forno para si. Então realize a operação de desbloqueio puxando a trava da dobradiça para cima com a ajuda de uma chave de fendas, como indicado na **figura 8.1**.

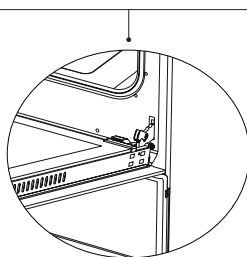


Figura 8.2

Ajuste a trava da dobradiça para o ângulo mais largo, como na **figura 8.2**. Ajuste ambas as dobradiças ligando a porta do forno ao forno para a mesma posição.

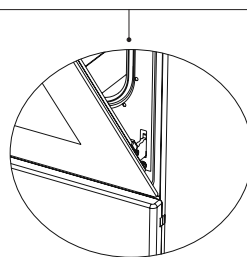


Figura 9.1

Em seguida, feche a porta do forno aberta de modo que possa estar em posição de contacto com a trava da dobradiça, como na **figura 9.1**.

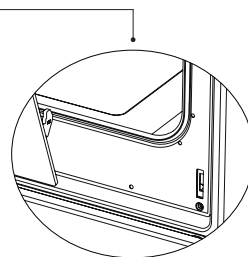


Figura 9.2

Para facilitar a extração da porta do forno, quando ele estiver perto de posição fechada, segure a tampa com as duas mãos, como mostrado na **figura 9.2** e puxe para cima.

Em sentido inverso, execute respetivamente o que fez durante a abertura da porta para reinstalar a porta do forno.

Limpar O Vidro Do Forno

Premir os fechos de plástico nos lados esquerdo e direito conforme mostrado na Figura 10 e levante o perfil puxando o mesmo em direção em a si conforme mostrado na Figura 11. O vidro ficará solto depois de o perfil ser removido conforme mostrado na Figura 12. Puxar cuidadosamente o vidro que fica solto em direção a si. Se necessário, o vidro intermédio pode igualmente ser removido da mesma forma. O vidro exterior é fixado ao perfil da porta do forno. Pode facilmente limpar os vidros depois de os mesmo terem sido separados. Depois de limpos e de depois de feita a manutenção, pode substituir os vidros e o perfil realizando o procedimento de remoção na ordem inversa. Assegurar que o vidro é colocado na direção correta e que o perfil está corretamente assente.

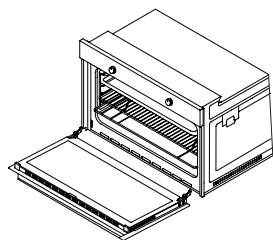


Figura 10

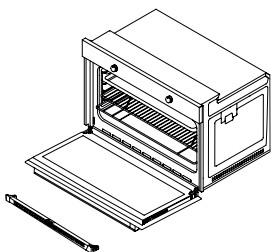


Figura 11

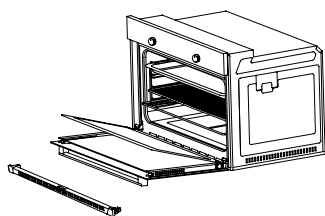


Figura 12

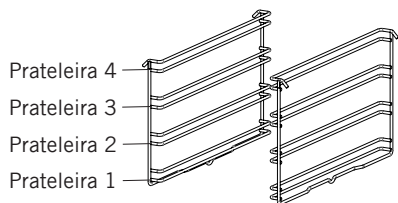
Paredes Catalíticas *

As paredes catalíticas estão localizadas à esquerda e à direita da cavidade sob a guias. As paredes catalíticas erradicam o mau cheiro e obtêm o melhor desempenho do fogão. As paredes catalíticas também absorvem os resíduos de óleo e limpam o seu fogão enquanto ele está a funcionar.

Remover as paredes catalíticas

Para remover as paredes catalíticas, as guias têm de ser puxadas para fora. Assim que as guias são puxadas para fora, as paredes catalíticas são soltas automaticamente. As paredes catalíticas têm de ser mudadas ao fim de 2-3 anos.

Posições Da Grelha



É importante colocar corretamente a grelha de arame no forno. Não permitir que a grelha entre em contacto com a parede traseira do forno. As posições da grelha são mostradas na figura seguinte. Pode colocar um tabuleiro fundo ou um tabuleiro normal nas grelhas de arame inferior e superior.

Instalar e retirar as grelhas de arame

Para retirar as grelhas de arame, premir os cliques mostrados com setas na figura, retirar primeiro o lado inferior e depois o superior do local de instalação. Para instalar grelhas de arame; inverter o procedimento para a remoção das grelhas de arame.

Substituição Da Lâmpada Do Forno

AVISO: Para evitar choques eléctricos, certifique-se que o circuito do aparelho está aberto antes de trocar a lâmpada. (o circuito aberto significa que a energia está desligada)

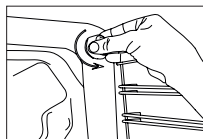
Primeiro, desligue a alimentação do aparelho e certifique-se que o mesmo está arrefecido.

Remova o vidro de protecção rodando conforme indicado na figura do lado esquerdo. Se tiver dificuldades para o rodar, utilize luvas de plástico para a ajudar na tarefa.

Em seguida, remova a lâmpada rodando, instale a lâmpada nova com as mesmas especificações. As especificações da lâmpada devem ser como o seguinte;

Reinstale a protecção do vidro, ligue o cabo de alimentação do aparelho à tomada eléctrica e conclua a substituição. Agora pode utilizar o seu forno.

Lâmpada Tipo G9



220-240 V, AC
15-25 W

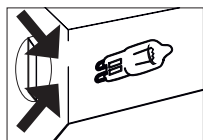


Figura 13

Lâmpada Tipo E14



220-240 V, AC
15 W



Figura 14

RESOLUÇÃO DE PROBLEMAS

Pode resolver os problemas que pode encontrar no seu produto verificando os seguintes pontos antes de chamar a assistência técnica.

Pontos de verificação

Caso tenha algum problema com o forno, verificar primeiro a tabela abaixo e experimentar as sugestões.

Problema	Causa possível	O que fazer
O forno não funciona.	Fonte de alimentação não disponível.	Verificar a fonte de alimentação.
O forno para durante a cozedura.	A ficha sai da tomada da parede.	Voltar a instalar a ficha na tomada de parede.
Desliga-se durante a cozedura.	Funcionamento contínuo durante muito tempo.	Deixar o forno arrefecer após longos ciclos de cozedura.
	O ventilador de refrigeração não está a funcionar.	Ouvir o som do ventilador de refrigeração.
	Forno não instalado em local com boa ventilação.	Assegurar que as folgas especificadas nas instruções de funcionamento são mantidas.
	Mais do que uma ficha numa tomada de parede.	Usar apenas uma ficha para cada tomada de parede.
A superfície exterior do forno fica muito quente durante o funcionamento.	Forno não instalado em local com boa ventilação.	Assegurar que as folgas especificadas nas instruções de funcionamento são mantidas.
A porta do forno não está a abrir adequadamente.	Resíduos alimentares presos entre a porta e a cavidade interior.	Limpar bem o forno e tentar voltar a abrir a porta.
A luz interior está fraca ou não funciona.	Objeto estranho que cobre a lâmpada durante a cozedura.	Limpar a superfície interior do forno e verificar novamente.
	A lâmpada pode estar fundida.	Substituir por uma lâmpada com as mesmas especificações.
Choque elétrico quando tocar no forno.	Ligação à terra não adequada.	Assegurar que a alimentação está ligada à terra adequadamente.
	Está a ser usada tomada de parede sem ligação à terra.	

Problema	Causa possível	O que fazer
Está a pingar água.	Sob certas condições, pode ser gerada água ou vapor, dependendo do alimento a ser cozinhado. Isto não é uma avaria do aparelho.	Deixar o forno arrefecer e, em seguida, secar com um pano.
Vapor a sair de uma fissura na porta do forno.		
Água existente no interior do forno.		
O ventilador de refrigeração continua a operar depois da cozedura ter terminado.	O ventilador opera durante um determinado período para ventilação da cavidade interna do forno.	Isto não é uma avaria do aparelho, portanto não tem que se preocupar.
Forno não aquece.	Porta do forno está aberta.	Fechar a porta e reiniciar.
	Controlos do forno não estão ajustados corretamente.	Ler a secção referente ao funcionamento do forno e reiniciar o forno.
	Fusível desarmado ou disjuntor desligado.	Substituir o fusível ou reiniciar o disjuntor. Se isto se repetir frequentemente, ligar a um electricista.
Fumo a sair durante o funcionamento.	Quando o forno funcionar pela primeira vez.	Fumo sai dos aquecedores. Isto não é uma avaria. Após 2-3 ciclos já não haverá fumo.
	Alimento no aquecedor.	Deixar o forno arrefecer e limpar resíduos de alimentos da superfície do forno e a superfície do aquecedor superior.
Quando o forno está em funcionamento sai cheiro a queimado ou a plástico	Estão a ser usados dentro do forno acessórios de plástico ou outros não resistentes ao calor.	Com temperaturas elevadas, utilizar os acessórios em vidro adequados
O forno não cozinha bem.	A porta do forno é aberta frequentemente durante a cozedura.	Não abrir frequentemente a porta do forno se o alimento que estiver a cozinhar não precisar de ser rodado. Se abrir a porta frequentemente a temperatura interior cai e conseqüentemente o resultado da cozedura será influenciado.

REGRAS DE MANUSEAMENTO

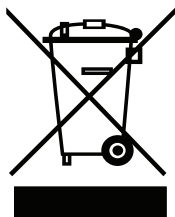
1. Não usar a porta e/ou a pega para transportar ou mover o aparelho.
2. Realizar a movimentação e transporte na embalagem original.
3. Prestar muita atenção ao aparelho durante o carregamento/descarregamento e manuseio.
4. Assegurar que a embalagem está firmemente fechada durante o manuseio e transporte.
5. Proteger de fatores externos (tais como humidade, água, etc.) que possam danificar a embalagem.
6. Ter cuidado para não danificar o aparelho devido a colisões, choques, quedas, etc. durante o manuseio e transporte e para não o partir ou deformar durante a operação.

RECOMENDAÇÕES DE EFICIÊNCIA ENERGÉTICA

Os seguintes detalhes irão ajudar a utilizar o produto ecológica e economicamente.

1. Usar recipientes de cor escura e esmalte que conduzam melhor o calor no forno.
2. Ao cozinhar os seus alimentos, se a receita ou o manual do utilizador indicar que o pré-aquecimento é necessário, pré-aqueça o forno.
3. Não abrir frequentemente a porta do forno enquanto cozinhar.
4. Tentar não cozinhar simultaneamente vários pratos no forno. Pode cozinhar ao mesmo tempo colocando dois tabuleiros na grelha de arame.
5. Cozinhar vários pratos sucessivamente. O forno não perderá calor.
6. Desligar o forno alguns minutos antes de terminar o tempo de cozedura. Neste caso, não abrir a porta do forno.
7. Descongelar os alimentos congelados antes de cozinhar.

ELIMINAÇÃO AMIGA DO AMBIENTE



Elimine a embalagem em condições amigas do ambiente Este aparelho está etiquetado de acordo com a Diretiva Europeia 2012/19/UE relativa a aparelhos elétricos e eletrónicos usados (Resíduos de Equipamentos Elétricos e eletrónicos REEE). As orientações determinam o enquadramento para a devolução e reciclagem de aparelhos elétricos aplicável em toda a UE.

INFORMAÇÃO SOBRE A EMBALAGEM

Os materiais de embalagem do produto são fabricados a partir de materiais recicláveis, de acordo com as nossas Normas Ambientais Nacionais. Não elimine os materiais de embalagem junto com o lixo doméstico ou outros. Leve-os aos pontos de recolha de material de embalagem indicados pelas autoridades locais.