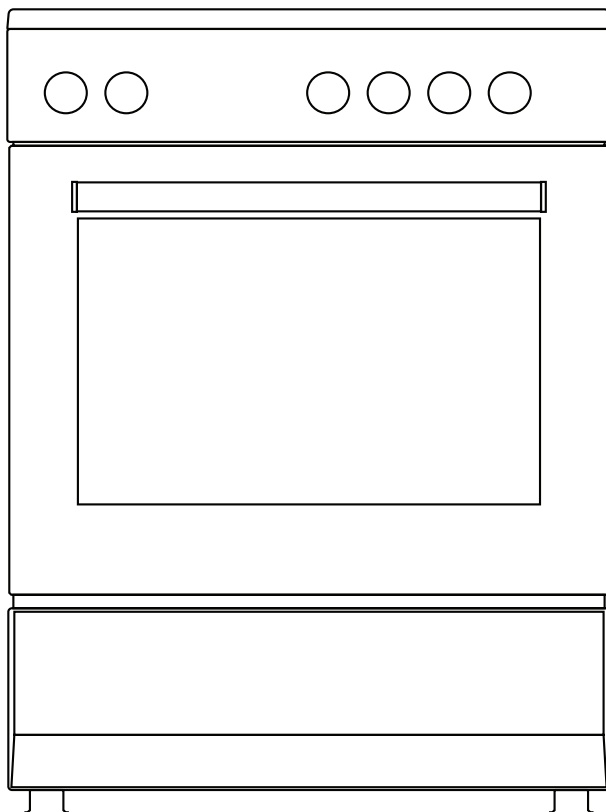


FREE STANDING OVEN

50x55 / 50x60 / 60x60

Electrical oven

Forno elétrico



H10-20-180-348 Rev 003

USER MANUAL **GB**
MANUAL DO UTILIZADOR **PO**

Dear User,

Our objective is to make this product provide you with the best output which is manufactured in our modern facilities in a careful working environment, in compliance with total quality concept.

Therefore, we suggest you to read the user manual carefully before using the product and, keep it permanently at your disposal.

Note: This user manual is prepared for more than one model. Some of the features specified in the Manual may not be available in your appliance.

All our appliances are only for domestic use, not for commercial use.

Products marked with (*) are optional.

“Conforms with the WEEE Regulations.”

Contents

Important warnings.....	4
Methods for protecting ceramic glass cooking surface.....	13
Electrical connection.....	14
Introduction of the appliance.....	15
Accessories.....	16
Technical features of your oven.....	17
Installation of your oven.....	18
Chain lashing illustration.....	20
Control panel.....	20
Using oven section.....	21
Using the grill.....	22
Using the chicken roasting.....	22
Using cooker section.....	23
Program types.....	25
Cooking time table.....	26
Maintenance and cleaning.....	27
Installation of the oven door.....	28
Cleaning and maintenance of the Oven's front door glass.....	29
Changing the oven lamp.....	29
Catalytic walls.....	30
Rack positions.....	30
Using the grill deflector sheet.....	31
Troubleshooting.....	32
Handling rules.....	34
Recommendations for energy saving.....	34
Environmentally-friendly disposal.....	35
Package information.....	35

IMPORTANT WARNINGS

1. Installation and repair should always be performed by **“AUTHORIZED SERVICE”**. Manufacturer shall not be held responsible for operations performed by unauthorized persons.
2. Please read this operating instructions carefully. Only by this way you can use the appliance safely and in a correct manner.
3. The oven should be used according to operating instructions.
4. Keep children below the age of 8 and pets away when operating.
5. **WARNING: The accessible parts may be hot while using the grill. Keep away from children.**
6. **WARNING: Fire hazard; do not store the materials on the cooking surface.**
7. **WARNING: The appliance and its accessible parts are hot during operation.**
8. Setting conditions of this device are specified on the label. (Or on the data plate)
9. The accessible parts may be hot when the grill is used. Small children should be kept away.
10. **WARNING: This appliance is intended for cooking. It should not be used for other purposes like heating a room.**
11. To clean the appliance, do not use steam cleaners.

12. Ensure that the oven door is completely closed after putting food inside the oven.

13. NEVER try to put out the fire with water. Only shut down the device circuit and then cover the flame with a cover or a fire blanket.

14. Children under 8 years of age should be kept away, if they cannot be monitored continuously.

15. Touching the heating elements should be avoided.

16. CAUTION: Cooking process shall be supervised. Cooking process shall always be supervised.

17. This device can be used by children over 8 years of age, people with physical, hearing or mental challenges or people with lack of experience or knowledge; as long as control is ensured or information is provided regarding the dangers.


18. This device has been designed for household use only.

19. Children must not play with the appliance. Cleaning or user maintenance of the appliance shall not be performed by children unless they are older than 8 years and supervised by adults.

20. Keep the appliance and its power cord away from children less than 8 years old.

21. Put curtains, tulle, paper or any flammable (ignitable) material away from the appliance before starting to use the appliance. Do not put ignitable or flammable materials on or in the appliance.

- 22.** Keep the ventilation channels open.
- 23.** The appliance is not suitable for use with an external timer or a separate remote control system.
- 24.** Do not heat closed cans and glass jars. The pressure may lead jars to explode.
- 25.** Oven handle is not a towel drier. Do not hang towels, etc. on the oven handle.
- 26.** Do not place the oven trays, plates or aluminium foils directly on the oven base. The accumulated heat may damage the base of the oven.
- 27.** While placing food to or removing food from the oven, etc., always use heat resistant oven gloves.
- 28.** Do not use the product in states like medicated and/or under influence of alcohol which may affect your ability of judgement.
- 29.** Be careful when using alcohol in your foods. Alcohol will evaporate at high temperatures and may catch fire to cause a fire if it comes in contact with hot surfaces.
- 30.** After each use, check if the unit is turned off.
- 31.** If the appliance is faulty or has a visible damage, do not operate the appliance.
- 32.** Do not touch the plug with wet hands. Do not pull the cord to plug off, always hold the plug.
- 33.** Do not use the appliance with its front door glass removed or broken.



34. Place the baking paper together with the food into a pre-heated oven by putting it inside a cooker or on an oven accessory (tray, wire grill etc.).

35. Do not put objects that children may reach on the appliance.

36. It is important to place the wire grill and tray properly on the wire racks and/or correctly place the tray on the rack. Place the grill or tray between two rails and make sure it is balanced before putting food on it.

37. Against the risk of touching the oven heater elements, remove excess parts of the baking paper that hang over from the accessory or container.

38. Never use it at higher oven temperatures than the maximum usage temperature indicated on your baking paper. Do not place the baking paper on the base of the oven.

39. When the door is open, do not place any heavy object on the door or allow children to sit on it. You may cause the oven to overturn or the door hinges to be damaged.

40. The packaging materials are dangerous for children. Keep packaging materials away from the reach of children.

41. Do not use abrasive cleaners or sharp metal scrapers to clean the glass as the scratches that may occur on the surface of the door glass may cause the glass to break.

42. Do not hit glass surfaces of vitro-ceramic cookers with a hard metal, resistance can get damaged. It may cause an electric shock.

43. User should not handle the oven by himself.

44. Food can spill when foot of oven is dismantled or gets broken, be careful. It may cause personal injuries.

45. During usage, the internal and external surfaces of the oven get hot. As you open the oven door, step back to avoid the hot vapour coming out from the interior. There is risk of burning.

46. Upper cover of the oven can be closed for a reason, than cookware can trip over. Step back to avoid the hot food coming on you. There is risk of burning.


47. Do not place heavy objects when oven door is open, risk of toppling.

48. User should not dislocate the resistance during cleaning. It may cause an electric shock.

49. Do not place metal utensils such as knife, fork, spoon on the surface of the appliance, since they will get hot.

50. Do not remove ignition switches from the appliance. Otherwise, live electric cables can be accessed. It may cause an electric shock.

51. Oven supply can be disconnected during any construction work at home. After completing the work, re-connecting the oven shall be done by authorized service.



52. Do not place metal utensils such as knife, fork, spoon on the surface of the appliance, since they will get hot.

53. To prevent overheating, the appliance should not be installed behind of a decorative cover.

54. Turn off the appliance before removing the safeguards. After cleaning, install the safeguards according to instructions.


55. Cable fixing point shall be protected.

56. Please don't cook the food directly on the tray / grid. Please put the food into or on appropriate tools before putting them in the oven.

57. CAUTION: If the glass of the stove is broken, turn off any heating element immediately and disconnect the appliance from power source, do not touch the surface of the appliance and do not use the appliance.

Electrical Safety

1. Plug the appliance in a grounded socket protected by a fuse conforming to the values specified in the technical specifications chart.
2. Have an authorized electrician set grounding equipment. Our company shall not be responsible for the damages that shall be incurred due to using the product without grounding according to local regulations.
3. The circuit breaker switches of the oven shall be placed so that end user can reach them when the oven is installed.
4. The power supply cord (the cord with plug) shall not contact the hot parts of the appliance.
5. If the power supply cord (the cord with plug) is damaged, this cord shall be replaced by the manufacturer or its service agent or an equally qualified personnel to prevent a hazardous situation.
6. Never wash the product by spraying or pouring water on it! There is a risk of electrocution.
7. **WARNING: To avoid electric shock, ensure that the device circuit is open before changing the lamp.**
8. **WARNING: Cut off all supply circuit connections before accessing the terminals.**
9. **WARNING: If the surface is cracked, turn off the appliance to avoid risk of electric shock.**
10. Do not use cut or damaged cords or extension cords other than the original cord.



11. Make sure that there is no liquid or humidity in the outlet where the product plug is installed.

12. The rear surface of the oven also heats up when the oven is operated. Electrical connections shall not touch the rear surface, otherwise the connections may be damaged.

13. Do not tighten the connecting cables to the oven door and do not run them over hot surfaces. If the cord melts, this may cause the oven to short circuit and even a fire.

14. Unplug the unit during installation, maintenance, cleaning and repair.

15. If the power supply cable is damaged, it must be replaced by its manufacturer or authorized technical service or any other personnel qualified at the same level, in order to avoid any dangerous situation.

16. Make sure the plug is inserted firmly into wall socket to avoid sparks.

17. Do not use steam cleaners for cleaning the appliance, otherwise electric shock may occur.

18. An omnipolar switch capable to disconnect power supply is required for installation. Disconnection from power supply shall be provided with a switch or an integrated fuse installed on fixed power supply according to building code.

19. Appliance is equipped with a **type “Y”** cord cable.

20. Fixed connections shall be connected to a power supply enabling omnipolar disconnection. For appliances with over voltage category below III, disconnection device shall be connected to fixed power supply according to wiring code.

Intended Use

- 1.** This product has been designed for domestic use. Commercial use is not permitted.
- 2.** This appliance may only be used for cooking purposes. It shall not be used for other purposes like heating a room.
- 3.** This appliance shall not be used to heat plates under the grill, drying clothes or towels by hanging them on the handle or for heating purposes.
- 4.** The manufacturer assumes no responsibility for any damage due to misuse or mishandling.
- 5.** Oven part of the unit may be used for thawing, roasting, frying and grilling food.
- 6.** Operational life of the product you have purchased is 10 years. This is the period for which the spare parts required for the operation of this product as defined is provided by the manufacturer.

Methods for Protecting Ceramic Glass Cooking Surface

Ceramic glass surface is unbreakable and scratch resistant to a certain degree. However, to avoid any damage, please do the following:

1. Never pour cold water on hot cookers.
2. Do not stand on a ceramic glass plate.
3. Sudden pressure, for example, the effect of a falling salt shaker may be critical. So, do not place such objects on a place above the hobs.
4. After each use, make sure that the base of the cooking pot and surfaces of cooking zones are clean and dry.
5. Do not peel vegetables on the hob surfaces. Sand grains falling from the vegetables may scratch the ceramic glass plate.
6. Do not lay flammable materials such as cardboard or plastic on the oven. Objects such as tin, zinc, or aluminium (as well as aluminium foils or empty coffee pots) may melt on hot cooking surfaces and thus cause damage.
7. Take care not to let sugary foods or fruit juices contact the hot cooking zones. The ceramic glass surface may be stained by these.

Electrical Connection

1. Your oven requires 40 Amp fuse for mono phase or 3x16 Amp fuse for 3 phase supply according to electrical power for cooker section has 4 ceramic heater and oven section has electric models. Installation by a qualified electrician is mandatory.

2. Your oven is adjusted in compliance with 220-240V / 380-415V AC,50/60Hz. electric supply. If the mains are different from this specified value, contact your authorized service.

3. Electrical connection of the oven should only be made to connections / sockets with an earth system installed in compliance with local regulations. If there are no connections/sockets with an earth system in place where the oven will be installed, immediately contact a qualified electrician to install. The manufacturer is not responsible for damages that will arise because of the appliance not be connected to an earth system.

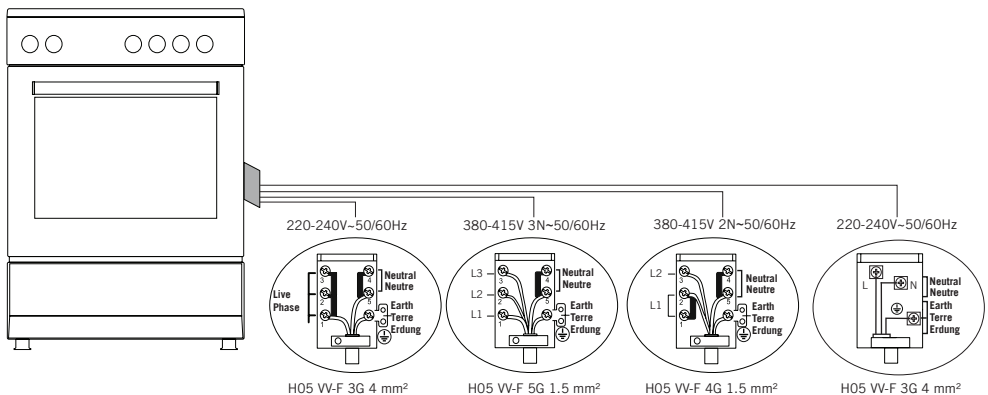
4. If your supply cable gets damaged, it should be replaced by an authorized service agent or qualified electrician in order to avoid danger or electric shock.

5. Electrical cable should not touch the hot parts of the appliance.

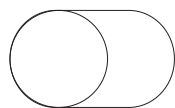
6. Operate your oven in dry atmosphere.

7. When placing your oven to its location, ensure that it is at the counter level. Bring it to the counter level by adjusting the feet if necessary.

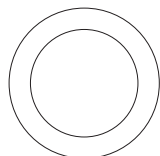
Electrical Connection Scheme



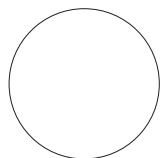
INTRODUCTION OF THE APPLIANCE



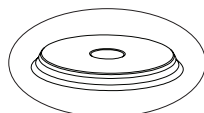
11



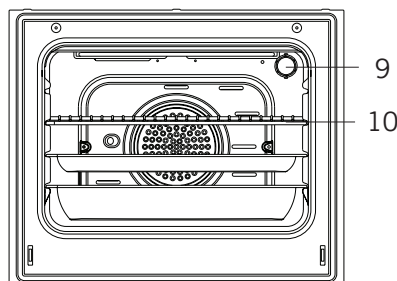
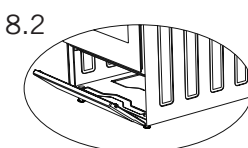
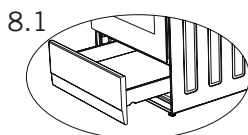
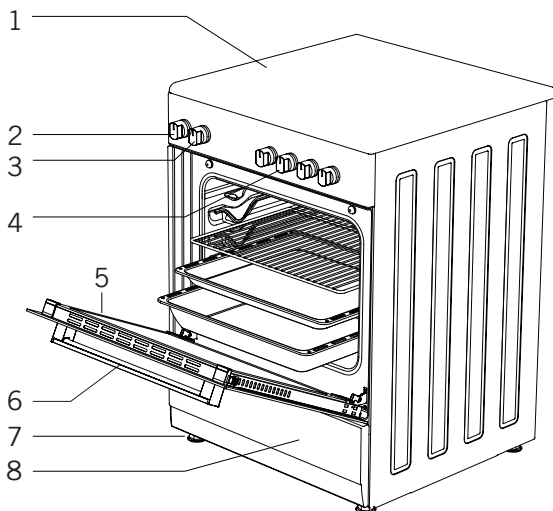
12



13



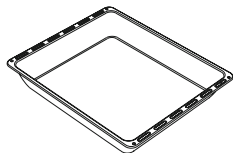
14



- 1. Glass top plate
- 2. Thermostat knob
- 3. Command knob for oven
- 4. Regulators for vitroceramic hobs
- 5. Oven door
- 6. Handle
- 7. Plastic leg
- 8. Lower cabinet door

- 8.1. Drawer
- 8.2. Flap door
- 9. Lamp
- 10. Grill
- 11. Ceramic heater (140 mm / 250 mm)
- 12. Ceramic heater (120 mm / 180 mm)
- 13. Ceramic heater (140 mm or 180 mm)
- 14. Hot plate (145 mm or 185 mm)

Accessories



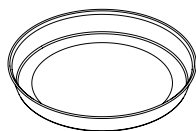
Deep tray *

Used for pastry, big roasts, watery foods. It can also be used as oil collecting container if you roast directly on grill with cake, frozen foods and meat dishes.



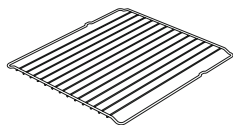
Tray / Glass tray *

Used for pastry (cookie, biscuit etc.), frozen foods.



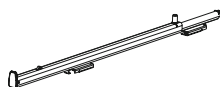
Circular tray *

Used for pastry frozen foods.



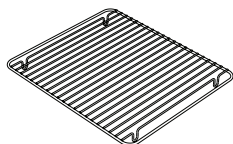
Wire grill

Used for roasting or placing foods to be baked, roasted and frozen into desired rack.



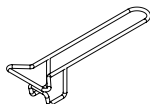
Telescopic rail *

Trays and wire racks can be removed and installed easily thanks to telescopic rails.



In tray wire grill *

Foods to stick while cooking such as steak are placed on in tray grill. Thus contact of food with tray and sticking are prevented.



Tray handle *

It is used to hold hot trays.

Technical features of your oven

Specifications	50x55	50x60	60x60
Outer width	500 mm	500 mm	600 mm
Outer depth	565 mm	630 mm	630 mm
Outer height	855 mm	855 mm	855 mm
Lamp power	15-25 W		
Bottom heating element	1000 W	1000 W	1200 W
Top heating element	800 W	800 W	1000 W
Turbo heating element	-----	1800 W	2200 W
Grill heating element	1500 W	1500 W	2000 W
Supply voltage	220-240V AC/380-415V AC 50/60 Hz		
Hot plate 145 mm *	1000 W		
Hot plate 180 mm *	1500 W		
Hot plate rapid 145 mm *	1500 W		
Hot plate rapid 180 mm *	2000 W		
Ceramic heater 140 mm *	1200 W		
Ceramic heater 180 mm *	1700 W / 1800 W		
Ceramic heater 140 mm / 250 mm *	1800 W		
Ceramic heater 120 mm / 180 mm *	1700 W		

WARNING: For the modification to be done by authorized service, this table should be considered. Manufacturer may not be held responsible for any problems rising because of any faulty modification.

WARNING: In order to increase the product quality, the technical specifications may be changed without prior notice.

WARNING: The values provided with the appliance or its accompanying documents are laboratory readings in accordance with the respective standards. These values may differ depending on the use and ambient conditions.

INSTALLATION OF YOUR OVEN

Check if the electrical installation is proper to bring the appliance in operating condition. If electricity installation is not suitable, call an electrician and plumber to arrange the utilities as necessary. Manufacturer shall not be held responsible for damages caused by operations performed by unauthorized persons.

WARNING: It is customer's responsibility to prepare the location the product shall be placed on and also to have the electrical installation prepared.

WARNING: The rules in local standards about electrical installations shall be followed during product installation.

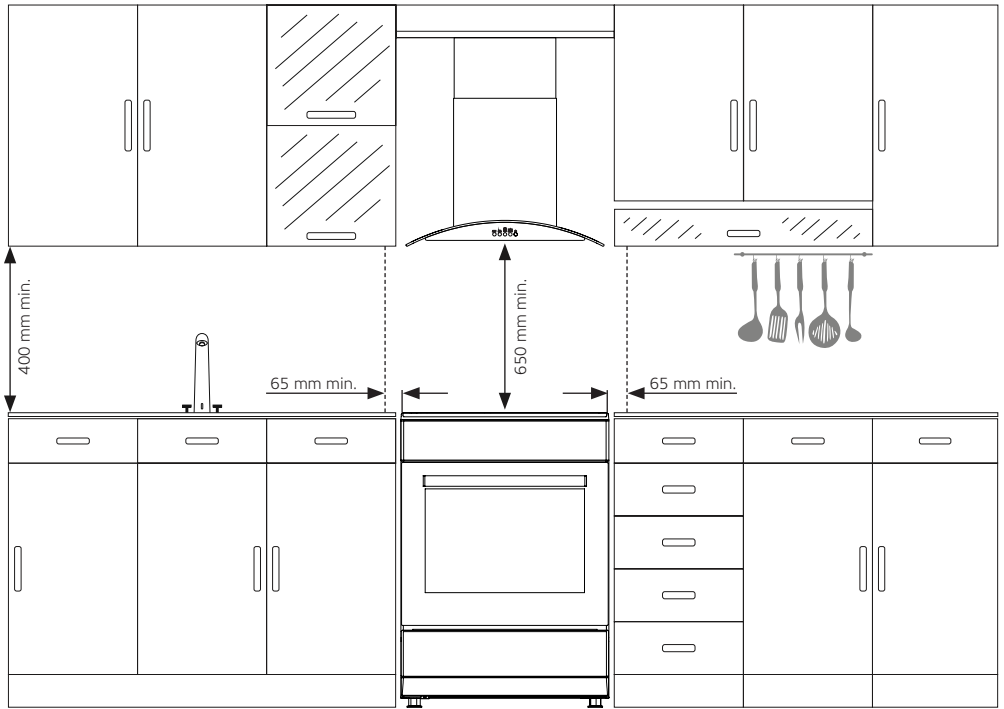
WARNING: Check for any damage on the appliance before installing it. Do not have the product installed if it is damaged. Damaged products cause a risk for your safety.

Right Place for Installation and Important Warnings

Appliance feet should not stay on soft surfaces such as carpets. The kitchen floor shall be durable to carry the unit weight and any other kitchenware that may be used on the oven.

Appliance should be used with a clearance of minimum 400 mm over the upper hob surfaces, and 65 mm from side surfaces inside a kitchen furniture.

The appliance is suitable for use on both side walls, without any support, or without being installed in a cabinet. If a hood or aspirator will be installed above the cooker, follow the instructions of the manufacturer for height of mounting. (min. 650 mm)

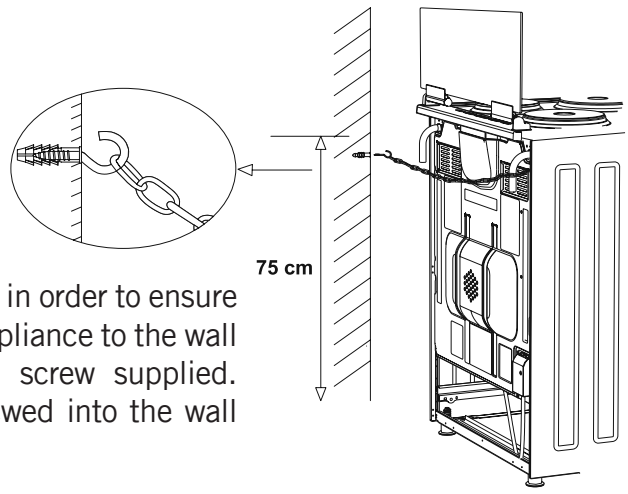


WARNING: The kitchen furniture near the appliance must be heat resistant.

WARNING: Do not install the appliance beside refrigerators or coolers. Heat radiated by the appliance increases the energy consumption of cooling devices.

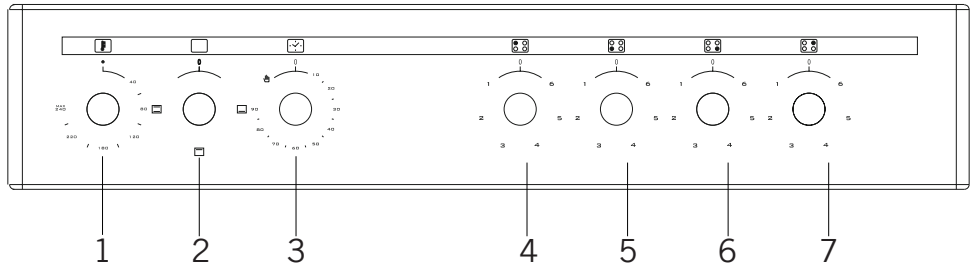
WARNING: Do not use the door and/or handle to carry or move the appliance.

Chain lashing illustration



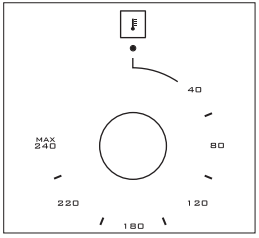
Before using the appliance, in order to ensure safe use, be sure to fix the appliance to the wall using the chain and hooked screw supplied. Ensure that the hook is screwed into the wall securely.

CONTROL PANEL

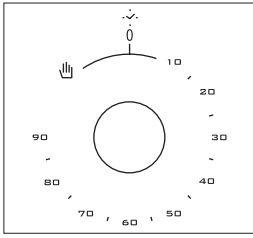


- 1. Thermostat
- 2. Function selection button
- 3. Mechanical timer *
- 4. Rear left electrical heater
- 5. Front left electrical heater
- 6. Front right electrical heater
- 7. Rear right electrical heater

WARNING: The control panel above is only for illustration purposes. Consider the control panel on your device.



Thermostat: Used for determining the cooking temperature of the dish to be cooked in the oven. After placing the food inside the oven, turn the switch to adjust desired temperature setting between 40-240 °C. For cooking temperatures of different food, see cooking table.



Mechanical timer*: Used for determining the period for cooking in the oven. When adjusted time is expired, power to heaters is turned off and an audible warnig signal is emitted. Mechanical timer can be adjusted to desired period between 0-90 minutes. For cooking periods, see cooking tables.

USING OVEN SECTION

Using Oven Heating Elements

1. When your oven is operated first time, an odor will be spread out which will be sourced from using the heating elements. In order to get rid of this, operate it at 240 °C for 45-60 minutes while it is empty.
2. Oven control knob should be positioned to desired value; otherwise oven does not operate.
3. Kinds of meals, cooking times and thermostat positions are given in cooking table. The values given in the cooking table are characteristic values and were obtained as a result of the tests performed in our laboratory. You can find different flavors suitable for your taste depending on your cooking and using habits.
4. You can make chicken revolving in your oven by means of the accessories.
5. Cooking times: The results may change according to the area voltage and material having different quality, amount and temperatures.
6. During the time when cooking is being performed in the oven, the lid of the oven should not be opened frequently. Otherwise circulation of the heat may be imbalanced and the results may change.

Using The Grill

1. When you place the grill on the top rack, the food on the grill shall not touch the grill.
2. You can preheat for 5 minutes while grilling. If necessary, you may turn the food upside down.
3. Food shall be in the center of the grill to provide maximum air flow through the oven.

To turn on the grill;

1. Place the function button over the grill symbol.
2. Then, set it to the desired grill temperature.

To turn the grill off;

Set the function button to the off position.

WARNING: Keep the oven door closed while grilling.

Using The Chicken Roasting *

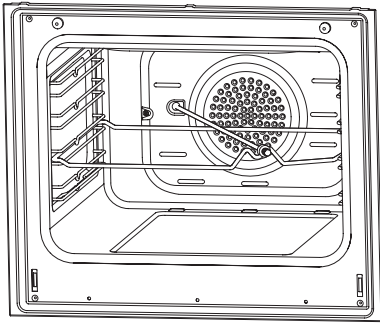


Figure 1

Place the spit on the frame. Slide turn spit frame into the oven at the desired level. Locate a dripping pan through the bottom in order to collect the fat. Add some water in dripping pan for easy cleaning. Do not forget to remove plastic part from spit. After grilling, screw the plastic handle to the skewer and take out the food from oven.

Using Cooker Section

Using And Description Of Hob Section For Vitroceramic

	Level 1	Level 2	Level 3	Level 4	Level 5	Level 6	Level 7	Level 8	Level 9	Max.
140 mm Commutator	130 W	206 W	350 W	500 W	850 W	1200 W	---	---	---	---
180 mm Commutator	180 W	470 W	790 W	850 W	1230 W	1700 W	---	---	---	---
180 mm Regulator	1800 W	1800 W	1800 W	1800 W	1800 W	1800 W	1800 W	1800 W	1800 W	---
140/250 mm	1000 W	1000 W	1000 W	1000 W	1000 W	1000 W	1000 W	1000 W	1000 W	1800 W
120/180 mm Dual Hilight	700 W	700 W	700 W	700 W	700 W	700 W	700 W	700 W	700 W	1700 W

1. You operate the hob with the ring switches on the control panel of oven. This switch regulates the energy in order to reach desired temperature set by you.

2. In order to have a good cooking result from the hob, the pans bottom should be as thick and flat as possible.

3. Bottom of pans and cooking zones should be the same size. If possible, always place lids on the pans. Always place cookware on the cooking zone before it is switched on. Switch cooking zones off before the end of the cooking time, to take advantage of residual heat.

4. Turn the knob to clockwise for starting to operate. Temperature set up by the knob position on the line gradually increasing up to max. (Single zone)

5. For dual cooking zone the first ring operating like single zone; second ring starts to operate after extra turning by some more force to clock wise on the "max" region end of the ring sign. When you turn to counter clock wise, the first ring will operate as maximum range and the second ring's power will reduce up to you desire temperature.

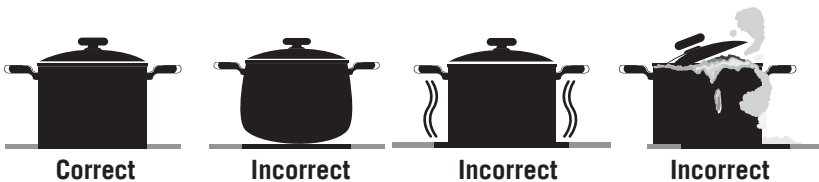
Using Hot Plates

	Level 1	Level 2	Level 3	Level 4	Level 5	Level 6
80 mm	200 W	250 W	450 W	---	---	---
145 mm	250 W	750 W	1000 W	---	---	---
180 mm	500 W	750 W	1500 W	---	---	---
145 mm rapid	500 W	1000 W	1500 W	---	---	---
180 mm rapid	850 W	1150 W	2000 W	---	---	---
145 mm	95 W	155 W	250 W	400 W	750 W	1000 W
180 mm	115 W	175 W	250 W	600 W	850 W	1500 W
145 mm rapid	135 W	165 W	250 W	500 W	750 W	1500 W
180 mm rapid	175 W	220 W	300 W	850 W	1150 W	2000 W
220 mm	220 W	350 W	560 W	910 W	1460 W	2000 W

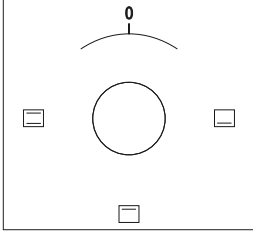
1. Electric hotplates have standard of 6 temperature levels. (as describe herein above)

2. When using first time, operate your electric hotplate in position 6 for 5 minutes. This will make the agent on your hotplate which is sensitive to heat get hardened by burning.

3. Use flat bottomed saucepans which fully contact with the heat as much as you can, so that you can use the energy more productively.



PROGRAM TYPES



Function Button: Used for determining the heaters to be used for cooking the dish to be cooked in the oven. Heater program types in this button and their functions are described below. All heater types and program types consisting of these heaters may not be available at all models.

	Turnspit		Fan
	Top + Bottom heating element		Turbo heating + Fan
	Lamp		Bottom + Top heating elements + Fan
	Bottom heating element + Fan		Grill heating element + Fan
	Grill heating element		Grill burner / Grill heating element
	Grill heating element + Lamp		Top heating element
	Electrical timer		Oven burner / Bottom heating element

WARNING: All heater types and program types consisting of these heaters may not be available at all models.

COOKING TIME TABLE

WARNING: Oven must be preheated for 10 minutes before placing the food in it.

Foods	Cooking Function	Temperature (°C)	Rack Position	Cooking Duration (min.)
Cake (Tray / Mold)	Static / Static+fan	170-180	2	35-45
Small cakes	Static / Turbo+fan	170-180	2	25-30
Patty	Static / Static+fan	180-200	2	35-45
Pastry	Static	180-190	2	25-30
Cookie	Static	170-180	3	20-25
Apple pie	Static / Turbo+fan	180-190	2	50-70
Sponge cake	Static	200/150 *	2	20-25
Pizza	Static+fan	180-200	3	20-30
Lasagna	Static	180-200	2	25-40
Meringue	Static	100	2	60
Chicken	Static+fan / Turbo+fan	180-190	2	45-50
Grilled chicken **	Grill	200-220	4	25-30
Grilled fish **	Grill+fan	200-220	4	25-30
Sirloin steak **	Grill+fan	Max.	4	15-20
Grilled meat balls **	Grill	Max.	4	20-25

* Without pre-heating. Half of the cooking should be 200 °C and then second half should be 150 °C.

** During the half of cooking, meal should be turned around.

MAINTENANCE AND CLEANING

1. Disconnect the plug supplying electricity for the oven from the socket.
2. While oven is operating or shortly after it starts operating, it is extremely hot. You must avoid touching from heating elements.
3. Never clean the interior part, panel, lid, trays and all other parts of the oven by the tools like hard brush, cleaning mesh or knife. Do not use abrasive, scratching agents and detergents.
4. After cleaning the interior parts of the oven with a soapy cloth, rinse it and then dry thoroughly with a soft cloth.
5. Clean the glass surfaces with special glass cleaning agents.
6. Do not clean your oven with steam cleaners.
7. Before opening the upper lid of the oven, clean spilled liquid off the lid. Also, before closing the lid, ensure that the cooker table is cooled enough.
8. Never use inflammable agents like acid, thinner and gasoline when cleaning your oven.
9. Do not wash any part of your oven in dishwasher.
10. In order to clean the front glass lid of the oven; remove the fixing screws fixing the handle by means of a screwdriver and remove the oven door. Than clean and rinse it thoroughly. After drying, place the oven glass properly and re-install the handle.

Installation Of The Oven Door

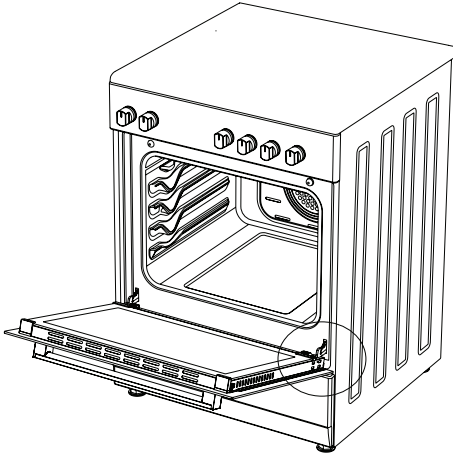


Figure 2

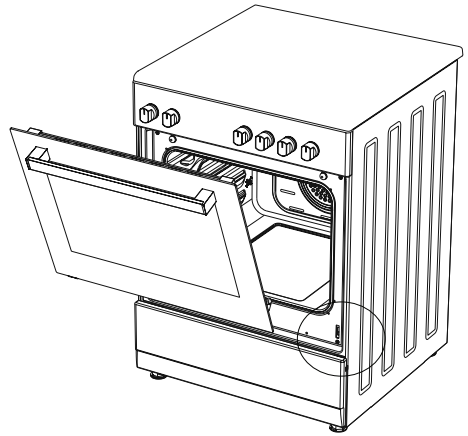


Figure 3

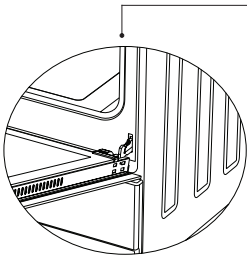


Figure 2.1

Completely open the oven door by pulling it to yourself. Afterwards, perform the unlocking process by pulling the hinge lock upwards with the help of a screw driver as shown in **figure 2.1**.

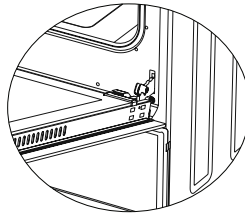


Figure 2.2

Bring the hinge lock to the widest angle as shown in **figure 2.2**. Bring both hinges connecting the oven door to the oven to the same position.

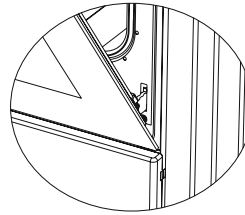


Figure 3.1

Afterwards, close the oven door as to lean on the hinge lock as shown in **figure 3.1**.

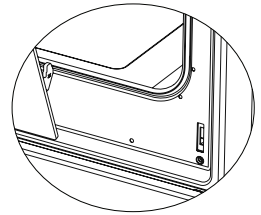


Figure 3.2

To remove the oven door, pull it upwards by holding it with both hands when close to the closed position as shown in **figure 3.2**.

In order to re-place the oven door, perform the abovementioned steps in reverse.

Cleaning And Maintenance Of The Oven's Front Door Glass

Remove the profile by pressing the plastic latches on both left and right sides as shown in figure 4 and pulling the profile towards yourself as shown in figure 5. Then remove the inner-glass as shown in figure 6. If required, middle glass can be removed in the same way. After cleaning and maintenance are done, remount the glasses and the profile in reverse order. Make sure the profile is properly seated in its place.

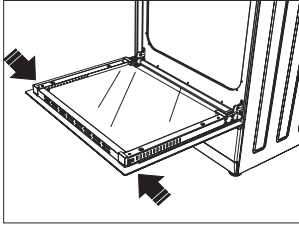


Figure 4

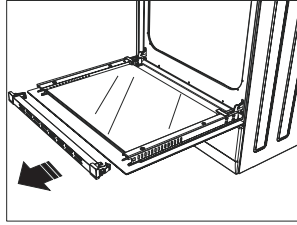


Figure 5

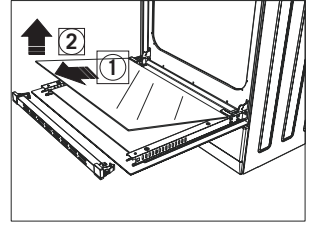


Figure 6

Catalytic Walls *

Catalytic walls are located on the left and the right side of cavity under the guides. Catalytic walls banish the bad smell and obtain the best performance from the cooker. Catalytic walls also absorb oil residue and clean your oven while it's operating.

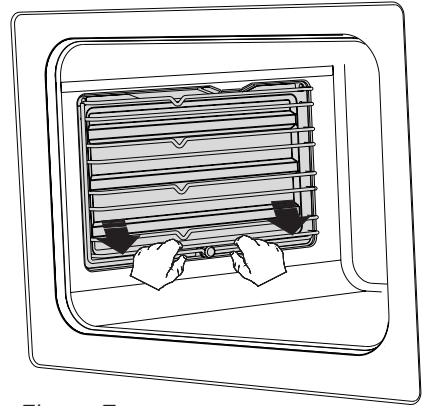
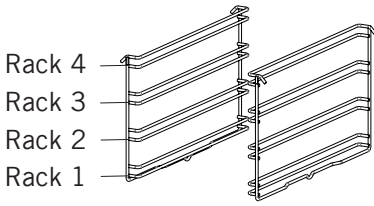


Figure 7

Removing the catalytic walls

In order to remove the catalytic walls; the guides must be pulled out. As soon as the guides are pulled out, the catalytic walls will be released automatically. The catalytic walls must be changed after 2-3 years.

Rack Positions



It is important to place the wire grill into the oven properly. Do not allow wire rack to touch rear wall of the oven. Rack positions are shown in the next figure. You may place a deep tray or a standard tray in the lower and upper wire racks.

Installing and removing wire racks

To remove wire racks, press the clips shown with arrows in the figure, first remove the lower, and then the upper side from installation location. To install wire racks; reverse the procedure for removing wire rack.

Changing The Oven Lamp

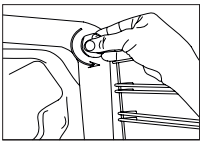
WARNING: To avoid electric shock, ensure that the appliance circuit is open before changing the lamp. (having circuit open means power is off) First disconnect the power of appliance and ensure that appliance is cold.

Remove the glass protection by turning as indicated in the figure on the left side. If you have difficulty in turning, then using plastic gloves will help you in turning.

Then remove the lamp by turning, install the new lamp with same specifications.

Reinstall glass protection, plug the power cable of appliance into electrical socket and complete replacement. Now you can use your oven.

Type G9 Lamp



220-240 V, AC
15-25 W

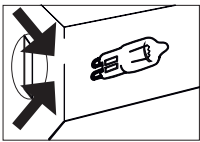
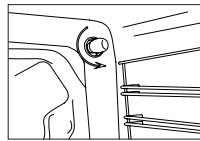


Figure 8

Type E14 Lamp



220-240 V, AC
15 W

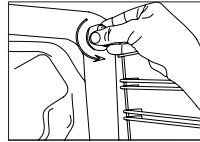


Figure 9

Using The Grill Deflector Sheet *

1. A safety panel is designed to protect control panel and the buttons when the oven is in grill mode. (figure 10)

2. Please use this safety panel in order to avoid the heat to damage control panel and the buttons when the oven is grill mode.

WARNING: Accessible parts may be hot when the grill in use. Young children should be kept away.

3. Place the safety panel under control panel by opening the oven front cover glass. (figure 11)

4. And then secure the safety panel in between oven and front cover by gently closing the cover. (figure 12)

5. It is important for cooking to keep the cover open in specified distance when cooking in grill mode.

6. Safety panel will provide an ideal cooking circumstance while protecting control panel and buttons.

WARNING: If the cooker has the “**closed grill functioned**” option with thermostat, you can keep the oven door closed during operation; in this case the grill deflector sheet will be unnecessary.

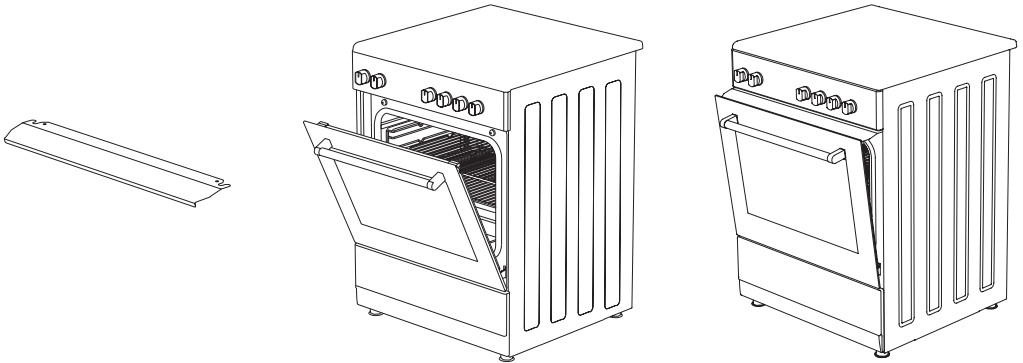


Figure 10

Figure 11

Figure 12

TROUBLESHOOTING

You may solve the problems you may encounter with your product by checking the following points before calling the technical service.

Check Points

In case you experience a problem about the oven, first check the table below and try out the suggestions.

Problem	Possible Cause	What to Do
Oven does not operate.	Power supply not available.	Check for power supply.
Oven stops during cooking.	Plug comes out from the wall socket.	Re-install the plug into wall socket.
Turns off during cooking.	Too long continuous operation.	Let the oven cool down after long cooking cycles.
	More than one plugs in a wall socket.	Use only one plug for each wall socket.
Oven door is not opening properly.	Food residues jammed between the door and internal cavity.	Clean the oven well and try to re-open the door.
Electric shock when touching the oven.	No proper grounding.	Make sure power supply is grounded properly.
	Ungrounded wall socket is used.	
Water dripping.	Water or steam may generate under certain conditions depending on the food being cooked. This is not a fault of the appliance.	Let the oven cool down and than wipe dry with a dishcloth.
Steam coming out from a crack on oven door.		
Water remaining inside the oven.		

Problem	Possible Cause	What to Do
Smoke coming out during operation.	When operating the oven for the first time	Smoke comes out from the heaters. This is not a fault. After 2-3 cycles, there will be no more smoke.
	Food on heater.	Let the oven to cool down and clean food residues from the heater.
When operating the oven burnt or plastic odour coming out.	Plastic or other not heat resistant accessories are being used inside the oven.	At high temperatures, use suitable glassware accessories.
Oven does not heat.	Oven door is open.	Close the door and restart.
	Oven controls not correctly adjusted.	Read the section regarding operation of the oven and reset the oven.
	Fuse tripped or circuit breaker turned off.	Replace the fuse or reset the circuit breaker. If this is repeating frequently, call an electrician.
Oven does not cook well.	Oven door is opened frequently during cooking.	Do not open oven door frequently, if the food you are cooking does not require turning. If you open the door frequently internal temperature drops and therefore cooking result will be influenced.
Internal light is dim or does not operate.	Foreign object covering the lamp during cooking.	Clean internal surface of the oven and check again.
	Lamp might be failed.	Replace with a lamp with same specifications.

HANDLING RULES

1. Do not use the door and/or handle to carry or move the appliance.
2. Carry out the movement and transportation in the original packaging.
3. Pay maximum attention to the appliance while loading/unloading and handling.
4. Make sure that the packaging is securely closed during handling and transportation.
5. Protect from external factors (such as humidity, water, etc.) that may damage the packaging.
6. Be careful not to damage the appliance due to bumps, crashes, drops, etc. while handling and transporting and not to break or deform it during operation.

RECOMMENDATIONS FOR ENERGY SAVING

Following details will help you use your product ecologically and economically.

1. Use dark coloured and enamel containers that conduct the heat better in the oven.
2. As you cook your food, if the recipe or the user manual indicates that pre-heating is required, pre-heat the oven.
3. Do not open the oven door frequently while cooking.
4. Try not to cook multiple dishes simultaneously in the oven. You may cook at the same time by placing two cookers on the wire rack.
5. Cook multiple dishes successively. The oven will not lose heat.
6. Turn off the oven a few minutes before the expiration time of cooking. In this case, do not open the oven door.
7. Defrost the frozen food before cooking.

ENVIRONMENTALLY-FRIENDLY DISPOSAL



Dispose of packaging in an environmentally-friendly manner.

This appliance is labelled in accordance with European Directive 2012/19/EU concerning used electrical and electronic appliances (waste electrical and electronic equipment - WEEE). The guideline determines the framework for the return and recycling of used appliances as applicable throughout to the EU.

PACKAGE INFORMATION

Packaging materials of the product are manufactured from recyclable materials in accordance with our National Environment Regulations. Do not dispose of the packaging materials together with the domestic or other wastes. Take them to the packaging material collection points designated by the local authorities.

Caro Utilizador,

O nosso objetivo é fazer com que este produto lhe forneça o melhor do que é fabricado nas nossas modernas instalações num ambiente de trabalho minucioso, em conformidade com o conceito de qualidade total.

Portanto, sugerimos que antes de usar o produto leia o manual do utilizador com atenção e que o mantenha permanentemente à sua disposição.

Nota: Este manual do utilizador está preparado para mais do que um modelo. Algumas das funções especificadas no manual podem não estar disponíveis no seu aparelho.

Todos os nossos aparelhos são apenas para uso doméstico, não para uso comercial.

Os produtos marcados com (*) são opcionais.

“Em conformidade com a regulamentação REEE.”

Conteúdo

Advertências importantes.....	38
Métodos para proteção da superfície de cozedura em vidro cerâmico.....	47
Ligação elétrica.....	48
Apresentação do aparelho.....	49
Acessórios.....	50
Funções técnicas do seu forno.....	51
Instalação do seu forno.....	52
Ilustração da fixação da corrente.....	54
Painel de controlo.....	54
Usar a secção do forno.....	55
Usar o grelhador.....	56
Usar o assador de frango.....	56
Usar a secção do fogão.....	57
Tipos de programa.....	59
Tabela de tempo de cozedura.....	60
Manutenção e limpeza.....	61
Montagem da porta do forno.....	62
Limpeza e manutenção da porta de vidro na.....	63
Paredes catalíticas.....	63
Posições da grelha.....	64
Substituição da lâmpada do forno.....	64
Usar a chapa defletora do grelhador.....	65
Resolução de problemas.....	66
Regras de manuseamento.....	68
Recomendações de eficiência energética.....	68
Eliminação amiga do ambiente.....	69
Informação sobre a embalagem.....	69

ADVERTÊNCIAS IMPORTANTES

1. A instalação e reparação devem ser sempre realizadas por **“ASSISTÊNCIA AUTORIZADA”**. O fabricante não será responsável pelas operações realizadas por pessoas não autorizadas.

2. Deve ler cuidadosamente estas instruções de funcionamento. Apenas desta forma pode usar o aparelho em segurança e de forma correta.

3. O forno deverá ser usado de acordo com as instruções de funcionamento.

4. Manter afastadas as crianças com menos de 8 anos e os animais quando estiver a utilizar.

5. **ADVERTÊNCIA: As partes acessíveis podem ficar quentes enquanto usar o grelhador. Manter afastado de crianças.**

6. **ADVERTÊNCIA: Perigo de incêndio; não armazenar os materiais sobre a superfície de cozedura.**

7. **ADVERTÊNCIA: O aparelho e as peças acessíveis ficam quentes durante o funcionamento.**

8. As condições de montagem deste dispositivo são especificadas na etiqueta. (Ou na chapa de dados)

9. As partes acessíveis podem ficar quentes quando o grelhador é usado. As crianças pequenas devem ser mantidas afastadas.

10. **ADVERTÊNCIA: Este aparelho é destinado para cozinhar. Não deve ser usado para outros fins como para aquecer uma sala.**

11. Não usar aparelhos de limpeza a vapor para limpar o aparelho.

12. Assegurar que a porta do forno está completamente fechada depois de colocar os alimentos dentro do forno.

13. NUNCA tentar apagar o fogo com água. Desligar apenas o circuito do dispositivo e cobrir a chama com uma cobertura ou uma manta corta-fogo.

14. Crianças menores de 8 anos de idade devem ser mantidas afastadas, se não puderem ser vigiadas continuamente.

15. Deve ser evitado tocar nos elementos de aquecimento.

16. CUIDADO: O processo de cozedura deve ser vigiado. O processo de cozedura deve ser sempre vigiado.

17. Este dispositivo pode ser utilizado por crianças com mais de 8 anos de idade, pessoas com problemas físicos, auditivos ou mentais ou pessoas com falta de experiência ou conhecimento; desde que o controlo seja assegurado ou seja fornecida informação em relação aos perigos.

18. Este dispositivo foi concebido apenas para uso doméstico.

19. As crianças não devem brincar com o aparelho. A limpeza ou manutenção do utilizador não deve ser feita por crianças a menos que tenham mais de 8 anos e sejam vigiadas por adultos.

20. Manter o aparelho e o respetivo cabo de alimentação afastado das crianças com menos de 8 anos.

21. Colocar as cortinas, tules, papel ou qualquer material inflamável (comburente) longe do aparelho antes de começar a usar o aparelho. Não colocar materiais comburentes ou inflamáveis sobre ou no interior do aparelho.

22. Manter os canais de ventilação abertos.

23. O aparelho não é adequado para usar com um temporizador externo ou sistema de controlo remoto separado.

24. Não aquecer latas fechadas e frascos de vidro. A pressão pode levar os frascos a explodir.

25. A pega do forno não é um secador de toalhas. Não pendurar toalhas, etc. na pega do forno.

26. Não colocar os tabuleiros do forno, placas ou folhas de alumínio diretamente sobre a base do forno. O calor acumulado pode danificar a base do forno.

27. Ao colocar ou retirar alimentos do forno, etc., usar sempre luvas de forno resistentes ao calor.

28. Não usar o produto em estados como sob influência de medicamentos e/ou de álcool que possam afetar a sua capacidade de discernimento.

29. Ter cuidado quando usar álcool nos seus alimentos. O álcool irá evaporar a temperaturas elevadas e pode incendiar-se provocando um incêndio, se entrar em contacto com superfícies quentes.

30. Após cada utilização, verificar se a unidade está desligada.

31. Se o aparelho estiver defeituoso ou apresentar danos visíveis, não utilizar o aparelho.

32. Não tocar na ficha com as mãos molhadas. Não puxar o cabo para desligar, segurar sempre pela ficha.

33. Não usar o aparelho com o vidro da porta da frente retirado ou partido.

34. Colocar o papel vegetal junto com o alimento num forno pré-aquecido, colocando-o dentro de uma panela ou num acessório de forno (tabuleiro, grelha de arame, etc.).

35. Não colocar sobre o aparelho objetos que as crianças possam alcançar.

36. É importante colocar a grelha de arame e bandeja corretamente nas prateleiras de arame e/ou colocar corretamente o tabuleiro na prateleira. Colocar a grelha ou o tabuleiro entre duas guias e verificar se está equilibrada antes de colocar alimentos sobre ela.

37. Para evitar o risco de tocar nos elementos de aquecimento do forno, remover as partes excedentes do papel vegetal que ficar pendurado do acessório ou recipiente.

38. Nunca o usar em temperaturas do forno mais elevadas do que a temperatura máxima de uso indicada no papel vegetal. Não colocar o papel vegetal na base do forno.

39. Quando a porta estiver aberta, não colocar qualquer objeto pesado sobre a porta ou permitir que as crianças se sentem nela. Pode fazer com que o forno se vire ou as dobradiças da porta fiquem danificadas.

40. Os materiais de embalagem são perigosos para as crianças. Manter o material de embalagem afastado do alcance das crianças.

41. Não usar produtos de limpeza abrasivos ou raspadores metálicos afiados para limpar o vidro, pois os arranhões que podem ocorrer na superfície do vidro da porta podem provocar a quebra do vidro.

42. Não bater em superfícies de vidro de placas de vitrocerâmica com um metal duro, a resistência pode ficar danificada. Isso pode provocar um choque elétrico.

43. O utilizador não deve tratar do forno por si mesmo.

44. O uso deve ser cuidadoso ao limpar queimadores a gás. Pode causar danos pessoais.

45. O alimento pode entornar quando o pé de forno é desmontado ou partido, ter cuidado. Pode causar danos pessoais.

46. Durante a utilização as superfícies interior e exterior do forno ficam quentes. Ao abrir a porta do forno, recuar para evitar o vapor quente que sai do interior. Há risco de queimadura.

47. A tampa superior do forno pode ser fechada por um motivo, que não seja poder tropeçar nas painéis. Recuar para evitar que os alimentos quentes lhe caiam em cima. Há risco de queimadura.

48. Não colocar objetos pesados quando a porta do forno estiver aberta, risco de queda.

49. O utilizador não deve deslocar a resistência durante a limpeza. Isso pode provocar um choque elétrico.

50. Não retirar os interruptores de ignição do aparelho. Caso contrário, pode haver acesso a cabos elétricos ao vivo. Isso pode provocar um choque elétrico.

51. A alimentação do forno pode ser desligada durante qualquer trabalho de construção em casa. Depois de concluir o trabalho, deve ser a assistência autorizada a ligar de novo o forno.

52. Não colocar utensílios de metal, como faca, garfo, colher sobre a superfície do aparelho, pois ficarão quentes.

53. Para evitar o sobreaquecimento, o aparelho não deve ser instalado atrás de uma cobertura decorativa.

54. Desligar o aparelho antes de retirar as proteções. Depois de limpar, instalar as proteções de acordo com as instruções.

55. O ponto de fixação do cabo deverá ser protegido.

56. Não deve cozinhar os alimentos diretamente sobre o tabuleiro/grelha. Deve colocar os alimentos dentro ou sobre ferramentas adequadas antes de pôr no forno.

57. CUIDADO: Se o vidro do fogão se partir, desligar de imediato todos os elementos de aquecimento e desligar o aparelho da fonte de alimentação, não tocar na superfície do aparelho e não usar o mesmo.

Segurança elétrica

1. Ligar o aparelho a uma tomada com ligação à terra protegida por um fusível, em conformidade com os valores especificados no quadro de especificações técnicas.

2. Pedir a um electricista autorizado o equipamento de ligação à terra. A nossa empresa não será responsável pelos danos que serão incorridos devido ao uso do produto sem ligação à terra de acordo com os regulamentos locais.

3. Os interruptores do disjuntor do forno devem ser colocados de forma que o utilizador final os possa alcançar quando o forno estiver instalado.

4. O cabo de alimentação (o cabo com ficha) não deve entrar em contacto com as partes quentes do aparelho.

5. Se o cabo de alimentação (o cabo com ficha) estiver danificado, deve ser substituído pelo fabricante ou pelo seu agente de assistência ou por pessoal igualmente qualificado para evitar uma situação perigosa.

6. Nunca lavar o produto pulverizando-o ou deitando água sobre o mesmo! Há um risco de electrocução.

7. ADVERTÊNCIA: Para evitar choque elétrico, verificar se o circuito do dispositivo está aberto antes de trocar a lâmpada.

8. ADVERTÊNCIA: Desligar todas as ligações do circuito de alimentação antes de aceder aos terminais.

9. ADVERTÊNCIA: Se a superfície estiver partida, desligar o aparelho para evitar risco de choque elétrico.

10. Não usar cabos cortados ou danificados ou cabos de extensão que não sejam o cabo original.

11. Assegurar que não há líquido ou humidade na tomada onde a ficha do produto for instalada.

12. A superfície traseira do forno também aquece quando o forno está a funcionar. As ligações elétricas não devem tocar na superfície traseira, caso contrário as ligações podem ficar danificadas.

13. Não apertar os cabos de ligação à porta do forno e não os colocar sobre superfícies quentes. Se o cabo se derreter, isto pode causar curto-circuito no forno e até um incêndio.

14. Desligar a unidade da ficha durante a instalação, manutenção, limpeza e reparação.

15. Se o cabo de alimentação estiver danificado, deve ser substituído pelo fabricante ou pelo seu agente de assistência ou uma pessoa igualmente qualificada de modo a evitar alguma situação perigosa.

16. Assegurar que a ficha está firmemente inserida na tomada de parede para evitar faíscas.

17. Não usar aparelhos de limpeza a vapor para limpar o aparelho, caso contrário poderá ocorrer choque elétrico.

18. É necessária um interruptor unipolar capaz de desligar a fonte de alimentação para a instalação. O desligamento da fonte de alimentação deve ser fornecido com um interruptor ou um fusível integrado instalado na fonte de alimentação fixa de acordo com o código do edifício.

19. O aparelho está equipado com um cabo de fio **tipo “Y”**.

20. As ligações fixas devem ser ligadas a uma fonte de alimentação que permita desligamento unipolar. Para aparelhos com categoria de sobretensão abaixo de III, o dispositivo de desligamento deve ser ligado à fonte de alimentação fixa de acordo com o código de fiação.

Utilização prevista

1. Este produto é concebido para utilização doméstica. Não é permitido o uso comercial do aparelho.

2. Este aparelho apenas deve ser usado para fins culinários. Não deve ser usado para outros fins como para aquecer uma sala.

3. Este aparelho não deve ser utilizado para aquecer placas sob o grelhador, secar roupa ou toalhas pendurando-as na pega ou para fins de aquecimento.

4. O fabricante não assume responsabilidades por qualquer dano devido a uso indevido ou inadequado.

5. Parte do forno da unidade pode ser usada para descongelar, assar, fritar e grelhar alimentos.

6. A vida útil do produto que adquiriu é de 10 anos. Este é o período para o qual as peças de reposição necessárias para o funcionamento deste produto são fornecidas pelo fabricante, conforme definido.

Métodos para proteção da superfície de cozedura em vidro cerâmico

A superfície de vidro cerâmico é inquebrável e em certa medida resistente aos riscos. No entanto, para evitar quaisquer danos, deve fazer o seguinte:

- 1.** Nunca verter água fria sobre os queimadores quentes.
- 2.** Não se apoiar sobre uma placa de vidro cerâmico.
- 3.** Uma pressão repentina, por exemplo, o efeito de uma queda de um saleiro pode ser grave. Portanto, não colocar este tipo de objetos numa posição por cima das placas.
- 4.** Depois de cada utilização, assegurar que a base do recipiente de cozinha e as superfícies da zona de cozedura são limpas e secas.
- 5.** Não descascar vegetais em cima das superfícies da placa. Os grãos de areia que podem cair dos vegetais podem riscar a placa de vidro cerâmico.
- 6.** Não colocar materiais inflamáveis como cartão ou plástico dentro do forno. Objetos tal como de estanho, zinco ou alumínio (assim como as películas de alumínio ou recipientes de café vazios) podem derreter quando colocados em cima das superfícies de cozedura quentes e, portanto, podem causar danos.
- 7.** Deve ser tido cuidado no que se refere ao contacto de alimentos açucarados ou de sumos de fruta com as zonas quentes de cozedura. A superfície de vidro cerâmico podem ficar manchadas.

Ligação Elétrica

1. O seu forno necessita de 40 amperes de acordo com a potência do aparelho. Se necessário, é recomendada a instalação por um electricista qualificado.

2. O seu forno está ajustado de acordo com a alimentação elétrica de 220-240V CA/380-415V CA 50/60Hz. Se as redes forem diferentes deste valor especificado, entrar em contacto com a assistência autorizada.

3. A ligação elétrica do forno só deve ser feita pelas tomadas com sistema de terra instalado em conformidade com os regulamentos. Se não houver nenhuma tomada adequada com o sistema de terra no local onde o forno vai ser colocado, contactar imediatamente um electricista qualificado. O fabricante nunca será responsável pelos danos que surgirão devido às tomadas ligadas ao aparelho sem sistema de ligação à terra. Se as extremidades do cabo de ligação elétrica forem abertas, de acordo com o tipo de aparelho, fazer um interruptor adequado instalado na rede elétrica na qual todas as extremidades possam ser desligadas em caso de ligação/desligamento de/para a rede elétrica.

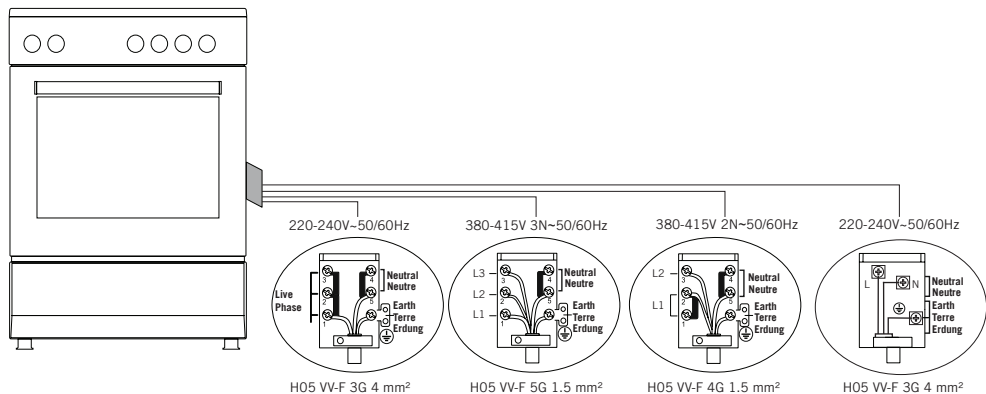
4. Se o seu cabo de alimentação elétrica estiver com defeito, deve ser substituído pela assistência autorizada ou electricistas qualificados para evitar perigos.

5. O cabo elétrico não deve tocar nas partes quentes do aparelho.

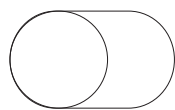
6. Deve ligar o seu forno numa atmosfera seca.

7. Quando colocar o forno no local, assegurar que está ao nível do contador. Colocá-lo ao nível do contador, ajustando os pés, se necessário.

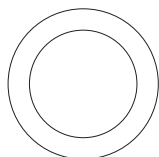
Esquema de ligação elétrica



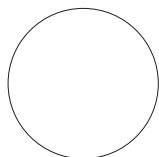
APRESENTAÇÃO DO APARELHO



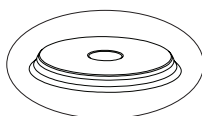
11



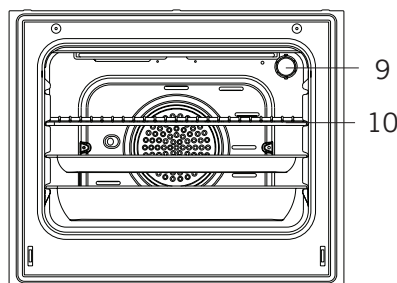
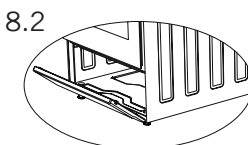
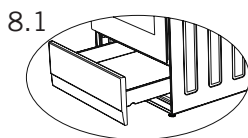
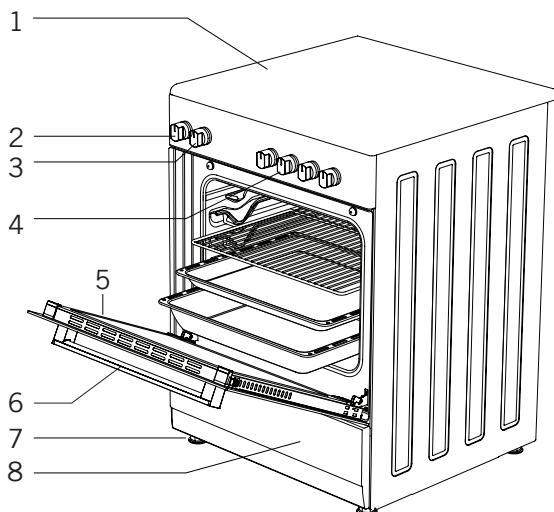
12



13



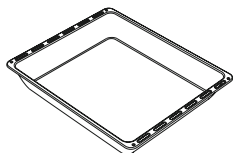
14



- 1. Placa de topo em vidro
- 2. Botão do termostato
- 3. Botão de comando para o forno
- 4. Reguladores para as placas vitrocerâmicas
- 5. Porta do forno
- 6. Pega
- 7. Pé de plástico
- 8. Porta do compartimento inferior
- 8.1. Gaveta

- 8.2. Porta basculante
- 9. Lâmpada
- 10. Grelhador
- 11. Queimador cerâmico (140 mm / 250 mm)
- 12. Queimador cerâmico (120 mm / 180 mm)
- 13. Queimador cerâmico (140 mm ou 180 mm)
- 14. Placa quente (145 mm ou 185 mm)

Acessórios



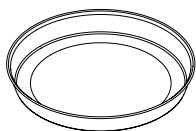
Tabuleiro fundo *

Utilizado para produtos de pastelaria, grandes assados, alimentos cozidos com água. Também pode ser utilizado como recipiente de recolha de óleo se assar diretamente no grelhador bolos, alimentos congelados e pratos de carne.



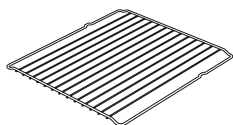
Tabuleiro / Tabuleiro vidro *

Utilizado para produtos de pastelaria (bolachas, biscoitos, etc), alimentos congelados.



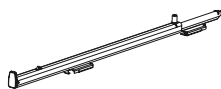
Tabuleiro redonda *

Utilizado para produtos de pastelaria alimentos congelados.



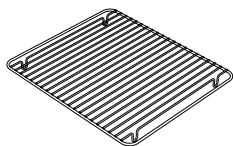
Grelha de arame

Utilizada para assar ou colocar alimentos que serão assados, gratinados e congelados no rack pretendido.



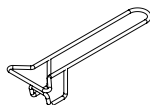
Friso telescópica *

Os tabuleiros e racks de arame podem ser removidos e instalados facilmente graças ao friso telescópico.



Grelha de arame sobre o tabuleiro *

Os alimentos que aderem ao cozinhar, como bifes, devem ser colocados na grelha do tabuleiro. Desse modo impede se o contacto do alimento com o tabuleiro.



Pega do tabuleiro *

É usada para segurar tabuleiros quentes.

Funções Técnicas Do Seu Forno

Especificações	50x55	50x60	60x60
Largura exterior	500 mm	500 mm	600 mm
Profundidade exterior	565 mm	630 mm	630 mm
Altura exterior	855 mm	855 mm	855 mm
Potência da lâmpada	15-25 W		
Elemento de aquecimento inferior	1000 W	1000 W	1200 W
Elemento de aquecimento superior	800 W	800 W	1000 W
Elemento de aquecimento turbo	-----	1800 W	2200 W
Elemento de aquecimento do grelhador	1500 W	1500 W	2000 W
Tensão de alimentação	220-240V AC/380-415V AC 50/60 Hz		
Placa de aquecimento 145 mm *	1000 W		
Placa de aquecimento 180 mm *	1500 W		
Placa de aquecimento rápida 145 mm *	1500 W		
Placa de aquecimento rápida 180 mm *	2000 W		
Queimador cerâmico 140 mm *	1200 W		
Queimador cerâmico 180 mm *	1700 W / 1800 W		
Queimador cerâmico 140 mm / 250 mm *	1800 W		
Queimador cerâmico 120 mm / 180 mm *	1700 W		

ADVERTÊNCIA: Deve ser considerada esta tabela para a modificação ser feita pela assistência autorizada. O fabricante não pode ser responsabilizado por qualquer problema que surja devido a qualquer modificação defeituosa.

ADVERTÊNCIA: Para aumentar a qualidade do produto, as especificações técnicas podem ser alteradas sem aviso prévio.

ADVERTÊNCIA: Os valores fornecidos com o aparelho ou dos documentos que a acompanham são leituras de laboratório em conformidade com as respectivas normas. Estes valores podem diferir dependendo das condições de utilização e ambientais.

INSTALAÇÃO DO SEU FORNO

Verificar se a instalação elétrica é adequada para colocar o aparelho em condições de funcionamento. Se a instalação elétrica não for adequada, contactar um electricista e um canalizador para fazer as adequações necessárias. O fabricante não será responsável por danos causados por operações realizadas por pessoas não autorizadas.

ADVERTÊNCIA: É responsabilidade do cliente preparar o local onde o produto será colocado e também preparar a instalação elétrica.

ADVERTÊNCIA: Devem ser seguidas as regras das normas locais sobre as instalações elétricas durante a instalação do produto.

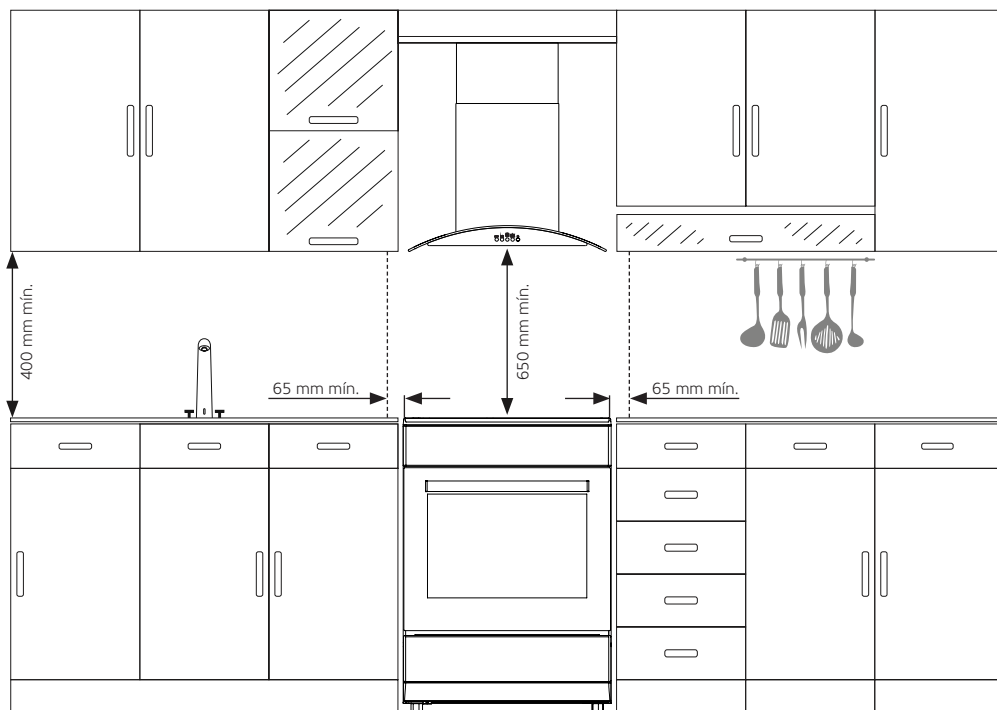
ADVERTÊNCIA: Verificar se há algum dano no dispositivo antes de o instalar. Não instalar o produto se estiver danificado. Produtos danificados causam riscos à sua segurança.

Local correto para instalação e advertências importantes

Os pés do aparelho não devem ficar sobre superfícies macias, como tapetes. O piso da cozinha deve ser durável para suportar o peso da unidade e de qualquer outro utensílio de cozinha que possa ser usado no forno.

O aparelho deve ser usado com uma folga mínima de 400 mm sobre as superfícies superiores do fogão e a 65 mm das superfícies laterais dentro de um móvel de cozinha.

O aparelho é adequado para uso em ambas as paredes laterais, sem qualquer suporte, ou sem ser instalado numa estrutura. Se for instalado um exaustor ou aspirador acima do fogão, seguir as instruções do fabricante para a altura da montagem. (mín. 650 mm)

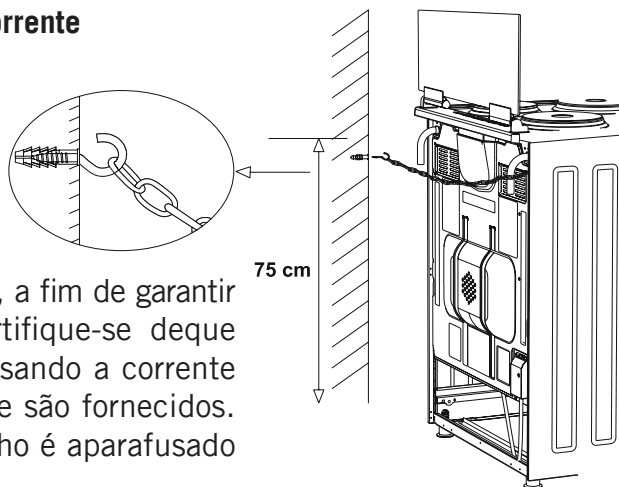


ADVERTÊNCIA: O mobiliário de cozinha perto do aparelho deve ser resistente ao calor.

ADVERTÊNCIA: Não instale o aparelho ao lado de frigoríficos ou refrigeradores. O calor irradiado pelo aparelho aumenta o consumo de energia dos dispositivos de refrigeração.

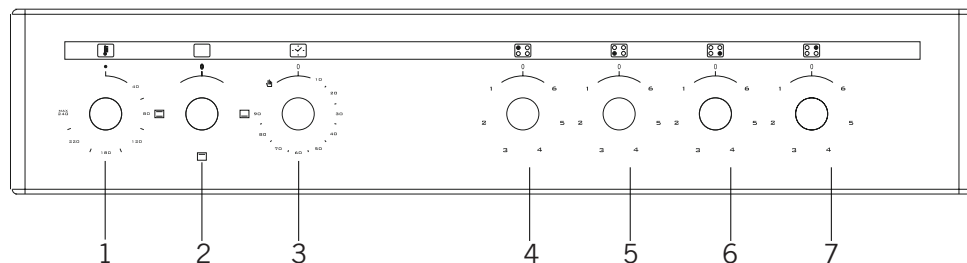
ADVERTÊNCIA: Não usar a porta e/ou a pega para transportar ou mover o aparelho.

Ilustração Da Fixação Da Corrente



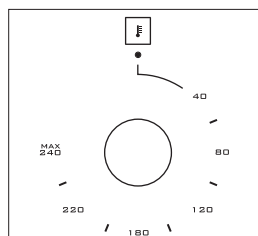
Antes de utilizar o aparelho, a fim de garantir uma utilização segura, certifique-se de que fixou o aparelho à parede usando a corrente e o parafuso em gancho que são fornecidos. Certifique-se de que o gancho é aparafusado à parede de forma segura.

PAINEL DE CONTROLO

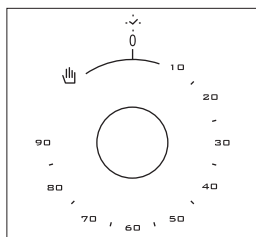


1. Termóstato
2. Botão de seleção de função
3. Temporizador mecânico *
4. Queimador elétrico traseiro esquerdo
5. Queimador elétrico frontal esquerdo
6. Queimador elétrico frontal direito
7. Queimador elétrico traseiro direito

ADVERTÊNCIA: O painel de controlo acima é apenas para fins de ilustração. Considerar o painel de controlo no seu dispositivo.



Termóstato: Usado para determinar a temperatura do prato a ser cozinhado no forno. Depois de colocar o alimento no interior do forno, rodar o interruptor para ajustar a definição da temperatura pretendida entre 40-240 °C. Para temperaturas de cozedura de alimentos diferentes, consultar a tabela de cozedura.



Temporizador mecânico*: Usado para determinar o período para cozinhar no forno. Quando o tempo ajustado terminar, a energia dos aquecedores é desligada e é emitido um sinal sonoro de aviso. O temporizador mecânico pode ser ajustado para o período pretendido entre 0-90 minutos. Para os períodos de cozedura, consultar as tabelas de cozedura.

USAR A SECÇÃO DO FORNO

Usar Os Elementos De Aquecimento Do Forno

1. Quando o forno funciona pela primeira vez, será espalhado um odor, que será originado pelo uso dos elementos de aquecimento. Para se livrar disto, ligá-lo a 240 °C durante 45 a 60 minutos enquanto estiver vazio.

2. O botão de controlo do forno deve ser posicionado no valor pretendido; caso contrário, o forno não funciona.

3. Tipos de refeições, tempos de cozedura e posições do termóstato são dadas na tabela de cozedura. Os valores indicados na tabela de cozedura são valores característicos e foram obtidos como resultado dos ensaios realizados no nosso laboratório. Pode encontrar diferentes sabores adequados ao seu gosto, dependendo dos seus hábitos culinários e de uso.

4. Pode fazer frango rotativamente no seu forno através dos acessórios.

5. Tempos de cozedura: Os resultados podem mudar de acordo com a tensão da zona e o material com qualidade, quantidade e temperaturas diferentes.

6. Enquanto a cozedura estiver a ser feita no forno, a tampa do forno não deve ser aberta com frequência. Caso contrário, a circulação do calor pode ser desequilibrada e os resultados podem alterar-se.

Usar O Grelhador

1. Quando colocar a grelha na prateleira superior, os alimentos na grelha não devem tocar na grelha.
2. Pode pré-aquecer durante 5 minutos enquanto grelhar. Se necessário, pode voltar os alimentos ao contrário.
3. Os alimentos devem estar no centro da grelha para fornecerem um fluxo máximo de ar através do forno.

Ligar o grelhador;

1. Colocar o botão de função sobre o símbolo do grelhador.
2. Em seguida, definir a temperatura do grelhador pretendida.

Desligar o grelhador;

Colocar o botão de função na posição desligado.

ADVERTÊNCIA: Manter a porta do forno fechada enquanto estiver a grelhar.
(Grelhador elétrico)

ADVERTÊNCIA: Manter a porta do forno aberta enquanto estiver a grelhar.
(Grelhador a gás)

Usar O Assador De Frango *

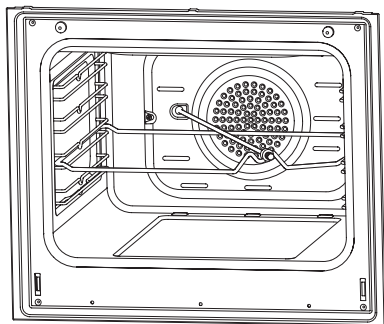


Figura 1

Colocar o espeto no suporte. Deslizar o espeto rotativo no forno no nível pretendido. Localizar uma caçarola no fundo para recolher a gordura. Adicione um pouco de água na caçarola para facilitar a limpeza. Não esquecer de retirar a parte de plástico do espeto. Depois de grelhar, enroscar a pega de plástico no espeto e retirar os alimentos do forno.

Usar A Secção Do Fogão

Usando e descrição de seção job for vitrocerâmica

	Nível 1	Nível 2	Nível 3	Nível 4	Nível 5	Nível 6	Nível 7	Nível 8	Nível 9	Max.
140 mm Comutador	130 W	206 W	350 W	500 W	850 W	1200 W	---	---	---	---
180 mm Comutador	180 W	470 W	790 W	850 W	1230 W	1700 W	---	---	---	---
180 mm Regulador	1800 W	1800 W	1800 W	1800 W	1800 W	1800 W	1800 W	1800 W	1800 W	---
140/250 mm	1000 W	1000 W	1000 W	1000 W	1000 W	1000 W	1000 W	1000 W	1000 W	1800 W
120/180 mm Dupla destaque	700 W	700 W	700 W	700 W	700 W	700 W	700 W	700 W	700 W	1700 W

1. Você opera a placa com os comutadores de anel no painel de controle do forno. Essa opção regula a energia, a fim de atingir a temperatura desejada definida por você.

2. A fim de ter um bom resultado de cozedura da placa, a parte inferior das placas deve ser mais espessa e plana quanto possível.

3. Bottom of panels e zonas de cozedura deve ser do mesmo tamanho. Se possível, coloque tampas nos recipientes. Alternar zonas de cozinhar antes do final do tempo de cozedura, para tirar vantagem do calor residual.

4. Rode o botão no sentido horário para começar a operar. Temperatura criada pela posição do botão na linha aumentando gradualmente até máx.

5. Por zona de cozedura dupla do primeiro anel operar como uma única zona; segundo anel começa a funcionar depois de ligar extra, mais um pouco de força no sentido horário no “max” fim região do sinal do anel. Quando você gira para a esquerda, o primeiro toque funcionará como o alcance máximo e a potência do segundo anel vai reduzir até você desejar temperatura.

Usar Placas De Aquecimento

	Nível 1	Nível 2	Nível 3	Nível 4	Nível 5	Nível 6
80 mm	200 W	250 W	450 W	---	---	---
145 mm	250 W	750 W	1000 W	---	---	---
180 mm	500 W	750 W	1500 W	---	---	---
145 mm rápido	500 W	1000 W	1500 W	---	---	---
180 mm rápido	850 W	1150 W	2000 W	---	---	---
145 mm	95 W	155 W	250 W	400 W	750 W	1000 W
180 mm	115 W	175 W	250 W	600 W	850 W	1500 W
145 mm rápido	135 W	165 W	250 W	500 W	750 W	1500 W
180 mm rápido	175 W	220 W	300 W	850 W	1150 W	2000 W
220 mm	220 W	350 W	560 W	910 W	1460 W	2000 W

1. As placas de aquecimento elétricas têm padrão de 6 níveis de temperatura. (como descrito aqui acima)

2. Ao usar pela primeira vez, ligar a sua placa elétrica na posição 6 durante 5 minutos. Isto fará com que o agente na sua placa de aquecimento, que é sensível ao calor, seja endurecido pela queima.

3. Usar panelas de fundo plano que contactam plenamente com o calor, tanto quanto possível, para poder usar a energia de forma mais produtiva.



Correct



Incorreto

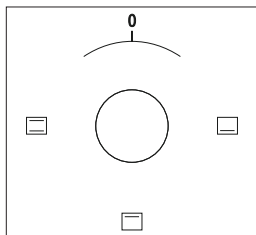


Incorreto

















Incorreto

TIPOS DE PROGRAMA



Botão de função: Usado para determinar os aquecedores que serão usados para cozinhar o prato a ser cozinhado no forno. Os tipos de programa do aquecedor neste botão e as suas funções são descritos abaixo. Todos os tipos de aquecedores e tipos de programa compostos por esses aquecedores podem não estar disponíveis em todos os modelos.

	Espeto rotativo		Ventoinha
	Elementos de aquecimento inferior e superior		Ventoinha e aquecedor turbo
	Lâmpada		Ventoinha e elemento de aquecimento superior-inferior
	Ventoinha e elemento de aquecimento inferior		Grelhador e ventoinha
	Elemento de aquecimento do grelhador		Grelhador
	Grelhador e lâmpada		Elemento de aquecimento superior
	Temporizador		Elemento de aquecimento inferior

ADVERTÊNCIA: Todos os tipos de aquecedores e tipos de programa compostos por esses aquecedores podem não estar disponíveis em todos os modelos.

TABELA DE TEMPO DE COZEDURA

AVISO: O forno deve ser pré-aquecido por 10 minutos antes de se introduzir o alimento.

Refeições	Função De Cozedura	Temperatura (°C)	Posição Da Prateleira	Tempo (Min.)
Bolo	Estático / Estático+Ventilador	170-180	2	35-45
Pequenos bolos	Estático/ Turbo+Ventilador	170-180	2	25-30
Empada	Estático / Estático+Ventilador	180-200	2	35-45
Pastelaria	Estático	180-190	2	25-30
Bolinhos	Estático	170-180	3	20-25
Tarte de maçã	Estático / Turbo+Ventilador	180-190	2	50-70
Pão de Ló	Estático	200/150 *	2	20-25
Pizza	Estático+Ventilador	180-200	3	20-30
Lasagna	Estático	180-200	2	25-40
Merengue	Estático	100	2	60
Frango	Estático+Ventilador / Turbo+Venti.	180-190	2	45-50
Frango grelhado **	Grade	200-220	4	25-30
Peixe grelhado **	Grade+Ventilador	200-220	4	25-30
Filé mignon **	Grade+Ventilador	Max.	4	15-20
Almôndega **	Grade	Max.	4	20-25

* Sem pré-aquecimento Metade da cozedura deve ser a 200 °C e, em seguida, a segunda metade deve ser de 150 °C.

** Durante a metade da cozedura, a refeição deve ser voltada.

MANUTENÇÃO E LIMPEZA

1. Desligar da tomada a ficha que fornece eletricidade ao forno.
2. Enquanto o forno estiver a funcionar ou pouco depois de começar a funcionar, fica extremamente quente. Deve evitar tocar nos elementos de aquecimento.
3. Nunca limpar a parte interior, o painel, a tampa, os tabuleiros e todas as outras partes do forno com ferramentas como escova dura, malha de limpeza ou faca. Não usar produtos de limpeza ou detergentes abrasivos.
4. Depois de limpar as partes interiores do forno com um pano com sabão, lavá-lo e secá-lo bem com um pano macio.
5. Limpar as superfícies de vidro com substâncias de limpeza de vidro especiais.
6. Não limpar o seu forno com equipamentos de limpeza a vapor.
7. Antes de abrir a tampa superior do forno, limpar o líquido derramado para fora da tampa. Além disso, antes de fechar a tampa, assegurar que a mesa do fogão está suficientemente fria.
8. Nunca usar agentes inflamáveis como ácido, diluente e gasolina ao limpar o seu forno.
9. Não lavar qualquer peça do seu forno na máquina de lavar loiça.
10. Para limpar a tampa frontal do vidro do forno; Retirar os parafusos de fixação que fixam o manípulo com uma chave de fendas e retirar a porta do forno. Em seguida, limpar e enxaguar bem. Depois de secar, colocar o vidro do forno corretamente e voltar a instalar a pega.

Montagem Da Porta Do Forno

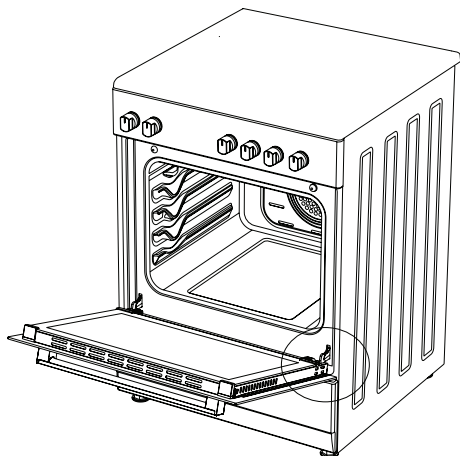


Figura 2

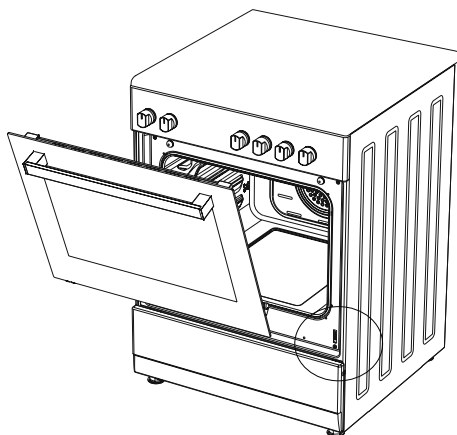


Figura 3

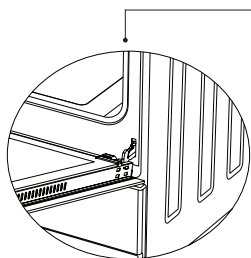


Figura 2.1

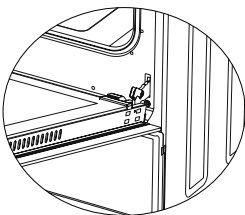


Figura 2.2

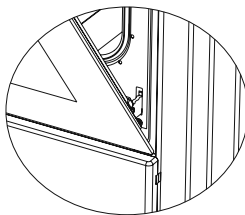


Figura 3.1

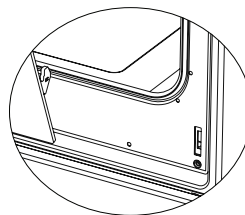


Figura 3.2

Puxe a porta do forno para si e abra a completamente. Em seguida, puxe a fechadura em dobradiça para cima, conforme mostrado na **Figura 2.1**, usando uma chave de fendas e abra a fechadura.

Rode a fechadura em dobradiça para o seu ângulo mais amplo, como mostra a **Figura 2.2**. Coloque ambas as dobradiças da porta do forno na mesma posição.

Em seguida, feche a porta do forno até que ela assente sobre a fechadura em dobradiça, conforme mostra a **Figura 3.1**.

Para remover a porta do forno, puxe a porta para cima usando as duas mãos, como mostra a **Figura 3.2** quando a porta atingir uma posição perto da posição fechada.

Para recolocar a porta do forno na posição, siga os passos acima na ordem inversa.

Limpeza E Manutenção Da Porta De Vidro Na Frente Do Forno

Remova o perfil pressionando as patilhas de plástico dos lados esquerdo e direito, como mostra a figura 4 e puxando o perfil para si, como pode ver na figura 5. Em seguida, retire o vidro interior conforme se vê na figura 6. Se necessário, o vidro do meio pode ser removido da mesma forma. Após a conclusão da limpeza e manutenção, volte a montar o vidro e o perfil pela ordem inversa. Certifique-se de que o perfil está devidamente colocado no seu lugar.

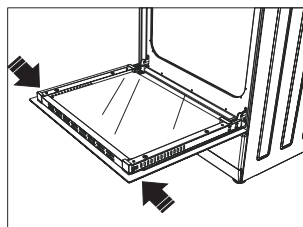


Figura 4

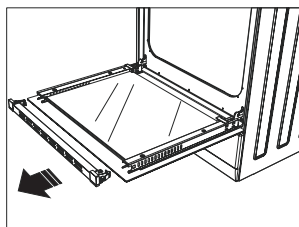


Figura 5

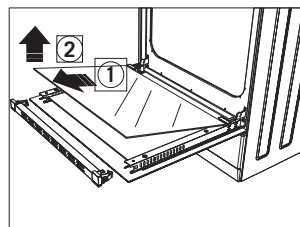


Figura 6

Paredes Catalíticas *

As paredes catalíticas estão localizadas à esquerda e à direita da cavidade sob as guias. As paredes catalíticas erradicam o mau cheiro e obtêm o melhor desempenho do fogão. As paredes catalíticas também absorvem os resíduos de óleo e limpam o seu fogão enquanto ele está a funcionar.

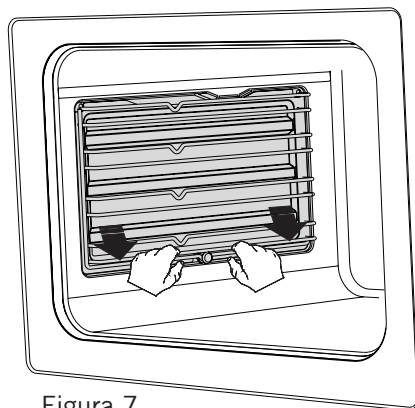
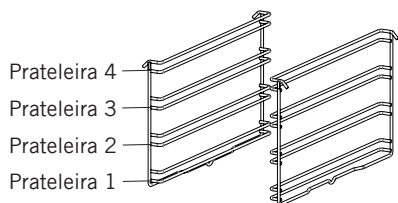


Figura 7

Remover as paredes catalíticas

Para remover as paredes catalíticas, as guias têm de ser puxadas para fora. Assim que as guias são puxadas para fora, as paredes catalíticas são soltas automaticamente. As paredes catalíticas têm de ser mudadas ao fim de 2-3 anos.

Posições Da Grelha



É importante colocar corretamente a grelha de arame no forno. Não permitir que a grelha entre em contacto com a parede traseira do forno. As posições da grelha são mostradas na figura seguinte. Pode colocar um tabuleiro fundo ou um tabuleiro normal nas grelhas de arame inferior e superior.

Instalar e retirar as grelhas de arame

Para retirar as grelhas de arame, premir os cliques mostrados com setas na figura, retirar primeiro o lado inferior e depois o superior do local de instalação. Para instalar grelhas de arame; inverter o procedimento para a remoção das grelhas de arame.

Substituição Da Lâmpada Do Forno

AVISO: Para evitar choques eléctricos, certifique-se que o circuito do aparelho está aberto antes de trocar a lâmpada. (o circuito aberto significa que a energia está desligada)

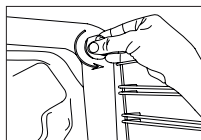
Primeiro, desligue a alimentação do aparelho e certifique-se que o mesmo está arrefecido.

Remova o vidro de proteção rodando conforme indicado na figura do lado esquerdo. Se tiver dificuldades para o rodar, utilize luvas de plástico para a ajudar na tarefa.

Em seguida, remova a lâmpada rodando, instale a lâmpada nova com as mesmas especificações.

Reinstale a proteção do vidro, ligue o cabo de alimentação do aparelho à tomada eléctrica e conclua a substituição. Agora pode utilizar o seu forno.

Lâmpada Tipo G9



220-240 V, AC
15-25 W

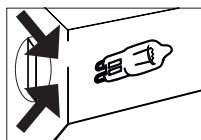


Figura 8

Lâmpada Tipo E14



220-240 V, AC
15 W



Figura 9

Usar A Chapa Defletora Do Grelhador *

1. Um painel de segurança é projetado para proteger o painel de controlo e os botões quando o forno estiver no modo de grelhador. (figura 10)

2. Deve usar este painel de segurança para evitar que o calor danifique o painel de controlo e os botões quando o forno estiver no modo de grelhador.

ADVERTÊNCIA: As partes acessíveis podem ficar quentes quando o grelhador é usado. Manter as crianças afastadas.

3. Colocar o painel de segurança sob o painel de controlo abrindo o vidro da tampa frontal do forno. (figura 11)

4. Em seguida, fixar o painel de segurança entre o forno e a tampa frontal, fechando suavemente a tampa. (figura 12)

5. É importante para cozinhar que mantenha a tampa aberta na distância especificada quando cozinhar em modo de grelhador.

6. O painel de segurança fornecerá uma condição ideal para cozinhar, protegendo o painel de controlo e os botões.

ADVERTÊNCIA: Se o fogão tiver a opção “**Grelhador fechado funcionou**” com termóstato, pode manter a porta do forno fechada durante o funcionamento; neste caso, a chapa defletora do grelhador será desnecessária.

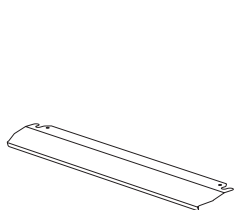


Figura 10

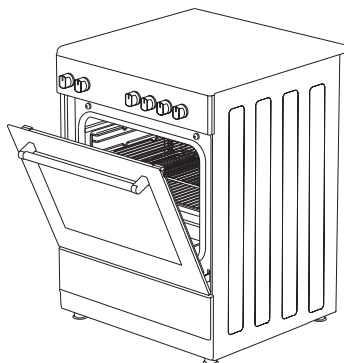


Figura 11

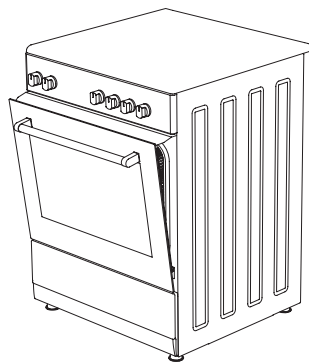


Figura 12

RESOLUÇÃO DE PROBLEMAS

Pode resolver os problemas que pode encontrar no seu produto verificando os seguintes pontos antes de chamar a assistência técnica.

Pontos de verificação

Caso tenha algum problema com o forno, verificar primeiro a tabela abaixo e experimentar as sugestões.

Problema	Causa Possível	O que fazer
O forno não funciona.	Fonte de alimentação não disponível.	Verificar o fornecimento de energia
O forno para durante a cozedura.	A ficha sai da tomada da parede.	Voltar a instalar a ficha na tomada de parede.
Desliga-se durante a cozedura.	Funcionamento contínuo durante muito tempo.	Deixar o forno arrefecer após longos ciclos de cozedura.
	Mais do que uma ficha numa tomada de parede.	Usar apenas uma ficha para cada tomada de parede.
A porta do forno não está a abrir adequadamente.	Resíduos alimentares presos entre a porta e a cavidade interior.	Limpar bem o forno e tentar voltar a abrir a porta.
Choque elétrico quando tocar no forno.	Ligação à terra não adequada.	Assegurar que a alimentação está ligada à terra adequadamente.
	Está a ser usada tomada de parede sem ligação à terra.	
Está a pingar água.	Sob certas condições, pode ser gerada água ou vapor, dependendo do alimento a ser cozinhado. Isto não é uma avaria do aparelho.	Deixar o forno arrefecer e, em seguida, secar com um pano da loiça.
Vapor a sair de uma fissura na porta do forno.		
Água existente no interior do forno.		

Problema	Causa Possível	O que fazer
Fum a sair durante o funcionamento	Quando o forno funcionar pela primeira vez.	Fumo sai dos aquecedores. Isto não é uma avaria. Após 2-3 ciclos já não haverá fumo.
	Alimento no aquecedor.	Deixar o forno arrefecer e limpar resíduos de alimentos do aquecedor.
Quando o forno está em funcionamento sai cheiro a queimado ou a plástico	Estão a ser usados dentro do forno acessórios de plástico ou outros não resistentes ao calor.	Com temperaturas elevadas, utilizar os acessórios em vidro adequados
Forno não aquece.	Porta do forno está aberta.	Fechar a porta e reiniciar.
	Controlos do forno não estão ajustados corretamente.	Ler a secção referente ao funcionamento do forno e reiniciar o forno.
	O fusível disparou ou o corta-circuitos desligou-se.	Substituir o fusível ou reiniciar o disjuntor. Se isto se repetir frequentemente, ligar a um electricista.
O forno não cozinha bem.	A porta do forno é aberta frequentemente durante a cozedura.	Não abrir frequentemente a porta do forno se o alimento que estiver a cozinhar não precisar de ser rodado. Se abrir a porta frequentemente a temperatura interior cai e conseqüentemente o resultado da cozedura será influenciado.
A luz interior está fraca ou não funciona.	Objeto estranho que cobre a lâmpada durante a cozedura.	Limpar a superfície interior do forno e verificar novamente.
	A lâmpada pode estar fundida.	Substituir por uma lâmpada com as mesmas especificações.

REGRAS DE MANUSEAMENTO

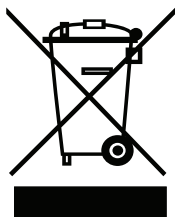
1. Não usar a porta e/ou a pega para transportar ou mover o aparelho.
2. Realizar a movimentação e transporte na embalagem original.
3. Prestar muita atenção ao aparelho durante o carregamento/descarregamento e manuseio.
4. Assegurar que a embalagem está firmemente fechada durante o manuseio e transporte.
5. Proteger de fatores externos (tais como humidade, água, etc.) que possam danificar a embalagem.
6. Ter cuidado para não danificar o aparelho devido a colisões, choques, quedas, etc. durante o manuseio e transporte e para não o partir ou deformar durante a operação.

RECOMENDAÇÕES DE EFICIÊNCIA ENERGÉTICA

Os seguintes detalhes irão ajudar a utilizar o produto ecológica e economicamente.

1. Usar recipientes de cor escura e esmalte que conduzam melhor o calor no forno.
2. Ao cozinhar os seus alimentos, se a receita ou o manual do utilizador indicar que o pré-aquecimento é necessário, pré-aqueça o forno.
3. Não abrir frequentemente a porta do forno enquanto cozinhar.
4. Tentar não cozinhar simultaneamente vários pratos no forno. Pode cozinhar ao mesmo tempo colocando dois tabuleiros na grelha de arame.
5. Cozinhar vários pratos sucessivamente. O forno não perderá calor.
6. Desligar o forno alguns minutos antes de terminar o tempo de cozedura. Neste caso, não abrir a porta do forno.
7. Descongelar os alimentos congelados antes de cozinhar.

ELIMINAÇÃO AMIGA DO AMBIENTE



Elimine a embalagem em condições amigas do ambiente Este aparelho está etiquetado de acordo com a Diretiva Europeia 2012/19/UE relativa a aparelhos elétricos e eletrónicos usados (Resíduos de Equipamentos Elétricos e eletrónicos REEE). As orientações determinam o enquadramento para a devolução e reciclagem de aparelhos elétricos aplicável em toda a UE.

INFORMAÇÃO SOBRE A EMBALAGEM

Os materiais de embalagem do produto são fabricados a partir de materiais recicláveis, de acordo com as nossas Normas Ambientais Nacionais. Não elimine os materiais de embalagem junto com o lixo doméstico ou outros. Leve-os aos pontos de recolha de material de embalagem indicados pelas autoridades locais.