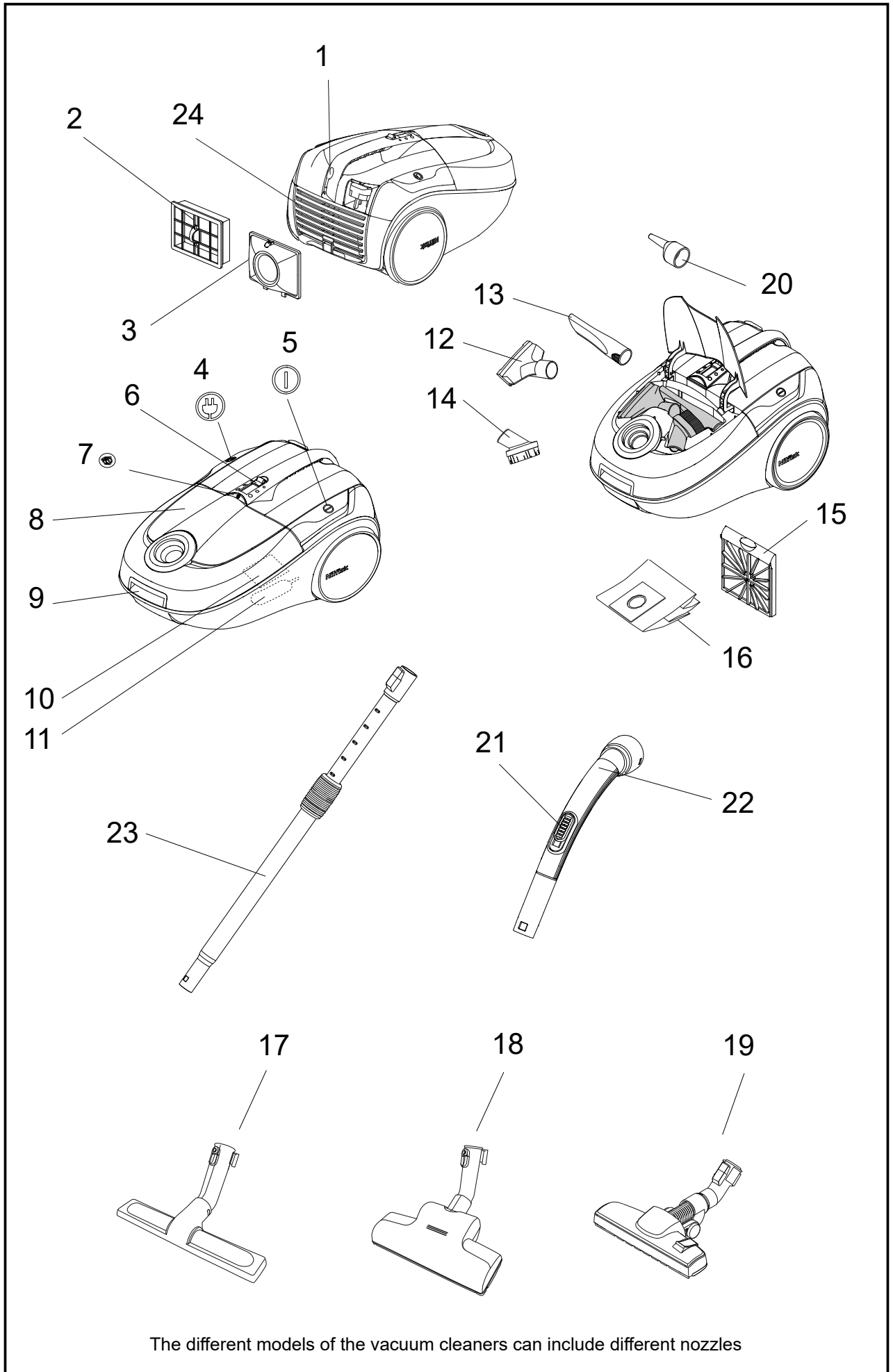


Bravo

Instructions for use





Welcome!

Thank you for choosing the
Nilfisk Bravo vacuum cleaner

Overview

- 1 Parking bracket
- 2 EPA filter
- 3 Blow function lid
- 4 Cable rewinder
- 5 On/off button
- 6 Power level
- 7 Dust bag indicator, mechanical
- 8 Accessory lid
- 9 Open/close button, dust container
- 10 Rating plate
- 11 Parking bracket
- 12 Upholstery nozzle
- 13 Crevice nozzle
- 14 Brush nozzle
- 15 Prefilter
- 16 Dust bag
- 17 Hard floor nozzle
(not standard)
- 18 Turbo nozzle
- 19 Power combination nozzle
- 20 Blow function nozzle
- 21 Sliding valve
- 22 Bent tube
- 23 Extension tube
- 24 Exhaust grill

Table of contents

Overview	6
Safety instructions	7
Instructions for use	8
Cleaning tips	11
Trouble shooting	11
Service and maintenance etc.	12
Guarantee and service	12
Declaration of conformity	14
Technical specifications	15

Safety instructions

- Do not use the machine without dust bag and filters properly fitted.
- This machine is not intended for the suction of hazardous materials or gas, doing so may expose people to serious health risks.
- The machine must not be used for the suction of water or other liquids.
- Do not pick up sharp objects such as needles or pieces of glass.
- Do not pick up anything that is burning or smoking such as cigarettes, matches or hot ashes.
- Use and store this machine indoors and in a dry environment, 0 °C to 60 °C.
- Do not use the machine outdoors.
- Do not handle the machine with wet hands.
- Turn off the machine before unplugging.
- To unplug, grasp the plug, not by pulling the cord. Do not carry or pull the machine by the cord.
- The machine must not be used if the cord shows any sign of damage. Regularly inspect the cord for damage, in particular if it has been crushed, shut in a door or run over.
- Do not use the machine if it appears faulty. Have the machine inspected by an authorized service center if the machine has been dropped, damaged, left outdoors or has been exposed to water.
- No changes or modifications to the mechanical or electrical safety devices should be made.
- All repairs must be carried out by an authorized service center.
- Use only original dust bags, original filters and original accessories from your local dealer. Use of unauthorized dust bags and filters will void the warranty.
- Turn off the machine and unplug before starting dust bag or

filter change, grasp the plug, not by pulling on the cord.

- This appliance can be used by children aged from 8 years and above and persons with reduced physical, sensory or mental capabilities or lack of experience and knowledge if they have been given supervision or instruction concerning use of the appliance in a safe way and understand the hazards involved.
- Children shall be supervised to make sure that they do not play with the appliance.
- Cleaning and user maintenance shall not be made by children without supervision.
- If the supply cord is damaged, it must be replaced by the manufacturer or its service agent or similar qualified person in order to avoid a hazard.

Instructions for use

Before using the machine make sure that the voltage shown on the rating plate underneath the machine corresponds with the mains voltage. The machine is supplied with dust bag, prefilter and EPA filter.

Start and stop

Start


Pull out the cord and plug the machine to a wall socket.

Press the On/off button.

Stop

Turn off the machine and unplug. Unplug by grasping the plug, not by pulling on the cord.

WARNING

 When activating the automatic cord rewind, care must be taken as the plug at the end of the cord can swing during the last part of the rewinding. It is recommended that you hold on to the plug while rewinding.

1 Connecting hose, tube and nozzles

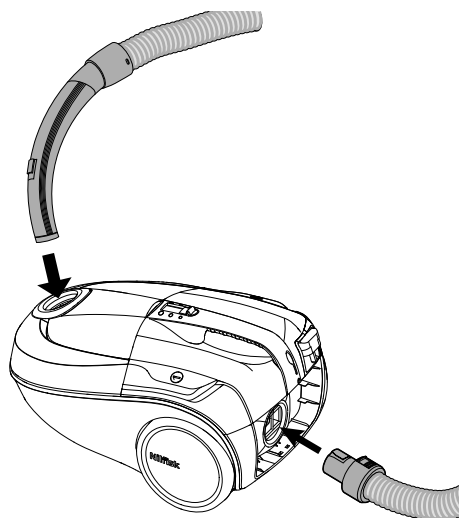
1. Insert the hose connector into the suction inlet.
2. Connect the bent tube to the tube.
3. Connect the tube to the nozzle.
4. The tube is telescopic and can be adjusted to your height. Push the adjusting button to extend the tube, and pull back to shorten, to desired length.

2 Blow function

1. Open the lid (exhaust grill 25) on the back of the machine.
2. Insert the hose connector into the blow outlet.

Caution:

To avoid leftover dust in the hose to be blown out into the room, insert the bent end into the hose inlet of the machine for a few seconds after turning on the blow function.



During use of the blow function, the vacuum cleaner may get warm and the thermal fuse, which prevents the machine from overheating, may switch off the vacuum cleaner. The machine must cool before it can be started again.

Change of dust bag and filters

The size and quality of the dust bag and filters affect the machine efficiency. Use of non original dust bags or non original filters can cause restricted air flow which may lead to machine overload. Using non-original dust bag or filters will void the warranty.

3 Changing the dust bag

The dust bag must be changed if the lamp is constantly on when the machine is operating at maximum power and the nozzle is raised from the floor. Always use original dust bags.

1. Release the hose connection from the suction inlet.
2. Open the lid by pushing the button.

3. Remove the dust bag.
4. Insert the new dust bag by guiding the cardboard into the tracks and push it down.
5. Unfold the new dust bag carefully. Check that the dust bag is correctly fitted.
6. Close the lid.
7. Insert the hose connection into the suction inlet.

4 Changing the prefilter

The prefilter protects the motor by absorbing micro-particles that the dust bag can not keep. Change the prefilter with every fifth dust bag. The prefilter is located behind the dust bag. Always use original filters.

1. Release the hose connection from the suction inlet.
2. Open the lid by pushing the button.
3. Remove the dust bag.
4. Take out the filter holder with prefilter.
5. Open the filter holder.
6. Take out the prefilter.
7. Fit the new prefilter. Check that the prefilter is correctly fitted in the holder.
8. Put the filter holder into the track and push in place.
9. Insert the new dust bag by guiding the cardboard into the track and push it down.
10. Unfold the new dust bag carefully. Check that the dust bag is correctly fitted.
11. Close the lid.
12. Insert the hose connection into the suction inlet.

5 Changing the EPA filter

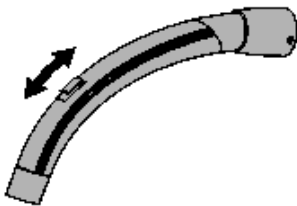
The EPA filter cleans the exhaust air from micro particles the dust bag can not keep. The EPA filter can not be brushed or washed clean.

1. Open the lid on the machine in the back.
2. Remove the blow function lid.
3. Take out the EPA filter.
4. Insert the new EPA filter. Check that the EPA filter is correctly fitted.
5. Put the blow function lid back.
6. Put the lid back and close.

Adjust the suction power

Sliding valve on the bent tube

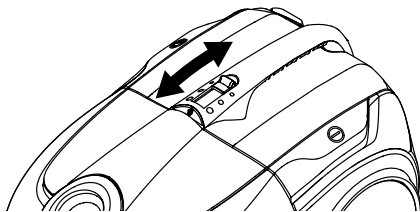
The suction power is maximal with the sliding valve closed and minimal when all open. Adjust the suction power by putting the sliding valve in the desired position.



Power regulation

The suction power is adjusted on the power regulator.

Tip: Adjust smaller suction power to reduce noise and pull force.



6 Parking the tube and nozzle

There are two grooves for parking. One located on the underside to use when machine stands on the back,

and the other on the back to use when the machine is standing on its wheels.

Thermal fuse

The machine is fitted with a thermal fuse, which prevents the machine from overheating. If the thermal fuse blows, the machine automatically switches off the motor and must cool before it can be started again.

Restart

1. Turn off the machine and unplug from the wall socket.
2. See to that nothing blocks the air flow through the bent tube, hose, tube, nozzle, dust bag or filters.
3. Let the machine cool.
4. Plug in the machine again and push the start button. The machine will not start until cool enough. If the machine does not start turn it off and unplug. Try again in a while.

Cleaning tips

Adjust the suction power by means of the power regulation or the sliding valve on the bent tube.

7 Crevice nozzle

Use the crevice nozzle for narrow spaces.

8 Upholstery nozzle

Use the upholstery nozzle for upholstered furniture.

9 Brush nozzle

Use the brush nozzle for curtains and window sills.

10 Hard floor nozzle

Use the nozzle for hard floors.

11 Power combi nozzle

Adjust the power combi nozzle depending on type of floor.

12 Turbo nozzle

Use the turbo nozzle for efficient carpet cleaning.

13 Blow function nozzle

Use the blow function nozzle to inflate e.g. an air mattress.

The models can include different nozzles.

Trouble shooting

Repair or service of electrical components such as cord or motor, must only be carried out by an authorized service center.

If the machine does not start	Check that the plug is correctly fitted to the wall socket.
	A fuse in the building may have blown and need to be changed.
	The cord or plug may be damaged and must be repaired by an authorized service center.
Reduced suction power	The dust bag may be full and needs to be changed, see instructions.
	The prefilter or EPA filter may be blocked and have to be changed, see instructions.
	The bent tube, hose, tube or nozzle may be blocked and needs to be cleaned.
If the machine stops	The thermal fuse may have blown, see instructions.

Service and maintenance

- Store the machine indoors and in a dry environment.
- Change the prefilter with every fourth dust bag.
- Clean the machine surface with a dry cloth or a damp cloth with a little cleaning agent.
- Order original accessories from a local dealer.
- Service – contact your local dealer.

Recycling and scrapping

Recycle the wrapping and scrap the machine according to recommendations from the local authorities.

Cut the cord as short as possible to avoid someone getting injured on the scrapped machine.

Environmental commitment

This machine is designed with the environment in mind. All plastic parts due marked for recycling.

Responsibility

Nilfisk disclaim all responsibility for all damage caused by incorrect use or modification of the machine.

Guarantee

The warranty can vary between different countries. Contact your local dealer for information.

Guarantee and service

This Nilfisk Bravo vacuum cleaner is covered by a two (2) year guarantee on the machine, which covers the motor, cable rewriter, switch and casing. The nozzles, filters, hoses, tubes and other accessories are covered twelve months due to manufacturing fault only and excludes wear and tear. The guarantee includes spare parts and labour costs, and covers manufacturing and material defects that may occur during normal domestic use.

Service under the guarantee will only be performed if it can be proven that the defect occurred within the product's guarantee period (a correctly completed guarantee certificate or printed/stamped cash register receipt with date and product type) and on the condition that the vacuum cleaner was bought as a new product and distributed by Nilfisk.

In the event of the repair of defects, the customer must contact Nilfisk to be directed to a service agent at the customer's own expense.

Upon completion of any repairs necessary, the vacuum cleaner will be returned to the customer at the risk and expense of Nilfisk.

Addendum Australia:

Our goods come with guarantees that cannot be excluded under the Australian Consumer Law. You are entitled to a replacement or refund for a major failure and for compensation for any other reasonably foreseeable loss or damage. You are also entitled to have the goods repaired or replaced if the goods fail to be of acceptable quality and the failure does not amount to a major failure.

Nilfisk vacuum cleaners for domestic use are warranted for 2 years from the date of purchase by:

Nilfisk Pty Ltd
Unit 1/13 Bessemer Street

Blacktown NSW 2148

Phone: 1300 556 710

E-mail: warranty@nilfisk.com.au

Find your local service agent here:

<http://www.nilfisk.com.au>.

The benefits under this warranty are in addition to your national law of sale.

The guarantee does not cover:

- Normal wear and tear of accessories and filters.
- Defects or damage occurring as a direct or indirect result of incorrect use - such as the vacuuming of rubble, hot ashes or carpet deodorant powder.
- Abuse, loss or lack of maintenance as described in *Instructions for use*.
- If the machine has been used for home renovations.
- If the machine has been used for suction of water, plaster dust or sawdust.


Nor will it cover incorrect or poor configuration, i.e. setting up or connection, nor fire-damage, fire, lightning strike or unusual voltage fluctuations or any other electrical disturbances such as defective fuses or defective electrical installations on the supply grid, and defects or damage in general that Nilfisk consider to be the result of causes other than manufacturing and material defects.

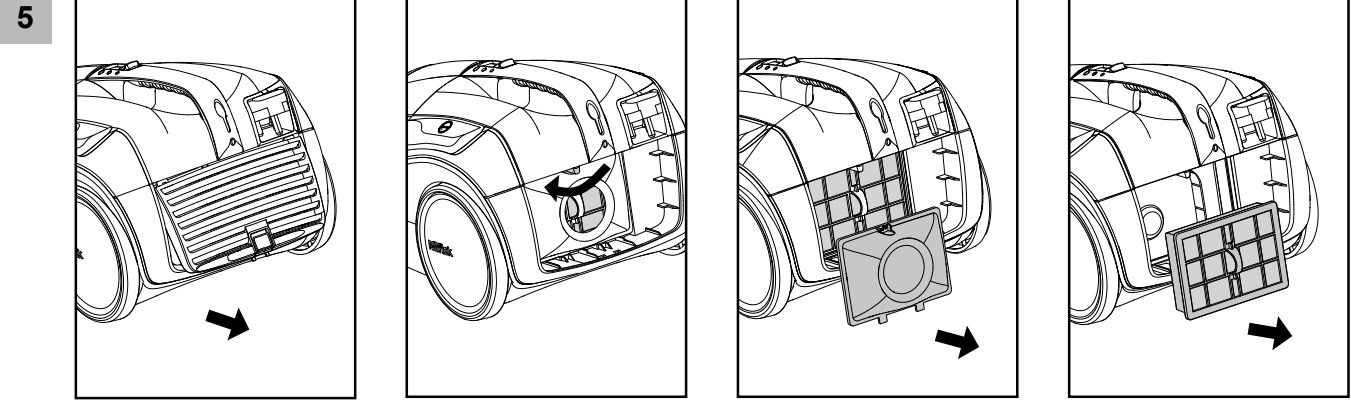
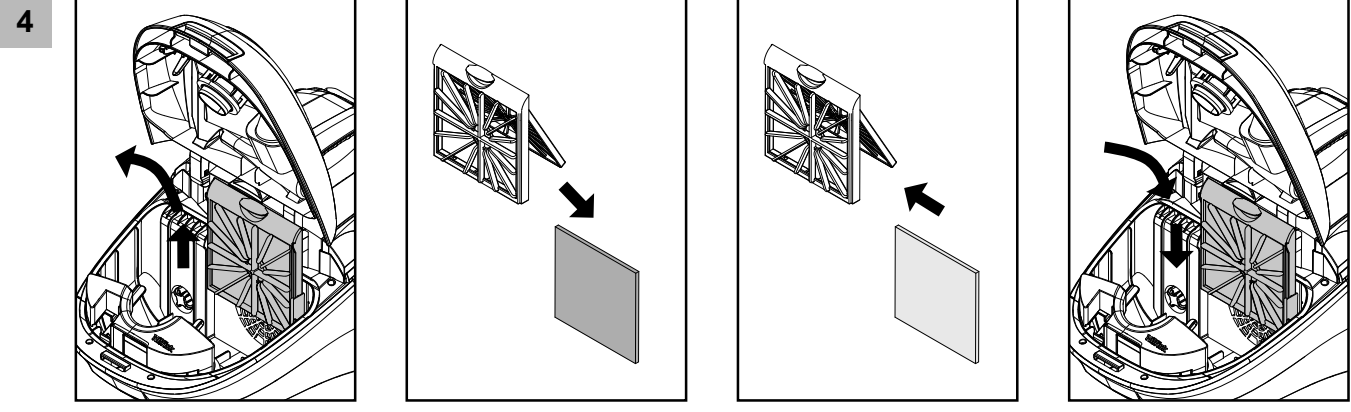
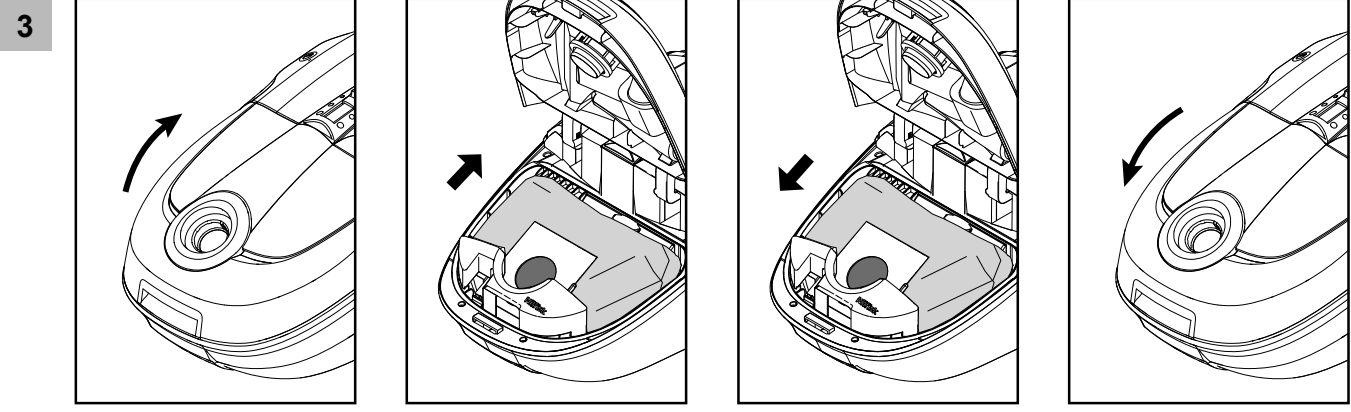
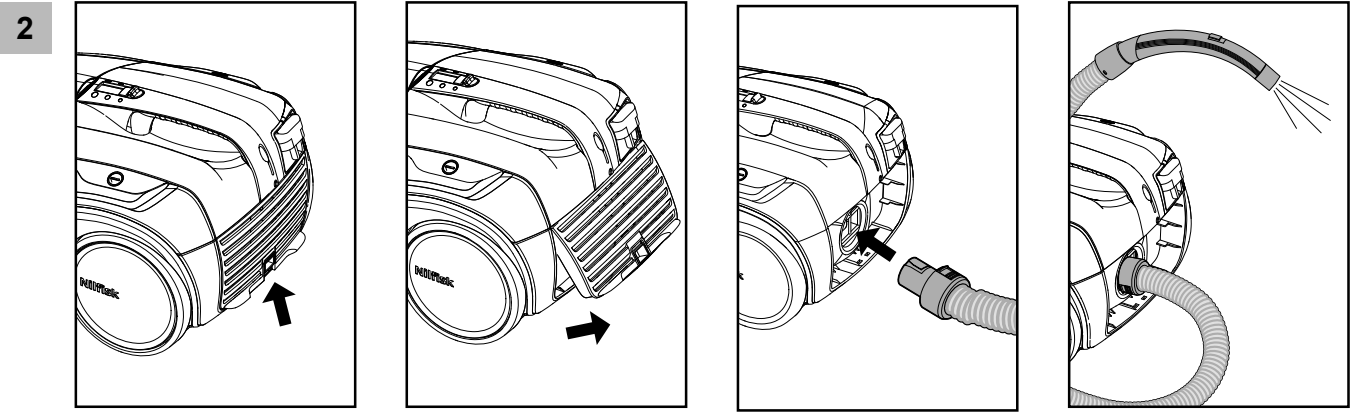
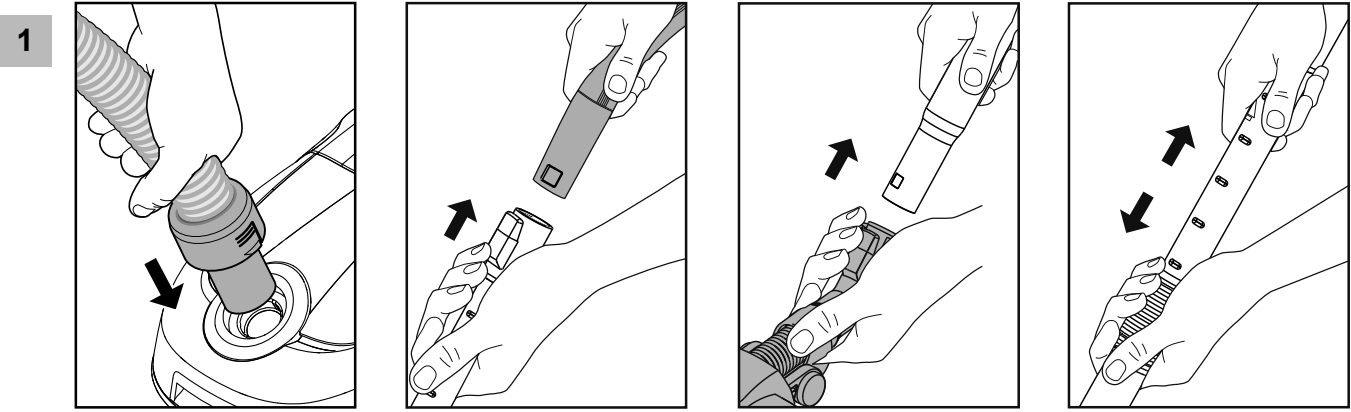
The guarantee becomes void:

- If a defect is caused by the use of non-original Nilfisk dust bags and filters.
- If the identity number is removed from the vacuum cleaner.
- If the vacuum cleaner has been repaired by a non-Nilfisk authorized dealer.
- If the machine is used in a commercial environment, i.e. building contractors, cleaning contractors, professional trades or any other non-domestic usage.

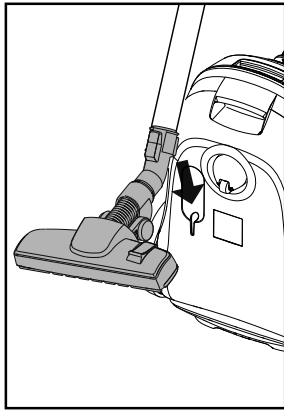
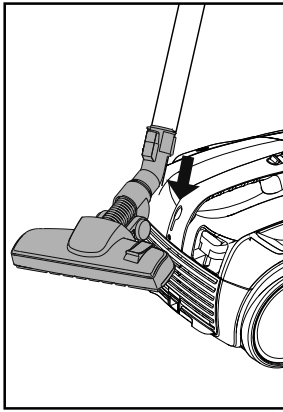
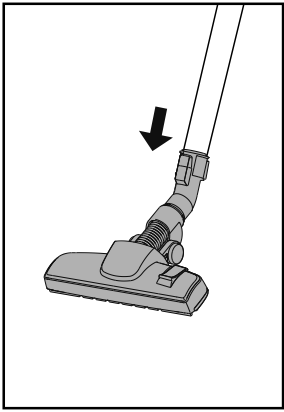
WEEE - Waste of Electric and Electronic Equipment



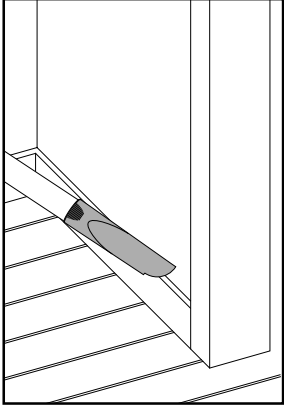
The symbol  on the product or on its packing indicates that this product may not be treated as household waste. Instead it shall be handed over to the applicable collection point for the recycling of electrical and electronic equipment. By ensuring this product is disposed of correctly, you will help prevent potential negative consequences for the environment and human health, which could otherwise be caused by inappropriate waste handling of this product. For more detailed information about recycling of this product, please contact your local city office, your household waste disposal service or the shop where you purchased the product.



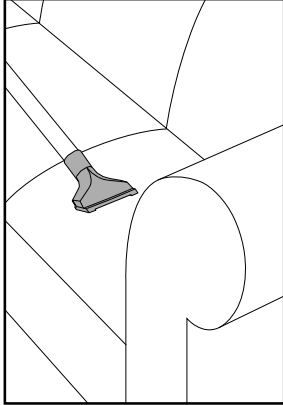
6



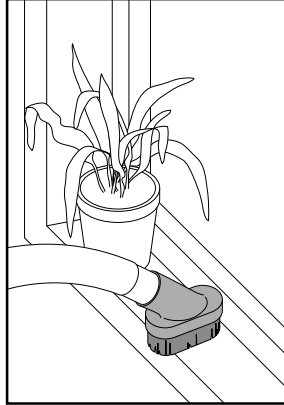
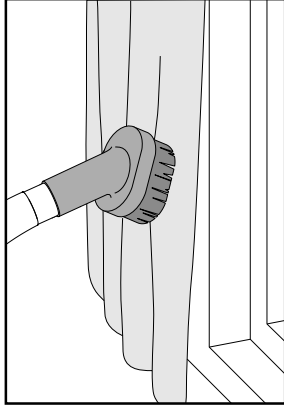
7



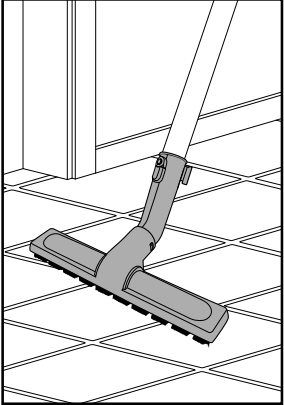
8



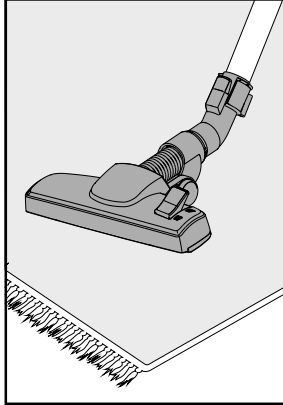
9



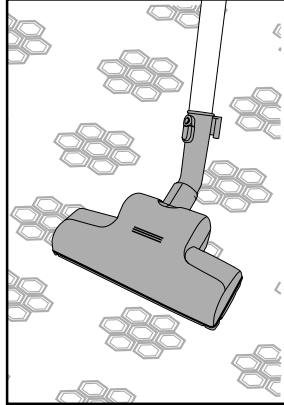
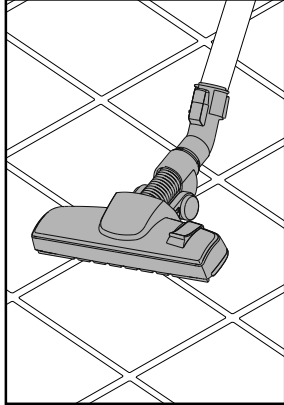
10



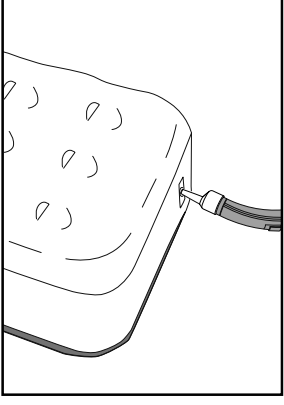
11



12



13





HEAD QUARTER

DENMARK

Nilfisk A/S
Kornmarksvej 1
DK-2605 Brøndby
Tel.: (+45) 4323 8100
Website: www.nilfisk.com

SALES COMPANIES

ARGENTINA

Nilfisk srl
Edificio Central Park
Herrera 1855, 6th floor/604
Ciudad de Buenos Aires
Tel.: (+54) 11 6091 1571
Website: www.consumer.nilfisk.com.ar

AUSTRALIA

Nilfisk Pty Ltd
Unit 1/13 Bessemer Street
Blacktown NSW 2148
Tel.: (+61) 2 98348100
Website: www.consumer.nilfisk.com.au

AUSTRIA

Nilfisk GmbH
Metzgerstrasse 68
5101 Bergheim bei Salzburg
Tel.: (+43) 662 456 400 90
Website: www.nilfisk.at

BELGIUM

Nilfisk n.v.s.a.
Riverside Business Park
Boulevard Internationaaleaan 55
Bâtiment C3/C4 Gebouw
Bruxelles 1070
Tel.: (+32) 24 67 60 50
Website: www.consumer.nilfisk.be

Brazil

Nilfisk do Brasil
Av. Eng. Luis Carlos Berrini, 550
40 Andar, Sala 03
SP - 04571-000 Sao Paulo
Tel.: (+11) 3959-0300 / 3945-4744
Website: www.nilfisk.com.br

CANADA

Nilfisk Canada Company
240 Superior Boulevard
Mississauga, Ontario L5T 2L2
Tel.: (+1) 800-668-8400
Website: www.nilfisk.ca

CHILE

Nilfisk S.A. (Comercial KCS Ltda)
Salar de Llamara 822
8320000 Santiago
Tel.: (+56) 2684 5000
Website: www.nilfisk.cl

CHINA

Nilfisk
4189 Yindu Road
Xinzhuang Industrial Park
201108 Shanghai
Tel.: (+86) 21 3323 2000
Website: www.nilfisk.cn

CZECH REPUBLIC

Nilfisk s.r.o.
VGP Park Horní Počernice
Do Čertous 1/2658
193 00 Praha 9
Tel.: (+420) 244 090 912
Website: www.consumer.nilfisk.cz

DENMARK

Nilfisk A/S
Kornmarksvej 1
2605 Brøndby
Tel.: (+45) 4323 4050
Website: www.consumer.nilfisk.dk

FINLAND

Nilfisk Oy Ab
Koskelontie 23 E
02920 Espoo
Tel.: (+358) 207 890 600
Website: www.consumer.nilfisk.fi

FRANCE

Nilfisk SAS
26 Avenue de la Baltique
Villebon sur Yvette
91978 Courtaboeuf Cedex
Tel.: (+33) 169 59 87 24
Website: www.consumer.nilfisk.fr

GERMANY

Nilfisk GmbH
Guido-Oberdorfer-Straße 2-10
89287 Bellenberg
Tel.: (+49) (0)7306/72-444
Website: www.consumer.nilfisk.de

GREECE

Nilfisk A.E.
Αναπαύσεως 29
Κορωπί Τ.Κ. 194 00

Tel.: (30) 210 9119 600
Website: www.consumer.nilfisk.gr

HOLLAND

Nilfisk B.V.
Versterkerstraat 5
1322 AN Almere
Tel.: (+31) 036 5460760
Website: www.consumer.nilfisk.nl

HONG KONG

Nilfisk Ltd.
2001 HK Worsted Mills
Industrial Building
31-39, Wo Tong Tsui St.
Kwai Chung, N.T.
Tel.: (+852) 2427 5951
Website: www.nilfisk.com

HUNGARY

Nilfisk Kft.
II. Rákóczi Ferenc út 10
2310 Szigetszentmiklós-Lakihegy
Tel.: (+36) 24 475 550
Website: www.nilfisk.hu

INDIA

Nilfisk India Limited
Pramukh Plaza, 'B' Wing, 4th floor, Unit No. 403
Cardinal Gracious Road, Chakala
Andheri (East) Mumbai 400 099
Tel.: (+91) 22 6118 8188
Website: www.nilfisk.in

IRELAND

Nilfisk
1 Stokes Place
St. Stephen's Green
Dublin 2
Tel.: (+35) 3 12 94 38 38
Website: www.nilfisk.ie

ITALY

Nilfisk SpA
Strada Comunale della Braglia, 18
26862 Guardamiglio (LO)
Tel.: (+39) (0) 377 414021
Website: www.nilfisk.it

JAPAN

Nilfisk Inc.
1-6-6 Kita-shinyokohama, Kouhoku-ku
Yokohama, 223-0059
Tel.: (+81) 45548 2571
Website: www.nilfisk.com

MALAYSIA

Nilfisk Sdn Bhd
Sd 33, Jalan KIP 10
Taman Perindustrian KIP
Sri Damansara
52200 Kuala Lumpur
Tel.: (+603) 6275 3120
Website: www.nilfisk.com

MEXICO

Nilfisk de Mexico, S. de R.L. de C.V.
Pirineos #515 Int.
60-70 Microparque
Industrial W/Santiago
76120 Queretaro
Tel.: (+52) (442) 427 77 00
Website: www.nilfisk.com

NEW ZEALAND

Nilfisk Limited
Suite F, Building E
42 Tawa Drive
0632 Albany Auckland
Tel.: (+64) 9 414 1996
Website: www.nilfisk.com

NORWAY

Nilfisk AS
Bjørnerudveien 24
1266 Oslo
Tel.: (+47) 22 75 17 80
Website: www.consumer.nilfisk.no

PERU

Nilfisk S.A.C.
Calle Boulevard 162, Of. 703, Lima 33- Perú
Lima
Tel.: (511) 435-6840
Website: www.nilfisk.com

POLAND

Nilfisk Sp. Z.O.O.
Millenium Logistic Park
ul. 3 Maja 8, Bud. B4
05-800 Pruszków
Tel.: (+48) 22 738 3750
Website: www.consumer.nilfisk.pl

PORTUGAL

Nilfisk Lda.
Sintra Business Park
Zona Industrial Da Abrunheira
Edificio 1, 1º A
P2710-089 Sintra
Tel.: (+351) 21 911 2670
Website: www.nilfisk.pt

RUSSIA

Nilfisk LLC

Vyatskaya str. 27, bld. 7/1st
127015 Moscow
Tel.: (+7) 495 783 9602
Website: www.consumer.nilfisk.ru

SINGAPORE

Den-Sin
22 Tuas Avenue 2
639453 Singapore
Tel.: (+65) 6268 1006
Website: www.densin.com

SLOVAKIA

Nilfisk s.r.o.
Bancikovej 1/A
SK-821 03 Bratislava
Tel.: (+421) 910 222 928
Website: www.consumer.nilfisk.sk

SOUTH AFRICA

Nilfisk (Pty) Ltd
Kimbult Office Park, 9 Zeiss Road
Laser Park, Honeydew
Johannesburg
Tel.: (+27) 118014600
Website: www.nilfisk.co.za

SOUTH KOREA

Nilfisk Korea
3F Duksoo B/D, 317-15
Sungsoo-Dong 2Ga
Sungdong-Gu, Seoul
Tel.: (+82) 2497 8636
Website: www.nilfisk.co.kr

SPAIN

Nilfisk S.A.U
Paseo del Rengle, 5 Planta. 9-10
08302 Mataró
Tel.: (34) 93 741 2400
Website: www.consumer.nilfisk.es

SWEDEN

Nilfisk AB
Talljagårdsgatan 4
431 53 Mölndal
Tel.: (+46) 31 706 73 00
Website: www.consumer.nilfisk.se

SWITZERLAND

Nilfisk AG
Ringstrasse 19
Kircheberg/Industri Stelz
9500 Wil
Tel.: (+41) 71 92 38 444
Website: www.consumer.nilfisk.ch

TAIWAN

Nilfisk Ltd
Taiwan Branch (H.K)
No. 5, Wan Fang Road
Taipei
Tel.: (+88) 6227 00 22 68
Website: www.nilfisk.tw

THAILAND

Nilfisk Co., Ltd.
89 Soi Chokechai-Ruammitr
Viphavadee-Rangsit Road
Ladysao, Jatuchak, Bangkok 10900
Tel.: (+66) 2275 5630
Website: www.nilfisk.co.th

TURKEY

Nilfisk A.S.
Serifali Mh. Bayraktar Bulv. Sehit Sk. No:7
Umraniye, 34775 Istanbul
Tel.: +90 216 466 94 94
Website: www.consumer.nilfisk.com.tr

UNITED ARAB EMIRATES

Nilfisk Middle East Branch
SAIF-Zone
P.O. Box 122298
Sharjah
Tel.: (+971) (0) 655-78813
Website: www.nilfisk.com

UNITED KINGDOM

Nilfisk Ltd.
Nilfisk House, Bowerbank Way
Gilwilly Industrial Estate, Penrith
Cumbria CA11 9BQ
Tel.: (+44) (0) 1768 868995
Website: www.consumer.nilfisk.co.uk

UNITED STATES

Nilfisk Inc.
14600 21st Avenue North
Plymouth, MN-55447
Tel.: (+1) 800-989-2235
Website: www.nilfisk.com

VIETNAM

Nilfisk Vietnam
No. 51 Doc Ngu Str.
P. Vinh Phúc, Q.Ba Dinh
Hanoi
Tel.: (+84) 761 5642
Website: www.nilfisk.com